

Round Type

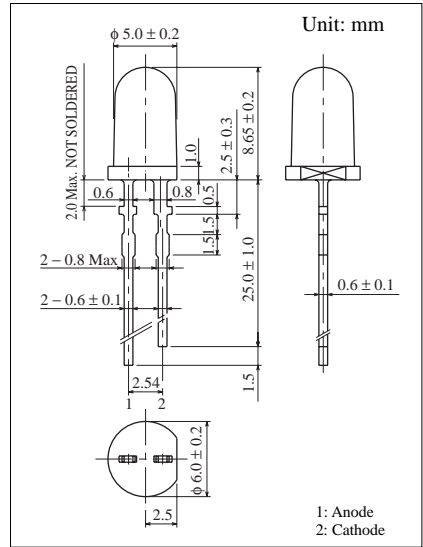
φ 5.0 mm Series

Conventional Part No.	Global Part No.	Lighting Color
LN31GPH	LNG301GFG	Green
LN31YPH	LNG301YFG	Green
LN31GCPH	LNG301MFG	Green
LN31YCPH	LNG301NFG	Green

■ Absolute Maximum Ratings ($T_a = 25^\circ\text{C}$)

Lighting Color	P_D (mW)	I_F (mA)	I_{FP} (mA)*	V_R (V)	T_{opr} ($^\circ\text{C}$)	T_{stg} ($^\circ\text{C}$)
Green	90	30	150	4	-25 ~ +80	-30 ~ +100

I_{FP} の条件は duty 10% Pulse width 1 msec. The condition of I_{FP} is duty 10%, Pulse width 1 msec



■ Electro-Optical Characteristics ($T_a = 25^\circ\text{C}$)

Conventional Part No.	Lighting Color	Lens Color	I_O		I_F	V_F		λ_P	$\Delta\lambda$	I_F	I_R	
			Typ	Min		Typ	Max				Max	V_R
LN31GPH	Green	Green Diffused	15.0	3.0	20	2.2	2.8	565	30	20	10	4
LN31YPH	Green	Yellow Diffused	25.0	10.0	20	2.2	2.8	568	30	20	10	4
LN31GCPH	Green	Green Clear	20.0	7.5	20	2.2	2.8	565	30	20	10	4
LN31YCPH	Green	Yellow Clear	56.0	22.0	20	2.2	2.8	563	30	20	10	4
Unit	—	—	mcd	mcd	mA	V	V	nm	nm	mA	μA	V

