

# MC13751

## Dual-Band Upmixer and Driver Amplifier

The MC13751 is an integrated transmit upmixer and driver amplifier designed for use in cellular phones. It includes two mixers and two RF step attenuators. The device is fabricated using Motorola's Advanced RF BiCMOS process with the SiGe:C option and is housed in a leadless QFN-24 package.

- Total Gain:
  - 22 dB for Low Band
  - 19.5 dB for High Band
- Total Current Consumption = 53 mA (Typ)
- Available in Tape and Reel, 2500 Units per 12 mm, 7 inch Reel

### DUAL-BAND UPMIXER AND DRIVER AMPLIFIER

#### SEMICONDUCTOR TECHNICAL DATA



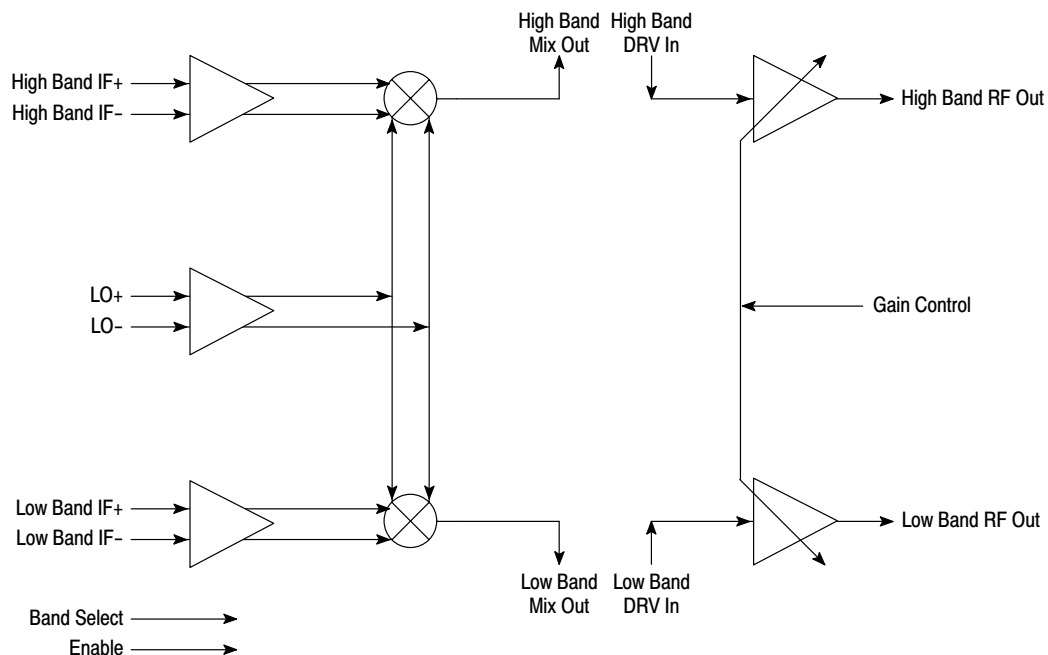
(Scale 2:1)

PLASTIC PACKAGE  
CASE 1307  
(QFN-24, Tape and Reel Only)

#### ORDERING INFORMATION

Device	Device Marking	Package
MC13751FCR2	MC751	QFN-24

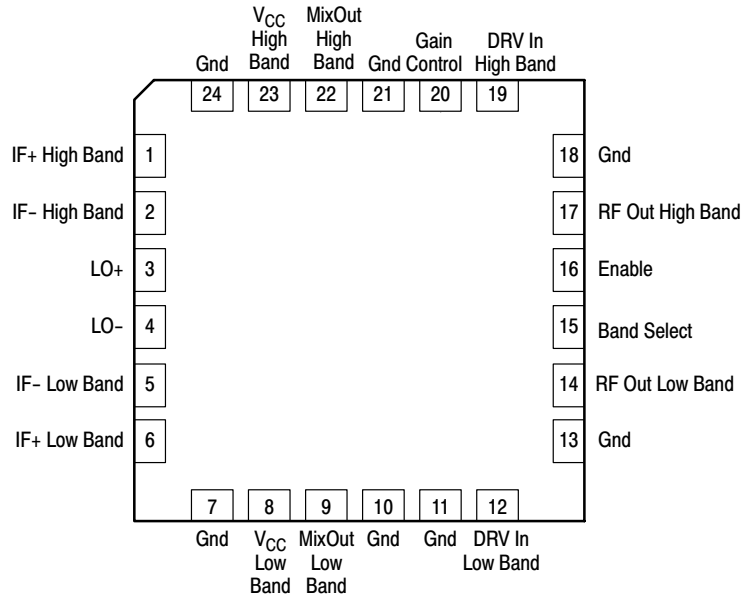
Simplified Block Diagram



This device contains 223 active transistors.

# MC13751

## CONTACT CONNECTIONS



## MAXIMUM RATINGS

Rating	Symbol	Value	Unit
Supply Voltage	V <sub>CC</sub>	3.6	V
LO Input Power		0	dBm
IF Input Level		0	dBm
Operating Temperature Range	T <sub>A</sub>	-30 to 85	°C

- NOTES:** 1. Maximum Ratings are those values beyond which damage to the device may occur. Functional operation should be restricted to the limits in the Electrical Characteristics tables.  
 2. ESD (electrostatic discharge) immunity meets Human Body Model (HBM) ≤250 V and Machine Model (MM) ≤25 V. Additional ESD data available upon request.

## DC ELECTRICAL CHARACTERISTICS

Characteristic	Symbol	Min	Typ	Max	Unit
Supply Voltage		2.7	2.78	2.86	V
Power Supply Current		–	53	64	mA
Enable					V
Inactive State		–	–	0.6	
Active State		1.6	–	–	
Band					V
800 MHz Enabled		–	–	0.6	
1900 MHz Enabled		1.6	–	–	
Power Down State Leakage Current (0.2 V Logic Levels)		–	–	25	μA
Gain Select Voltage					V
Gain High = 1		1.6	–	–	
Gain Low = 0		–	–	0.6	
Gain Select (enable and band signals current)		–	–	10	μA

# MC13751

## ELECTRICAL CHARACTERISTICS

Characteristic	Conditions	Symbol	Min	Typ	Max	Unit
IF Frequency Low Band High Band			150 150	178 213	250 250	MHz
LO Frequency Range Low Band High Band			1002 2028	– –	1029 2125	MHz
RF Frequency Range Low Band High Band			824 1850	– –	849 1910	MHz
IF Input Level, Both Bands (differential, typ –7.0 dBm)			–60	–	0	dBm
LO Input Level, Both Bands (differential)			–12	–10	–8.0	dBm
RF GMSK Output Level Both Bands Both Bands, Low Gain			10 6.0	– –	– –	dBm
RF Linear Output Level, TDMA Both Bands Both Bands, Low Gain			6.0 2.0	– –	– –	dBm
ACP @ f ±30 kHz, TDMA @ f ±60 kHz, TDMA @ f ±200 kHz, GSM @ f ±400 kHz, GSM			–32 –51 –36 –66	– – – –	– – – –	dBc
Conversion Gain Mixer Low Band High Band			6.3 6.5	8.3 8.5	10.3 10.5	dBc
Gain, Driver, High Gain Low Band High Band			11.7 9.0	13.7 11	15.7 13	dBc
Gain, Drivers, Low Gain Low Band High Band			7.7 5.0	9.7 7.0	11.7 9.0	dBc
Noise Figure Mixer (SSB) Drivers			– –	11 5.0	14 8.0	dB
IF Impedance (differential)			–	200	–	Ω
LO Impedance (differential)			–	100	–	Ω
RF Impedance (Both Bands @ Mixer (rf out, driver rf in and driver rf out))			–	50	–	Ω

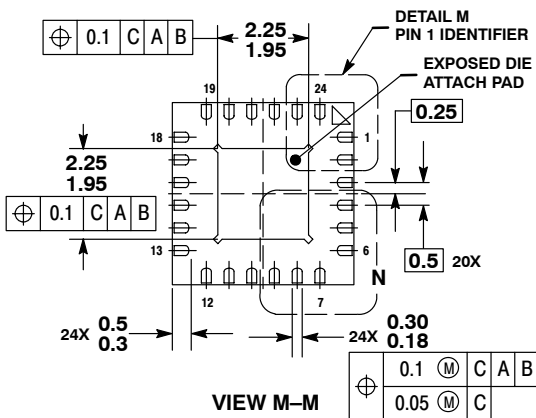
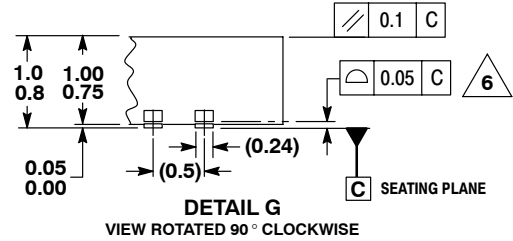
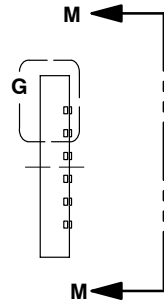
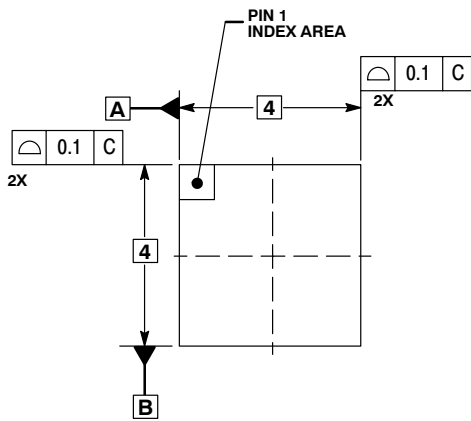
## SPURIOUS (measured with interstage filter)

Characteristic	Symbol	Min	Typ	Max	Unit
LO Leakage to RF Port (Both bands, P <sub>out</sub> = 6.0 dBm)		–	–	–20	dBc
IF Leakage to RF Port (Both bands)		–	–	–50	dBc
Image Supression (Both bands)		–	–	–20	dBc
2x Image Supression (Both bands)		–	–	–40	dBc
LO – 2x IF (Both bands)		–	–	–30	dBc
2x LO – 7x IF (Low band)		–	–	–40	dBc
5 * IF (Low band)		–	–	–80	dBc
11 * IF (Low band)		–	–	–80	dBc

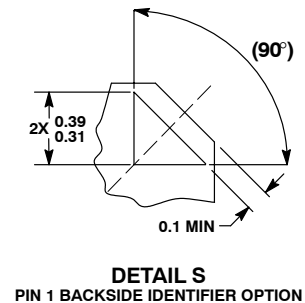
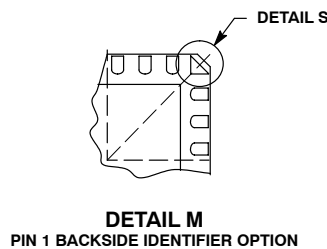
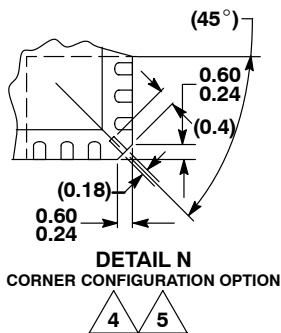
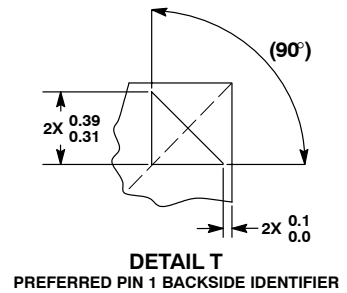
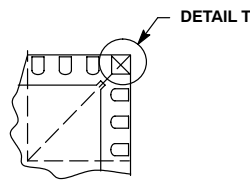
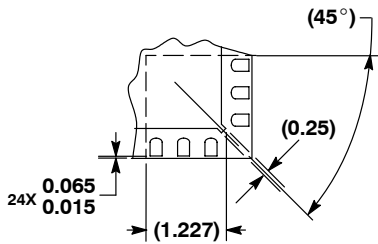
# MC13751


## OUTLINE DIMENSIONS

PLASTIC PACKAGE  
CASE 1307-01  
(QFN-24)  
ISSUE B



- NOTES:
1. ALL DIMENSIONS ARE IN MILLIMETERS.
  2. INTERPRET DIMENSIONS AND TOLERANCES PER ASME Y14.5M, 1994.
  3. THE COMPLETE JEDEC DESIGNATOR FOR THIS PACKAGE IS: HF-PQFP-N.
  4. CORNER CHAMFER MAY NOT BE PRESENT. DIMENSIONS OF OPTIONAL FEATURES ARE FOR REFERENCE ONLY.
  5. CORNER LEADS CAN BE USED FOR THERMAL OR GROUND AND ARE TIED TO THE DIE ATTACH PAD. THESE LEADS ARE NOT INCLUDED IN THE LEAD COUNT.
  6. COPLANARITY APPLIES TO LEADS, CORNER LEADS, AND DIE ATTACH PAD.
  7. FOR ANVIL SINGULATED QFN PACKAGES, MAXIMUM DRAFT ANGLE IS 12°.



Motorola reserves the right to make changes without further notice to any products herein. Motorola makes no warranty, representation or guarantee regarding the suitability of its products for any particular purpose, nor does Motorola assume any liability arising out of the application or use of any product or circuit, and specifically disclaims any and all liability, including without limitation consequential or incidental damages. "Typical" parameters which may be provided in Motorola data sheets and/or specifications can and do vary in different applications and actual performance may vary over time. All operating parameters, including "Typicals" must be validated for each customer application by customer's technical experts. Motorola does not convey any license under its patent rights nor the rights of others. Motorola products are not designed, intended, or authorized for use as components in systems intended for surgical implant into the body, or other applications intended to support or sustain life, or for any other application in which the failure of the Motorola product could create a situation where personal injury or death may occur. Should Buyer purchase or use Motorola products for any such unintended or unauthorized application, Buyer shall indemnify and hold Motorola and its officers, employees, subsidiaries, affiliates, and distributors harmless against all claims, costs, damages, and expenses, and reasonable attorney fees arising out of, directly or indirectly, any claim of personal injury or death associated with such unintended or unauthorized use, even if such claim alleges that Motorola was negligent regarding the design or manufacture of the part. Motorola, Inc. Motorola, Inc. is an Equal Opportunity/Affirmative Action Employer. MOTOROLA and the  logo are registered in the US Patent & Trademark Office. All other product or service names are the property of their respective owners.

© Motorola, Inc. 2002

**How to reach us:**

**USA/EUROPE/Locations Not Listed:** Motorola Literature Distribution;  
P.O. Box 5405, Denver, Colorado 80217. 1-303-675-2140 or 1-800-441-2447

**JAPAN:** Motorola Japan Ltd.; SPS, Technical Information Center, 3-20-1,  
Minami-Azabu, Minato-ku, Tokyo 106-8573 Japan. 81-3-3440-3569

**Technical Information Center: 1-800-521-6274**

**ASIA/PACIFIC:** Motorola Semiconductors H.K. Ltd.; Silicon Harbour Centre,  
2, Dai King Street, Tai Po Industrial Estate, Tai Po, N.T., Hong Kong.  
852-26668334

**HOME PAGE:** <http://www.motorola.com/semiconductors/>

