

QUARTZ CRYSTAL OSCILLATOR

■ GENERAL DESCRIPTION

The NJU6319 series is a C-MOS quartz crystal oscillator which contains of an oscillation amplifier, 3-stage divider and 3-state output buffer.

The oscillation frequency is as wide as up to 50MHz and the symmetry of 45-55% is realized over full oscillation frequency range.

The oscillation amplifier incorporates feed-back resistance and oscillation capacitors (Cg, Cd), therefore, it requires no external component except quartz crystal and operating voltage is correspondence of 3V.

The 3-stage divider generates f_o , $f_o/2$, $f_o/4$ and $f_o/8$ and only one frequency selected by internal circuits is output.

The 3-state output buffer is C-MOS compatible and capable of 10 LSTTL driving.

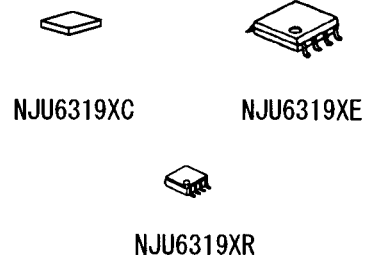
■ FEATURES

- Operating Voltage — 2.7~6.0V
- Maximum Oscillation Frequency — 50MHz
- Low Operating Current
- High Fan-out — LSTTL 10
- 3-state Output Buffer
- Selected Frequency Output (mask option)
Only one frequency out of f_o , $f_o/2$, $f_o/4$ and $f_o/8$ output
- Oscillation Capacitors Cg and Cd on-chip
- Oscillation Output Stand-by Function
- Package Outline — Chip/EMP/VSP 8
- C-MOS Technology

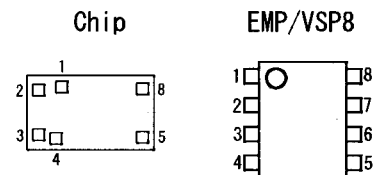
■ LINE-UP TABLE

Type No.	Output Frequency	Cg	Cd
NJU6319A	f_o	23pF	23pF
NJU6319B	$f_o/2$	23pF	23pF
NJU6319C	$f_o/4$	23pF	23pF
NJU6319D	$f_o/8$	23pF	23pF
NJU6319P	f_o	No	No

■ PACKAGE OUTLINE



■ PAD LOCATION/PIN CONFIGURATION



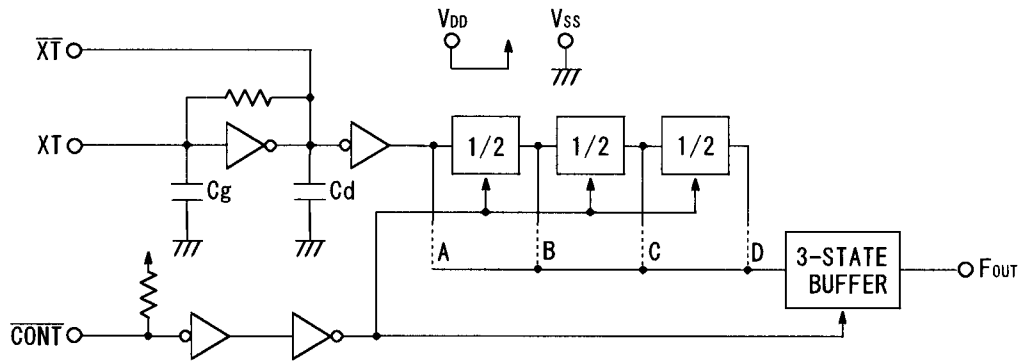
■ COORDINATES

Unit:um

No.	PAD	X	Y
1	CONT	350	655
2	XT	130	630
3	XT	140	175
4	V _{SS}	300	130
5	F _{OUT}	1185	145
6	NC	-	-
7	NC	-	-
8	V _{DD}	1185	650

Chip Size : 1.33 X 0.8mm
 Chip Thickness : 400±30um
 Note1) No. 6 and 7 terminals are only for package type information. There are no PAD on the chip.

■ BLOCK DIAGRAM



■ TERMINAL DESCRIPTION

No.	SYMBOL	F U N C T I O N
1	$\overline{\text{CONT}}$	3-State Output Control and Divider Reset
		F_{OUT}
		H or Open Output either one frequency from $f_0, f_0/2, f_0/4$ and $f_0/8$ (Note2)
		L Output High Impedance and Divider Reset
2	XT	Quartz Crystal Connecting terminals
3	$\overline{\text{XT}}$	
4	V_{SS}	GND
5	F_{OUT}	Output either one frequency from $f_0, f_0/2, f_0/4$ and $f_0/8$
8	V_{DD}	+3V/+5V

Note2) Refer to Line-Up Table.

■ ABSOLUTE MAXIMUM RATINGS

($T_a=25^\circ\text{C}$)

P A R A M E T E R	SYMBOL	R A T I N G S	UNIT
Supply Voltage	V_{DD}	-0.5 ~ +7.0	V
Input Voltage	V_{IN}	$V_{\text{SS}}-0.5 \sim V_{\text{DD}}+0.5$	V
Output Voltage	V_o	-0.5 ~ $V_{\text{DD}}+0.5$	V
Input Current	I_{IN}	± 10	mA
Output Current	I_o	± 25	mA
Power Dissipation	P_d	200 (EMP) 320 (VSP)	mW
Operating Temperature Range	T_{opr}	-40 ~ + 85	$^\circ\text{C}$
Storage Temperature Range	T_{stg}	-65 ~ +150	$^\circ\text{C}$

Note) Decoupling capacitor should be connected between V_{DD} and V_{SS} due to the stabilized operation for the circuit.

■ ELECTRICAL CHARACTERISTICS

(Ta=25°C)

PARAMETER	SYMBOL	CONDITIONS	MIN	TYP	MAX	UNIT
Operating Voltage	V _{DD}		2.7		6.0	V

 (V_{DD}=3V, Ta=25°C)

PARAMETER	SYMBOL	CONDITIONS	MIN	TYP	MAX	UNIT
Operating Current	I _{DD}	fosc=16MHz, No load Note3			8	mA
Stand-by Current	I _{st}	CONT, XT=V _{SS} , No load Note4			1	uA
Input Voltage	V _{IH}		2.7		3.0	V
	V _{IL}		0		0.3	
Output Current	I _{OH}	V _{OH} =2.7V	1			mA
	I _{OL}	V _{OL} =0.3V	1			
Input Current	I _{IN}	CONT=V _{SS}			400	uA
3-st. Offleakage Current	I _{OZ}	CONT=V _{SS} , F _{OUT} =V _{DD} or V _{SS}			±0.1	uA
Internal Capacitor	Cg, Cd	Note5		23		pF
Max. Oscillation Freq.	f _{MAX}	Note3	50			MHz
Output Signal Symmetry	SYM	C _L =15pF at 1/2V _{DD}	45	50	55	%
Output Signal Rise Time	t _r	C _L =15pF, 20%-80%			8	ns
Output Signal Fall Time	t _f	C _L =15pF, 80%-20%			8	ns

 (V_{DD}=5V, Ta=25°C)

PARAMETER	SYMBOL	CONDITIONS	MIN	TYP	MAX	UNIT
Operating Current	I _{DD}	fosc=16MHz, No load Note3			15	mA
Stand-by Current	I _{st}	CONT=XT=V _{SS} , No load Note4			1	uA
Input Voltage	V _{IH}		2.0		5.0	V
	V _{IL}		0		0.8	
Output Current	I _{OH}	V _{OH} =4.5V	4			mA
	I _{OL}	V _{OL} =0.5V	4			
Input Current	I _{IN}	CONT=V _{SS}			400	uA
3-st. Offleakage Current	I _{OZ}	CONT=V _{SS} , F _{OUT} =V _{DD} or V _{SS}			±0.1	uA
Internal Capacitor	Cg, Cd	Note5		23		pF
Max. Oscillation Freq.	f _{MAX}	Note3	50			MHz
Output Signal Symmetry	SYM	C _L =15pF at 1/2V _{DD}	45	50	55	%
Output Signal Rise Time	t _r	C _L =15pF, 20% - 80%			8	ns
Output Signal Fall Time	t _f	C _L =15pF, 80% - 20%			8	ns

Note3) Only P version is measured with external capacitors contained 18pF for Cg and 16pF for Cd.

Note4) Excluding input current on CONT terminal.

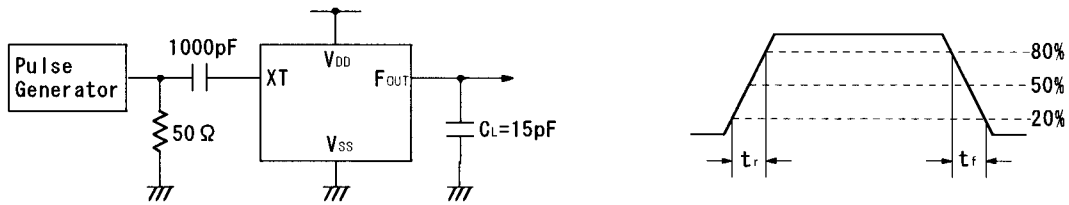
Note5) P version is not mentioned due to internal oscillation capacitors Cg and Cd separated.

MEASUREMENT CIRCUITS

(1) Output Signal Symmetry ($C_L=15\text{pF}$)



(2) Output Signal Rise/Fall Time ($C_L=15\text{pF}$)



MEMO

[CAUTION]

The specifications on this databook are only given for information, without any guarantee as regards either mistakes or omissions. The application circuits in this databook are described only to show representative usages of the product and not intended for the guarantee or permission of any right including the industrial rights.