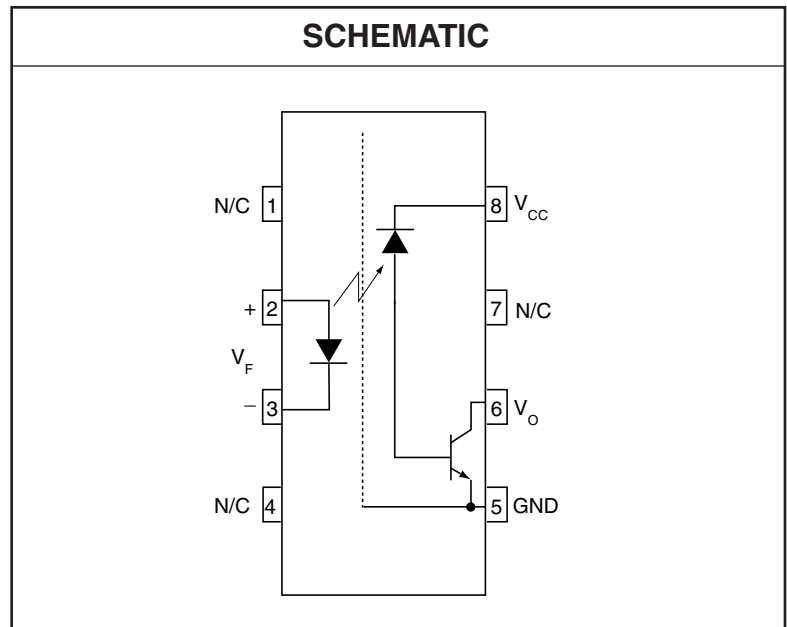
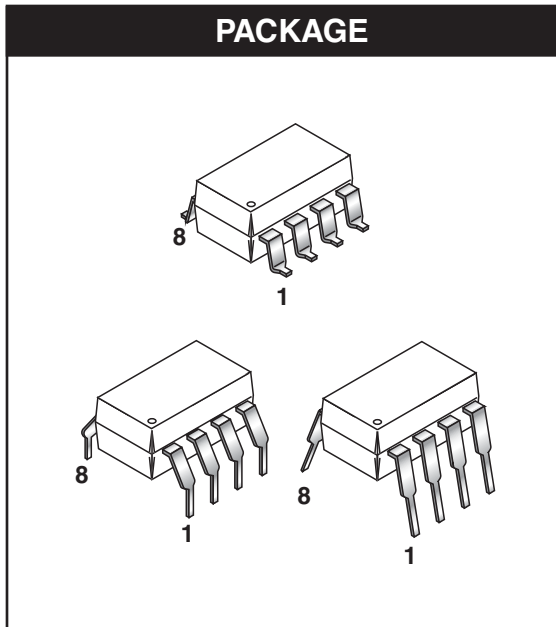


HCPL4503M



DESCRIPTION

The HCPL4503M optocoupler consists of an AlGaAs LED optically coupled to a high speed photodetector transistor.

A separate connection for the bias of the photodiode improves the speed by several orders of magnitude over conventional phototransistor optocouplers by reducing the base-collector capacitance of the input transistor. The base of the phototransistor is not bonded out to a pin for improved noise immunity.

An internal noise shield provides superior common mode rejection of 15kV/μs minimum.

FEATURES

- VISO = 5kV RMS is standard for all devices
- High speed-1 MBit/s
- Superior CMR, $CM_H = 50 \text{ kV/ms}$ (typical); $CM_L = 30 \text{ kV/ms}$ (typical)
- No base connection for improved noise immunity
- CTR guaranteed 0-70°C
- U.L. recognized (File # E90700, Vol 2)
- VDE approval pending

APPLICATIONS

- Line receivers
- Pulse transformer replacement
- Output interface to CMOS-LSTTL-TTL
- Wide bandwidth analog coupling

HCPL4503M

ABSOLUTE MAXIMUM RATINGS ($T_A = 25^\circ\text{C}$ unless otherwise specified)

Parameter	Symbol	Value	Units
Storage Temperature	T_{STG}	-40 to +125	$^\circ\text{C}$
Operating Temperature	T_{OPR}	-40 to +100	$^\circ\text{C}$
Lead Solder Temperature	T_{SOL}	260 for 10 sec	$^\circ\text{C}$
EMITTER			
DC/Average Forward Input Current	I_F (avg)	25	mA
Peak Forward Input Current (50% duty cycle, 1 ms P.W.)	I_F (pk)	50	mA
Peak Transient Input Current - ($\leq 1 \mu\text{s}$ P.W., 300 pps)	I_F (trans)	1.0	A
Reverse Input Voltage	V_R	5	V
Input Power Dissipation	P_D	100	mW
DETECTOR			
Average Output Current	I_O (avg)	8	mA
Peak Output Current	I_O (pk)	16	mA
Supply Voltage	V_{CC}	-0.5 to 30	V
Output Voltage	V_O	-0.5 to 20	V
Output power dissipation	P_D	100	mW

HCPL4503M

ELECTRICAL CHARACTERISTICS ($T_A = 0$ to 70°C Unless otherwise specified)

INDIVIDUAL COMPONENT CHARACTERISTICS

Parameter	Test Conditions	Symbol	Min	Typ**	Max	Unit
EMITTER Input Forward Voltage	($I_F = 16 \text{ mA}$, $T_A = 25^\circ\text{C}$)	V_F		1.45	1.7	V
	($I_F = 16 \text{ mA}$)				1.8	
Input Reverse Breakdown Voltage	($I_R = 10 \mu\text{A}$)	B_{VR}	5.0			V
Temperature coefficient of forward voltage	($I_F = 16 \text{ mA}$)	$(\Delta V_F / \Delta T_A)$		-1.6		mV/ $^\circ\text{C}$
DETECTOR Logic high output current	($I_F = 0 \text{ mA}$, $V_O = V_{CC} = 5.5 \text{ V}$) ($T_A = 25^\circ\text{C}$)	I_{OH}		0.001	0.5	μA
	($I_F = 0 \text{ mA}$, $V_O = V_{CC} = 15 \text{ V}$) ($T_A = 25^\circ\text{C}$)			0.005	1	
	($I_F = 0 \text{ mA}$, $V_O = V_{CC} = 15 \text{ V}$)				50	
Logic low supply current	($I_F = 16 \text{ mA}$, $V_O = \text{Open}$) ($V_{CC} = 15 \text{ V}$)	I_{CCL}		120	200	μA
Logic high supply current	($I_F = 0 \text{ mA}$, $V_O = \text{Open}$, $V_{CC} = 15 \text{ V}$) ($T_A = 25^\circ\text{C}$)	I_{CCH}			1	μA
	($I_F = 0 \text{ mA}$, $V_O = \text{Open}$) ($V_{CC} = 15 \text{ V}$)				2	

** All Typicals at $T_A = 25^\circ\text{C}$

HCPL4503M

TRANSFER CHARACTERISTICS ($T_A = 0$ to 70°C Unless otherwise specified)						
Parameter	Test Conditions	Symbol	Min	Typ**	Max	Unit
COUPLED Current transfer ratio (Note 5)	($I_F = 16\text{ mA}$, $V_O = 0.4\text{ V}$) (Note 1) ($V_{CC} = 4.5\text{ V}$, $T_A = 25^\circ\text{C}$)	CTR	19	27	50	%
	($I_F = 16\text{ mA}$, $V_{CC} = 4.5\text{ V}$, $V_{OL} = 0.5\text{ V}$)		15	30		
Logic low output voltage output voltage	($I_F = 16\text{ mA}$, $I_O = 3\text{ mA}$) ($V_{CC} = 4.5\text{ V}$, $T_A = 25^\circ\text{C}$)	V_{OL}			0.5	V
	($I_F = 16\text{ mA}$, $I_O = 2.4\text{ mA}$) ($V_{CC} = 4.5\text{ V}$)				0.5	

** All Typical at $T_A = 25^\circ\text{C}$

SWITCHING CHARACTERISTICS ($T_A = 0$ to 70°C unless otherwise specified., $V_{CC} = 5\text{ V}$)						
Parameter	Test Conditions	Symbol	Min	Typ**	Max	Unit
Propagation delay time to logic low	($R_L = 1.9\text{ k}\Omega$, $I_F = 16\text{ mA}$) (Note 2) (Fig. 7) $T_A = 25^\circ\text{C}$	T_{PHL}		0.45	0.8	μs
	($R_L = 1.9\text{ k}\Omega$, $I_F = 16\text{ mA}$) (Note 2) (Fig. 7)				1.0	μs
Propagation delay time to logic high	($R_L = 1.9\text{ k}\Omega$, $I_F = 16\text{ mA}$) (Note 2) (Fig. 7) $T_A = 25^\circ\text{C}$	T_{PLH}		0.3	0.8	μs
	($R_L = 1.9\text{ k}\Omega$, $I_F = 16\text{ mA}$) (Note 2) (Fig. 7)				1.0	μs
Common mode transient immunity at logic high	($I_F = 0\text{ mA}$, $V_{CM} = 1,500\text{ V}_{P-P}$) $T_A = 25^\circ\text{C}$, ($R_L = 1.9\text{ k}\Omega$) (Note 3) (Fig. 8)	ICM_{HI}	15,000	50,000		$\text{V}/\mu\text{s}$
Common mode transient immunity at logic low	($I_F = 16\text{ mA}$, $V_{CM} = 1,500\text{ V}_{P-P}$) ($R_L = 1.9\text{ k}\Omega$) (Note 3) (Fig. 8)	ICM_{LI}	15,000	30,000		$\text{V}/\mu\text{s}$

** All Typical at $T_A = 25^\circ\text{C}$

HCPL4503M

ISOLATION CHARACTERISTICS ($T_A = 0$ to 70°C Unless otherwise specified)

Characteristics	Test Conditions	Symbol	Min	Typ**	Max	Unit
Input-output insulation leakage current	(Relative humidity = 45%) ($T_A = 25^\circ\text{C}$, $t = 5$ s) ($V_{I-O} = 3000$ VDC) (Note 4)	I_{I-O}			1.0	μA
Withstand insulation test voltage	($RH \leq 50\%$, $T_A = 25^\circ\text{C}$) (Note 4) ($t = 1$ min.)	V_{ISO}	5,000			V_{RMS}
Resistance (input to output)	(Note 9) ($V_{I-O} = 500$ VDC)	R_{I-O}		10^{12}		Ω
Capacitance (input to output)	(Note 4) ($f = 1$ MHz)	C_{I-O}		0.6		pF

Notes

1. Current Transfer Ratio is defined as a ratio of output collector current, I_O , to the forward LED input current, I_F , times 100%.
2. The $1.9\text{ k}\Omega$ load represents 1 TTL unit load of 1.6 mA and $5.6\text{ k}\Omega$ pull-up resistor.
3. Common mode transient immunity in logic high level is the maximum tolerable (positive) dV_{cm}/dt on the leading edge of the common mode pulse signal V_{CM} , to assure that the output will remain in a logic high state (i.e., $V_O > 2.0\text{ V}$). Common mode transient immunity in logic low level is the maximum tolerable (negative) dV_{cm}/dt on the trailing edge of the common mode pulse signal, V_{CM} , to assure that the output will remain in a logic low state (i.e., $V_O < 0.8\text{ V}$).
4. Device is considered a two terminal device: Pins 1, 2, 3 and 4 are shorted together and Pins 5, 6, 7 and 8 are shorted together.

HCPL4503M

Fig. 1 Normalized CTR vs. Forward Current

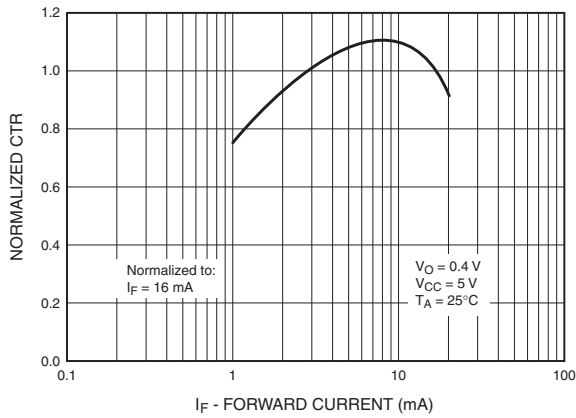


Fig. 2 Normalized CTR vs. Temperature

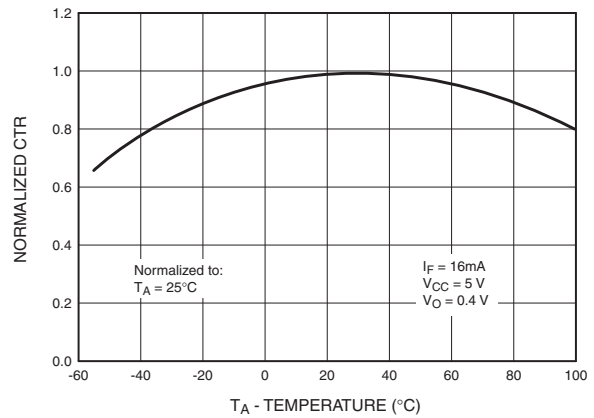


Fig. 3 Output Current vs. Output Voltage

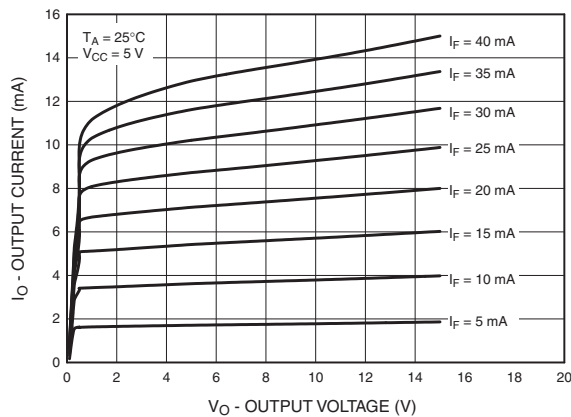


Fig. 4 Logic High Output Current vs. Temperature

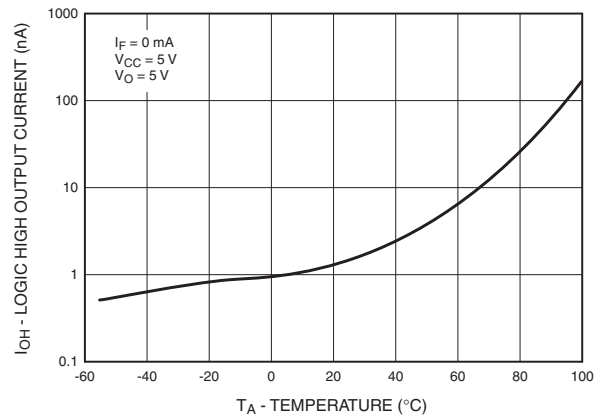


Fig. 5 Propagation Delay vs. Temperature

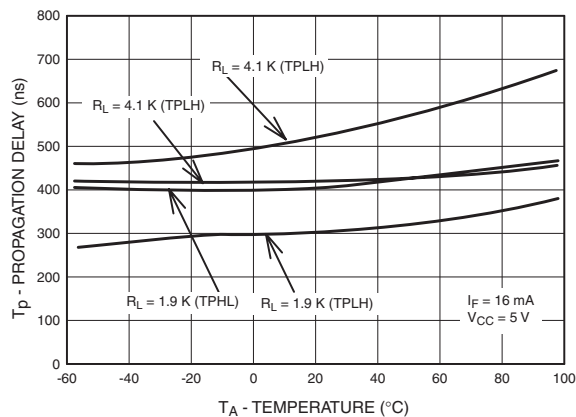
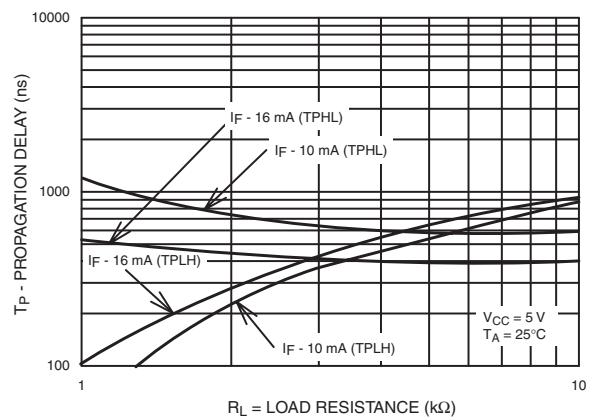


Fig. 6 Propagation Delay vs. Load Resistance



HCPL4503M

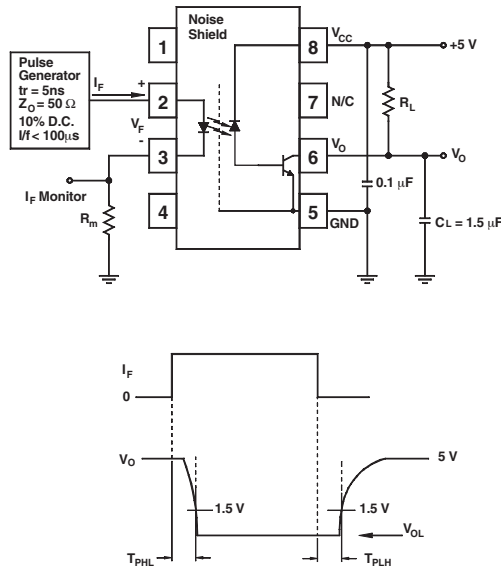


Fig. 7 Switching Time Test Circuit

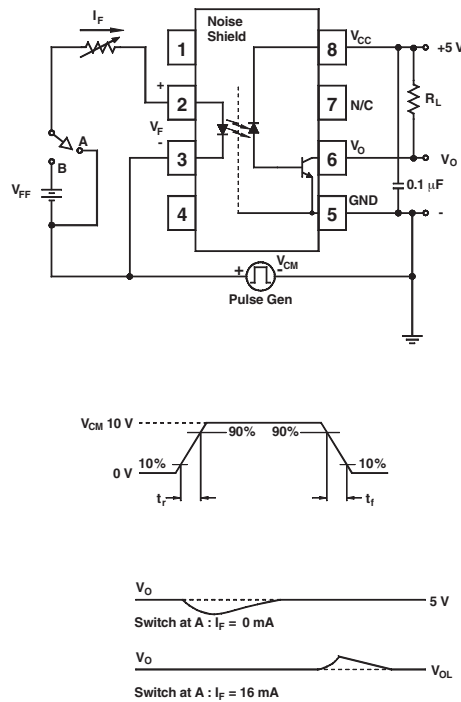
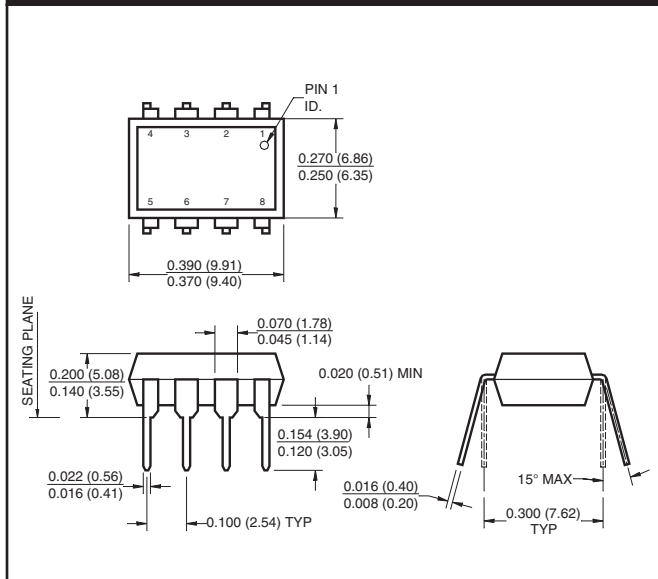


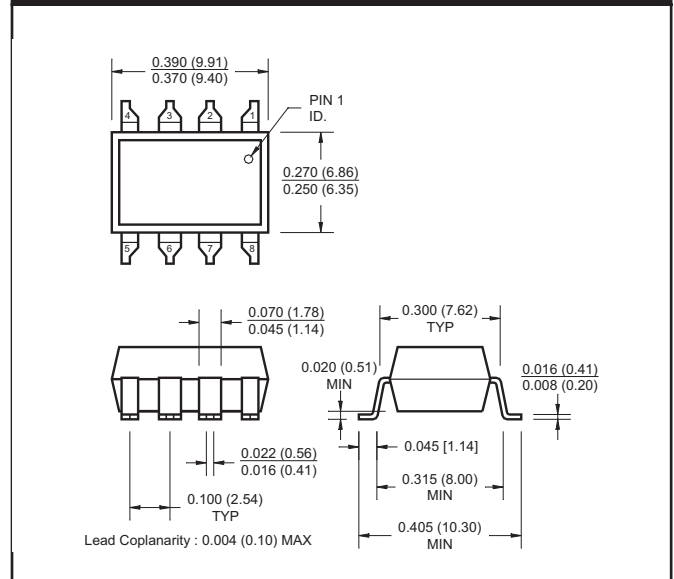
Fig. 8 Common Mode Immunity Test Circuit

HCPL4503M

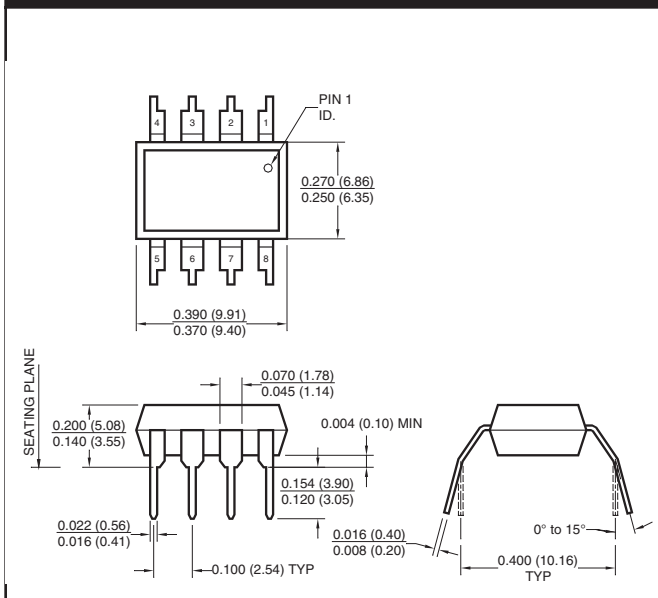
Package Dimensions (Through Hole)



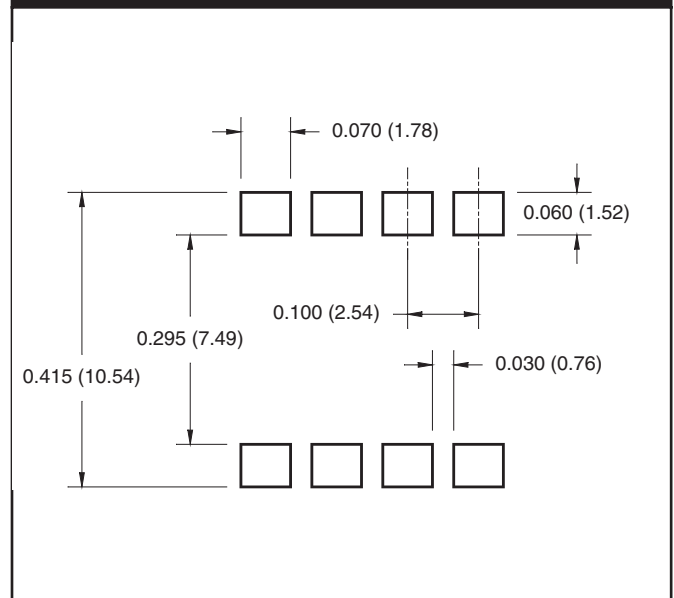
Package Dimensions (Surface Mount)



Package Dimensions (0.4" Lead Spacing)



8 - Pin Dip



NOTE

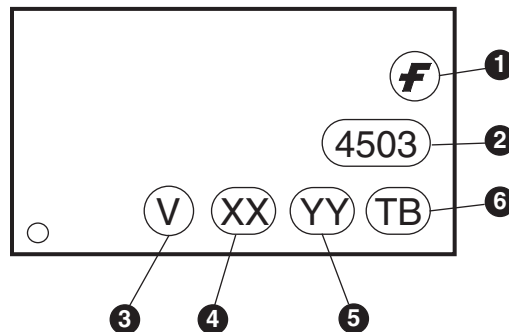
All dimensions are in inches (millimeters)

HCPL4503M

ORDERING INFORMATION

Option	Example Part Number	Description
S	HCPL4503SM	Surface Mount Lead Bend
SD	HCPL4503SDM	Surface Mount; Tape and reel (1,000 units per reel)
T	HCPL4503TM	0.4" Lead Spacing
V	HCPL4503VM	VDE0884 (approval pending)
TV	HCPL4503TVM	VDE0884 (approval pending); 0.4" lead spacing
SV	HCPL4503SVM	VDE0884 (approval pending); surface mount
SDV	HCPL4503SDVM	VDE0884 (approval pending); surface mount; tape and reel (1,000 units per reel)

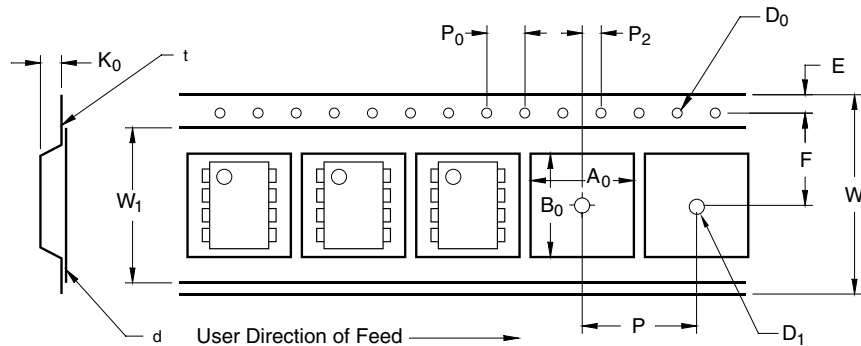
MARKING INFORMATION



Definitions	
1	Fairchild logo
2	Device number
3	VDE mark (Note: Only appears on parts ordered with VDE option – See order entry table)
4	Two digit year code, e.g., '03'
5	Two digit work week ranging from '01' to '53'
6	Assembly package code

HCPL4503M

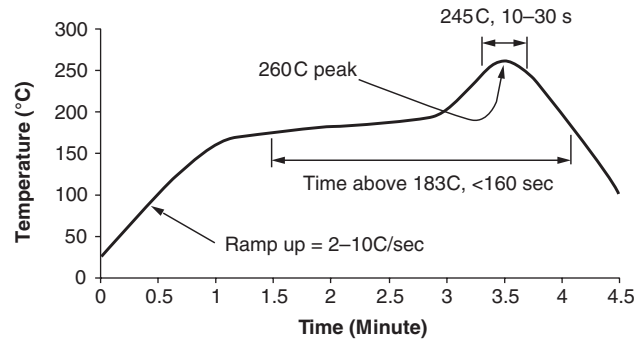
Carrier Tape Specifications



Description	Symbol	Dimension in mm
Tape Width	W	16.0 ± 0.3
Tape Thickness	t	0.30 ± 0.05
Sprocket Hole Pitch	P ₀	4.0 ± 0.1
Sprocket Hole Diameter	D ₀	1.55 ± 0.05
Sprocket Hole Location	E	1.75 ± 0.10
Pocket Location	F	7.5 ± 0.1
	P ₂	4.0 ± 0.1
Pocket Pitch	P	12.0 ± 0.1
Pocket Dimensions	A ₀	10.30 ± 0.20
	B ₀	10.30 ± 0.20
	K ₀	4.90 ± 0.20
Cover Tape Width	W ₁	1.6 ± 0.1
Cover Tape Thickness	d	0.1 max
Max. Component Rotation or Tilt		10°
Min. Bending Radius	R	30

HCPL4503M

Reflow Profile



- Peak reflow temperature: 260C (package surface temperature)
- Time of temperature higher than 183C for 160 seconds or less
- One time soldering reflow is recommended

HCPL4503M

DISCLAIMER

FAIRCHILD SEMICONDUCTOR RESERVES THE RIGHT TO MAKE CHANGES WITHOUT FURTHER NOTICE TO ANY PRODUCTS HEREIN TO IMPROVE RELIABILITY, FUNCTION OR DESIGN. FAIRCHILD DOES NOT ASSUME ANY LIABILITY ARISING OUT OF THE APPLICATION OR USE OF ANY PRODUCT OR CIRCUIT DESCRIBED HEREIN; NEITHER DOES IT CONVEY ANY LICENSE UNDER ITS PATENT RIGHTS, NOR THE RIGHTS OF OTHERS.

LIFE SUPPORT POLICY

FAIRCHILD'S PRODUCTS ARE NOT AUTHORIZED FOR USE AS CRITICAL COMPONENTS IN LIFE SUPPORT DEVICES OR SYSTEMS WITHOUT THE EXPRESS WRITTEN APPROVAL OF THE PRESIDENT OF FAIRCHILD SEMICONDUCTOR CORPORATION. As used herein:

1. Life support devices or systems are devices or systems which, (a) are intended for surgical implant into the body, or (b) support or sustain life, and (c) whose failure to perform when properly used in accordance with instructions for use provided in the labeling, can be reasonably expected to result in a significant injury of the user.
2. A critical component in any component of a life support device or system whose failure to perform can be reasonably expected to cause the failure of the life support device or system, or to affect its safety or effectiveness.