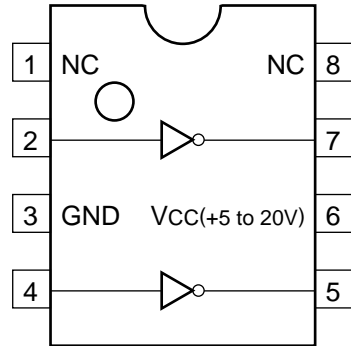

DUAL INVERTING CLOCK DRIVER
-TOP VIEW-



NOTE :

TYPE	Vcc
HD29029FP	+8 to +13V
OTHER	+5 to +20V