

Description

- Surface mount circuit protector
- Compatible with reflow and wave solder
- Excellent environmental integrity
- One time positive disconnect
- Ampere rating marked and oriented facing up in carrier
- Solder-free design provides excellent temperature cycling
- Heat and shock tolerant

| ELECTRICAL CHARACTERISTICS | |
|----------------------------|-----------------------|
| % of Amp Rating | Opening Time |
| 100% | 4 Hours Minimum |
| 250% | 10 Seconds Maximum |
| 600% | 1 millisecond typical |

Agency Information

- UL Recognition Guide & File numbers: JDYX2 & E19180.
- CSA Certification Record No: 053787 C 000 & Class No: 1422 30.

Environmental Data

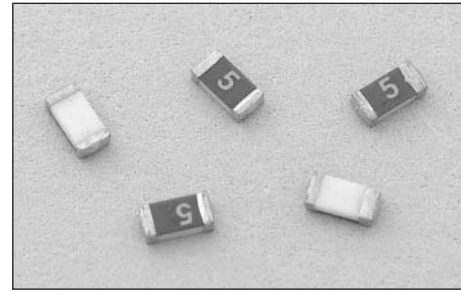
- Thermal Shock: MIL-STD-202, Method 107, Test Condition B (-65°C to 125°C)
- Vibration: MIL-STD-202, Method 204, Test Condition C (55 to 2000 Hz, 10G)
- Moisture Resistance: MIL-STD-202, Method 106, 10 day cycle
- Solderability: ANSI/J-STD-002, Test B

Soldering Method

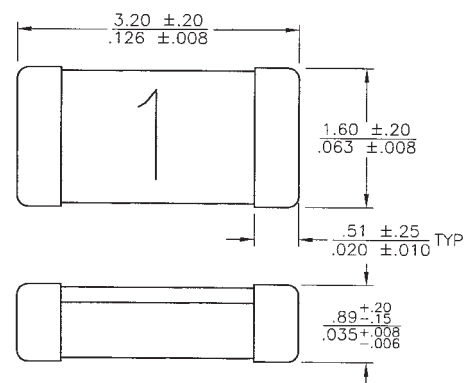
- Wave Solder: 260°C, 10 sec max.
- Infrared Reflow: 260°C, 30 sec max.

Ordering

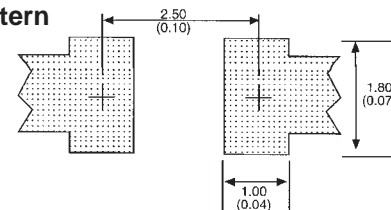
- Specify product code and packaging code



Dimensions mm/(inches)
Drawing Not to Scale



Land Pattern



SPECIFICATIONS

| Product Code | Voltage Rating (DC) | Interrupting Rating* 24V DC | Resistance (ohms)** Typ. | Typical Melt I ^{††} | Typical Voltage Drop (V)‡ |
|--------------|---------------------|-----------------------------|--------------------------|------------------------------|---------------------------|
| 3216CP-250mA | 24V | 35A | 4.50 | 0.000084 | 1.4 |
| 3216CP-375mA | 24V | 35A | 1.80 | 0.0002 | 0.73 |
| 3216CP-500mA | 24V | 35A | 1.15 | 0.0019 | 0.66 |
| 3216CP-750mA | 24V | 35A | 0.75 | 0.00095 | 0.63 |
| 3216CP-1A | 24V | 35A | 0.168 | 0.007 | 0.2 |
| 3216CP-1.5A | 24V | 35A | 0.098 | 0.029 | 0.18 |
| 3216CP-2A | 24V | 35A | 0.063 | 0.049 | 0.16 |
| 3216CP-2.5A | 24V | 35A | 0.046 | 0.112 | 0.14 |
| 3216CP-3A | 24V | 35A | 0.037 | 0.165 | 0.13 |
| 3216CP-4A | 24V | 35A | 0.019 | 0.189 | 0.11 |
| 3216CP-4.5A | 24V | 35A | 0.014 | 0.328 | 0.1 |
| 3216CP-5A | 24V | 35A | 0.013 | 0.619 | 0.09 |

* DC Interrupting Rating (Measured at designated voltage, time constant of less than 50 microseconds, battery source)

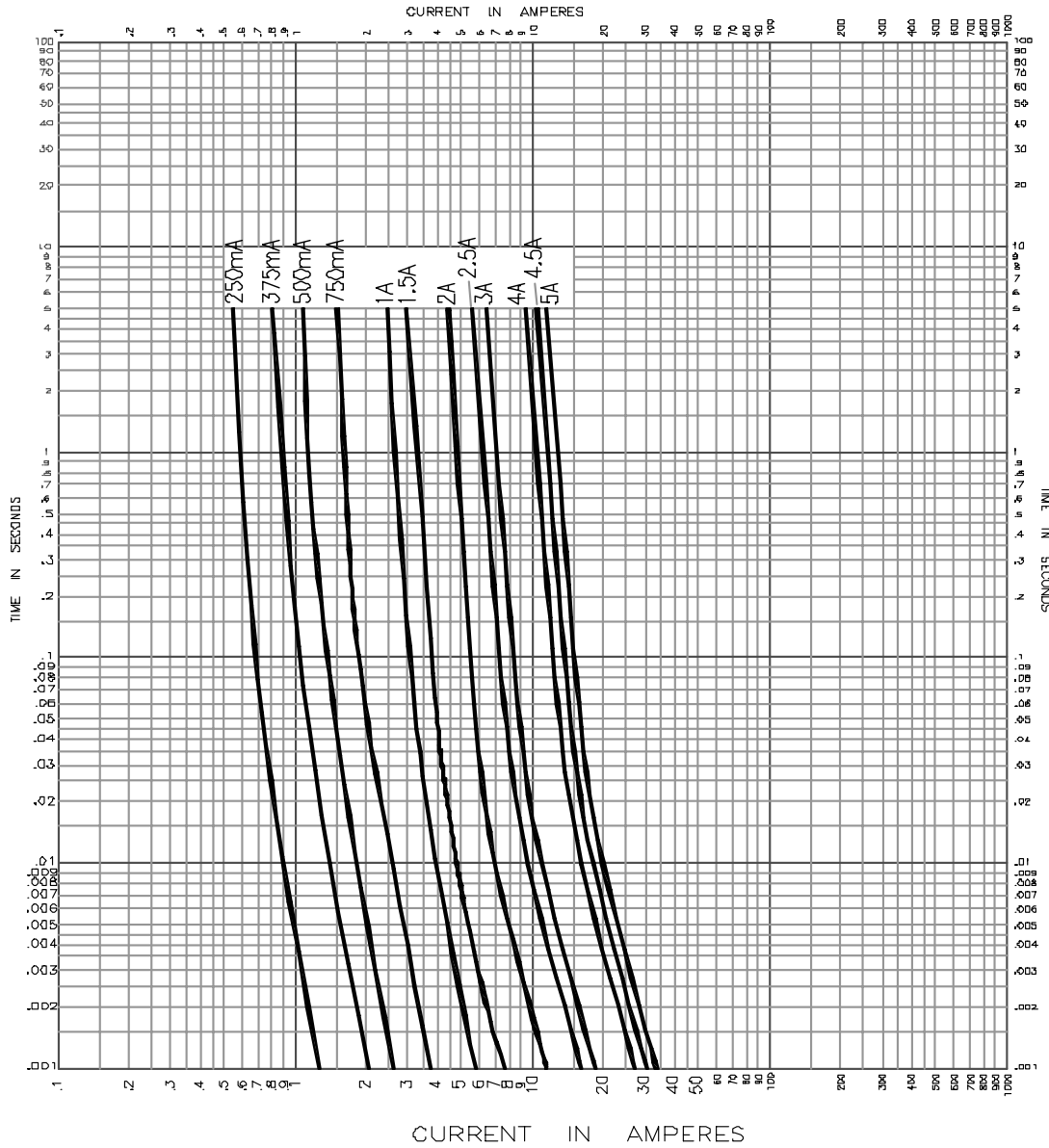
** DC Cold Resistance (Measured at 10% of rated current)

† Typical Melting I^{††} (Measured with a battery bank at rated DC voltage, 10x-rated current, time constant of calibrated circuit less than 50 microseconds)

‡ Typical Voltage Drop (Measured at rated current after temperature stabilizes)

- It is recommended that fuses be mounted with glass (blue) side facing up.
- Device designed to carry rated current for four hours minimum. An operating current of 80% or less of rated current is recommended, with further derating required at elevated ambient temperatures.

TIME CURRENT CURVE



| PACKAGING CODE | |
|----------------|--|
| Packaging Code | Description |
| SP | 50 piece sample pack |
| TR | 3,000 pieces of fuses on 8mm tape-and-reel on a 7 inch (178mm) reel per EIA Standard RS481 |

This datasheet has been downloaded from:

www.DatasheetCatalog.com

Datasheets for electronic components.