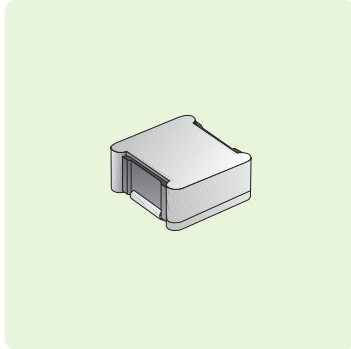




**PANASONIC type PCC-N6**

Surface mount power choke coils in a compact package with a height of only 5.7mm. The chokes have a saturation current capability of up to 25A and are available in a range of inductance values from 1.8µH to 12.5µH. Designed for use in DC/DC converters and power supplies, the devices are supplied taped and reeled.

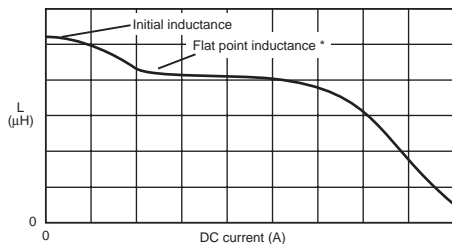


- ◆ **High power**
- ◆ Saturation current up to **25A**
- ◆ Inductance values from **1.8µH to 12.5µH**
- ◆ Low profile and compact **5.7mm high**
- ◆ Low leakage flux
- ◆ For DC/DC converters and power supplies
- ◆ Supplied taped & reeled

**Specification**

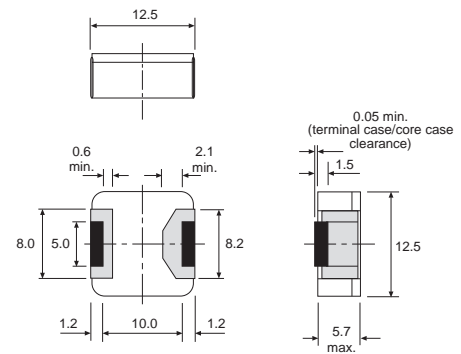
Inductance tolerance  
 ≤4.1µH ..... ±30%  
 >4.1µH ..... ±25%  
 Test frequency ..... 100kHz

**DC Bias Characteristics**



\* Point at which an increase in DC current does not equate to a decrease in inductance

**Dimensions (mm)**



Inductance (µH)		Saturation Current (A) min.		DC Resistance (mΩ) max.	Manf. Part No. & Anglia Order Code
Initial at 25°C	Flat Point at 25°C	at 25°C	at 100°C		
1.8	0.8	25.2	20.0	2.24	ETQP6F0R8LFA
1.9	1.0	19.4	15.4	2.24	ETQP6F1R0SFA
2.3	1.2	14.3	11.7	2.24	ETQP6F1R2HFA
2.5	1.3	18.6	15.8	3.3	ETQP6F1R3LFA
2.8	1.6	14.9	12.2	3.3	ETQP6F1R6SFA
3.1	2.0	15.1	12.1	4.92	ETQP6F2R0LFA
3.5	2.0	10.7	8.7	3.3	ETQP6F2R0HFA
3.6	2.5	11.3	9.3	4.92	ETQP6F2R5SFA
4.1	2.9	12.0	10.0	6.48	ETQP6F2R9LFA
4.8	3.2	8.6	7.1	4.92	ETQP6F3R2HFA
6.6	4.6	7.3	6.0	6.48	ETQP6F4R6HFA
8.3	6.4	6.2	5.2	8.64	ETQP6F6R4HFA
10.4	8.2	5.6	4.7	10.9	ETQP6F8R2HFA
12.5	10.2	4.7	4.0	13.3	ETQP6F102HFA