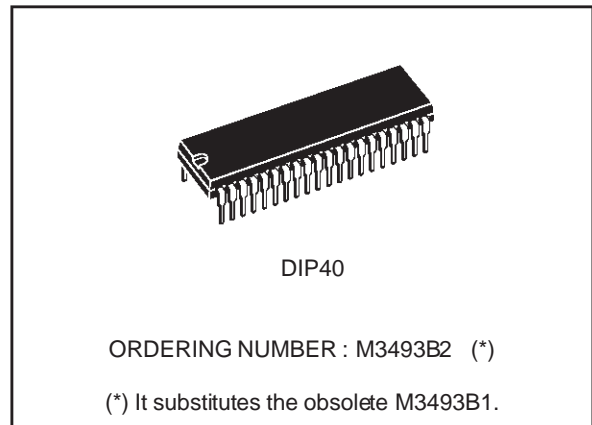




CMOS 12 X 8 CROSSPOINT WITH CONTROL MEMORY

- LOW ON RESISTANCE
(typ. 60 Ω at $V_{DD} = 10\text{ V}$)
- INTERNAL CONTROL LATCHES
- ANALOG SIGNAL SWING CAPABILITY EQUAL TO POWER SUPPLY VOLTAGE APPLIED
- LESS THAN 1 % TOTAL DISTORT. AT 0 dBm
- LESS THAN - 95 dB CROSS-TALK AT 1 KHz 1 V_{PP}
- VERY LOW POWER CONSUMPTION
- PIN-TO-PIN COMPATIBLE WITH M093



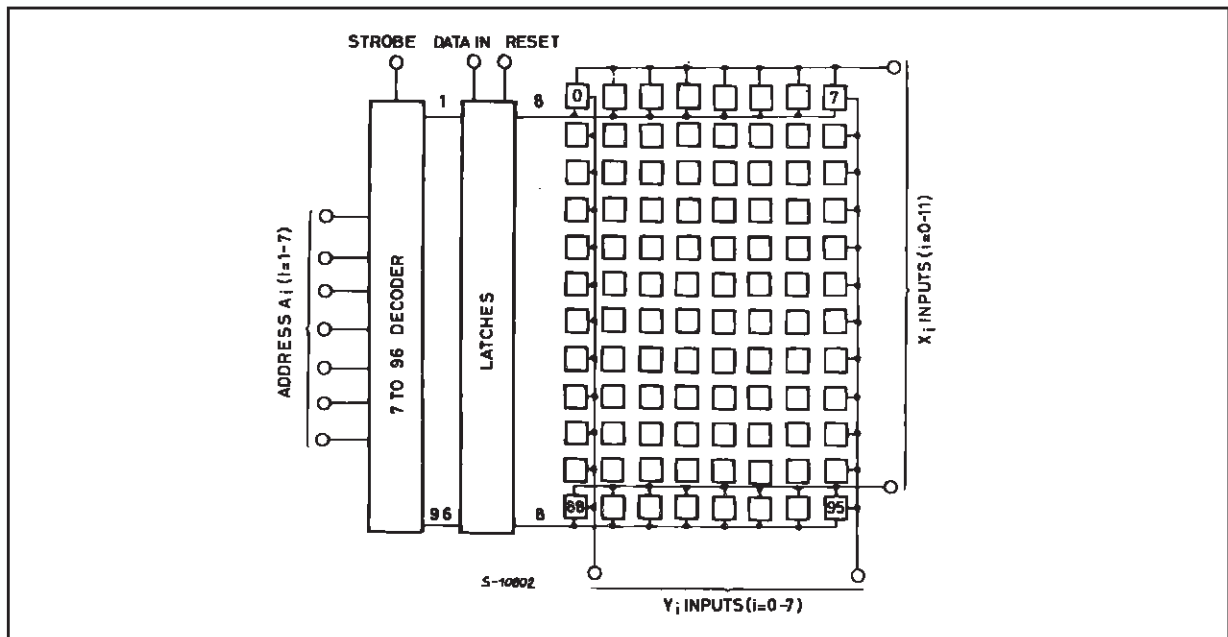
DESCRIPTION

The M3493 contains a 12 x 8 array of crosspoint together with a 7 to 96 line decoder and latch circuits. Anyone of the 96 switches can be addressed by selecting the appropriate 7 input bits. The selected switch can be turned on or off by applying a logical one or zero to the data in and the strobe input at logi-

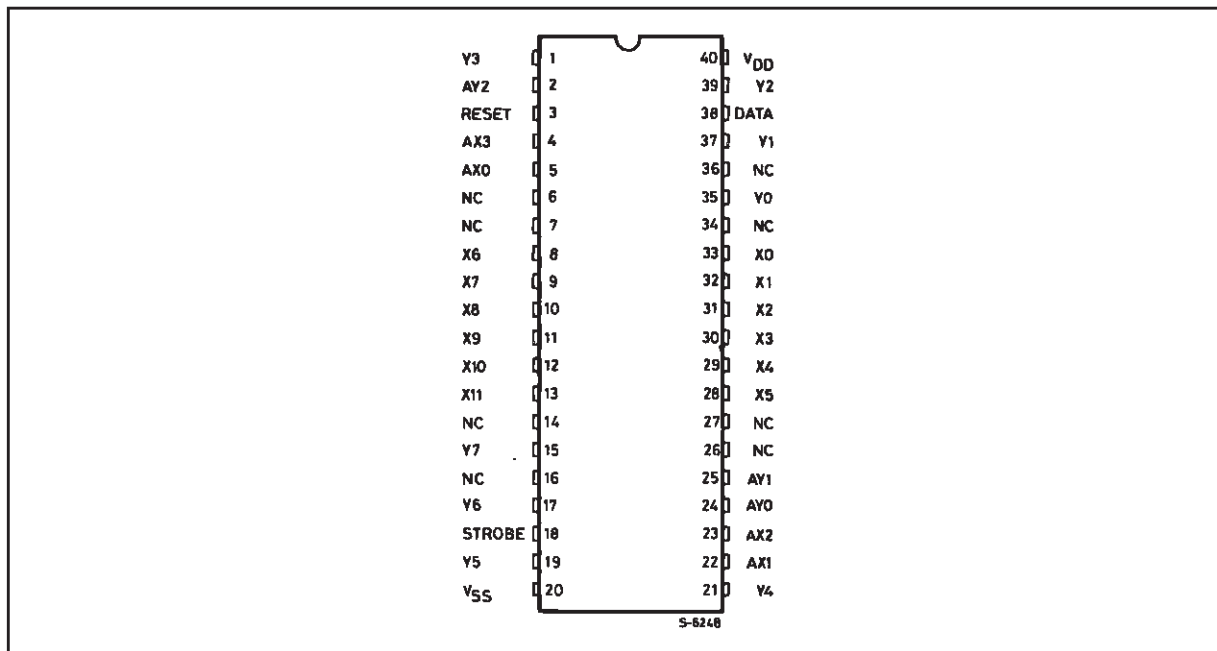
cal one. A reset signal can be used to turn off all the switches together when is switched at logical one.

M3493 is available in 40 lead dual in-line plastic package.

BLOCK DIAGRAM



PIN CONNECTION (top view)



INPUT/OUTPUT DESCRIPTION

I/O	Symbol	Pin	Description
-----	--------	-----	-------------

POWER

I	V _{DD}	40	Positive Power Supply
I	V _{SS}	20	Negative Power Supply

ADDRESS

I	AX0-AX3	4, 5, 22, 23	X Address Lines. These 4 pins are used to select one of the 12 rows of switches. Refer to the truth table for legal address.
I	AY0-AY2	2, 24, 25	Y Address Lines. These 3 pins are used to select one of the 8 columns of switches. Refer to the truth table for legal address.

CONTROL

I	DATA	38	This input determines if the selected switch will be turned on (closed) or off (opened). If the pin is held high, the selected switch will be closed. If the pin is held low, the switch will be opened.
I	STROBE	18	This pin enables whatever action is selected by the ADDRESS and DATA pins. When the STROBE pin is held low, no switch openings or closings take place. When the STROBE pin is held high, the switch addressed by the select lines will be opened or closed (depending upon the state of the DATA pin)
I	RESET	3	Master Reset. This pin turns off (opens) all 96 switches. The states of the above control lines are irrelevant. This pin is active high.

DATA

I/O	X0-X11	8-13, 28-33	Analog Input/Outputs. These pins are connected to the Y0-Y7 pins in according to the truth table.
I/O	Y0-Y7	1,15,17,19,21 35,37,39	Analog Input/Outputs. These pins are connected to the X0-X15 pins in according to the truth table.

TRUTH TABLE

Address							Connections
AX0	AX1	AX2	AX3	AY0	AY1	AY2	
0	0	0	0	0	0	0	X0 - Y0
1	0	0	0	0	0	0	X1 - Y0
0	1	0	0	0	0	0	X2 - Y0
1	1	0	0	0	0	0	X3 - Y0
0	0	1	0	0	0	0	X4 - Y0
1	0	1	0	0	0	0	X5 - Y0
0*	1	1	0	0	0	0	No connection
1*	1	1	0	0	0	0	No connection
0	0	0	1	0	0	0	X6 - Y0
1	0	0	1	0	0	0	X7 - Y0
0	1	0	1	0	0	0	X8 - Y0
1	1	0	1	0	0	0	X9 - Y0
0	0	1	1	0	0	0	X10 - Y0
1	0	1	1	0	0	0	X11 - Y0
0*	1	1	1	0	0	0	No connection
1*	1	1	1	0	0	0	No connection
0	0	0	0	1	0	0	X0 - Y1
↓	↓	↓	↓	↓	↓	↓	↓ <0> ↓
1	0	1	1	1	0	0	X11 - Y1
0	0	0	0	0	1	0	X0 - Y2
↓	↓	↓	↓	↓	↓	↓	↓ ↓
1	0	1	1	0	1	0	X11 - Y2
0	0	0	0	1	1	0	X0 - Y3
↓	↓	↓	↓	↓	↓	↓	↓ ↓
1	0	1	1	1	1	0	X11 - Y3
0	0	0	0	0	0	1	X0 - Y4
↓	↓	↓	↓	↓	↓	↓	↓ ↓
1	0	1	1	0	0	1	X11 - Y4
0	0	0	0	1	0	1	X0 - Y5
↓	↓	↓	↓	↓	↓	↓	↓ ↓
1	0	1	1	1	0	1	X11 - Y5
0	0	0	0	0	1	1	X0 - Y6
↓	↓	↓	↓	↓	↓	↓	↓ ↓
1	0	1	1	0	1	1	X11 - Y6

ABSOLUTE MAXIMUM RATINGS

Symbol	Parameter	Value	Unit
V _{DD}	DC supply Voltage	- 0.5, 14	V
V _{IN}	Input Voltage Range	- 0.5, V _{DD} + 0.5	V
P _{tot}	Power Dissipation	1	W
T _{oper}	Operating Temperature Range	0, + 70	°C
T _{stg}	Storage Temperature Range	- 50, + 125	°C

Stresses above those listed under "Absolute Maximum Ratings" may cause permanent damage to the device. This is a stress rating only and functional operation of the device at these or any other conditions in excess of those indicated in the operational sections of this specification is not implied. Exposure to absolute maximum rating conditions for extended periods may affect device reliability.

RECOMMENDED OPERATING CONDITIONS

Symbol	Parameter	Value	Unit
V _{DD}	Supply Voltage	10	V
T _{oper}	Operating Temperature	0, + 70	°C
V _{IN}	(Logic Signal)	0, V _{DD}	V

M3493B2

STATIC ELECTRICAL CHARACTERISTICS ($T_{amb} = 0$ to 70°C , $V_{DD} = 10\text{V}$, unless otherwise specified)

Symbol	Parameter	Test Conditions	Min.	Typ.	Max.	Unit
I_S	Supply Current	Reset = V_{DD}			1	mA

CROSSPOINT

	On Resistance	$V_{IDC} = 4.75\text{V}$, $V_{ODC} = 4.5\text{V}$, See Figure 1		60	100	Ω
	On Resistance Variation			10	20	Ω
	Off-leakage *	All switches off $V_{OS} = V_{IS} = 0$ to V_{DD}			± 3	μA

CONTROLS

V_{IL}					0.8	V
V_{IH}			2.4			V
	Input Leakage *	$V_{IN} = 0$ to V_{DD}			± 3	μA

* The device is guaranteed with such limits up to 70°C . At 25°C these limits become $\pm 100\text{nA}$.

DYNAMIC ELECTRICAL CHARACTERISTICS

($T_{amb} = 25^{\circ}\text{C}$, $C_L = 50\text{pF}$ all input square wave rise and fall times = 10ns , $V_{DD} = 10\text{V}$)

Symbol	Parameter	Test Conditions	Min.	Typ.	Max.	Unit	Fig.
--------	-----------	-----------------	------	------	------	------	------

CROSSPOINT

t_{PHL} , t_{PLH}	Propagation Delay Time (switch on) Signal Input to Output	$R_H = 1\text{k}\Omega$, $V_{IS} = 2V_{PP}$		30	100	ns	2
	Frequency Response (any switch on) $20 \log (V_{OS}/V_{IS}) = -3\text{dB}$	$R_H = 81\Omega$, $V_{IS} = 2V_{PP}$, $C_L = 3\text{pF}$		50		MHz	
	Sine Wave Distortion	$f_q = 1\text{kHz}$, $R_H = 0.6\text{k}\Omega$, $V_{IS} = 8V_{PP}$			1	%	
	Feed Through (any switches off)	$f_q = 10\text{kHz}$, $R_H = 1\text{k}\Omega$, $V_{IS} = 2V_{PP}$	-80			dB	3
	Frequency for Signal Crosstalk Attenuation of 40dB Attenuation of 110dB	$R_H = 1\text{k}\Omega$, $V_{IS} = 2V_{PP}$	1 5			MHz kHz	4
C	Capacitance Xn to Ground Vn to Ground Feed Through	$f_q = 1\text{MHz}$, $V_{IS} = 0.1V_{PP}$		15 15 0.4		pF	
C	Capacitance Logic Input to Ground	$f_q = 1\text{MHz}$, $V_{IS} = 0.1V_{PP}$		5		pF	

CONTROLS (t_r , $t_f = 10\text{ns}$)

t_{PSN}	Propagation Delay Time Strobe to Output (switch turn-on to high level)	$R_L = 1\text{k}\Omega$, $C_L = 50\text{pF}$		150	200	ns	5	
t_{PZH}	Data-in to Output (turn-on to high level)			150	200	ns	6	
t_{PAN}	Address to Output (turn-on to high level)			150	200	ns	7	
t_{PSF}	Propagation Delay Time Strobe to Output (switch turn-off)			150	200	ns	5	
t_{PZL}	Data-in to Output (turn-on to low level)			150	200	ns	6	
t_{PAF}	Address to Output (turn-off)			150	200	ns	7	
t_S	Set-up Time Data-in to Strobe			40		ns	5 10	
t_H	Hold Time Data-in to Strobe			120		ns	5 10	
t_O	Switching Frequency				1		MHz	
t_W	Strobe Pulse Width			100			ns	10
t_{WR}	Reset Pulse Width			150			ns	9
t_{PHZ}	Reset Turn-off to Output Delay				150	200	ns	9
t_{AS}	Address Set-up Time Address to Strobe			120			ns	10
t_{AH}	Address Hold Time Address to Strobe			120			ns	10
	Control Crosstalk Data-in, Address or Strobe to Output		Square wave input, $V_{IN} = 3\text{V}$, $R_L = 10\text{k}\Omega$		75		mV	8

TEST CIRCUITS

Figure 1 : R_{ON} Measurement.

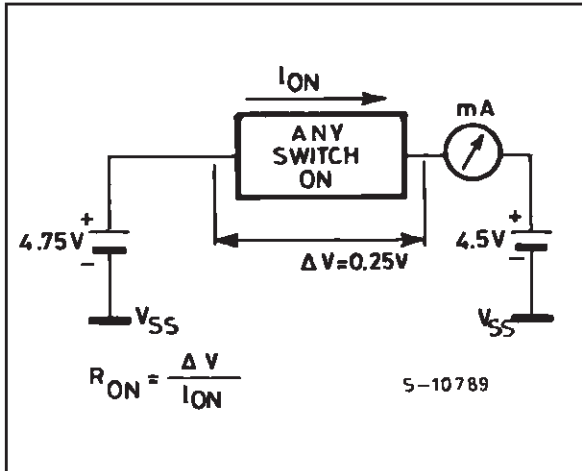


Figure 2 : Propagation Delay Time and Waveforms (signal input to signal output switch ON).

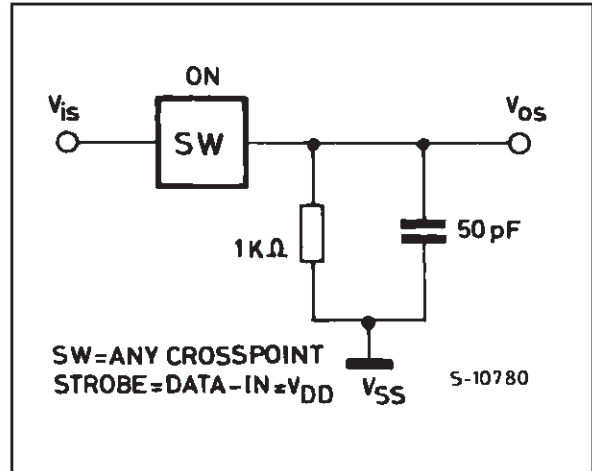


Figure 3 : Off Isolation Measurement (Feed through).

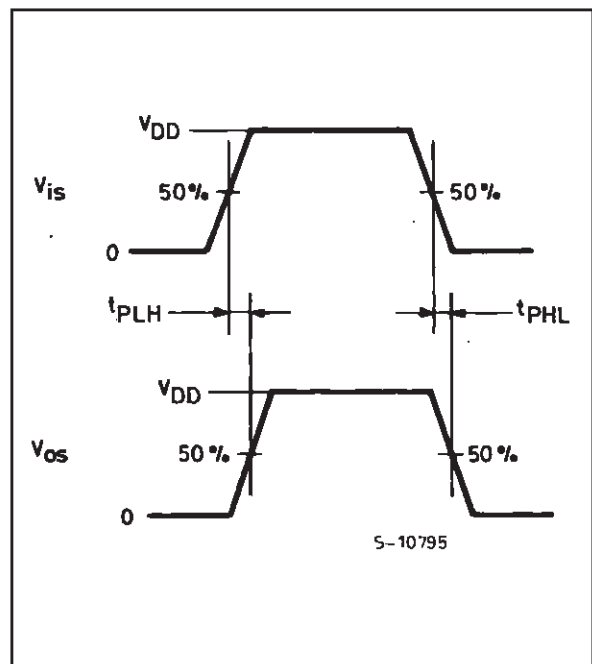
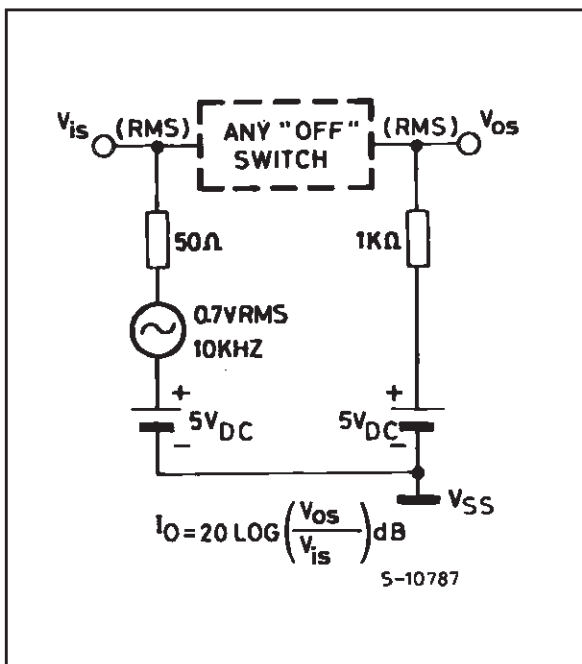


Figure 4 : Crosstalk Measurements.

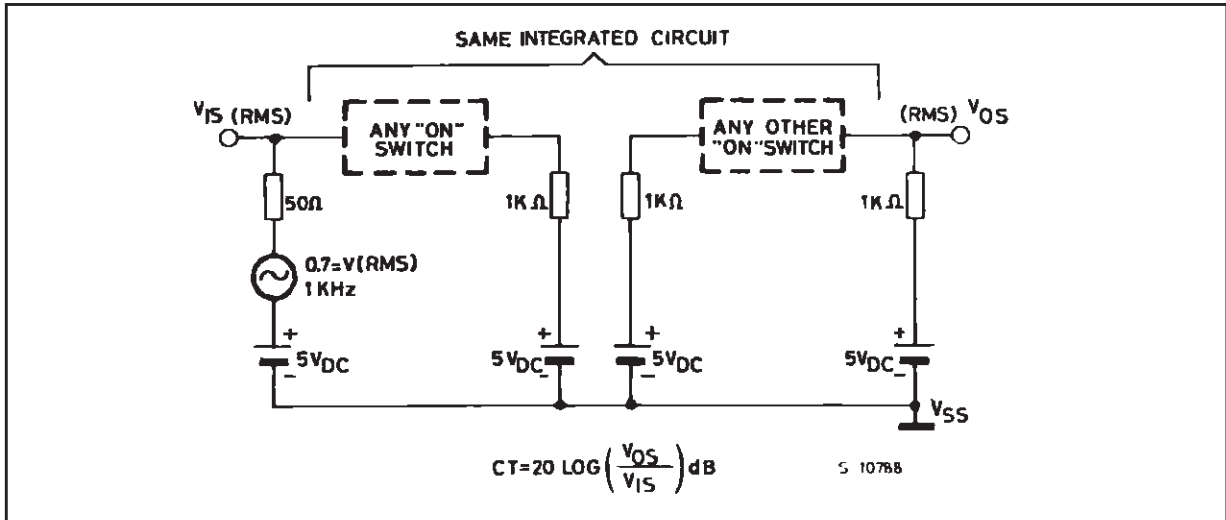


Figure 5 : Propagation Delay Time and Waveforms (strobe to signal output switch Turn-ON or Turn-OFF).

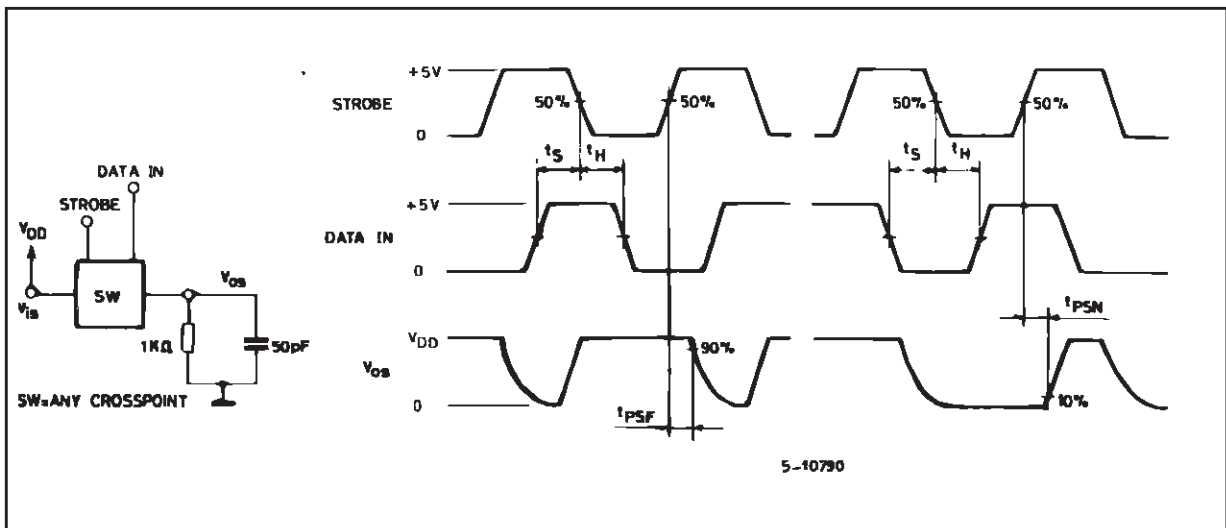


Figure 6 : Propagation Delay Time and Waveforms (data-in-signal output, switch Turn-ON to high or low level).

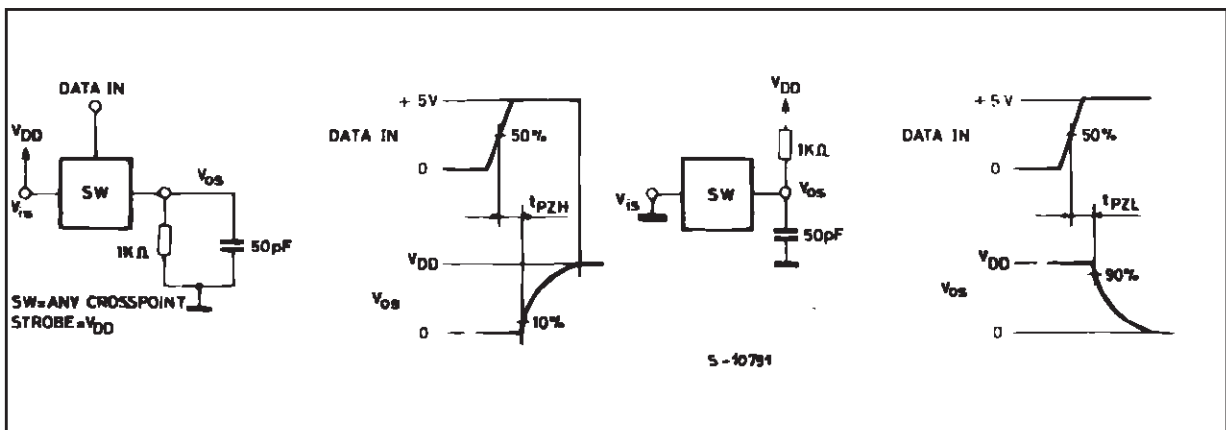


Figure 7 : Propagation Delay Time and Waveforms (address to signal output switch Turn-ON or Turn-OFF).

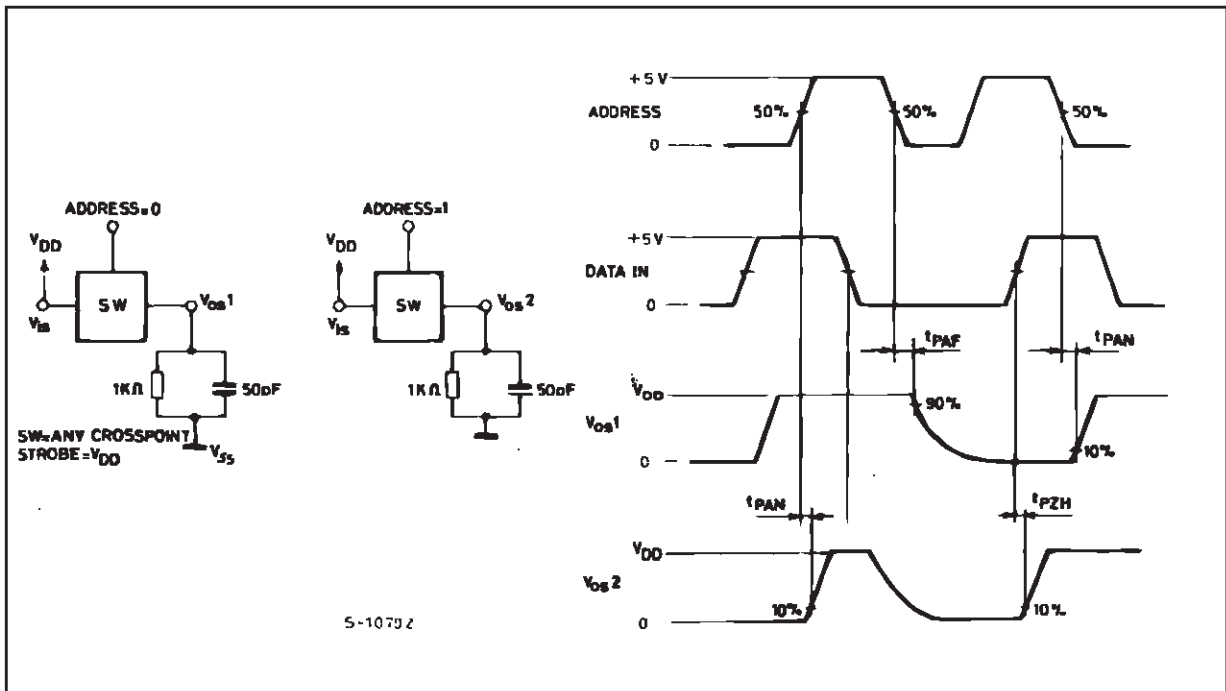


Figure 8 : Waveforms for Crosstalk (control input to signal output).

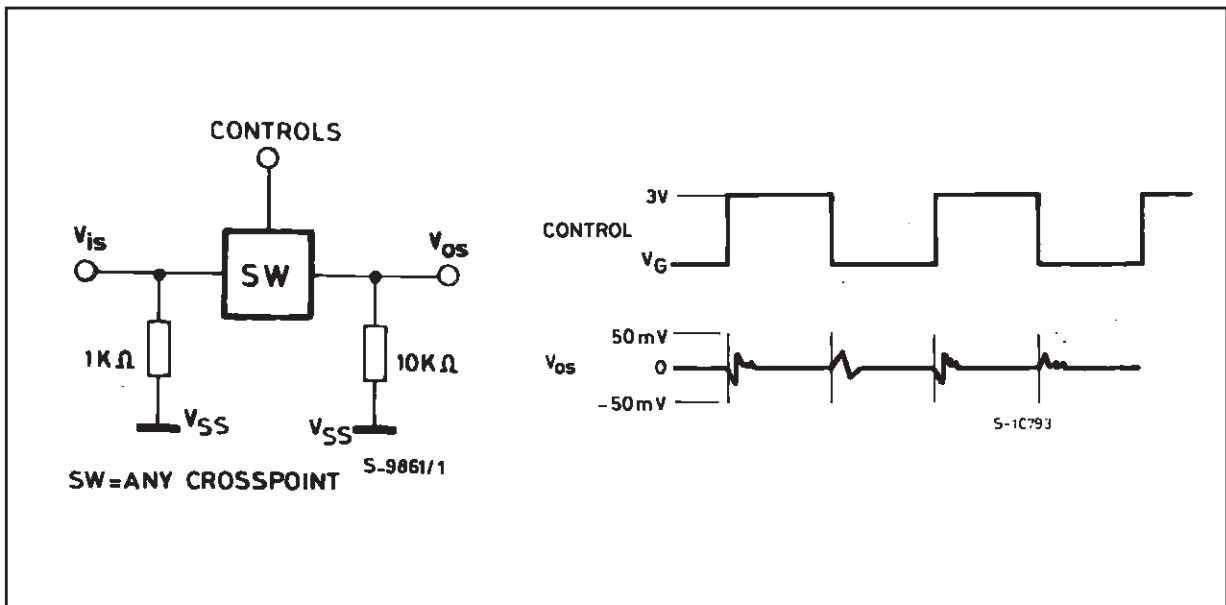


Figure 9 : Propagation Delay Time and Waveforms (reset to output delay).

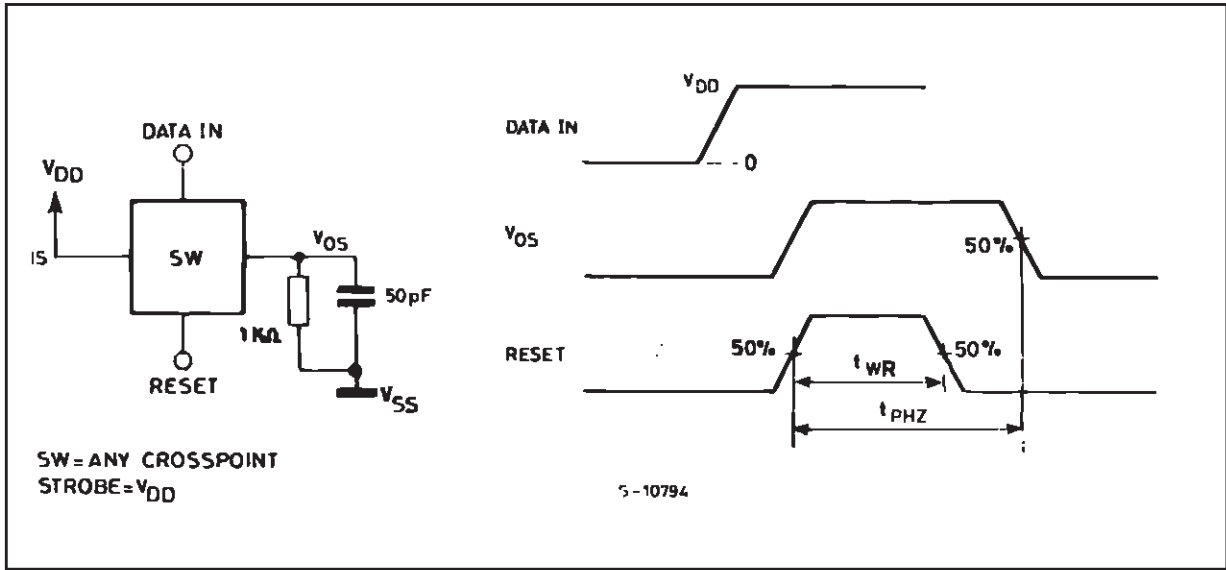


Figure 10 : Propagation Delay Time and Waveforms (Strobe and C/S to signal output switch).

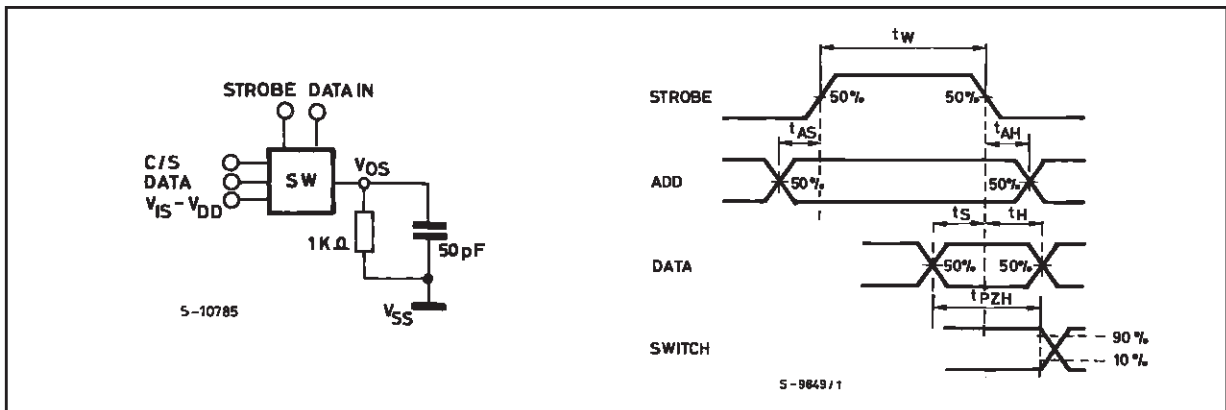


Figure 11 : Typical R_{ON} versus V_{is} .

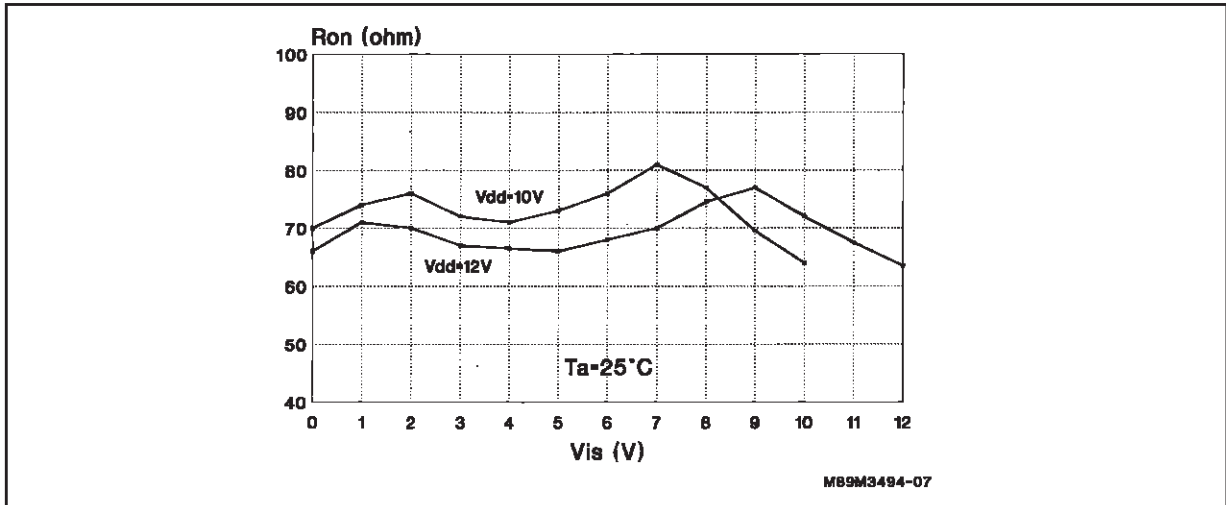


Figure 12 : Peak to Peak Voltage Capability versus Total Harmonic Distortion.

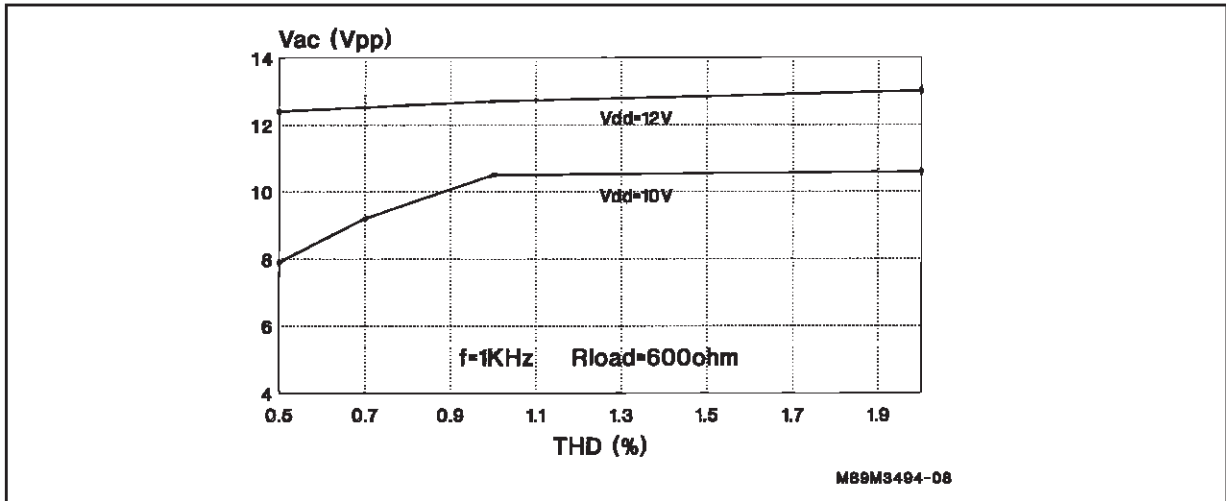
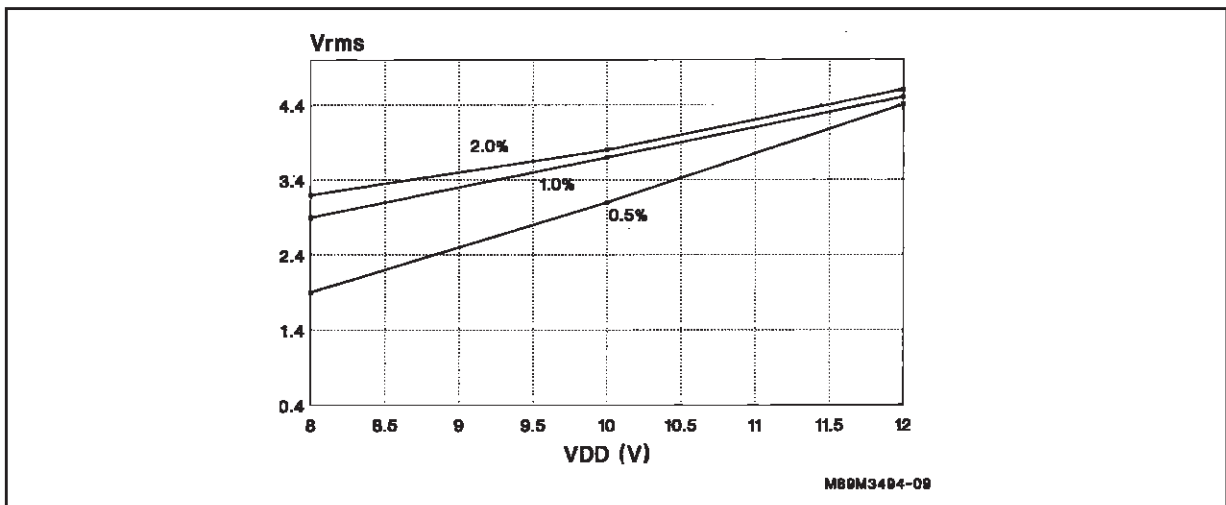


Figure 13 : V_{RMS} Capability versus V_{DD} .



TYPICAL APPLICATIONS

The figures 14, 15 and 16 show the system configuration for expanded matrices (16 x 16, 8 x 64, 32 x 32).

Figure 14 : (16 x 16 non blocking matrix).

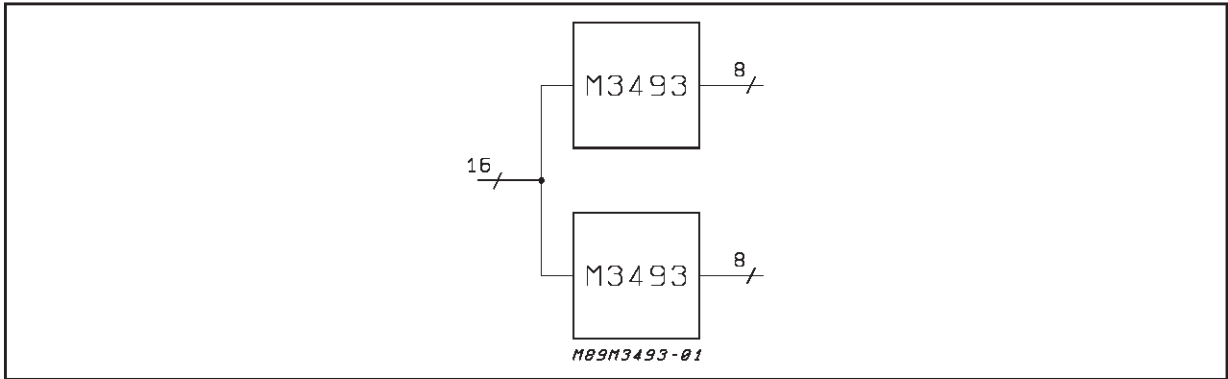


Figure 15 : (8 x 64 matrix).

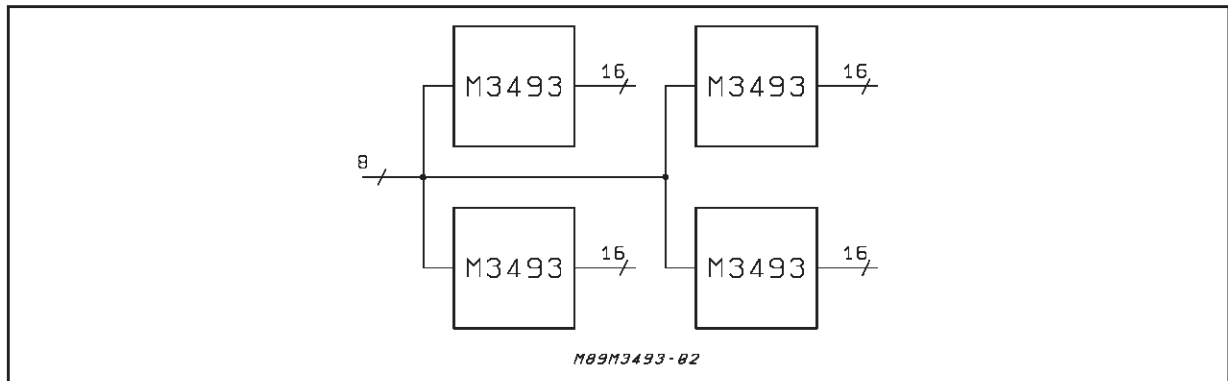
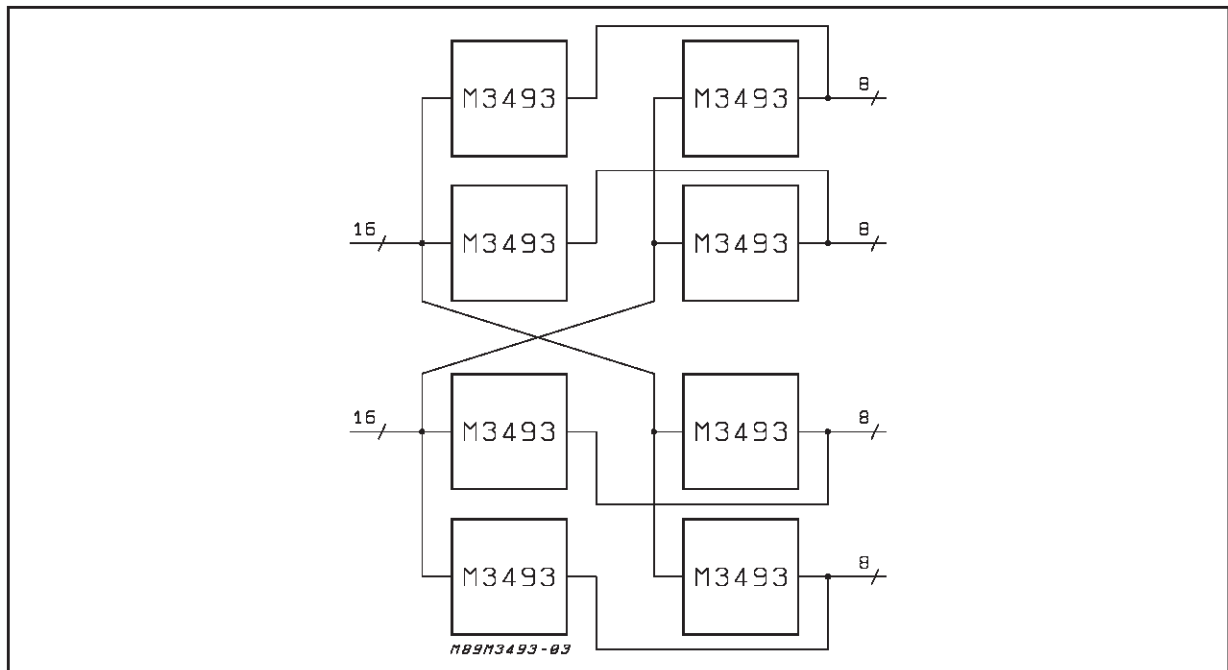
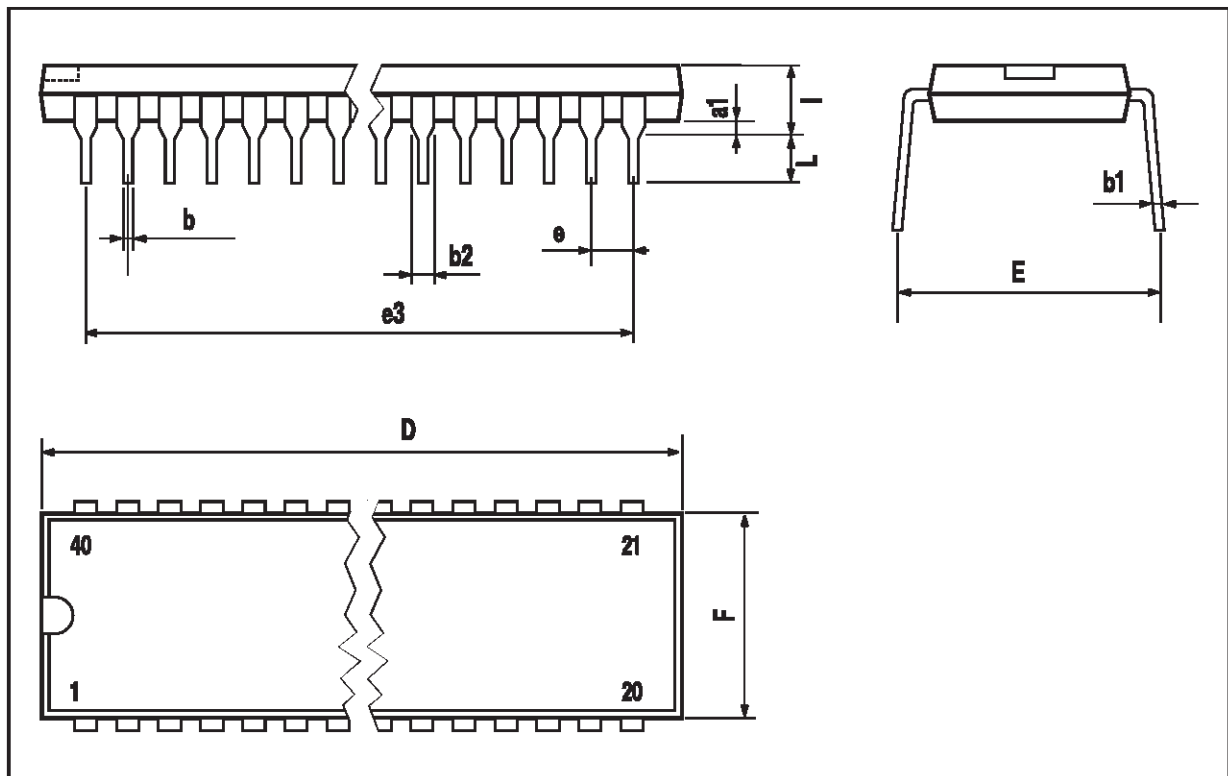


Figure 16 : (32 x 32 non blocking matrix).



DIP40 PACKAGE MECHANICAL DATA

DIM.	mm			inch		
	MIN	TYP	MAX	MIN	TYP	MAX
a1		0.63			0.025	
b		0.45			0.018	
b1	0.23		0.31	0.009		0.012
b2		1.27			0.050	
D			52.58			2.070
E	15.2		16.68	0.598		0.657
e		2.54			0.100	
e3		48.26			1.900	
F			14.1			0.555
l		4.445			0.175	
L		3.3			0.130	



Information furnished is believed to be accurate and reliable. However, STMicroelectronics assumes no responsibility for the consequences of use of such information nor for any infringement of patents or other rights of third parties which may result from its use. No license is granted by implication or otherwise under any patent or patent rights of STMicroelectronics. Specification mentioned in this publication are subject to change without notice. This publication supersedes and replaces all information previously supplied. STMicroelectronics products are not authorized for use as critical components in life support devices or systems without express written approval of STMicroelectronics.

The ST logo is a registered trademark of STMicroelectronics
© 1998 STMicroelectronics – Printed in Italy – All Rights Reserved
STMicroelectronics GROUP OF COMPANIES

Australia - Brazil - Canada - China - France - Germany - Italy - Japan - Korea - Malaysia - Malta - Mexico - Morocco - The Netherlands -
Singapore - Spain - Sweden - Switzerland - Taiwan - Thailand - United Kingdom - U.S.A.