

1.5A/3A Bus Termination Regulator

General Description

The RT9173/A regulator is designed to convert voltage supplies ranging from 1.8V to 6V into a desired output voltage which adjusted by two external resistors, voltage divider. The regulator is capable of sourcing or sinking up to 1.5A/3A of current while regulating an output voltage to within 2% or less.

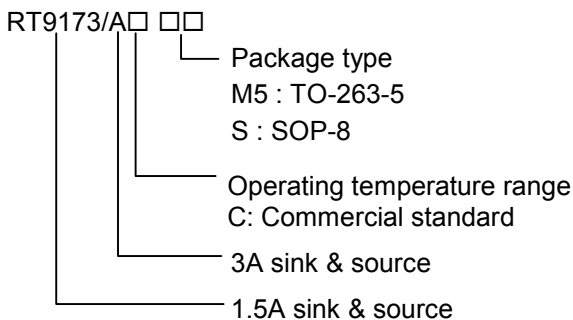
The RT9173/A, used in conjunction with series termination resistors, provides an excellent voltage source for active termination schemes of high speed transmission lines as those seen in high speed memory buses and distributed backplane designs. The voltage output of the regulator can be used as a termination voltage for DDR SDRAM.

Current limits in both sourcing and sinking mode, plus on-chip thermal shutdown make the circuit tolerant of the output fault conditions.

Applications

- Computers
- Disk Drives
- CD-ROM
- Supply Splitter
- Graph Card

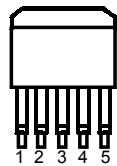
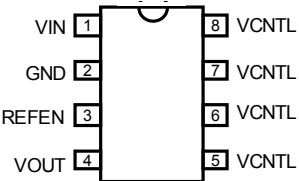
Ordering Information



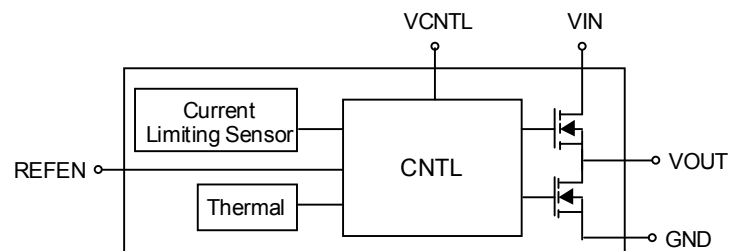
Features

- Support Both DDR 1 (1.25VTT) and DDR 2 (0.9VTT) Requirements
- Power TO-263-5 and SOP-8 Packages
- Capable of Sourcing and Sinking Current 1.5A/3A
- Current-limiting Protection
- Thermal Protection
- Integrated Power MOSFETs
- Generates Termination Voltages for SSTL-2
- High Accuracy Output Voltage at Full-load
- Adjustable VOUT by External Resistors
- Minimum External Components
- Shutdown for Standby or Suspend Mode Operation with High-impedance Output

Pin Configurations

Part Number	Pin Configurations
RT9173ACM5 (Plastic TO-263-5)	 <p>TOP VIEW</p> <ol style="list-style-type: none"> 1. VIN 2. GND 3. VCNTL (TAB) 4. REFEN 5. VOUT
RT9173CS (Plastic SOP-8)	 <p>TOP VIEW</p> <p>VIN [1] VCNTL [8] GND [2] VCNTL [7] REFEN [3] VCNTL [6] VOUT [4] VCNTL [5]</p>

Function Block Diagram



Pin Description

Pin Name	Pin Function
VIN	Power Input
GND	Ground
VCNTL	Gate Drive Voltage
REFEN	Reference Voltage Input and Chip Enable
VOUT	Output Voltage

Absolute Maximum Ratings

- Input Voltage 7V
- Power Dissipation Internally Limited
- ESD Rating 2KV
- Storage Temperature Range -65°C to 150°C
- Lead Temperature (Soldering, 5 sec.) 260°C
- Package Thermal Resistance
 - TO-263, θ_{JC} 7.7°C/W
 - TO-263, θ_{JA} 19.4°C/W
 - SOP-8, θ_{JC} 15.7°C/W
 - SOP-8, θ_{JA} ^{Note} 45°C/W

Note: θ_{JA} is measured with the component mounted on an evaluation PC board in free air that the required area of copper is 300mm² or larger.

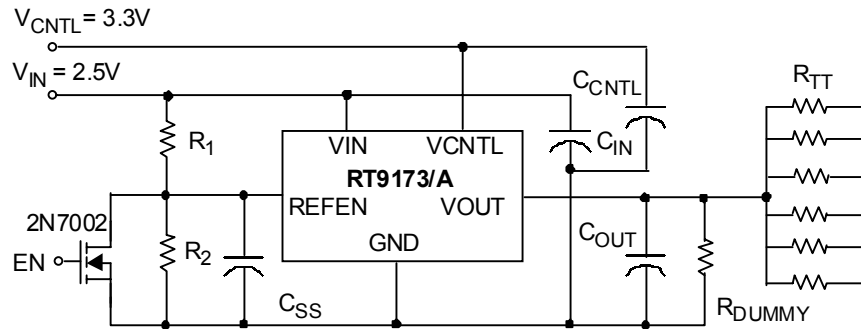
Electrical Characteristics

(Limits in standard typeface are for $T_A = 25^\circ\text{C}$, unless otherwise specified:

$V_{IN} = 2.5\text{V}$, $V_{CNTL} = 3.3\text{V}$, $V_{REFEN} = 1.25\text{V}$, $C_{OUT} = 10\mu\text{F}$ (Ceramic))

Parameter	Symbol	Test Conditions	Min	Typ	Max	Units
Output Offset Voltage	V_{OS}	Fig.1	-20	0	20	mV
Load Regulation	$ \Delta V_{LOAD} $	$I_L : 0 \rightarrow 1.5\text{A}$, Fig.1	--	0.8	2	%
		$I_L : 0\text{A} \rightarrow -1.5\text{A}$	--	0.8	2	
Input Voltage Range (DDR 1)	V_{IN}	Keep $V_{CNTL} \geq V_{IN}$ on operation power on and power off sequences	1.8	2.5	--	V
	V_{CNTL}		--	3.3	6	
Current In Shutdown Mode	I_{SHDN}	$V_{REFEN} < 0.2\text{V}$, $R_L = 180\Omega$, Fig.2	--	50	90	μA
Short Circuit Protection						
Current limit	RT9173	I_{LIMIT}	Fig.3,4	2.1	--	A
	RT9173A		Fig.3,4	3.0	--	
Over Temperature Protection						
Thermal Shutdown Temperature	T_{SD}	$3.3\text{V} \leq V_{CNTL} \leq 5\text{V}$	125	150	--	$^\circ\text{C}$
Thermal Shutdown Hysteresis		Guaranteed by design	--	50	--	$^\circ\text{C}$
Shutdown Function						
Shutdown Threshold Trigger		Output = High, Fig.5	0.8	--	--	V
		Output = Low, Fig.5	--	--	0.2	

Typical Application Circuit



$R_1 = R_2 = 100\text{k}\Omega$, $R_{TT} = 50\Omega / 33\Omega / 25\Omega$
 $C_{OUT, \text{min}} = 10\mu\text{F}$ (Ceramic) + $1000\mu\text{F}$ under the worst case testing condition
 $R_{DUMMY} = 1\text{k}\Omega$ as for VOUT discharge when VIN is not present but VCNTL is present
 $C_{SS} = 1\mu\text{F}$, $C_{IN} = 470\mu\text{F}$ (Low ESR), $C_{CNTL} = 47\mu\text{F}$

Test Circuit

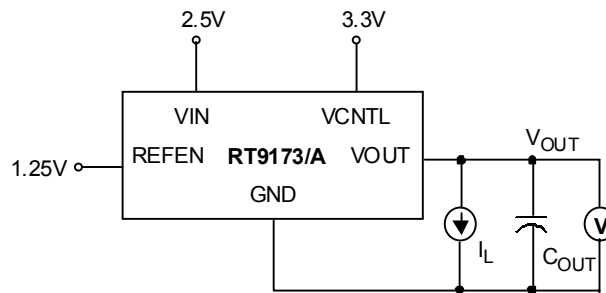


Fig.1 Output Voltage Tolerance, ΔV_{OUT}

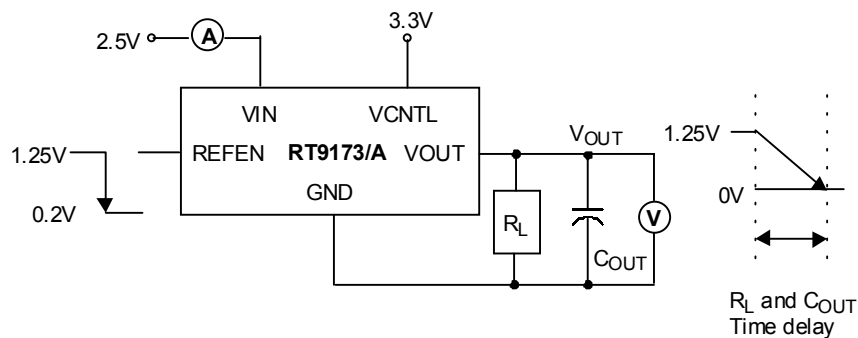


Fig.2 Current in Shutdown Mode, I_{SHCLN}

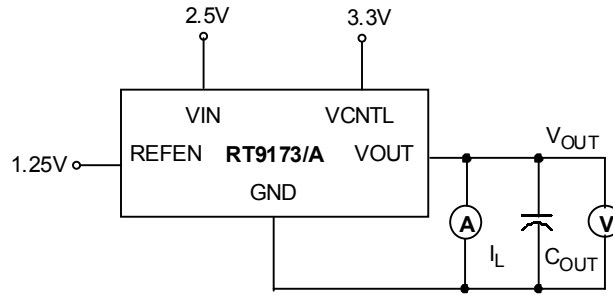


Fig.3 Current Limit for High Side, I_{CLHIGH}

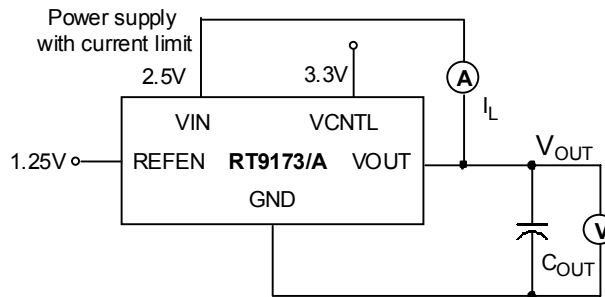


Fig.4 Current Limit for Low Side, I_{CLLOW}

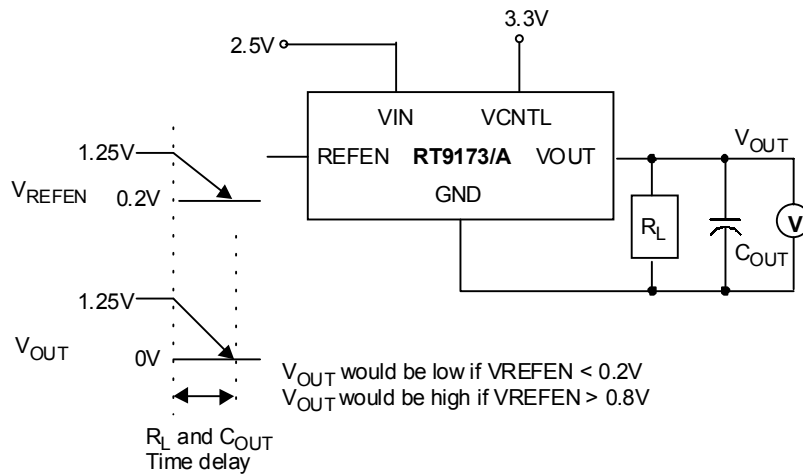
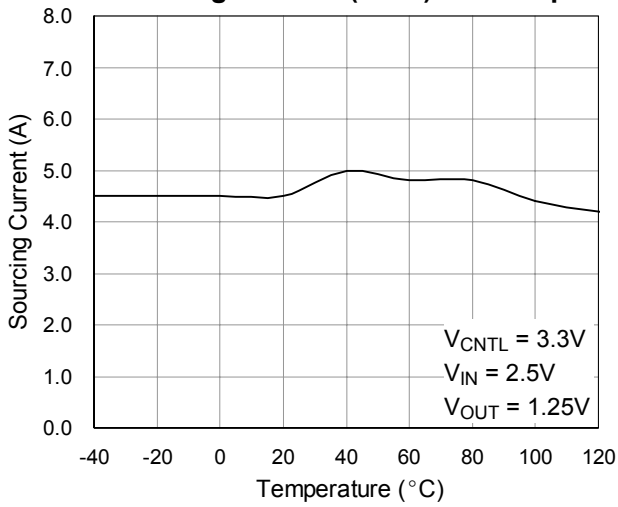


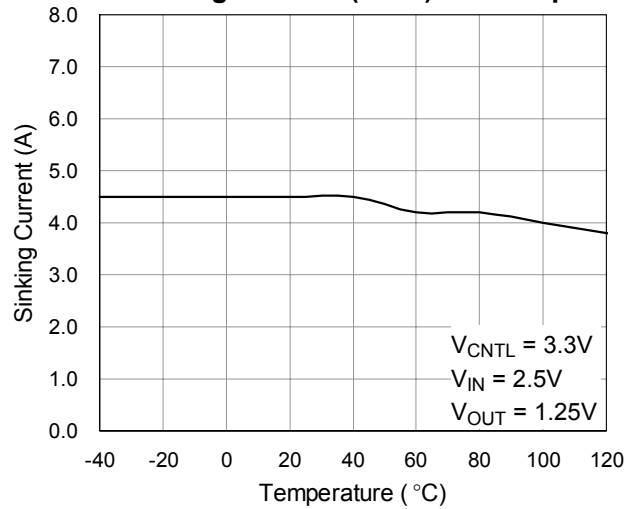
Fig.5 REFEN Pin Shutdown Threshold, $V_{TRIGGER}$

Typical Operating Characteristics

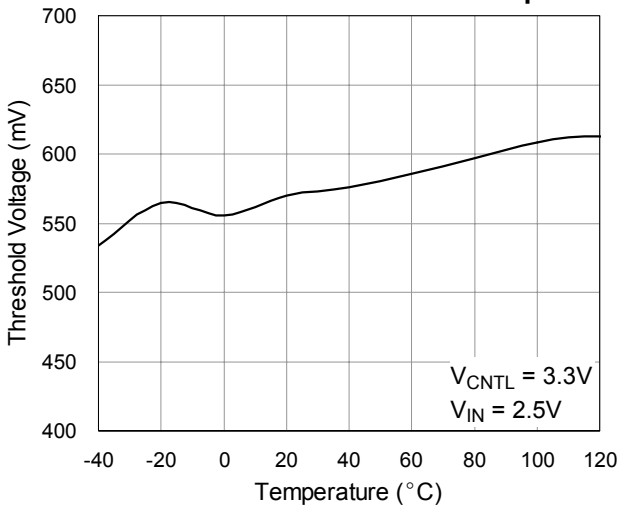
Sourcing Current (Peak) vs. Temp.



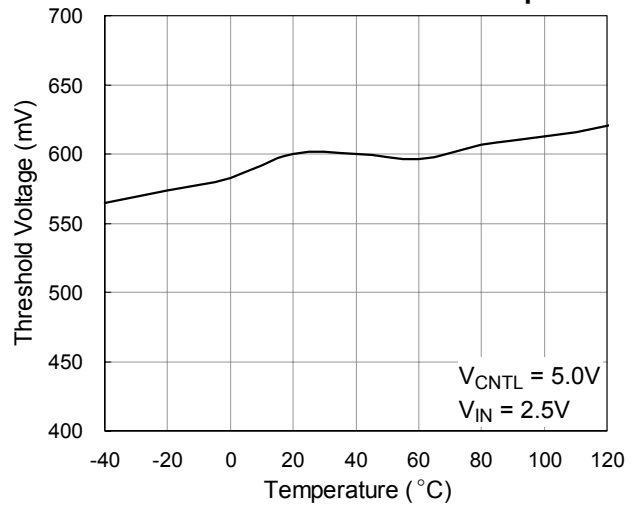
Sinking Current (Peak) vs. Temp.



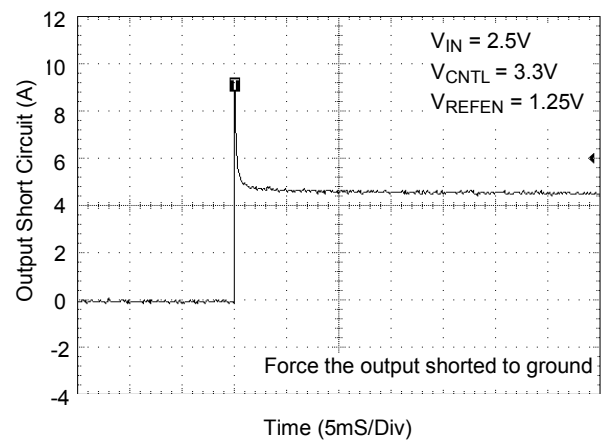
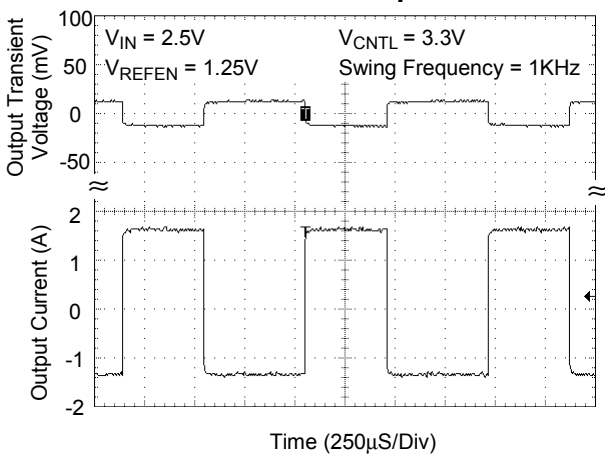
Turn-On Threshold vs. Temp.



Turn-On Threshold vs. Temp.



Transient Response



Applications Information

Internal parasitic diode

Avoid forward-bias internal parasitic diode, VOUT to VCNTL, and VOUT to VIN, the VOUT should not be forced some voltage respect to ground on this pin while the VCNTL or VIN is disappeared.

Consideration while designs the resistance of voltage divider

Make sure the sinking current capability of pull-down NMOS if the lower resistance was chosen so that the voltage on REFEN is below 0.2V.

In addition to item 1, the capacitor and voltage divider form the low-pass filter. There are two reasons doing this design; one is for output voltage soft-start while another is for noise immunity.

How to reduce power dissipation on Notebook PC or the dual channel DDR SDRAM application?

In notebook application, using RichTek's Patent "Distributed Bus Terminator Topology" with choosing RichTek's product is encouraged.

Thermal Consideration

RT9173/A regulators have internal thermal limiting circuitry designed to protect the device during overload conditions. For continuous normal load conditions however, the maximum junction temperature rating of 125°C must not be exceeded.

Higher continuous currents or ambient temperature require additional heatsinking. Heat sinking to the IC package must consider the worst case power dissipation which may occur.

It should also be note that with the VCNTL equal to 5V, the point of thermal shutdown will be degraded by approx. 20°C compared to the VCNTL equipped with 3.3V. It is highly recommended that to use the 3.3V rail acted as the VCNTL so as to minimize the thermal concern of the RT9173CS in the SOP-8 package.

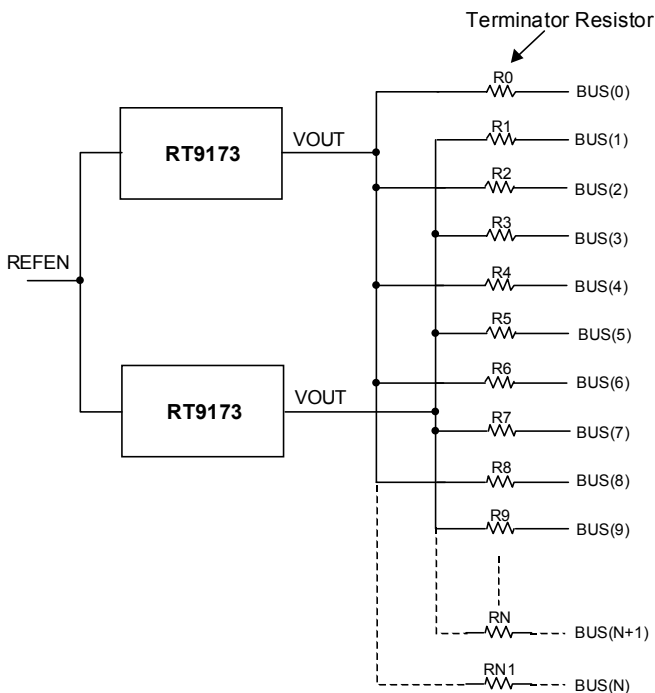
Layout Consideration

The RT9173CS regulator is packaged in plastic SOP-8 package. This small footprint package is unable to convectively dissipate the heat generated when the regulator is operating at high current levels. In order to control die operating temperatures, the PC board layout should allow for maximum possible copper area at the VCNTL pins of the RT9173CS.

The multiple VCNTL pins on the SOP-8 package are internally connected, but lowest thermal resistance will result if these pins are tightly connected on the PC board. This will also aid heat dissipation at high power levels.

If the large copper around the IC is unavailable, a buried layer may be used as a heat spreader, Use vias to conduct the heat into the buried or backside of PCB layer. The vias should be small enough to retain solder when the board is wave-soldered. (See Fig.6 shown on next page).

Distributed Bus Terminating Topology



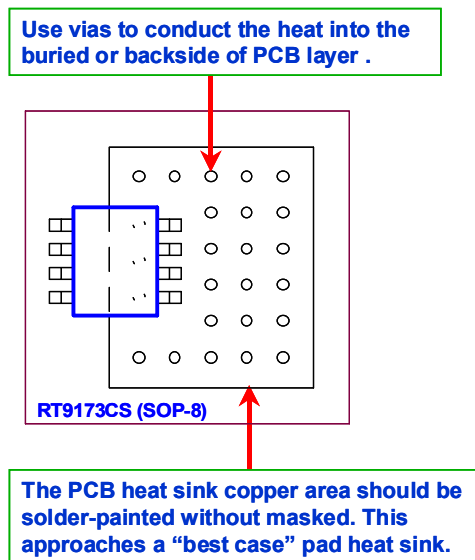
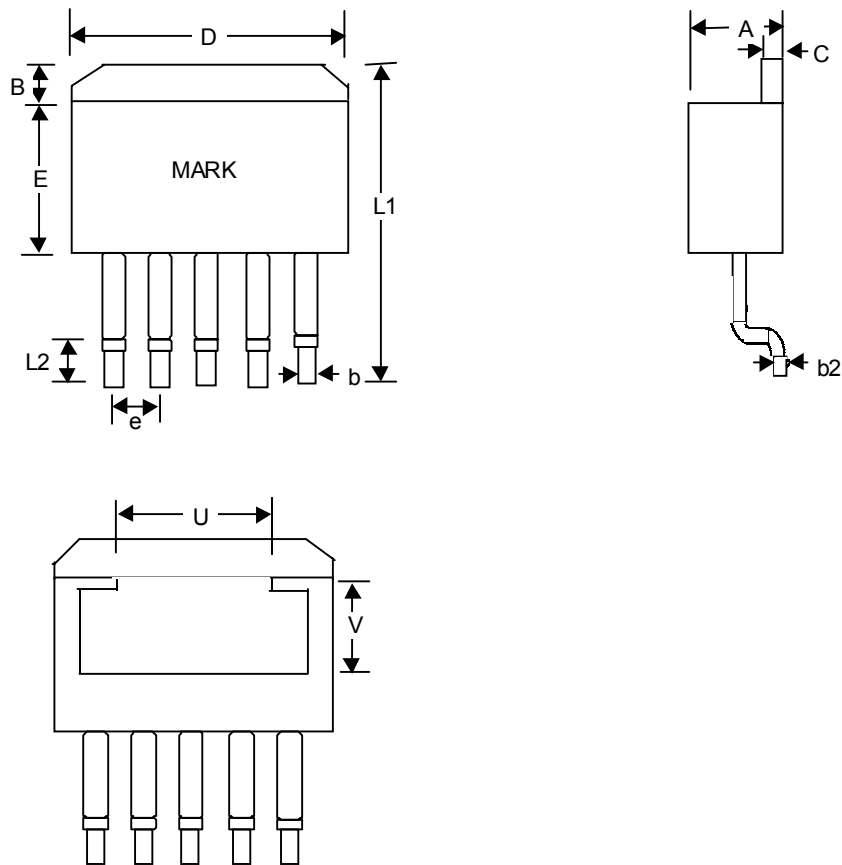


Fig. 6 Layout Consideration

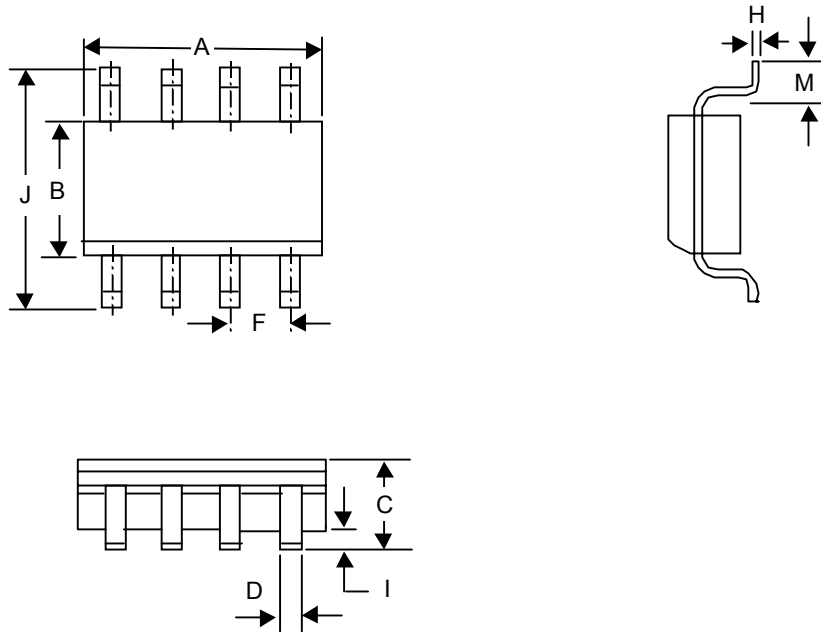
To prevent this maximum junction temperature from being exceeded, the appropriate power plane heat sink *MUST* be used. Higher continuous currents or ambient temperature require additional heatsinking.

Package Information



Symbol	Dimensions In Millimeters		Dimensions In Inches	
	Min	Max	Min	Max
D	9.652	10.668	0.380	0.420
B	1.143	1.676	0.045	0.066
E	8.128	9.652	0.320	0.380
A	4.064	4.826	0.160	0.190
C	1.143	1.397	0.045	0.055
U	6.223 Ref.		0.245 Ref.	
V	7.620 Ref.		0.300 Ref.	
L1	14.605	15.875	0.575	0.625
L2	2.286	2.794	0.090	0.110
b	0.660	0.914	0.026	0.036
b2	0.305	0.584	0.012	0.023
e	1.524	1.829	0.060	0.072

5-Lead TO-263 Plastic Surface Mount Package



Symbol	Dimensions In Millimeters		Dimensions In Inches	
	Min	Max	Min	Max
A	4.801	5.004	0.189	0.197
B	3.810	3.988	0.150	0.157
C	1.346	1.753	0.053	0.069
D	0.330	0.508	0.013	0.020
M	0.406	1.270	0.016	0.050
F	1.194	1.346	0.047	0.053
I	0.102	0.254	0.004	0.010
J	5.791	6.198	0.228	0.244
H	0.178	0.254	0.007	0.010

8-Lead SOP Plastic Package

RICHTEK TECHNOLOGY CORP.

Headquarter

6F, No. 35, Hsintai Road, Chupei City

Hsinchu, Taiwan, R.O.C.

Tel: (8863)5510047 Fax: (8863)5537749

RICHTEK TECHNOLOGY CORP.

Taipei Office (Marketing)

8F-1, No. 137, Lane 235, Paochiao Road, Hsintien City

Taipei County, Taiwan, R.O.C.

Tel: (8862)89191466 Fax: (8862)89191465

Email: marketing@richtek-ic.com.tw