



SANYO Semiconductors

DATA SHEET

STK672-210 – Two-Phase Stepping Motor Driver

Unipolar Constant-Current Chopper

Output Current: 1.4 A

Overview

The STK672-210 is two-phase stepping motor driver hybrid IC (H-IC) that features further miniaturization and improved input logic flexibility as compared to the STK6712 series products.

Applications

The STK672-210 is optimal for use as a stepping motor driver in printers, copiers, XY plotters, and similar equipment.

Features

- Built-in common-mode input protection circuit
- The input signal logic lines are provided as active-high and active-low pairs, and thus support switching the motor wiring.
- Built-in current detection resistor for reduced external component mounting area on the printed circuit board.
- Wide motor operating range (10 to 45 V)

Specifications

Absolute Maximum Ratings at $T_c = 25^\circ\text{C}$

Parameter	Symbol	Conditions	Ratings	Unit
Maximum supply voltage 1	$V_{CC1 \text{ max}}$	No signal	52	V
Maximum supply voltage 2	$V_{CC2 \text{ max}}$	No signal	-0.3 to +7.0	V
Input voltage	$V_{IN \text{ max}}$	Logic input pins	-0.3 to +7.0	V
Phase output current	$I_{OH \text{ max}}$	0.5 s, 1 pulse, when V_{CC1} is applied	2.2	A
Repeated avalanche capacity	$E_{ar \text{ max}}$		25	mJ
Allowable power dissipation	$P_d \text{ max}$	With an arbitrarily large heat sink. Per MOSFET	6.5	W
Operating substrate temperature	$T_c \text{ max}$		105	$^\circ\text{C}$
Junction temperature	$T_j \text{ max}$		150	$^\circ\text{C}$
Storage temperature	T_{stg}		-40 to +125	$^\circ\text{C}$

- Any and all SANYO products described or contained herein do not have specifications that can handle applications that require extremely high levels of reliability, such as life-support systems, aircraft's control systems, or other applications whose failure can be reasonably expected to result in serious physical and/or material damage. Consult with your SANYO representative nearest you before using any SANYO products described or contained herein in such applications.
- SANYO assumes no responsibility for equipment failures that result from using products at values that exceed, even momentarily, rated values (such as maximum ratings, operating condition ranges, or other parameters) listed in products specifications of any and all SANYO products described or contained herein.

SANYO Electric Co., Ltd. Semiconductor Company

TOKYO OFFICE Tokyo Bldg., 1-10, 1 Chome, Ueno, Taito-ku, TOKYO, 110-8534 JAPAN

STK672-210

Allowable Operating Ranges at $T_a = 25^\circ\text{C}$

Parameter	Symbol	Conditions	Ratings	Unit
Supply voltage 1	V_{CC1}	With signals applied	10 to 45	V
Supply voltage 2	V_{CC2}	With signals applied	$5.0 \pm 5\%$	V
Input voltage	V_{IH}		0 to V_{CC2}	V
Phase driver withstand voltage	V_{DSS}	$I_D = 1 \text{ mA}$ ($T_c = 25^\circ\text{C}$)	100	V
Phase current 1	$I_{OH \text{ max } 1}$	When the pin 6 to 9 signals are $\geq 100 \text{ Hz}$, $T_c = 105^\circ\text{C}$, 50% duty	1.4	A
Phase current 2	$I_{OH \text{ max } 2}$	When the pin 6 to 9 signals are $\geq 100 \text{ Hz}$, $T_c = 90^\circ\text{C}$, 50% duty	1.6	A

Electrical Characteristics at $T_c = 25^\circ\text{C}$, $V_{CC1} = 24 \text{ V}$, $V_{CC2} = 5 \text{ V}$

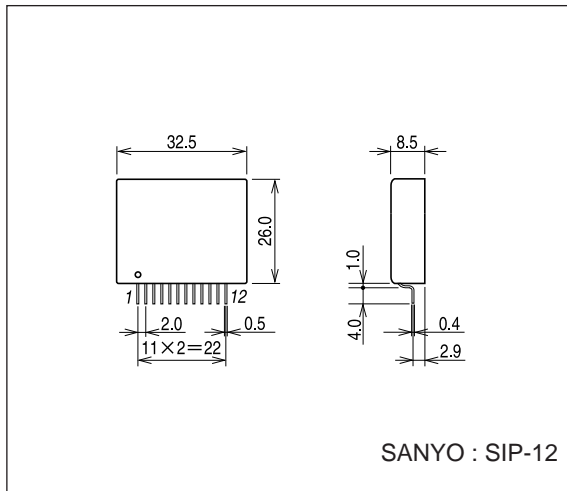
Parameter	Symbol	Conditions	Ratings			Unit
			min	typ	max	
Control supply current	I_{CCO}	With all inputs at the V_{CC2} level		3.3	10	mA
Output current (average)	$I_O \text{ ave}$	With $R/L = 3.5 \Omega/3.8 \text{ mH}$ in each phase	0.405	0.450	0.505	A
FET diode forward voltage	V_{df}	$I_f = 1.0 \text{ A}$		1.1	1.8	V
Output saturation voltage	V_{sat}	$R_L = 24 \Omega$		0.8	1.2	V
Vref input voltage	V_{rH}	Pin 12	0		3.5	V
Vref input bias current	I_{IB}	With pin 12 at 1 V		50	500	nA
[Control Input Pins]						
Input voltage	V_{IH}	H-IC pins 6 to 9	3.5			V
	V_{IL}	H-IC pins 6 to 9			0.7	V
Input current	I_{IH}	H-IC pins 6 to 9, $V_{IN} = V_{CC2}$		310		μA
	I_{IL}	H-IC pins 6 to 9, $V_{IN} = 0 \text{ V}$		2.5		μA

Note: A fixed-voltage power supply must be used.

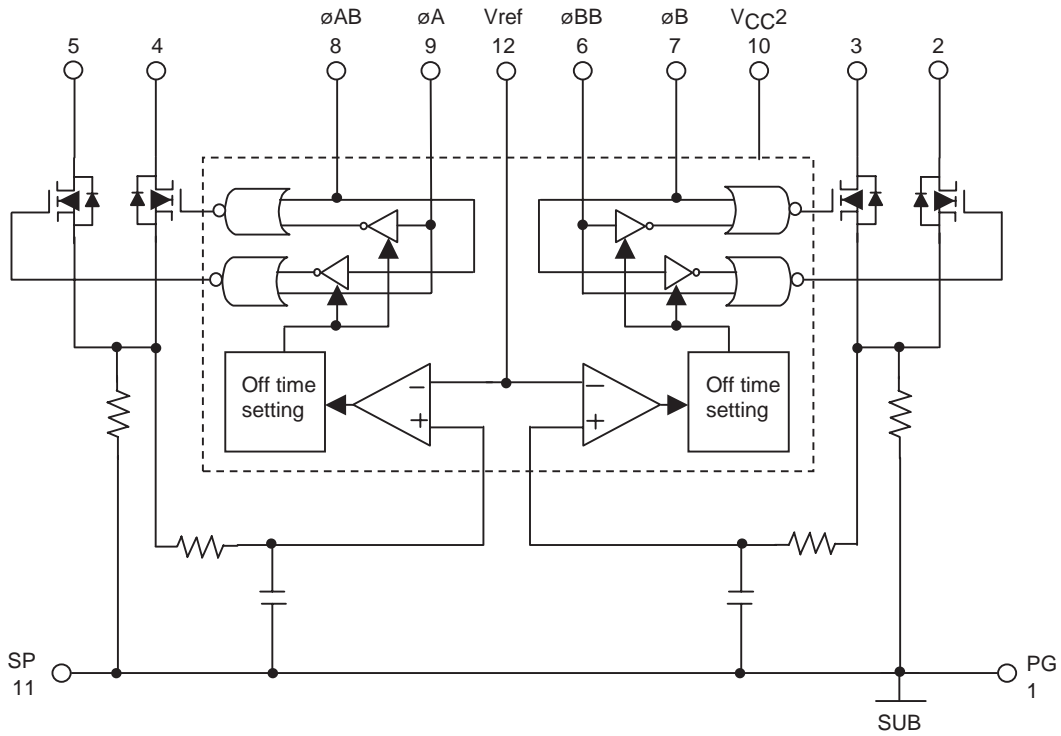
Package Dimensions

unit : mm

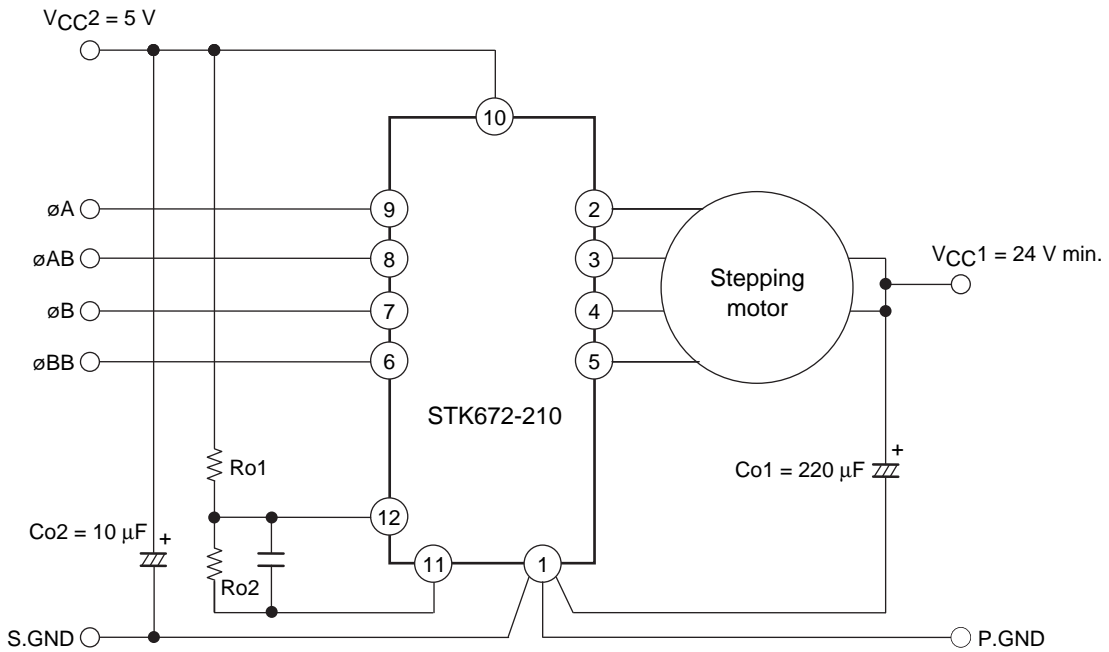
4168



Internal Circuit



Sample Application Circuit

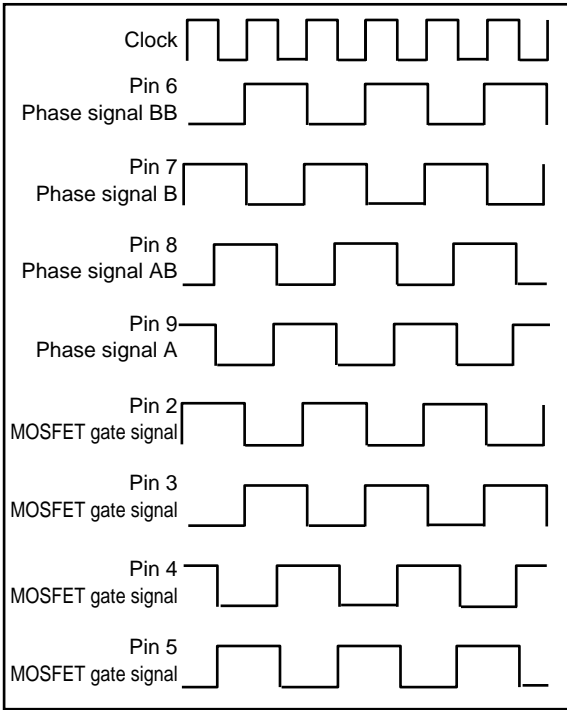


ITF02289

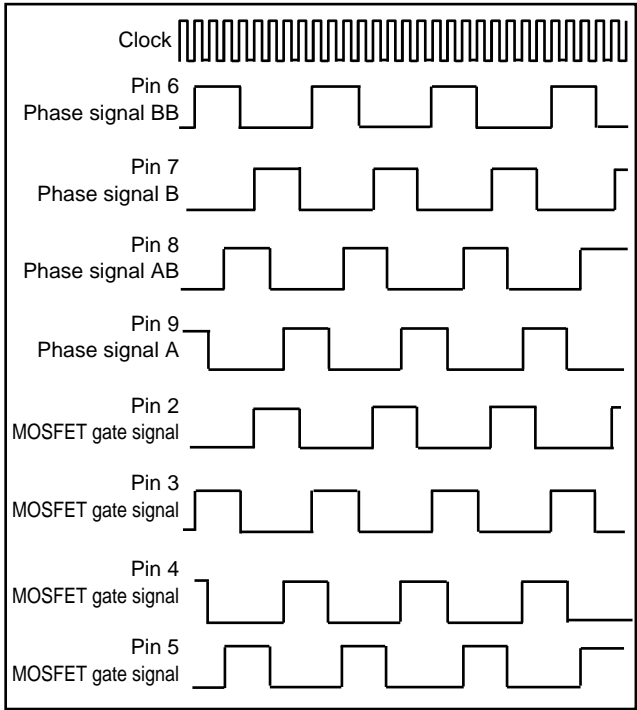
- The Co1 ground lead must be connected as close as possible to pin 1 on the hybrid IC.
- HC type CMOS levels are recommended as the input specifications for pins 6 to 9.
- Pull-up resistors must be used for TTL level inputs. (Recommended value: 2 kΩ)
- Excitation control input specifications

Corresponding output pin	Corresponding excitation control input signal	
	Active: High	Activ: Low
2	øB	øBB
3	øBB	øB
4	øA	øAB
5	øAB	øA

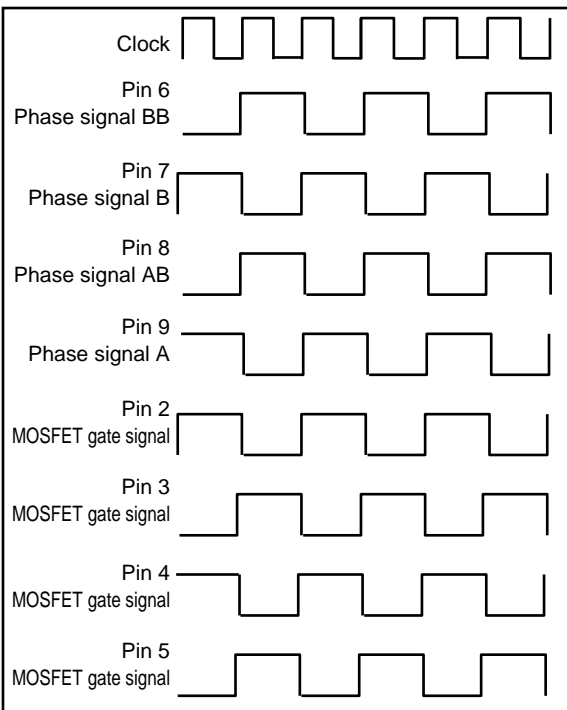
Phase signal: Active low input
2-phase excitation



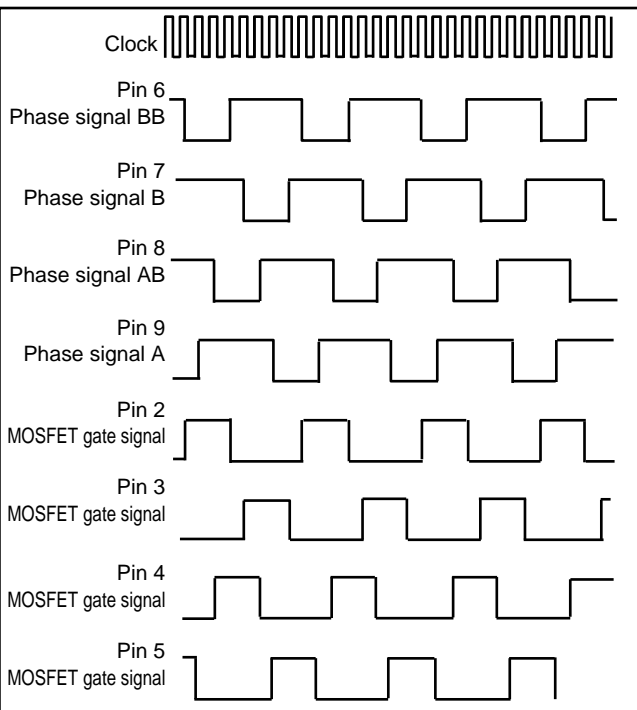
1-2 phase excitation



Phase signal: Active high input
2-phase excitation



1-2 phase excitation

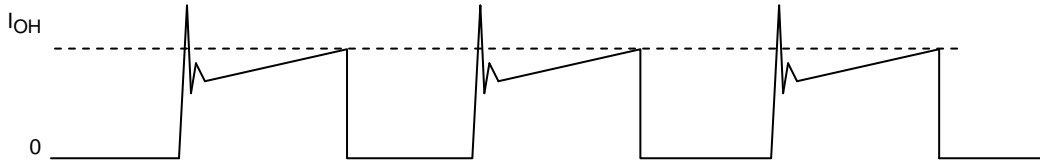


Setting the Motor Current Peak Value (I_{OH})

$$I_{OH} \approx V_{ref} \div R_s$$

V_{ref} : STK672-210 pin 12 input voltage

R_s : STK672-210 internal current detection resistor ($0.195 \Omega \pm 2\%$)



Model of the Motor Phase Current Flowing into the Driver IC (pins 2, 3, 4, and 5)

$$V_{ref} = (R_{o2} \div (R_{o1} + R_{o2})) \times V_{CC2}$$

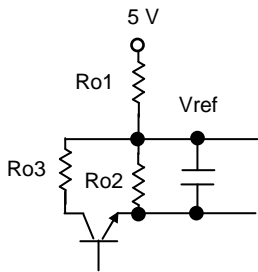
$$V_{CC2} = 5 \text{ V}$$

Current Switching Techniques

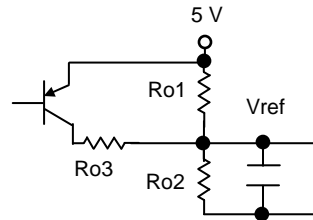
Due to the input bias current (I_{IB}) specifications, R_{o1} must be under $100 \text{ k}\Omega$.

The figures below present sample circuits that temporarily switch the motor current when, for example a held motor stops.

We recommend using the circuit structure in the figure at the left to minimize as much as possible the effects of the saturation voltage of the reference voltage switching transistor.



Switching Circuit 1



Switching Circuit 2

Input Pin Circuits

Input pin	Circuit type
Pin 6, 7, 8, and 9	
Pin 12	

Thermal Design

The size of the heat sink required for the STK672-210 depends on the motor output current I_{OH} (A), the electrical characteristics of the motor, the excitation mode, and the basic drive frequency.

The thermal resistance (θ_{c-a}) of the required heat sink can be determined from the following formula.

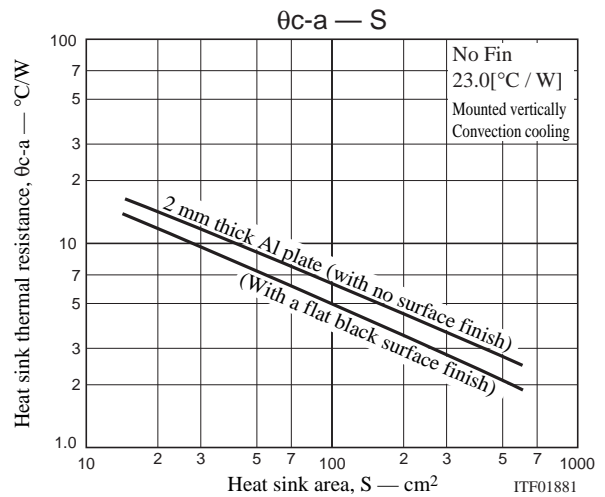
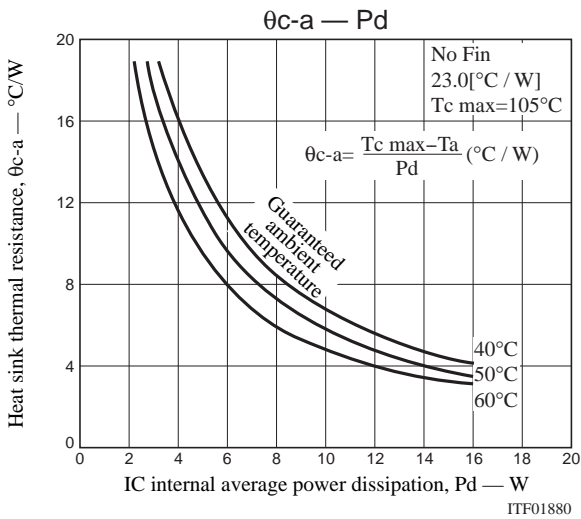
$$\theta_{c-a} = \frac{T_{c \max} - T_a}{P_d} \text{ (}^\circ\text{C/W)}$$

$T_{c \max}$: The STK672-210 substrate temperature ($^\circ\text{C}$)

T_a : The STK672-210 ambient temperature ($^\circ\text{C}$)

P_d : The average internal power dissipation in the STK672-210 (W)

For example, the required area for a heat sink made from 2 mm thick aluminum can be determined from the graph at the right below. Note that the ambient temperature is greatly influenced by the ventilation and air flow patterns within the application. This means that the size of the heat sink must be determined with care so that the STK672-210 back surface (aluminum substrate) temperature T_c in the mounted state never exceeds, under any conditions that might occur, the temperature $T_c = 105^\circ\text{C}$.



STK672-210 Average Internal Power Dissipation P_d

Of the devices that contribute to the STK672-210 average internal power supply, the devices with the largest power dissipation are the current control devices, the diodes that handle the regenerative current, the current detection resistor, and the predriver circuit.

The following presents formulas for calculating the power dissipation for the different excitation (drive) modes.

2 phase excitation mode

$$P_{d_{2EX}} = (V_{sat} + V_{df}) \times 0.5 \times \text{Clock} \times I_{OH} \times t_2 + 0.5 \times \text{Clock} \times I_{OH} \times (V_{sat} \times t_1 + V_{df} \times t_3)$$

1-2 phase excitation mode

$$P_{d_{1-2EX}} = (V_{sat} + V_{df}) \times 0.25 \times \text{Clock} \times I_{OH} \times t_2 + 0.25 \times \text{Clock} \times I_{OH} \times (V_{sat} \times t_1 + V_{df} \times t_3)$$

Motor hold mode

$$P_{d_{HOLDEX}} = (V_{sat} + V_{df}) \times I_{OH}$$

V_{sat} : Ron voltage drop + shunt resistor combined voltage

V_{df} : FET internal diode V_{df} + shunt resistor combined voltage

Clock: Input clock CLK (the reference frequency prior to splitting into 4 phases)

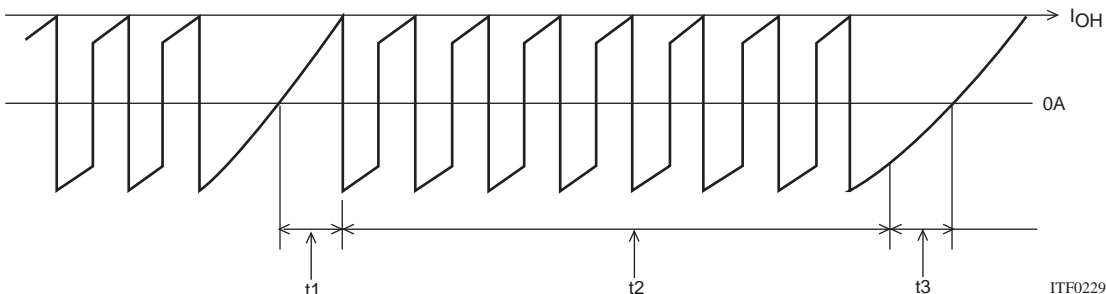


Figure 1 Motor Output Current Waveform Model (Commutation Current)

- t1: The time until the winding current reaches its rated current (I_{OH})
- t2: The time in the constant-current control (PWM) region
- t3: The time from the point a phase signal is cut until the back EMF current is dissipated.
- $t1 = (-L/(R + 0.77) \ln (1 - ((R + 0.77)/V_{CC1}) \times I_{OH})$
- $t3 = (-L/R) \ln ((V_{CC1} + 0.77)/(I_{OH} \times R + V_{CC1} + 0.77))$

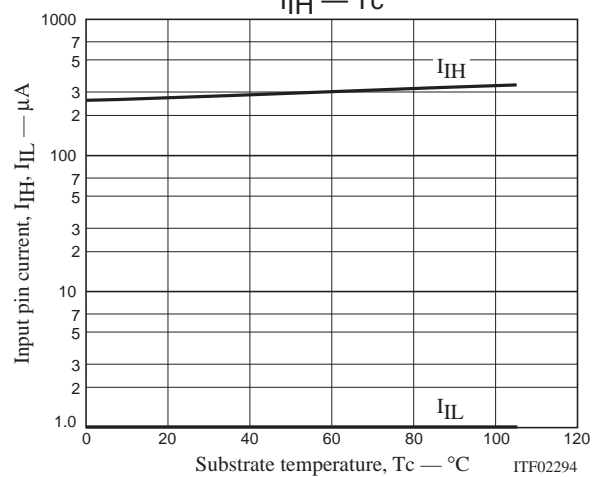
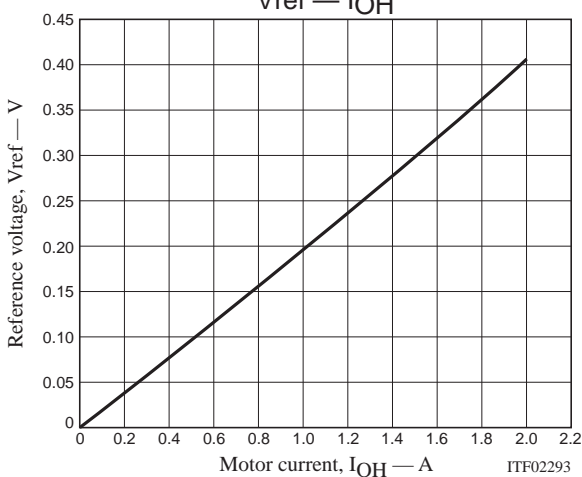
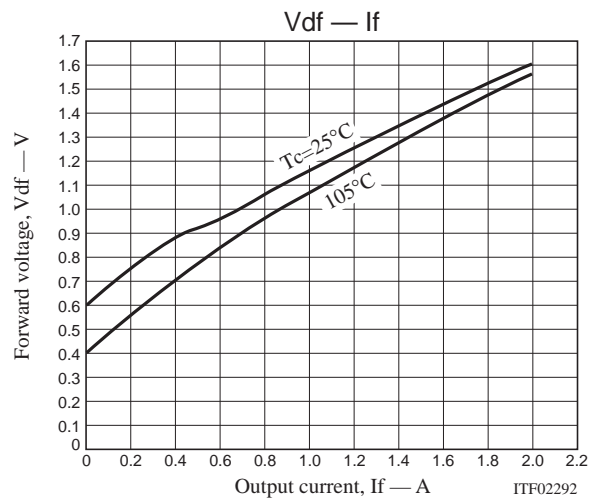
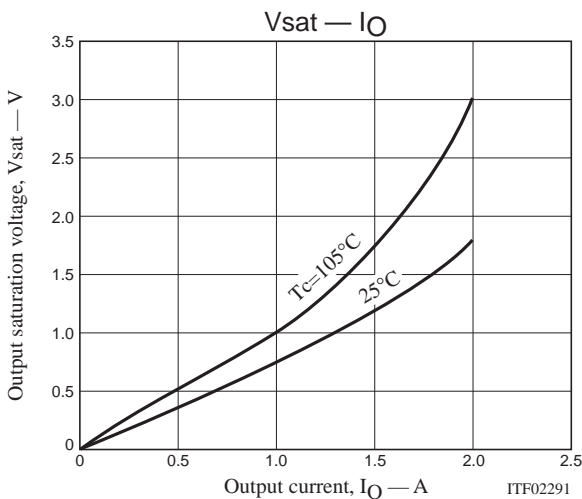
- V_{CC1} : Motor supply voltage (V)
- L: Motor inductance (H)
- R: Motor winding resistance (Ω)
- I_{OH} : Set motor output current wave height (A)

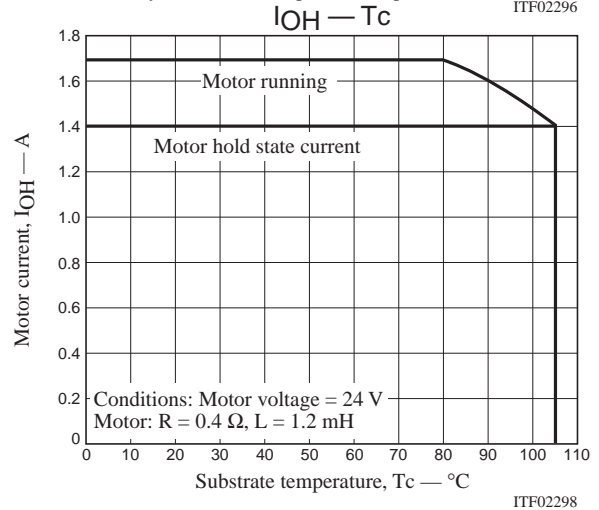
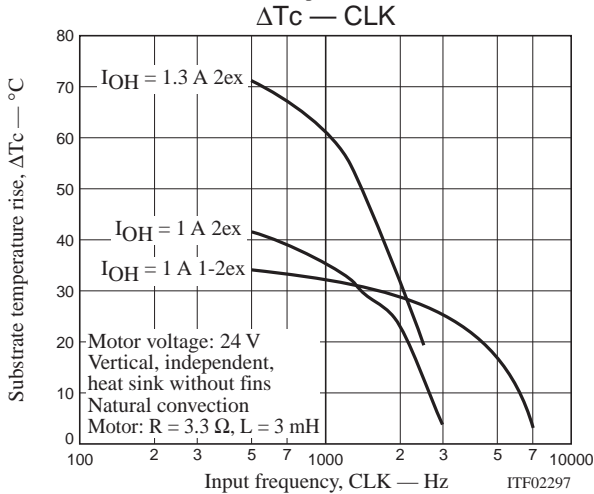
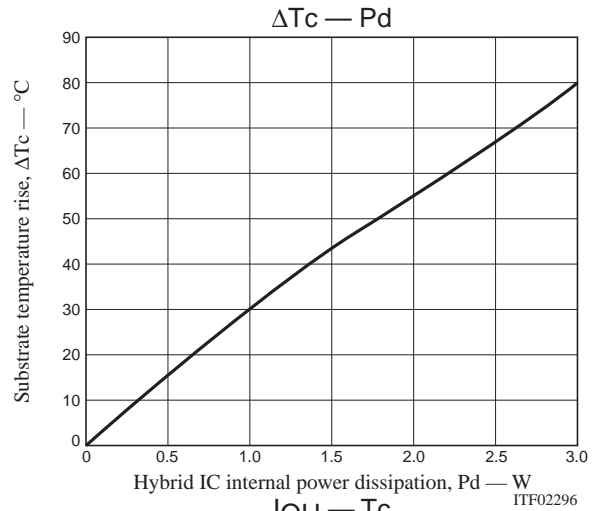
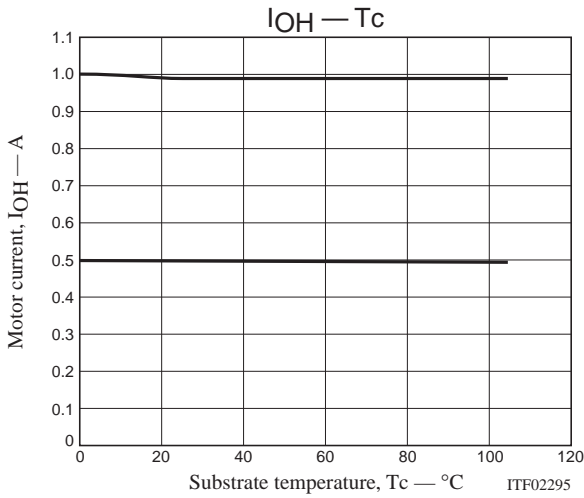
The constant-current control time t2, and the time T (= t1 + t2 + t3) that the phase signal is on in each excitation mode are as follows.

- 2 phase excitation mode: $t2 = (2/\text{Clock}) - (t1 + t3)$
- 1-2 phase excitation mode: $t2 = (3/\text{Clock}) - t1$

Determine the values for V_{sat} and V_{df} by substitution using the graphs for V_{sat} vs I_{OH} and V_{df} vs I_{OH} for the set current value for I_{OH} . Then judge whether or not a heat sink is required from the determined average power dissipation for the STK672-210 by comparison with the ΔT_c vs. Pd graph.

Note that it is necessary to check the temperature rise in the actual application system case, since the STK672-210 substrate temperature T_c changes with the air convection conditions around the STK672-210 when a heat sink without fins is used.





- Specifications of any and all SANYO products described or contained herein stipulate the performance, characteristics, and functions of the described products in the independent state, and are not guarantees of the performance, characteristics, and functions of the described products as mounted in the customer's products or equipment. To verify symptoms and states that cannot be evaluated in an independent device, the customer should always evaluate and test devices mounted in the customer's products or equipment.
- SANYO Electric Co., Ltd. strives to supply high-quality high-reliability products. However, any and all semiconductor products fail with some probability. It is possible that these probabilistic failures could give rise to accidents or events that could endanger human lives, that could give rise to smoke or fire, or that could cause damage to other property. When designing equipment, adopt safety measures so that these kinds of accidents or events cannot occur. Such measures include but are not limited to protective circuits and error prevention circuits for safe design, redundant design, and structural design.
- In the event that any or all SANYO products(including technical data, services) described or contained herein are controlled under any of applicable local export control laws and regulations, such products must not be exported without obtaining the export license from the authorities concerned in accordance with the above law.
- No part of this publication may be reproduced or transmitted in any form or by any means, electronic or mechanical, including photocopying and recording, or any information storage or retrieval system, or otherwise, without the prior written permission of SANYO Electric Co., Ltd.
- Any and all information described or contained herein are subject to change without notice due to product/technology improvement, etc. When designing equipment, refer to the "Delivery Specification" for the SANYO product that you intend to use.
- Information (including circuit diagrams and circuit parameters) herein is for example only ; it is not guaranteed for volume production. SANYO believes information herein is accurate and reliable, but no guarantees are made or implied regarding its use or any infringements of intellectual property rights or other rights of third parties.

This catalog provides information as of June, 2004. Specifications and information herein are subject to change without notice.