

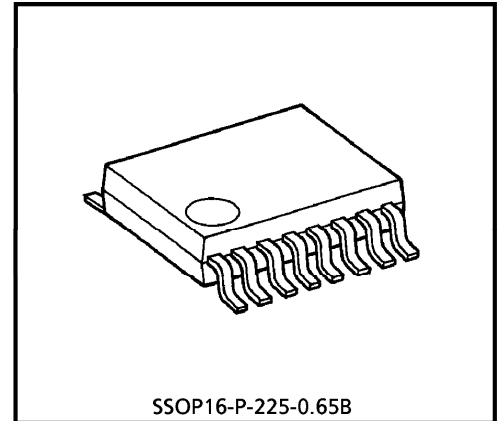
# TA31161FNG

## WIDE-BAND IF DETECTOR IC WITH BUILT-IN HIGH-SPEED MIXER

A wide-band IF detector IC capable of operating at 10.7MHz and designed for the high-speed bit rates used in mobile communication and other systems. This IC is suitable for a receiver for digital mobile communication. High speed mixer, FM detector for 100kHz and high speed response RSSI function are built-in.

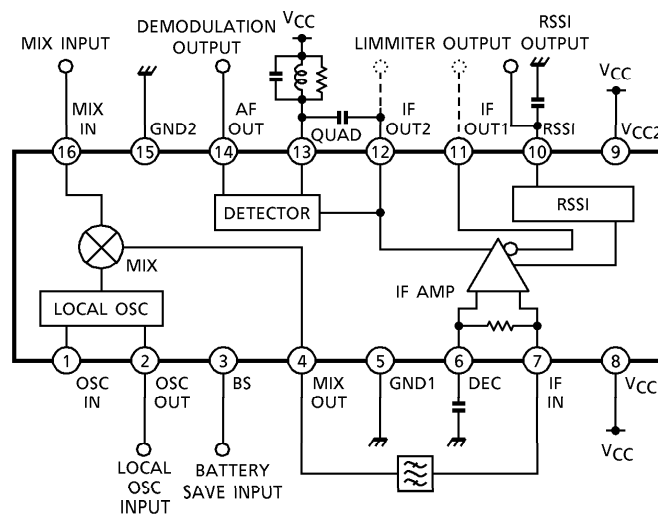
### FEATURES

- MIX operating frequency : 40~300MHz
- 12dB sensitivity : 21dB $\mu$ VEMF (input 50 $\Omega$ )
- Current consumption : 5.5mA (Typ.)
- Operating voltage range : 2.3~5.5V
- Small package : SSOP24pin (0.65mm pitch)



SSOP16-P-225-0.65B  
Weight : 0.09g (Typ.)

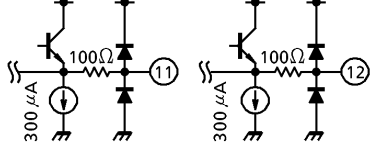
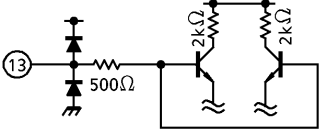
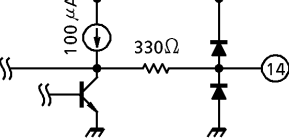
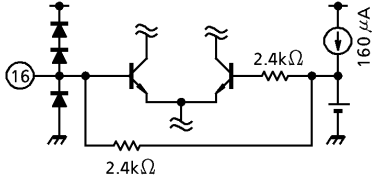
### BLOCK DIAGRAM



TA31161FNG Package is Pb-Free.

**PIN FUNCTION** (The values of resistor and capacitor are typ..)

PIN No.	PIN NAME	FUNCTION	EQUIVALENT INTERNAL CIRCUIT
1	OSC IN	LOCAL OSC input terminal. Can form an oscillator with an internal transistor and external crystal oscillator.	
2	OSC OUT	Can also operate as a MIX using the signal input externally from Pin 1 or Pin 2.	
3	BS	Battery save terminal. Setting this terminal to low results in battery save state. Setting the terminal to high results in activate state.	
4	MIX OUT	MIX output terminal. Externally connects filters. Output impedance is around 330Ω.	
5	GND1	GND terminal	—
6	DEC	Bias terminal for IF input terminals. Connects external capacitor. The value of the capacitor should be sufficiently large at 10.7MHz.	
7	IF IN	IF input terminal. Connected after the filters.	
8	VCC1	Power supply terminal. (MIX and part of IF)	—
9	VCC2	Power supply terminal. (part of IF and detector)	—
10	RSSI	RSSI output terminal. Voltage output type.	

PIN No.	PIN NAME	FUNCTION	EQUIVALENT INTERNAL CIRCUIT
11	IF OUT1	IF limiter output terminal. Output of pin 11 and pin 12 is opposite phase.	
12	IF OUT2		
13	QUAD	Phase signal input terminal for FM DETECTOR.	
14	AF OUT	Modulation signal output terminal. Output impedance is around 360 Ω.	
15	GND2	GND terminal	—
16	MIX IN	MIX input terminal. Double-balance MIX.	

1. LOCAL OSC External Injection Method

Inject as shown in Fig.1, setting the injection level between 95dB $\mu$ V~100dB $\mu$ V. A built-in buffer AMP. minimizes leakage from the mixer.

Input from pin 1 is possible ; however, when the input frequency is high, the level at pin 2 may not be sufficient, causing a decrease in sensitivity.

In such a case, add resistor R51 and set the input signal so that the signal at pin 2 is adequate. Connect as in Fig.3 to use internal transistor for oscillation.

R51 is the resistor that determines the oscillation current.

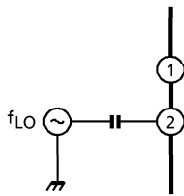


Fig.1

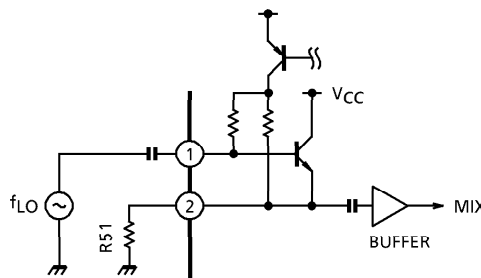


Fig.2

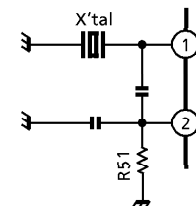


Fig.3

2. Overtone Oscillation

Fig.4 shows the basic configuration of the local oscillation circuit using overtone oscillation.

The C51 and L1 tuning circuits prevent crystal fundamental oscillation.

Therefore, set C51 and L1 to inductive at the fundamental frequency and capacitive at the overtone frequency.

Since the level at pin 2 may decrease and the sensitivity may fall at high frequency as with external injection, adjust the oscillation level using R51.

The internal emitter follower circuit can oscillate up to 100MHz.

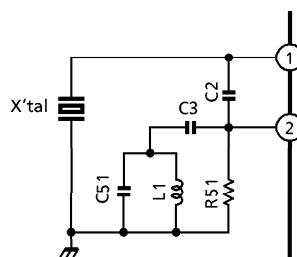


Fig.4

3. RSSI Function

The DC voltage output on RSSI varies according to the IF-IN input level. The DC voltage can be lowered by attaching an external resistor.

However, the range of input-output linear relationship cannot be extended.

If an external resistor is attached, the temperature characteristics of RSSI output may change due to the difference of temperature coefficient between the external resistor and the IC itself.

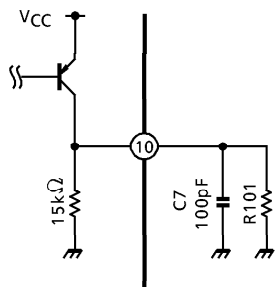
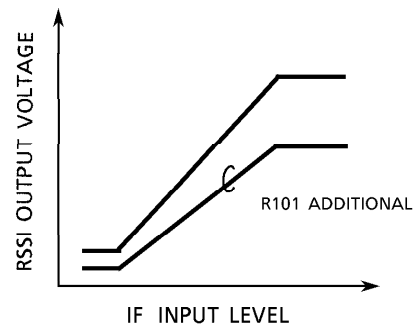


Fig.5



4. Disusing Pin Connection

In case of disusing MIX and LOCAL OSC, disusing pin connects as shown in Fig.6.

In case of disusing FM DETECTOR, disusing pin connects as shown in Fig.7.

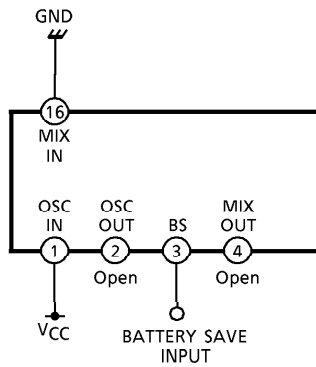


Fig.6

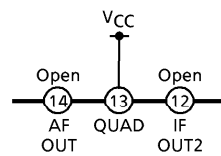


Fig.7

**MAXIMUM RATINGS (Ta = 25°C)**

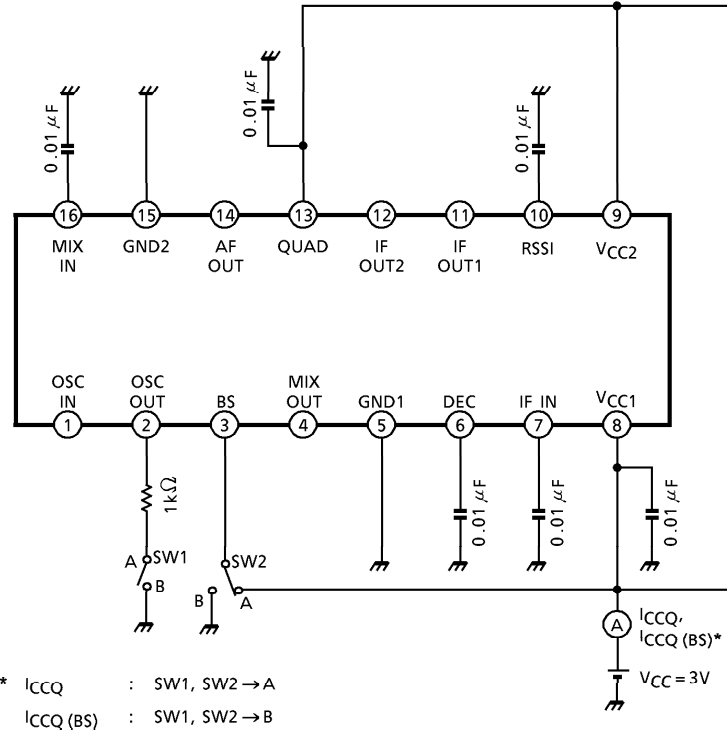
CHARACTERISTICS	SYMBOL	RATINGS	UNIT
Power Supply Voltage	V <sub>CC</sub>	6	V
Power Dissipation	P <sub>D</sub>	240	mW
Operating Temperature	T <sub>opr</sub>	-35~85	°C
Storage Temperature	T <sub>stg</sub>	-55~150	°C

**ELECTRICAL CHARACTERISTICS** (Unless otherwise specified V<sub>CC</sub> = 3V, f<sub>IN (MIX)</sub> = 90.7MHz, f<sub>IN (IF)</sub> = 10.7MHz, f<sub>MOD</sub> = 1kHz, Δf = ±100kHz, Ta = 25°C )

CHARACTERISTICS	SYMBOL	TEST CIR-CUIT	TEST CONDITION	MIN.	TYP.	MAX.	UNIT
Operating Voltage Range	V <sub>CC opr</sub>	—	—	2.3	3	5.5	V
Current Consumption	I <sub>CCQ</sub>	1	When local oscillation stopped	—	5.5	7.5	mA
Battery Save Current	I <sub>CCQ (BS)</sub>	1	BS = "L"	—	0	10	μA
MIX Operating Frequency	f <sub>IN</sub>	—	—	40	240	300	MHz
MIX Conversion Gain	G <sub>VC</sub>	2	V <sub>IN (MIX)</sub> = 50dBμV	15	19	23	dB
MIX Intercept Point	P <sub>IM</sub>	—	V <sub>IN (MIX)</sub> = 80dBμVEMF	—	95	—	dBμV
MIX Equivalent Input Resistance	R <sub>IN (MIX)</sub>	—	—	—	1	—	kΩ
MIX Equivalent Input Capacitance	C <sub>IN (MIX)</sub>	—	—	—	3	—	pF
MIX 1dB Compression Level	D <sub>R (MIX)</sub>	—	MIX input level at G <sub>VC</sub> 1dB down.	—	90	—	dBμV
MIX Output Resistance	R <sub>O (MIX)</sub>	—	—	—	330	—	Ω
LOCAL OSC Operating Frequency	f <sub>LO</sub>	—	—	40	—	100	MHz
Recommended Local Input Level	V <sub>LO</sub>	—	—	—	100	—	dBμV
Local Equivalent Input Resistance	R <sub>IN (LO)</sub>	—	—	—	1	—	kΩ
Local Equivalent Input Capacitance	C <sub>IN (LO)</sub>	—	—	—	2.4	—	pF
IF Input Resistance Value	R <sub>IN (IF)</sub>	—	—	—	330	—	Ω
IF AMP Gain	G <sub>V (IF)</sub>	—	—	—	72	—	dB
IF Output Level	V <sub>O (IF)</sub>	2	—	400	500	600	mV <sub>p-p</sub>
RSSI Variation Width	V <sub>D (RSSI)</sub>	—	—	—	70	—	dB
RSSI Output Resistance	R (RSSI)	—	—	10.5	15	19.5	kΩ
RSSI Output Voltage	V (RSSI)	2	V <sub>IN</sub> = 70dBμV EMF, Non modulation	1.0	1.2	1.4	V

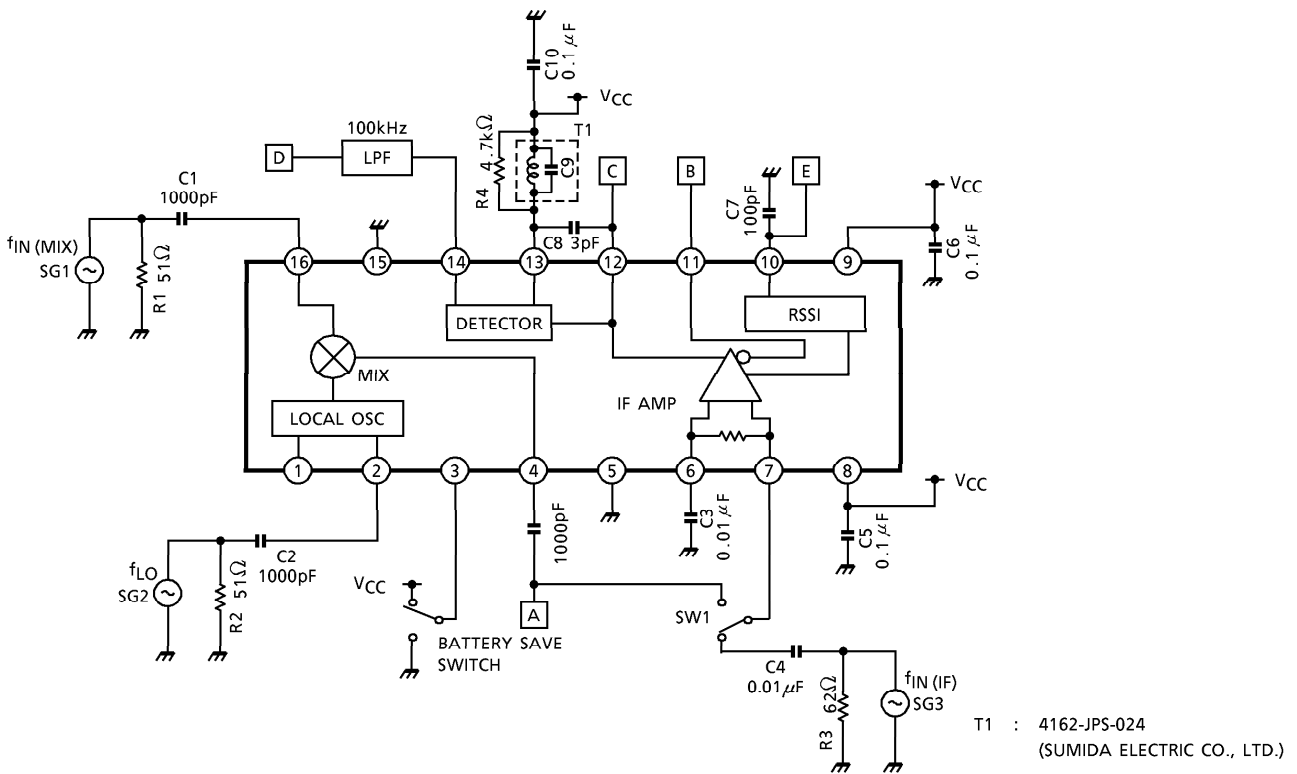
CHARACTERISTICS	SYMBOL	TEST CIR-CUIT	TEST CONDITION	MIN.	TYP.	MAX.	UNIT
High Level Input Voltage	$V_H$	—	BS	2	—	$V_{CC}$	V
Low Level Input Voltage	$V_L$	—	BS	GND	—	0.2	
Demodulation Output Level	$V_{OD}$	2	—	150	200	260	$mV_{rms}$
Demodulation Frequency	$f_{DET}$	—	—	—	100	—	kHz
12dB Sensitivity	12dB SN	—	MIX INPUT	—	21	—	$dB_{\mu V}$ EMF
SN Ratio	SN	—	MIX INPUT	—	55	—	dB
AM Rejection Ratio	AMR	—	MIX INPUT	—	40	—	dB

TEST CIRCUIT 1





TEST CIRCUIT 2



Test conditions for mixer conversion gain  $G_{VC}$

SG1  $f_{IN (MIX)} = 90.7\text{MHz}$ ,  $V_{IN (MIX)} = 50\text{dB}\mu\text{V EMF}$

SG2  $f_{LO} = 80.0\text{MHz}$ ,  $V_{LO} = 100\text{dB}\mu\text{V EMF}$

$G_{VC}$  = value at point **A** - 50dB

Test conditions for RSSI level output  $V (RSSI)$

SG3  $f_{IN (IF)} = 10.7\text{MHz}$ ,  $V_{IN (IF)} = 70\text{dB}\mu\text{V EMF}$

$V (RSSI)$  = voltage at point **E**

Test conditions for IF output level  $V_O (IF)$

SG3  $f_{IN (IF)} = 5\text{MHz}$ ,  $V_{IN (IF)} = 80\text{dB}\mu\text{V EMF}$

$V_O (IF)$  = peak output level at point **B** or point **C**

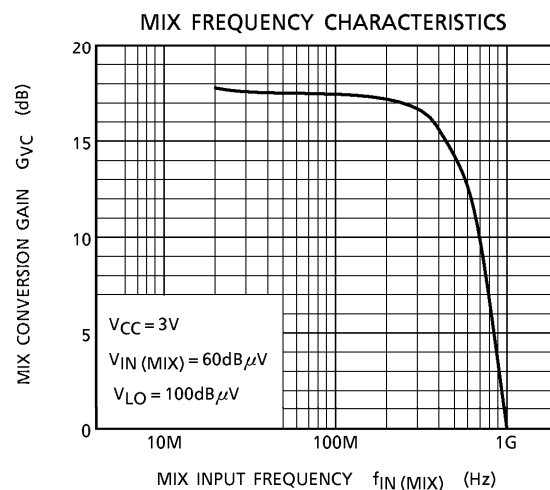
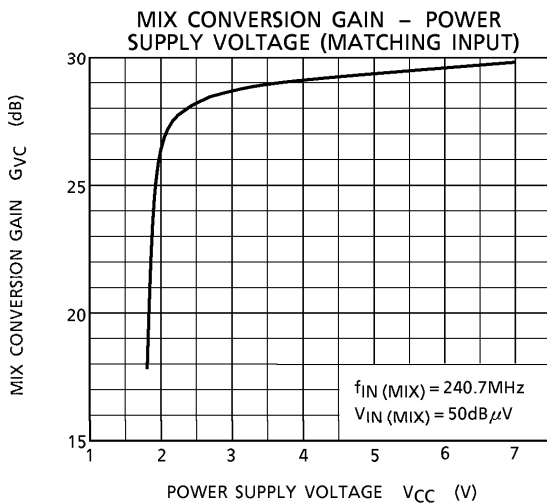
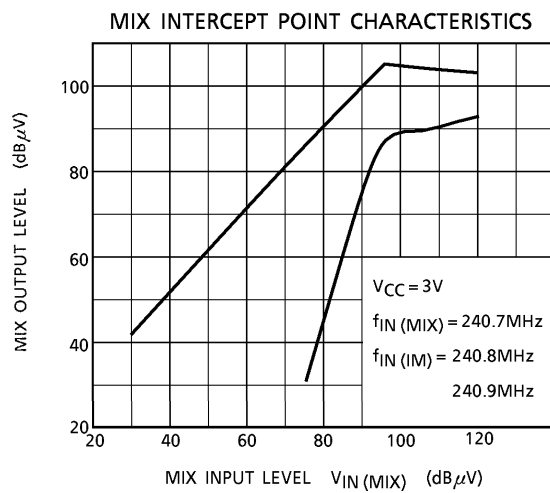
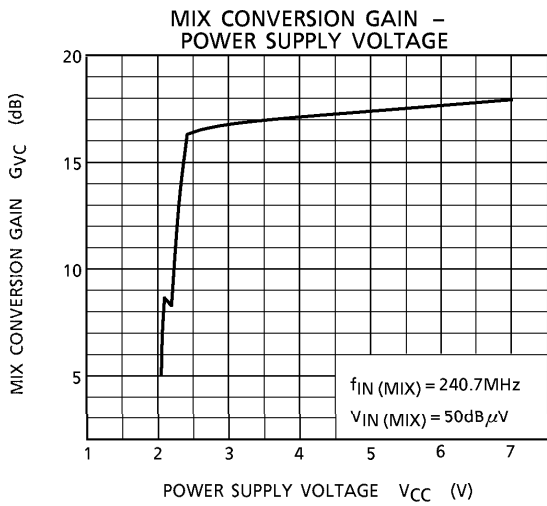
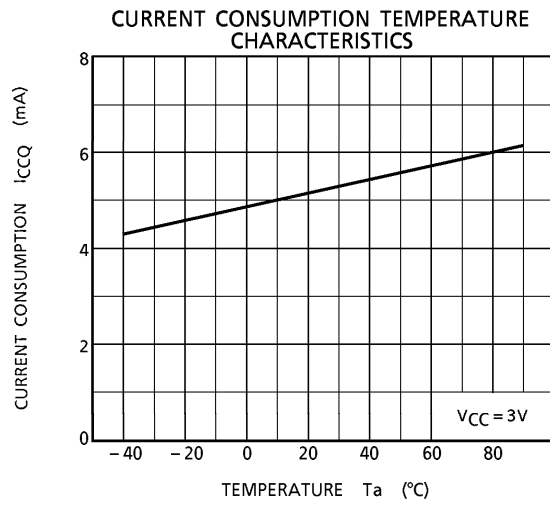
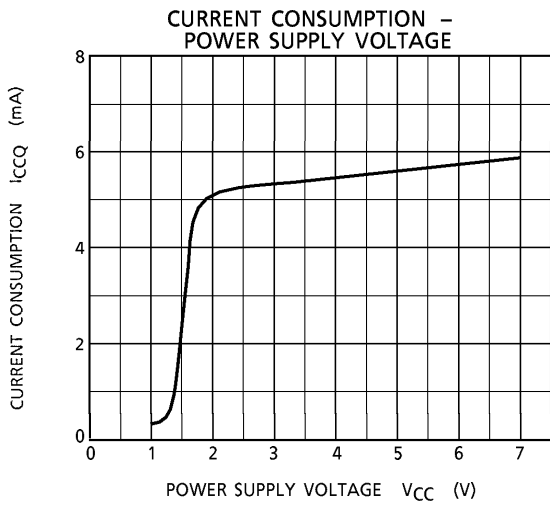
Test conditions for detect output  $V_{OD}$

SG3  $f_{IN (IF)} = 10.7\text{MHz}$ ,  $\Delta f = \pm 100\text{kHz}$ ,  $f_{MOD} = 1\text{kHz}$ ,  $V_{IN (IF)} = 80\text{dB}\mu\text{V EMF}$

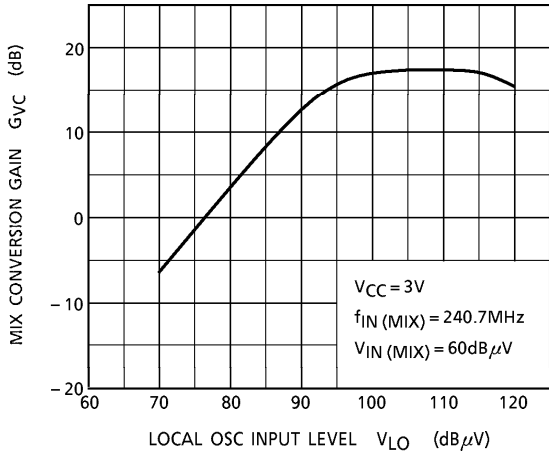
$V_{OD}$  = voltage at point **D**

When  $V_{CC} = 3\text{V}$ , battery save switch on  $V_{CC}$  side, SW1 on SG3 side

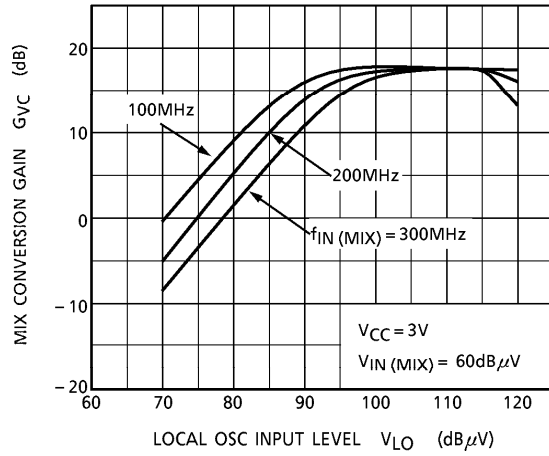
(**A** side only when  $G_{VC}$  tested)



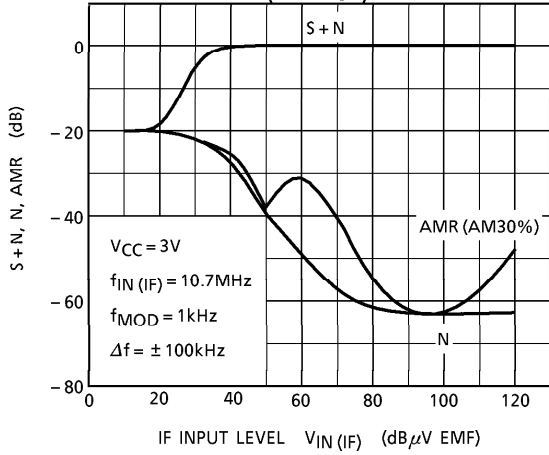
MIX CONVERSION GAIN – LOCAL OSC INPUT LEVEL



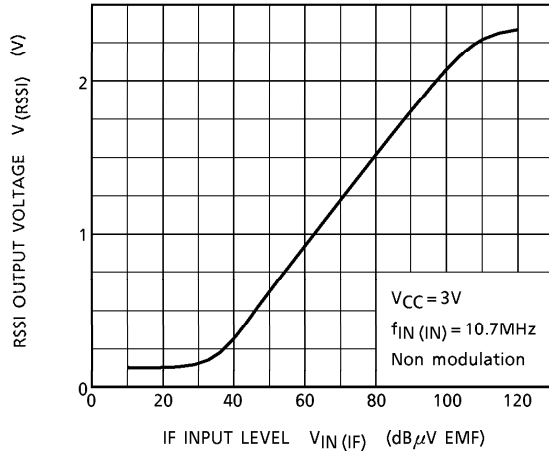
MIX CONVERSION GAIN – LOCAL OSC INPUT LEVEL FREQUENCY CHARACTERISTICS



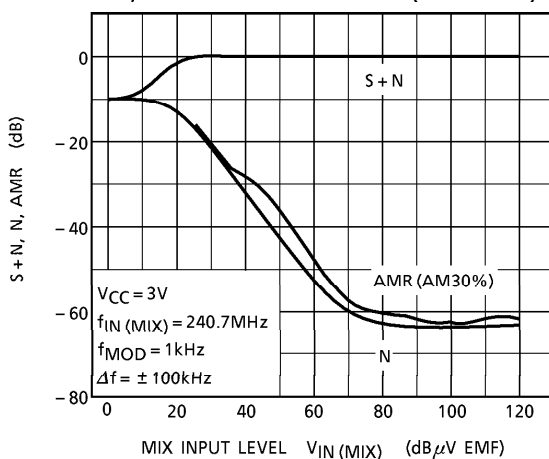
SN, AMR CHARACTERISTICS (IF INPUT)



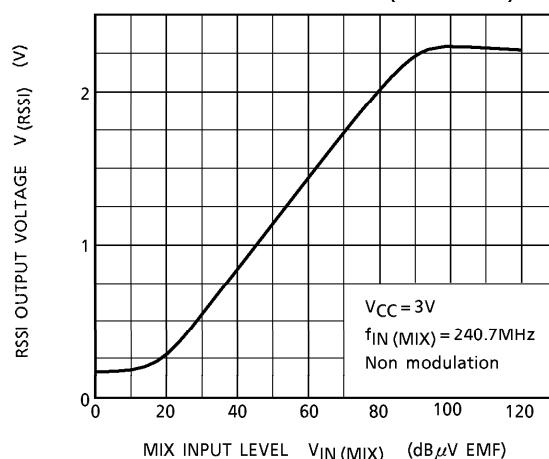
RSSI CHARACTERISTICS (IF INPUT)



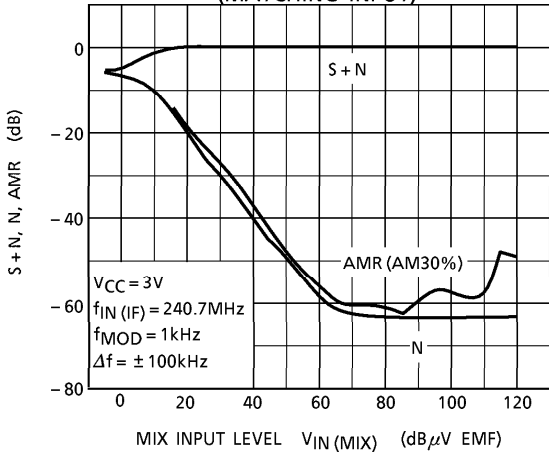
SN, AMR CHARACTERISTICS (MIX INPUT)



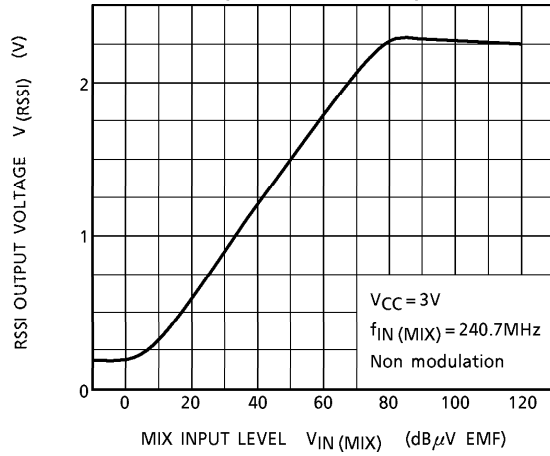
RSSI CHARACTERISTICS (MIX INPUT)



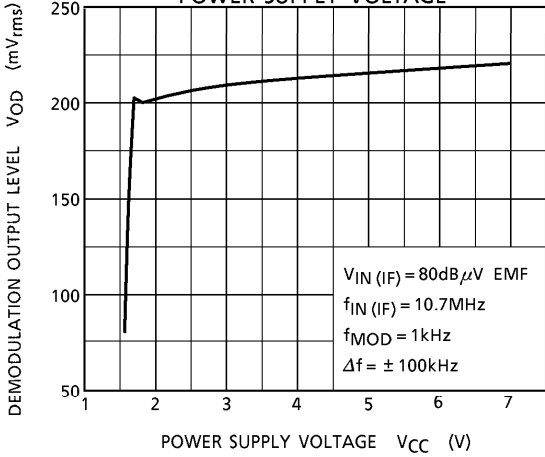
SN, AMR CHARACTERISTICS  
(MATCHING INPUT)



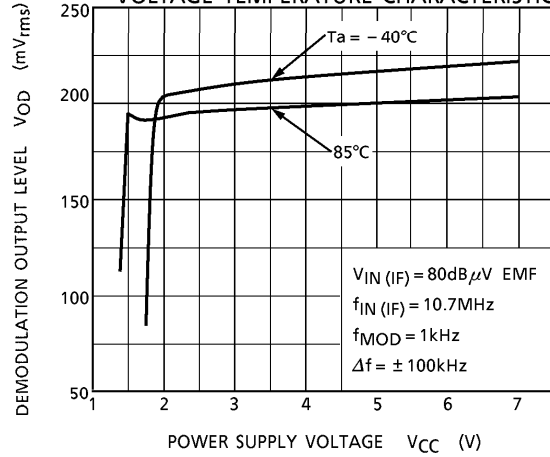
RSSI CHARACTERISTICS  
(MATCHING INPUT)



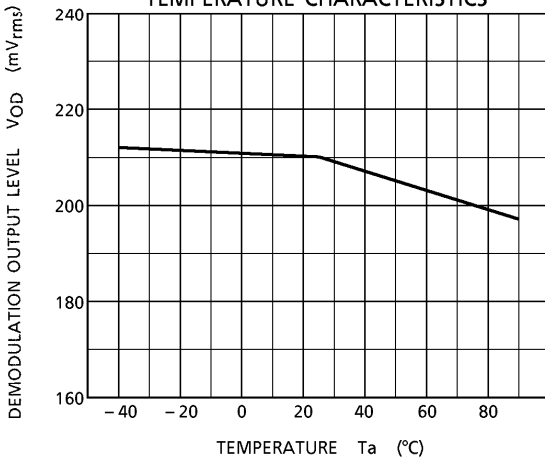
DEMODULATION OUTPUT LEVEL -  
POWER SUPPLY VOLTAGE



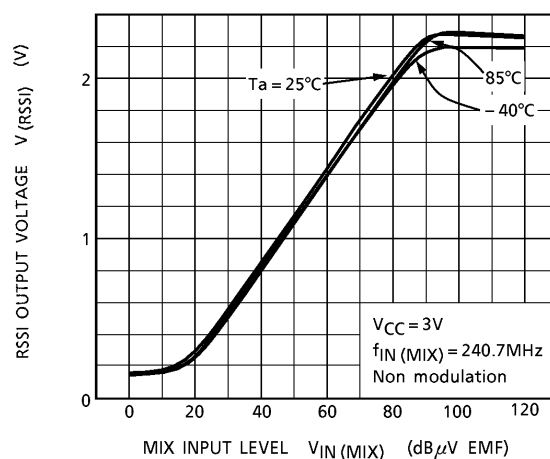
DEMODULATION OUTPUT LEVEL - POWER SUPPLY  
VOLTAGE TEMPERATURE CHARACTERISTICS

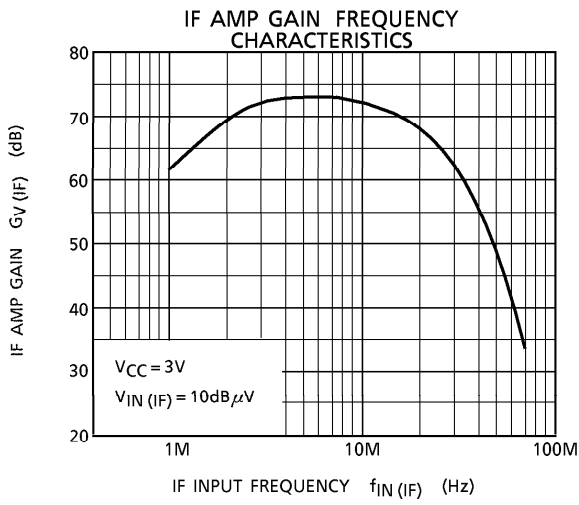


DEMODULATION OUTPUT LEVEL  
TEMPERATURE CHARACTERISTICS

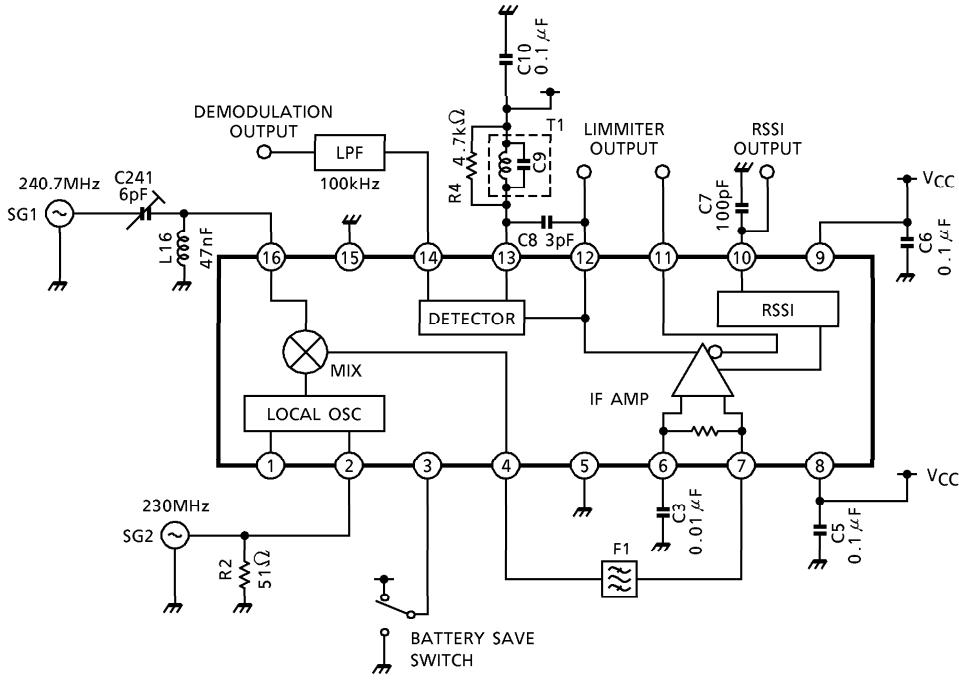


RSSI TEMPERATURE CHARACTERISTICS



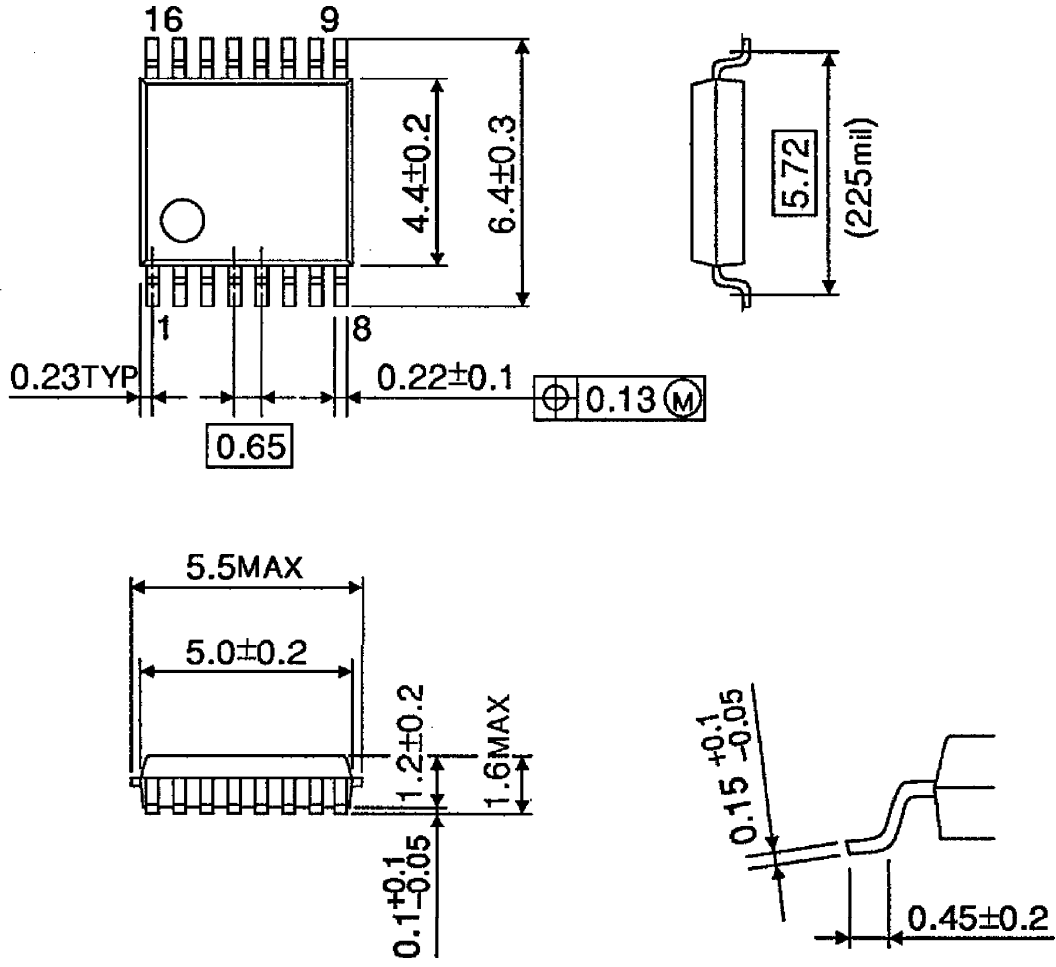


APPLICATION CIRCUIT



**PACKAGE DIMENSIONS**  
SSOP16-P-225-0.65B

Unit : mm



Weight : 0.09g (Typ.)

About solderability, following conditions were confirmed

Solderability

- (1) Use of Sn-63Pb solder bath
  - Solder bath temperature = 230
  - Dipping time = 5seconds
  - The number of times = once
  - Use of R-type flux
- (2) Use of Sn- 3.0Ag-0.5Cu solder bath
  - Solder bath temperature = 245
  - Dipping time = 5seconds
  - The number of times = once
  - Use of R-type flux

## RESTRICTIONS ON PRODUCT USE

000707EBA

- TOSHIBA is continually working to improve the quality and reliability of its products. Nevertheless, semiconductor devices in general can malfunction or fail due to their inherent electrical sensitivity and vulnerability to physical stress. It is the responsibility of the buyer, when utilizing TOSHIBA products, to comply with the standards of safety in making a safe design for the entire system, and to avoid situations in which a malfunction or failure of such TOSHIBA products could cause loss of human life, bodily injury or damage to property. In developing your designs, please ensure that TOSHIBA products are used within specified operating ranges as set forth in the most recent TOSHIBA products specifications. Also, please keep in mind the precautions and conditions set forth in the "Handling Guide for Semiconductor Devices," or "TOSHIBA Semiconductor Reliability Handbook" etc..
- The TOSHIBA products listed in this document are intended for usage in general electronics applications (computer, personal equipment, office equipment, measuring equipment, industrial robotics, domestic appliances, etc.). These TOSHIBA products are neither intended nor warranted for usage in equipment that requires extraordinarily high quality and/or reliability or a malfunction or failure of which may cause loss of human life or bodily injury ("Unintended Usage"). Unintended Usage include atomic energy control instruments, airplane or spaceship instruments, transportation instruments, traffic signal instruments, combustion control instruments, medical instruments, all types of safety devices, etc.. Unintended Usage of TOSHIBA products listed in this document shall be made at the customer's own risk.
- The products described in this document are subject to the foreign exchange and foreign trade laws.
- The information contained herein is presented only as a guide for the applications of our products. No responsibility is assumed by TOSHIBA CORPORATION for any infringements of intellectual property or other rights of the third parties which may result from its use. No license is granted by implication or otherwise under any intellectual property or other rights of TOSHIBA CORPORATION or others.
- The information contained herein is subject to change without notice.