

TELEVISION SOUND COMBINATION

The TDA2791 contains the following functions:

- Limiter/amplifier
- F.M. detector.
- Physiological d.c. volume control.
- D.C. tone control.

The limiter/amplifier is designed as a four-stage differential amplifier, to obtain good noise and interference suppression. The detector is a balanced quadrature demodulator.

During VTR operation audio signals can be inserted before the tone and volume control circuits. The limiter amplifier and demodulator must be switched off by grounding pin 2. This switching action occurs without a d.c. shift, so that no transients will be noticed in the speaker. The circuit is very flexible in its application because the characteristics of the various controls can be adapted by changing external component values.

QUICK REFERENCE DATA

Supply voltage	V_{13-3}	typ.	12 V
Total current drain	I_{13}	typ.	61 mA
Frequency	f_o		5,5 MHz
Input voltage at start of limiting (r.m.s. value)	$V_{i(rms)}$	typ.	100 μ V
A.M. rejection at $V_i = 5$ mV	α	typ.	60 dB
A.F. output voltage at $\Delta f = \pm 27$ kHz (r.m.s. value) (at pin 7 after de-emphasis)	$V_{o(rms)}$	typ.	700 mV
D.C. bass control range		<	+16 -19 dB
D.C. treble control range		<	+12 -15 dB
D.C. volume control range		>	-75 dB

PACKAGE OUTLINE

16-lead DIL; plastic (SOT-38).

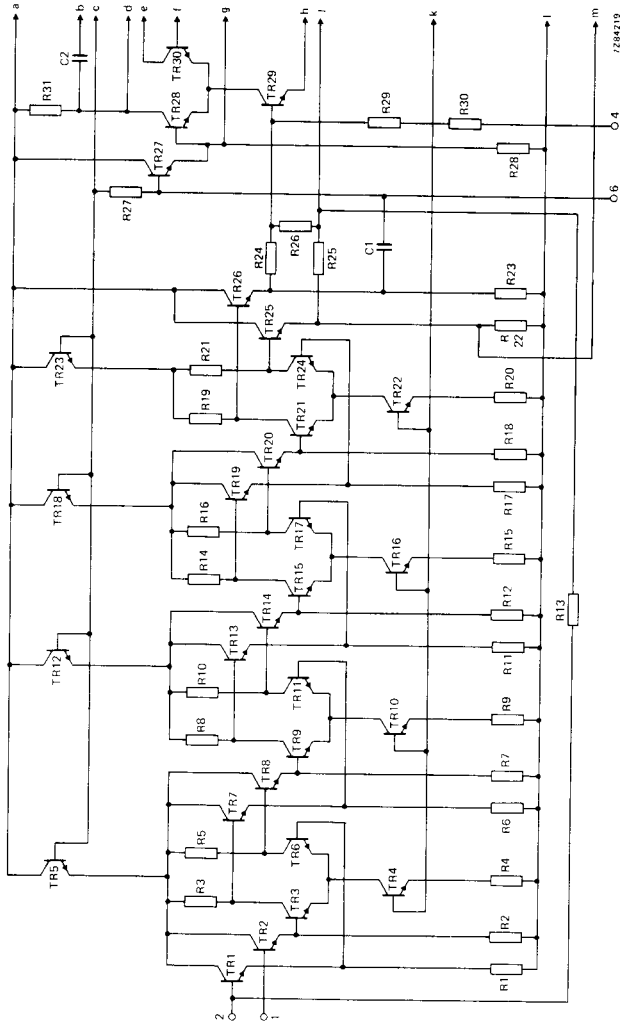


Fig. 1a Circuit diagram; continued in Fig. 1b.

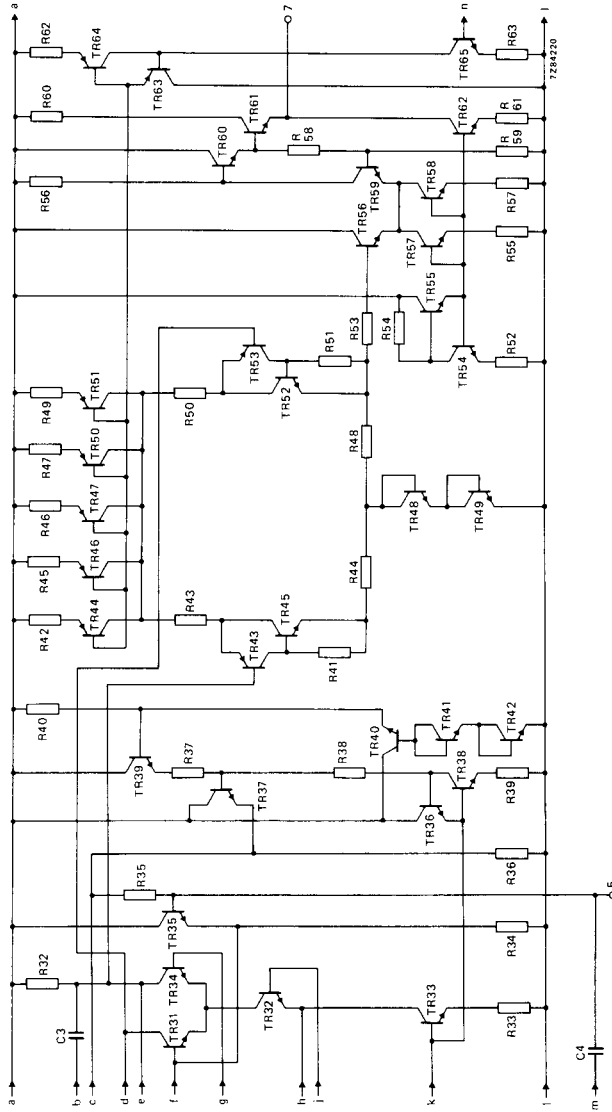


Fig. 1b Circuit diagram; continued from Fig. 1a; continued in Fig. 1c, for line 'n' see Fig. 1d.



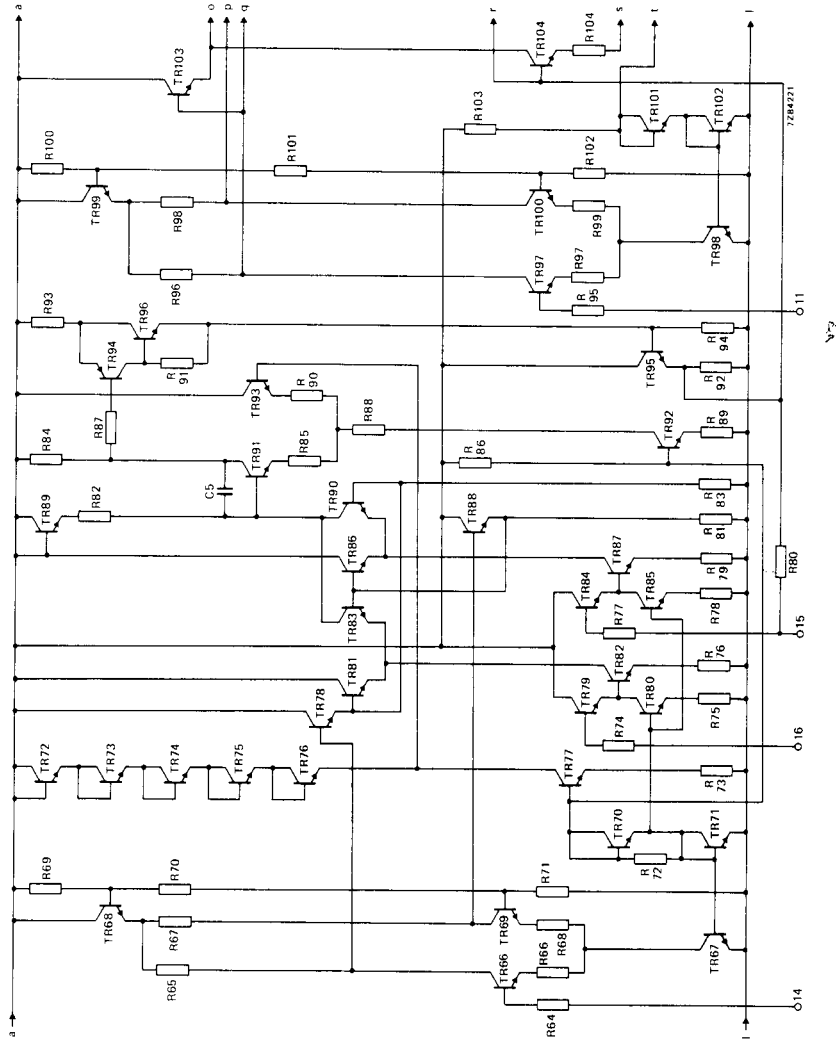


Fig. 1c Circuit diagram; continued from Fig. 1b; continued in Fig. 1d.

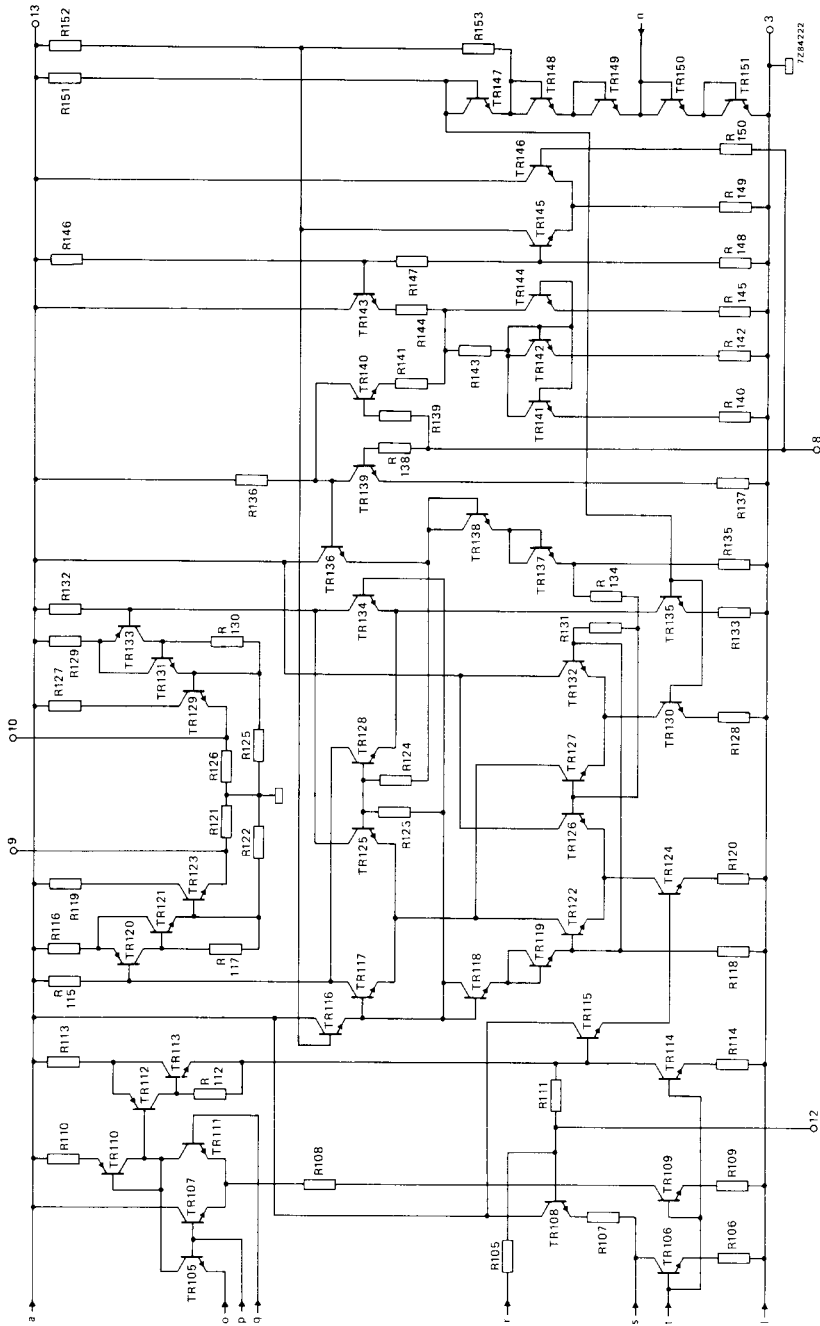


Fig. 1d Circuit diagram; continued from Fig. 1c and Fig. 1b.



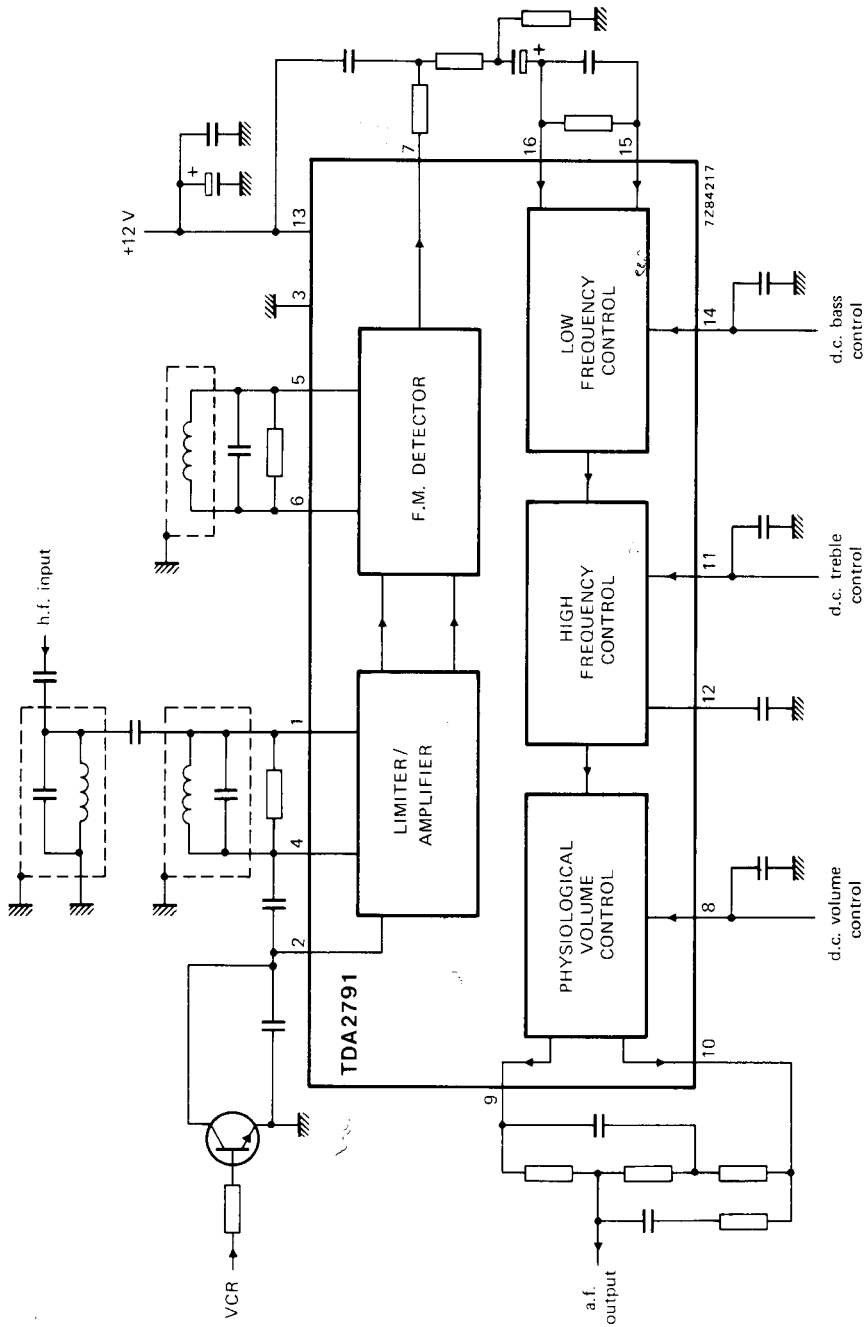


Fig. 2 Block diagram.

RATINGS

Limiting values in accordance with the Absolute Maximum System (IEC 134)

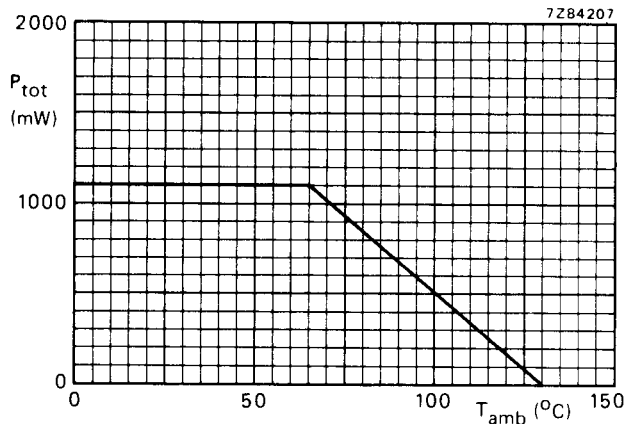
Supply voltage V_{13-3} max. 13,2 V

Fig. 3 Power derating curve.

Storage temperature	T_{stg}	-25 to + 130 °C
Operating ambient temperature	T_{amb}	-25 to + 65 °C

CHARACTERISTICSMeasured in Fig. 9 at $T_{amb} = 25$ °C; $V_{13-3} = 12$ V; $f = 5,5$ MHz (unless otherwise specified)

Supply voltage range	V_{13-3}	10,8 to 13,2 V
Total current drain	I_{13}	43 to 79 mA

Limiters/amplifier/demodulator (note 1)

Input limiting voltage at $V_{7-3} = -3$ dB (r.m.s. value)	$V_{i(rms)}$	typ.	100 μ V	
Input impedance	$ Z_{1-3} $	typ.	200 k Ω	
A.M. rejection				
$V_i = 0,5$ mV	} note 2	α	typ.	50 dB
$V_i = 1$ mV		α	typ.	50 dB
$V_i = 5$ mV		α	typ.	60 dB
$V_i = 50$ mV		α	typ.	55 dB

A.F. output voltage at pin 7 (r.m.s. value)			
$f_m = 1$ kHz; $\Delta f = \pm 27$ kHz; $V_i = 5$ mV; $Q_{L3} = 12,5$	$V_{O(rms)}$	typ.	700 mV

Notes

- The quadrature reference circuit must be tuned in such a way that there is no difference in the demodulator d.c. output voltage when the limiter input is switched from signal to no signal.
- See test set-up Fig. 4.

CHARACTERISTICS (continued)

Total harmonic distortion at pin 7

 $f_m = 1 \text{ kHz}; \Delta f = \pm 27 \text{ kHz}; V_i = 5 \text{ mV}$ d_{tot} typ. 0,35 %Zero-point stability at 30 μV to 10 mV; pin 7

typ. 2 kHz

Hum suppression; pin 7

typ. 20 dB

Signal-to-noise ratio at pin 7

 $f_m = 1 \text{ kHz}; \Delta f = \pm 27 \text{ kHz}; V_i = 5 \text{ mV}$ (note 1)

S/N typ. 63 dB

Demodulator output impedance

 $|Z_{7-3}|$ typ. 25 Ω **A.F. amplifier**

Input voltage bass control circuit at pin 16 (r.m.s. value)

at $\Delta f = \pm 27 \text{ kHz}$ $V_{i(\text{rms})}$ typ. 215 mV

Bass control

see graph, Fig. 5

Input impedance

 $|Z_{14-3}|$ typ. 500 k Ω

Treble control

see graph, Fig. 6

Input impedance

 $|Z_{11-3}|$ typ. 500 k Ω

Control voltages for flat frequency characteristic

 V_{11-3} typ. 3,2 V V_{14-3} typ. 3,2 V

Volume control

see graph, Fig. 7

Input current at $V_{8-3} = 4 \text{ V}$ I_g typ. 40 μA

Physiological volume control (bass and treble compensation)

see graph, Fig. 8

Voltage gain of audio part

 $f = 1 \text{ kHz}; V_{11-3} = 3,2 \text{ V}; V_{14-3} = 3,2 \text{ V}; V_{8-3} = 4 \text{ V}$ G_v typ. 4 dB

D.C. volume control range

> -75 dB

Weighted signal-to-noise ratio

 $V_{i(\text{rms})} = 215 \text{ mV}; -24 \text{ dB}$ volume control (notes 1 and 2)

typ. 56 dB

Total harmonic distortion at output

 $f = 1 \text{ kHz}; V_{i(\text{rms})} = 215 \text{ mV}$

(related to max. output; note 2) at:

0 dB

 d_{tot} typ. 0,2 %

-20 dB

 d_{tot} typ. 0,4 %**Notes**

1. Specified according to DIN 45405; weighted noise (peak value).
2. Measured at flat-tone control characteristics.

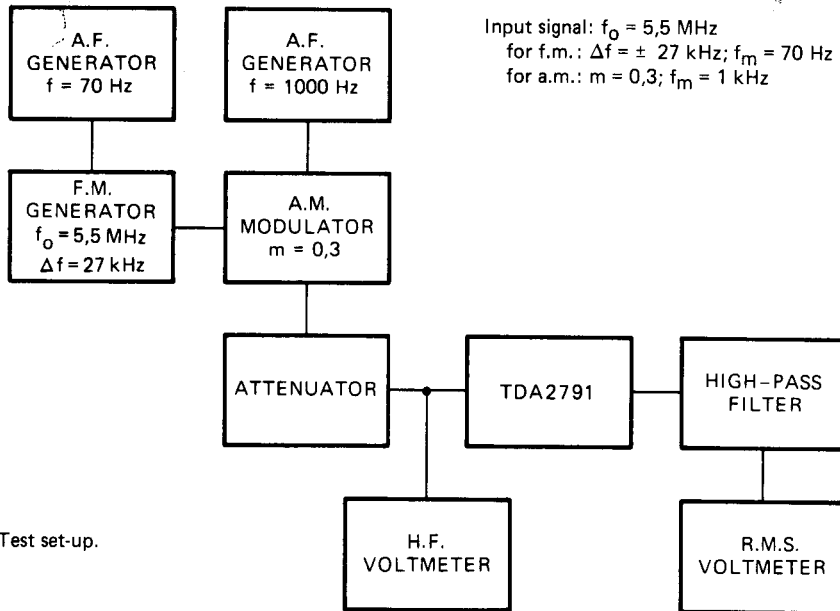


Fig. 4 Test set-up.

7Z84216

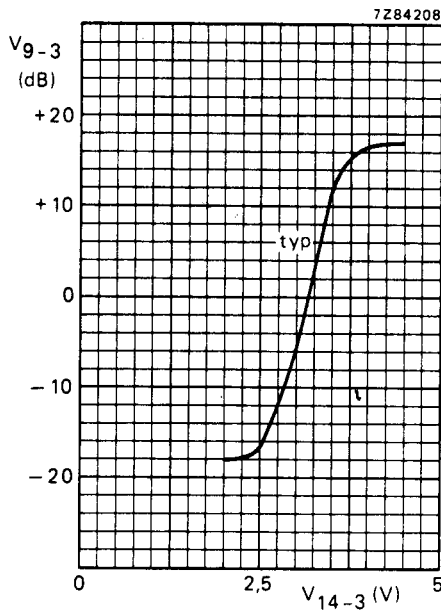


Fig. 5 Bass control curve; $f = 40 \text{ Hz}$;
 $V_{11-3} = 3,2 \text{ V}$; $V_{8-3} = 4 \text{ V}$.

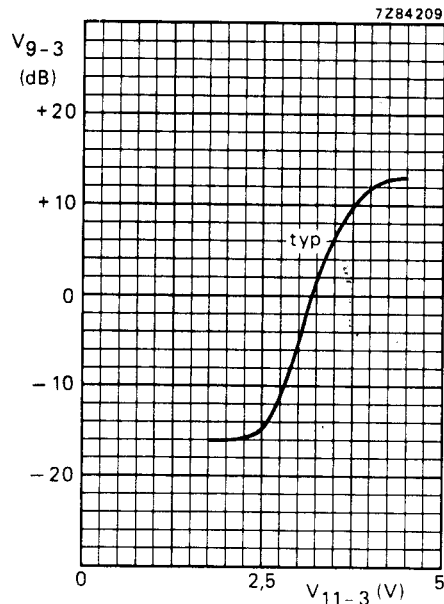


Fig. 6 Treble control curve; $f = 15 \text{ kHz}$;
 $V_{14-3} = 3,2 \text{ V}$; $V_{8-3} = 4 \text{ V}$.



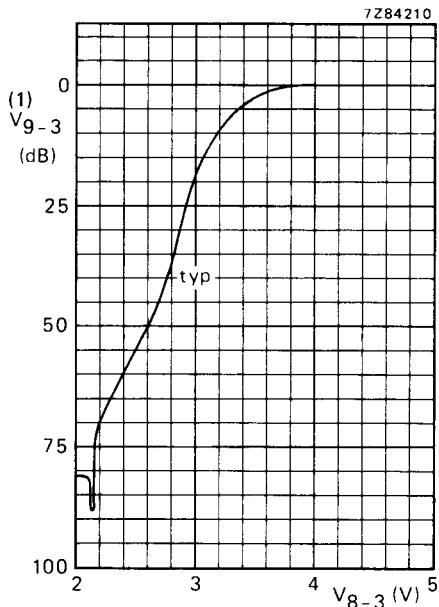


Fig. 7 Volume control curve; $f = 1 \text{ kHz}$.
 $V_{14-3} = 3,2 \text{ V}$; $V_{11-3} = 3,2 \text{ V}$.

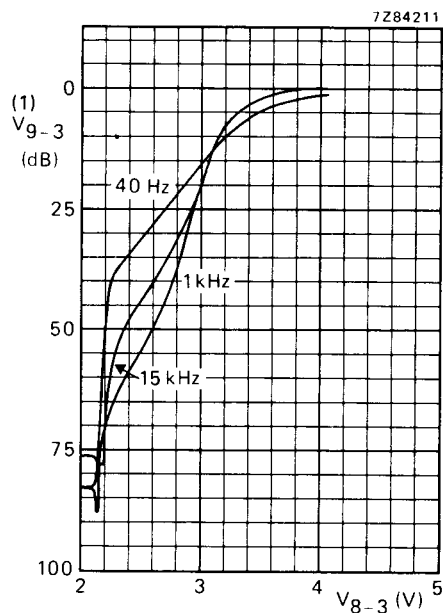


Fig. 8 Physiological volume control curves
 (typical values); $V_{14-3} = 3,2 \text{ V}$; $V_{11-3} = 3,2 \text{ V}$.

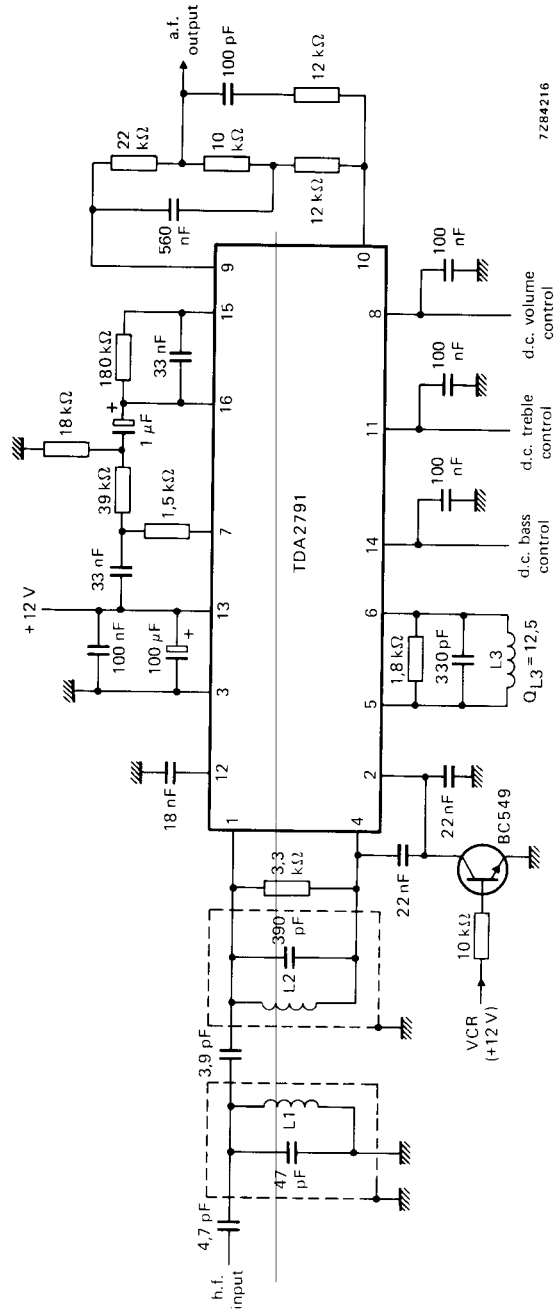
(1) This is actually the a.f. output voltage as shown in Fig. 9.

APPLICATION INFORMATION

The function is quoted against the corresponding pin number

1. Limiter input.
2. The decoupling capacitor for the internal limiter feedback is connected to this pin.
3. Negative supply (ground).
4. Limiter output for external feedback to pin 1.
- 5 and 6. External tank circuit (demodulator reference signal).
7. Demodulator output.
8. D.C. volume control.
- 9 and 10. External circuit for physiological volume control.
11. D.C. treble control.
12. External capacitor for treble control.
13. Positive supply.
14. D.C. bass control.
- 15 and 16. External circuit for bass control.





7284216

Fig. 9 Application circuit diagram.

