

## EPC1196G-X



- Unregulated DC/DC Converter
- Very High Efficiency : 80%-88% Typ.
- Operating Temperature : 0°C to +70°C
- Pri. & Sec. Wdg's : Double Insulated Wire
- Input/Output Isolation : 3000 Vrms
- UL94V-0 Recognized Materials

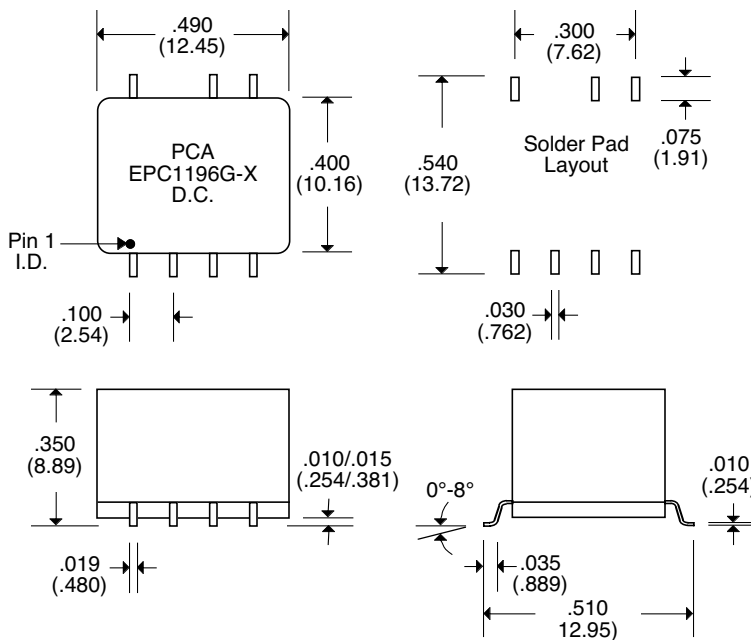
### Electrical Specifications

| PCA Part Numbers | V In Volts (± 10%) | V Out Volts | I Out (mA Max.) | Ripple & Noise (mV p-p) |      | Input Ripple Current (mA p-p) |      | Efficiency (% Typ.) @ Full Load | Input/Output Isolation (Vrms) |
|------------------|--------------------|-------------|-----------------|-------------------------|------|-------------------------------|------|---------------------------------|-------------------------------|
|                  |                    |             |                 | Typ.                    | Max. | Typ.                          | Max. |                                 |                               |
| EPC1196G-1       | 5.0                | 5.0         | 100             | 16.5                    | 25.0 | 8.0                           | 15.0 | 80                              | 3000                          |
| EPC1196G-2       | 5.0                | 6.5         | 77              | 16.5                    | 25.0 | 9.0                           | 15.0 | 84                              | 3000                          |
| EPC1196G-3       | 5.0                | 9.0         | 56              | 14.5                    | 25.0 | 8.0                           | 15.0 | 87                              | 3000                          |
| EPC1196G-4       | 5.0                | 12.0        | 42              | 13.5                    | 25.0 | 8.0                           | 15.0 | 88                              | 3000                          |
| EPC1196G-5       | 5.0                | 15.0        | 33.33           | 12.0                    | 25.0 | 9.0                           | 15.0 | 88                              | 3000                          |

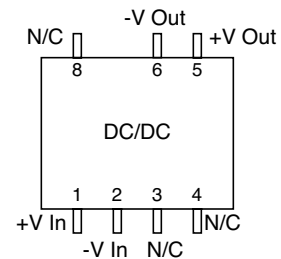
#### Notes :

1. Voltage Accuracy : ±1% Typ. @ Maximum Load
2. Input Filter : Capacitor
3. Line Voltage Regulation : 1%/% (Output Voltage Change Percentage/Input Voltage Change Percentage)
4. Load Voltage Regulation (10% to 100% Full Load) : +15% Max., -5% Max. for 5.0 V, 6.5 V, 9.0 V Out  
+10% Max., -5% Max. for 12 V, 0.15 V Out
5. Short Circuit Duration : 1 Second
6. Output Ripple Filtering : Simple 33 KHz L/C Filter can be added to reduce Output Ripple & Noise to 2 mV p-p
7. Minimum Load Requirement : 10%
8. Absolute Maximum Rating : V In = 7.0 Volt Max.
9. Input Current @ 0 Load : 4.5 mA Typ.
10. Load Voltage Regulation @ 0% Load : +35% Max. for 5.0 V, 6.5 V Out  
+ 25% Max. for 9.0 V Out  
+ 20% Max. for 12 V, 15 V Out

### Package



### Pin Connections



Unless Otherwise Specified Dimensions are in Inches /mm ±.010 / .25