

# SED9420C<sub>AC</sub>

## CMOS DATA SEPARATOR FOR FDD

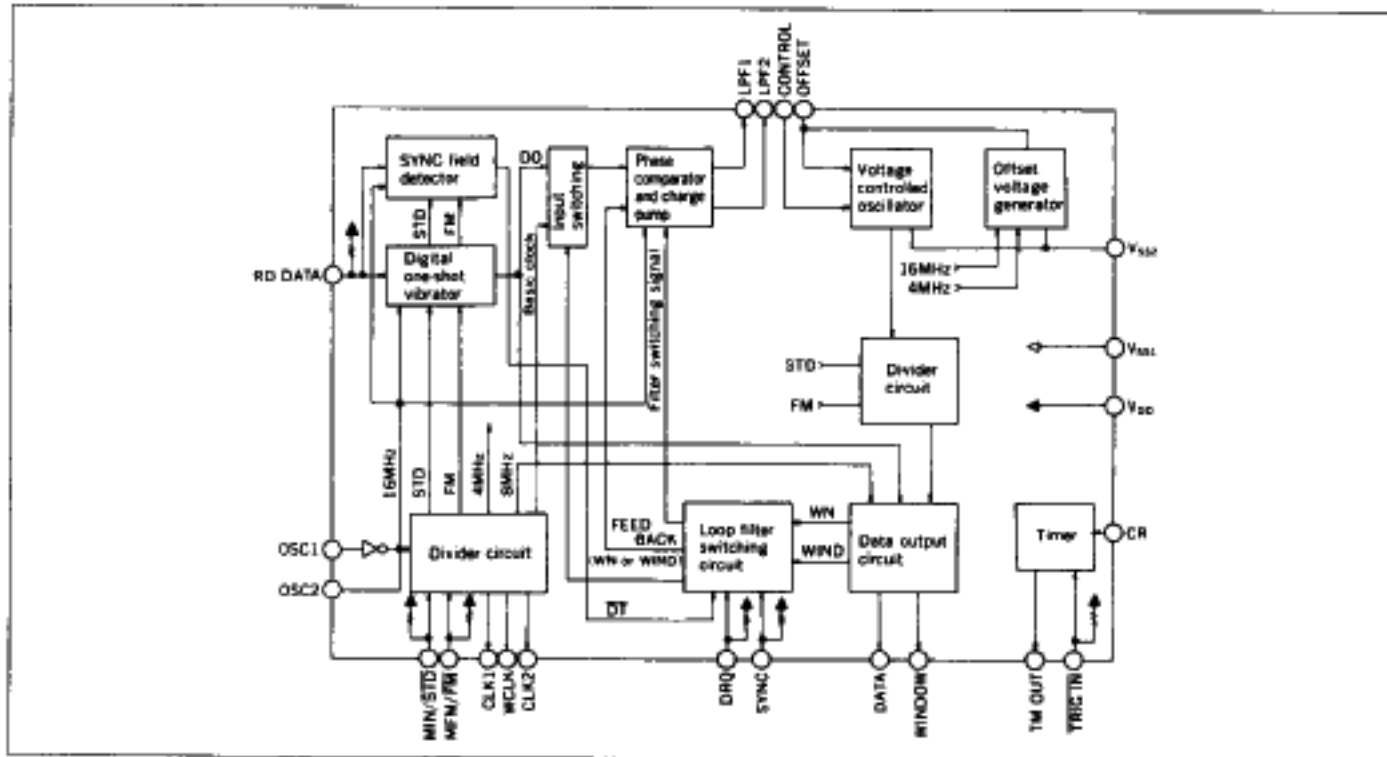
### DESCRIPTION

The SED9420C<sub>AC</sub> is a CMOS VFO data separator LSI for use in floppy disk interfaces. Equipped with its own SYNC field detection, loop filter switching, and timer functions, the IC allows construction of a one-chip VFO circuit with just a few external components. Floppy disk controllers which can be used with this IC are the  $\mu$ PD765,  $\mu$ PD765A, FD1791-02, FD1793-02, MB8876A, MB8877A.

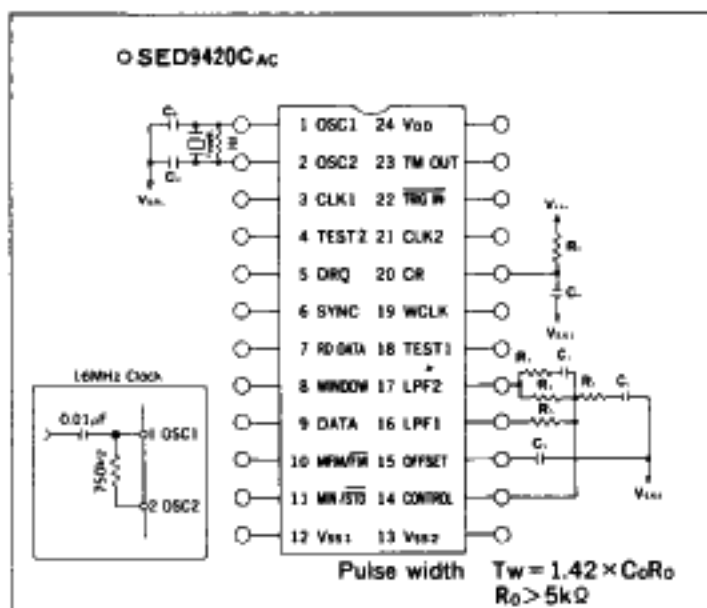
### FEATURES

- Data separation function using the VFO system (a phase locked loop)
- Switchable between 8-inch and 5 $\frac{1}{4}$ -inch floppy disk drives (FDDs)
- Recording can be switched between double density and single density
- Requires no adjustment and few external circuits
- Compatible with the IBM Format
- Clock output for floppy disk controllers .....to be connected with  $\mu$ PD765series, MB8877series or FD179Xseries
- Single 5V power supply
- TTL-compatible I/O pins (excluding OSC1 and OSC2)
- Built-in timer circuit (with external C-R)
- Package.....24-pin DIP(plastic)

### BLOCK DIAGRAM



**■ PIN CONFIGURATION AND AN EXAMPLE OF EXTERNAL CIRCUITS**



[Reference value of external circuits]

FDD	5 $\frac{1}{4}$ -inch/8-inch
R <sub>1</sub>	33k $\Omega$
R <sub>2</sub>	2.4k $\Omega$
R <sub>3</sub>	7.5k $\Omega$
R <sub>4</sub>	100 $\Omega$
C <sub>1</sub>	0.01 $\mu$ F
C <sub>2</sub>	3,300pF
C <sub>3</sub>	0.01 to 0.1 $\mu$ F
C <sub>D</sub>	10pF
C <sub>0</sub>	10pF
R <sub>T</sub>	1 M $\Omega$
f <sub>0</sub>	16MHz $\pm$ 0.5%

Accuracy of resistor  $\pm$ 5%, Accuracy of capacitor  $\pm$ 10%

**■ PIN DESCRIPTION**

Pin Name	Pin No.	Function	Pin Name	Pin No.	Function
OSC1	1	(1) Gate input terminal for the inverted amplifier of the crystal oscillator circuit. (2) Clock input terminal when using an external 16MHz clock.	V <sub>SS1</sub>	12	Ground terminal for the digital system.
			V <sub>SS2</sub>	18	Ground terminal for the analog system. (VCO ground)
OSC2	2	Drain output terminal for the crystal oscillator circuit's inverted amplifier.	CONTROL	14	Input terminal for the VCO (voltage controlled oscillator) control voltage.
CLK1	3	FDC clock output terminal (for the $\mu$ PD765) • f=8MHz for 8-inch floppy disk • f=4MHz for 5 $\frac{1}{4}$ -inch floppy disk	OFFSET	15	Input terminal for offset voltage for VCO center frequency correction. An external capacitor tied to this pin generates offset voltage.
TEST2*	4	Test terminal for testing functions (with pull-up resistor)	LPF1	16	Terminal for connecting the PLL system's loop filter. Selected when sync field is detected for frequency lock-in.
DRQ*	5	Input signal for FDC data transfer signal (with pull-up resistor)	LPF2	17	Terminal for connecting the PLL system's loop filter. Selected when ID and DATA fields are detected after frequency lock-in.
SYNC*	6	FDC control signal input terminal for GAP area and SYNC area detection (with pull-up resistor).	TEST1	18	Test terminal for testing functions (ordinarily not connected).
RD DATA*	7	Input terminal for the read data signal from the floppy disk drive (FDD) (with pull-up resistor).	WCLK	19	Write clock for the $\mu$ PD765 FDC. • 8-inch MFM: Interval T=1 $\mu$ s • 8-inch FM: Interval T=2 $\mu$ s • 5 $\frac{1}{4}$ -inch MFM: Interval T=2 $\mu$ s • 5 $\frac{1}{4}$ -inch FM: Interval T=4 $\mu$ s
WINDOW	8	Output terminal for the data window signal used to separate data pulses in the DATA signal from clock pulses.	CR	20	CR connection terminal for the timer circuit.
DATA	9	Output terminal for the read data signal produced from the RD DATA signal. Sent to the FDC together with the WINDOW signal, and is then separated into clock and data pulses.	CLK2	21	FDC clock output terminal (for the MB8877 and FD1791). • f=2MHz for 8-inch floppy disk • f=1MHz for 5 $\frac{1}{4}$ -inch floppy disk
MFM/FM*	10	Terminal for switching between double density and single density (with pull-up resistor) HIGH selects double density (MFM), LOW selects single density (FM).	TRIG IN*	22	Trigger input terminal for the timer circuit (with pull-up resistor).
MIN/STD*	11	Terminal for switching between 5 $\frac{1}{4}$ -inch and 8-inch floppy disks (with pull-up resistor). HIGH selects 5 $\frac{1}{4}$ -inch floppies LOW selects 8-inch floppies.	TM OUT	23	Retriggerable oneshot timer output terminal (Timer for head-load timing or motor-on signal, etc.)
			V <sub>DD</sub>	24	+5V power supply terminal

NOTE: \*Input terminals with pull-up resistors are pulled up through a standard resistance of 100K ohms. Since susceptibility to noise is increased by leaving terminals open, it is recommended that terminals which are to be kept HIGH be connected directly to V<sub>DD</sub>.

■ ABSOLUTE MAXIMUM RATINGS

(V<sub>SS</sub> = 0V)

Parameter	Symbol	Ratings	Unit
Supply voltage	V <sub>DD</sub>	-0.5 to 7.0	V
Input voltage	V <sub>I</sub>	-0.5 to V <sub>DD</sub> + 0.3	V
Output voltage	V <sub>O</sub>		
Operating temperature	T <sub>opr</sub>	-10 to 60	°C
Storage temperature	T <sub>stg</sub>	-65 to 150	°C
Soldering temperature and time	T <sub>sol</sub>	260°C, 10s (at lead)	-

■ ELECTRICAL CHARACTERISTICS

● DC Electrical Characteristics

(V<sub>SS</sub> = 0V)

Parameter	Symbol	Conditions	Min	Typ	Max	Unit
Operating supply voltage	V <sub>DD</sub>	—	4.75	5.0	5.25	V
High level input voltage	V <sub>IH</sub>	—	2.0	—	V <sub>DD</sub> + 0.3	V
Low level input voltage	V <sub>IL</sub>	—	-0.3	—	0.8	V
High level output voltage	V <sub>OH</sub>	I <sub>OH</sub> = -200μA	2.4	—	V <sub>DD</sub>	V
Low level output voltage	V <sub>OL</sub>	I <sub>OL</sub> = 2.0mA	0	—	0.4	V
High level input current*1	I <sub>IH1</sub>	V <sub>IH</sub> = V <sub>DD</sub>	—	—	2.0	μA
Low level input current*2	I <sub>IL1</sub>	V <sub>IL</sub> = V <sub>SS</sub> V <sub>DD</sub> = 5V	-100	-50	-10	μA
High level output current*3	I <sub>OH1</sub>	V <sub>OH</sub> = 2.4V	—	—	-200	μA
Low level output current*4	I <sub>OL1</sub>	V <sub>OL</sub> = 0.4V	2.0	—	—	mA
Current consumption	I <sub>DD</sub>	Output open, V <sub>DD</sub> = 5V, 16MHz oscillation	—	—	10	mA

\*1 HIGH input current for pins with pull-up resistors

\*2 LOW input current for pins with pull-up resistors

\*3 HIGH output current for driver output terminals

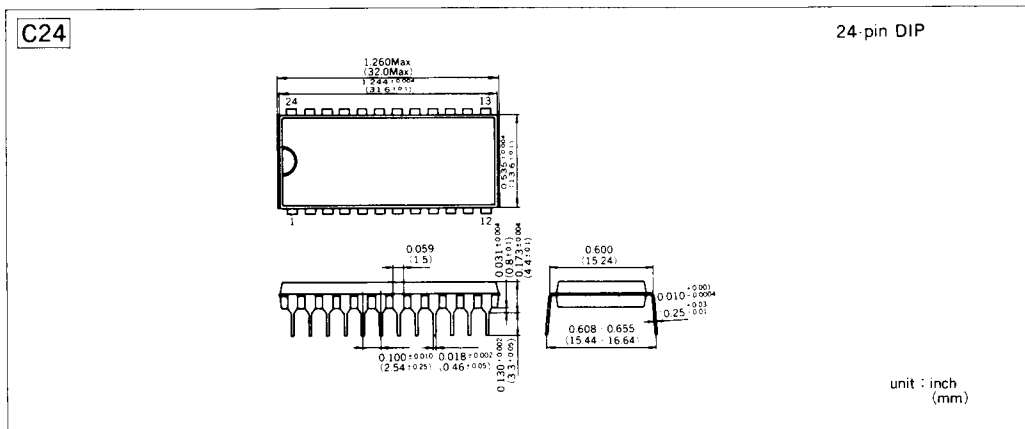
\*4 LOW output current for driver output terminals

● AC Electrical Characteristics

(Standard frequency ; f<sub>0</sub> = 16MHz)

Parameter	Symbol	Pin Name	Conditions	Min	Typ	Max	Unit
Frequency	f <sub>CLK1</sub>	CLK1	MIN/STD = Low	—	8.0	—	MHz
			MIN/STD = High	—	4.0	—	MHz
	f <sub>CLK2</sub>	CLK2	MIN/STD = Low	—	2.0	—	MHz
			MIN/STD = High	—	1.0	—	MHz
Cycle time and Window width	t <sub>cyWCL</sub> and t <sub>whWIND</sub>	WCLK and WINDOW	MIN/STD = Low MFM/FM = Low	—	2	—	μs
			MIN/STD = High MFM/FM = Low	—	4	—	μs
	MIN/STD = Low MFM/FM = High		—	1	—	μs	
	MIN/STD = High MFM/FM = High		—	2	—	μs	
High level width	t <sub>whDT</sub>	DATA	C <sub>L</sub> = 15pF	110	125	140	ns
High level width	t <sub>whRD</sub>	RD DATA	—	150	—	—	ns
VCO Oscillation frequency	f <sub>VCO</sub>	—	CONTROL terminal = V <sub>DD</sub> /2 External capacitance (0.1μF) connected to OFFSET terminal	3.8	4.0	4.3	MHz
VCO control voltage coefficient	K <sub>V</sub>	—	V <sub>DD</sub> /2-CONTROL voltage  ≤ 0.5V	1.0	1.2	1.4	MHz/V
Supply voltage rise time	V <sub>R</sub>	—	Time for voltage to rise from 10% level to 90%	5	—	—	ms

■ PACKAGE DIMENSIONS



NOTE : The SED9420CAC cannot execute the Read Truck Command of MB8877 and FD179X.

NOTE : It is impossible to read 8-inch Media with SED9420CAC when the GAP DATA of 8-inch Media is written in (00)H.