

450mA Low Dropout Linear Regulator of Adjustable and Fixed Voltages

Features

- Low Dropout Voltage of 1.3V at 450mA
- Output Voltage Accuracy $\pm 2.0\%$
- Line Regulation - 3mV (typ.)
- Load Regulation - 13mV (typ.)
- Input Voltage Range up to 9V
- Internal Current Limiting and Thermal Shutdown Protections
- Available Output Voltages -ADJ, 1.8V, 2.5V, 2.6V, 2.7V, 2.8V, 3.3V
- Various SOT-89 and TO-92 Packages Available

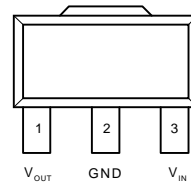
Applications

- Voltage Regulator for CD-ROM Drivers
- Voltage Regulator for LAN Cards
- Wireless Communication Systems
- Portable Instrument
- Portable Consumer Equipment
- Low Voltage Systems

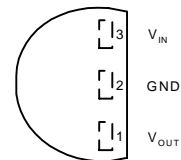
General Description

The APL5835 is a 3-pin low dropout linear regulator with 2.0% accuracy of output voltage over line , load and temperature variations . Dropout voltage at 450mA output current is less than 1.3V . Both output current limiting and thermal shutdown are built in to provide maximal protection to the APL5835 against fault conditions . The over current and thermal shutdown circuits become active when the current exceed 450mA , or the junction temperature reach 150°C . Normal operation is recovered when junction temperature drops below 130°C .

Pin Description

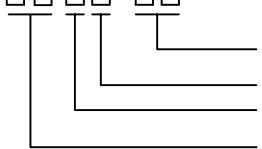


SOT-89 (Top View)

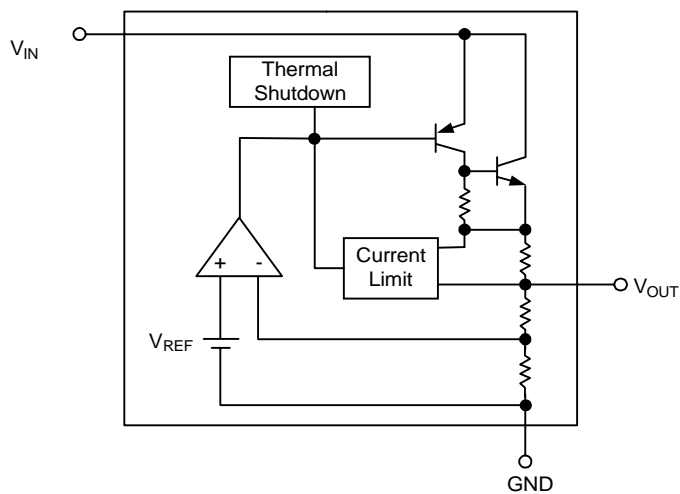


TO-92 (Top View)

Ordering and Marking Information

<p>APL5835 - □□□□-□□</p>  <p>Handling Code Temp. Range Package Code Voltage Code</p>	<p>Package Code D : SOT-89 E : TO-92 Temp. Range C : 0 to 70 °C Handling Code TU : Tube TR : Tape & Reel Voltage Code 18 : 1.8V 25 : 2.5V 26 : 2.6V 27 : 2.7V 28 : 2.8V 33 : 3.3V Blank : Adjustable Version</p>
<p>APL5835 D : APL5835 XXXXX XXXXX - Date Code</p>	<p>APL5835 E : APL 5835 XXXXX XXXXX - Date Code</p>
<p>APL5835 -18 D : APL5835 XXXXX18 XXXXX - Date Code</p>	<p>APL5835 -18 E : APL 5835 XXXXX18 XXXXX - Date Code</p>
<p>APL5835 -25 D : APL5835 XXXXX25 XXXXX - Date Code</p>	<p>APL5835 -25 E : APL 5835 XXXXX25 XXXXX - Date Code</p>
<p>APL5835 -26 D : APL5835 XXXXX26 XXXXX - Date Code</p>	<p>APL5835 -26 E : APL 5835 XXXXX26 XXXXX - Date Code</p>
<p>APL5835 -27 D : APL5835 XXXXX27 XXXXX - Date Code</p>	<p>APL5835 -27 E : APL 5835 XXXXX27 XXXXX - Date Code</p>
<p>APL5835 -28 D : APL5835 XXXXX28 XXXXX - Date Code</p>	<p>APL5835 -28 E : APL 5835 XXXXX28 XXXXX - Date Code</p>
<p>APL5835 -33 D : APL5835 XXXXX33 XXXXX - Date Code</p>	<p>APL5835 -33 E : APL 5835 XXXXX33 XXXXX - Date Code</p>

Block Diagram



Absolute Maximum Ratings

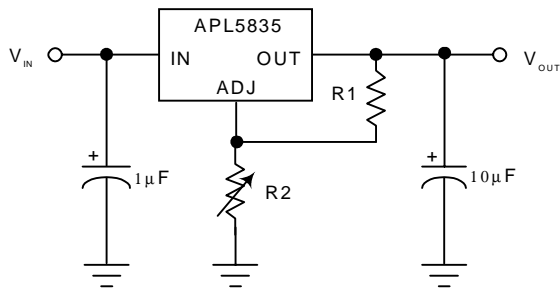
Symbol	Parameter	Rating	Unit
V_{IN}	Input Voltage	9	V
I_{OUT}	Output Current	450	mA
T_A	Operating Ambient Temperature Range	0 to 70	°C
T_J	Operating Ambient Temperature Range	-40 to +150	°C
T_{STG}	Storage Temperature Range	-65 to +150	°C
P_D	Power Dissipation Package	Interanal Limited	
θ_{JA}	Thermal Resistance	SOT-89	180
		TO-92	180

Electrical Characteristics cont. ($T_A=25^\circ\text{C}$, unless otherwise noted)

Symbol	Parameter	Test Condition	APL5835			Unit
			Min.	Typ.	Max.	
V_N	Input Voltage		$V_{OUT} + 1.45V$		8	V
V_{OUT}	Output Voltage	$I_{OUT}=10\text{mA}$	$0.9 V_{OUT}$		$1.02 V_{OUT}$	V
I_{OUT}	Output Current Capability	$\Delta V_{OUT}=2\%$	450			mA
I_{SC}	Short Circuit Current	$V_{OUT}<0.4V$		600		mA
I_Q	Quiescent Current	$V_N=5V$, No Load		6	10	mA
REG_{LINE}	Line Regulation APL5835 APL5835-18 APL5835-25 APL5835-26 APL5835-27 APL5835-28 APL5835-33	$T_J=0\sim 125^\circ\text{C}$ $I_{OUT}=10\text{mA}$, $V_{OUT}+1.7V\leq V_{IN}\leq 8V$ $I_{OUT}=0A$, $3.5V\leq V_{IN}\leq 8V$ $I_{OUT}=0A$, $4.2V\leq V_{IN}\leq 8V$ $I_{OUT}=0A$, $4.3V\leq V_{IN}\leq 8V$ $I_{OUT}=0A$, $4.4V\leq V_{IN}\leq 8V$ $I_{OUT}=0A$, $4.5V\leq V_{IN}\leq 8V$ $I_{OUT}=0A$, $5V\leq V_{IN}\leq 8V$		3	6	mV
REG_{LOAD}	Load Regulation APL5835 APL5835-18 APL5835-25 APL5835-26 APL5835-27 APL5835-28 APL5835-33	$T_J=0\sim 125^\circ\text{C}$ $(V_{IN}-V_{OUT})=1.7V$, $0\leq I_{OUT}\leq 0.45A$ $V_{IN}=3.5V$, $0\leq I_{OUT}\leq 0.45A$ $V_{IN}=4.2V$, $0\leq I_{OUT}\leq 0.45A$ $V_{IN}=4.5V$, $0\leq I_{OUT}\leq 0.45A$ $V_{IN}=4.4V$, $0\leq I_{OUT}\leq 0.45A$ $V_{IN}=4.5V$, $0\leq I_{OUT}\leq 0.45A$ $V_{IN}=5V$, $0\leq I_{OUT}\leq 0.45A$		13	20	mV
$V_{DROPOUT}$	Dropout Voltage	$I_{OUT}=450\text{mA}$, $\Delta V_{OUT}=1\%$		1300	1450	mV
PSRR	Power Supply Rejection Ratio	at 1kHz		55		dB
OTS	Over Temperature Shutdown			150		°C
E_N	Output Noise			100		μVrms
TC	Output Voltage Temperature Coefficient			100		ppm/°C

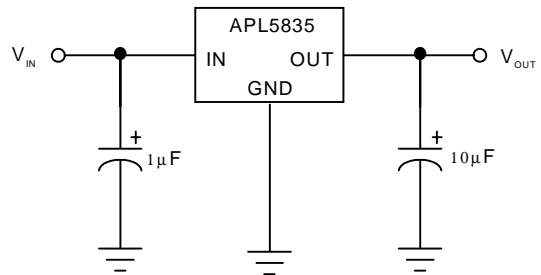
Application Schematic

1.25V to 7V Adjustable Regulator



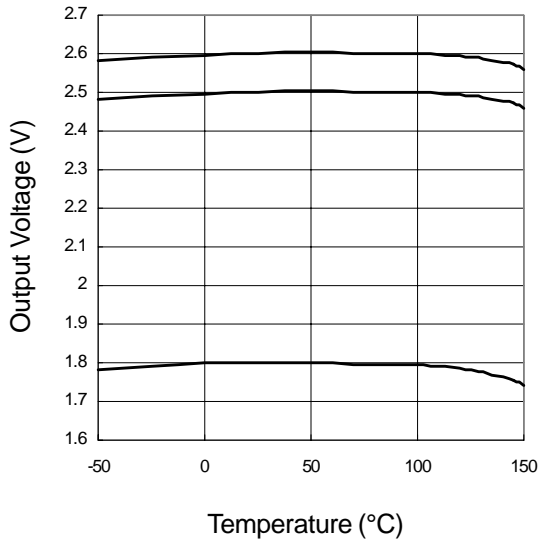
$$V_{OUT} = 1.250V \times \frac{R1 + R2}{R1}$$

Fixed 1.8V, 2.5V, 2.6V, 2.7V, 2.8V and 3.3V Regulator

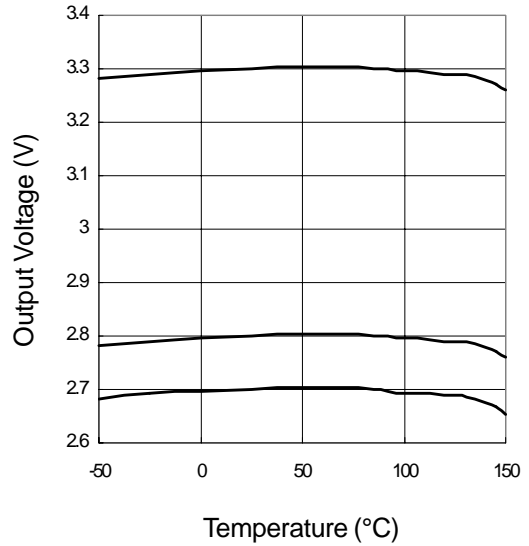


Typical Characteristics

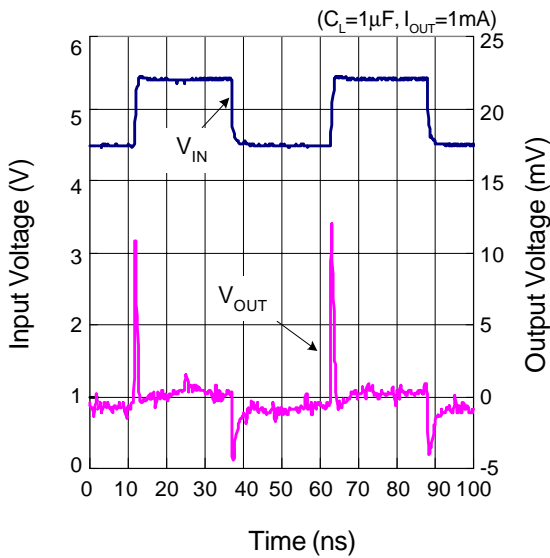
Output Voltage vs. Temperature



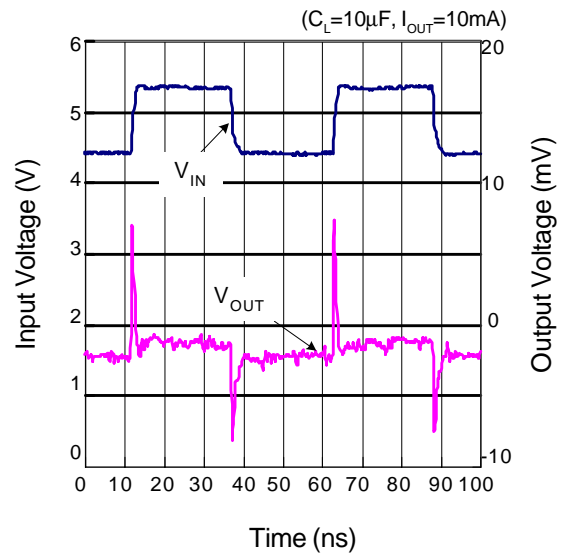
Output Voltage vs. Temperature



Line Transient Response

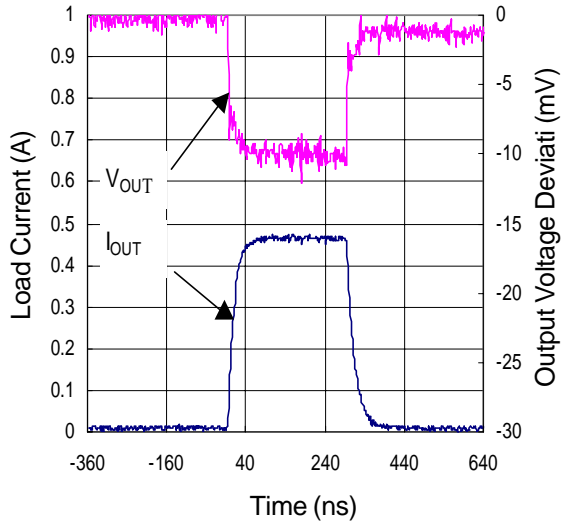


Line Transient Response

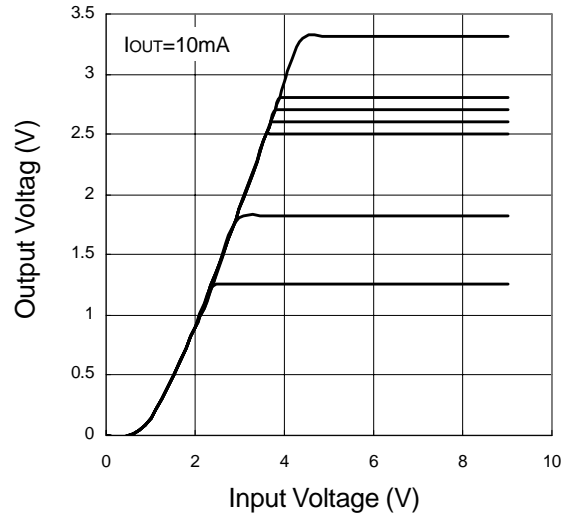


Typical Characteristics

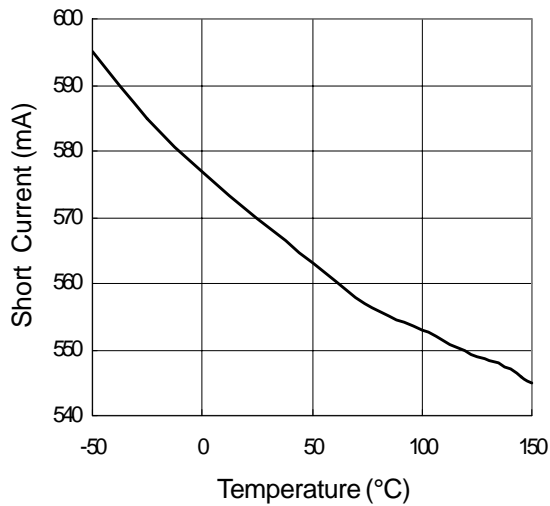
Load Transient Response



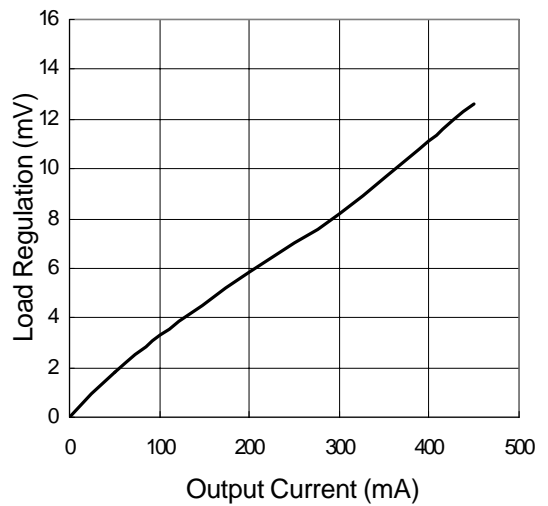
Output Voltage vs. Input Voltage



Short Current vs. Temperature

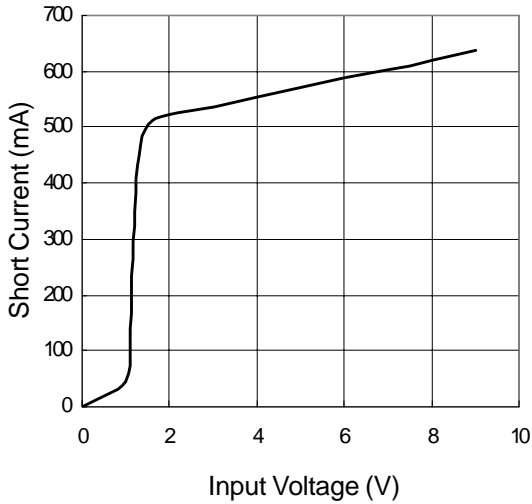


Output Current vs. Load Regulation

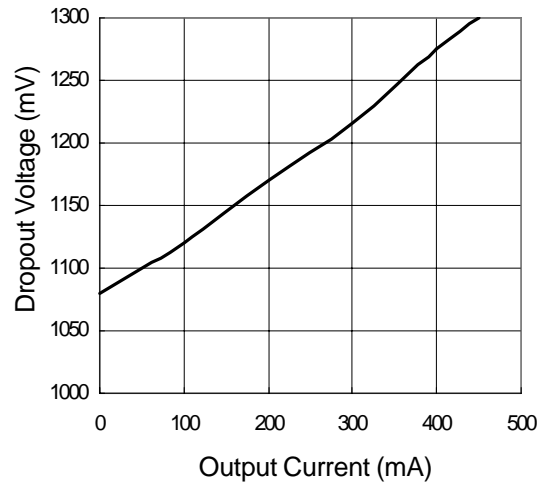


Typical Characteristics Cont.

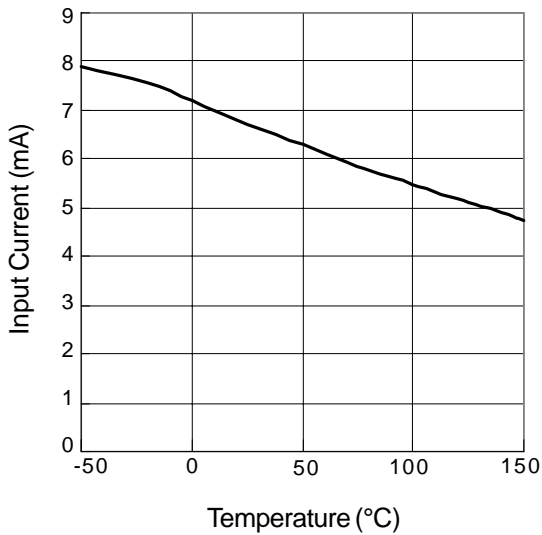
Short Current vs. Input Voltage



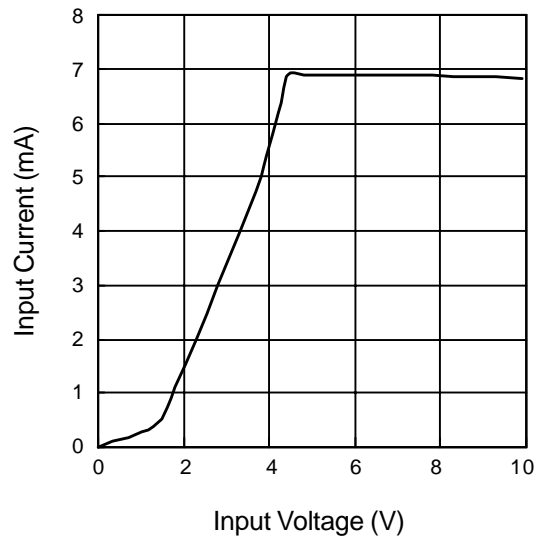
Output Current vs. Dropout Voltage



Input Current vs. Temperature

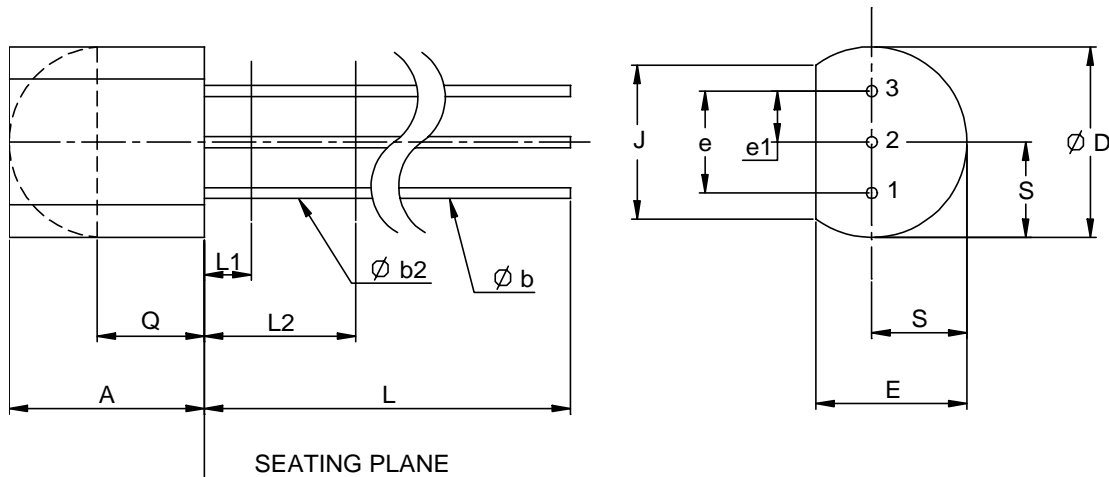


Input Current vs. Input Voltage



Packaging Information

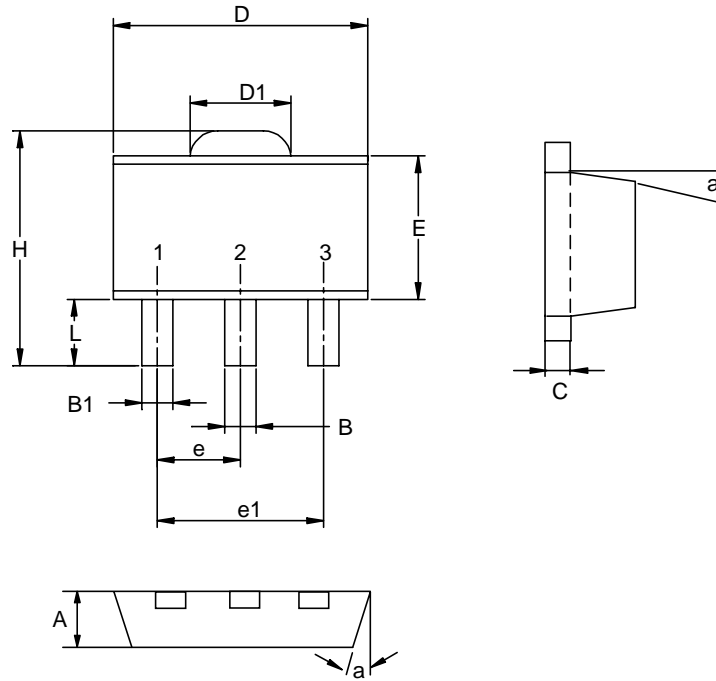
TO-92



Dim	Millimeters		Inches	
	Min.	Max.	Min.	Max.
A	4.58	5.33	0.170	0.210
phi b	0.41	0.53	0.160	0.021
phi b2	0.41	0.48	0.160	0.019
phi D	4.96	5.20	0.175	0.205
E	3.94	4.19	0.125	0.165
e	2.42	2.66	0.095	0.105
e1	1.15	1.39	0.045	0.055
J	3.43		0.135	
L	12.70		0.500	
L1		1.27		0.050
L2	6.35		0.250	
Q	2.93		0.115	
S	2.42	2.66	0.080	0.105

Packaging Information

SOT-89 (Reference EIAJ ED-7500A Registration SC-62)



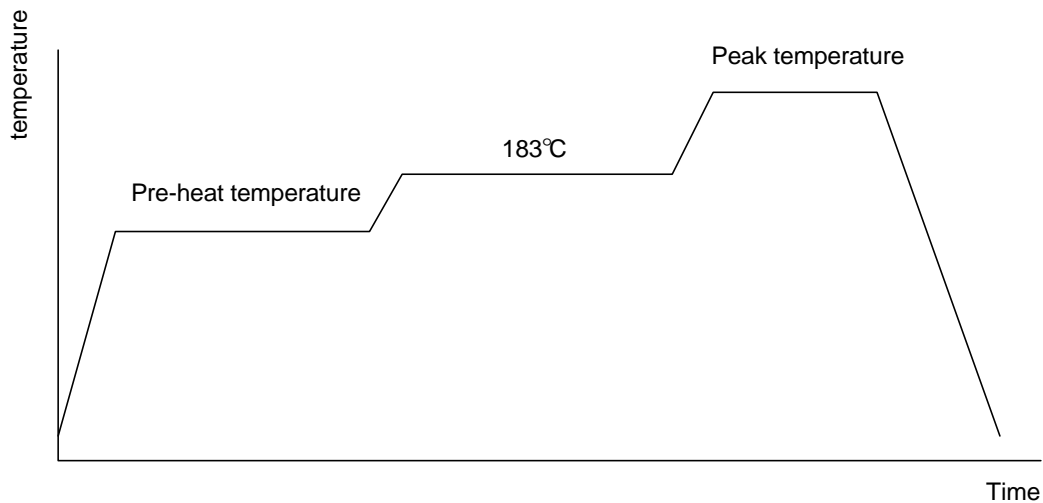
Dim	Millimeters		Inches	
	Min.	Max.	Min.	Max.
A	1.40	1.60	0.055	0.063
B	0.40	0.56	0.016	0.022
B1	0.35	0.48	0.014	0.019
C	0.35	0.44	0.014	0.017
D	4.40	4.60	0.173	0.181
D1	1.35	1.83	0.053	0.072
e	1.50 BSC		0.059 BSC	
e1	3.00 BSC		0.118 BSC	
E	2.29	2.60	0.090	0.102
H	3.75	4.25	0.148	0.167
L	0.80	1.20	0.031	0.047
α		10°		10°

Physical Specifications

Terminal Material	Solder-Plated Copper (Solder Material : 90/10 or 63/37 SnPb)
Lead Solderability	Meets EIA Specification RSI86-91, ANSI/J-STD-002 Category 3.

Reflow Condition (IR/Convection or VPR Reflow)

Reference JEDEC Standard J-STD-020A APRIL 1999



Classification Reflow Profiles

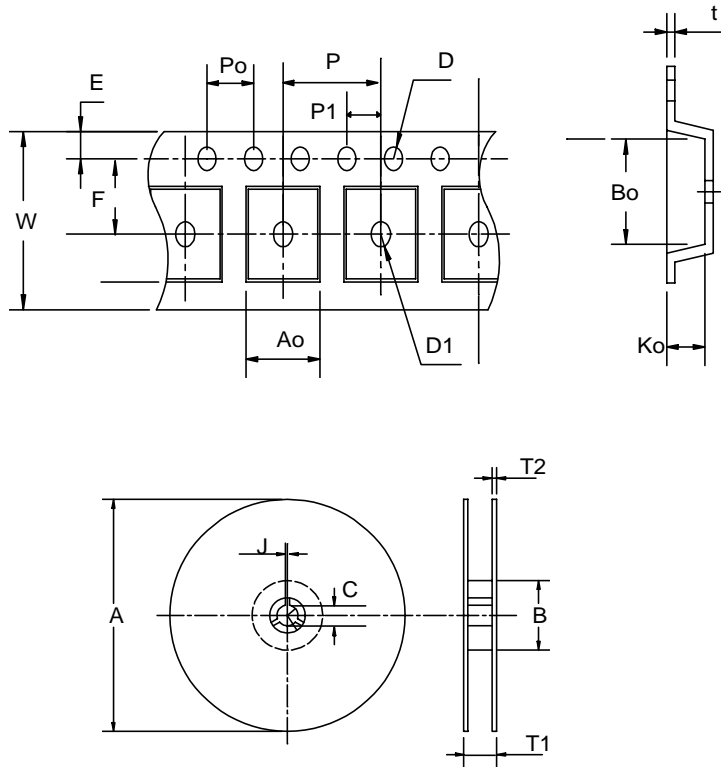
	Convection or IR/ Convection	VPR
Average ramp-up rate(183°C to Peak)	3°C/second max.	10°C /second max.
Preheat temperature 125 ± 25°C)	120 seconds max.	
Temperature maintained above 183°C	60 ~ 150 seconds	
Time within 5 °C of actual peak temperature	10 ~ 20 seconds	60 seconds
Peak temperature range	220 +5/-0°C or 235 +5/-0°C	215~ 219°C or 235 +5/-0 °C
Ramp-down rate	6°C /second max.	10°C /second max.
Time 25 °C to peak temperature	6 minutes max.	

pkg. thickness ≥ 2.5mm and all bags	pkg. thickness < 2.5mm and pkg. volume ≥ 350 mm	pkg. thickness < 2.5mm and pkg. volume <
Convection 220 +5/-0°C		Convection 235 +5/-0°C
VPR 215-219°C		VPR 235 +5/-0°C
IR/Convection 220 +5/-0°C		IR/Convection 235 +5/-0°C

Reliability test Program

Test item	Method	Description
SOLDERABILITY	MIL-STD-883D-2003	245° C , 5 SEC
HOLT	MIL-STD-883D-1005.7	1000 Hrs Bias @ 125 °C
PCT	JESD-22-B, A102	168 Hrs, 100 % RH , 121 °C
TST	MIL-STD-883D-1011.9	-65°C ~ 150°C , 200 Cycles
ESD	MIL-STD-883D-3015.7	VHBM > 2KV, VMM > 200V
Latch-Up	JESD 78	10ms , $I_{tr} > 100mA$

Carrier Tape & Reel Dimensions



Application	A	B	C	J	T1	T2	W	P	E
SOT-89	178 ± 1	70 ± 2	13.5 ± 0.15	3 ± 0.15	14 ± 2	1.3 ± 0.3	12 + 0.3 12 - 0.1	8 ± 0.1	1.75 ± 0.1
Application	F	D	D1	Po	P1	Ao	Bo	Ko	t
SOT-89	5.5 ± 0.05	1.5 ± 0.1	1.5 ± 0.1	4.0 ± 0.1	2.0 ± 0.1	4.8 ± 0.1	4.5 ± 0.1	1.80 ± 0.1	0.3 ± 0.013

(mm)

Cover Tape Dimensions

Application	Carrier Width	Cover Tape Width	Devices Per Reel
SOT- 89	12	9.3	1000

Customer Service

Anpec Electronics Corp.

Head Office :

5F, No. 2 Li-Hsin Road, SBIP,
Hsin-Chu, Taiwan, R.O.C.

Tel : 886-3-5642000

Fax : 886-3-5642050

Taipei Branch :

7F, No. 137, Lane 235, Pac Chiao Rd.,
Hsin Tien City, Taipei Hsien, Taiwan, R. O. C.

Tel : 886-2-89191368

Fax : 886-2-89191369