

FEATURES

Specified for V_{DD} of 2.35 V to 5.25 V

Low Power:

6 mW max at 625 kSPS with 3V Supplies

12 mW max at 625 kSPS with 5V Supplies

4 Analog Input Channels with a Sequencer

Software Configurable Analog Inputs:

4-Channel Single Ended Inputs

2-Channel Fully Differential Inputs

2-Channel Pseudo Differential Inputs

Accurate On-chip 2.5 V Reference

Wide Input Bandwidth:

70dB SNR at 50kHz Input Frequency

No Pipeline Delays

High Speed Parallel Interface - Word/Byte Modes

Full Shutdown Mode: 1 μ A max

28 Lead TSSOP Package

GENERAL DESCRIPTION

The AD7934-6 is a 12-bit, high speed, low power, successive approximation (SAR) ADC. It operates from a single 2.35 V to 5.25 V power supply and features throughput rates up to 625 kSPS. The AD7934-6 contains a low noise, wide bandwidth, differential track/hold amplifier that can handle input frequencies up to 3.5MHz.

The AD7934-6 features 4 analog input channels with a channel sequencer to allow a consecutive sequence of channels to be converted on. It can accept either Single-ended, Fully Differential or Pseudo Differential analog inputs.

The conversion process and data acquisition are controlled using standard control inputs allowing easy interfacing to Microprocessors and DSPs. The input signal is sampled on the falling edge of $\overline{\text{CONVST}}$ and the conversion is also initiated at this point.

The AD7934-6 has an accurate on-chip 2.5 V reference that can be used as the reference source for the analog to digital conversion. Alternatively, this pin can be overdriven to provide an external reference.

This part uses advanced design techniques to achieve very low power dissipation at high throughput rates. It also features flexible power management options. An on-chip Control register allows the user to set up different operating conditions including analog input range and configuration, output coding, power management and channel sequencing.

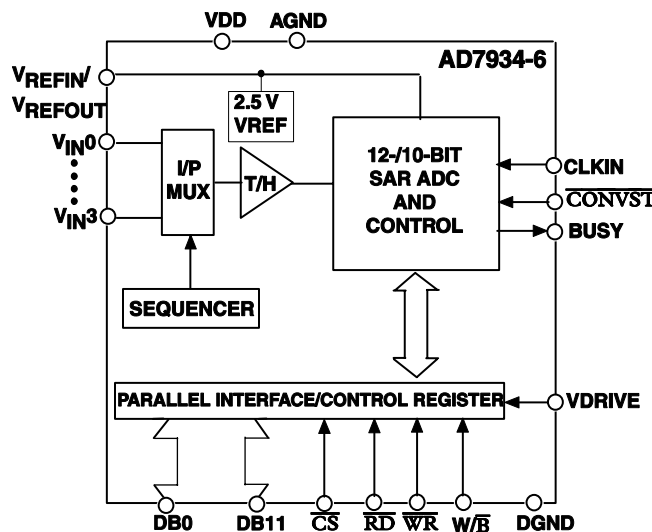


Figure 1. Functional Block Diagram

PRODUCT HIGHLIGHTS

1. High Throughput with Low Power Consumption.
2. Four Analog Inputs with a Channel Sequencer.
3. Accurate on-chip 2.5 V reference.
4. Software Configurable Analog Inputs. Single-Ended, Pseudo Differential or Fully Differential analog inputs that are software selectable.
5. Single-supply Operation with V_{DRIVE} Function. The V_{DRIVE} function allows the parallel interface to connect directly to 1.8 V, 3V or 5 V processor systems independent of V_{DD} .
6. No Pipeline Delay.
7. Accurate control of the sampling instance via a $\overline{\text{CONVST}}$ input and once off conversion control.

Rev. PrB

Information furnished by Analog Devices is believed to be accurate and reliable. However, no responsibility is assumed by Analog Devices for its use, nor for any infringements of patents or other rights of third parties that may result from its use. Specifications subject to change without notice. No license is granted by implication or otherwise under any patent or patent rights of Analog Devices. Trademarks and registered trademarks are the property of their respective companies.

AD7934-6

TABLE OF CONTENTS

Features	1	Typical Connection Diagram	17
General Description	1	Analog Input Structure.....	17
Product Highlights	1	The Analog Inputs.....	18
Specifications.....	3	Analog Input Selection	20
AD7934-6-6 Specifications.....	3	Reference Section	21
Timing Specifications	5	Parallel Interface.....	22
Absolute Maximum Ratings	7	power Modes Of Operation.....	23
Pin Function Description	8	Power vs. Throughput rate	23
PIN CONFIGURATION.....	8	Microprocessor Interfacing.....	23
Terminology	10	Application Hints	26
Typical Performance Characteristics AD7934-6	12	Grounding and Layout	26
Circuit Information.....	16	Outline Dimensions	27
Converter Operation.....	16	Ordering Guide	27
ADC Transfer Function.....	16		

REVISION HISTORY

Revision PrB: Initial Version

SPECIFICATIONS

AD7934-6 SPECIFICATIONS

$V_{DD} = V_{DRIVE} = 2.35 \text{ V to } 5.25 \text{ V}$, Internal/External $V_{REF} = 2.5 \text{ V}$, $F_{CLKIN} = 10 \text{ MHz}$, $F_{SAMPLE} = 625 \text{ kSPS}$; $T_A = T_{MIN}$ to T_{MAX} , unless otherwise noted.

Table 1.

Parameter	B Version ¹	Units	Test Conditions/Comments
DYNAMIC PERFORMANCE			
Signal to Noise + Distortion ² (SINAD)	70	dB min	$F_{IN} = 50 \text{ kHz}$ Sine Wave
Signal to Noise Ratio (SNR) ²	70	dB min	
Total Harmonic Distortion (THD) ²	-75	dB max	-80dB typ
Peak Harmonic or Spurious Noise (SFDR) ²	-75	dB max	-82dB typ
Intermodulation Distortion (IMD) ²			$f_a = 40.1 \text{ kHz}$, $f_b = 51.5 \text{ kHz}$
Second Order Terms	-85	dB typ	
Third Order Terms	-85	dB typ	
Aperture Delay ²	5	ns typ	
Aperture Jitter ²	50	ps typ	
Full Power Bandwidth ^{2,3}	20	MHz typ	@ 3 dB
	2.5	MHz typ	@ 0.1 dB
DC ACCURACY			
Resolution	12	Bits	
Integral Nonlinearity ²	± 1	LSB max	Guaranteed No Missed Codes to 12 Bits.
Differential Nonlinearity ²	± 0.95	LSB max	
Total Unadjusted Error	TBD	LSB max	
Single Ended & Pseudo Differential Input			
Offset Error ²	± 4.5	LSB max	Straight Binary Output Coding
Offset Error Match ²	± 0.5	LSB max	
Gain Error ²	± 2	LSB max	
Gain Error Match ²	± 0.6	LSB max	
Fully Differential Input			
Positive Gain Error ²	± 2	LSB max	Twos Complement Output Coding
Positive Gain Error Match ²	± 0.6	LSB max	
Zero Code Error ²	± 3	LSB max	
Zero Code Error Match ²	± 1	LSB max	
Negative Gain Error ²	± 1	LSB max	
Negative Gain Error Match ²	± 0.5	LSB max	
ANALOG INPUT			
Single Ended Input Range	0 to V_{REF} or 0 to $2 \times V_{REF}$	V	Depending on RANGE bit in the control register
Pseudo Differential Input Range: V_{IN+}	0 to V_{REF} or $2 \times V_{REF}$	V	Depending on RANGE bit in the control register
V_{IN-}	-0.1 to 0.4	V	
Fully Differential Input Range: V_{IN+} and V_{IN-}	$V_{CM} \pm V_{REF}/2$	V	$V_{CM} = \text{Common Mode Voltage} = V_{REF}/2$
V_{IN+} and V_{IN-}	$V_{CM} \pm V_{REF}$	V	Only when $V_{DD} = 4.75 \text{ V to } 5.25 \text{ V}$. $V_{CM} = V_{REF}$
DC Leakage Current ⁴	± 1	$\mu\text{A max}$	
Input Capacitance	45/10	pF typ	When in Track/Hold
REFERENCE INPUT/OUTPUT			
V_{REF} Input Voltage	2.5 ⁵	V	$\pm 1\%$ Specified Performance

¹ Temperature ranges as follows: B Versions: -40°C to $+85^\circ\text{C}$.

² See Terminology Section.

³ Analog inputs with slew rates exceeding $27 \text{ V}/\mu\text{s}$ (full-scale input sine wave $> 3.5 \text{ MHz}$) within the acquisition time may cause an incorrect result to be returned by the converter

⁴ Guaranteed by characterization

⁵ This device is operational with an external reference in the range 0.1 V to 3.5 V in differential mode and 0.1 V to V_{DD} in pseudo differential and single ended modes. See the Reference Section for more information.

Parameter	B Version ¹	Units	Test Conditions/Comments
V _{REF} Input Voltage	V _{DD}	V	V _{DD} < 2.7 V
DC Leakage Current	± 1	μA max	
V _{REF} Input Impedance	10	kΩ typ	
V _{REFOUT} Output Voltage	2.5	V	± 0.1% @ 25°C
V _{REFOUT} Tempco	15	ppm/°C typ	
V _{REF} Noise	10	μV typ	0.1Hz to 10Hz Bandwidth
	130	μV typ	0.1Hz to 1MHz Bandwidth
V _{REF} Output Impedance	10	Ω typ	
V _{REF} Input Capacitance	15/25	pF typ	When in Track/hold
LOGIC INPUTS			
Input High Voltage, V _{INH}	2.4	V min	V _{DRIVE} = 2.7 V to 5.25 V
	0.8 x V _{DRIVE}	V min	V _{DRIVE} < 2.7V
Input Low Voltage, V _{INL}	0.8	V max	V _{DRIVE} = 2.7 V to 5.25 V
	0.2 x V _{DRIVE}	V max	V _{DRIVE} < 2.7V
Input Current, I _{IN}	± 1	μA max	Typically 10 nA, V _{IN} = 0 V or V _{DRIVE}
Input Capacitance, C _{IN} ⁴	10	pF max	
LOGIC OUTPUTS			
Output High Voltage, V _{OH}	2.4	V min	I _{SOURCE} = 200 μA; V _{DRIVE} = 2.7 V to 5.25 V
	V _{DRIVE} - 0.2	V min	I _{SOURCE} = 200 μA; V _{DRIVE} < 2.7 V
Output Low Voltage, V _{OL}	0.4	V max	I _{SINK} =200μA
Floating-State Leakage Current	±10	μA max	
Floating-State Output Capacitance ⁴	10	pF max	
Output Coding	Straight (Natural) Binary 2s Complement		CODING bit in the control register set to 0. CODING bit in the control register set to 1.
CONVERSION RATE			
Conversion Time	t ₂ + 13 t _{CLK} + t ₂₀	ns	
Track/Hold Acquisition Time	350	ns max	Full Scale Step input.
Throughput Rate	625	kSPS max	
POWER REQUIREMENTS			
V _{DD}	2.35/5.25	V min/max	V _{DD} = 3.6 V to 5.25 V
V _{DRIVE}	3.6 /5.25	V min/max	V _{DD} = 2.7 V to 3.6 V
	1.6/3.6	V min/max	Digital I/Ps = 0V or V _{DRIVE} .
I _{DD} ⁶			V _{DD} = 2.7V to 5.25V. SCLK on or off.
Normal Mode(Static)	0.5	mA typ	V _{DD} = 4.75V to 5.25V.
Normal Mode (Operational)	2.4	mA max	V _{DD} = 2.7V to 3.6V.
Auto StandBy Mode	1.55	mA typ	F _{sample} = 100kSPS
	90	μA max	(Static)
Auto Shutdown Mode	1	mA typ	F _{sample} = 100kSPS
	1	μA max	(Static)
Full Shut-Down Mode	1	μA max	SCLK On or Off.
Power Dissipation			
Normal Mode (Operational)	12	mW max	V _{DD} = 5V.
	6	mW max	V _{DD} = 3V.
Auto Standby-Mode (Static)	450	μW max	V _{DD} = 5V.
	270	μW max	V _{DD} = 3V.
Auto Shutdown-Mode (Static)	5	μW max	V _{DD} = 5V.
	3	μW max	V _{DD} = 3V.
Full Shutdown-Mode	5 / 3	μW max	V _{DD} = 5V / 3V.

⁶ Measured with a midscale dc input.

TIMING SPECIFICATIONS¹

($V_{DD} = V_{DRIVE} = 2.35\text{ V to } 5.25\text{ V}$, Internal/External $V_{REF} = 2.5\text{ V}$, $F_{CLKIN} = 10\text{ MHz}$, $F_{SAMPLE} = 625\text{ kSPS}$; $T_A = T_{MIN}$ to T_{MAX} , unless otherwise noted.)

Table 2.

Parameter	Limit at T_{MIN}, T_{MAX}		Description
	AD7934-6	Units	
f_{CLKIN}^2	10	kHz min	Minimum time between conversions (i.e. time from when the data bus goes into three-state until the next falling edge of CONVST) \overline{CONVST} pulsewidth \overline{CONVST} falling edge to CLKIN falling edge setup time CLKIN falling edge to BUSY rising edge \overline{CS} to \overline{WR} setup time \overline{CS} to \overline{WR} hold time \overline{WR} Pulse Width Data Setup time before \overline{WR} Data Hold after \overline{WR} New data valid before falling edge of BUSY \overline{CS} to \overline{RD} setup time \overline{CS} to \overline{RD} hold time \overline{RD} Pulse Width Data access time after \overline{RD} Bus relinquish time after \overline{RD} Bus relinquish time after \overline{RD} HBEN to \overline{RD} setup time HBEN to \overline{RD} hold time Minimum time between Reads/Writes HBEN to \overline{WR} setup time HBEN to \overline{WR} hold time CLKIN falling edge to BUSY rising edge
	20	MHz max	
t_{quiet}	10	ns min	
t_1	10	ns min	
t_2	20	ns min	
t_3	Tbd	ns min	
t_4	0	ns min	
t_5	0	ns max	
t_6	25	ns min	
t_7	10	ns min	
t_8	5	ns min	
t_9	$1/2 t_{CLKIN}$	ns min	
t_{10}	0	ns min	
t_{11}	0	ns max	
t_{12}	55	ns min	
t_{13}^3	50	ns max	
t_{14}^4	5	ns min	
	40	ns max	
t_{15}	15	ns min	
t_{16}	5	ns min	
t_{17}	10	ns min	
t_{18}	0	ns min	
t_{19}	5	ns max	
t_{20}	Tbd	ns min	

¹ Guaranteed by characterization. All input signals are specified with $t_r = t_f = 5\text{ ns}$ (10% to 90% of V_{DD}) and timed from a voltage level of 1.6 Volts. All timing specifications given above are with a 25pF load capacitance. See Figure 2, Figure 3, Figure 4 and Figure 5.

² Mark/Space ratio for CLKIN is 40/60 to 60/40.

³ The time required for the output to cross TBD.

⁴ t_{14} is derived from the measured time taken by the data outputs to change 0.5 V. The measured number is then extrapolated back to remove the effects of charging or discharging the 25 pF capacitor. This means that the time, t_{14} quoted in the timing characteristics is the true bus relinquish time of the part and is independent of the bus loading.

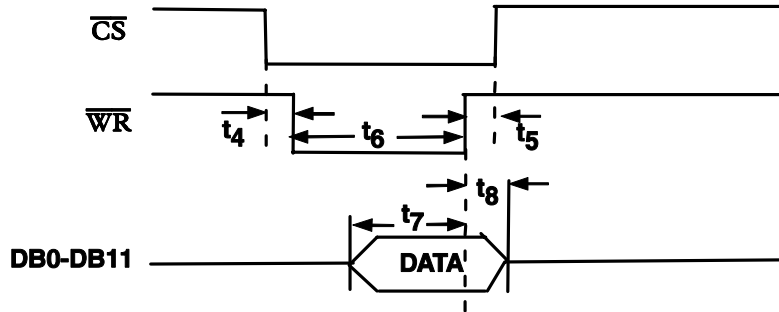


Figure 2. AD7934-6 Parallel Interface - Write Cycle timing for Word Mode Operation ($W/\overline{B} = 1$)

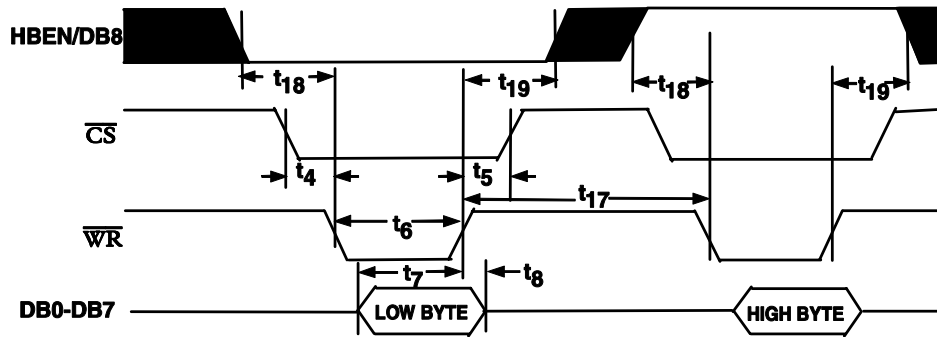


Figure 3. AD7934-6 Parallel Interface - Write Cycle Timing for Byte Mode Operation ($W/\overline{B} = 0$)

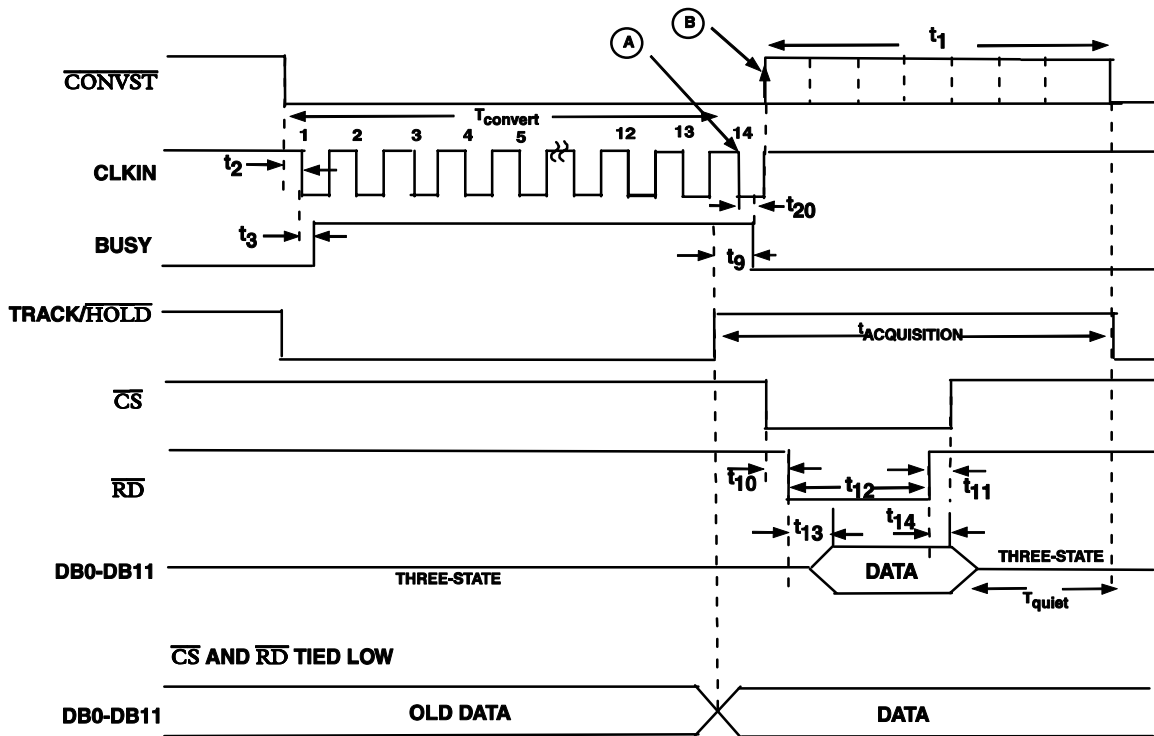


Figure 4. AD7934-6 Parallel Interface - Conversion and Read Cycle in Word Mode ($W/\overline{B} = 1$)

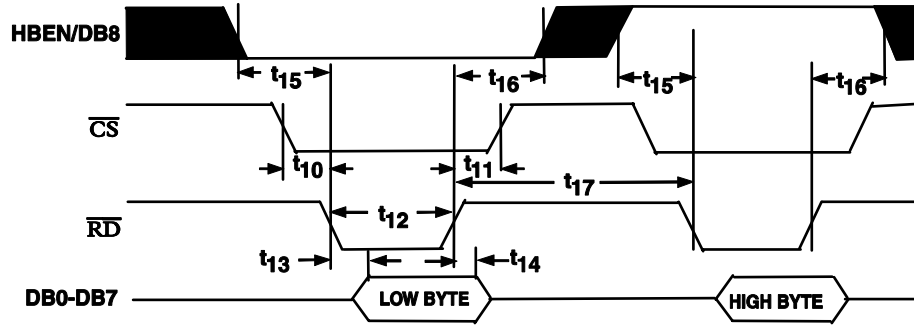


Figure 5. AD7934-6 Parallel Interface - Read Cycle Timing for Byte Mode Operation ($W/\bar{B} = 0$)

ABSOLUTE MAXIMUM RATINGS

($T_A = +25^\circ\text{C}$ unless otherwise noted)

Table 3.

Parameter	Rating
V_{DD} to AGND/DGND	-0.3 V to 7 V
V_{DRIVE} to AGND/DGND	-0.3 V to 7 V
Analog Input Voltage to AGND	-0.3 V to $V_{DD} + 0.3$ V
Digital Input Voltage to DGND	-0.3 V to 7 V
V_{DRIVE} to V_{DD}	-0.3 V to $V_{DD} + 0.3$ V
Digital Output Voltage to AGND	-0.3 V to $V_{DD} + 0.3$ V
V_{REFIN} to AGND	-0.3 V to $V_{DD} + 0.3$ V
Input Current to Any Pin Except Supplies ¹	± 10 mA
Operating Temperature Range	
Commercial (B Version)	-40°C to +85°C
Storage Temperature Range	-65°C to +150°C
Junction Temperature	+150°C
θ_{JA} Thermal Impedance	97.9°C/W (TSSOP)
θ_{JC} Thermal Impedance	14°C/W (TSSOP)
Lead Temperature, Soldering	
Vapor Phase (60 secs)	+215°C
Infrared (15 secs)	+220°C
ESD	2kV

¹ Transient currents of up to 100 mA will not cause SCR latch up.

Stresses above those listed under “Absolute Maximum Ratings” may cause permanent damage to the device. This is a stress rating only and functional operation of the device at these or any other conditions above those listed in the operational sections of this specification is not implied. Exposure to absolute maximum rating conditions for extended periods may affect device reliability.

ESD Caution

ESD (electrostatic discharge) sensitive device. Electrostatic charges as high as 4000 V readily accumulate on the human body and test equipment and can discharge without detection. Although this product features proprietary ESD protection circuitry, permanent damage may occur on devices subjected to high energy electrostatic discharges. Therefore, proper ESD precautions are recommended to avoid performance degradation or loss of functionality.



PIN FUNCTION DESCRIPTION

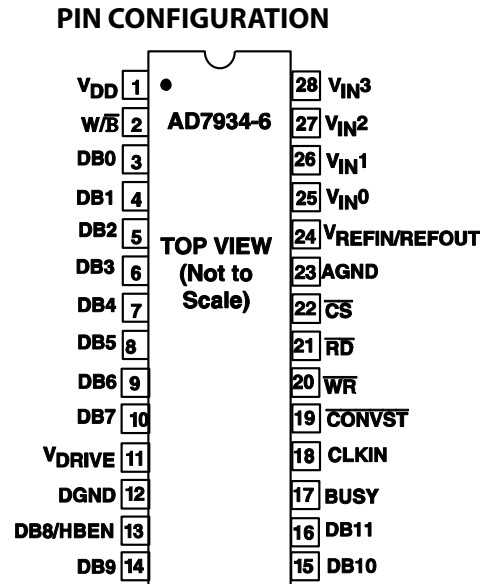


Figure 6. Pin Configuration

Table 4. Pin Configuration

Pin no.	Pin Mnemonic	Function
1	V _{DD}	Power Supply Input. The V _{DD} range for the AD7934-6 is from +2.35 V to +5.25 V. The supply should be decoupled to AGND with a 0.1μF capacitor and a 10μF tantalum capacitor.
2	W / \bar{B}	Word/Byte Input. When this input is logic high, data is transferred to and from the AD7934-6 in 12-bit words on pins DB0 to DB11. When this pin is logic low, byte transfer mode is enabled. Data and the channel ID is transferred on pins DB0 to DB7 and pin DB8/HBEN assumes its HBEN functionality.
3-10	DB0 to DB7	Data Bits 0 to 7. Three state parallel digital I/O pins that provide the conversion result and also allows the Control register to be programmed. These pins are controlled by \bar{CS} , \bar{RD} and \bar{WR} . The logic high/low voltage levels for these pins are determined by the V _{DRIVE} input.
11	V _{DRIVE}	Logic Power Supply Input. The voltage supplied at this pin determines at what voltage the parallel interface of the AD7934-6 will operate.
12	DGND	Digital Ground. This is the ground reference point for all digital circuitry on the AD7934-6. The DGND and AGND voltages should ideally be at the same potential and must not be more than 0.3 V apart, even on a transient basis.
13	DB8/HBEN	Data Bit 8/High Byte Enable. When $\bar{W/B}$ is high, this pin acts as Data Bit 8, a three state I/O pin that is controlled by \bar{CS} , \bar{RD} and \bar{WR} . When $\bar{W/B}$ is low, this pin acts as the high byte enable pin. When HBEN is low, the low byte of data being written to or read from the AD7934-6 is on DB0 to DB7. When HBEN is high, the top 4 bits of the data being written to or read from the AD7934-6 are on DB0 to DB3. When reading from the device, DB4 of the high byte will always be zero and DB5 and DB6 will contain the ID of the channel for which the conversion result corresponds (See Channel Address Bits in Table 7). When writing to the device, DB4 to DB7 of the high byte must be all zeros.
14-16	DB9 to DB11	Data Bits 9 to 11. Three state parallel digital I/O pins that provide the conversion result and also allows the Control register to be programmed in Word Mode. These pins are controlled by \bar{CS} , \bar{RD} and \bar{WR} . The logic high/low voltage levels for these pins are determined by the V _{DRIVE} input.
17	BUSY	Busy Output. Logic output indicating the status of the conversion. The BUSY output goes high following the falling edge of \overline{CONVST} and stays high for the duration of the conversion. Once the conversion is complete and the result is available in the output register, the BUSY output will go low. The track/hold returns to track mode just prior to the falling edge of BUSY and the acquisition time for the part begins when BUSY goes low.
18	CLKIN	Master Clock Input. The clock source for the conversion process is applied to this pin. Conversion time for the AD7934-6 takes 13.5 clock cycles. The frequency of the master clock input therefore determines the conversion time and achievable throughput rate.
19	\overline{CONVST}	Conversion Start Input. A falling edge on \overline{CONVST} is used to initiate a conversion. The track/hold goes from track to hold mode on the falling edge of \overline{CONVST} and the conversion process is initiated at this point. Following powerdown, when operating in the Auto-shutdown or Auto Standby mode, a rising edge on \overline{CONVST} is used to power up the device.

Pin no.	Pin Mnemonic	Function
20	\overline{WR}	Write Input. Active low logic input used in conjunction with \overline{CS} to write data to the Control register.
21	\overline{RD}	Read Input. Active low logic input used in conjunction with \overline{CS} to access the conversion result. The conversion result is placed on the data bus following the falling edge of \overline{RD} read while \overline{CS} is low.
22	\overline{CS}	Chip Select. Active low logic input used in conjunction with \overline{RD} and \overline{WR} to Read conversion data or to Write data to the Control register.
23	AGND	Analog Ground. This is the ground reference point for all analog circuitry on the AD7934-6. All analog input signals and any external reference signal should be referred to this AGND voltage. The AGND and DGND voltages should ideally be at the same potential and must not be more than 0.3 V apart, even on a transient basis.
24	V_{REFIN}/V_{REFOUT}	Reference Input/Output. This pin is connected to the internal reference and is the reference source for the ADC. The nominal internal reference voltage is 2.5 V and this appears at this pin. This pin can be overdriven by an external reference. The input voltage range for the external reference is 0.1 V to 3.5 V for differential mode and is 0.1 V to V_{DD} in single ended and pseudo differential mode, depending on V_{DD} .
25-28	$V_{IN0} - V_{IN3}$	Analog Input 0 to Analog Input 3. Four analog input channels that are multiplexed into the on-chip track/hold. The analog inputs can be programmed to be four single ended inputs, two fully differential pairs or two pseudo differential pairs by setting the MODE bits in the Control register appropriately (see Table 7). The analog input channel to be converted can either be selected by writing to the Address bits (ADD1 and ADD0) in the control register prior to the conversion, or the on-chip sequencer can be used. The input range for all input channels can either be 0 V to V_{REF} or 0 V to $2 \times V_{REF}$ and the coding can be binary or two's complement, depending on the states of the RANGE and CODING bits in the Control register. Any unused input channels should be connected to AGND to avoid noise pickup.

AD7934-6

TERMINOLOGY

Integral Nonlinearity

This is the maximum deviation from a straight line passing through the endpoints of the ADC transfer function. The endpoints of the transfer function are zero scale, a point 1 LSB below the first code transition, and full scale, a point 1 LSB above the last code transition.

Differential Nonlinearity

This is the difference between the measured and the ideal 1 LSB change between any two adjacent codes in the ADC.

Offset Error

This is the deviation of the first code transition (00...000) to (00...001) from the ideal, i.e. $AGND + 1 \text{ LSB}$

Offset Error Match

This is the difference in offset error between any two channels.

Gain Error

This is the deviation of the last code transition (111...110) to (111...111) from the ideal (i.e., $V_{REF} - 1 \text{ LSB}$) after the offset error has been adjusted out.

Gain Error Match

This is the difference in Gain error between any two channels.

Zero Code Error

This applies when using the 2's complement output coding option, in particular to the $2 \times V_{REF}$ input range with $-V_{REF}$ to $+V_{REF}$ biased about the V_{REFIN} point. It is the deviation of the mid scale transition (all 0s to all 1s) from the ideal V_{IN} voltage, i.e. $V_{REF} - 1 \text{ LSB}$.

Zero Code Error Match

This is the difference in Zero Code Error between any two channels.

Positive Gain Error

This applies when using the 2's complement output coding option, in particular to the $2 \times V_{REF}$ input range with $-V_{REF}$ to $+V_{REF}$ biased about the V_{REFIN} point. It is the deviation of the last code transition (011...110) to (011...111) from the ideal (i.e., $+V_{REF} - 1 \text{ LSB}$) after the Zero Code Error has been adjusted out.

Positive Gain Error Match

This is the difference in Positive Gain Error between any two channels.

Negative Gain Error

This applies when using the 2's complement output coding option, in particular to the $2 \times V_{REF}$ input range with $-V_{REF}$ to $+V_{REF}$ biased about the V_{REF} point. It is the deviation of the first code transition (100...000) to (100...001) from the ideal (i.e., $-V_{REFIN} + 1 \text{ LSB}$) after the Zero Code Error has been adjusted out.

Negative Gain Error Match

This is the difference in Negative Gain Error between any two channels.

Channel-to-Channel Isolation

Channel-to-Channel Isolation is a measure of the level of crosstalk between channels. It is measured by applying a fullscale sine wave signal to all 3 nonselected input channels and applying a 50kHz signal to the selected channel. The channel to channel isolation is defined as the ratio of the power of the 50kHz signal on the selected channel, to the power of the noise signal that appears in the FFT of this channel.

PSRR (Power Supply Rejection Ratio)

The power supply rejection ratio is defined as the ratio of the power in the ADC output at full-scale frequency, f , to the power of a 100mV p-p sine wave applied to the ADC V_{DD} supply of frequency f_s . The frequency of the input varies from 1kHz to 1MHz.

$$PSRR (dB) = 10 \log(P_f/P_{f_s})$$

P_f is the power at frequency f in the ADC output; P_{f_s} is the power at frequency f_s in the ADC output.

Track/Hold Acquisition Time

The track/hold amplifier returns into track mode and the end of conversion. Track/Hold acquisition time is the time required for the output of the track/hold amplifier to reach its final value, within $\pm 1/2 \text{ LSB}$, after the end of conversion.

Signal to (Noise + Distortion) Ratio (SINAD)

This is the measured ratio of signal to (noise + distortion) at the output of the A/D converter. The signal is the rms amplitude of the fundamental. Noise is the sum of all non-fundamental signals up to half the sampling frequency ($f_s/2$), excluding dc. The ratio is dependent on the number of quantization levels in the digitization process; the more levels, the smaller the quantization noise. The theoretical signal to (noise + distortion) ratio for an ideal N-bit converter with a sine wave input is given by:

$$\text{Signal to (Noise + Distortion)} = (6.02 N + 1.76) \text{ dB}$$

Thus for a 12-bit converter, this is 74 dB.

Total Harmonic Distortion

Total harmonic distortion (THD) is the ratio of the rms sum of harmonics to the fundamental. For the AD7934-6, it is defined as:

$$THD(dB) = -20 \log \frac{\sqrt{V_2^2 + V_3^2 + V_4^2 + V_5^2 + V_6^2}}{V_1}$$

where V_1 is the rms amplitude of the fundamental and V_2, V_3, V_4, V_5 and V_6 are the rms amplitudes of the second through the sixth harmonics.

Peak Harmonic or Spurious Noise

Peak harmonic or spurious noise is defined as the ratio of the rms value of the next largest component in the ADC output spectrum (up to $f_s/2$ and excluding dc) to the rms value of the fundamental. Normally, the value of this specification is determined by the largest harmonic in the spectrum, but for ADCs where the harmonics are buried in the noise floor, it will be a noise peak

Intermodulation Distortion

With inputs consisting of sine waves at two frequencies, f_a and f_b , any active device with nonlinearities will create distortion products at sum and difference frequencies of $m f_a \pm n f_b$ where $m, n = 0, 1, 2, 3$, etc. Intermodulation distortion terms are those for which neither m nor n are equal to zero. For example, the second order terms include $(f_a + f_b)$ and $(f_a - f_b)$, while the third order terms include $(2f_a + f_b)$, $(2f_a - f_b)$, $(f_a + 2f_b)$ and $(f_a - 2f_b)$.

The AD7934-6 is tested using the CCIF standard where two input frequencies near the top end of the input bandwidth are used. In this case, the second order terms are usually distanced in frequency from the original sine waves while the third order terms are usually at a frequency close to the input frequencies. As a result, the second and third order terms are specified separately. The calculation of the intermodulation distortion is as per the THD specification where it is the ratio of the rms sum of the individual distortion products to the rms amplitude of the sum of the fundamentals expressed in dBs.

TYPICAL PERFORMANCE CHARACTERISTICS

PERFORMANCE CURVES

Ta = 25°C, unless otherwise noted

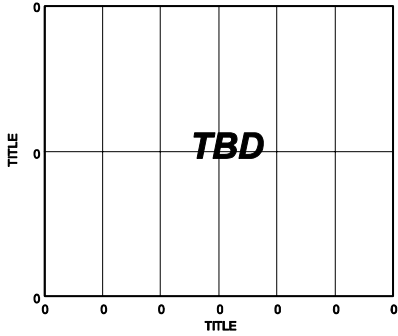


Figure 7. PSRR versus Supply ripple Frequency without supply decoupling

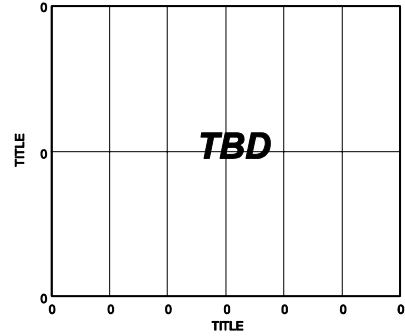


Figure 11. AD7934-6 Typical DNL @ VDD=5V

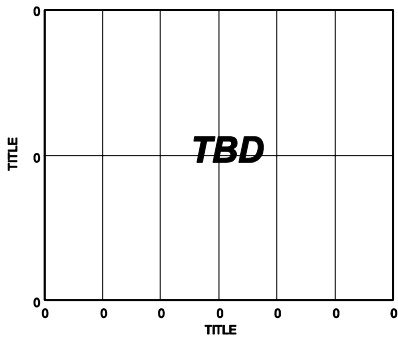


Figure 8. Channel to Channel Isolation

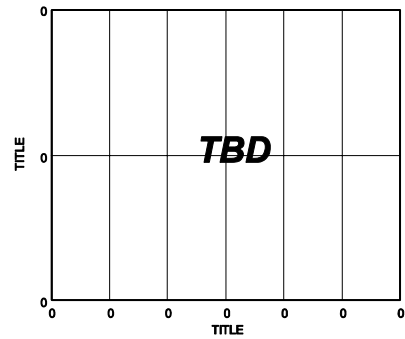


Figure 12. AD7934-6 Typical INL @ VDD=5V

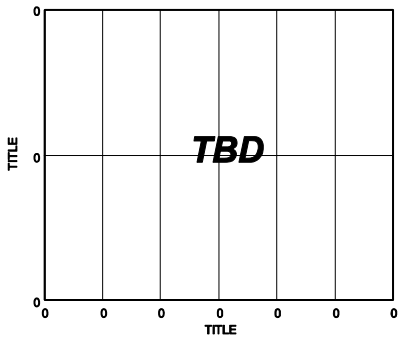


Figure 9. AD7934-6 SINAD vs Analog Input Frequency for various Supply Voltages

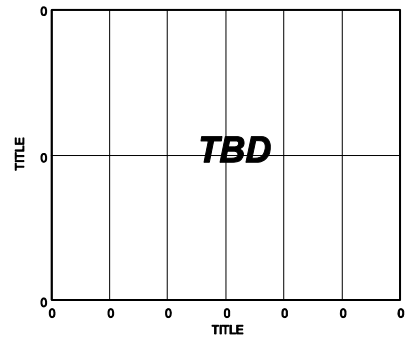


Figure 13. AD7934-6 Change in INL vs VREF for VDD=5V

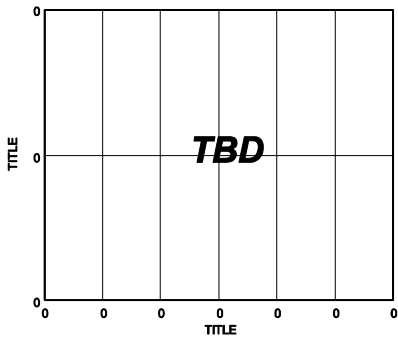


Figure 10. AD7934-6 FFT @ VDD=5V

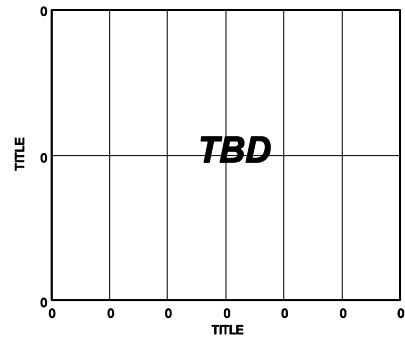


Figure 14. AD7934-6 Change in DNL vs VREF for VDD=5V

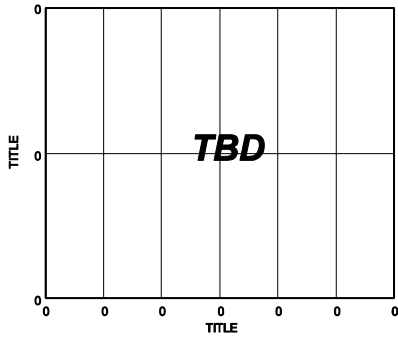


Figure 15. AD7934-6 Change in ENOB vs V_{REF} for $V_{DD}=5V$

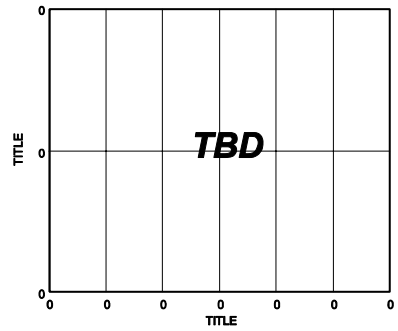


Figure 16. AD7934-6 Offset vs V_{REF}

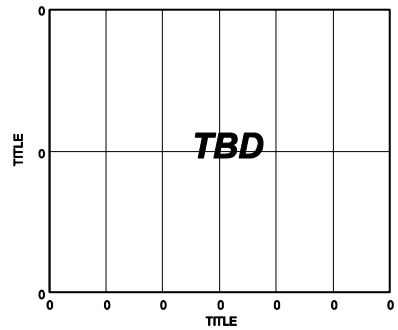


Figure 17. AD7934-6 Histogram of codes @ $V_{DD}=5V$ with the Internal Reference

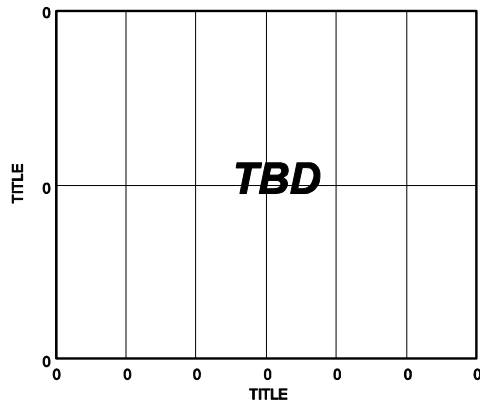


Figure 18. AD7934-6 Histogram of codes @ $V_{DD}=5V$ with an External Reference

AD7934-6

CONTROL REGISTER

The Control Register on the AD7934-6 is a 12-bit, write-only register. Data is written to this register using the $\overline{\text{CS}}$ and $\overline{\text{WR}}$ pins. The Control Register is shown below and the functions of the bits are described in Table 5. At power up, the default bit settings in the Control Register are all 0s.

MSB						LSB					
D11	D10	D9	D8	D7	D6	D5	D4	D3	D2	D1	D0
PM1	PM0	CODING	REF	ZERO	ADD1	ADD0	MODE1	MODE0	SEQ1	SEQ0	RANGE

Figure 19. Control Register Bits.

Table 5. Control Register Bit Function Description

Bit	Mnemonic	Comment
11, 10	PM1, PM0	Power Management Bits. These two bits are used to select the power mode of operation. The user can choose between either normal mode or various power down modes of operation as shown in Table 6.
9	CODING	This bit selects the output coding of the conversion result. If this bit is set to 0, the output coding will be straight (natural) binary. If this bit is set to 1, the output coding will be twos complement.
8	REF	This bit selects whether the internal or an external reference is used to perform the conversion. If this bit is logic 0, an external reference should be applied to the V_{REF} pin and if it is 1, the internal reference is selected (see the Reference Section).
7	ZERO	This bit is not used so should always be set to logic 0.
6, 5	ADD1, ADD0	These two address bits are used to either select which analog input channel is to be converted on in the next conversion if the sequencer is not being used, or to select the final channel in a consecutive sequence when the sequencer is being used as described in Table 8. The selected input channel is decoded as shown in Table 7.
4,3	MODE1, MODE0	The two Mode pins select the type of analog input on the four V_{IN} pins. The AD7934-6 can have either 4 Single Ended inputs, 2 Fully Differential inputs or 2 Pseudo Differential inputs. See Table 7.
2	SEQ1	The SEQ1 bit in the Control register is used in conjunction with the SEQ0 bit to control the sequencer function. See Table 8.
1	SEQ0	The SEQ0 bit in the Control register is used in conjunction with the SEQ1 bit to control the sequencer function. See Table 8.
0	RANGE	This bit selects the analog input range of the AD7934-6. If it is set to 0 then the analog input range will extend from 0V to V_{REF} . If it is set to 1 then the analog input range will extend from 0V to $2 \times V_{\text{REF}}$. When this range is selected, AV_{DD} must be 4.75 V to 5.25 V.

Table 6. Power Mode Selection using the Power Management Bits in the Control Register

PM1	PM0	Mode	Description
0	0	Normal Mode	When operating in Normal Mode, all circuitry is fully powered up at all times.
0	1	Auto Shutdown	When operating in Auto Shutdown mode, the AD7934-6 will enter Full Shutdown mode at the end of each conversion. In this mode, all circuitry is powered down.
1	0	Auto Standby	When the AD7934-6 enter this mode, all circuitry is partially powered down. This mode is similar to Auto Shutdown but allows the part to power up in 1 μsec .
1	1	Full Shutdown	When the AD7934-6 enters this mode, all circuitry is powered down. The information in the Control Register is retained.

Table 7. Analog Input Type Selection

Channel Address		MODE0=0, MODE1=0		MODE0=0, MODE1=1		MODE0=1, MODE1=0		MODE0=1, MODE1=1
		4 Single-Ended I/P Channels		2 Fully Differential I/P Channels		2 Pseudo Differential I/P Channels		NOT USED
ADD1	ADD0	V _{IN+}	V _{IN-}	V _{IN+}	V _{IN-}	V _{IN+}	V _{IN-}	
0	0	VIN0	AGND	VIN0	VIN1	VIN0	VIN1	
0	1	VIN1	AGND	VIN1	VIN0	VIN1	VIN0	
1	0	VIN2	AGND	VIN2	VIN3	VIN2	VIN3	
1	1	VIN3	AGND	VIN3	VIN2	VIN3	VIN2	

SEQUENCER OPERATION

The configuration of the SEQ0 and SEQ1 bits in the control register allow the user use the sequencer function. Table 8 outlines the two modes of operation of the Sequencer.

Table 8. Sequence Selection

SEQ0	SEQ1	Sequence Type
0	0	This configuration is selected when the sequence function is not used. The analog input channel selected on each individual conversion is determined by the contents of the channel address bits ADD1 and ADD0 in each prior write operation. This mode of operation reflects the normal operation of a multi-channel ADC, without the Sequencer function being used, where each write to the AD7934-6 selects the next channel for conversion.
0	1	NOT USED
1	0	NOT USED
1	1	This configuration is used in conjunction with the Channel Address bits (ADD1 and ADD0) to program continuous conversions on a consecutive sequence of channels from Channel 0 through to a selected final channel as determined by the Channel Address bits in the Control Register. When operating in Differential or Pseudo Differential mode, the ADC will not convert on inverse pairs (e.g. VIN1 and VIN0)

CIRCUIT INFORMATION

The AD7934-6 is a 4 channel, 12-bit, single supply, successive approximation Analog to Digital converter. It can be operated from either a 2.35 V to 3.6 V or a 4.75 V to 5.25 V power supply and features throughput rates up to 625kSPS.

The AD7934-6 provides the user with an on-chip track/hold, an internal accurate reference, an analog to digital converter, and a parallel interface housed in a 28-Lead TSSOP package.

The AD7934-6 has four analog input channels which can be configured to be 4 single ended inputs, 2 fully differential pairs or 2 pseudo differential pairs. There is an on-chip channel sequencer which allows the user to select a consecutive sequence of channels through which the ADC can cycle with each falling edge of $\overline{\text{CONVST}}$.

The analog input range for the AD7934-6 is 0 to V_{REF} or 0 to $2 \times V_{\text{REF}}$ depending on the status of the RANGE bit in the Control register. The output coding of the ADC can be either Binary or Two's complement, depending on the status of the CODING bit in the Control register.

The AD7934-6 provides flexible power management options to allow the user to achieve the best power performance for a given throughput rate. These options are selected by programming the power management bits, PM1 and PM0, in the Control Register.

CONVERTER OPERATION

The AD7934-6 is a successive approximation ADC based around two capacitive DACs. Figure 20 and Figure 21 show simplified schematics of the ADC in Acquisition and Conversion phase respectively. The ADC comprises of Control Logic, a SAR and two capacitive DACs. Both figures show the operation of the ADC in Differential/Pseudo Differential Mode. Single Ended mode operation is similar but $V_{\text{IN-}}$ is internally tied to AGND. In acquisition phase, SW3 is closed and SW1 and SW2 are in position A, the comparator is held in a balanced condition and the sampling capacitor arrays acquire the differential signal on the input.

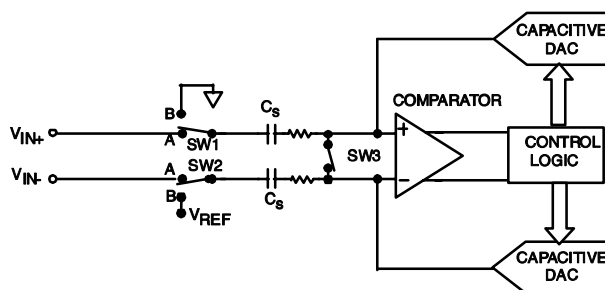


Figure 20. ADC Acquisition Phase

When the ADC starts a conversion (Figure 21), SW3 will open and SW1 and SW2 will move to position B, causing the

comparator to become unbalanced. Both inputs are disconnected once the conversion begins. The Control Logic and the charge redistribution DACs are used to add and subtract fixed amounts of charge from the sampling capacitor arrays to bring the comparator back into a balanced condition. When the comparator is rebalanced, the conversion is complete. The Control Logic generates the ADC's output code. The output impedances of the sources driving the $V_{\text{IN+}}$ and the $V_{\text{IN-}}$ pins must be matched otherwise the two inputs will have different settling times, resulting in errors.

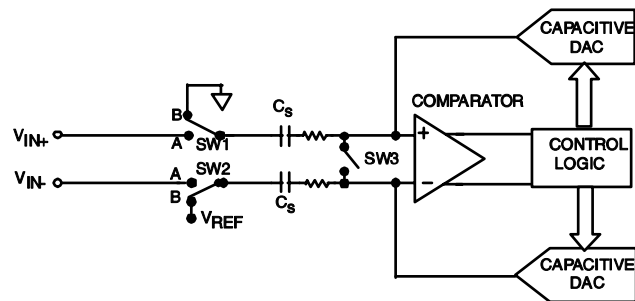


Figure 21. ADC Conversion Phase

ADC TRANSFER FUNCTION

The output coding for the AD7934-6 is either straight binary or two's complement, depending on the status of the CODING bit in the control register. The designed code transitions occur at successive LSB values (i.e. 1LSB, 2LSBs, etc.) and the LSB size is $V_{\text{REF}}/4096$. The ideal transfer characteristics of the AD7934-6 for both straight binary and two's complement output coding are shown in Figure 22 and Figure 23 respectively.

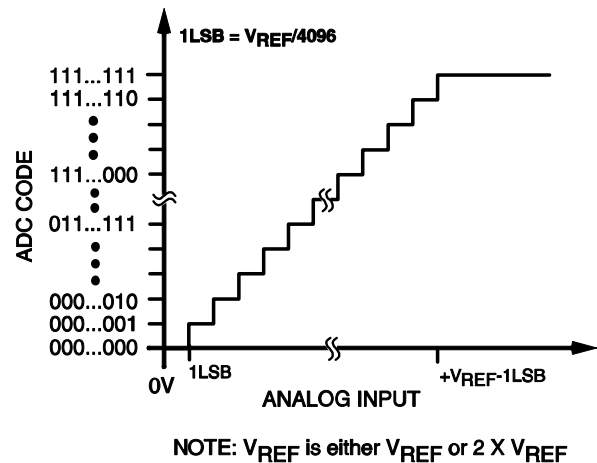


Figure 22. AD7934-6 Ideal Transfer Characteristic with Straight Binary Output Coding

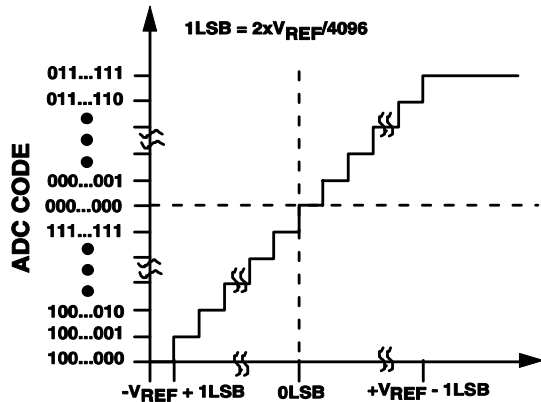


Figure 23. AD7934-6 Ideal Transfer Characteristic with Twos Complement Output Coding

TYPICAL CONNECTION DIAGRAM

Figure 24 shows a typical connection diagram for the AD7934-6. The AGND and DGND pins are connected together at the device for good noise suppression. The V_{REFIN}/V_{REFOUT} pin is decoupled to AGND with a $0.47\mu F$ capacitor to avoid noise pickup if the internal reference is used. Alternatively, V_{REFIN}/V_{REFOUT} can be connected to a external reference source and in this case the reference pin should be decoupled with a $0.1\mu F$ capacitor. In both cases the analog input range can either be $0V$ to V_{REF} (Range bit = 0) or $0V$ to $2 \times V_{REF}$ (Range bit = 1). The analog input configuration can be either 4 Single Ended inputs, 2 Differential Pairs or 2 Pseudo Differential Pairs (see Table 7). The V_{DD} pin is connected to either a 3V or 5V supply. The voltage applied to the V_{DRIVE} input controls the voltage of the digital interface and here, it is connected to the same 3V supply of the microprocessor to allow a 3V logic interface (See the digital inputs section).

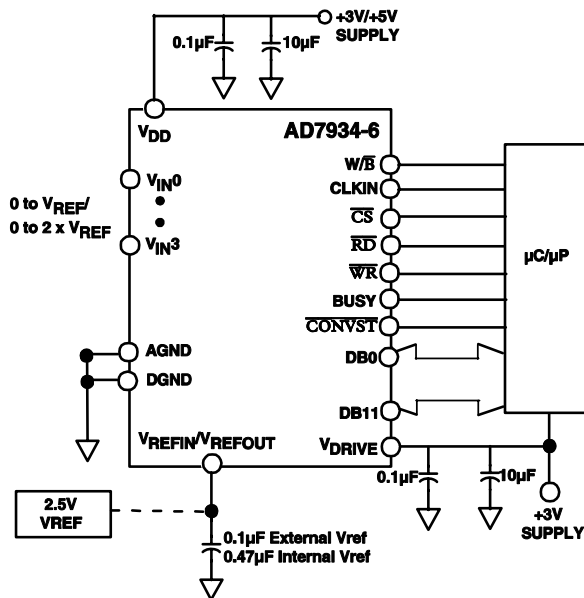


Figure 24. Typical Connection Diagram

ANALOG INPUT STRUCTURE

Figure 25 shows the equivalent circuit of the analog input structure of the AD7934-6 in Differential/Pseudo Differential Mode. In Single Ended mode, V_{IN-} is internally tied to AGND. The four diodes provide ESD protection for the analog inputs. Care must be taken to ensure that the analog input signals never exceed the supply rails by more than 300mV. This will cause these diodes to become forward biased and start conducting into the substrate. These diodes can conduct up to 10mA without causing irreversible damage to the part.

The capacitors $C1$, in Figure 25 are typically 4pF and can primarily be attributed to pin capacitance. The resistors are lumped components made up of the on-resistance of the switches. The value of these resistors is typically about 100Ω . The capacitors, $C2$, are the ADC's sampling capacitors and have a capacitance of 16pF typically.

For ac applications, removing high frequency components from the analog input signal is recommended by the use of an RC low-pass filter on the relevant analog input pins. In applications where harmonic distortion and signal to noise ratio are critical, the analog input should be driven from a low impedance source. Large source impedances will significantly affect the ac performance of the ADC. This may necessitate the use of an input buffer amplifier. The choice of the opamp will be a function of the particular application.

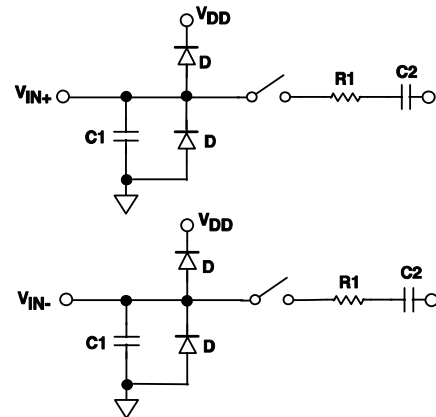


Figure 25. Equivalent Analog Input Circuit. Conversion Phase – Switches Open Track Phase – Switches Closed

When no amplifier is used to drive the analog input, the source impedance should be limited to low values. The maximum source impedance will depend on the amount of Total Harmonic Distortion (THD) that can be tolerated. The THD will increase as the source impedance increases and performance will degrade. Figure 26 shows a graph of the THD versus analog input signal frequency for different source impedances for both $V_{DD} = 5V$ and $3V$.

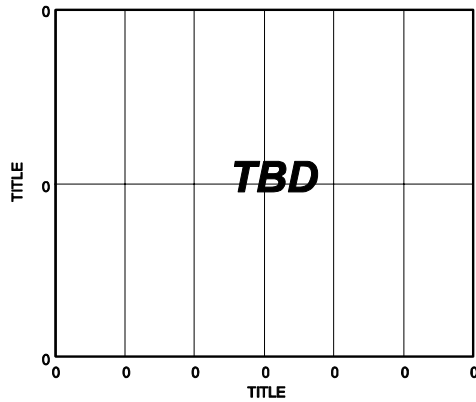


Figure 26. THD vs Analog Input Frequency for Various Source Impedances

Figure 27 shows a graph of THD versus analog input frequency for various supplies, while sampling at 625 kSPS with an SCLK of 10 MHz. In this case the source impedance is 10Ω.

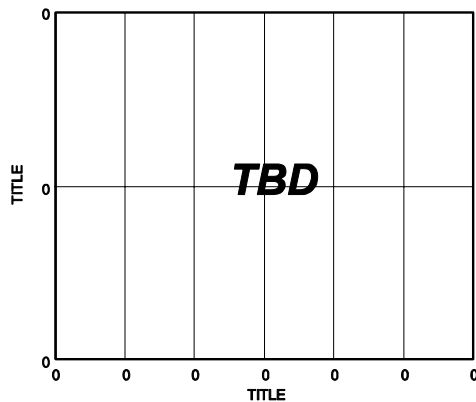


Figure 27. THD vs Analog Input Frequency for various Supply Voltages

THE ANALOG INPUTS

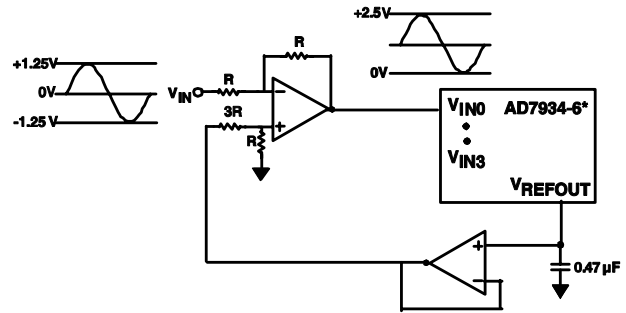
The AD7934-6 has software selectable analog input configurations. The user can choose either 4 Single Ended Inputs, 2 Fully Differential Pairs or 2 Pseudo Differential Pairs. The analog input configuration is chosen with the MODE0/MODE1 bits in the internal Control register (See Table 7).

Single Ended Mode

The AD7934-6 can have 4 single ended analog input channels by setting the MODE0 and MODE1 bits in the control register both to 0. In applications where the signal source has a high impedance, it is recommended to buffer the analog input before applying it to the ADC. The analog input range can be either 0 to V_{REF} or 0 to $2 \times V_{REF}$.

If the analog input signal to be sampled is bipolar, the internal reference of the ADC can be used to externally bias up this signal to make it of the correct format for the ADC.

Figure 28 shows a typical connection diagram when operating the ADC in single ended mode.



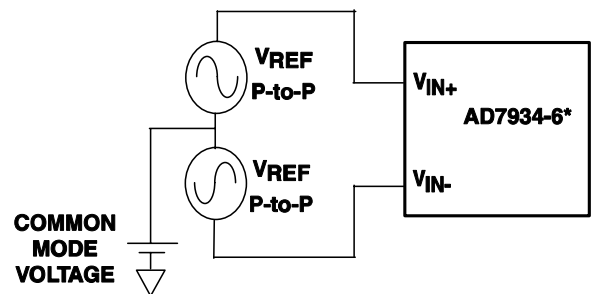
*Additional Pins Omitted for Clarity

Figure 28. Single Ended Mode Connection Diagram

Differential Mode

The AD7934-6 can have 2 Differential Analog Input Pairs by setting the MODE0 and MODE1 bits in the control register to 0 and 1 respectively.

Differential signals have some benefits over single ended signals including noise immunity based on the device's common mode rejection and improvements in distortion performance. Figure 29 defines the fully differential analog input of the AD7934-6.



*Additional Pins Omitted for Clarity

Figure 29. Differential Input Definition

The amplitude of the differential signal is the difference between the signals applied to the V_{IN+} and V_{IN-} pins in each differential pair (i.e. $V_{IN+} - V_{IN-}$). V_{IN+} and V_{IN-} should be simultaneously driven by two signals each of amplitude V_{REF} that are 180° out of phase. The amplitude of the differential signal is therefore $-V_{REF}$ to $+V_{REF}$ peak-to-peak (i.e. $2 \times V_{REF}$). This is regardless of the common mode (CM). The common mode is the average of the two signals, i.e. $(V_{IN+} + V_{IN-})/2$ and is therefore the voltage that the two inputs are centered on. This results in the span of each input being $CM \pm V_{REF}/2$. This voltage has to be set up externally and its range varies with V_{REF} . As the value of V_{REF} increases, the common mode range decreases. When driving the inputs with an amplifier, the actual common mode range will be determined by the amplifier's output voltage swing.

Figure 30 and Figure 31 show how the common mode range typically varies with V_{REF} for both a 5 V and a 3 V power supply. The common mode must be in this range to guarantee the functionality of the AD7934-6.

When a conversion takes place, the common mode is rejected resulting in a virtually noise free signal of amplitude $-V_{REF}$ to $+V_{REF}$ corresponding to the digital codes of 0 to 4096.

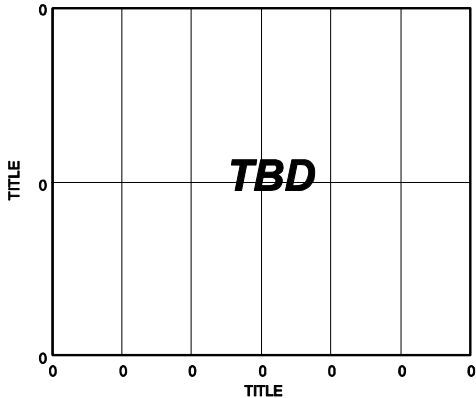


Figure 30. Input Common Mode Range versus V_{REF} ($V_{DD}=5V$ and $V_{REF}(max)=3.5V$)

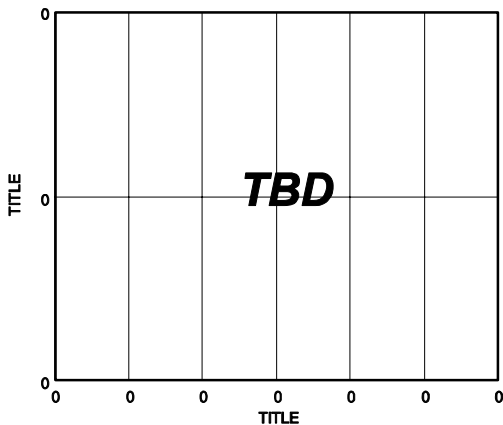


Figure 31. Input Common Mode Range versus V_{REF} ($V_{DD}=3V$ and $V_{REF}(max)=2.2V$)

Driving Differential Inputs

Differential operation requires that V_{IN+} and V_{IN-} be simultaneously driven with two equal signals that are 180° out of phase. The common mode must be set up externally and has a range which is determined by V_{REF} , the power supply and the particular amplifier used to drive the analog inputs. Differential modes of operation with either an ac or dc input, provide the best THD performance over a wide frequency range. Since not all applications have a signal preconditioned for differential operation, there is often a need to perform single ended to differential conversion.

Using an Opamp Pair

An op amp pair can be used to directly couple a differential signal to one of the analog input pairs of the AD7934-6. The circuit configurations shown in Figure 32 and Figure 33 show how a dual op amp can be used to convert a single-ended signal into a differential signal for both a bipolar and unipolar input signal, respectively.

The voltage applied to Point A sets up the common-mode voltage. In both diagrams, it is connected in some way to the reference, but any value in the common-mode range can be input here to set up the common mode. A suitable dual op amp that could be used in this configuration to provide differential drive to the AD7934-6 is the AD8022.

Take care when choosing the op amp; the selection depends on the required power supply and system performance objectives. The driver circuits in Figure 32 and Figure 33 are optimized for dc coupling applications requiring best distortion performance.

The circuit configuration shown in Figure 32 converts a unipolar, single-ended signal into a differential signal.

The circuit configuration in Figure 33 is configured to convert and level shift a single-ended, ground-referenced (bipolar) signal to a differential signal centered at the V_{REF} level of the ADC.

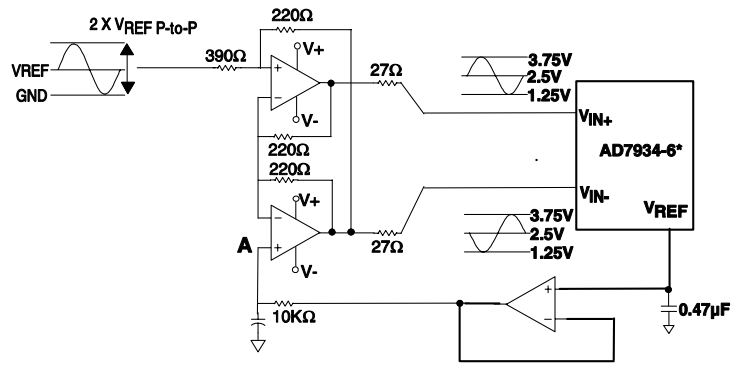


Figure 32. Dual Op Amp Circuit to Convert a Single-Ended Unipolar Signal into a Differential Signal

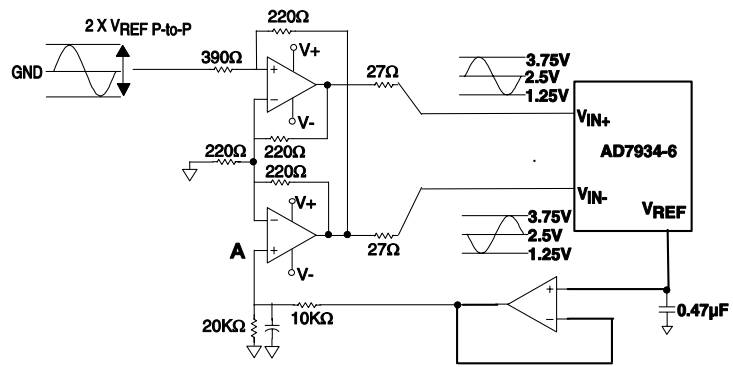


Figure 33. Dual Op Amp Circuit to Convert a Single-Ended Bipolar Signal into a Differential Signal

Pseudo Differential Mode

The AD7934-6 can have 2 Pseudo Differential pairs by setting the MODE0 and MODE1 bits in the control register to 1, 0 respectively. V_{IN+} is connected to the signal source which must have an amplitude of V_{REF} to make use of the full dynamic range of the part. A DC input is applied to the V_{IN-} pin. The voltage applied to this input provides an offset from ground or a pseudo ground for the V_{IN+} input. The benefit of pseudo differential inputs is that they separate the analog input signal ground from the ADC's ground allowing DC common mode voltages to be cancelled. Figure 34 shows a connection diagram for Pseudo Differential Mode.

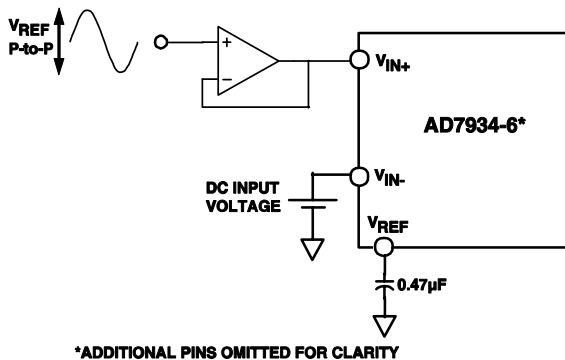


Figure 34. Pseudo Differential Mode Connection Diagram

ANALOG INPUT SELECTION

As shown in Table 7, the user can set up their analog input configuration by setting the values in the MODE0 and MODE1 bits in the Control Register. Assuming the configuration has been chosen, there are two different ways of selecting the analog input to be converted on depending on the state of the SEQ0 and SEQ1 bits in the Control register.

Normal Multichannel Operation (SEQ0=SEQ1= 0)

Any one of four analog input channels or 2 pairs of channels may be selected for conversion in any order by setting the SEQ0 & SEQ1 bits in the Control register both to 0. The channel to be converted on is selected by writing to the address bits ADD1 and ADD0 in the Control register to program the multiplexer prior to the conversion. This mode of operation is of a normal multichannel ADC where each data write selects the next channel for conversion. Figure 35 shows a flow chart of this mode of operation. The channel configurations are shown in Table 7.

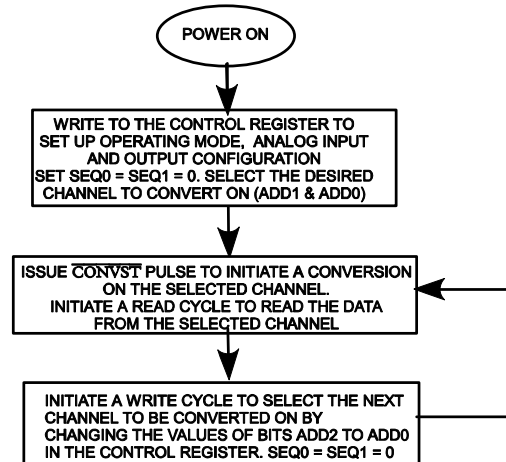


Figure 35. Normal Multichannel Operation Flow Chart

Using the Sequencer

Consecutive Sequence (SEQ0 = 1, SEQ1 = 1)

A sequence of consecutive channels can be converted on beginning with channel 0 and ending with a final channel selected by writing to the ADD1 and ADD0 bits in the Control register. This is done by setting the SEQ0 and SEQ1 bits in the control register both to 1. Once the control register has been written to to set this mode up, the next conversion will be on Channel 0, then Channel 1 and so on until the channel selected by the address bits (ADD1 and ADD0) is reached. The ADC will then return to channel 0 and start the sequence again. The \overline{WR} input must be kept high to ensure that the Control register is not accidentally overwritten and the sequence interrupted. This pattern will continue until such time as the AD7934-6 is written to. Figure 36 shows the flow chart of the Consecutive Sequence mode.

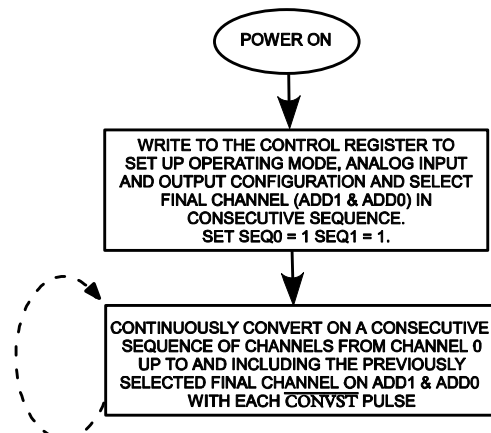


Figure 36. Consecutive Sequence Mode Flow Chart

REFERENCE SECTION

The AD7934-6 can operate with either the on chip reference or an external reference. The internal reference is selected by setting the REF bit in the internal Control register to 1. A block diagram of the internal reference circuitry is shown in Figure 37. The internal reference circuitry includes an on-chip 2.5 V band gap reference, and a reference buffer. When using the internal reference the V_{REFIN}/V_{REFOUT} pin should be decoupled to AGND with a 0.47µF capacitor. This internal reference not only provides the reference for the analog to digital conversion but can also be used externally in the system. It is recommended that the reference output is buffered using an external precision opamp before applying it anywhere in the system.

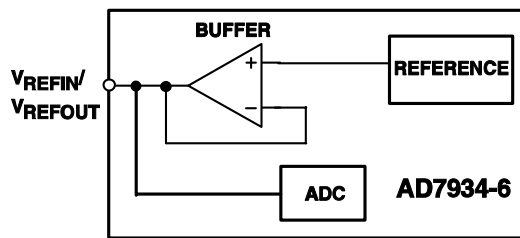


Figure 37. Internal Reference Circuit Block Diagram

Alternatively, an external reference can be applied to the V_{REFIN}/V_{REFOUT} pin of the AD7934-6. An external reference input is selected by setting the REF bit in the internal Control register to 0. When using an external reference, the V_{REFIN}/V_{REFOUT} pin should be decoupled to AGND with a 0.1µF capacitor. When operating in Differential mode, the external reference input range is 0.1 V to 3.5V and in Single ended and pseudo differential mode, the external reference input range is 0.1V to V_{DD} . The specified reference is 2.5 V for $V_{DD} = 2.7 V$ to 5.25 V and V_{DD} for $V_{DD} < 2.7 V$.

It is important to ensure that, when choosing the reference value, the maximum analog input range (V_{INmax}) is never greater than $V_{DD} + 0.3V$ to comply with the maximum ratings of the device. In Pseudo Differential Mode, the user must ensure that $V_{REFIN} - V_{IN-} \leq V_{DD}$.

The following two examples calculate the maximum V_{REF} input that can be used when operating the AD7934-6 in Differential mode with a V_{DD} of 5 V and 3 V respectively.

Example 1:

$$V_{INmax} = V_{DD} + 0.3$$

$$V_{INmax} = V_{REF} + V_{REF}/2$$

If $V_{DD} = 5 V$

then $V_{INmax} = 5.3 V$

Therefore $3xV_{REF}/2 = 5.3 V$

$$V_{REF max} = 3.5 V$$

Therefore, when operating at $V_{DD} = 5 V$, the value of V_{REF} can range from 100mV to a maximum value of 3.5V. When $V_{DD} = 4.75 V$, $V_{REF max} = 3.17 V$.

Example 2:

$$V_{INmax} = V_{DD} + 0.3$$

$$V_{INmax} = V_{REF} + V_{REF}/2$$

If $V_{DD} = 3.6V$

then $V_{INmax} = 3.9 V$

Therefore $3xV_{REF}/2 = 3.6 V$

$$V_{REF max} = 2.6 V$$

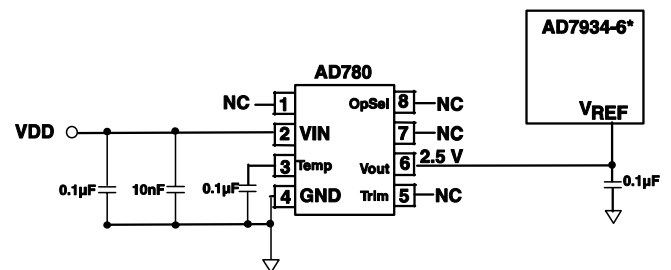
Therefore, when operating with at $V_{DD} = 3 V$, the value of V_{REF} can range from 100mV to a maximum value of 2.4V. When $V_{DD} = 2.35 V$, $V_{REF max} = 1.76 V$. The above calculations assume that $V_{CM} = V_{REF}$. For lower common mode voltages, higher references may be applied. The user must just ensure that the maximum input signal is not greater than $V_{DD} + 0.3 V$ or less than $0 V - 0.3 V$.

These examples show that the maximum reference applied to the AD7934-6 is directly dependant on the value applied to V_{DD} .

The performance of the part at different reference values is shown in Figures TBD to TBD. The value of the reference sets the analog input span and the common mode voltage range. Errors in the reference source will result in gain errors in the AD7934-6 transfer function and will add to specified full scale errors on the part. Table 9 lists examples of suitable voltage references that could be used that are available from Analog Devices and Figure 38 shows a typical connection diagram for an external reference.

Table 9. Examples of Suitable Voltage References

Reference	Output Voltage	Initial Accuracy (% max)	Operating Current (µA)
AD780	2.5/3	0.04	1000
ADR421	2.5	0.04	500
ADR420	2.048	0.05	500



*ADDITIONAL PINS OMITTED FOR CLARITY

Figure 38. Typical V_{REF} Connection Program

Digital Inputs

The digital inputs applied to the AD7934-6 are not limited by the maximum ratings which limit the analog inputs. Instead, the digital inputs applied can go to 7V and are not restricted by the $AV_{DD} + 0.3V$ limit as on the analog inputs.

Another advantage of the digital inputs not being restricted by the $AV_{DD} + 0.3V$ limit is the fact that power supply sequencing issues are avoided. If any of these inputs are applied before AV_{DD} then there is no risk of latch-up as there would be on the analog inputs if a signal greater than 0.3 V was applied prior to AV_{DD} .

V_{DRIVE} Input

The AD7934-6 has a V_{DRIVE} feature. V_{DRIVE} controls the voltage at which the Parallel Interface operates. V_{DRIVE} allows the ADC to easily interface to 1.8V, 3 V and 5 V processors. V_{DRIVE} of 1.8 V can only be used if $V_{DD} = 2.35 V$ to 3.6 V.

An example is, if the AD7934-6 was operated with an AV_{DD} of 5V, and the V_{DRIVE} pin could be powered from a 3V supply, the AD7934-6 has better dynamic performance with an AV_{DD} of 5V while still being able to interface to 3V processors. Care should be taken to ensure V_{DRIVE} does not exceed AV_{DD} by more than 0.3 V. (See Absolute Maximum Ratings Section).

PARALLEL INTERFACE

The AD7934-6 has a flexible, parallel interface. This interface is 12-bits wide and is capable of operating in either Word (W/\overline{B} tied high) or Byte (W/\overline{B} tied low) mode. The \overline{CONVST} signal is used to initiate conversions and when operating in Auto Shutdown or Auto Standby mode, it is used to power up the ADC.

A falling edge on the \overline{CONVST} signal is used to initiate conversions and it also puts the ADC track and hold into track. Once the \overline{CONVST} signal goes low, the BUSY signal goes high for the duration of the Conversion. In between conversions, \overline{CONVST} must be brought high for a minimum time of t_1 . This must happen after the 14th rising edge of CLKIN otherwise the conversion will be aborted and the track and hold will go back into track. At the end of the Conversion, BUSY goes low and can be used to activate an Interrupt Service Routine. The \overline{CS} and \overline{RD} lines are then activated in parallel to read the 12-bits of conversion data. When power supplies are first applied to the device, a rising edge on \overline{CONVST} puts the track and hold into track. The acquisition time must be allowed before \overline{CONVST} is brought low to initiate a conversion. The ADC will then go into hold on the falling edge of \overline{CONVST} and back into track on the 13th rising edge of CLKIN after this. See Figure 4. When operating the device in Auto Shutdown or Auto Standby mode, where the ADC powers down at the end of each conversion, a rising edge on the \overline{CONVST} signal is used to power up the device.

Reading Data from the AD7934-6

With the W/\overline{B} pin tied logic high, the AD7934-6 interface operates in Word mode. In this case, a single read operation from the device accesses the Conversion data word on pins DB0 to DB11. The DB8/HBEN pin assumes its DB8 function. With the W/\overline{B} pin tied to logic low, the AD7934-6 interface operates in Byte mode. In this case, the DB8/HBEN pin assumes its HBEN function. Conversion data from the AD7934-6 must be accessed in two read operations with 8 bits of data provided on DB0 to DB7 for each of the read operations. The HBEN pin determines whether the read operation accesses the high byte or the low byte of the 12-bit word. For a low byte read, DB0 to DB7 provide the 8 LSBs of the 12-bit word. For a high byte read, DB0 to DB3 provide the 4MSBs of the 12-bit word. DB4 of the high byte is always zero and DB5 and DB6 of the high byte provide the Channel ID. Figure 4 shows the read cycle timing diagram for a 12-bit transfer. When operated in Word mode, the HBEN input does not exist and only the first read operation is required to access data from the device. When operated in Byte mode, the two read cycles shown in Figure 5 are required to access the full data word from the device.

The \overline{CS} and \overline{RD} signals are gated internally and level triggered active low. In either Word mode or Byte mode, \overline{CS} and \overline{RD} may be tied together as the timing specification t_{10} and t_{11} is 0ns min. The data is placed onto the data bus a time t_{13} after both \overline{CS} and \overline{RD} go low. The \overline{RD} rising edge can be used to latch data out of the device. After a time, t_{14} , the data lines will become three-stated.

Alternatively, \overline{CS} and \overline{RD} can be tied permanently low and the conversion data will be valid and placed onto the data bus a time t_9 before the falling edge of BUSY.

Writing Data to the AD7934-6

With W/\overline{B} tied logic high, a single Write operation transfers the full data word on DB0 to DB11 to the Control Register on the AD7934-6. The DB8/HBEN pin assumes its DB8 function. Data to be written to the AD7934-6 should be provided on the DB0 to DB11 inputs with DB0 being the LSB of the data word. With W/\overline{B} tied logic low, the AD7934-6 requires two write operations to transfer a full 12-Bit word. DB8/HBEN assumes its HBEN function. Data to be written to the AD7934-6 should be provided on the DB0 to DB7 inputs. HBEN determines whether the byte which is to be written is high byte or low byte data. The low byte of the data word has DB0 being the LSB of the full data word. For the high byte write, HBEN should be high and the data on the DB0 input should be data bit 8 of the 12-bit word.

Figure 2 shows the write cycle timing diagram of the AD7934-6. When operated in Word mode, the HBEN input does not exist and only the one write operation is required to write the word of data to the device. Data should be provided on DB0 to DB11. When operated in Byte mode, the two write cycles shown in

Figure 3 are required to write the full data word to the AD7934-6. In Figure 3 the first write transfers the lower 8 bits of the data word from DB0 to DB7 and the second write transfers the upper 4 bits of the data word.

When writing to the AD7934-6, the top 4 bits in the high byte must be 0s.

The \overline{CS} and \overline{WR} signals are gated internally. \overline{CS} and \overline{WR} may be tied together as the timing specification for t_4 and t_5 is 0ns min. The data is latched into the device on the rising edge of \overline{WR} . The data needs to be setup a time t_7 before the \overline{WR} rising edge and held for a time t_8 after the \overline{WR} rising edge.

POWER MODES OF OPERATION

The AD7934-6 has four different power modes of operation. These modes are designed to provide flexible power management options. Different options can be chosen to optimize the power dissipation/throughput rate ratio for differing applications. The mode of operation is selected by the power management bits, PM1 and PM0, in the Control register, as detailed in Table 6. At power on reset, the default power up condition is Normal Mode.

Normal Mode (PM1 = PM0 = 0)

This mode is intended for the fastest throughput rate performance as the user does not have to worry about any power up times as the AD7934-6 remains fully powered up at all times. At power on reset, this mode is the default setting in the control register.

AutoShutdown (PM1 = 0; PM0 = 1)

In this mode of operation, the AD7934-6 automatically enters full shutdown at the end of each conversion which is shown at point A in Figure 4. In shutdown mode, all internal circuitry on the device is powered down. The part retains information in the Control register during shutdown. It remains in shutdown mode until the next rising edge of \overline{CONVST} (see point B in Figure 4). On this rising edge, the part will begin to power up and the power up time will depend on whether the user is operating with the internal or external reference. With the internal reference, the power up time is typically TBD and with an external reference, the power up time is typically TBD. The user should ensure that the power up time has elapsed before initiating a conversion.

Auto Standby (PM1 = 1; PM0 = 0)

In this mode of operation, the AD7934-6 automatically enters Standby mode at the end of each conversion. When this mode is entered, all circuitry on the AD7934-6 is partially powered down. A rising edge on \overline{CONVST} will power up the device which will take at least TBD.

Full Shutdown Mode (PM1 = 1; PM0 = 1)

When this mode is entered, all circuitry on the AD7934-6 is

powered down. The part retains the information in the Control Register during the Full Shutdown. The AD7934-6 remains in Full Shutdown mode until the power management bits (PM1 and PM0) in the Control Register are changed. If a write to the Control register occurs while the part is in Full Shutdown mode, and the Power Management bits are changed to PM0 = PM1 = 0, i.e. Normal Mode, the part will begin to power up on the \overline{CONVST} rising edge. To ensure the part is fully powered up before a conversion is initiated, the power up time, TBD, should be allowed before the \overline{CONVST} falling edge, otherwise, invalid data will be read.

POWER VS. THROUGHPUT RATE

A big advantage of powering the ADC down after a conversion is that the power consumption of the part is significantly reduced at lower throughput rates. When using the different power modes, the AD7934-6 is only powered up for the duration of the conversion. Therefore, the average power consumption per cycle is significantly reduced. Figure 39 and Figure 40 show plots of power vs. throughput when operating in Auto shutdown and Auto Standby modes.

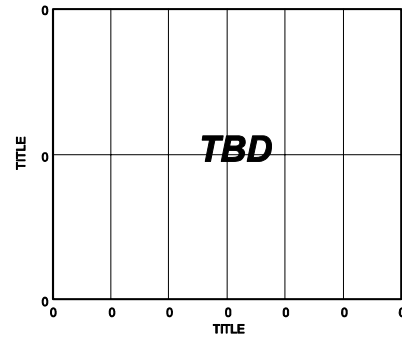


Figure 39. Power vs. Throughput in Auto Shutdown Mode

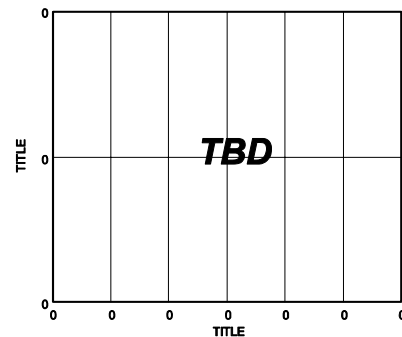


Figure 40. Power vs. Throughput in Auto Standby Mode.

MICROPROCESSOR INTERFACING

AD7934-6 To ADSP-21xx Interface

Figure 41 shows the AD7934-6 interfaced to the ADSP-21xx series of DSPs as a memory mapped device. A single wait state may be necessary to interface the AD7934-6 to the ADSP-21xx depending on the clock speed of the DSP. The wait state can be programmed via the Data Memory Wait state Control Register of the ADSP-21xx (please see the ADSP-21xx family Users

Manual for details). The following instruction reads from the AD7934-6:

$$MR = DM(ADC)$$

Where ADC is the address of the AD7934-6.

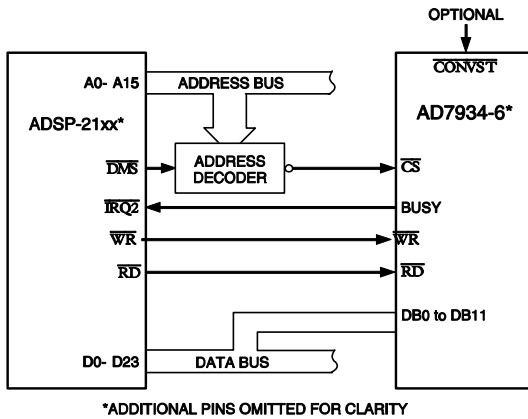


Figure 41. Interfacing to the ADSP-21xx

AD7934-6 To ADSP-21065 Interface

Figure 42 shows a typical interface between the AD7934-6 and the ADSP-21065L SHARC processor. This interface is an example of one of three DMA handshake modes. The \overline{MS}_x control line is actually three memory select lines. Internal ADDR₂₅₋₂₄ are decoded into \overline{MS}_{3-0} ; these lines are then asserted as chip selects. The \overline{DMAR}_1 (DMA request 1) is used in this setup as the interrupt to signal end of conversion. The rest of the interface is standard handshaking operation.

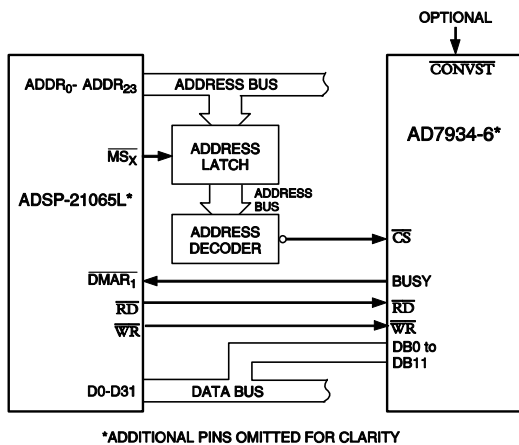


Figure 42. Interfacing to the ADSP-21065L

AD7934-6 To TMS32020, TMS320C25 and TMS320C5x Interface

The parallel interface between the AD7934-6 and the TMS32020, TMS320C25 and TMS320C5x family of DSPs are shown in Figure 43. The memory mapped address chosen for the AD7934-6 should be chosen to fall in the I/O memory space of the DSPs. The parallel interface on the AD7934-6 is fast enough to interface to the TMS32020 with no extra wait states.

If high speed glue logic such as 74AS devices are used to drive the \overline{RD} and the \overline{WR} lines when interfacing to the TMS320C25, then again, no wait states are necessary. However, if slower logic is used, data accesses may be slowed sufficiently when reading from and writing to the part to require the insertion of one wait state. Extra wait states will be necessary when using the TMS320C5x at their fastest clock speeds. (please see the TMS320C5x User Guide for details).

Data is read from the ADC using the following instruction:

IN D, ADC

Where D is Data Memory address and the ADC is the AD7934-6 address.

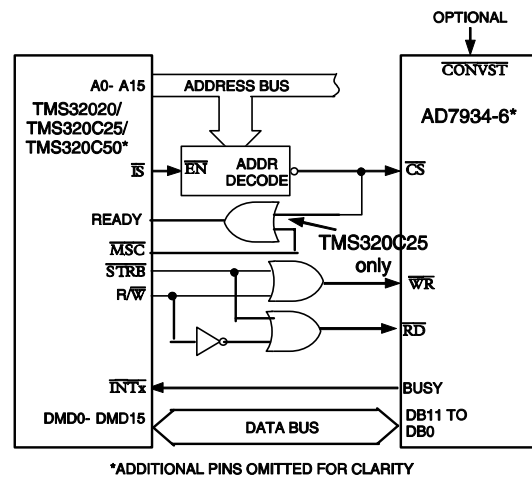


Figure 43. Interfacing to the TMS32020/C25/C5x

AD7934-6 to 80C186 Interface

Figure 44 shows the AD7934-6 interfaced to the 80C186 microprocessor. The 80C186 DMA controller provides two independent high speed DMA channels where data transfer can occur between memory and I/O spaces. Each data transfer consumes two bus cycles, one cycle to fetch data and the other to store data. After the AD7934-6 has finished a conversion, the BUSY line generates a DMA request to Channel 1 (DRQ1). As a result of the interrupt, the processor performs a DMA READ operation which also resets the interrupt latch. Sufficient priority must be assigned to the DMA channel to ensure that the DMA request will be serviced before the completion of the next conversion.

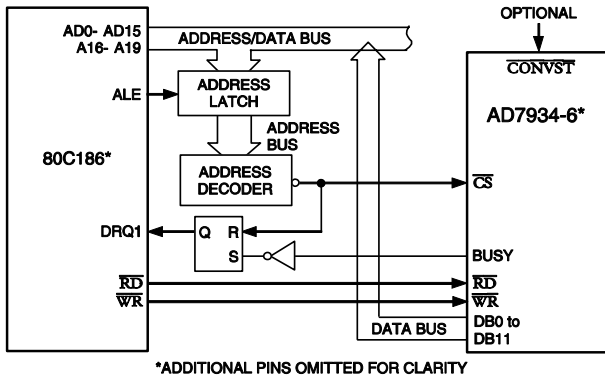


Figure 44. Interfacing to the 80C186

AD7934-6

APPLICATION HINTS

GROUNDING AND LAYOUT

The printed circuit board that houses the AD7934-6 should be designed so that the analog and digital sections are separated and confined to certain areas of the board. This facilitates the use of ground planes that can be easily separated. A minimum etch technique is generally best for ground planes as it gives the best shielding. Digital and analog ground planes should be joined in only one place and the connection should be a star ground point established as close to the Ground pins on the AD7934-6 as possible. Avoid running digital lines under the device as this will couple noise onto the die. The analog ground plane should be allowed to run under the AD7934-6 to avoid noise coupling. The power supply lines to the AD7934-6 should use as large a trace as possible to provide low impedance paths and reduce the effects of glitches on the power supply line.

Fast switching signals like clocks should be shielded with digital

ground to avoid radiating noise to other sections of the board, and clock signals should never run near the analog inputs. Avoid crossover of digital and analog signals. Traces on opposite sides of the board should run at right angles to each other. This will reduce the effects of feedthrough through the board. A microstrip technique is by far the best but is not always possible with a doublesided board.

In this technique the component side of the board is dedicated to ground planes while signals are placed on the solder side.

Good decoupling is also important. All analog supplies should be decoupled with 10 μ F tantalum capacitors in parallel with 0.1 μ F capacitors to GND. To achieve the best from these decoupling components, they must be placed as close as possible to the device.

OUTLINE DIMENSIONS

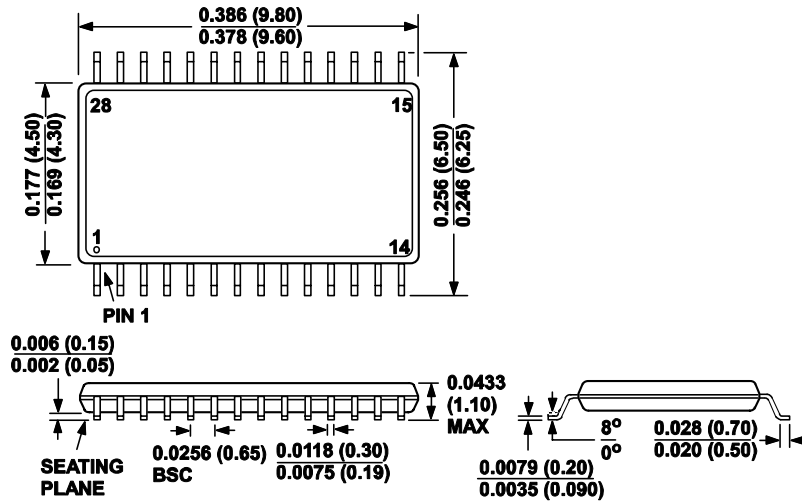


Figure 45. 28 Lead TSSOP Package Dimensions

Dimensions shown in inches and mm

ORDERING GUIDE

Model	Range	Linearity Error (LSB) ¹	Package Option	Package Descriptions
AD7934-6BRU	-40°C to +85°C	±1	RU-32	TSSOP
EVAL-ADxxxxCB ²	Evaluation Board			
EVAL-CONTROL BRD2 ³	Controller Board			

¹ Linearity error here refers to integral linearity error.

² This can be used as a stand-alone evaluation board or in conjunction with the Evaluation Board Controller for evaluation/demonstration purposes.

³ Evaluation Board Controller. This board is a complete unit allowing a PC to control and communicate with all Analog Devices evaluation boards ending in the CB designators. The following needs to be ordered to obtain a complete evaluation kit: the ADC Evaluation Board (EVALADxxxxCB), the EVAL-CONTROL BRD2 and a 12 V ac transformer. See the ADxxxx evaluation board technical note for more details.

This datasheet has been download from:

www.datasheetcatalog.com

Datasheets for electronics components.