

## Filtered Video Buffers for STB and DVD Devices

TARGET SPECIFICATION

### FEATURES

- Y, C, CVBS Inputs with 7 MHz Filters
- Y, Pr, Pb Inputs with 14 MHz Filters
- 6 dB Gains
- Capabilities of Integrated Output Buffers:
  - Single Load ( $150\Omega$ ) for Y/Pr/Pb signals
  - Double Load ( $75\Omega$ ) for Y, C and CVBS signals
- DC Coupled Outputs for CVBS and YPrPb signals, DC or AC coupled output for Chroma signal
- Bottom Clamp on Y and CVBS, Bias Clamp on C, Sync Clamps on Pr and Pb
- Crosstalk: 55 dB (typ.)
- Separate Stand-by Modes on Y/C/CVBS and on Y/Pr/Pb signals
- Switchable Y+C Adder for Decoders without CVBS Outputs

### DESCRIPTION

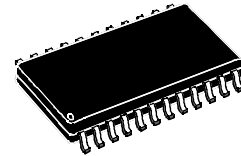
The STV6434 is a filtered video output interface for STB and DVD applications.

After removing D/A conversion noises using integrated low pass filters, the STV6434 adapts in amplitude and impedance the video signals coming from the digital decoder for transmission, via  $75\Omega$  adapted cables, to the TV set, VCR and auxiliary devices.

The STV6434 is powered by a 5V supply.

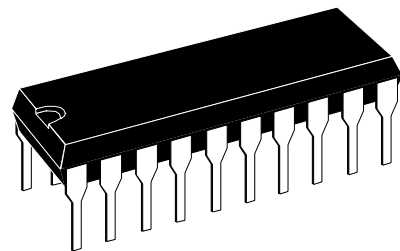
The STV6434 is fully compatible with STi55xx Digital Decoders.

The STV6434 is mounted in a SO24 package (STV6434S) or in a DIP package (STV6434D).



SO24

Order Code: STV6434S



PDIP20

Order Code: STV6434D

---

# TABLE OF CONTENTS

<b>Chapter 1</b>	<b>General Information</b> .....	<b>3</b>
1.1	I/O Pin Description .....	4
<b>Chapter 2</b>	<b>Electrical Characteristics</b> .....	<b>6</b>
2.1	Absolute Maximum Ratings .....	6
2.2	Thermal Data .....	6
2.3	Electrical Characteristics .....	6
<b>Chapter 3</b>	<b>Input/Output Groups</b> .....	<b>10</b>
<b>Chapter 4</b>	<b>Application Diagram</b> .....	<b>14</b>
<b>Chapter 5</b>	<b>Package Mechanical Data</b> .....	<b>15</b>
<b>Chapter 6</b>	<b>Revision History</b> .....	<b>17</b>

# 1 General Information

Figure 1: STV6434S Pinout

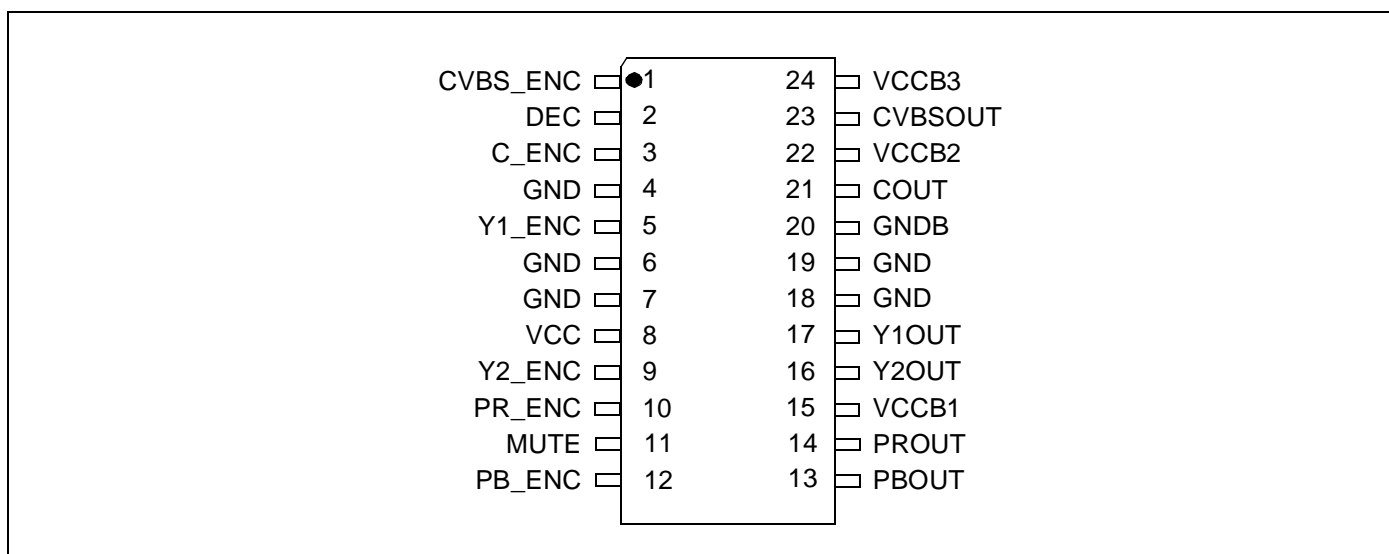
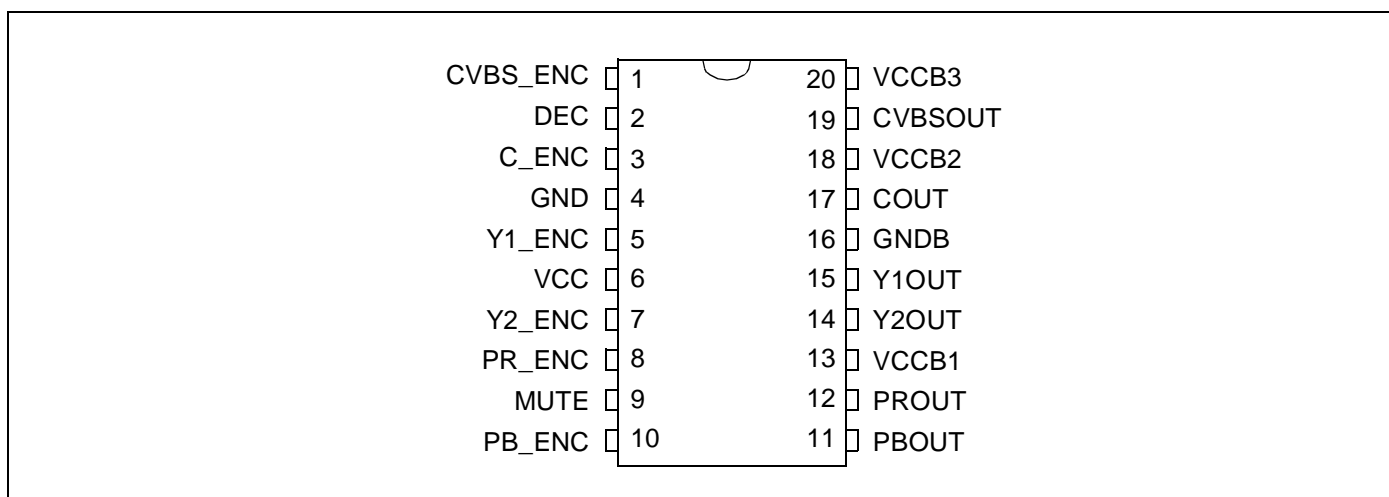


Figure 2: STV6434D Pinout

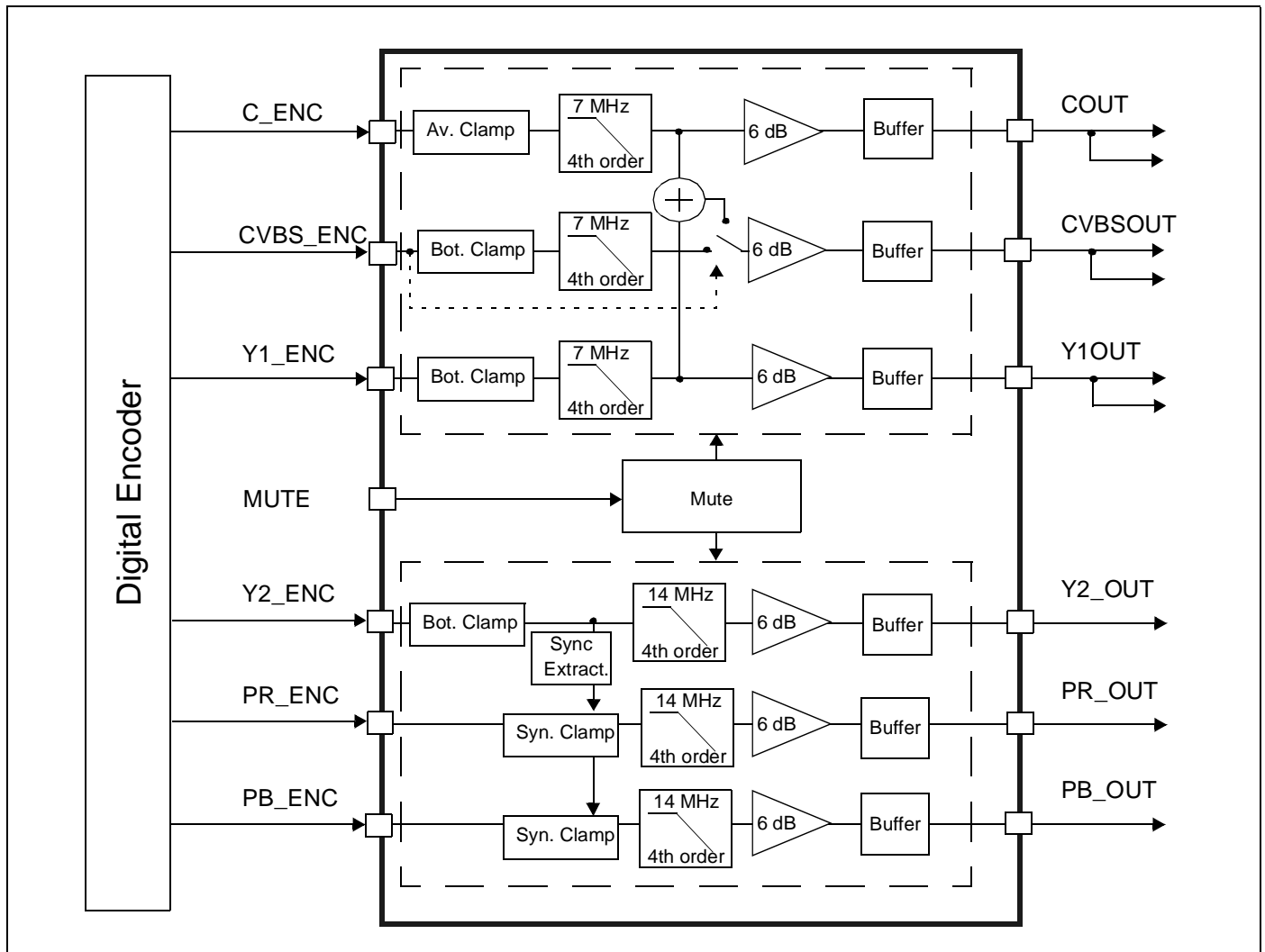


## 1.1 I/O Pin Description

Table 1: Pin Description

STV6434S	STV6434D	Name	Function
1	1	CVBS_ENC	CVBS Input from Encoder command internal CVBS switch
2	2	DEC	Decoupling Capacitor
3	3	C_ENC	Chroma Input from Encoder
4	4	GND	Ground
5	5	Y1_ENC	Y Input from Encoder
6		GND	Ground
7		GND	Ground
8	6	VCC	+5 V Supply
9	7	Y2_ENC	Large-band Y Input from Encoder
10	8	PR_ENC	Large-band Pr Input from Encoder
11	9	MUTE	4-State command for Mute
12	10	PB_ENC	Large-band Pb Input from Encoder
13	11	PBOUT	Pb Output
14	12	PROUT	Pr Output
15	13	VCCB1	+5 V Supply for Output Buffers
16	14	Y2OUT	Y2 Output
17	15	Y1OUT	Y1 Output
18		GND	Ground
19		GND	Ground
20	16	GNDB	Ground for Buffers
21	17	COUT	Chroma Output
22	18	VCCB2	+5 V Supply for Output Buffers
23	19	CVBSOUT	CVBS Output
24	20	VCCB3	+5 V Supply for Output Buffers

Figure 3: STV6434 Block Diagram



## 2 Electrical Characteristics

### 2.1 Absolute Maximum Ratings

Symbol	Parameter		Value	Unit
$V_{CC}, V_{CCB}$	Supply Voltage		6	V
V	Voltage at all pins to Ground		-0.6 to $V_{CC}$	V
$V_{ESD}$	ESD Susceptibility	Human Body Model: 100 pF discharged through 1.5 k $\Omega$ serial resistor	$\pm 4$	kV

### 2.2 Thermal Data

Symbol	Parameter		Value	Unit
$R_{thJA}$	Junction-to-Ambient Thermal Resistance	STV6434S STV6434D	70 65	$^{\circ}\text{C}/\text{W}$
$T_J$	Maximum Recommended Junction Temperature	STV6434S STV6434D	130	$^{\circ}\text{C}$
$T_{OPER}$	Operating Ambient Temperature		0 to +70	$^{\circ}\text{C}$
$T_{STG}$	Storage Temperature		-55 to +150	$^{\circ}\text{C}$

### 2.3 Electrical Characteristics

Test conditions:  $T_{AMB} = 25^{\circ}\text{C}$ ,  $V_{CC} = 5\text{ V}$ ;  $V_{CCB} = 5\text{ V}$ ;  $R_{GENERATOR} = 75\ \Omega$ ,  $R_{LOUT} = 75\ \Omega$  for Y1OUT, CVBSOUT and COUT  $R_{LOUT} = 150\ \Omega$  for Y2OUT, PBOUT and PROUT, unless otherwise specified.

Symbol	Parameter	Test Conditions	Min.	Typ.	Max.	Unit
$V_{CC}$	Operating Supply Voltage		4.75	5.00	5.25	V
$V_{CCB}$	Buffer Supply Voltage		4.75	5.00	5.25	V
<b>Active (Channels ON)</b>						
$I_{CC1}$	Supply Current ( $V_{CC} + V_{CCB}$ )	No Load, MUTE pin to VCC pin (5 V) All channels active		50	65	mA
$I_{CC2}$	Supply Current ( $V_{CC} + V_{CCB}$ )	No Load, MUTE pin = 1.5 V (not connected) Y1/C/CVBS active		30		mA
$I_{CC3}$	Supply Current ( $V_{CC} + V_{CCB}$ )	No Load, MUTE pin = 3 V Y2/Pr/Pb active		30		mA
<b>Standby (All Channels OFF)</b>						
$I_{CCSTB}$	Total Supply Current	No Load, MUTE pin to 0 V		4		mA

### 2.3.1 Video Section (Y1, Y2 and CVBS Signals)

Test conditions:  $T_{AMB} = 25^{\circ}\text{C}$ ,  $V_{CC} = 5\text{ V}$ ;  $V_{CCB} = 5\text{ V}$ ;  $R_{GENERATOR} = 75\ \Omega$ ,  $R_{LOUT} = 75\ \Omega$  for Y1 and CVBS outputs and  $R_{LOUT} = 150\ \Omega$  for Y2 output, unless otherwise specified.

Symbol	Parameter	Test Conditions	Min.	Typ.	Max.	Unit
$V_{DCIN}$	DC Input Level, Bottom Clamp input	Bottom level, Y1 and CVBS inputs		2		V
$I_{CLAMP}$	Clamping Current, Bottom Clamp input	at $V_{DCIN} - 400\text{ mV}$	1	2		mA
$I_{LEAK}$	Input Leakage Current, Bottom Clamp input	$V_{IN} = V_{DCIN} + 1\text{ V}$		1	10	$\mu\text{A}$
$V_{DCIN\_YSYNC}$	DC Input Level	Y2 input, YPrPb mode, black level		2.3		V
$C_{IN}$	Input Capacitance			2		pF
$V_{IN}$	Maximum Input Signal	$V_{CCV} = 5\text{ V}$		1.4		$V_{PP}$
DYN	Dynamic Output Signal	$V_{CCV} = 5\text{ V}$		2.8		$V_{PP}$
Y1F1	-1 dB Bandwidth (Flatness) of Y1 and CVBS	1H signal	4.0	4.5		MHz
Y2F1	-1 dB Bandwidth (Flatness) of Y2	2H signal	8	9		MHz
Y1F3	-3 dB Bandwidth of Y1 and CVBS	1H signal		7		MHz
Y2F3	-3 dB Bandwidth of Y2	2H signal		14		MHz
Y1SBR	Stopband Rejection	27 MHz versus 100 kHz		- 40		dB
Y2SBR	Stopband Rejection	54 MHz versus 100 kHz		- 40		dB
Flatness	Spread of Gain in Video Bands	$V_{IN} = 1\ V_{PP}$ Band = 15 kHz to 5 MHz for Y1 and CVBS Band = 15 kHz to 10 MHz for Y2			$\pm 0.5$	dB
$V_{CTO}$	Crosstalk Isolation of Y1 (or Y2 or CVBS) from C and Pr Pb channels	$V_{IN} = 0.5\ V_{PP}$ at $f = 3.58\text{ MHz}$ , on either $CIN\_ENC$ or $PRIN\_ENC$ or $PBIN\_ENC$ input, $R_{LOAD} = 150\ \Omega$		55		dB
$R_{OUT}$	Output Resistance			5	10	$\Omega$
GY	Gain on Y1, Y2 and CVBS channels	$V_{IN} = 1\ V_{PP}$ at $f = 1\text{ MHz}$	5.5	6	6.5	dB
$DC_{YOUT}$	DC Output Voltage (Y1 and Y2)	Video signal bottom sync pulse at IC output pins		0.5		V
$DC_{CVBSOUT}$	DC Output Voltage (CVBS)	Video signal bottom sync pulse at IC output pin		1.0		V
DPHI	Differential Phase	$V_{IN} = 1\ V_{PP}$ at $f = 3.58\text{ MHz}$		0.2	3	deg.
DG	Differential Gain	$V_{IN} = 1\ V_{PP}$ at $f = 3.58\text{ MHz}$		0.3	3	%
LNL	Luminance non-linearity			0.5	3	%
VSN7	Video S/N Ratio: Y1, C and CVBS channels (7 MHz filter)	NTC-7 weighting 4.2 MHz Lowpass		70		dB
VSN14	Video S/N Ratio: Y2, Pr and Pb channels (14 MHz filter)	NTC-7 weighting 4.2 MHz Lowpass		67		dB

Symbol	Parameter	Test Conditions	Min.	Typ.	Max.	Unit
Dtpd7	Group delay variation from flatness	7 MHz filter		20		nS
Dtpd14	Group delay variation from flatness	14 MHz filter		10		nS

### 2.3.2 Chroma Section

Test conditions:  $T_{AMB} = 25^{\circ}\text{C}$ ,  $V_{CC} = 5\text{ V}$ ;  $V_{CCB} = 5\text{ V}$ ;  $R_{GENERATOR} = 75\ \Omega$  and  $R_{LOUT} = 75\ \Omega$  unless otherwise specified.

Symbol	Parameter	Test Conditions	Min.	Typ.	Max.	Unit
$V_{DCIN}$	DC Input Level			3		V
$R_{IN}$	Input Resistance		30	50		$k\Omega$
$C_{IN}$	Input Capacitance			2		pF
$V_{IN}$	Max Input Signal				1	$V_{PP}$
DYN	Dynamic Output Signal				2	$V_{PP}$
$DC_{COUT}$	DC Output Voltage (COUT)	Without signal		1.5		V
CF1	-1 dB Bandwidth (Flatness)		4	4.5		MHz
CF3	-3 dB Bandwidth			7		MHz
CSBR	Stopband Rejection	27 MHz versus 100 kHz		- 40		dB
Flatness	Spread of Gain in Video Bands	$V_{IN} = 1\ V_{PP}$ Band = 15 kHz to 5 MHz for Y1 and CVBS			$\pm 0.5$	dB
CCTo	Crosstalk Isolation of C from Y1, Y2 and CVBS Channels	$V_{IN} = 1\ V_{PP}$ at $f = 3.58\text{ MHz}$ , on Y1 or Y2 or CVBS inputs, $R_{LOAD} = 150\Omega$		55		dB
$R_{OUT}$	Output Resistance			5	10	$\Omega$
GC	Gain on C channel	$V_{IN} = 1\ V_{PP}$ at $f = 1\text{ MHz}$	5.5	6	6.5	dB
CToYdel	Chroma to Luma Delay, source Y1/C	$V_{IN} = 1\ V_{PP}$ at $f = 3.58\text{ MHz}$			20	ns
YCadd	Voltage to be applied at CVBS_ENC input for Y+C adder selection			$V_{CC}$	$V_{CC}$	V



### 2.3.3 Pb/Pr Section

Test conditions:  $T_{AMB} = 25^{\circ}\text{C}$ ,  $V_{CC} = 5\text{ V}$ ;  $V_{CCB} = 5\text{ V}$ ;  $R_{GENERATOR} = 75\ \Omega$  and  $R_{LOUT} = 150\ \Omega$ , unless otherwise specified.

Symbol	Parameter	Test Conditions	Min.	Typ.	Max.	Unit
$V_{DCIN\_SYNC}$	DC Input Level	Sync clamp input (Pr,Pb) Sync signal on Y input		3.0		V
$I_{CLAMP\_SYN\_C}$	Clamping Current, Sync clamp	Sync clamp input (Pr,Pb) at $V_{DCIN} - 400\text{ mV}$		100		$\mu\text{A}$
$C_{IN}$	Input Capacitance			2		pF
$V_{IN}$	Max Input Signal				1	$V_{PP}$
DYN	Dynamic Output Signal				2	$V_{PP}$
$DC_{PrPbOUT}$	DC Output Voltage (Pr and Pb Outputs)	Black Level sync signal on Y2 input		1.5		V
PF1	-1 dB Bandwidth (Flatness)		8	9		MHz
PF3	-3 dB Bandwidth			14		MHz
PSBR	Stopband Rejection	27 MHz versus 100 kHz		- 40		dB
Flatness	Spread of Gain in Video Bands	$V_{IN} = 1\ V_{PP}$ Band = 15 kHz to 10 MHz			$\pm 0.5$	dB
PCTo	Crosstalk Isolation of Pr or Pb from Y1, Y2 and CVBS Channels	$V_{IN} = 1\ V_{PP}$ at $f = 3.58\text{ MHz}$ , on Y1 or Y2 or CVBS input, $R_{LOAD} = 150\ \Omega$		55		dB
$R_{OUT}$	Output Resistance			5	10	$\Omega$
GP	Gain on Pr and Pb channels	$V_{IN} = 1\ V_{PP}$ at $f = 1\text{ MHz}$	5.5	6	6.5	dB

### 2.3.4 Mute Section

Test conditions:  $T_{AMB} = 25^{\circ}\text{C}$ ,  $V_{CC} = 5\text{ V}$ ;  $V_{CCB} = 5\text{ V}$ ;  $R_{GENERATOR} = 75\ \Omega$  and  $R_{LOUT} = 75\ \Omega$  unless otherwise specified.

Symbol	Parameter	Test Conditions	Min.	Typ.	Max.	Unit
$V_{00}$	MUTE Voltage for Y1/C/CVBS muted and Y2/Pr/Pb muted	Pin MUTE to GND or logical 0	0		1.1	V
$V_{01}$	MUTE Voltage for Y1/C/CVBS active and Y2/Pr/Pb muted	Pin MUTE opened (not connected) See Note 1.	1.3		1.7	V
$V_{10}$	MUTE Voltage for Y1/C/CVBS muted and Y2/Pr/Pb active	Pin MUTE connected by 22 k $\Omega$ to VCC or at 3.3V ( $I_{IN} < 140\ \mu\text{A}$ )	1.9		4	V
$V_{11}$	MUTE Voltage for Y1/C/CVBS active and Y2/Pr/Pb active	Pin MUTE to VCC (5V)	4.2		Vcc	V

Note: 1 When the MUTE pin is left open, its voltage is defined by an internal voltage divider performed by a 42 k $\Omega$  resistor to Vcc and 18 k $\Omega$  resistor to GND.

### 3 Input/Output Groups

Figure 4: Bottom Clamped Video Input (Y1\_ENC)

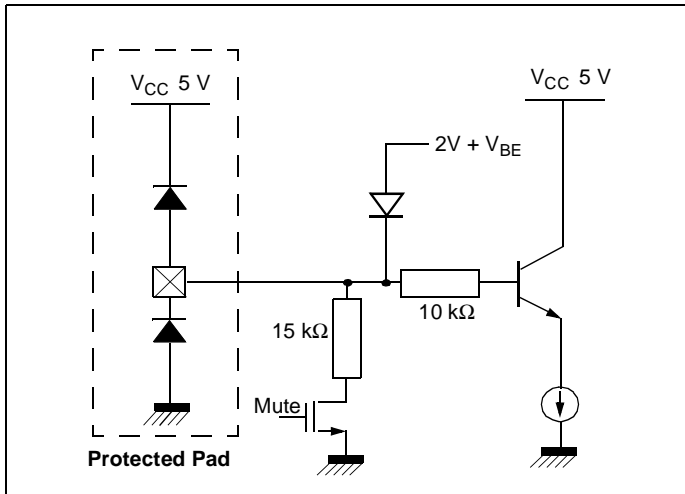


Figure 6: Video Outputs (CVBSOUT, Y1OUT, Y2OUT, PROUT and PBOUT)

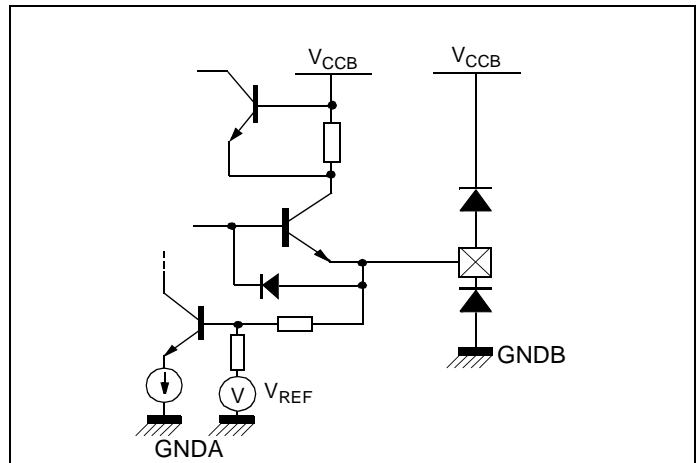


Figure 5: Average Clamped Video Input (C\_ENC)

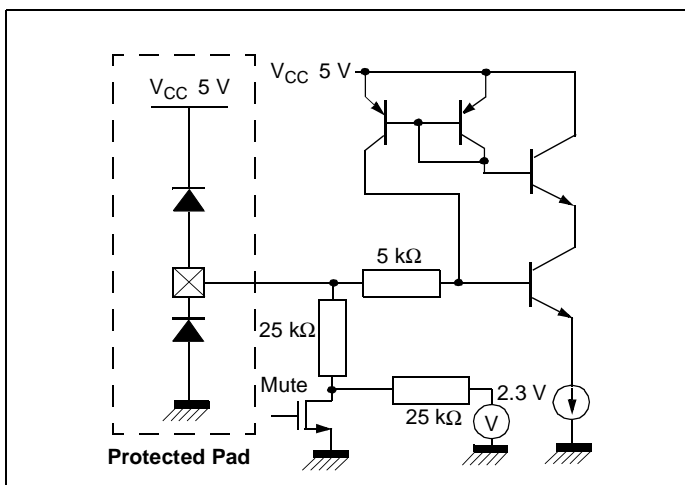


Figure 7: C Video Output (COUT)

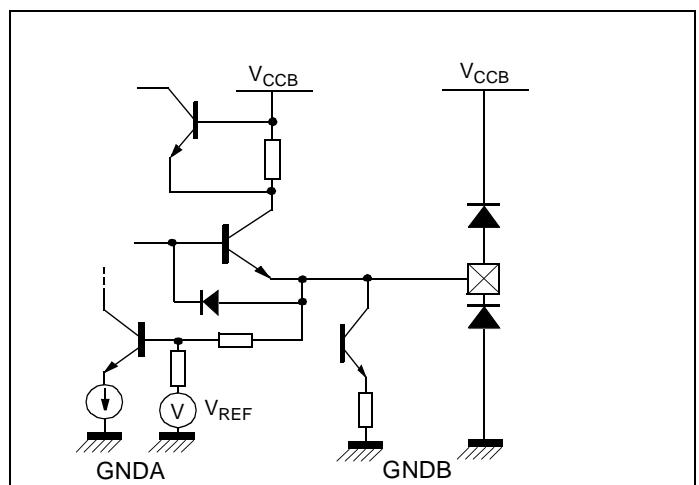


Figure 8: Black Level Clamped Video Input (Y2\_ENC)

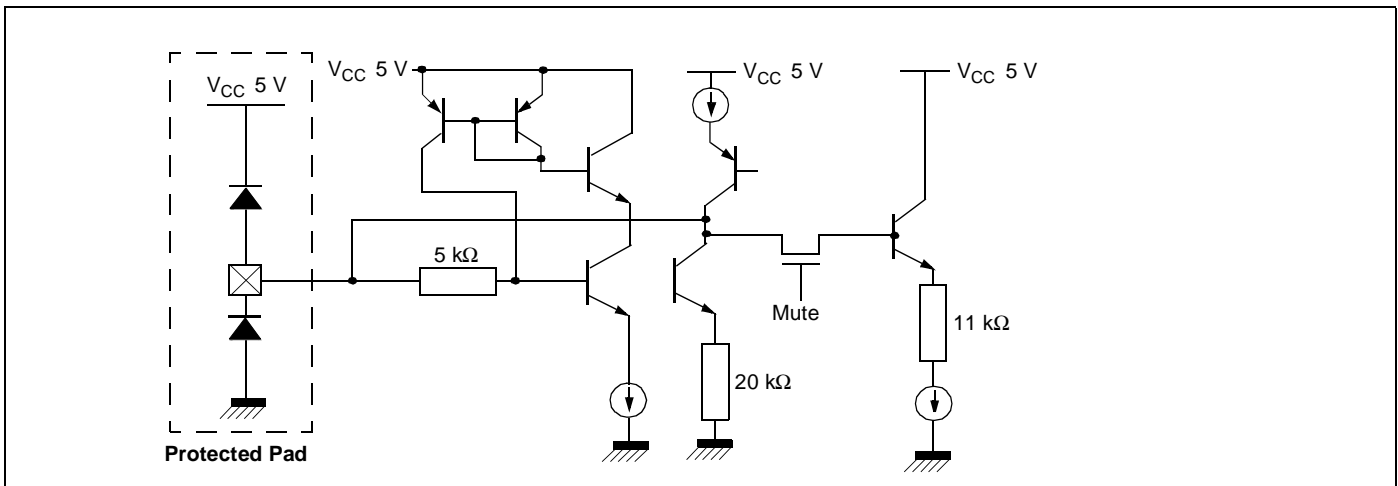


Figure 9: Pb/Pr Inputs (PR\_ENC and PB\_ENC)

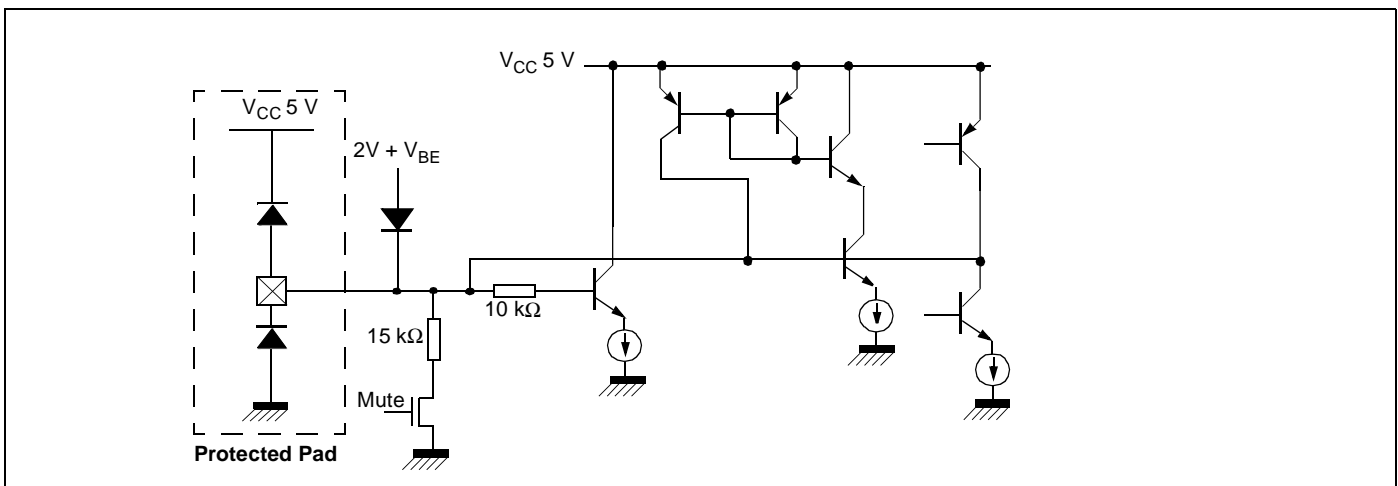


Figure 10: Decoupling Capacitor (DEC)

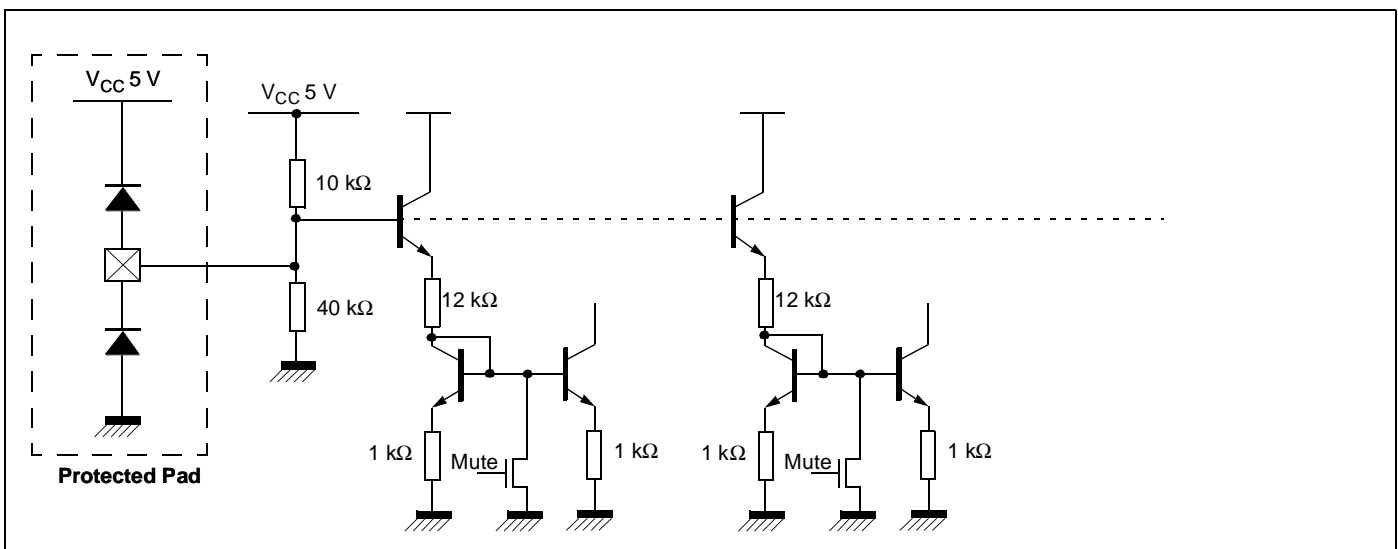


Figure 11: Mute (MUTE)

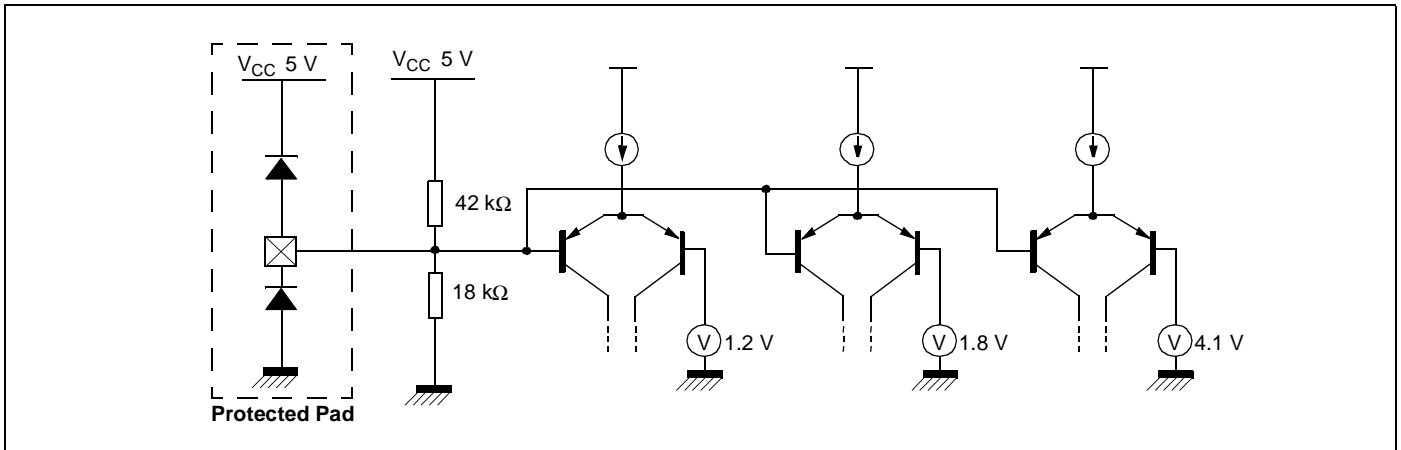


Figure 12: CVBS Input (CVBS\_ENC)

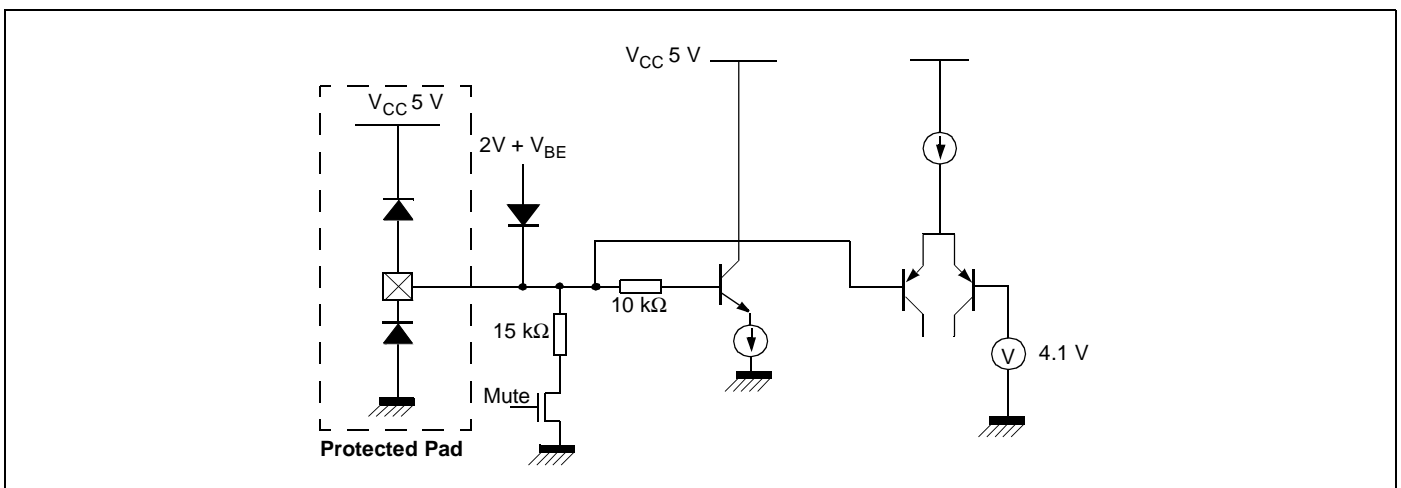


Figure 13: Power Supply Connection

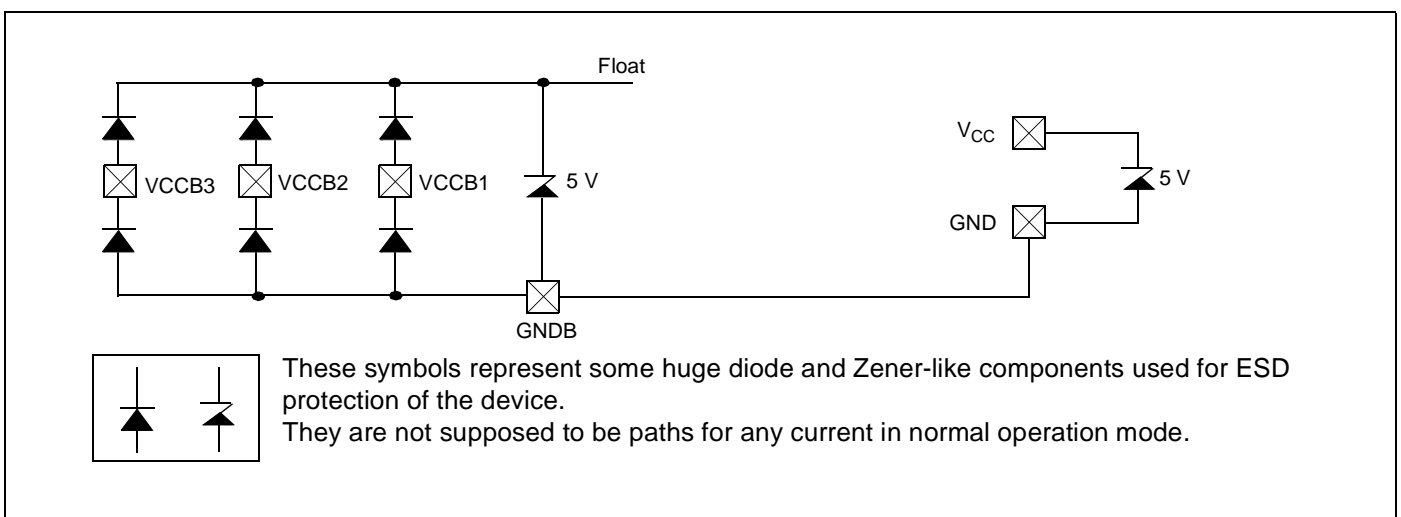
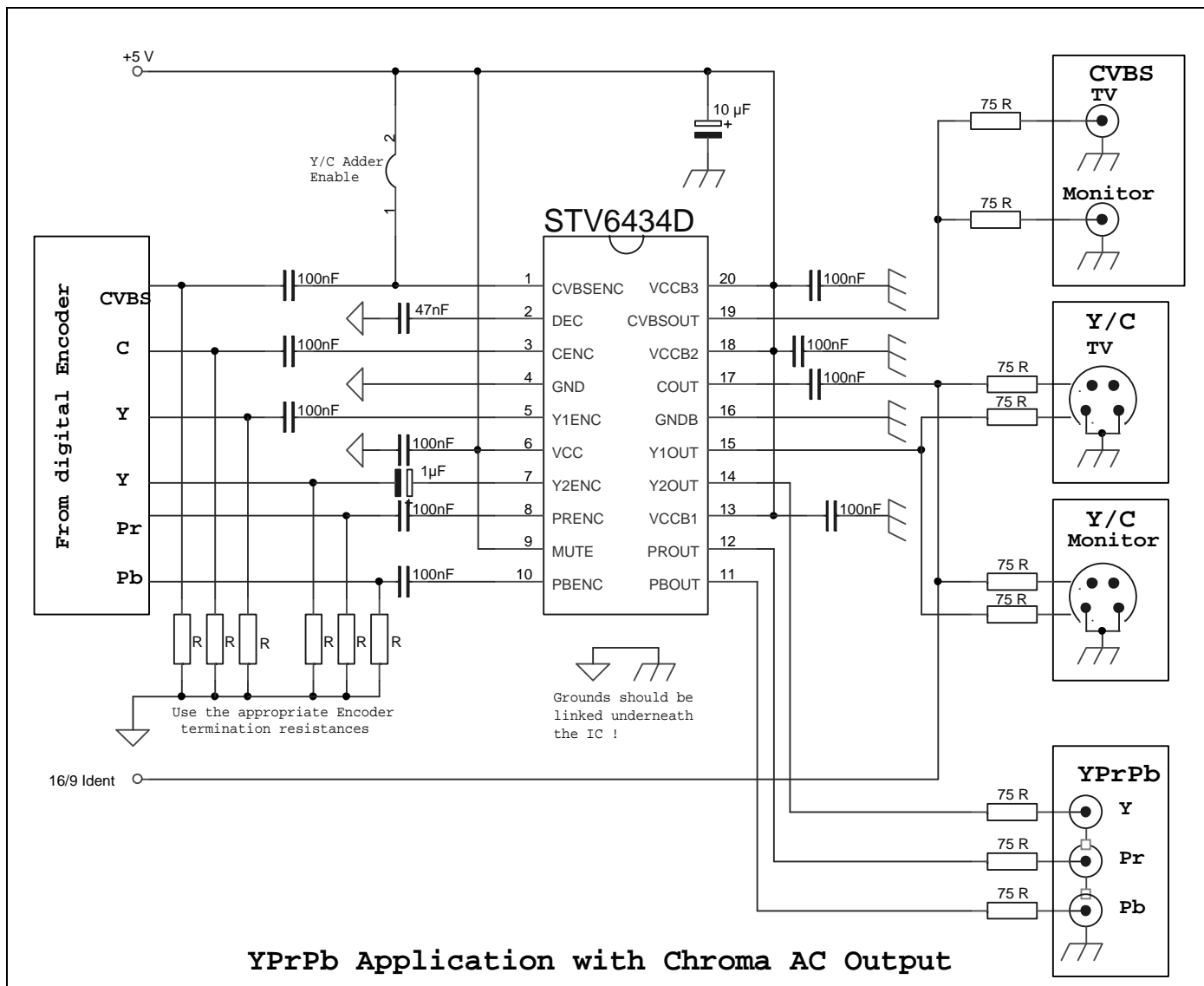


Table 2: Power Supply Connections

Supply	Description
VCCB1	Y2OUT, PROUT and PBOU Supply
VCCB2	Y1OUT and COU Supply
VCCB3	CVBSOU Supply
GNDB	Output Buffer Ground
VCC	Input Stages, Filters and 6-dB Amplifier Supply
GND	Input Stages, Filters and 6-dB Amplifier Ground

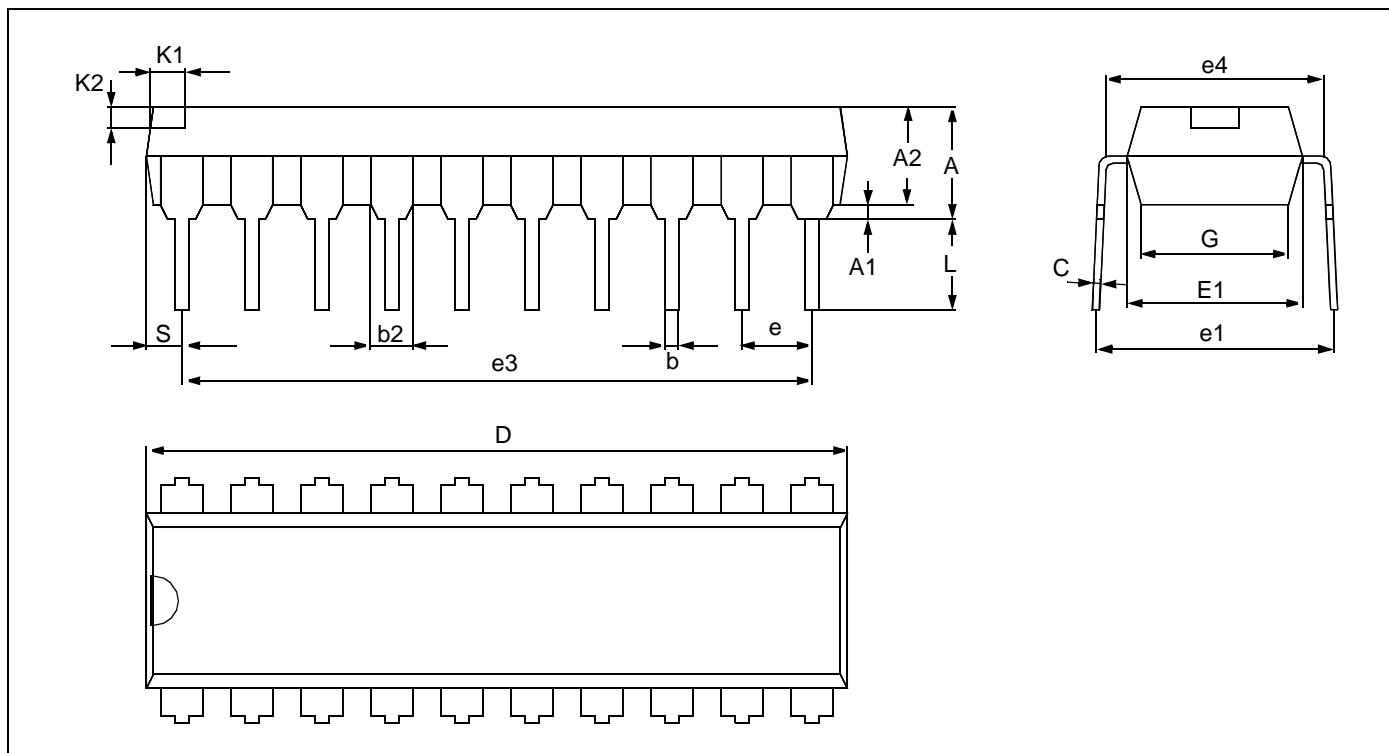
# 4 Application Diagram

Figure 14: Typical STV6434 Application Diagram



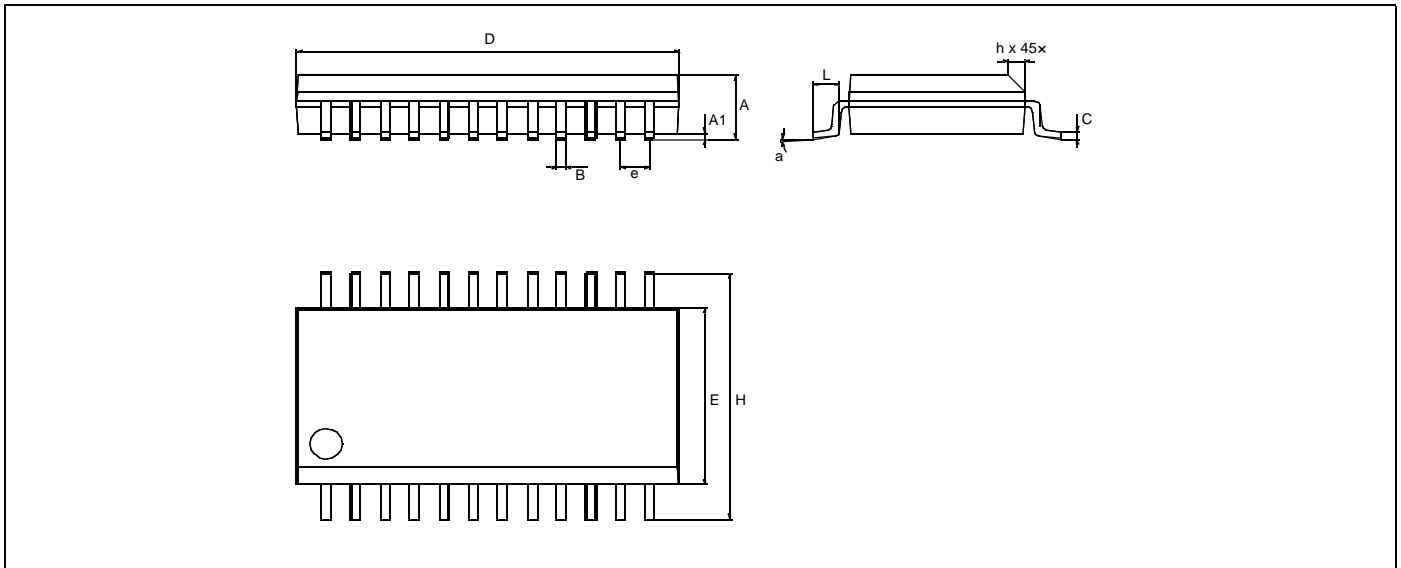
## 5 Package Mechanical Data

Figure 15: 20-Pin Plastic Single in Line Package (PDIP20)



Dim.	mm			Inches		
	Min.	Typ.	Max.	Min.	Typ.	Max.
A			5.33			0.210
A1	0.38			0.015		
A2	2.92	3.30	4.95	0.115	0.130	0.195
b	0.36	0.46	0.56	0.014	0.018	0.022
b2	1.14	1.52	1.78	0.045	0.060	0.070
c	0.20	0.25	0.36	0.008	0.010	0.014
D	24.89		26.92	0.980		1.060
e		2.54			0.100	
E1	6.10	6.35	7.11	0.240	0.250	0.280
L	2.92	3.30	3.81	0.115	0.130	0.150

Figure 16: 24-Pin Plastic Small Outline Package (SO24)



Dim.	mm			Inches		
	Min.	Typ.	Max.	Min.	Typ.	Max.
A	2.35		2.65	0.093		0.104
A1	0.10		0.30	0.004		0.012
B	0.33		0.51	0.013		0.020
C	0.23		0.32	0.009		0.013
D	15.20		15.60	0.599		0.614
E	7.40		7.60	0.291		0.299
e		1.27			0.050	
H	10.00		10.65	0.394		0.419
h	0.25		0.75	0.010		0.030
$\alpha$	0°		8°	0°		8°
L	0.40		1.27	0.016		0.050



## 6 Revision History

Revision	Main Changes	Date
0.1	First Issue.	03 January 2002
1.0	Revised Issue. Document format updated.	31 January 2002
1.1	Modification of MUTE and PB_ENC pinout. Modification of Figure 3: STV6434 Block Diagram. Modification of values in Section 2.3: Electrical Characteristics, Section 2.3.1: Video Section (Y1, Y2 and CVBS Signals), Section 2.3.2: Chroma Section and Section 2.3.3: Pb/Pr Section.	13 February 2002
1.2	Addition of Section 3: Input/Output Groups. Modification of Figure 3: STV6434 Block Diagram. Modification of values in Section 2.3: Electrical Characteristics, Section 2.3.1: Video Section (Y1, Y2 and CVBS Signals), Section 2.3.2: Chroma Section and Section 2.3.3: Pb/Pr Section.	23 April 2002
1.3	Addition of Figure 14: Typical STV6434 Application Diagram, Modification of Figure 3: STV6434 Block Diagram and parameters in Section 2.3: Electrical Characteristics.	14 June 2002
1.4	Modification of Figure 3: STV6434 Block Diagram and Active Channel and Mute values in Section 2.3: Electrical Characteristics.	21 June 2002
1.5	Modification of Vin and DYN values in Section 2.3.1: Video Section (Y1, Y2 and CVBS Signals).	27 August 2003

Information furnished is believed to be accurate and reliable. However, STMicroelectronics assumes no responsibility for the consequences of use of such information nor for any infringement of patents or other rights of third parties which may result from its use. No license is granted by implication or otherwise under any patent or patent rights of STMicroelectronics. Specifications mentioned in this publication are subject to change without notice. This publication supersedes and replaces all information previously supplied. STMicroelectronics products are not authorized for use as critical components in life support devices or systems without express written approval of STMicroelectronics.

The ST logo is a registered trademark of STMicroelectronics

© 2003 STMicroelectronics - All Rights Reserved

STMicroelectronics GROUP OF COMPANIES

Australia - Brazil - Canada - China - Finland - France - Germany - Hong Kong - India - Israel - Italy - Japan  
Malaysia - Malta - Morocco - Singapore - Spain - Sweden - Switzerland - United Kingdom - U.S.A.

[www.st.com](http://www.st.com)