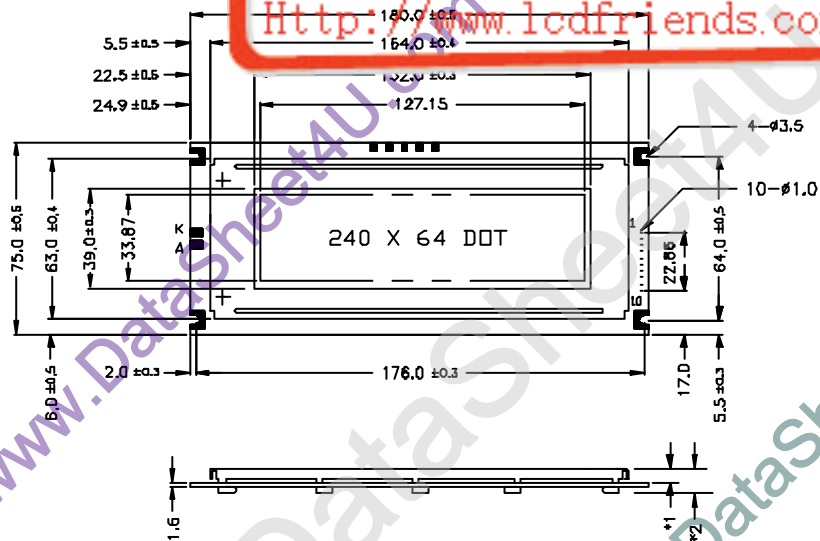


液晶之友 电话: 020-33819057
[Http://www.lcdfriends.com](http://www.lcdfriends.com)



1	2	3	4	5	6	7	8	9	10	A	K
D	FLM	M	CL1	CL2	NC	V _{CC}	V _{SS}	VEE	V ₀	LED+	LED-

TYPE	*1	*2
R&EL	4.0	11.0
LED	8.5	15.0