

1.0 FEATURES

- Wide operating voltage (2 - 12V)
- Low standby current 1 μ A typical
- On-chip RC oscillator
- Four time transmission for error checking
- 4,096 combinations encoding capability
- Minimum external components
- Easy interface with RF, Ultrasonic or Infrared transmission media

特點

工作電壓 (2 - 12V)
 靜態電流低, 典型 1 μ A
 芯片上置有振盪器
 4 次錯誤檢驗發送
 最多可有 4,096 種編碼能力
 外接零件少
 容易與 RF, 超音波或紅外線
 傳送媒體連接

2.0 ELECTRICAL CHARACTERISTICS 電特性

$V_{DD} = 5V, T_A = 25^\circ C$ (unless otherwise specified 特別註明除外)

| PARAMETER | SYMBOL | LIMITS | | | UNIT |
|---|-------------------------|--------|-----|-----|---------|
| | | MIN | TYP | MAX | |
| Operating Voltage 工作電壓 | V_{DD} | 2 | 5 | 12 | V |
| Standby Current 靜態電流 | I_{SBY} | - | 1 | 10 | μ A |
| Operating Current 工作電流 | I_{OP} | - | 1 | - | mA |
| Source Current 來源電流 ($V_{OH} = 4.5V$) | I_{OH} | -1 | - | - | mA |
| Sink Current 灌進電流 ($V_{OL} = 0.5V$) | I_{OL} | 1 | - | - | mA |
| Input Current 輸入電流 | $I_{IN}(\overline{TE})$ | - | - | 25 | μ A |

3.0 APPLICATION 應用

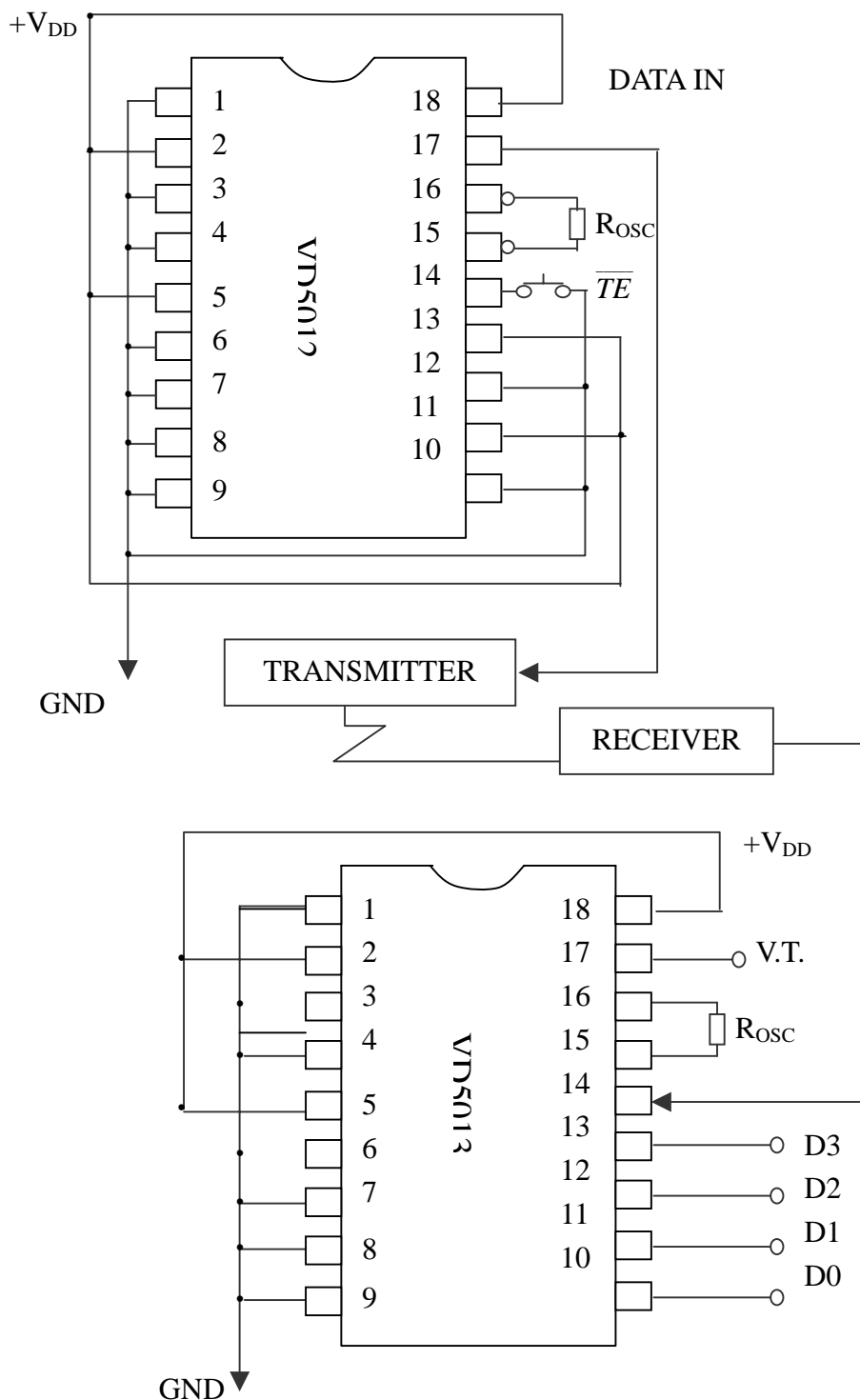
- Security systems 保安系統
- Theft alarm systems 防盜警告系統
- Cordless telephone 無線電話
- Smoke and fire alarm systems 煙火警告系統
- Garage door controller 車房門控制器
- Other remote control systems 其他遙控系統

4.0 APPLICATION INFORMATION 應用資料

$F_{osc}(VD5013) = 50F_{osc}(VD5012)$

TYP. $R_{osc}(VD5012) = 3M\Omega$

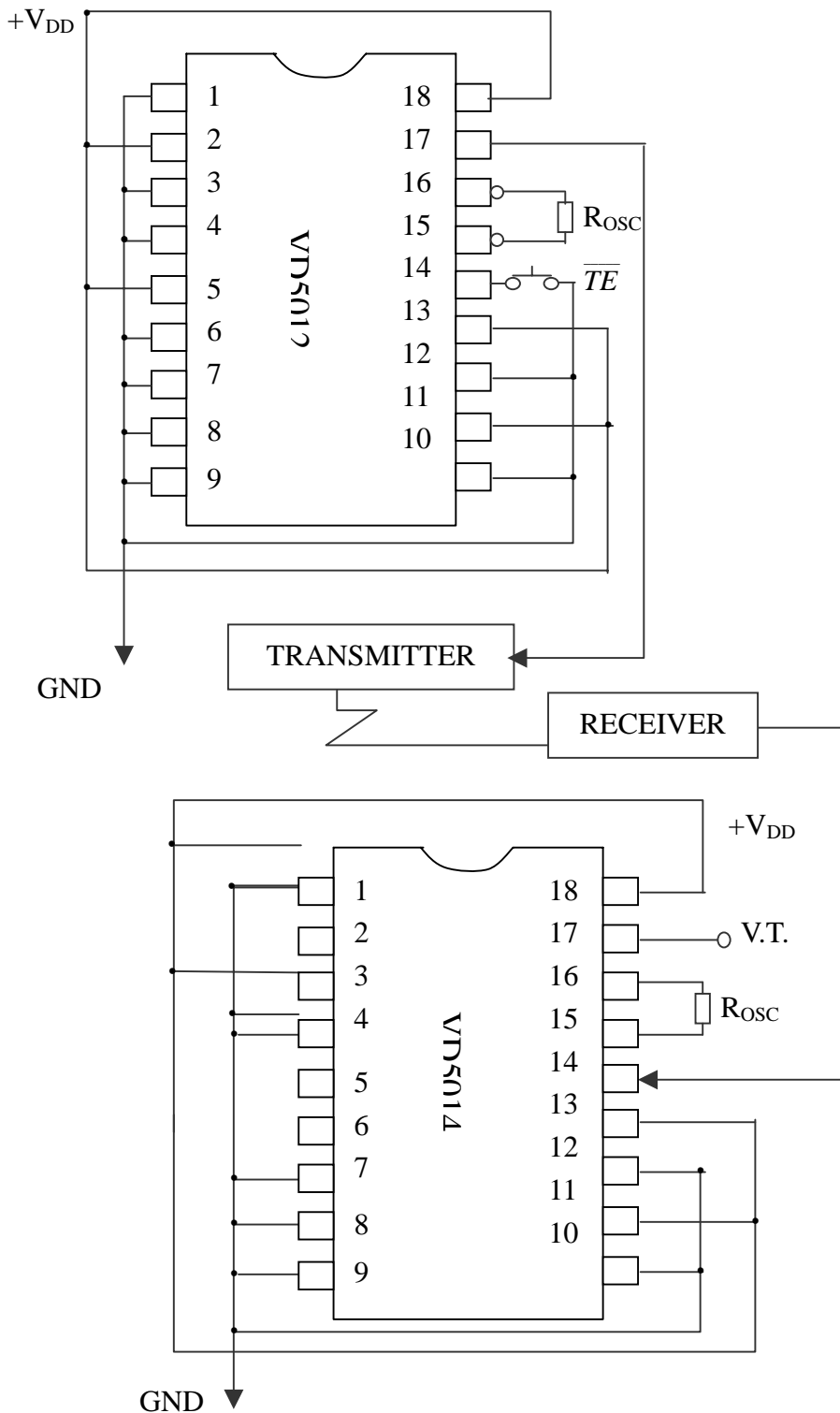
TYP. $R_{osc}(VD5013) = 230K\Omega$



$F_{osc}(VD5014) = 50F_{osc}(VD5012)$

TYP. $R_{osc}(VD5012) = 3M\Omega$

TYP. $R_{osc}(VD5014) = 230K\Omega$



The IC substrate should be connected to V_{DD}. 芯片襯底請接V_{DD}.

This datasheet has been downloaded from:

www.DatasheetCatalog.com

Datasheets for electronic components.