

1-Mbit (64K x 16) Static RAM

Features

- **Very high speed: 45 ns**
- **Wide voltage range: 2.2V to 3.6V**
- **Pin compatible with CY62126BV**
- **Ultra-low active power**
 - Typical active current: 0.85 mA @ f = 1 MHz
 - Typical active current: 5 mA @ f = f_{MAX}
- **Ultra-low standby power**
- **Easy memory expansion with \overline{CE} and \overline{OE} features**
- **Automatic power-down when deselected**
- **Packages offered in a 48-ball FBGA and a 44-lead TSOP Type II**
- **Also available in Lead-free packages**

Functional Description^[1]

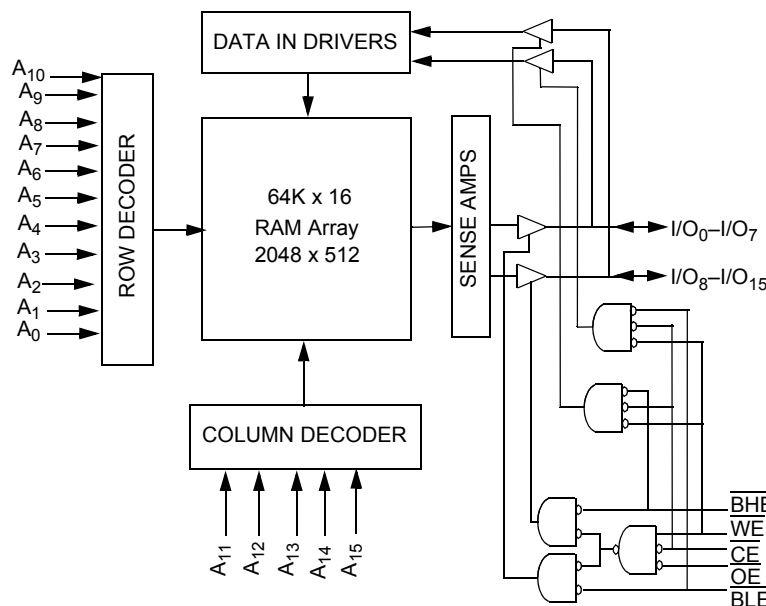
The CY62126DV30 is a high-performance CMOS static RAM organized as 64K words by 16 bits. This device features advanced circuit design to provide ultra-low active current. This is ideal for providing More Battery Life™ (MoBL[®]) in portable applications such as cellular telephones. The device

also has an automatic power-down feature that significantly reduces power consumption by 90% when addresses are not toggling. The device can be put into standby mode reducing power consumption by more than 99% when deselected (\overline{CE} HIGH). The input/output pins (I/O₀ through I/O₁₅) are placed in a high-impedance state when: deselected (\overline{CE} HIGH), outputs are disabled (\overline{OE} HIGH), both Byte High Enable and Byte Low Enable are disabled (\overline{BHE} , \overline{BLE} HIGH) or during a write operation (\overline{CE} LOW and \overline{WE} LOW).

Writing to the device is accomplished by taking Chip Enable (\overline{CE}) and Write Enable (\overline{WE}) inputs LOW. If Byte Low Enable (\overline{BLE}) is LOW, then data from I/O pins (I/O₀ through I/O₇), is written into the location specified on the address pins (A₀ through A₁₅). If Byte High Enable (\overline{BHE}) is LOW, then data from I/O pins (I/O₈ through I/O₁₅) is written into the location specified on the address pins (A₀ through A₁₅).

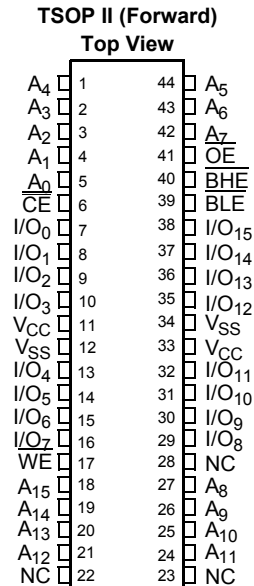
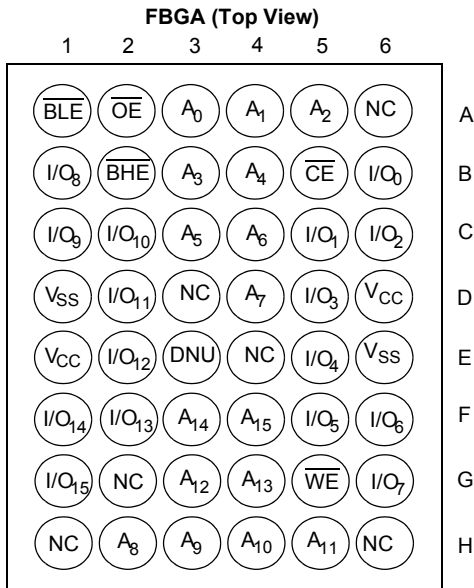
Reading from the device is accomplished by taking Chip Enable (\overline{CE}) and Output Enable (\overline{OE}) LOW while forcing the Write Enable (\overline{WE}) HIGH. If Byte Low Enable (\overline{BLE}) is LOW, then data from the memory location specified by the address pins will appear on I/O₀ to I/O₇. If Byte High Enable (\overline{BHE}) is LOW, then data from memory will appear on I/O₈ to I/O₁₅. See the truth table at the back of this data sheet for a complete description of read and write modes.

Logic Block Diagram



Note:

1. For best-practice recommendations, please refer to the Cypress application note "System Design Guidelines" on <http://www.cypress.com>.

Pin Configurations^[2, 3]

Product Portfolio

Product	V _{CC} Range (V)			Speed (ns)	Power Dissipation					
					Operating, I _{CC} (mA)				Standby, I _{SB2} (μA)	
	Min.	Typ.	Max.		f = 1 MHz		f = f _{MAX}			
					Typ. ^[4]	Max.	Typ. ^[4]	Max.	Typ. ^[4]	Max.
CY62126DV30L	2.2	3.0	3.6	45	0.85	1.5	6.5	13	1.5	5
CY62126DV30LL				45	0.85	1.5	6.5	13	1.5	4
CY62126DV30L	2.2	3.0	3.6	55	0.85	1.5	5	10	1.5	5
CY62126DV30LL				55	0.85	1.5	5	10	1.5	4
CY62126DV30L	2.2	3.0	3.6	70	0.85	1.5	5	10	1.5	5
CY62126DV30LL				70	0.85	1.5	5	10	1.5	4

Notes:

- NC pins are not connected to the die.
- E3 (DNU) can be left as NC or V_{SS} to ensure proper operation. (Expansion Pins on FBGA Package: E4 - 2M, D3 - 4M, H1 - 8M, G2 - 16M, H6 - 32M).
- Typical values are included for reference only and are not guaranteed or tested. Typical values are measured at V_{CC} = V_{CC(typ)}, T_A = 25°C.



Maximum Ratings

(Above which the useful life may be impaired. For user guidelines, not tested.)

- Storage Temperature-65°C to +150°C
- Ambient Temperature with Power Applied.....-55°C to +125°C
- Supply Voltage to Ground Potential..... -0.3V to 3.9V
- DC Voltage Applied to Outputs in High-Z State^[5.].....-0.3V to V_{CC} + 0.3V

- DC Input Voltage^[5]..... -0.3V to V_{CC} + 0.3V
- Output Current into Outputs (LOW)..... 20 mA
- Static Discharge Voltage..... > 2001V (per MIL-STD-883, Method 3015)
- Latch-up Current > 200 mA

Operating Range

Range	Ambient Temperature (T _A)	V _{CC} ^[6.]
Industrial	-40°C to +85°C	2.2V to 3.6V

DC Electrical Characteristics (Over the Operating Range)

Parameter	Description	Test Conditions		CY62126DV30-45			CY62126DV30-55			CY62126DV30-70			Unit
				Min.	Typ. ^[4]	Max.	Min.	Typ. ^[4]	Max.	Min.	Typ. ^[4]	Max.	
V _{OH}	Output HIGH Voltage	2.2 ≤ V _{CC} ≤ 2.7	I _{OH} = -0.1 mA	2.0			2.0			2.0			V
		2.7 ≤ V _{CC} ≤ 3.6	I _{OH} = -1.0 mA	2.4			2.4			2.4			
V _{OL}	Output LOW Voltage	2.2 ≤ V _{CC} ≤ 2.7	I _{OL} = 0.1 mA			0.4			0.4			0.4	V
		2.7 ≤ V _{CC} ≤ 3.6	I _{OL} = 2.1 mA			0.4			0.4			0.4	
V _{IH}	Input HIGH Voltage	2.2 ≤ V _{CC} ≤ 2.7		1.8		V _{CC} + 0.3	1.8		V _{CC} + 0.3	1.8		V _{CC} + 0.3	V
		2.7 ≤ V _{CC} ≤ 3.6		2.2		V _{CC} + 0.3	2.2		V _{CC} + 0.3	2.2		V _{CC} + 0.3	
V _{IL}	Input LOW Voltage	2.2 ≤ V _{CC} ≤ 2.7		-0.3		0.6	-0.3		0.6	-0.3		0.6	V
		2.7 ≤ V _{CC} ≤ 3.6		-0.3		0.8	-0.3		0.8	-0.3		0.8	
I _{IX}	Input Leakage Current	GND ≤ V _I ≤ V _{CC}		-1		+1	-1		+1	-1		+1	μA
I _{OZ}	Output Leakage Current	GND ≤ V _O ≤ V _{CC} , Output Disabled		-1		+1	-1		+1	-1		+1	μA
I _{CC}	V _{CC} Operating Supply Current	f = f _{MAX} = 1/t _{RC}	V _{CC} = 3.6V, I _{OUT} = 0 mA, CMOS level		6.5	13		5	10		5	10	mA
		f = 1 MHz			0.85	1.5		0.85	1.5		0.85	1.5	
I _{SB1}	Automatic CE Power-down Current – CMOS Inputs	CE ≥ V _{CC} - 0.2V, V _{IN} ≥ V _{CC} - 0.2V, V _{IN} ≤ 0.2V, f = f _{MAX} (Address and Data Only), f = 0 (OE, WE, BHE and BLE)		L	1.5	5		1.5	5		1.5	5	μA
				LL	1.5	4		1.5	4		1.5	4	
I _{SB2}	Automatic CE Power-down Current – CMOS Inputs	CE ≥ V _{CC} - 0.2V, V _{IN} ≥ V _{CC} - 0.2V or V _{IN} ≤ 0.2V, f = 0, V _{CC} = 3.6V		L	1.5	5		1.5	5		1.5	5	μA
				LL	1.5	4		1.5	4		1.5	4	

Notes:

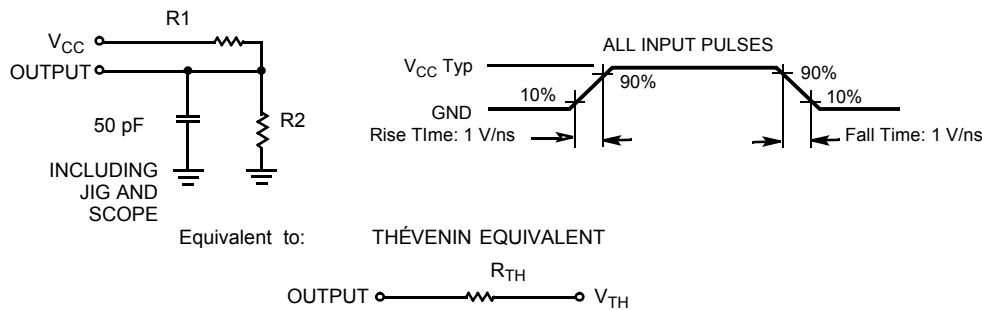
- 5. V_{IL(min.)} = -2.0V for pulse durations less than 20 ns., V_{IH(max.)} = V_{CC} + 0.75V for pulse durations less than 20 ns.
- 6. Full device operation requires linear ramp of V_{CC} from 0V to V_{CC(min)} & V_{CC} must be stable at V_{CC(min)} for 500 μs.

Capacitance^[7]

Parameter	Description	Test Conditions	Max.	Unit
C _{IN}	Input Capacitance	T _A = 25°C, f = 1 MHz V _{CC} = V _{CC(typ)}	8	pF
C _{OUT}	Output Capacitance		8	pF

Thermal Resistance

Parameter	Description	Test Conditions	TSOP	FBGA	Unit
θ _{JA}	Thermal Resistance (Junction to Ambient) ^[7]	Still Air, soldered on a 3 x 4.5 inch, two-layer printed circuit board	55	76	°C/W
θ _{JC}	Thermal Resistance (Junction to Case) ^[7]		12	11	°C/W

AC Test Loads and Waveforms^[8]


Parameters	2.5V	3.0V	Unit
R1	16600	1103	Ohms
R2	15400	1554	Ohms
R _{TH}	8000	645	Ohms
V _{TH}	1.2	1.75	Volts

Data Retention Characteristics

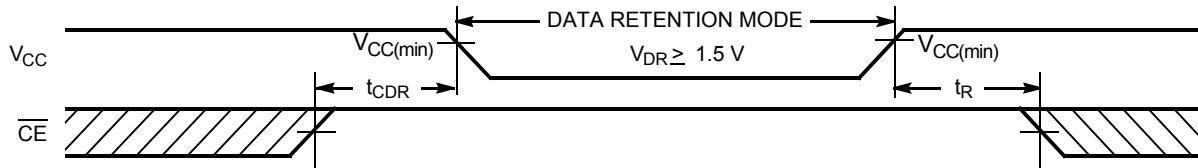
Parameter	Description	Conditions	Min.	Typ ^[4]	Max.	Unit
V _{DR}	V _{CC} for Data Retention		1.5			V
I _{CCDR}	Data Retention Current	V _{CC} =1.5V, $\overline{CE} \geq V_{CC} - 0.2V$, V _{IN} ≥ V _{CC} - 0.2V or V _{IN} ≤ 0.2V	L		4	μA
			LL		3	
t _{CDR} ^[7]	Chip Deselect to Data Retention Time		0			ns
t _R ^[9]	Operation Recovery Time		100			μs

Notes:

7. Tested initially and after any design or process changes that may affect these parameters.

8. Test condition for the 45 ns part is a load capacitance of 30 pF

9. Full device operation requires linear V_{CC} ramp from V_{DR} to V_{CC(min.)} >100 μs.

Data Retention Waveform

Switching Characteristics (Over the Operating Range)^[10]

Parameter	Description	CY62126DV30-45 ^[8]		CY62126DV30-55		CY62126DV30-70		Unit
		Min.	Max.	Min.	Max.	Min.	Max.	
Read Cycle								
t _{RC}	Read Cycle Time	45		55		70		ns
t _{AA}	Address to Data Valid		45		55		70	ns
t _{OHA}	Data Hold from Address Change	10		10		10		ns
t _{ACE}	CE LOW to Data Valid		45		55		70	ns
t _{DOE}	OE LOW to Data Valid		25		25		35	ns
t _{LZOE}	OE LOW to Low Z ^[11]	5		5		5		ns
t _{HZOE}	OE HIGH to High Z ^[11, 12]		15		20		25	ns
t _{LZCE}	CE LOW to Low Z ^[11]	10		10		10		ns
t _{HZCE}	CE HIGH to High Z ^[11, 12]		20		20		25	ns
t _{PU}	CE LOW to Power-up	0		0		0		ns
t _{PD}	CE HIGH to Power-down		45		55		70	ns
t _{DBE}	BLE/BHE LOW to Data Valid		25		25		35	ns
t _{LZBE}	BLE/BHE LOW to Low Z ^[11]	5		5		5		ns
t _{HZBE}	BLE/BHE HIGH to High-Z ^[11, 12]		15		20		25	ns
Write Cycle^[13]								
t _{WC}	Write Cycle Time	45		55		70		ns
t _{SCE}	CE LOW to Write End	40		40		60		ns
t _{AW}	Address Set-up to Write End	40		40		60		ns
t _{HA}	Address Hold from Write End	0		0		0		ns
t _{SA}	Address Set-up to Write Start	0		0		0		ns
t _{PWE}	WE Pulse Width	35		40		50		ns
t _{BW}	BLE/BHE LOW to Write End	40		40		60		ns
t _{SD}	Data Set-up to Write End	25		25		30		ns
t _{HD}	Data Hold from Write End	0		0		0		ns
t _{HZWE}	WE LOW to High Z ^[11, 12]		15		20		25	ns
t _{LZWE}	WE HIGH to Low Z ^[11]	10		10		5		ns

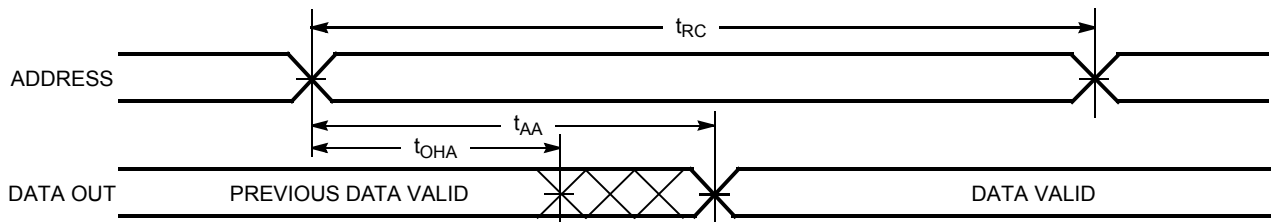
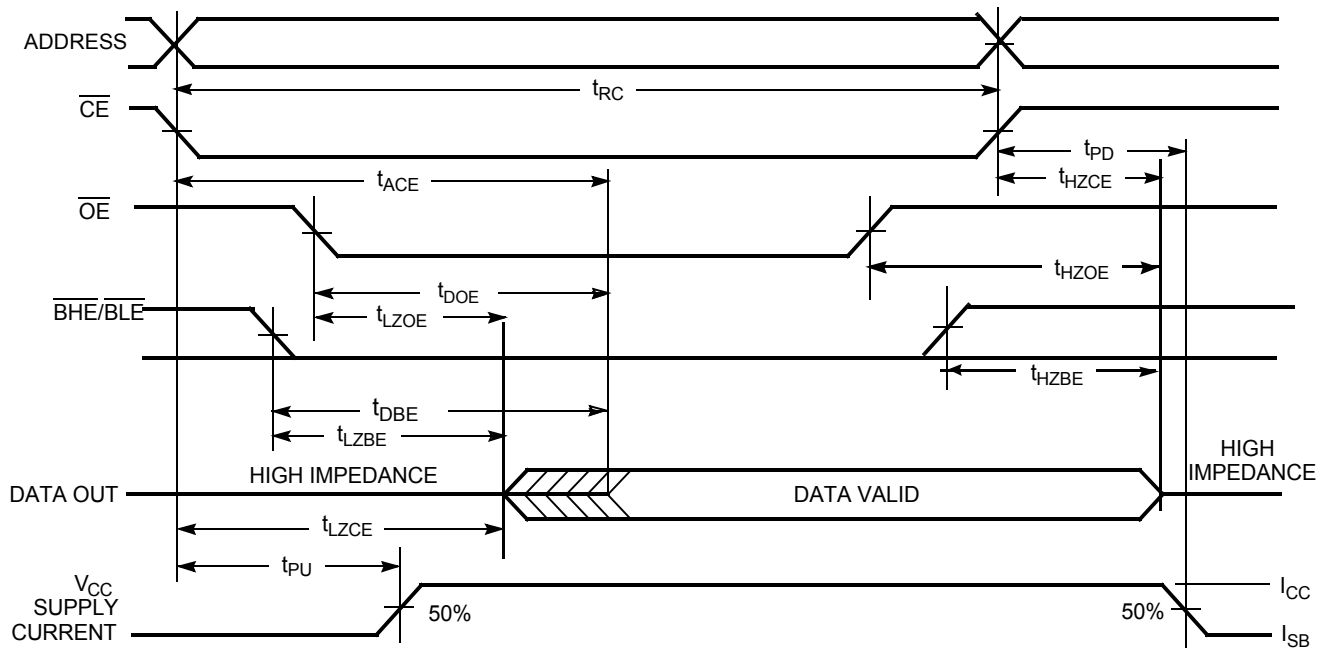
Notes:

10. Test conditions assume signal transition time of 1V/ns or less, timing reference levels of $V_{CC(typ)}/2$, input pulse levels of 0 to $V_{CC(typ)}$, and output loading of the specified I_{OL} .

11. At any given temperature and voltage condition, t_{HZCE} is less than t_{LZCE}, t_{HZBE} is less than t_{LZBE}, t_{HZOE} is less than t_{LZOE}.

12. t_{HZOE}, t_{HZCE}, t_{HZBE}, and t_{HZWE} transitions are measured when the outputs enter a high-impedance state.

13. The internal Write time of the memory is defined by the overlap of WE, CE = V_{IL}, BHE and/or BLE = V_{IL}. All signals must be ACTIVE to initiate a write and any of these signals can terminate a write by going INACTIVE. The data input set-up and hold timing should be referenced to the edge of the signal that terminates the write.

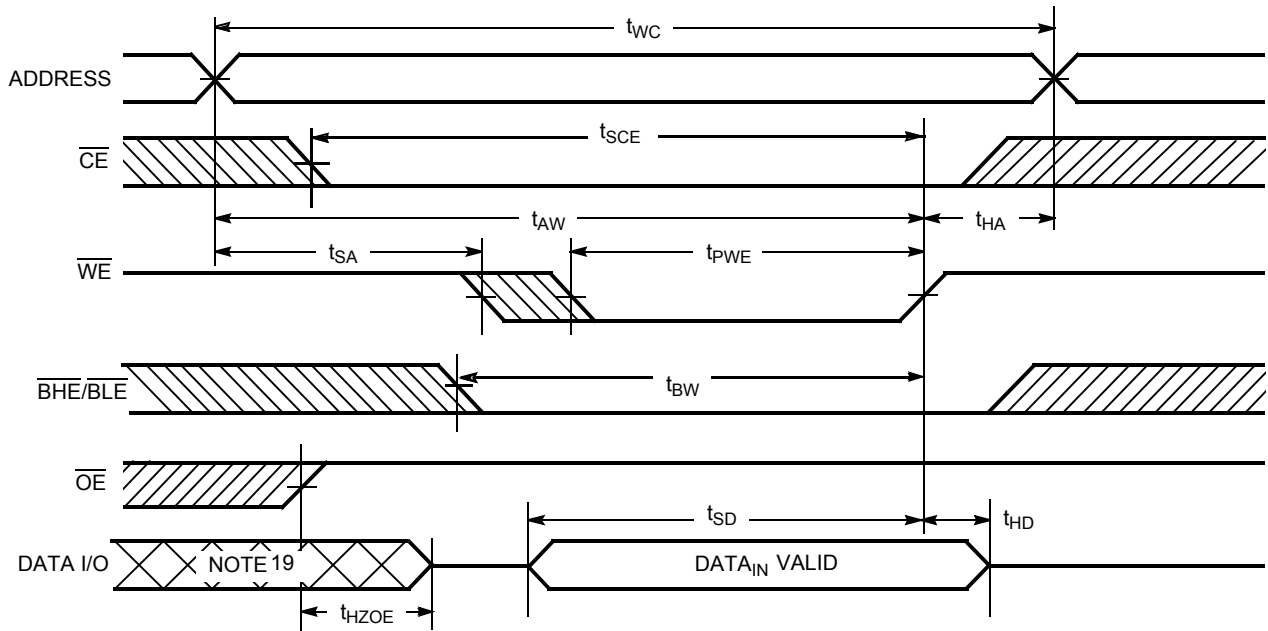
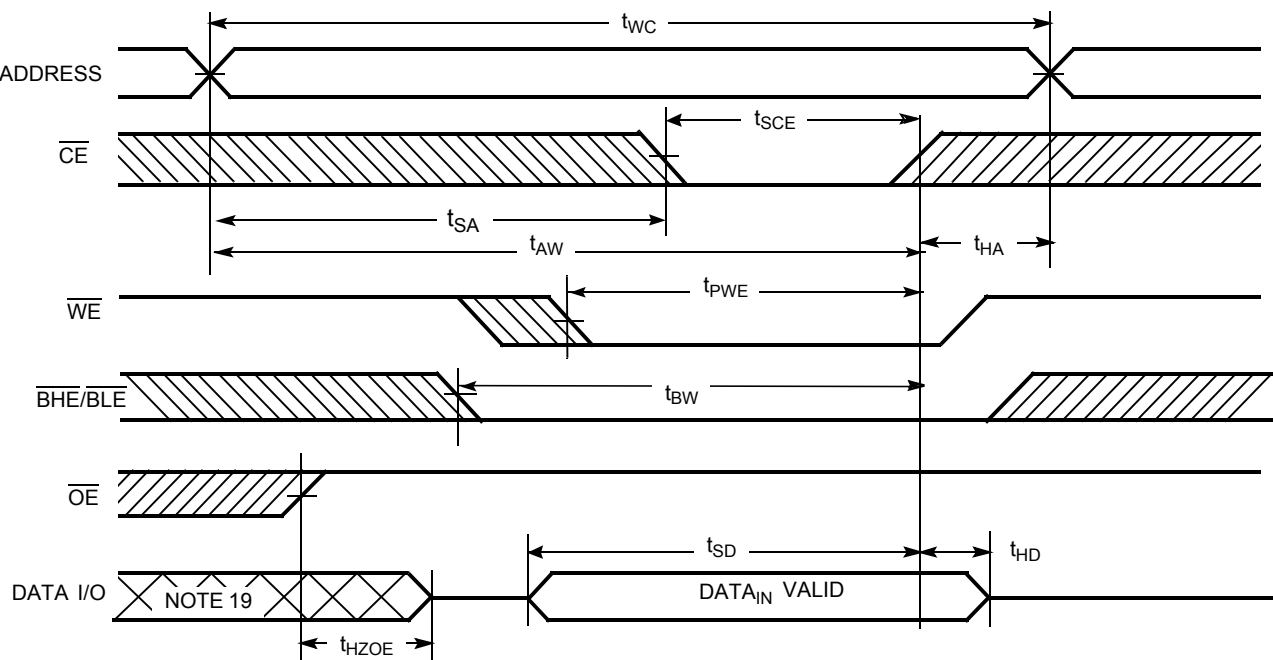
Switching Waveforms
Read Cycle No. 1 (Address Transition Controlled)^[14, 15]

Read Cycle No. 2 (\overline{OE} Controlled)^[15, 16]

Notes:

14. Device is continuously selected. \overline{OE} , \overline{CE} = V_{IL} , \overline{BHE} , \overline{BLE} = V_{IL} .

15. \overline{WE} is HIGH for Read cycle.

16. Address valid prior to or coincident with \overline{CE} , \overline{BHE} , \overline{BLE} transition LOW.

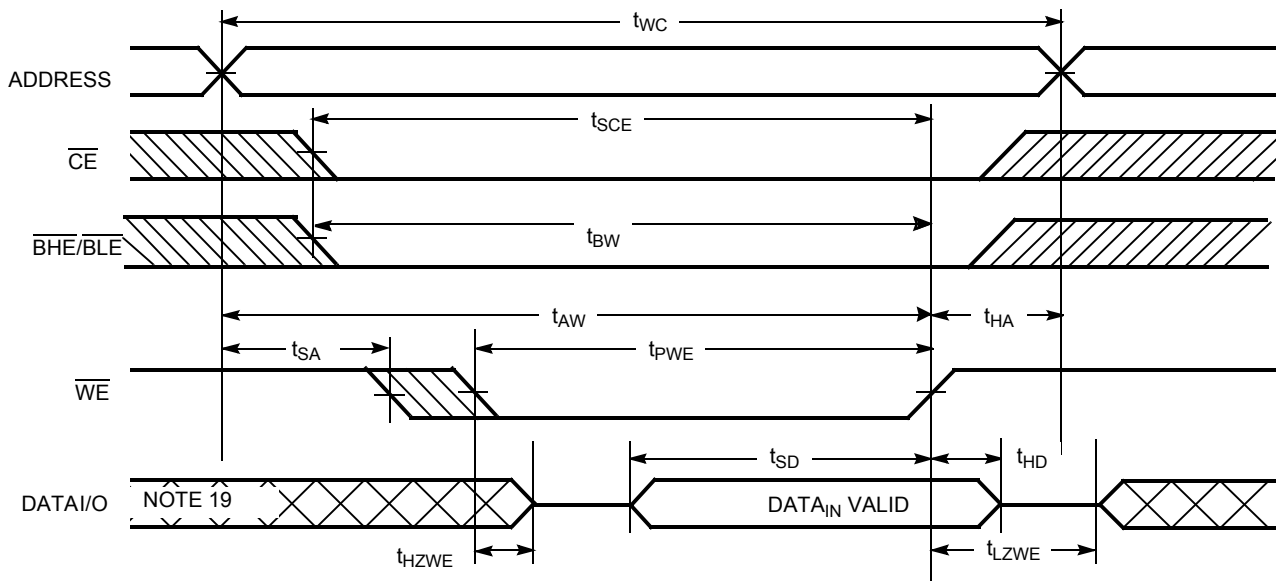
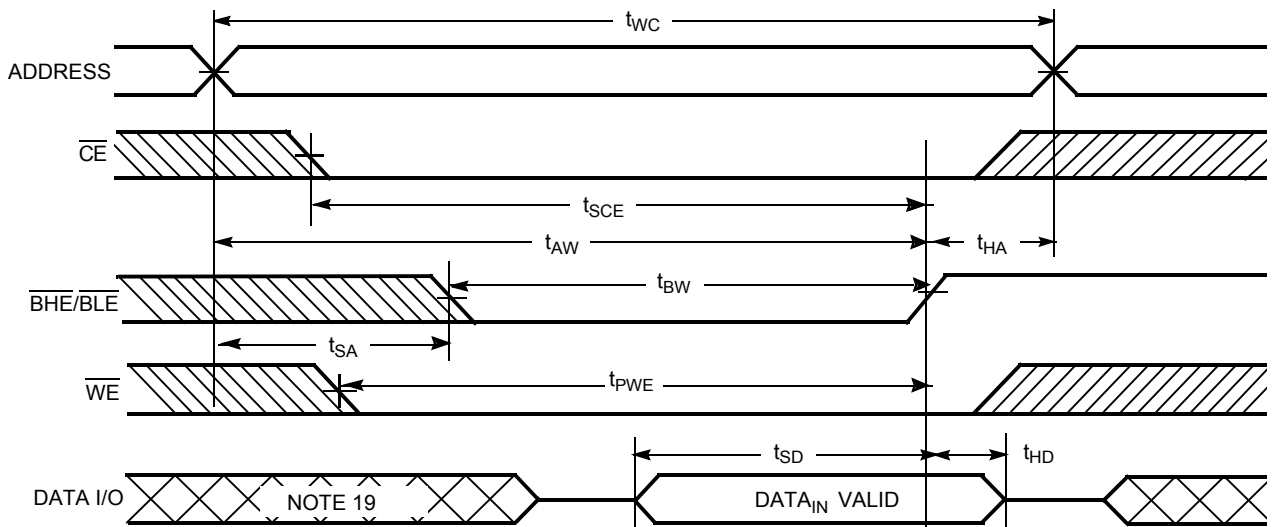
Switching Waveforms(continued)

Write Cycle No. 1 (\overline{WE} Controlled)^[12, 13, 16, 17, 18]

Write Cycle No. 2 (\overline{CE} Controlled)^[12, 13, 16, 17, 18]

Notes:

17. Data I/O is high-impedance if $\overline{OE} = V_{IH}$.

18. If \overline{CE} goes HIGH simultaneously with \overline{WE} HIGH, the output remains in a high-impedance state.

19. During the DON'T CARE period in the DATA I/O waveform, the I/Os are in output state and input signals should not be applied.

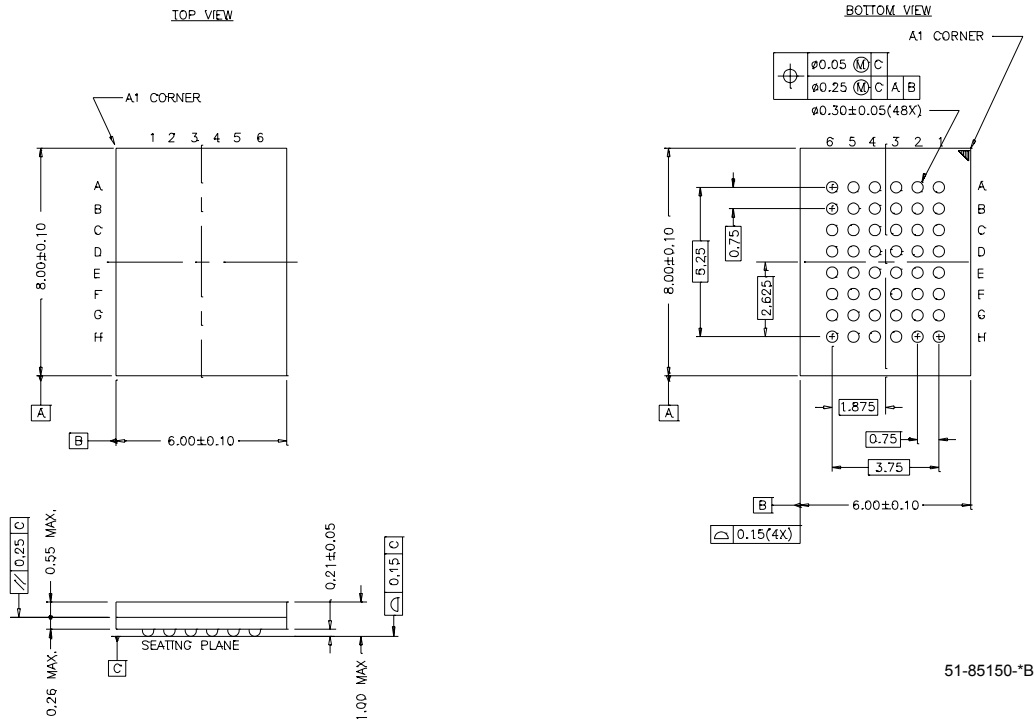
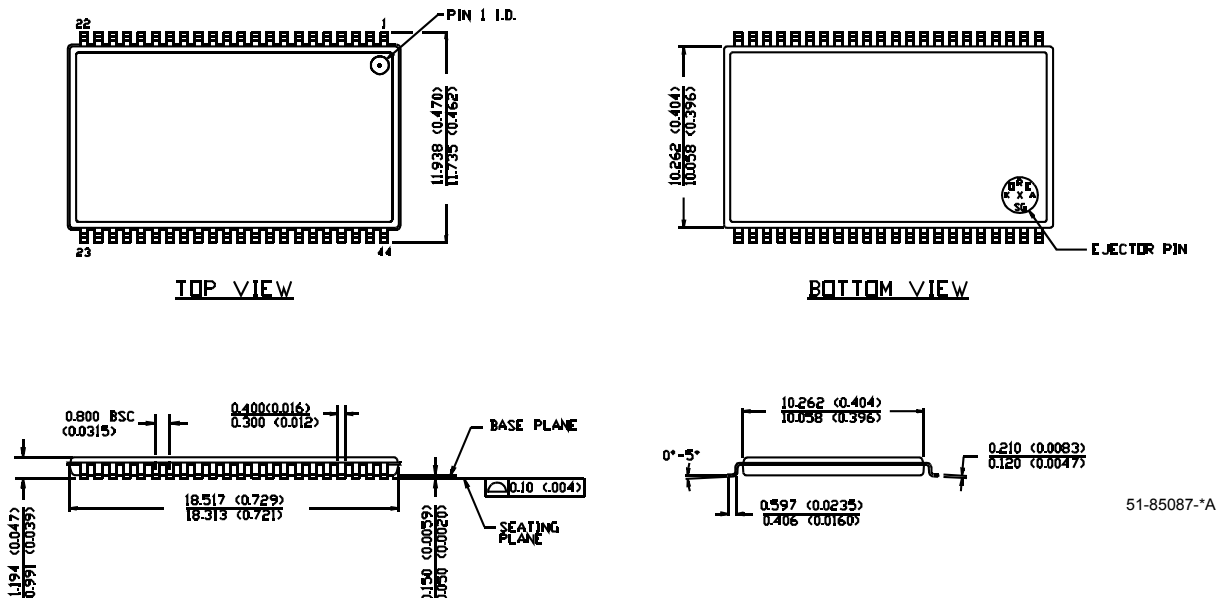
Switching Waveforms (continued)
Write Cycle No. 3 (\overline{WE} Controlled, \overline{OE} LOW)^[17, 18]

Write Cycle No. 4 ($\overline{BHE}/\overline{BLE}$ -controlled, \overline{OE} LOW)^[17, 18]


Truth Table

CE	WE	OE	BHE	BLE	Inputs/Outputs	Mode	Power
H	X	X	X	X	High Z	Deselect/Power-Down	Standby (I_{SB})
L	X	X	H	H	High Z	Output Disabled	Active (I_{CC})
L	H	L	L	L	Data Out (I/O ₀ –I/O ₁₅)	Read	Active (I_{CC})
L	H	L	H	L	Data Out (I/O ₀ –I/O ₇); I/O ₈ –I/O ₁₅ in High Z	Read	Active (I_{CC})
L	H	L	L	H	Data Out (I/O ₈ –I/O ₁₅); I/O ₀ –I/O ₇ in High Z	Read	Active (I_{CC})
L	H	H	L	L	High Z	Output Disabled	Active (I_{CC})
L	H	H	H	L	High Z	Output Disabled	Active (I_{CC})
L	H	H	L	H	High Z	Output Disabled	Active (I_{CC})
L	L	X	L	L	Data In (I/O ₀ –I/O ₁₅)	Write	Active (I_{CC})
L	L	X	H	L	Data In (I/O ₀ –I/O ₇); I/O ₈ –I/O ₁₅ in High Z	Write	Active (I_{CC})
L	L	X	L	H	Data In (I/O ₈ –I/O ₁₅); I/O ₀ –I/O ₇ in High Z	Write	Active (I_{CC})

Ordering Information

Speed (ns)	Ordering Code	Package Name	Package Type	Operating Range
45	CY62126DV30LL-45BVI	BV48A	48-ball Fine Pitch BGA (6 mm x 8 mm x 1 mm)	Industrial
	CY62126DV30LL-45BVXI		48-ball Fine Pitch BGA (6 mm x 8 mm x 1 mm) (Pb-free)	
	CY62126DV30LL-45ZSXI	ZS44	44-Lead TSOP Type II (Pb-free)	
55	CY62126DV30L-55BVI	BV48A	48-ball Fine Pitch BGA (6 mm x 8 mm x 1 mm)	Industrial
	CY62126DV30LL-55BVI	BV48A	48-ball Fine Pitch BGA (6 mm x 8 mm x 1 mm)	
	CY62126DV30L-55ZSI	ZS44	44-Lead TSOP Type II	
	CY62126DV30LL-55ZSI	ZS44	44-Lead TSOP Type II	
	CY62126DV30LL-55ZSXI		44-Lead TSOP Type II (Pb-Free)	
70	CY62126DV30L-70BVI	BV48A	48-ball Fine Pitch BGA (6 mm x 8 mm x 1 mm)	Industrial
	CY62126DV30LL-70BVI	BV48A	48-ball Fine Pitch BGA (6 mm x 8 mm x 1 mm)	
	CY62126DV30L-70ZSI	ZS44	44-Lead TSOP Type II	
	CY62126DV30LL-70ZSI	ZS44	44-Lead TSOP Type II	
	CY62126DV30LL-70ZSXI		44-Lead TSOP Type II (Pb-Free)	

Package Diagrams
48-Lead VFBGA (6 x 8 x 1 mm) BV48A

44-pin TSOP II ZS44


MoBL is a registered trademark, and MoBL2 and More Battery Life are trademarks of Cypress Semiconductor. All product and company names mentioned in this document are the trademarks of their respective holders.

Document History Page

Document Title: CY62126DV30 MoBL [®] 1- Mbit (64K x 16) Static RAM				
Document Number: 38-05230				
REV.	ECN NO.	Issue Date	Orig. of Change	Description of Change
**	117689	08/27/02	JUI	New Data Sheet
*A	127313	06/13/03	MPR	Changed From Advanced Status to Preliminary. Changed I _{SB2} to 5 μ A (L), 4 μ A (LL) Changed I _{CCDR} to 4 μ A (L), 3 μ A (LL) Changed C _{IN} from 6 pF to 8 pF
*B	128340	07/22/03	JUI	Changed from Preliminary to Final Add 70-ns speed, updated ordering information
*C	129002	08/29/03	CDY	Changed I _{CC} 1 MHz typ from 0.5 mA to 0.85 mA
*D	238050	See ECN	AJU	Fixed typo: Changed t _{DBE} from 70 ns to 35 ns
*E	316039	See ECN	PCI	Added 45-ns Speed Bin in AC, DC and Ordering Information tables Added Footnote #8 on page #4 Added Pb-Free package ordering information on page # 9 Changed 44-pin TSOP-II package name from Z44 to ZS44