

**+3V to +5.5V, 1Microamp, 250kbps,
EIA/TIA-562, EIA/TIA-232
Transmitters/Receivers**

The Intersil ISL8563 contains 3.0V to 5.5V powered transmitters/receivers which meet EIA/TIA-562 and EIA/TIA-232 specifications, even at $V_{CC} = 3.0V$. Targeted applications are PDAs, Palmtops, and notebook and laptop computers where the low operational, and even lower standby, power consumption is critical. Efficient on-chip charge pumps, coupled with a manual powerdown function, reduce the standby supply current to a $1\mu A$ trickle. Small footprint packaging, and the use of small, low value capacitors ensure board space savings as well. Data rates greater than 250kbps are guaranteed at worst case load conditions. The ISL8563 is fully compatible with 3.3V only systems, mixed 3.3V and 5.0V systems, and 5.0V only systems.

This product features an improved charge pump which delivers $\pm 5V$ transmitter supplies, allowing the use of the ISL8563 in RS-562 and RS-232 applications. RS-562 applications will benefit from the improved noise immunity afforded by the $\pm 5V$ output swing capability.

Table 1 summarizes the features of the device represented by this data sheet, while Application Note AN9863 summarizes the features of each device comprising the 3V RS-232 family.

For a drop-in compatible part with $\pm 15kV$ ESD protection, please see the ISL8563E data sheet.

Ordering Information

| PART NO. | TEMP. RANGE (°C) | PACKAGE | PKG. NO. |
|-------------|------------------|---------------|----------|
| ISL8563CB | 0 to 70 | 18 Ld SOIC | M18.3 |
| ISL8563CB-T | 0 to 70 | Tape and Reel | M18.3 |
| ISL8563CP | 0 to 70 | 18 Ld PDIP | E18.3 |
| ISL8563IB | -40 to 85 | 18 Ld SOIC | M18.3 |
| ISL8563IB-T | -40 to 85 | Tape and Reel | M18.3 |

Features

- Drop in Replacement for MAX563, with Improved Output Voltage ($\pm 5V$) for Enhanced Noise Immunity
- Available as $\pm 15kV$ ESD Protected Version (ISL8563E)
- Meets EIA/TIA-562, and EIA/TIA-232 Specifications at 3V
- Latch-Up Free
- On-Chip Voltage Converters Require Only Four External $0.1\mu F$ Capacitors
- Receivers Active in Powerdown
- Receiver Hysteresis For Improved Noise Immunity
- Guaranteed Minimum Data Rate 250kbps
- Guaranteed Minimum Slew Rate $4V/\mu s$
- Wide Power Supply Range. Single +3V to +5.5V
- Low Supply Current in Powerdown State. $1\mu A$

Applications

- Any System Requiring RS-562/RS-232 Communication Ports
 - Battery Powered, Hand-Held, and Portable Equipment
 - Laptop Computers, Notebooks, Palmtops
 - Digital Cameras
 - Bar Code Readers

Related Literature

- Technical Brief TB363 "Guidelines for Handling and Processing Moisture Sensitive Surface Mount Devices (SMDs)"
- Application Note AN9863, "3V to +5.5V, 250K-1Mbps, RS-232 Transmitters/Receivers"

Pinout

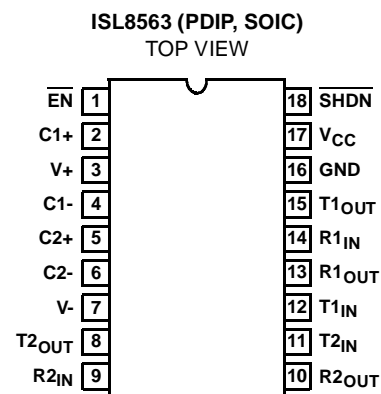


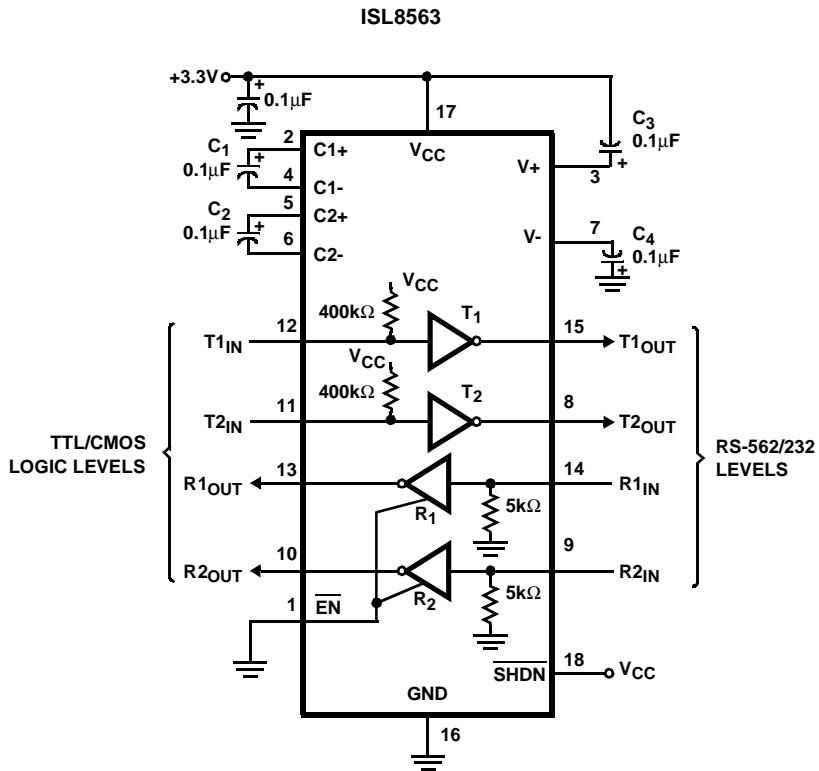
TABLE 1. SUMMARY OF FEATURES

| PART NUMBER | NO. OF Tx. | NO. OF Rx. | NO. OF MONITOR Rx. (R _{OUTB}) | DATA RATE (kbps) | Rx. ENABLE FUNCTION? | READY OUTPUT? | MANUAL POWER-DOWN? | AUTOMATIC POWERDOWN FUNCTION? |
|-------------|------------|------------|---|------------------|----------------------|---------------|--------------------|-------------------------------|
| ISL8563 | 2 | 2 | 0 | 250 | YES | NO | YES | NO |

Pin Descriptions

| PIN | FUNCTION |
|--------------------------|--|
| V _{CC} | System Power Supply Input (3.0V to 5.5V). |
| V+ | Internally Generated Positive Transmitter Supply (+5.5V). |
| V- | Internally Generated Negative Transmitter Supply (-5.5V). |
| GND | Ground Connection. |
| C1+ | External Capacitor (Voltage Doubler) is connected to this lead. |
| C1- | External Capacitor (Voltage Doubler) is connected to this lead. |
| C2+ | External Capacitor (Voltage Inverter) is connected to this lead. |
| C2- | External Capacitor (Voltage Inverter) is connected to this lead. |
| T _{IN} | TTL/CMOS Compatible Transmitter Inputs with pull-up resistors. |
| T _{OUT} | RS-562/RS-232 level (nominally ±5.5V) transmitter outputs. |
| R _{IN} | RS-562/RS-232 compatible receiver inputs. |
| R _{OUT} | TTL/CMOS Level Receiver Outputs. |
| $\overline{\text{EN}}$ | Active Low Receiver Enable Control. |
| $\overline{\text{SHDN}}$ | Active Low Input which shuts down transmitters and on-board power supply, to place device in low power mode. |

Typical Operating Circuit



Absolute Maximum Ratings

| | |
|-------------------------------|--------------------------------|
| V _{CC} to Ground | -0.3V to 6V |
| V+ to Ground | -0.3V to 7V |
| V- to Ground | +0.3V to -7V |
| V+ to V- | 14V |
| Input Voltages | |
| T _{IN} , EN, SHDN | -0.3V to 6V |
| R _{IN} | ±25V |
| Output Voltages | |
| T _{OUT} | ±13.2V |
| R _{OUT} | -0.3V to V _{CC} +0.3V |
| Short Circuit Duration | |
| T _{OUT} | Continuous |
| ESD Rating | See Specification Table |

Thermal Information

| | |
|--|------------------------|
| Thermal Resistance (Typical, Note 1) | θ _{JA} (°C/W) |
| 18 Ld PDIP Package | 80 |
| 18 Ld SOIC Package | 75 |
| Moisture Sensitivity (see Technical Brief TB363) | |
| All Packages | Level 1 |
| Maximum Junction Temperature (Plastic Package) | 150°C |
| Maximum Storage Temperature | -65°C to 150°C |
| Maximum Lead Temperature (Soldering 10s) | 300°C |
| (SOIC - Lead Tips Only) | |

Operating Conditions

| | |
|--------------------------|---------------|
| Temperature Range | |
| ISL8563CX | 0°C to 70°C |
| ISL8563IX | -40°C to 85°C |

CAUTION: Stresses above those listed in "Absolute Maximum Ratings" may cause permanent damage to the device. This is a stress only rating and operation of the device at these or any other conditions above those indicated in the operational sections of this specification is not implied.

NOTE:

1. θ_{JA} is measured with the component mounted on a low effective thermal conductivity test board in free air. See Tech Brief TB379 for details.

Electrical Specifications Test Conditions: V_{CC} = 3V to 5.5V, C₁ - C₄ = 0.1µF; Unless Otherwise Specified. Typical values are at T_A = 25°C

| PARAMETER | TEST CONDITIONS | TEMP (°C) | MIN | TYP | MAX | UNITS | |
|-----------------------------------|---|--|----------------------|----------------------|------|-------|----|
| RS-562/RS-232 TRANSMITTERS | | | | | | | |
| Output Voltage Swing | All Transmitter Outputs Loaded with 3kΩ to Ground | Full | ±5.0 | ±5.4 | - | V | |
| Maximum Data Rate | R _L = 3kΩ, C _L = 1000pF, One Transmitter Switching and Maintaining ±5V Output Swing | Full | 250 | 500 | - | kbps | |
| Input Logic Threshold Low | T _{IN} | Full | - | - | 0.8 | V | |
| Input Logic Threshold High | T _{IN} V _{CC} = 3.0V to 5.0V | Full | 2.4 | - | - | V | |
| Transmitter Pull-Up Input Current | T _{IN} SHDN = V _{CC} | Full | - | 2 | 20 | µA | |
| | T _{IN} SHDN = GND | Full | - | ±0.01 | ±1.0 | µA | |
| Output Leakage Current | V _{OUT} = ±12V, V _{CC} = 0V or 3.6V to 5.5V, SHDN = GND | Full | - | - | ±10 | µA | |
| Output Resistance | V _{CC} = V+ = V- = 0V, Transmitter Output = ±2V | Full | 300 | 10M | - | Ω | |
| Output Short-Circuit Current | V _{OUT} = 0V | Full | - | ±35 | ±60 | mA | |
| RS-562/RS-232 RECEIVERS | | | | | | | |
| Input Voltage Range | | Full | -25 | - | 25 | V | |
| Input Threshold Low | V _{CC} = 3.3V | Full | - | 1.2 | 0.6 | V | |
| | V _{CC} = 5.0V | Full | - | 1.5 | 0.8 | V | |
| Input Threshold High | V _{CC} = 3.3V | Full | 2.4 | 1.5 | - | V | |
| | V _{CC} = 5.0V | Full | 2.4 | 1.8 | - | V | |
| Input Hysteresis | V _{CC} = 3.0V to 3.6V | Full | 0.1 | 0.5 | 1.0 | V | |
| Input Resistance | | Full | 3 | 5 | 7 | kΩ | |
| Output Voltage Low | I _{OUT} = 3.2mA | Full | - | - | 0.4 | V | |
| Output Voltage High | I _{OUT} = -1.0mA | Full | V _{CC} -0.6 | V _{CC} -0.1 | - | V | |
| Output Leakage Current | EN = V _{CC} | Full | - | ±0.05 | ±10 | µA | |
| EN Input Logic Threshold Low | | Full | - | - | 0.8 | V | |
| EN Input Logic Threshold High | V _{CC} = 3.0V to 5.0V | Full | 2.4 | - | - | V | |
| POWER SUPPLY | | | | | | | |
| Operating Supply Voltage | | Full | 3.0 | - | 5.5 | V | |
| Supply Current | SHDN = V _{CC} | All Outputs Unloaded | Full | - | 0.5 | 6.0 | mA |
| | | All Outputs loaded, R _L = 3kΩ | 25 | - | 14 | - | mA |
| Supply Current, Powerdown | SHDN = GND | | 25 | - | 1 | 10 | µA |
| | | | Full | - | 1 | 25 | µA |
| SHDN Input Leakage Current | | Full | - | ±0.01 | ±1.0 | µA | |

Electrical Specifications Test Conditions: $V_{CC} = 3V$ to $5.5V$, $C_1 - C_4 = 0.1\mu F$; Unless Otherwise Specified.
Typicals are at $T_A = 25^\circ C$ (Continued)

| PARAMETER | TEST CONDITIONS | TEMP (°C) | MIN | TYP | MAX | UNITS | | | |
|--------------------------------------|--|--------------------|------|----------|------|------------|---------|-----|---------|
| SHDN Input Logic Threshold Low | | Full | - | - | 0.8 | V | | | |
| SHDN Input Logic Threshold High | $V_{CC} = 3.0V$ to $5.0V$ | Full | 2.4 | - | - | V | | | |
| AC CHARACTERISTICS | | | | | | | | | |
| Transition Region Slew Rate | $V_{CC} = 3.3V$, $R_L = 3k\Omega$ to $7k\Omega$, Measured From $3V$ to $-3V$ or $-3V$ to $3V$, $C_L = 50pF$ to $2500pF$ | 25 | 4 | - | 30 | V/ μs | | | |
| Transmitter Propagation Delay | Transmitter Input to Transmitter Output, $C_L = 1000pF$, $R_L = 3k\Omega$ | t_{PHL} (Note 2) | Full | - | 1 | 3.5 | μs | | |
| | | t_{PLH} (Note 2) | Full | - | 1 | 3.5 | μs | | |
| Receiver Propagation Delay | Receiver Input to Receiver Output, $C_L = 150pF$ | t_{PHL} (Note 3) | Full | - | 0.3 | 1.0 | μs | | |
| | | t_{PLH} (Note 3) | Full | - | 0.3 | 1.0 | μs | | |
| Receiver Output Enable Time | Figure 1 | | | t_{ER} | Full | - | 125 | 500 | ns |
| Receiver Output Disable Time | Figure 1 | | | t_{DR} | Full | - | 160 | 500 | ns |
| Transmitter Output Enable Time | Figure 2 | | | t_{ET} | 25 | - | 17 | - | μs |
| Transmitter Output Disable Time | Figure 2 | | | t_{DT} | 25 | - | 600 | - | ns |
| Transmitter Skew | $t_{PHL} - t_{PLH}$ (Note 2) | 25 | - | 100 | - | - | ns | | |
| Receiver Skew | $t_{PHL} - t_{PLH}$ (Note 3) | 25 | - | 100 | - | - | ns | | |
| ESD PERFORMANCE | | | | | | | | | |
| RS-562 Pins (T_{OUT} , R_{IN}) | Human Body Model | 25 | - | ± 15 | - | kV | | | |
| | IEC1000-4-2 Contact Discharge | 25 | - | ± 8 | - | kV | | | |
| | IEC1000-4-2 Air Gap Discharge | 25 | - | ± 8 | - | kV | | | |
| All Other Pins | Human Body Model | 25 | - | ± 3 | - | kV | | | |

NOTES:

2. Transmitter is measured at the transmitter zero crossing points.
3. Receiver is measured at the receiver 50 percent crossing points.

Test Waveforms

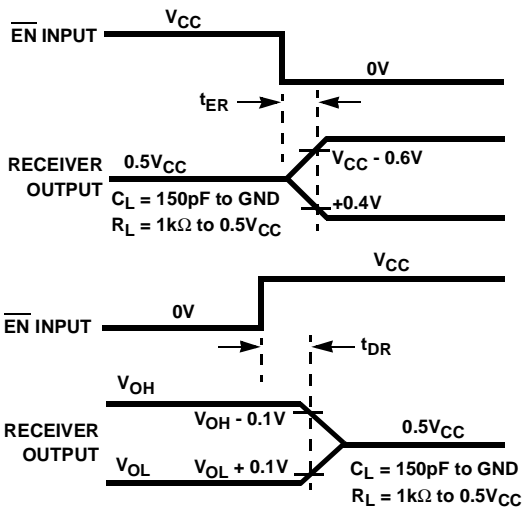


FIGURE 1. RECEIVER OUTPUT ENABLE AND DISABLE TIMING

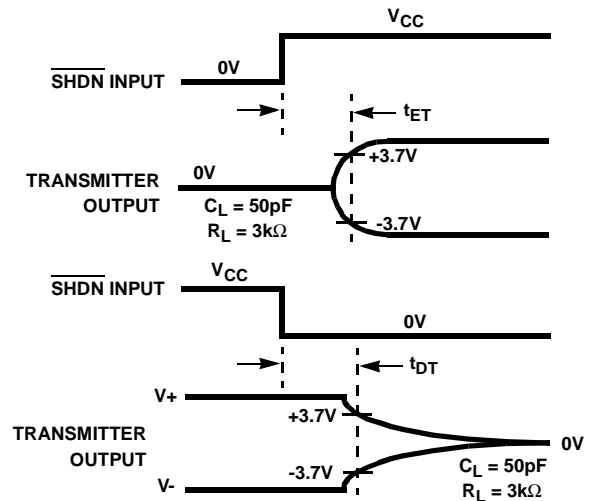


FIGURE 2. TRANSMITTER OUTPUT ENABLE AND DISABLE TIMING

Detailed Description

The ISL8563 operates from a single +3V to +5.5V supply, guarantees a 250kbps minimum data rate, requires only four small external 0.1 μ F capacitors, features low power consumption, and meets all EIA/TIA-562 and EIA/TIA-232 specifications. The circuit is divided into three sections: The charge pump, the transmitters, and the receivers.

Charge-Pump

Intersil's new ISL8563 utilizes regulated on-chip dual charge pumps as voltage doublers, and voltage inverters to generate $\pm 5.5V$ transmitter supplies from a V_{CC} supply as low as 3.0V. This allows these devices to maintain RS-232 compliant output levels over the $\pm 10\%$ tolerance range of 3.3V powered systems. The efficient on-chip power supplies require only four small, external 0.1 μ F capacitors for the voltage doubler and inverter functions over the full V_{CC} range. The charge pumps operate discontinuously (i.e., they turn off as soon as the V+ and V- supplies are pumped up to the nominal values), resulting in significant power savings.

Transmitters

The transmitters are proprietary, low dropout, inverting drivers that translate TTL/CMOS inputs to EIA/TIA-562/232 output levels. Coupled with the on-chip $\pm 5.5V$ supplies, these transmitters deliver true RS-562/232 levels over a wide range of single supply system voltages.

All transmitter outputs disable and assume a high impedance state when the device enters the powerdown mode (see Table 2). These outputs may be driven to $\pm 12V$ when disabled.

All devices guarantee a 250kbps data rate ($V_{OUT} = \pm 5V$) for full load conditions (3k Ω and 1000pF), $V_{CC} \geq 3.0V$, with one transmitter operating at full speed. Under more typical conditions of $V_{CC} \geq 3.3V$, $R_L = 3k\Omega$, and $C_L = 250pF$, one transmitter easily operates at 900kbps.

Unused transmitter inputs may be left unconnected because they will be pulled to V_{CC} by the on-chip pull-up resistors. Forcing the ISL8563 into power down disables the pull-up resistors to further minimize power.

Receivers

The ISL8563 contains standard inverting receivers that three-state via the \overline{EN} control line. All the receivers convert RS-562/232 signals to CMOS output levels and accept inputs up to $\pm 25V$ while presenting the required 3k Ω to 7k Ω input impedance (see Figure 3) even if the power is off

($V_{CC} = 0V$). The receivers' Schmitt trigger input stage uses hysteresis (even in powerdown) to increase noise immunity and decrease errors due to slow input signal transitions.

The ISL8563 inverting receivers disable only when \overline{EN} is driven high. Standard receivers driving powered down peripherals must be disabled to prevent current flow through the peripheral's protection diodes (see Figures 4 and 5).

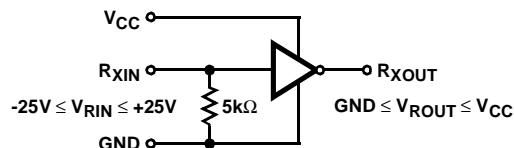


FIGURE 3. INVERTING RECEIVER CONNECTIONS

Powerdown Functionality

This 3V device requires a nominal supply current of 0.3mA during normal operation (not in powerdown mode). This is considerably less than the 5mA to 11mA current required by 5V devices. The already low current requirement drops significantly when the device enters powerdown mode. In powerdown, supply current drops to 1 μ A, because the on-chip charge pump turns off ($V+$ collapses to V_{CC} , $V-$ collapses to GND), the transmitter outputs three-state, and the transmitter input pull-ups disable. This micro-power mode makes the ISL8563 ideal for battery powered and portable applications.

Software Controlled (Manual) Powerdown

The ISL8563, is forced into its low power, stand by state via a simple shutdown (SHDN) pin. Driving this pin high enables normal operation, while driving it low forces the IC into its powerdown state. Connect SHDN to V_{CC} if the powerdown function isn't needed. Note that all the receiver outputs remain enabled during shutdown (see Table 2). For the lowest power consumption during powerdown, the receivers should also be disabled by driving the \overline{EN} input high (see next section, and Figures 4 and 5). The time required to exit powerdown, and resume transmission is less than 30 μ s.

Receiver ENABLE Control

The device also features an \overline{EN} input to control the receiver outputs. Driving \overline{EN} high disables all the receiver outputs placing them in a high impedance state. This is useful to eliminate supply current, due to a receiver output forward biasing the protection diode, when driving the input of a powered down ($V_{CC} = GND$) peripheral (see Figure 4). The enable input has no effect on transmitters.

TABLE 2. POWERDOWN AND ENABLE LOGIC TRUTH TABLE

| SHDN INPUT | \overline{EN} INPUT | TRANSMITTER OUTPUTS | RECEIVER OUTPUTS | MODE OF OPERATION |
|------------|-----------------------|---------------------|------------------|-----------------------------------|
| L | L | High-Z | Active | Manual Powerdown |
| L | H | High-Z | High-Z | Manual Powerdown w/Rcvr. Disabled |
| H | L | Active | Active | Normal Operation |
| H | H | Active | High-Z | Normal Operation w/Rcvr. Disabled |

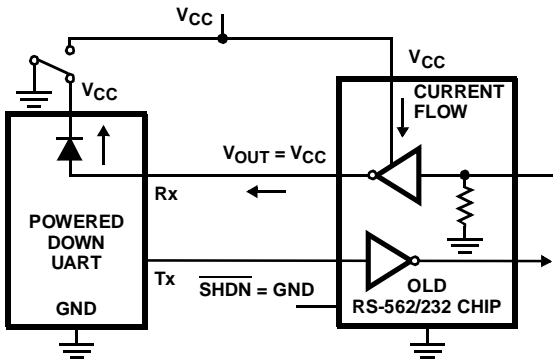


FIGURE 4. POWER DRAIN THROUGH POWERED DOWN PERIPHERAL

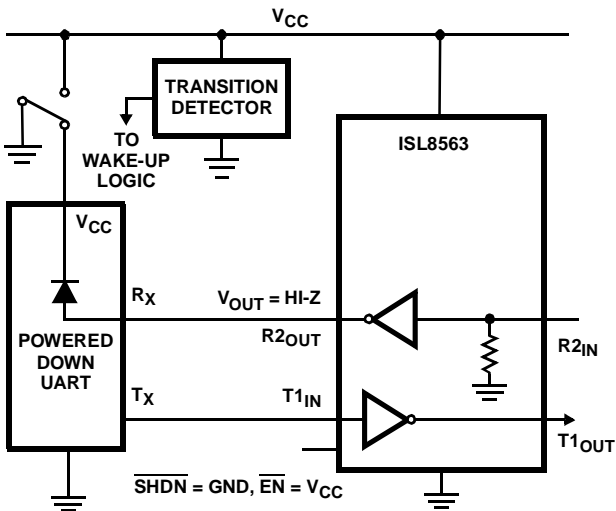


FIGURE 5. DISABLED RECEIVERS PREVENT POWER DRAIN

Capacitor Selection

The charge pumps operate with 0.1µF (or greater) capacitors for $3.0V \leq V_{CC} \leq 5.5V$. Increasing the capacitor values (by a factor of 2) reduces ripple on the transmitter outputs and slightly reduces power consumption. C_2 , C_3 , and C_4 can be increased without increasing C_1 's value, however, do not increase C_1 without also increasing C_2 , C_3 , and C_4 to maintain the proper ratios (C_1 to the other capacitors).

When using minimum required capacitor values, make sure that capacitor values do not degrade excessively with temperature. If in doubt, use capacitors with a larger nominal value. The capacitor's equivalent series resistance (ESR) usually rises at low temperatures and it influences the amount of ripple on $V+$ and $V-$.

Power Supply Decoupling

In most circumstances a 0.1µF bypass capacitor is adequate. In applications that are particularly sensitive to power supply noise, decouple V_{CC} to ground with a capacitor of the same value as the charge-pump capacitor C_1 . Connect the bypass capacitor as close as possible to the IC.

Transmitter Outputs When Exiting Powerdown

Figure 6 shows the response of two transmitter outputs when exiting powerdown mode. As they activate, the two transmitter outputs properly go to opposite RS-562/232 levels, with no glitching, ringing, nor undesirable transients. Each transmitter is loaded with 3kΩ in parallel with 2500pF. Note that the transmitters enable only when the magnitude of the supplies exceed approximately 3V.

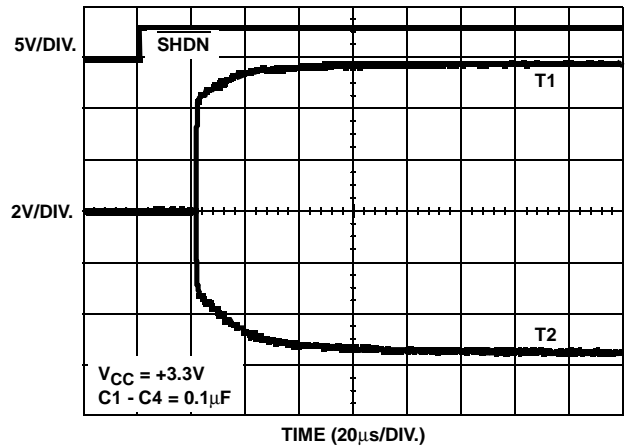


FIGURE 6. TRANSMITTER OUTPUTS WHEN EXITING POWERDOWN

High Data Rates

The ISL8563 maintains the RS-232 ±5V minimum transmitter output voltages even at high data rates. Figure 7 details a transmitter loopback test circuit, and Figure 8 illustrates the loopback test result at 120kbps. For this test, all transmitters were simultaneously driving RS-232 loads in parallel with 1000pF, at 120kbps. Figure 9 shows the loopback results for a single transmitter driving 1000pF and an RS-232 load at 250kbps. The static transmitters were also loaded with an RS-232 receiver.

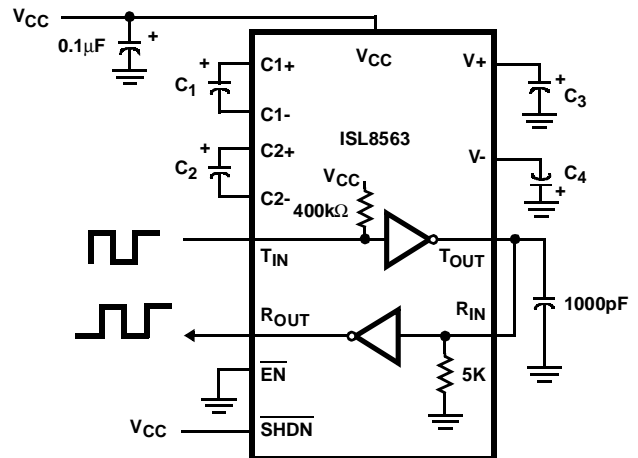


FIGURE 7. TRANSMITTER LOOPBACK TEST CIRCUIT

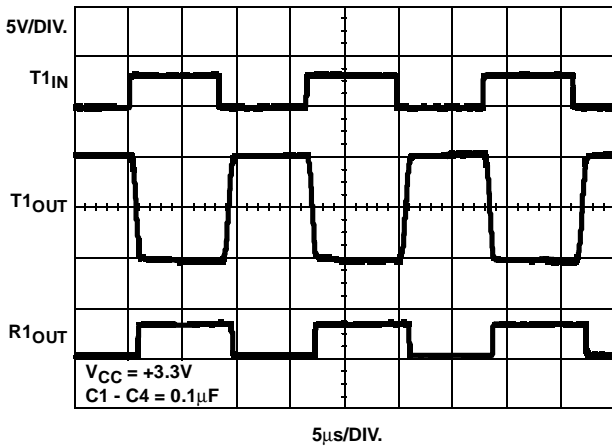


FIGURE 8. LOOPBACK TEST AT 120kbps

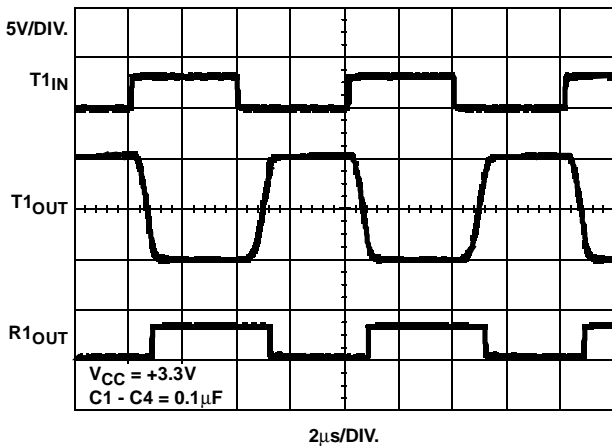


FIGURE 9. LOOPBACK TEST AT 250kbps

Interconnection with 3V and 5V Logic

The ISL8563 directly interface with most 5V logic families, including ACT and HCT CMOS. See Table 3 for more information on possible combinations of interconnections.

TABLE 3. LOGIC FAMILY COMPATIBILITY WITH VARIOUS SUPPLY VOLTAGES

| SYSTEM POWER-SUPPLY VOLTAGE (V) | V _{CC} SUPPLY VOLTAGE (V) | COMPATIBILITY |
|---------------------------------|------------------------------------|---|
| 3.3 | 3.3 | Compatible with all CMOS families. |
| 5 | 5 | Compatible with all TTL and CMOS logic families. |
| 5 | 3.3 | Compatible with ACT and HCT CMOS, and with TTL. Incompatible with AC, HC, or CD4000 CMOS. |

Typical Performance Curves V_{CC} = 3.3V, T_A = 25°C

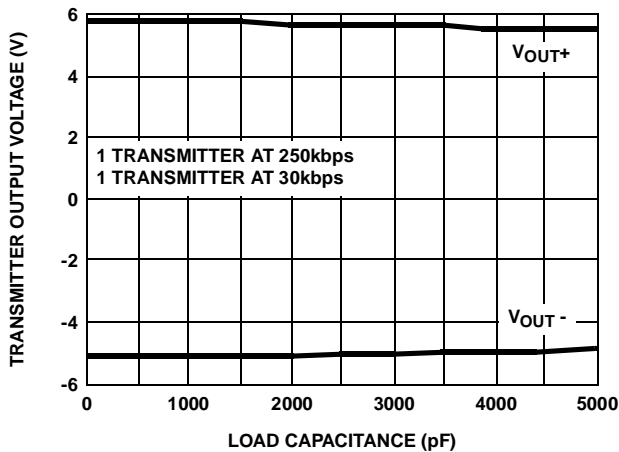


FIGURE 10. TRANSMITTER OUTPUT VOLTAGE vs LOAD CAPACITANCE

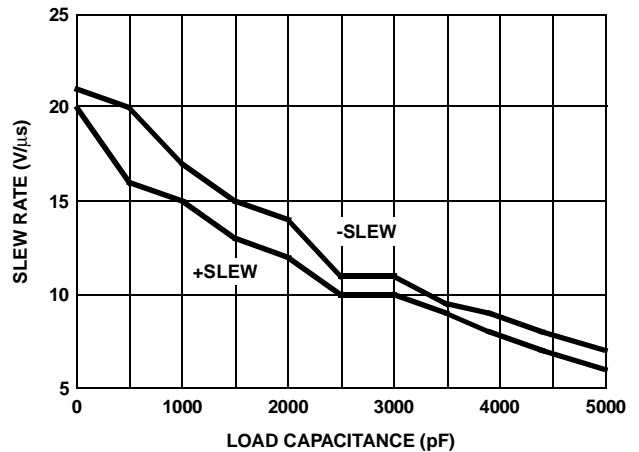


FIGURE 11. SLEW RATE vs LOAD CAPACITANCE

Typical Performance Curves $V_{CC} = 3.3V, T_A = 25^{\circ}C$ (Continued)

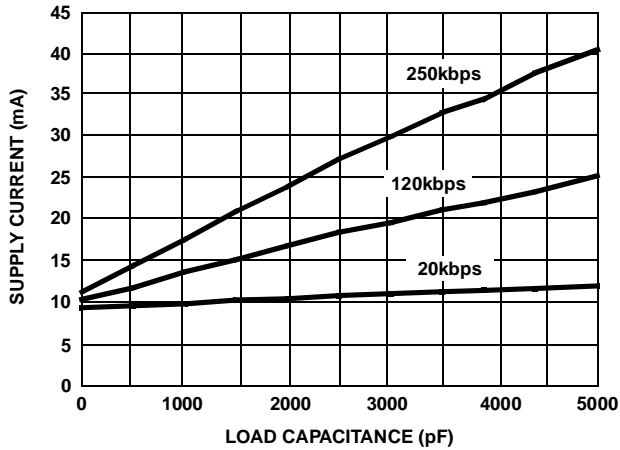


FIGURE 12. SUPPLY CURRENT vs LOAD CAPACITANCE WHEN TRANSMITTING DATA

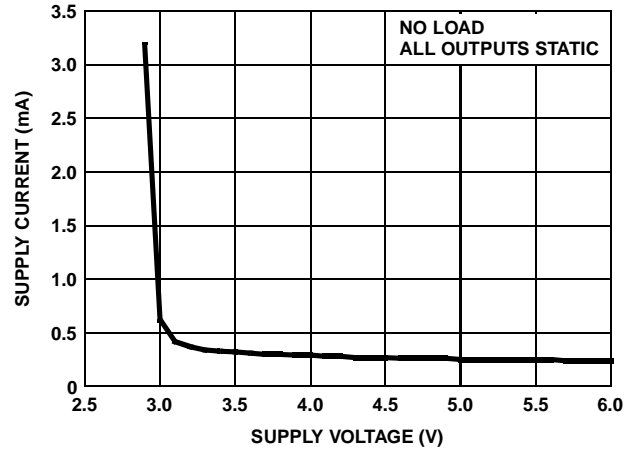


FIGURE 13. SUPPLY CURRENT vs SUPPLY VOLTAGE

Die Characteristics

DIE DIMENSIONS:

100 mils x 100 mils (2540 μ m x 2540 μ m)

METALLIZATION:

Type: Metal 1: AlSi(1%)
 Thickness: Metal 1: 8k \AA
 Type: Metal 2: AlSi (1%)
 Thickness: Metal 2: 10k \AA

SUBSTRATE POTENTIAL (POWERED UP):

Floating

PASSIVATION:

Type: Silox
 Thickness: 13k \AA

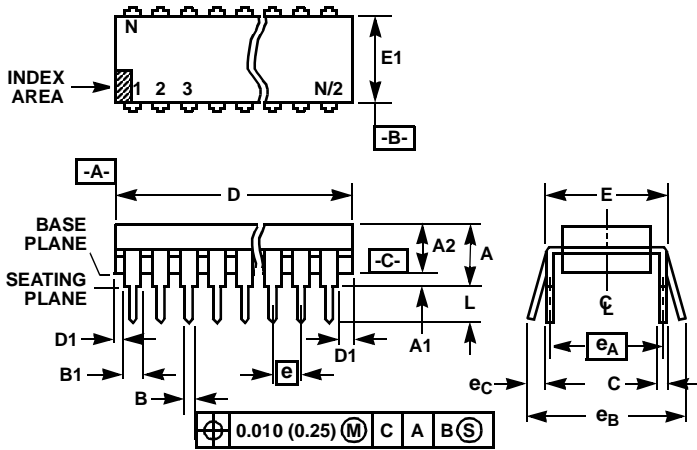
TRANSISTOR COUNT:

338

PROCESS:

Si Gate CMOS

Dual-In-Line Plastic Packages (PDIP)



NOTES:

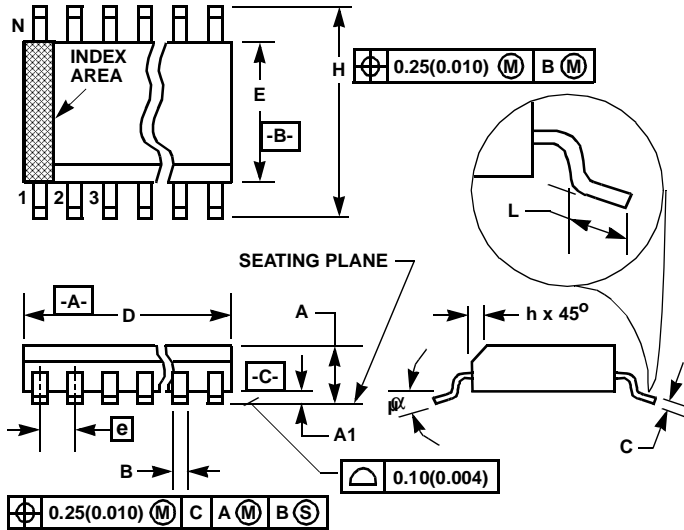
- Controlling Dimensions: INCH. In case of conflict between English and Metric dimensions, the inch dimensions control.
- Dimensioning and tolerancing per ANSI Y14.5M-1982.
- Symbols are defined in the "MO Series Symbol List" in Section 2.2 of Publication No. 95.
- Dimensions A, A1 and L are measured with the package seated in JEDEC seating plane gauge GS-3.
- D, D1, and E1 dimensions do not include mold flash or protrusions. Mold flash or protrusions shall not exceed 0.010 inch (0.25mm).
- E and e_A are measured with the leads constrained to be perpendicular to datum [-C-].
- e_B and e_C are measured at the lead tips with the leads unconstrained. e_C must be zero or greater.
- B1 maximum dimensions do not include dambar protrusions. Dambar protrusions shall not exceed 0.010 inch (0.25mm).
- N is the maximum number of terminal positions.
- Corner leads (1, N, N/2 and N/2 + 1) for E8.3, E16.3, E18.3, E28.3, E42.6 will have a B1 dimension of 0.030 - 0.045 inch (0.76 - 1.14mm).

E18.3 (JEDEC MS-001-BC ISSUE D)
18 LEAD DUAL-IN-LINE PLASTIC PACKAGE

| SYMBOL | INCHES | | MILLIMETERS | | NOTES |
|--------|-----------|-------|-------------|-------|-------|
| | MIN | MAX | MIN | MAX | |
| A | - | 0.210 | - | 5.33 | 4 |
| A1 | 0.015 | - | 0.39 | - | 4 |
| A2 | 0.115 | 0.195 | 2.93 | 4.95 | - |
| B | 0.014 | 0.022 | 0.356 | 0.558 | - |
| B1 | 0.045 | 0.070 | 1.15 | 1.77 | 8, 10 |
| C | 0.008 | 0.014 | 0.204 | 0.355 | - |
| D | 0.845 | 0.880 | 21.47 | 22.35 | 5 |
| D1 | 0.005 | - | 0.13 | - | 5 |
| E | 0.300 | 0.325 | 7.62 | 8.25 | 6 |
| E1 | 0.240 | 0.280 | 6.10 | 7.11 | 5 |
| e | 0.100 BSC | | 2.54 BSC | | - |
| e_A | 0.300 BSC | | 7.62 BSC | | 6 |
| e_B | - | 0.430 | - | 10.92 | 7 |
| L | 0.115 | 0.150 | 2.93 | 3.81 | 4 |
| N | 18 | | 18 | | 9 |

Rev. 0 12/93

Small Outline Plastic Packages (SOIC)



NOTES:

1. Symbols are defined in the "MO Series Symbol List" in Section 2.2 of Publication Number 95.
2. Dimensioning and tolerancing per ANSI Y14.5M-1982.
3. Dimension "D" does not include mold flash, protrusions or gate burrs. Mold flash, protrusion and gate burrs shall not exceed 0.15mm (0.006 inch) per side.
4. Dimension "E" does not include interlead flash or protrusions. Interlead flash and protrusions shall not exceed 0.25mm (0.010 inch) per side.
5. The chamfer on the body is optional. If it is not present, a visual index feature must be located within the crosshatched area.
6. "L" is the length of terminal for soldering to a substrate.
7. "N" is the number of terminal positions.
8. Terminal numbers are shown for reference only.
9. The lead width "B", as measured 0.36mm (0.014 inch) or greater above the seating plane, shall not exceed a maximum value of 0.61mm (0.024 inch)
10. Controlling dimension: MILLIMETER. Converted inch dimensions are not necessarily exact.

M18.3 (JEDEC MS-013-AB ISSUE C)

18 LEAD WIDE BODY SMALL OUTLINE PLASTIC PACKAGE

| SYMBOL | INCHES | | MILLIMETERS | | NOTES |
|----------|-----------|--------|-------------|-------|-------|
| | MIN | MAX | MIN | MAX | |
| A | 0.0926 | 0.1043 | 2.35 | 2.65 | - |
| A1 | 0.0040 | 0.0118 | 0.10 | 0.30 | - |
| B | 0.013 | 0.0200 | 0.33 | 0.51 | 9 |
| C | 0.0091 | 0.0125 | 0.23 | 0.32 | - |
| D | 0.4469 | 0.4625 | 11.35 | 11.75 | 3 |
| E | 0.2914 | 0.2992 | 7.40 | 7.60 | 4 |
| e | 0.050 BSC | | 1.27 BSC | | - |
| H | 0.394 | 0.419 | 10.00 | 10.65 | - |
| h | 0.010 | 0.029 | 0.25 | 0.75 | 5 |
| L | 0.016 | 0.050 | 0.40 | 1.27 | 6 |
| N | 18 | | 18 | | 7 |
| α | 0° | 8° | 0° | 8° | - |

Rev. 0 12/93

All Intersil products are manufactured, assembled and tested utilizing ISO9000 quality systems.

Intersil Corporation's quality certifications can be viewed at website www.intersil.com/design/quality

Intersil products are sold by description only. Intersil Corporation reserves the right to make changes in circuit design and/or specifications at any time without notice. Accordingly, the reader is cautioned to verify that data sheets are current before placing orders. Information furnished by Intersil is believed to be accurate and reliable. However, no responsibility is assumed by Intersil or its subsidiaries for its use; nor for any infringements of patents or other rights of third parties which may result from its use. No license is granted by implication or otherwise under any patent or patent rights of Intersil or its subsidiaries.

For information regarding Intersil Corporation and its products, see web site www.intersil.com

Sales Office Headquarters

NORTH AMERICA

Intersil Corporation
2401 Palm Bay Rd., Mail Stop 53-204
Palm Bay, FL 32905
TEL: (321) 724-7000
FAX: (321) 724-7240

EUROPE

Intersil SA
Mercure Center
100, Rue de la Fusee
1130 Brussels, Belgium
TEL: (32) 2.724.2111
FAX: (32) 2.724.22.05

ASIA

Intersil Ltd.
8F-2, 96, Sec. 1, Chien-kuo North,
Taipei, Taiwan 104
Republic of China
TEL: 886-2-2515-8508
FAX: 886-2-2515-8369