

MPC5534 Microcontroller Data Sheet

by: Microcontroller Division

This document provides electrical specifications, pin assignments, and package diagrams for the MPC5534 microcontroller device. For functional characteristics, refer to the *MPC5534 Microcontroller Reference Manual*.

1 Overview

The MPC5534 microcontroller (MCU) is a member of the MPC5500 family of microcontrollers based on the PowerPC™ Book E architecture. This family of parts contains many new features coupled with high performance CMOS technology to provide substantial reduction of cost per feature and significant performance improvement over the MPC500 family.

The host processor core of this device is compatible with the PowerPC Book E architecture. It is 100% user mode compatible (with floating point library) with the classic PowerPC instruction set. The Book E architecture has enhancements that improve the PowerPC architecture's fit in embedded applications. This core also has additional instructions, including digital signal processing (DSP) instructions, beyond the classic

Contents

| | | |
|------|--|----|
| 1 | Overview | 1 |
| 2 | Ordering Information | 3 |
| 3 | Electrical Characteristics | 4 |
| 3.1 | Maximum Ratings | 4 |
| 3.2 | Thermal Characteristics | 5 |
| 3.3 | Package | 8 |
| 3.4 | EMI (Electromagnetic Interference) Characteristics | 8 |
| 3.5 | ESD Characteristics | 9 |
| 3.6 | VRC/POR Electrical Specifications | 9 |
| 3.7 | Power Up/Down Sequencing | 10 |
| 3.8 | DC Electrical Specifications | 12 |
| 3.9 | Oscillator & FMPLL Electrical Characteristics | 19 |
| 3.10 | eQADC Electrical Characteristics | 20 |
| 3.11 | H7Fb Flash Memory Electrical Characteristics | 22 |
| 3.12 | AC Specifications | 23 |
| 3.13 | AC Timing | 25 |
| 4 | Mechanicals | 45 |
| 4.1 | Pinouts | 45 |
| 4.2 | Package Dimensions | 46 |
| 5 | Revision History | 49 |

This document contains information on a new product. Specifications and information herein are subject to change without notice.

© Freescale Semiconductor, Inc., 2006. All rights reserved.



• Preliminary—Subject to Change Without Notice

Overview

PowerPC instruction set. This family of parts contains many new features coupled with high performance CMOS technology to provide significant performance improvement over the MPC565.

The host processor core of the MPC5534 also includes an instruction set enhancement allowing variable length encoding (VLE). This allows optional encoding of mixed 16- and 32-bit instructions. With this enhancement, it is possible to achieve significant code size footprint reduction.

The MPC5534 has a single level of memory hierarchy consisting of 64-Kbyte on-chip SRAM and 1 Mbyte of internal Flash memory. Both the SRAM and the Flash memory can hold instructions and data. The External Bus Interface has been designed to support most of the standard memories used with the MPC5xx family. The MPC5534 does not support arbitration between itself and other masters on the external bus. It must be either the only master on the external bus or act as a slave-only device.

The complex I/O timer functions of the MPC5534 are performed by an Enhanced Time Processor Unit engine (eTPU). The eTPU engine controls 32 hardware channels. The eTPU has been enhanced over the MPC500 family's TPU by providing 24-bit timers, double action hardware channels, variable number of parameters per channel, angle clock hardware, and additional control and arithmetic instructions. The eTPU can be programmed using a high-level programming language.

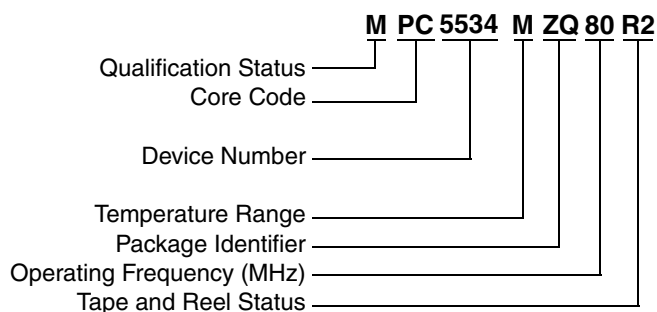
The less complex timer functions of MPC5534 are performed by the enhanced Modular Timer System (eMIOS). The eMIOS 24 hardware channels are capable of single action, double action, pulse width modulation (PWM) and modulus counter operation. Motor control capabilities include edge-aligned and center-aligned PWM.

Off-chip communication is performed by a suite of serial protocols including CANs, enhanced SPIs (Deserialize/Serialize Peripheral Interface) and SCIs. The DSPIs support pin reduction through hardware serialization and deserialization of timer channels and GPIO signals.

The MPC5534 MCU has an on-chip 40-channel Enhanced Queued Dual Analog-to-Digital Converter (eQADC), with 5V conversion range.

The System Integration Unit (SIU) performs several chip-wide configuration functions. Pad configuration and General-Purpose Input and Output (GPIO) are controlled from the SIU. External interrupts and reset control are also found in the SIU. The Internal Multiplexer sub-block (IMUX) provides multiplexing of eQADC trigger sources, daisy chaining the DSPIs and external interrupt signal multiplexing.

2 Ordering Information



Temperature Range

M = -40° C to 125° C
A = -55° C to 125° C

Package Identifier

VF = 208MAPBGA SnPb
VM = 208MAPBGA Pb-free
ZQ = 324PBGA SnPb
VZ = 324PBGA Pb-free

Operating Frequency

40 = 40MHz
66 = 66MHz
80 = 80MHz

Tape and Reel Status

R2 = Tape and Reel
(blank) = Trays

Qualification Status

P = Pre Qualification
M = Full Spec Qualified

Note: Not all options are available on all devices. Refer to [Table 1](#).

Figure 1. MPC5500 Family Part Number Example

Table 1. Orderable Part Numbers

| Freescle Part Number ¹ | Description | Speed (MHz) | Max Speed ² (MHz) (f _{MAX}) | Temperature |
|-----------------------------------|-------------------------------|-------------|--|------------------|
| MPC5534MVZ80 | MPC5534 Lead free 324 package | 80 | 80 | -40° C to 125° C |
| MPC5534MZQ80 | MPC5534 Lead 324 package | 80 | 80 | -40° C to 125° C |
| MPC5534MVM80 | MPC5534 Lead free 208 package | 80 | 80 | -40° C to 125° C |
| MPC5534MVF80 | MPC5534 Lead 208 package | 80 | 80 | -40° C to 125° C |
| MPC5534MVZ66 | MPC5534 Lead free 324 package | 66 | 66 | -40° C to 125° C |
| MPC5534MZQ66 | MPC5534 Lead 324 package | 66 | 66 | -40° C to 125° C |
| MPC5534MVM66 | MPC5534 Lead free 208 package | 66 | 66 | -40° C to 125° C |
| MPC5534MVF66 | MPC5534 Lead 208 package | 66 | 66 | -40° C to 125° C |
| MPC5534MVZ40 | MPC5534 Lead free 324 package | 40 | 40 | -40° C to 125° C |
| MPC5534MZQ40 | MPC5534 Lead 324 package | 40 | 40 | -40° C to 125° C |
| MPC5534MVM40 | MPC5534 Lead free 208 package | 40 | 40 | -40° C to 125° C |
| MPC5534MVF40 | MPC5534 Lead 208 package | 40 | 40 | -40° C to 125° C |

¹ All devices are PPC5534, rather than MPC5534, until the product qualifications. Not all configurations will be available in the PPC parts.

² Speed is the nominal maximum frequency. Max Speed is the maximum speed allowed including any frequency modulation.

3 Electrical Characteristics

This section contains detailed information on power considerations, DC/AC electrical characteristics, and AC timing specifications for the MCU.

3.1 Maximum Ratings

Table 2. Absolute Maximum Ratings¹

| Num | Characteristic | Symbol | Min | Max ² | Unit |
|-----|--|----------------------|---|--|------|
| 1 | 1.5V Core Supply Voltage ³ | V_{DD} | -0.3 | 1.7 | V |
| 2 | Flash Program/Erase Voltage | V_{PP} | -0.3 | 6.5 | V |
| 3 | Flash Core Voltage | V_{DDF} | -0.3 | 1.7 | V |
| 4 | Flash Read Voltage | V_{FLASH} | -0.3 | 4.6 | V |
| 5 | SRAM Standby Voltage | V_{STBY} | -0.3 | 1.7 | V |
| 6 | Clock Synthesizer Voltage | V_{DDSYN} | -0.3 | 4.6 | V |
| 7 | 3.3V I/O Buffer Voltage | V_{DD33} | -0.3 | 4.6 | V |
| 8 | Voltage Regulator Control Input Voltage | V_{RC33} | -0.3 | 4.6 | V |
| 9 | Analog Supply Voltage (reference to V_{SSA}) | V_{DDA} | -0.3 | 5.5 | V |
| 10 | I/O Supply Voltage (Fast I/O Pads) ⁴ | V_{DDE} | -0.3 | 4.6 | V |
| 11 | I/O Supply Voltage (Slow/Medium I/O Pads) ⁴ | V_{DDEH} | -0.3 | 6.5 | V |
| 12 | DC Input Voltage ⁵ V_{DDEH} powered I/O Pads, except eTPUB15 and SINB (DSPI_B_SIN) V_{DDEH} powered I/O Pads (eTPUB15 and SINB) V_{DDE} powered I/O Pads | V_{IN} | -1.0 ⁶ -0.3 ⁷ -1.0 ⁶ | 6.5 ⁸ 6.5 ⁸ 4.6 ⁹ | V |
| 13 | Analog Reference High Voltage (reference to VRL) | V_{RH} | -0.3 | 5.5 | V |
| 14 | VSS Differential Voltage | $V_{SS} - V_{SSA}$ | -0.1 | 0.1 | V |
| 15 | VDD Differential Voltage | $V_{DD} - V_{DDA}$ | $-V_{DDA}$ | V_{DD} | V |
| 16 | V_{REF} Differential Voltage | $V_{RH} - V_{RL}$ | -0.3 | 5.5 | V |
| 17 | V_{RH} to V_{DDA} Differential Voltage | $V_{RH} - V_{DDA}$ | -5.5 | 5.5 | V |
| 18 | V_{RL} to V_{SSA} Differential Voltage | $V_{RL} - V_{SSA}$ | -0.3 | 0.3 | V |
| 19 | V_{DDEH} to V_{DDA} Differential Voltage | $V_{DDEH} - V_{DDA}$ | $-V_{DDA}$ | V_{DDEH} | V |
| 20 | V_{DDF} to V_{DD} Differential Voltage | $V_{DDF} - V_{DD}$ | -0.3 | 0.3 | V |
| 21 | This spec has been moved to Table 9 , spec 43a. | | | | |
| 22 | V_{SSSYN} to V_{SS} Differential Voltage | $V_{SSSYN} - V_{SS}$ | -0.1 | 0.1 | V |
| 23 | V_{RCVSS} to V_{SS} Differential Voltage | $V_{RCVSS} - V_{SS}$ | -0.1 | 0.1 | V |
| 24 | Maximum DC Digital Input Current ¹⁰ (per pin, applies to all digital pins) ⁵ | I_{MAXD} | -2 | 2 | mA |
| 25 | Maximum DC Analog Input Current ¹¹ (per pin, applies to all analog pins) | I_{MAXA} | -3 | 3 | mA |
| 26 | Maximum Operating Temperature Range ¹² — Die Junction Temperature | T_J | -40.0 | 150.0 | °C |

Table 2. Absolute Maximum Ratings¹ (continued)

| Num | Characteristic | Symbol | Min | Max ² | Unit |
|-----|--|------------------|--------|------------------|------|
| 27 | Storage Temperature Range | T _{STG} | - 55.0 | 150.0 | °C |
| 28 | Maximum Solder Temperature ¹³ | T _{SDR} | — | 260.0 | °C |
| 29 | Moisture Sensitivity Level ¹⁴ | MSL | — | 3 | |

¹ Functional operating conditions are given in the DC electrical specifications. Absolute maximum ratings are stress ratings only, and functional operation at the maxima is not guaranteed. Stress beyond the listed maxima may affect device reliability or cause permanent damage to the device.

² Absolute maximum voltages are currently maximum burn-in voltages. Absolute maximum specifications for device stress have not yet been determined.

³ 1.5V +/- 10% for proper operation. This parameter is specified at a maximum junction temperature of 150C.

⁴ All functional non-supply I/O pins are clamped to VSS and VDDE or VDDEH.

⁵ AC signal over and undershoot of the input voltages of up to +/- 2.0 volts is permitted for a cumulative duration of 60 hours over the complete lifetime of the device (injection current does not need to be limited for this duration).

⁶ Internal structures will hold the voltage above -1.0 volt if the injection current limit of 2 mA is met.

⁷ Internal structures will not clamp to a safe voltage. External protection must be used to ensure that voltage on the pin stays above -0.3 volts.

⁸ Internal structures hold the input voltage below this maximum voltage on all pads powered by VDDEH supplies, if the maximum injection current specification is met (2 mA for all pins) and VDDEH is within Operating Voltage specifications.

⁹ Internal structures hold the input voltage below this maximum voltage on all pads powered by VDDE supplies, if the maximum injection current specification is met (2 mA for all pins) and VDDE is within Operating Voltage specifications.

¹⁰ Total injection current for all pins (including both digital and analog) must not exceed 25mA.

¹¹ Total injection current for all analog input pins must not exceed 15mA.

¹² Lifetime operation at these specification limits is not guaranteed.

¹³ Solder profile per CDF-AEC-Q100.

¹⁴ Moisture sensitivity per JEDEC test method A112.

3.2 Thermal Characteristics

Table 3. Thermal Characteristics

| Num | Characteristic | Symbol | Unit | Value | |
|-----|--|-------------------|------|------------|----------|
| | | | | 208 MAPBGA | 324 PBGA |
| 1 | Junction to Ambient ^{1, 2} Natural Convection (Single layer board) | R _{θJA} | °C/W | 42 | 34 |
| 2 | Junction to Ambient ^{1, 3} Natural Convection (Four layer board 2s2p) | R _{θJA} | °C/W | 26 | 23 |
| 3 | Junction to Ambient (@200 ft./min., Single layer board) | R _{θJMA} | °C/W | 34 | 28 |
| 4 | Junction to Ambient (@200 ft./min., Four layer board 2s2p) | R _{θJMA} | °C/W | 22 | 20 |
| 5 | Junction to Board ⁴ (Four layer board 2s2p) | R _{θJB} | °C/W | 15 | 15 |

Table 3. Thermal Characteristics (continued)

| Num | Characteristic | Symbol | Unit | Value | |
|-----|--|-----------------|------|------------|----------|
| | | | | 208 MAPBGA | 324 PBGA |
| 6 | Junction to Case ⁵ | $R_{\theta JC}$ | °C/W | 8 | 10 |
| 7 | Junction to Package Top ⁶ Natural Convection | Ψ_{JT} | °C/W | 2 | 2 |

¹ Junction temperature is a function of on-chip power dissipation, package thermal resistance, mounting site (board) temperature, ambient temperature, air flow, power dissipation of other components on the board, and board thermal resistance.

² Per SEMI G38-87 and JEDEC JESD51-2 with the single layer board horizontal.

³ Per JEDEC JESD51-6 with the board horizontal.

⁴ Thermal resistance between the die and the printed circuit board per JEDEC JESD51-8. Board temperature is measured on the top surface of the board near the package.

⁵ Indicates the average thermal resistance between the die and the case top surface as measured by the cold plate method (MIL SPEC-883 Method 1012.1) with the cold plate temperature used for the case temperature.

⁶ Thermal characterization parameter indicating the temperature difference between package top and the junction temperature per JEDEC JESD51-2.

3.2.1 General Notes for Specifications at Maximum Junction Temperature

An estimation of the chip junction temperature, T_J , can be obtained from the equation:

$$T_J = T_A + (R_{\theta JA} \times P_D)$$

where:

T_A = ambient temperature for the package (°C)

$R_{\theta JA}$ = junction to ambient thermal resistance (°C/W)

P_D = power dissipation in the package (W)

The supplied thermal resistances are provided based on JEDEC JESD51 series of standards to provide consistent values for estimations and comparisons. The difference between the values determined on the single-layer (1s) board and on the four-layer board with two signal layers and a power and a ground plane (2s2p) clearly demonstrate that the effective thermal resistance of the component is not a constant. It depends on the construction of the application board (number of planes), the effective size of the board which cools the component, how well the component is thermally and electrically connected to the planes, and the power being dissipated by adjacent components.

Connect all the ground and power balls to the respective planes with one via per ball. Using fewer vias to connect the package to the planes reduces the thermal performance. Thinner planes also reduce the thermal performance. When the clearance between through vias leave the planes virtually disconnected, the thermal performance is also greatly reduced.

As a general rule, the value obtained on a single layer board is appropriate for the tightly packed printed circuit board. The value obtained on the board with the internal planes is usually appropriate if the application board has one oz (35 micron nominal thickness) internal planes, the components are well separated, and the overall power dissipation on the board is less than 0.02 W/cm².

The thermal performance of any component depends strongly on the power dissipation of surrounding components. In addition, the ambient temperature varies widely within the application. For many natural convection and especially closed box applications, the board temperature at the perimeter (edge) of the package is approximately the same as the local air temperature near the device. Specifying the local ambient conditions explicitly as the board temperature provides a more precise description of the local ambient conditions that determine the temperature of the device.

At a known board temperature, the junction temperature is estimated using the following equation:

$$T_J = T_B + (R_{\theta JB} \times P_D)$$

where:

T_J = junction temperature (°C)

T_B = board temperature at the package perimeter (°C/W)

$R_{\theta JB}$ = junction to board thermal resistance (°C/W) per JESD51-8

P_D = power dissipation in the package (W)

When the heat loss from the package case to the air can be ignored, acceptable predictions of junction temperature can be made. The application board should be similar to the thermal test condition, with the component soldered to a board with internal planes.

Historically, the thermal resistance has frequently been expressed as the sum of a junction to case thermal resistance and a case to ambient thermal resistance:

$$R_{\theta JA} = R_{\theta JC} + R_{\theta CA}$$

where:

$R_{\theta JA}$ = junction to ambient thermal resistance (°C/W)

$R_{\theta JC}$ = junction to case thermal resistance (°C/W)

$R_{\theta CA}$ = case to ambient thermal resistance (°C/W)

$R_{\theta JC}$ is device related and cannot be influenced by the user. The user controls the thermal environment to change the case to ambient thermal resistance, $R_{\theta CA}$. For instance, the user can change the air flow around the device, add a heat sink, change the mounting arrangement on printed circuit board, or change the thermal dissipation on the printed circuit board surrounding the device. This description is most useful for packages with heat sinks where some 90% of the heat flow is through the case to the heat sink to ambient. For most packages, a better model is required.

A more accurate two-resistor thermal model can be constructed from the junction to board thermal resistance and the junction to case thermal resistance. The junction to case covers the situation where a heat sink will be used or where a substantial amount of heat is dissipated from the top of the package. The junction to board thermal resistance describes the thermal performance when most of the heat is conducted to the printed circuit board. This model can be used for either hand estimations or for a computational fluid dynamics (CFD) thermal model.

To determine the junction temperature of the device in the application after prototypes are available, the Thermal Characterization Parameter (Ψ_{JT}) can be used to determine the junction temperature with a measurement of the temperature at the top center of the package case using the following equation:

$$T_J = T_T + (\Psi_{JT} \times P_D)$$

Electrical Characteristics

where:

T_T = thermocouple temperature on top of the package ($^{\circ}\text{C}$)

Ψ_{JT} = thermal characterization parameter ($^{\circ}\text{C}/\text{W}$)

P_D = power dissipation in the package (W)

The thermal characterization parameter is measured per JESD51-2 specification using a 40-gauge type T thermocouple epoxied to the top center of the package case. The thermocouple should be positioned so that the thermocouple junction rests on the package. A small amount of epoxy is placed over the thermocouple junction and over about 1 mm of wire extending from the junction. The thermocouple wire is placed flat against the package case to avoid measurement errors caused by cooling effects of the thermocouple wire.

References:

Semiconductor Equipment and Materials International
805 East Middlefield Rd
Mountain View, CA 94043
(415) 964-5111

MIL-SPEC and EIA/JESD (JEDEC) specifications are available from Global Engineering Documents at 800-854-7179 or 303-397-7956.

JEDEC specifications are available on the WEB at <http://www.jedec.org>.

- 1. C.E. Triplett and B. Joiner, "An Experimental Characterization of a 272 PBGA Within an Automotive Engine Controller Module," Proceedings of SemiTherm, San Diego, 1998, pp. 47–54.
- 2. G. Kromann, S. Shidore, and S. Addison, "Thermal Modeling of a PBGA for Air-Cooled Applications," Electronic Packaging and Production, pp. 53–58, March 1998.
- 3. B. Joiner and V. Adams, "Measurement and Simulation of Junction to Board Thermal Resistance and Its Application in Thermal Modeling," Proceedings of SemiTherm, San Diego, 1999, pp. 212–220.

3.3 Package

The MPC5534 is available in packaged form. Package options are listed in [Section 2, "Ordering Information."](#)

Refer to [Section 4, "Mechanicals,"](#) for pinouts and package drawings.

3.4 EMI (Electromagnetic Interference) Characteristics

Table 4. EMI Testing Specifications¹

| Num | Characteristic | Min. Value | Typ. Value | Max. Value | Unit |
|-----|------------------------------------|------------|------------|------------|------|
| 1 | Scan Range | 0.15 | — | 1000 | MHz |
| 2 | Operating Frequency | — | — | 80 | MHz |
| 3 | V _{DD} Operating Voltages | — | 1.5 | — | V |

Table 4. EMI Testing Specifications¹ (continued)

| Num | Characteristic | Min. Value | Typ. Value | Max. Value | Unit |
|-----|---|------------|------------|------------------------------------|------|
| 4 | V _{DDSYN} , V _{RC33} , V _{DD33} , V _{FLASH} , V _{DDE} Operating Voltages | — | 3.3 | — | V |
| 5 | V _{PP} , V _{DDEH} , V _{DDA} Operating Voltages | — | 5.0 | — | V |
| 6 | Maximum Amplitude | — | — | 14 ² 32 ³ | dBuV |
| 7 | Operating Temperature | — | — | 25 | °C |

¹ EMI testing and I/O port waveforms per SAE J1752/3 issued 1995-03. Qualification testing is performed on the MPC5554 and applied to MPC5500 family as generic EMI performance data.

² As measured with “single-chip” EMI program.

³ As measured with “expanded” EMI program.

3.5 ESD Characteristics

Table 5. ESD Ratings^{1, 2}

| Characteristic | Symbol | Value | Unit |
|---|--------|-------------------|--------|
| ESD for Human Body Model (HBM) | | 2000 | V |
| HBM Circuit Description | R1 | 1500 | Ohm |
| | C | 100 | pF |
| ESD for Field Induced Charge Model (FDCM) | | 500 (all pins) | V |
| | | 750 (corner pins) | |
| Number of Pulses per pin: | | | |
| Positive Pulses (HBM) | — | 1 | — |
| Negative Pulses (HBM) | — | 1 | — |
| Interval of Pulses | — | 1 | second |

¹ All ESD testing is in conformity with CDF-AEC-Q100 Stress Test Qualification for Automotive Grade Integrated Circuits.

² A device will be defined as a failure if after exposure to ESD pulses the device no longer meets the device specification requirements. Complete DC parametric and functional testing shall be performed per applicable device specification at room temperature followed by hot temperature, unless specified otherwise in the device specification

3.6 VRC/POR Electrical Specifications

Table 6. VRC/POR Electrical Specifications

| Num | Characteristic | Symbol | Min | Max | Units |
|-----|--|---------------|-----|------|-------|
| 1 | 1.5V (VDD) POR Negated (Ramp Up) | V_POR15 | 1.1 | 1.35 | V |
| | 1.5V (VDD) POR Asserted (Ramp Down) | | 1.1 | 1.35 | |
| 2 | 3.3V (VDDSYN) POR Negated (Ramp Up) | V_POR33 | 2.0 | 2.85 | V |
| | 3.3V (VDDSYN) POR Asserted (Ramp Down) | | 2.0 | 2.85 | |
| 3 | RESET Pin Supply (VDDEH6) POR Negated (Ramp Up) | V_POR5 | 2.0 | 2.85 | V |
| | RESET Pin Supply (VDDEH6) POR Asserted (Ramp Down) | | 2.0 | 2.85 | |
| 4 | VRC33 voltage before regulator controller allows the pass transistor to start turning on | V_TRANS_START | 1.0 | 2.0 | V |

Table 6. VRC/POR Electrical Specifications (continued)

| Num | Characteristic | Symbol | Min | Max | Units |
|-----|--|-----------------------|---|---------------|----------------|
| 5 | VRC33 voltage when regulator controller allows the pass transistor to completely turn on ^{1, 2} | V_TRANS_ON | 2.0 | 2.85 | V |
| 6 | VRC33 voltage above which the regulator controller will keep the 1.5V supply in regulation ^{3, 4} | V_VRC33REG | 3.0 | — | V |
| 7 | Current which can be sourced by VRCCTL – 40C 25C 150C (Tj) | I_VRCCTL ⁵ | 11.0 9.0 7.5 | — — — | mA mA mA |
| 8 | Voltage differential during power up that VDD33 can lag VDDSYN or VDDEH6 before VDDSYN and VDDEH6 reach V_POR33 and V_POR5 minimums respectively | VDD33_LAG | — | 1.0 | V |
| 9 | Absolute value of Slew Rate on power supply pins | | — | 50 | V/ms |
| 10 | Required Gain: Idd / I_VRCCTL (@vdd = 1.35v, fsys = 80MHz) ^{4, 6} – 40C 25C 150C (Tj) | BETA ⁷ | 35.0 ⁸ 40.0 ⁸ 50.0 ⁸ | — — 500 | — — — |

¹ User must be able to supply full operating current for the 1.5V supply when the 3.3V supply reaches this range.

² Current limit may be reached during ramp up and should not be treated as short circuit current.

³ At peak current for device.

⁴ Assumes that the Freescale recommended board requirements and transistor recommendations are met. Board signal traces/routing from the VRCCTL package signal to the base of the external pass transistor and between the emitter of the pass transistor to the VDD package signals should have a maximum of 100 nH inductance and minimal resistance (<1 ohm). VRCCTL should have a nominal 1 μF phase compensation capacitor to ground. VDD should have a 20 μF (nominal) bulk capacitor (> 4 μF over all conditions, including lifetime). High frequency bypass capacitors consisting of eight 0.01 μF, two 0.1 μF, and one 1 μF capacitors should be placed around the package on the VDD supply signals.

⁵ I_VRCCTL measured at the following conditions: VDD=1.35V, VRC33=3.1V, V_VRCCTL=2.2V.

⁶ Values are based on IDD from high use applications as explained in the IDD Electrical Specification.

⁷ BETA is measured on a per part basis and is calculated as IDD / I_VRCCTL and represents the worst case external transistor BETA.

⁸ Preliminary value. Final specification pending characterization.

3.7 Power Up/Down Sequencing

Power sequencing between the 1.5-V power supply and VDDSYN or the RESET power supplies is required if the user provides an external 1.5-V power supply and ties VRC33 to ground. To avoid this power sequencing requirement, power up VRC33 within the specified operating range, even if not using the on-chip voltage regulator controller. Refer to [Section 3.7.1, “Power Up Sequence \(If VRC33 Grounded\)”](#) and [Section 3.7.2, “Power Down Sequence \(If VRC33 Grounded\)”](#).

Another power sequencing requirement is that VDD33 must be of sufficient voltage before POR negates, so that the values on certain pins are treated as 1s when POR does negate. Refer to [Section 3.7.3, “Input Value of Pins During POR Dependent on VDD33.”](#)

Although there is no power sequencing required between VRC33 and VDDSYN during power up, for the VRC stage turn-on to operate within specification, VRC33 must not lead VDDSYN by more than 600 mV or lag by more than 100 mV. Higher spikes in the emitter current of the pass transistor will occur if VRC33 leads or lags VDDSYN by more than these amounts. The value of that higher spike in current depends on the board power supply circuitry and the amount of board level capacitance.

Furthermore, when all of the PORs negate, the system clock will start to toggle, adding another large increase of the current consumption from VRC33. If VRC33 lags VDDSYN by more than 100 mV, this increased current consumption can drop VDD low enough to assert the 1.5-V POR again. Oscillations are even possible because when the 1.5-V POR asserts, the system clock stops, causing the voltage on VDD to rise until the 1.5-V POR negates again. Any oscillations stop when VRC33 is powered sufficiently.

When powering down, VRC33 and VDDSYN do not have a delta requirement to each other, because the bypass capacitors internal and external to the device are already charged.

When not powering up or down, VRC33 and VDDSYN do not have a delta requirement to each other for the VRC to operate within specification.

Although there are no power up/down sequencing requirements to prevent issues like latch-up, excessive current spikes, etc., the state of the I/O pins during power up/down varies depending on power. [Table 7](#) gives the pin state for the sequence cases for all pins with pad type pad_fc (fast type), and [Table 8](#) for all pins with pad type pad_mh (medium type) and pad_sh (slow type).

Table 7. Power Sequence Pin States (Fast Pads)

| V _{DDE} | V _{DD33} | V _{DD} | pad_fc (Fast) Output Driver State | Comment |
|------------------|-------------------|-----------------|---|---|
| LOW | X | X | Low | Functional I/O pins are clamped to VSS and VDDE |
| VDDE | LOW | X | High | |
| VDDE | VDD33 | LOW | High Impedance | POR asserted. |
| VDDE | VDD33 | VDD | Functional | No POR asserted |

Table 8. Power Sequence Pin States (Medium and Slow Pads)

| V _{DDEH} | V _{DD} | pad_mh/pad_sh (Medium and Slow) Output Driver | Comment |
|-------------------|-----------------|---|--|
| LOW | X | Low | Functional I/O pins are clamped to VSS and VDDEH |
| VDDEH | LOW | High Impedance | POR asserted |
| VDDEH | VDD | Functional | No POR asserted |

3.7.1 Power Up Sequence (If VRC33 Grounded)

In this case, the 1.5-V VDD supply must rise to 1.35-V before the 3.3-V VDDSYN and the RESET power supplies rises above 2.0 V. This ensures that digital logic in the PLL on the 1.5-V supply will not begin to operate below the specified operation range lower limit of 1.35 V. Since the internal 1.5-V POR is disabled,

Electrical Characteristics

the internal 3.3-V POR or the RESET power POR must be depended on to hold the device in reset. Since they may negate as low as 2.0 V, it is necessary for VDD to be within spec before the 3.3-V POR and the RESET POR negate.

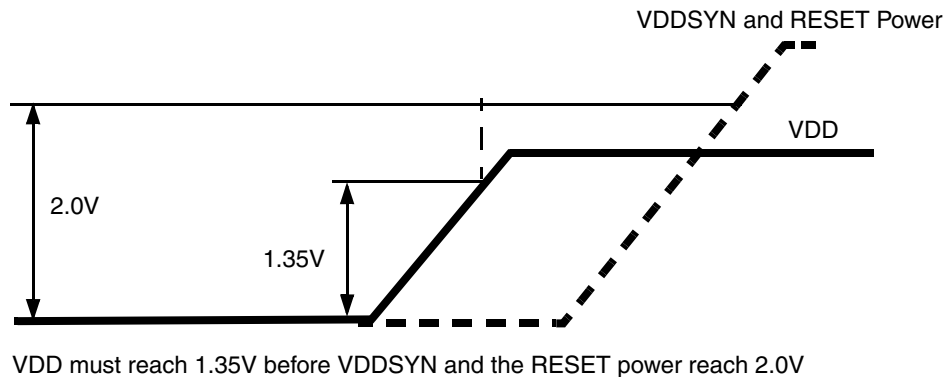


Figure 2. Power Up Sequence if VRC33 Grounded

3.7.2 Power Down Sequence (If VRC33 Grounded)

In this case, the only requirement is that if VDD falls below its operating range, VDDSYN or the RESET power must fall below 2.0 V before VDD is allowed to rise back into its operating range. This ensures that digital 1.5-V logic that is only reset by ORed_POR, which may have been affected by the 1.5V supply falling below spec, is reset properly.

3.7.3 Input Value of Pins During POR Dependent on VDD33

In order to avoid accidentally selecting the bypass clock because PLLCFG[0:1] and $\overline{\text{RSTCFG}}$ are not treated as 1s when POR negates, VDD33 must not lag VDDSYN and the RESET pin power (VDDEH6) when powering the device by more than the VDD33 lag specification in Table 6. VDD33 individually can lag either VDDSYN or the RESET pin power (VDDEH6) by more than the VDD33 lag specification. VDD33 can lag one of the VDDSYN or VDDEH6 supplies, but cannot lag both by more than the VDD33 lag specification. This VDD33 lag specification only applies during power up. VDD33 has no lead or lag requirements when powering down.

3.8 DC Electrical Specifications

Table 9. DC Electrical Specifications

| Num | Characteristic | Symbol | Min | Max | Unit |
|-----|--|------------|------|------|------|
| 1 | Core Supply Voltage (average DC RMS voltage) | V_{DD} | 1.35 | 1.65 | V |
| 2 | I/O Supply Voltage (Fast I/O) | V_{DDE} | 1.62 | 3.6 | V |
| 3 | I/O Supply Voltage (Slow/Medium I/O) | V_{DDEH} | 3.0 | 5.25 | V |
| 4 | 3.3V I/O Buffer Voltage | V_{DD33} | 3.0 | 3.6 | V |
| 5 | Voltage Regulator Control Input Voltage | V_{RC33} | 3.0 | 3.6 | V |

Table 9. DC Electrical Specifications (continued)

| Num | Characteristic | Symbol | Min | Max | Unit |
|-----|---|--------------------|-----------------------------|--------------------------------------|----------------------|
| 6 | Analog Supply Voltage ¹ | V _{DDA} | 4.5 | 5.25 | V |
| 8 | Flash Programming Voltage ² | V _{PP} | 4.5 | 5.25 | V |
| 9 | Flash Read Voltage | V _{FLASH} | 3.0 | 3.6 | V |
| 10 | SRAM Standby Voltage ³ | V _{STBY} | 0.8 | 1.2 | V |
| 11 | Clock Synthesizer Operating Voltage | V _{DDSYN} | 3.0 | 3.6 | V |
| 12 | Fast I/O Input High Voltage | V _{IH_F} | 0.65 * V _{DDE} | V _{DDE} + 0.3 | V |
| 13 | Fast I/O Input Low Voltage | V _{IL_F} | V _{SS} - 0.3 | 0.35 * V _{DDE} | V |
| 14 | Medium/Slow I/O Input High Voltage | V _{IH_S} | 0.65 * V _{DDEH} | V _{DDEH} + 0.3 | V |
| 15 | Medium/Slow I/O Input Low Voltage | V _{IL_S} | V _{SS} - 0.3 | 0.35 * V _{DDEH} | V |
| 16 | Fast I/O Input Hysteresis | V _{HYS_F} | 0.1 * V _{DDE} | | V |
| 17 | Medium/Slow I/O Input Hysteresis | V _{HYS_S} | 0.1 * V _{DDEH} | | V |
| 18 | Analog Input Voltage | V _{INDC} | V _{SSA} - 0.3 | V _{DDA} + 0.3 | V |
| 19 | Fast I/O Output High Voltage (I _{OH_F} = -2.0mA) | V _{OH_F} | 0.8 * V _{DDE} | — | V |
| 20 | Slow/Medium I/O Output High Voltage (I _{OH_S} = -2.0mA) | V _{OH_S} | 0.8 * V _{DDEH} | — | V |
| 21 | Fast I/O Output Low Voltage (I _{OL_F} = 2.0mA) | V _{OL_F} | — | 0.2 * V _{DDE} | V |
| 22 | Slow/Medium I/O Output Low Voltage (I _{OL_S} = 2.0mA) | V _{OL_S} | — | 0.2 * V _{DDEH} | V |
| 23 | Load Capacitance (Fast I/O) ⁴ DSC(SIU_PCR[8:9]) = 0b00 DSC(SIU_PCR[8:9]) = 0b01 DSC(SIU_PCR[8:9]) = 0b10 DSC(SIU_PCR[8:9]) = 0b11 | C _L | — — — | 10 20 30 50 | pF pF pF pF |
| 24 | Input Capacitance (Digital Pins) | C _{IN} | — | 7 | pF |
| 25 | Input Capacitance (Analog Pins) | C _{IN_A} | — | 10 | pF |
| 26 | Input Capacitance (Shared digital and analog pins AN12_MA0_SDS, AN12_MA1_SDO, AN14_MA2_SDI, and AN15_FCK) | C _{IN_M} | — | 12 | pF |
| 27a | Operating Current ⁵ 1.5V Supplies @ 80MHz: VDD (including VDDF max current) ^{6,7} @ 1.65V High Use VDD (including VDDF max current) ^{6,7} @ 1.35V High Use | IDD IDD | — — | 380 ⁸ 310 ⁸ | mA mA |
| 27b | Operating Current ⁵ 1.5V Supplies @ 66MHz: VDD (including VDDF max current) ^{6,7} @ 1.65V High Use VDD (including VDDF max current) ^{6,7} @ 1.35V High Use | IDD IDD | — — | 225 ⁸ 180 ⁸ | mA mA |

Electrical Characteristics

Table 9. DC Electrical Specifications (continued)

| Num | Characteristic | Symbol | Min | Max | Unit |
|-----|---|---|---|--|--|
| 27c | Operating Current ⁵ 1.5V Supplies @ 40MHz: VDD (including VDDF max current) ^{6, 7} @ 1.65V High Use VDD (including VDDF max current) ^{6, 7} @ 1.35V High Use | IDD IDD | — — | 150 ⁸ 120 ⁸ | mA mA |
| 27d | IDD _{STBY} @ 25C VSTBY @ 0.8V VSTBY @ 1.0V VSTBY @ 1.2V IDD _{STBY} @ 60C VSTBY @ 0.8V VSTBY @ 1.0V VSTBY @ 1.2V IDD _{STBY} @ 150C (Tj) VSTBY @ 0.8V VSTBY @ 1.0V VSTBY @ 1.2V | IDD _{STBY} IDD _{STBY} IDD _{STBY} IDD _{STBY} IDD _{STBY} IDD _{STBY} IDD _{STBY} IDD _{STBY} IDD _{STBY} | — — — — — — — — — | 20 30 50 70 100 200 1200 1500 2000 | μA μA μA μA μA μA μA μA μA |
| 28 | Operating Current 3.3V Supplies @ 80MHz: VDD33 ⁹ VFLASH VDDSYN | IDD ₃₃ I _{VFLASH} I _D SYN | — — — | 2 + values derived from procedure of Footnote 9 10 15 | mA mA mA |
| 29 | Operating Current 5.0V Supplies @ 80MHz (12MHz ADCLK): VDDA (VDDA0 + VDDA1) Analog Reference Supply Current (VRH, VRL) VPP | IDD _A I _{REF} I _{PP} | — — — | 20.0 1.0 25 | mA mA mA |
| 30 | Operating Current VDDE ¹⁰ Supplies: VDDEH1 VDDE2 VDDE3 VDDEH4 VDDE5 VDDEH6 VDDE7 VDDEH8 VDDEH9 | IDD1 IDD2 IDD3 IDD4 IDD5 IDD6 IDD7 IDD8 IDD9 | — — — — — — — — — | See Footnote 10 | mA mA mA mA mA mA mA mA mA |

Table 9. DC Electrical Specifications (continued)

| Num | Characteristic | Symbol | Min | Max | Unit |
|-----|--|---|------------|-------------------|---------|
| 31 | Fast I/O Weak Pull Up Current ¹¹ 1.62V – 1.98V 2.25V – 2.75V 3.0V – 3.6V | I_{ACT_F} | 10 | 110 | μA |
| | 20 | | 130 | μA | |
| | Fast I/O Weak Pull Down Current ¹¹ 1.62V – 1.98V 2.25V – 2.75V 3.0V – 3.6V | | 20 | 170 | μA |
| | | | | 10 | 100 |
| | | | 20 | 130 | μA |
| | | | 20 | 170 | μA |
| 32 | Slow/Medium I/O Weak Pull Up/Down Current ¹² 3.0V – 3.6V 4.5V – 5.5V | I_{ACT_S} | 10 | 150 | μA |
| | | | 20 | 170 | μA |
| 33 | I/O Input Leakage Current ¹³ | I_{INACT_D} | – 2.5 | 2.5 | μA |
| 34 | DC Injection Current (per pin) | I_{IC} | – 2.0 | 2.0 | mA |
| 35 | Analog Input Current, Channel Off ¹⁴ | I_{INACT_A} | –150 | 150 | nA |
| 35a | Analog Input Current, Shared Analog/Digital pins (AN12, AN13, AN14, AN15) | I_{INACT_AD} | – 2.5 | 2.5 | μA |
| 36 | VSS Differential Voltage ¹⁵ | VSS – VSSA | – 100 | 100 | mV |
| 37 | Analog Reference Low Voltage | VRL | VSSA – 0.1 | VSSA + 0.1 | V |
| 38 | VRL Differential Voltage | VRL – VSSA | –100 | 100 | mV |
| 39 | Analog Reference High Voltage | VRH | VDDA – 0.1 | VDDA + 0.1 | V |
| 40 | V _{REF} Differential Voltage | VRH – VRL | 4.5 | 5.25 | V |
| 41 | VSSSYN to VSS Differential Voltage | VSSSYN – VSS | –50 | 50 | mV |
| 42 | VRCVSS to VSS Differential Voltage | VRCVSS – VSS | –50 | 50 | mV |
| 43 | VDDF to VDD Differential Voltage ² | VDDF – VDD | –100 | 100 | mV |
| 43a | VRC33 to VDDSYN Differential Voltage | V _{RC33} – V _{DDSYN} | –0.1 | 0.1 ¹⁶ | V |
| 44 | Analog Input Differential Signal Range (with common mode 2.5V) | V _{IDIFF} | – 2.5 | 2.5 | V |
| 45 | Operating Temperature Range — Ambient (Packaged) | T _A (T _L to T _H) | – 40.0 | 125.0 | °C |
| 46 | Slew rate on power supply pins | — | — | 50 | V/ms |

¹ | VDDA0–VDDA1 | must be < 0.1V

² VPP can drop to 3.0 volts during read operations.

³ During standby operation. If standby operation is not required, VSTBY can be connected to ground.

⁴ Applies to CLKOUT, external bus pins, and Nexus pins.

⁵ Maximum average RMS DC current.

⁶ Peak currents may be higher on specialized code.

Electrical Characteristics

- ⁷ High use current measured while running optimized SPE assembly code with all code and data 100% locked in cache (0% miss rate) with all channels of the eMIOS and eTPU running autonomously, plus the eDMA transferring data continuously from SRAM to SRAM. Higher currents could be seen if an “idle” loop that crosses cache lines is run from cache. Code should be written to avoid this condition.
- ⁸ Preliminary. Final specification pending characterization.
- ⁹ Power requirements for the VDD33 supply are dependent on the frequency of operation and load of all I/O pins, and the voltages on the I/O segments. See [Table 11](#) for values to calculate power dissipation for specific operation.
- ¹⁰ Power requirements for each I/O segment are dependent on the frequency of operation and load of the I/O pins on a particular I/O segment, and the voltage of the I/O segment. See [Table 10](#) for values to calculate power dissipation for specific operation. The total power consumption of an I/O segment is the sum of the individual power consumptions for each pin on the segment.
- ¹¹ Absolute value of current, measured at V_{IL} and V_{IH} .
- ¹² Absolute value of current, measured at V_{IL} and V_{IH} .
- ¹³ Weak pull up/down inactive. Measured at $VDDE = 3.6$ V and $VDDEH = 5.25$ V. Applies to pad types: pad_fc, pad_sh, and pad_mh.
- ¹⁴ Maximum leakage occurs at maximum operating temperature. Leakage current decreases by approximately one-half for each 8 to 12 °C, in the ambient temperature range of 50 to 125 °C. Applies to pad types: pad_a and pad_ae.
- ¹⁵ VSSA refers to both VSSA0 and VSSA1. $|VSSA0 - VSSA1|$ must be < 0.1 V
- ¹⁶ Up to 0.6 volts during power up and power down.

3.8.1 I/O Pad Current Specifications

The power consumption of an I/O segment depends on the usage of the pins on a particular segment. The power consumption is the sum of all output pin currents for a particular segment. The output pin current can be calculated from [Table 10](#) based on the voltage, frequency, and load on the pin. Use linear scaling to calculate pin currents for voltage, frequency, and load parameters that fall outside the values given in [Table 10](#).

Table 10. I/O Pad Average DC Current¹

| Num | Pad Type | Symbol | Frequency (MHz) | Load ² (pF) | Voltage (V) | Drive Select / Slew Rate Control | Current (mA) |
|-----|----------|---------------|-----------------|------------------------|-------------|----------------------------------|--------------|
| 1 | Slow | I_{DRV_SH} | 25 | 50 | 5.25 | 11 | 8.0 |
| 2 | | | 10 | 50 | 5.25 | 01 | 3.2 |
| 3 | | | 2 | 50 | 5.25 | 00 | 0.7 |
| 4 | | | 2 | 200 | 5.25 | 00 | 2.4 |
| 5 | Medium | I_{DRV_MH} | 50 | 50 | 5.25 | 11 | 17.3 |
| 6 | | | 20 | 50 | 5.25 | 01 | 6.5 |
| 7 | | | 3.33 | 50 | 5.25 | 00 | 1.1 |
| 8 | | | 3.33 | 200 | 5.25 | 00 | 3.9 |

Table 10. I/O Pad Average DC Current¹ (continued)

| Num | Pad Type | Symbol | Frequency (MHz) | Load ² (pF) | Voltage (V) | Drive Select / Slew Rate Control | Current (mA) |
|-----|----------|---------------------|-----------------|------------------------|-------------|----------------------------------|--------------|
| 9 | Fast | I _{DRV_FC} | 66 | 10 | 3.6 | 00 | 2.8 |
| 10 | | | 66 | 20 | 3.6 | 01 | 5.2 |
| 11 | | | 66 | 30 | 3.6 | 10 | 8.5 |
| 12 | | | 66 | 50 | 3.6 | 11 | 11.0 |
| 13 | | | 66 | 10 | 1.98 | 00 | 1.6 |
| 14 | | | 66 | 20 | 1.98 | 01 | 2.9 |
| 15 | | | 66 | 30 | 1.98 | 10 | 4.2 |
| 16 | | | 66 | 50 | 1.98 | 11 | 6.7 |
| 17 | | | 56 | 10 | 3.6 | 00 | 2.4 |
| 18 | | | 56 | 20 | 3.6 | 01 | 4.4 |
| 19 | | | 56 | 30 | 3.6 | 10 | 7.2 |
| 20 | | | 56 | 50 | 3.6 | 11 | 9.3 |
| 21 | | | 56 | 10 | 1.98 | 00 | 1.3 |
| 22 | | | 56 | 20 | 1.98 | 01 | 2.5 |
| 23 | | | 56 | 30 | 1.98 | 10 | 3.5 |
| 24 | | | 56 | 50 | 1.98 | 11 | 5.7 |
| 25 | | | 40 | 10 | 3.6 | 00 | 1.7 |
| 26 | | | 40 | 20 | 3.6 | 01 | 3.1 |
| 27 | | | 40 | 30 | 3.6 | 10 | 5.1 |
| 28 | | | 40 | 50 | 3.6 | 11 | 6.6 |
| 29 | | | 40 | 10 | 1.98 | 00 | 1.0 |
| 30 | | | 40 | 20 | 1.98 | 01 | 1.8 |
| 31 | | | 40 | 30 | 1.98 | 10 | 2.5 |
| 32 | | | 40 | 50 | 1.98 | 11 | 4.0 |

¹ These values are estimated from simulation and are not tested. Currents apply to output pins only.

² All loads are lumped.

3.8.2 I/O Pad VDD33 Current Specifications

The power consumption of the VDD33 supply depends on the usage of the pins on all I/O segments. The power consumption is the sum of all input and output pin VDD33 currents for all I/O segments. The output pin VDD33 current can be calculated from [Table 11](#) based on the voltage, frequency, and load on all fast (pad_fc) pins. The input pin VDD33 current can be calculated from [Table 11](#) based on the voltage, frequency, and load on all pad_sh and pad_sh pins. Use linear scaling to calculate pin currents for voltage, frequency, and load parameters that fall outside the values given in [Table 11](#).

Table 11. VDD33 Pad Average DC Current¹

| Num | Pad Type | Symbol | Frequency (MHz) | Load ² (pF) | V _{DD33} (V) | V _{DDE} (V) | Drive Select | Current (mA) |
|---------|----------|--------------------|-----------------|------------------------|-----------------------|----------------------|--------------|--------------|
| Inputs | | | | | | | | |
| 1 | Slow | I _{33_SH} | 66 | 0.5 | 3.6 | 5.5 | NA | 0.003 |
| 2 | Medium | I _{33_MH} | 66 | 0.5 | 3.6 | 5.5 | NA | 0.003 |
| Outputs | | | | | | | | |
| 3 | Fast | I _{33_FC} | 66 | 10 | 3.6 | 3.6 | 00 | 0.35 |
| 4 | | | 66 | 20 | 3.6 | 3.6 | 01 | 0.53 |
| 5 | | | 66 | 30 | 3.6 | 3.6 | 10 | 0.62 |
| 6 | | | 66 | 50 | 3.6 | 3.6 | 11 | 0.79 |
| 7 | | | 66 | 10 | 3.6 | 1.98 | 00 | 0.35 |
| 8 | | | 66 | 20 | 3.6 | 1.98 | 01 | 0.44 |
| 9 | | | 66 | 30 | 3.6 | 1.98 | 10 | 0.53 |
| 10 | | | 66 | 50 | 3.6 | 1.98 | 11 | 0.7 |
| 11 | | | 56 | 10 | 3.6 | 3.6 | 00 | 0.30 |
| 12 | | | 56 | 20 | 3.6 | 3.6 | 01 | 0.45 |
| 13 | | | 56 | 30 | 3.6 | 3.6 | 10 | 0.52 |
| 14 | | | 56 | 50 | 3.6 | 3.6 | 11 | 0.67 |
| 15 | | | 56 | 10 | 3.6 | 1.98 | 00 | 0.30 |
| 16 | | | 56 | 20 | 3.6 | 1.98 | 01 | 0.37 |
| 17 | | | 56 | 30 | 3.6 | 1.98 | 10 | 0.45 |
| 18 | | | 56 | 50 | 3.6 | 1.98 | 11 | 0.60 |
| 19 | | | 40 | 10 | 3.6 | 3.6 | 00 | 0.21 |
| 20 | | | 40 | 20 | 3.6 | 3.6 | 01 | 0.31 |
| 21 | | | 40 | 30 | 3.6 | 3.6 | 10 | 0.37 |
| 22 | | | 40 | 50 | 3.6 | 3.6 | 11 | 0.48 |
| 23 | | | 40 | 10 | 3.6 | 1.98 | 00 | 0.21 |
| 24 | | | 40 | 20 | 3.6 | 1.98 | 01 | 0.27 |
| 25 | | | 40 | 30 | 3.6 | 1.98 | 10 | 0.32 |
| 26 | | | 40 | 50 | 3.6 | 1.98 | 11 | 0.42 |

¹ These values are estimated from simulation and not tested. Currents apply to output pins only for the fast pads and to input pins only for the slow and medium pads.

² All loads are lumped.

3.9 Oscillator & FMPLL Electrical Characteristics

Table 12. HiP7 FMPLL Electrical Specifications
 $(V_{DDSYN} = 3.0V \text{ to } 3.6 V, V_{SS} = V_{SSSYN} = 0 V, T_A = T_L \text{ to } T_H)$

| Num | Characteristic | Symbol | Min. Value | Max. Value | Unit |
|-----|--|--|-----------------------------|---|----------------|
| 1 | PLL Reference Frequency Range: Crystal reference External reference Dual Controller (1:1 mode) | $f_{ref_crystal}$ f_{ref_ext} $f_{ref_1:1}$ | 8 8 24 | 20 20 $f_{sys}/2$ | MHz |
| 2 | System Frequency ¹ | f_{sys} | $f_{ico(min)} \div 2^{RFD}$ | f_{MAX} ² | MHz |
| 3 | System Clock Period | t_{CYC} | — | $1 / f_{sys}$ | ns |
| 4 | Loss of Reference Frequency ³ | f_{LOR} | 100 | 1000 | kHz |
| 5 | Self Clocked Mode (SCM) Frequency ⁴ | f_{SCM} | 7.4 | 17.5 | MHz |
| 6 | EXTAL Input High Voltage Crystal Mode ⁵ | V_{IHEXT} | $V_{xtal} + 0.4v$ | — | V |
| | All other modes (Dual Controller (1:1), Bypass, External Reference) | V_{IHEXT} | $((V_{DDE5}/2) + 0.4v)$ | — | V |
| 7 | EXTAL Input Low Voltage Crystal Mode ⁶ | V_{ILEXT} | — | $V_{xtal} - 0.4v$ | V |
| | All other modes (Dual Controller (1:1), Bypass, External Reference) | V_{ILEXT} | — | $((V_{DDE5}/2) - 0.4v)$ | V |
| 8 | XTAL Current ⁷ | I_{XTAL} | 0.8 | 3 | mA |
| 9 | Total On-chip stray capacitance on XTAL | C_{S_XTAL} | — | 1.5 | pF |
| 10 | Total On-chip stray capacitance on EXTAL | C_{S_EXTAL} | — | 1.5 | pF |
| 11 | Crystal manufacturer's recommended capacitive load | C_L | See crystal specification | See crystal specification | pF |
| 12 | Discrete load capacitance to be connected to EXTAL | C_{L_EXTAL} | — | $2 * C_L - C_{S_EXTAL} - C_{PCB_EXTAL}$ | pF |
| 13 | Discrete load capacitance to be connected to XTAL | C_{L_XTAL} | — | $2 * C_L - C_{S_XTAL} - C_{PCB_XTAL}$ | pF |
| 14 | PLL Lock Time ⁹ | t_{pll} | — | 750 | μs |
| 15 | Dual Controller (1:1) Clock Skew (between CLKOUT and EXTAL) ^{10, 11} | t_{skew} | -2 | 2 | ns |
| 16 | Duty Cycle of reference | t_{dc} | 40 | 60 | % |
| 17 | Frequency un-LOCK Range | f_{UL} | - 4.0 | 4.0 | % f_{sys} |
| 18 | Frequency LOCK Range | f_{LCK} | - 2.0 | 2.0 | % f_{sys} |
| 19 | CLKOUT Period Jitter, ^{12, 13} Measured at f_{SYS} Max Peak-to-peak Jitter (Clock edge to clock edge) Long Term Jitter (Averaged over 2 ms interval) | C_{jitter} | — — | 5.0 .01 | % f_{clkout} |

Table 12. HiP7 FMPLL Electrical Specifications (continued)

 $(V_{DDSYN} = 3.0V \text{ to } 3.6V, V_{SS} = V_{SSSYN} = 0V, T_A = T_L \text{ to } T_H)$

| Num | Characteristic | Symbol | Min. Value | Max. Value | Unit |
|-----|---|--------------|------------|------------------|-------------|
| 20 | Frequency Modulation Range Limit ¹⁴ (f_{sys} Max must not be exceeded) | C_{mod} | 0.8 | 2.4 | % f_{sys} |
| 21 | ICO Frequency. $f_{ico} = [f_{ref} * (MFD+4)] / (PREDIV+1)$ ¹⁵ | f_{ico} | 48 | 80 ¹⁶ | MHz |
| 22 | Predivider Output Frequency (to PLL) | f_{PREDIV} | 4 | f_{MAX} | MHz |

¹ All internal registers retain data at 0 Hz.² Up to the maximum frequency rating of the device (see Table 1).³ “Loss of Reference Frequency” is the reference frequency detected internally, which transitions the PLL into self clocked mode.⁴ Self clocked mode (SCM) frequency is the frequency that the PLL operates at when the reference frequency falls below f_{LOR} . This frequency is measured on the CLKOUT pin with the divider set to divide-by-2 of the system clock. NOTE: In SCM, the MFD and PREDIV have no effect and the RFD is bypassed.⁵ This parameter is meant for those who do not use quartz crystals or resonators, but CAN osc, in crystal mode. In that case, $V_{extal} - V_{xtal} \geq 400mV$ criteria has to be met for oscillator's comparator to produce output clock.⁶ This parameter is meant for those who do not use quartz crystals or resonators, but CAN osc, in crystal mode. In that case, $V_{xtal} - V_{extal} \geq 400mV$ criteria has to be met for oscillator's comparator to produce output clock.⁷ I_{xtal} is the oscillator bias current out of the XTAL pin with both EXTAL and XTAL pins grounded.⁸ C_{PCB_EXTAL} and C_{PCB_XTAL} are the measured PCB stray capacitances on EXTAL and XTAL, respectively⁹ This specification applies to the period required for the PLL to relock after changing the MFD frequency control bits in the synthesizer control register (SYNCR). From power up with crystal oscillator reference, the lock time will also include the crystal startup time.¹⁰ PLL is operating in 1:1 PLL mode.¹¹ $V_{DDE} = 3.0 \text{ to } 3.6V$ ¹² Jitter is the average deviation from the programmed frequency measured over the specified interval at maximum f_{sys} . Measurements are made with the device powered by filtered supplies and clocked by a stable external clock signal. Noise injected into the PLL circuitry via V_{DDSYN} and V_{SSSYN} and variation in crystal oscillator frequency increase the jitter percentage for a given interval. CLKOUT divider set to divide-by-2.¹³ Values are with frequency modulation disabled. If frequency modulation is enabled, jitter is the sum of jitter + C_{mod} .¹⁴ Modulation depth selected must not result in f_{sys} value greater than the f_{sys} maximum specified value.¹⁵ $f_{sys} = f_{ico} / (2^{RFD})$ ¹⁶ Note that the ICO frequency may be higher than the maximum allowable system frequency, in that case, the FMPLL Synthesizer Control Register Reduced Frequency Divider (FMPLL_SYNCR[RFD]) must be set to divide by 2 (RFD=0b001). In other words, for a 40 MHz maximum device (system frequency), the FMPLL should be programmed to generate 80 MHz at the ICO output and then divided by 2 by the RFD to provide the 40 MHz system clock.

3.10 eQADC Electrical Characteristics

Table 13. eQADC Conversion Specifications (Operating)

| Num | Characteristic | Symbol | Min | Max | Unit |
|-----|---|-------------|------------------------------|------------------------------------|-----------------|
| 1 | ADC Clock (ADCLK) Frequency ¹ | F_{ADCLK} | 1 | 12 | MHz |
| 2 | Conversion Cycles Differential Single Ended | CC | 13+2 (or 15) 14+2 (or 16) | 13+128 (or 141) 14+128 (or 142) | ADCLK cycles |
| 3 | Stop Mode Recovery Time ² | T_{SR} | 10 | — | μs |

Table 13. eQADC Conversion Specifications (Operating) (continued)

| Num | Characteristic | Symbol | Min | Max | Unit |
|-----|--|------------------|-----------------|----------------|---------------------|
| 4 | Resolution ³ | — | 1.25 | — | mV |
| 5 | INL: 6 MHz ADC Clock | INL6 | –4 | 4 | Counts ³ |
| 6 | INL: 12 MHz ADC Clock | INL12 | –8 | 8 | Counts |
| 7 | DNL: 6 MHz ADC Clock | DNL6 | –3 ⁴ | 3 ⁴ | Counts |
| 8 | DNL: 12 MHz ADC Clock | DNL12 | –6 ⁴ | 6 ⁴ | Counts |
| 9 | Offset Error with Calibration | OFFWC | –4 ⁵ | 4 ⁵ | Counts |
| 10 | Full Scale Gain Error with Calibration | GAINWC | –8 ⁶ | 8 ⁶ | Counts |
| 11 | Disruptive Input Injection Current ^{7, 8, 9, 10} | I _{INJ} | –1 | 1 | mA |
| 12 | Incremental Error due to injection current. All channels have same 10kΩ < R _s < 100kΩ Channel under test has R _s =10kΩ, I _{INJ} =I _{INJMAX} ·I _{INJMIN} | E _{INJ} | –4 | 4 | Counts |
| 13 | Total Unadjusted Error for single ended conversions with calibration ^{11, 12, 13, 14, 15} | TUE | –4 | 4 | Counts |

¹ Conversion characteristics vary with F_{ADCLK} rate. Reduced conversion accuracy occurs at maximum F_{ADCLK} rate. The maximum value is based on 800KS/s and the minimum value is based on 20MHz oscillator clock frequency divided by a maximum 16 factor.

² Stop mode recovery time is the time from the setting of either of the enable bits in the ADC Control Register to the time that the ADC is ready to perform conversions.

³ At V_{RH} – V_{RL} = 5.12 V, one lsb = 1.25 mV = one count

⁴ Guaranteed 10-bit monotonicity

⁵ The absolute value of the offset error without calibration ≤ 100 counts.

⁶ The absolute value of the full scale gain error without calibration ≤ 120 counts.

⁷ Below disruptive current conditions, the channel being stressed has conversion values of 0x3FF for analog inputs greater than V_{RH} and 0x000 for values less than V_{RL}. This assumes that V_{RH} ≤ V_{DDA} and V_{RL} ≥ V_{SSA} due to the presence of the sample amplifier. Other channels are not affected by non-disruptive conditions.

⁸ Exceeding limit may cause conversion error on stressed channels and on unstressed channels. Transitions within the limit do not affect device reliability or cause permanent damage.

⁹ Input must be current limited to the value specified. To determine the value of the required current-limiting resistor, calculate resistance values using V_{POSCLAMP} = V_{DDA} + 0.5V and V_{NEGCLAMP} = – 0.3 V, then use the larger of the calculated values.

¹⁰ Condition applies to two adjacent pads on the internal pad.

¹¹ The TUE specification will always be better than the sum of the INL, DNL, offset, and gain errors due to canceling errors.

¹² TUE does not apply to differential conversions.

¹³ Measured at 6 MHz ADC clock. TUE with a 12 MHz ADC clock is: –16 counts < TUE < 16 counts.

¹⁴ TUE includes all internal device error such as internal reference variation (75% Ref, 25% Ref)

¹⁵ Depending on the customer input impedance, the Analog Input Leakage current (DC Electrical specification 35a) may affect the actual TUE measured on analog channels AN12, AN13, AN14, AN15.

3.11 H7Fb Flash Memory Electrical Characteristics

Table 14. Flash Program and Erase Specifications¹

| Num | Characteristic | Symbol | Min | Typ | Initial Max ² | Max ³ | Unit |
|-----|---|--------------------------|-----|-----|--------------------------|------------------|------|
| 3 | Double Word (64 bits) Program Time ⁴ | T _{dwprogram} | — | 10 | — | 500 | μs |
| 4 | Page Program Time ⁴ | T _{pprogram} | — | 22 | 44 ⁵ | 500 | μs |
| 7 | 16 Kbyte Block Pre-program and Erase Time | T _{16kpperase} | — | 265 | 400 | 5000 | ms |
| 9 | 48 Kbyte Block Pre-program and Erase Time | T _{48kpperase} | — | 340 | 400 | 5000 | ms |
| 10 | 64 Kbyte Block Pre-program and Erase Time | T _{64kpperase} | — | 400 | 500 | 5000 | ms |
| 8 | 128 Kbyte Block Pre-program and Erase Time | T _{128kpperase} | — | 500 | 1250 | 15,000 | ms |
| 11 | Minimum operating frequency for program and erase operations ⁶ | — | 25 | — | — | — | MHz |

¹ Typical program and erase times assume nominal supply values and operation at 25 °C.

² Initial factory condition: ≤ 100 program/erase cycles, 25 °C, typical supply voltage, 80MHz minimum system frequency.

³ The maximum erase time occurs after the specified number of program/erase cycles. This maximum value is characterized but not guaranteed.

⁴ Actual hardware programming times. This does not include software overhead.

⁵ Page size is 128 bits (4 words).

⁶ Read frequency of the flash can be up to the maximum operating frequency of the device. There is no minimum read frequency condition.

Table 15. Flash EEPROM Module Life (Full Temperature Range)

| Num | Characteristic | Symbol | Min | Typical ¹ | Unit |
|-----|---|-----------|---------|----------------------|--------|
| 1a | Number of Program/Erase cycles per block for 16 Kbyte, 48 Kbyte, and 64 Kbyte blocks over the operating temperature range (T _J) | P/E | 100,000 | — | cycles |
| 1b | Number of Program/Erase cycles per block for 128 Kbyte blocks over the operating temperature range (T _J) | P/E | 10,000 | 100,000 | cycles |
| 2 | Data retention Blocks with 0 – 1,000 P/E cycles Blocks with 1,001 – 100,000 P/E cycles | Retention | 20 5 | — | years |

¹ Typical endurance is evaluated at 25C. Product qualification is performed to the minimum specification. For additional information on the Freescale definition of Typical Endurance, please refer to Engineering Bulletin EB619 “Typical Endurance for Nonvolatile Memory.”

Table 16 shows the FLASH_BIU settings versus frequency of operation. Refer to the device Reference Manual for definitions of these bit-fields.

Table 16. FLASH_BIU Settings vs. Frequency of Operation¹

| Target ² Maximum Frequency (MHz) | APC | RWSC | WWSC | DPFEN | IPFEN | PFLIM | BFEN |
|---|-------|-------|------|-----------------------|-----------------------|------------------------|-----------------------|
| up to and including 25 MHz ³ | 0b000 | 0b000 | 0b01 | 0b0, 0b1 ⁴ | 0b0, 0b1 ⁴ | 0b00-0b1x ⁵ | 0b0, 0b1 ⁶ |
| up to and including 50 MHz | 0b001 | 0b001 | 0b01 | 0b0, 0b1 ⁴ | 0b0, 0b1 ⁴ | 0b00-0b1x ⁵ | 0b0, 0b1 ⁶ |

Table 16. FLASH_BIU Settings vs. Frequency of Operation¹ (continued)

| Target ² Maximum Frequency (MHz) | APC | RWSC | WWSC | DPFEN | IPFEN | PFLIM | BFEN |
|---|-------|-------|------|-----------------------|-----------------------|------------------------|-----------------------|
| up to and including 75 MHz | 0b010 | 0b010 | 0b01 | 0b0, 0b1 ⁴ | 0b0, 0b1 ⁴ | 0b00-0b1x ⁵ | 0b0, 0b1 ⁶ |
| up to and including 80 MHz | 0b011 | 0b011 | 0b01 | 0b0, 0b1 ⁴ | 0b0, 0b1 ⁴ | 0b00-0b1x ⁵ | 0b0, 0b1 ⁶ |
| Value at Reset | 0b111 | 0b111 | 0b11 | 0b0 | 0b0 | 0b00 | 0b0 |

¹ Illegal combinations exist. Therefore, all entries must be taken from the same row in this table.

² May be changed after Analysis and Characterization.

³ This APC/RWSC/WWSC combination requires setting the Flash MCR register bit PRD=1.

⁴ For maximum flash performance, this should be set to 0b1.

⁵ For maximum flash performance, this should be set to 0b1x.

⁶ For maximum flash performance, this should be set to 0b1.

3.12 AC Specifications

3.12.1 Pad AC Specifications

Table 17. Pad AC Specifications (VDDEH = 5.0V, VDDE = 1.8V)¹

| Num | Pad | SRC/DSC | Out Delay ^{2, 3, 4} (ns) | Rise/Fall ^{4, 5} (ns) | Load Drive (pF) |
|-----|--------------------------|---------|-----------------------------------|--------------------------------|-----------------|
| 1 | Slow High Voltage (SH) | 11 | 26 | 15 | 50 |
| | | | 82 | 60 | 200 |
| | | 01 | 75 | 40 | 50 |
| | | | 137 | 80 | 200 |
| | | 00 | 377 | 200 | 50 |
| | | | 476 | 260 | 200 |
| 2 | Medium High Voltage (MH) | 11 | 16 | 8 | 50 |
| | | | 43 | 30 | 200 |
| | | 01 | 34 | 15 | 50 |
| | | | 61 | 35 | 200 |
| | | 00 | 192 | 100 | 50 |
| | | | 239 | 125 | 200 |
| 3 | Fast | 00 | 3.1 | 2.7 | 10 |
| | | 01 | | 2.5 | 20 |
| | | 10 | | 2.4 | 30 |
| | | 11 | | 2.3 | 50 |
| 4 | Pull Up/Down (3.6V max) | — | — | 7500 | 50 |
| 5 | Pull Up/Down (5.5V max) | — | — | 9000 | 50 |

Electrical Characteristics

- ¹ These are worst case values that are estimated from simulation and not tested. The values in the table are simulated at $F_{SYS} = 80\text{MHz}$, $VDD = 1.35\text{V to }1.65\text{V}$, $VDDE = 1.62\text{V to }1.98\text{V}$, $VDDEH = 4.5\text{V to }5.5\text{V}$, $VDD33$ and $VDDSYN = 3.0\text{V to }3.6\text{V}$, $T_A = \text{TL to TH}$.
- ² This parameter is supplied for reference and is not guaranteed by design and not tested.
- ³ Out delay is shown in [Figure 3](#). Add a maximum of one system clock to the output delay for delay with respect to system clock.
- ⁴ Delay and rise/fall are measured to 20% or 80% of the respective signal.
- ⁵ This parameter is guaranteed by characterization before qualification rather than 100% tested.

Table 18. De-rated Pad AC Specifications (VDDEH = 3.3V, VDDE = 3.3V)¹

| Num | Pad | SRC/DSC | Out Delay ^{2, 3, 4} (ns) | Rise/Fall ^{3, 5} (ns) | Load Drive (pF) |
|-----|--------------------------|---------|--------------------------------------|-----------------------------------|--------------------|
| 1 | Slow High Voltage (SH) | 11 | 39 | 23 | 50 |
| | | | 120 | 87 | 200 |
| | | 01 | 101 | 52 | 50 |
| | | | 188 | 111 | 200 |
| | | 00 | 507 | 248 | 50 |
| | | | 597 | 312 | 200 |
| 2 | Medium High Voltage (MH) | 11 | 23 | 12 | 50 |
| | | | 64 | 44 | 200 |
| | | 01 | 50 | 22 | 50 |
| | | | 90 | 50 | 200 |
| | | 00 | 261 | 123 | 50 |
| | | | 305 | 156 | 200 |
| 3 | Fast | 00 | 3.2 | 2.4 | 10 |
| | | 01 | | 2.2 | 20 |
| | | 10 | | 2.1 | 30 |
| | | 11 | | 2.1 | 50 |
| 4 | Pull Up/Down (3.6V max) | — | — | 7500 | 50 |
| 5 | Pull Up/Down (5.5V max) | — | — | 9500 | 50 |

- ¹ These are worst case values that are estimated from simulation and not tested. The values in the table are simulated at $F_{SYS} = 80\text{MHz}$, $VDD = 1.35\text{V to }1.65\text{V}$, $VDDE = 3.0\text{V to }3.6\text{V}$, $VDDEH = 3.0\text{V to }3.6\text{V}$, $VDD33$ and $VDDSYN = 3.0\text{V to }3.6\text{V}$, $T_A = \text{TL to TH}$.
- ² This parameter is supplied for reference and is not guaranteed by design and not tested.
- ³ Delay and rise/fall are measured to 20% or 80% of the respective signal.
- ⁴ Out delay is shown in [Figure 3](#). Add a maximum of one system clock to the output delay for delay with respect to system clock.
- ⁵ This parameter is guaranteed by characterization before qualification rather than 100% tested.

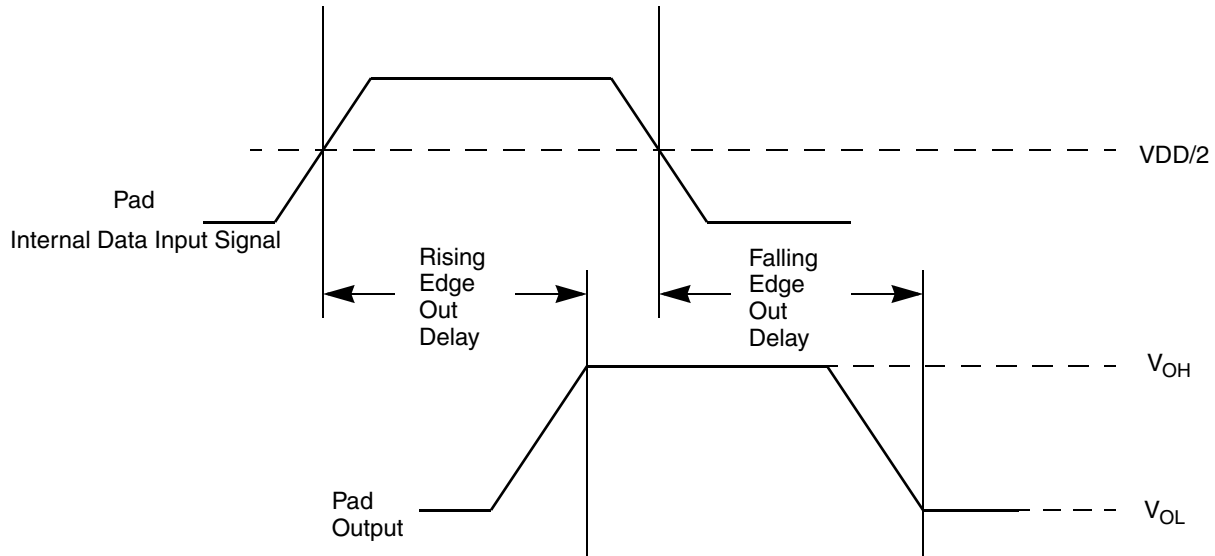


Figure 3. Pad Output Delay

3.13 AC Timing

3.13.1 Reset and Configuration Pin Timing

Table 19. Reset and Configuration Pin Timing¹

| Num | Characteristic | Symbol | Min | Max | Unit |
|-----|---|------------|-----|-----|-----------|
| 1 | $\overline{\text{RESET}}$ Pulse Width | t_{RPW} | 10 | — | t_{CYC} |
| 2 | $\overline{\text{RESET}}$ Glitch Detect Pulse Width | t_{GPW} | 2 | — | t_{CYC} |
| 3 | PLLCFG, BOOTCFG, WKPCFG, $\overline{\text{RSTCFG}}$ Setup Time to $\overline{\text{RSTOUT}}$ Valid | t_{RCSU} | 10 | — | t_{CYC} |
| 4 | PLLCFG, BOOTCFG, WKPCFG, $\overline{\text{RSTCFG}}$ Hold Time from $\overline{\text{RSTOUT}}$ Valid | t_{RCH} | 0 | — | t_{CYC} |

¹ Reset timing specified at $F_{SYS} = 80\text{MHz}$, $V_{DDEH} = 3.0\text{V}$ to 5.25V , $V_{DD} = 1.35\text{V}$ to 1.65V , $T_A = \text{TL}$ to TH .

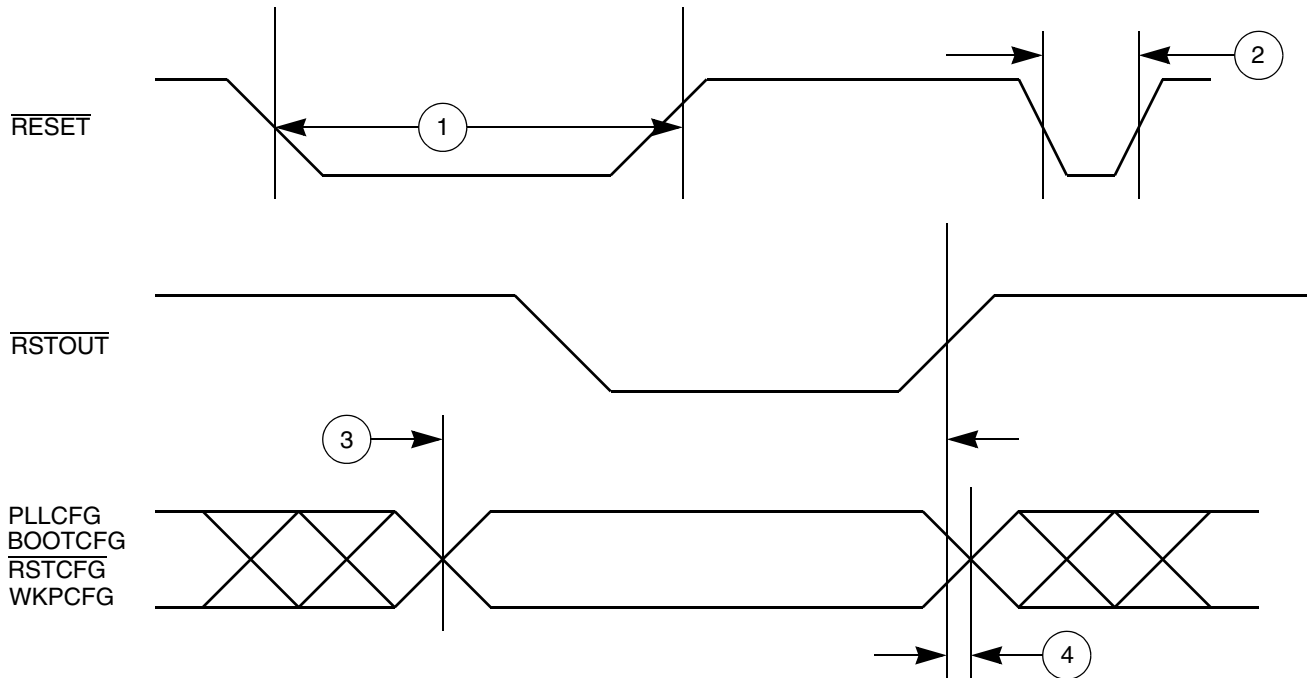


Figure 4. Reset and Configuration Pin Timing

3.13.2 IEEE 1149.1 Interface Timing

Table 20. JTAG Pin AC Electrical Characteristics¹

| Num | Characteristic | Symbol | Min | Max | Unit |
|-----|--|----------------------|-----|-----|------|
| 1 | TCK Cycle Time | t_{JCYC} | 100 | — | ns |
| 2 | TCK Clock Pulse Width (Measured at $V_{DDE}/2$) | t_{JDC} | 40 | 60 | ns |
| 3 | TCK Rise and Fall Times (40% – 70%) | $t_{TCKRISE}$ | — | 3 | ns |
| 4 | TMS, TDI Data Setup Time | t_{TMSS}, t_{TDIS} | 5 | — | ns |
| 5 | TMS, TDI Data Hold Time | t_{TMSH}, t_{TDIH} | 25 | — | ns |
| 6 | TCK Low to TDO Data Valid | t_{TDOV} | — | 20 | ns |
| 7 | TCK Low to TDO Data Invalid | t_{TDOI} | 0 | — | ns |
| 8 | TCK Low to TDO High Impedance | t_{TDOHZ} | — | 20 | ns |
| 9 | JCOMP Assertion Time | t_{JCMPPW} | 100 | — | ns |
| 10 | JCOMP Setup Time to TCK Low | t_{JCMPS} | 40 | — | ns |
| 11 | TCK Falling Edge to Output Valid | t_{BSDV} | — | 50 | ns |
| 12 | TCK Falling Edge to Output Valid out of High Impedance | t_{BSDVZ} | — | 50 | ns |
| 13 | TCK Falling Edge to Output High Impedance | t_{BSDHZ} | — | 50 | ns |
| 14 | Boundary Scan Input Valid to TCK Rising Edge | t_{BSDST} | 50 | — | ns |
| 15 | TCK Rising Edge to Boundary Scan Input Invalid | t_{BSDHT} | 50 | — | ns |

¹ These specifications apply to JTAG boundary scan only. JTAG timing specified at $V_{DD} = 1.35V$ to $1.65V$, $V_{DDE} = 3.0V$ to $3.6V$, V_{DD33} and $V_{DDSYN} = 3.0V$ to $3.6V$, $T_A = TL$ to TH , and $CL = 30pF$ with $DSC = 0b10$, $SRC = 0b11$. See Table 21 for functional specifications.

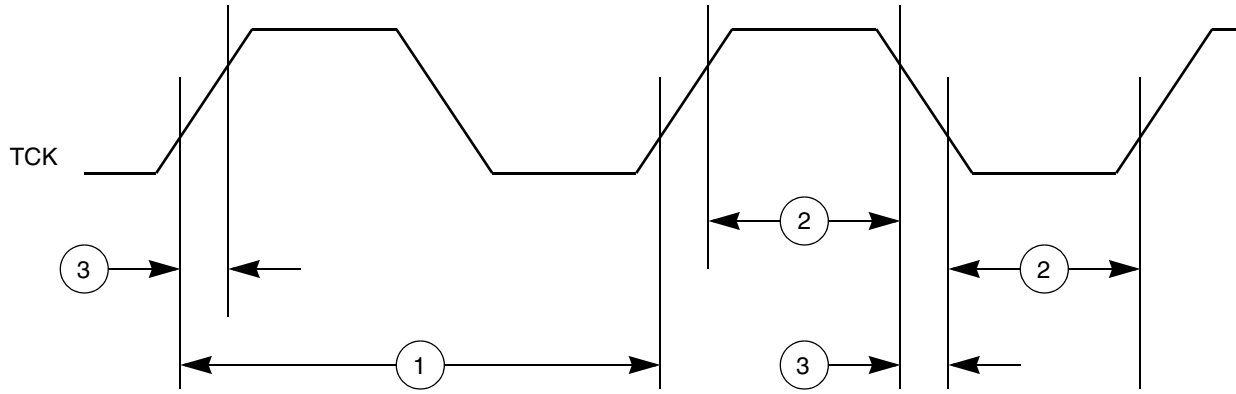


Figure 5. JTAG Test Clock Input Timing

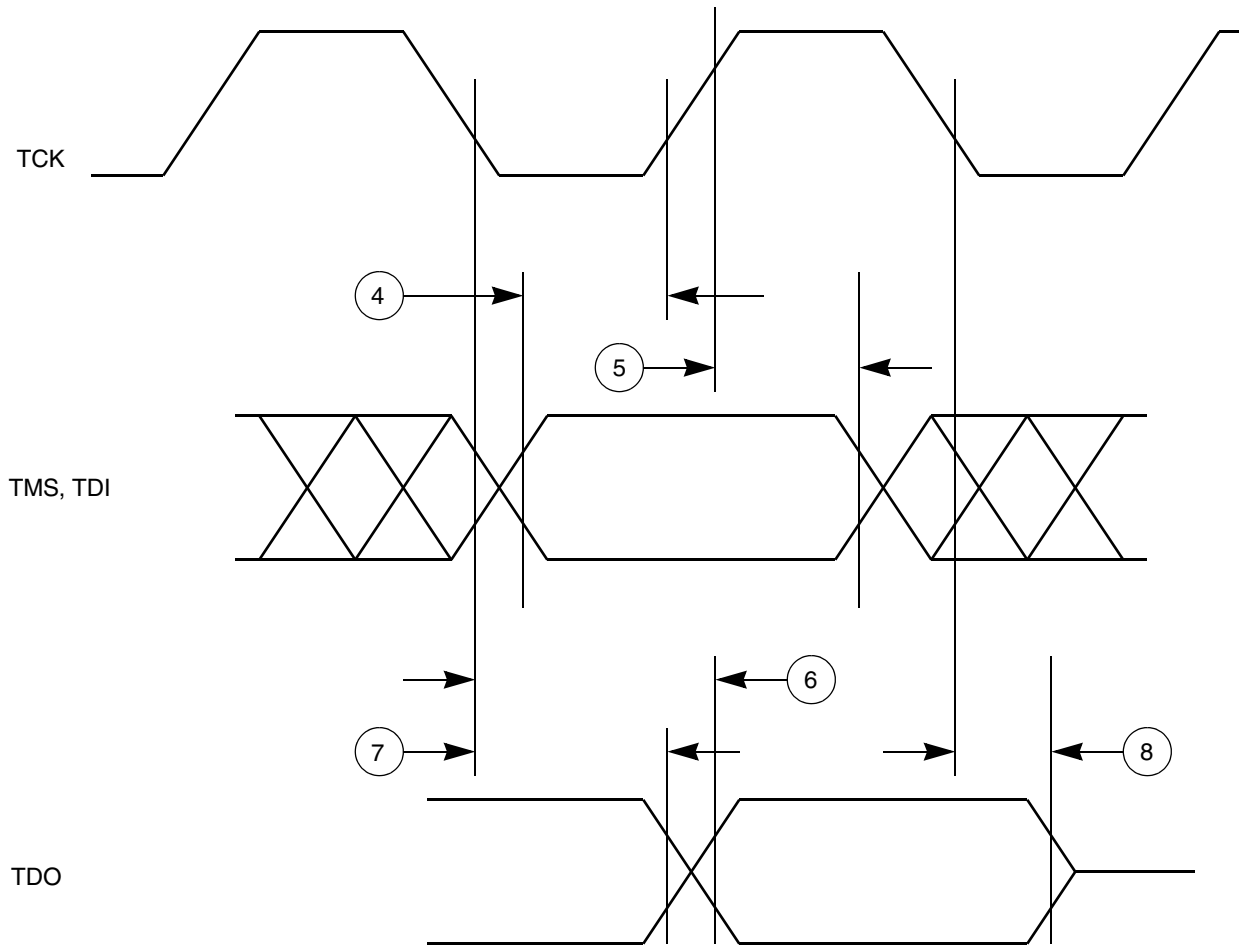


Figure 6. JTAG Test Access Port Timing

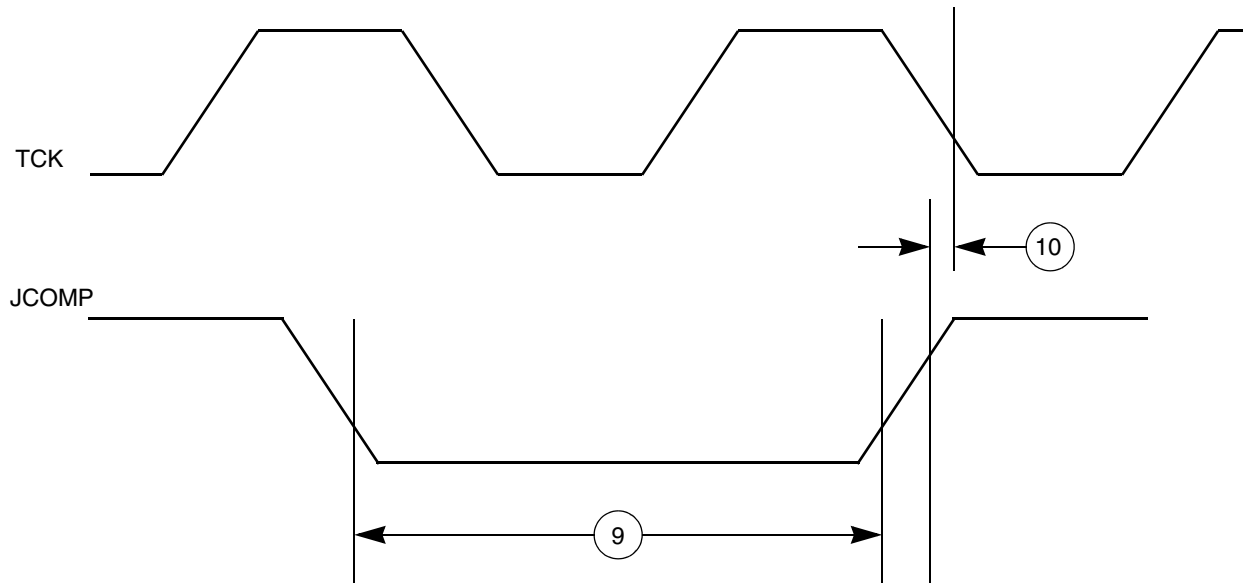


Figure 7. JTAG JCOMP Timing

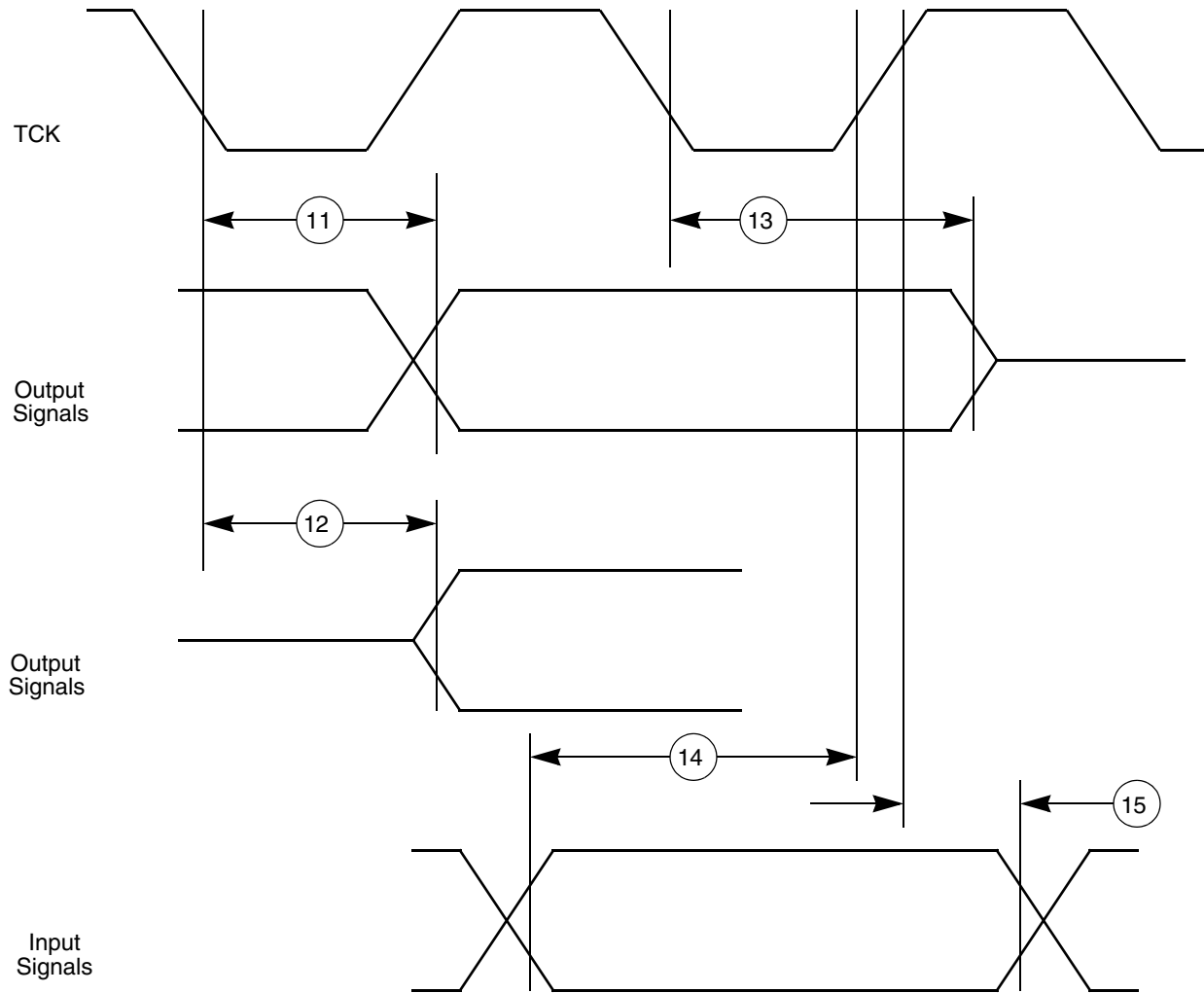


Figure 8. JTAG Boundary Scan Timing

3.13.3 Nexus Timing

Table 21. Nexus Debug Port Timing¹

| Num | Characteristic | Symbol | Min | Max | Unit |
|-----|--|------------------------|----------------|---------|-------------|
| 1 | MCKO Cycle Time | t_{MCCYC} | 1 ² | 8 | t_{CYC} |
| 2 | MCKO Duty Cycle | t_{MDC} | 40 | 60 | % |
| 3 | MCKO Low to MDO Data Valid ³ | t_{MDOV} | -1.5 | 3.0 | ns |
| 4 | MCKO Low to \overline{MSEO} Data Valid ³ | t_{MSEOV} | -1.5 | 3.0 | ns |
| 5 | MCKO Low to $\overline{EVT0}$ Data Valid ³ | t_{EVT0V} | -1.5 | 3.0 | ns |
| 6 | \overline{EVTI} Pulse Width | t_{EVTIPW} | 4.0 | — | t_{TCYC} |
| 7 | $\overline{EVT0}$ Pulse Width | t_{EVTOPW} | 1 | — | t_{MCCYC} |
| 8 | TCK Cycle Time | t_{TCYC} | 4 ⁴ | — | t_{CYC} |
| 9 | TCK Duty Cycle | t_{TDC} | 40 | 60 | % |
| 10 | TDI, TMS Data Setup Time | t_{NTDIS}, t_{NTMSS} | 8 | — | ns |
| 11 | TDI, TMS Data Hold Time | t_{NTDIH}, t_{NTMSH} | 5 | — | ns |
| 12 | TCK Low to TDO Data Valid VDDE = 2.25 to 3.0 volts VDDE = 3.0 to 3.6 volts | t_{JOV} | 0 0 | 12 9 | ns ns |
| 13 | \overline{RDY} Valid to MCKO ⁵ | — | — | — | — |

¹ JTAG specifications in this table apply when used for debug functionality. All Nexus timing relative to MCKO is measured from 50% of MCKO and 50% of the respective signal. Nexus timing specified at VDD = 1.35V to 1.65V, VDDE = 2.25V to 3.6V, VDD33 and VDDSYN = 3.0V to 3.6V, T_A = TL to TH, and CL = 30pF with DSC = 0b10.

² The Nexus AUX port can only run up to 82MHz. The NPC_PCR[MCKO_DIV] must be set to divide by 2 if the system frequency is above 82MHz

³ MDO, \overline{MSEO} , and $\overline{EVT0}$ data is held valid until next MCKO low cycle.

⁴ The maximum frequency must be limited to approximately 16 MHz (VDDE= 2.25 to 3.0 volts) or 22 MHz (VDDE= 3.0 to 3.6 volts) to meet the timing specification for t_{JOV} of 0.2 x t_{JCYC} as outlined in the IEEE-ISTO 5001-2003 specification.

⁵ The \overline{RDY} pin timing is asynchronous to MCKO. The timing is guaranteed by design to function correctly.

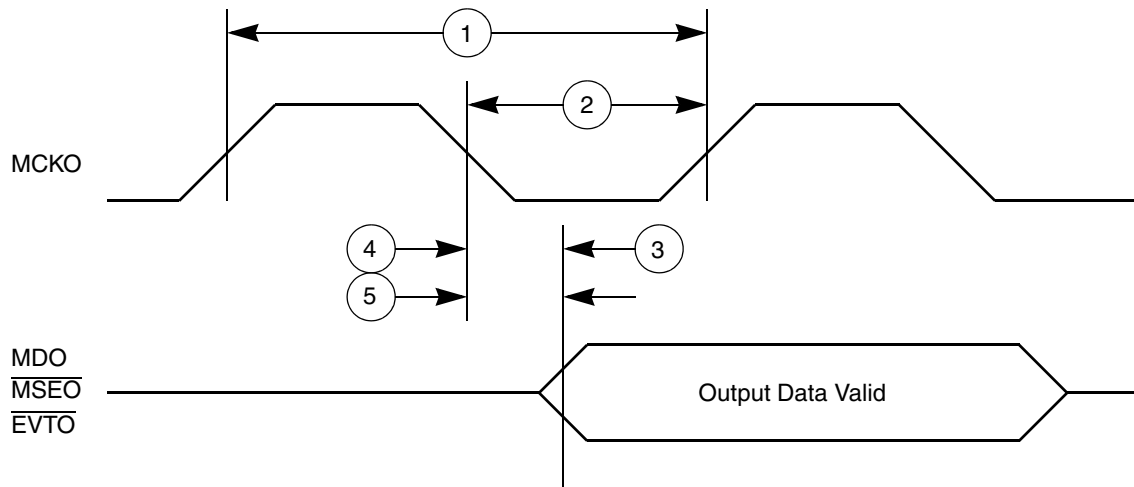


Figure 9. Nexus Output Timing

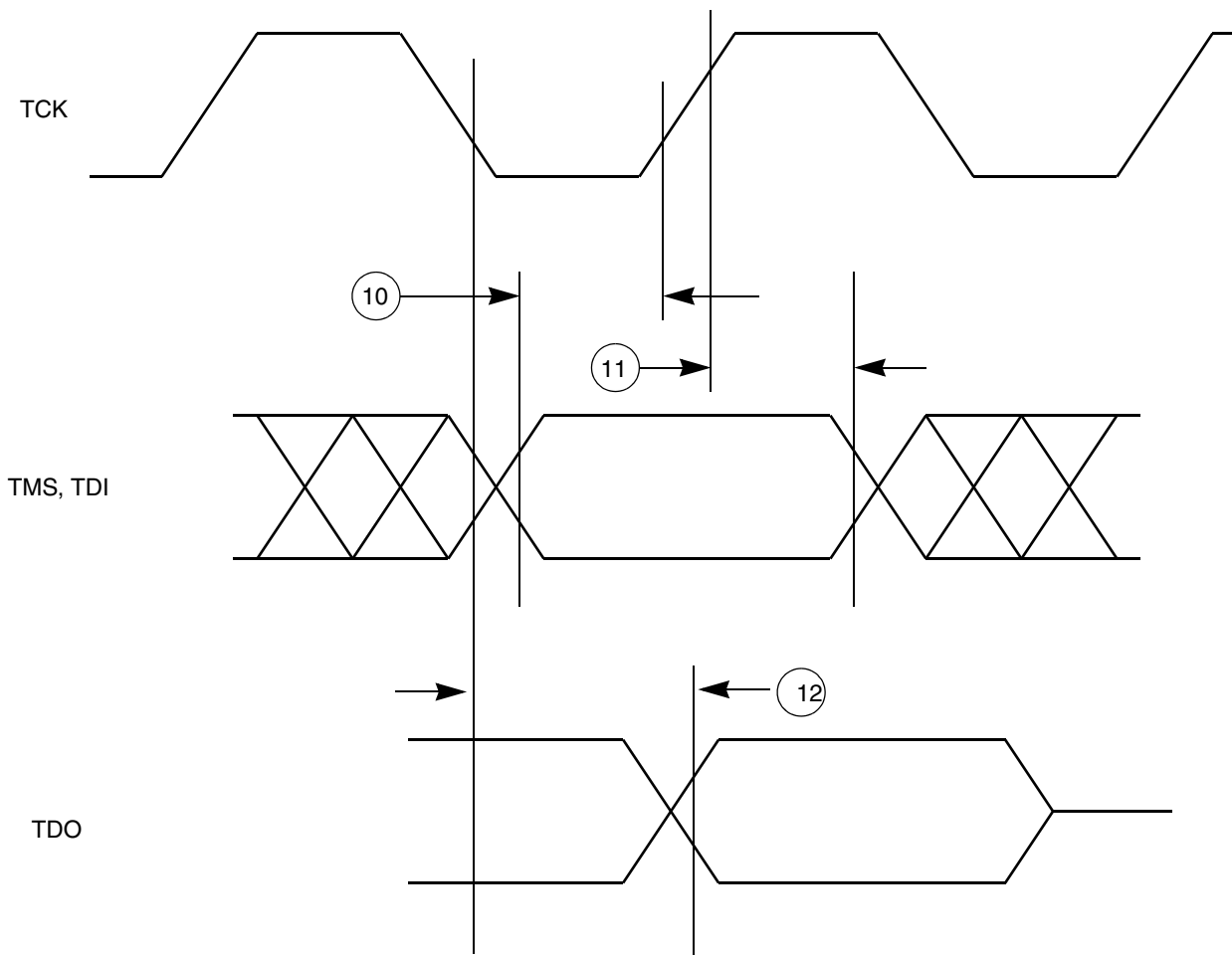


Figure 10. Nexus TDI, TMS, TDO Timing

3.13.4 External Bus Interface (EBI) Timing

Table 22. Bus Operation Timing¹

| # | Characteristic/Description | Symbol | 40 MHz (ext. bus) ² | | 56 MHz (ext. bus) ² | | 66 MHz (ext. bus) ² | | Unit | Notes |
|---|--|-----------|-----------------------------------|-----------------------------|-----------------------------------|---------------------------|-----------------------------------|---------------------------|-------|---|
| | | | Min | Max | Min | Max | Min | Max | | |
| 1 | CLKOUT Period | T_C | 25.0 | — | 17.9 | — | 15.2 | — | ns | Signals are measured at 50% VDDE. |
| 2 | CLKOUT duty cycle | t_{CDC} | 45% | 55% | 45% | 55% | 45% | 55% | T_C | |
| 3 | CLKOUT rise time | t_{CRT} | — | — ³ | — | — ³ | — | — ³ | ns | |
| 4 | CLKOUT fall time | t_{CFT} | — | — ³ | — | — ³ | — | — ³ | ns | |
| 5 | CLKOUT Positive Edge to Output Signal Invalid or High Z (Hold Time) ADDR[8:31] BDIP BG ⁴ BR ⁵ CS[0:3] DATA[0:31] OE RD_WR TA TEA TS TSIZ[0:1] WE[0:3]/BE[0:3] | t_{COH} | 1.0 ⁶ / 1.5 | — | 1.0 ⁶ / 1.5 | — | 1.0 ⁶ / 1.5 | — | ns | Hold time selectable via SIU_ECCR[EBTS] bit: EBTS=0/EBTS=1 |
| 6 | CLKOUT Posedge to Output Signal Valid (Output Delay) ADDR[8:31] BDIP BG ⁴ BR ⁵ CS[0:3] DATA[0:31] OE RD_WR TA TEA TS TSIZ[0:1] WE[0:3]/BE[0:3] | t_{COV} | — | 10.0 ⁶ / 11.0 | — | 7.5 ⁶ / 8.5 | — | 6.0 ⁶ / 7.0 | ns | Output valid time selectable via SIU_ECCR[EBTS] bit: EBTS=0/EBTS=1 |

Table 22. Bus Operation Timing¹ (continued)

| # | Characteristic/Description | Symbol | 40 MHz (ext. bus) ² | | 56 MHz (ext. bus) ² | | 66 MHz (ext. bus) ² | | Unit | Notes |
|---|---|------------------|-----------------------------------|-----|-----------------------------------|-----|-----------------------------------|-----|------|-------|
| | | | Min | Max | Min | Max | Min | Max | | |
| 7 | Input Signal Valid to CLKOUT Posedge (Setup Time) ADDR[8:31] BB BG ⁵ BR ⁵ DATA[0:31] RD_W \overline{R} TA TEA TS TSIZ[0:1] | t _{CIS} | 10.0 | — | 7.0 | — | 5.0 | — | ns | |
| 8 | CLKOUT Posedge to Input Signal Invalid (Hold Time) ADDR[8:31] BB BG ⁵ BR ⁵ DATA[0:31] RD_W \overline{R} TA TEA TS TSIZ[0:1] | t _{CIH} | 1.0 | — | 1.0 | — | 1.0 | — | ns | |

¹ EBI timing specified at VDD = 1.35V to 1.65V, VDDE = 1.6V to 3.6V (unless stated otherwise), VDD33 and VDDSYN = 3.0V to 3.6V, T_A = TL to TH, and CL = 30pF with DSC = 0b10.

² The external bus is limited to half the speed of the internal bus.

³ Refer to Fast Pad timing in Table 17 and Table 18 (different values for 1.8V vs 3.3V).

⁴ Internal Arbitration

⁵ External Arbitration

⁶ The EBTS=0 timings are only valid/ tested at VDDE=2.25-3.6V, whereas EBTS=1 timings are valid/tested at 1.6–3.6V.

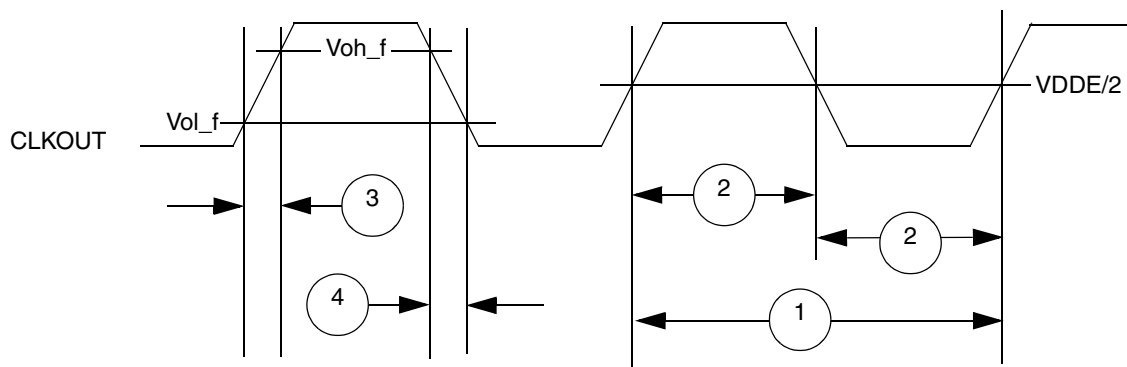


Figure 11. CLKOUT Timing

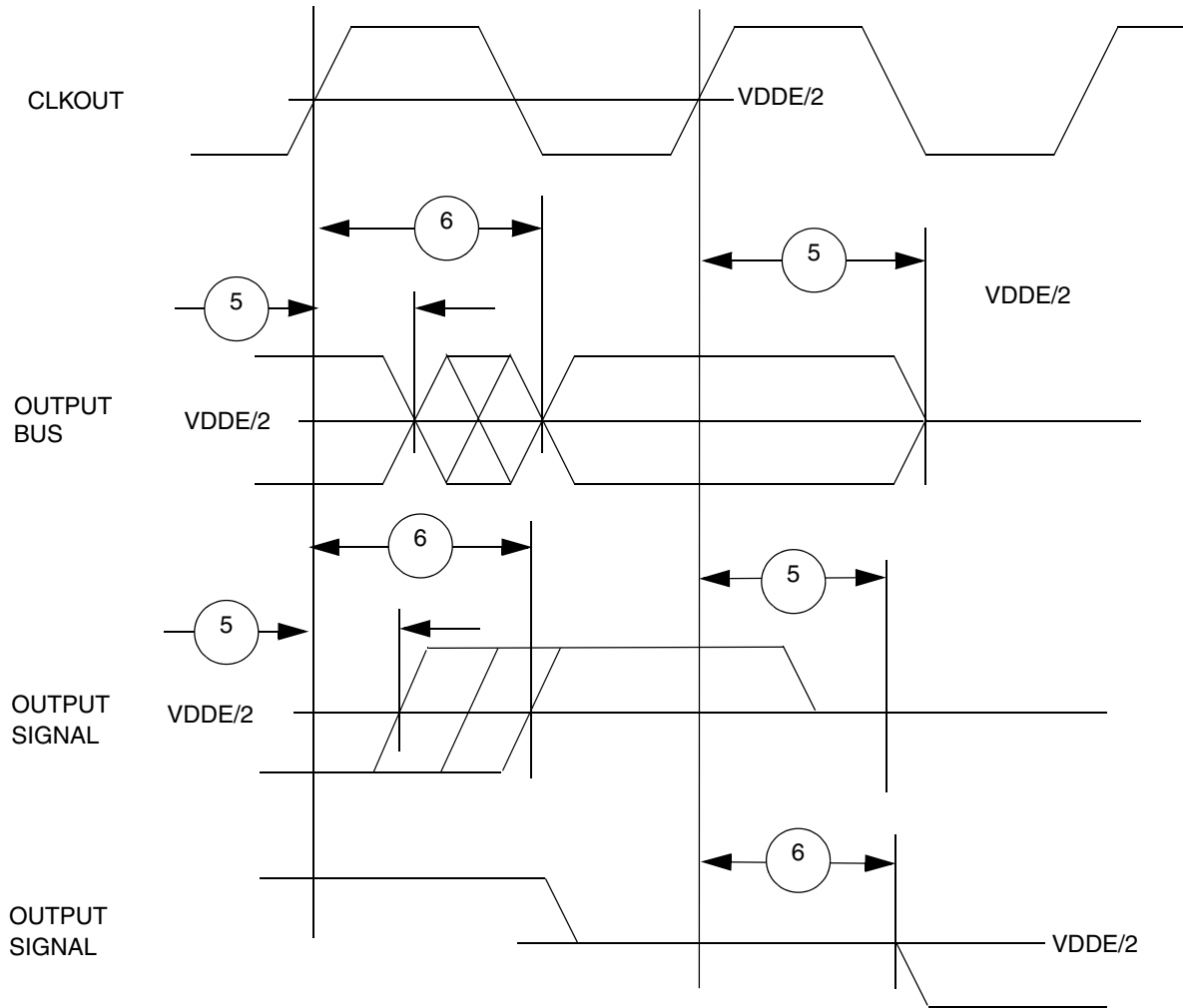


Figure 12. Synchronous Output Timing

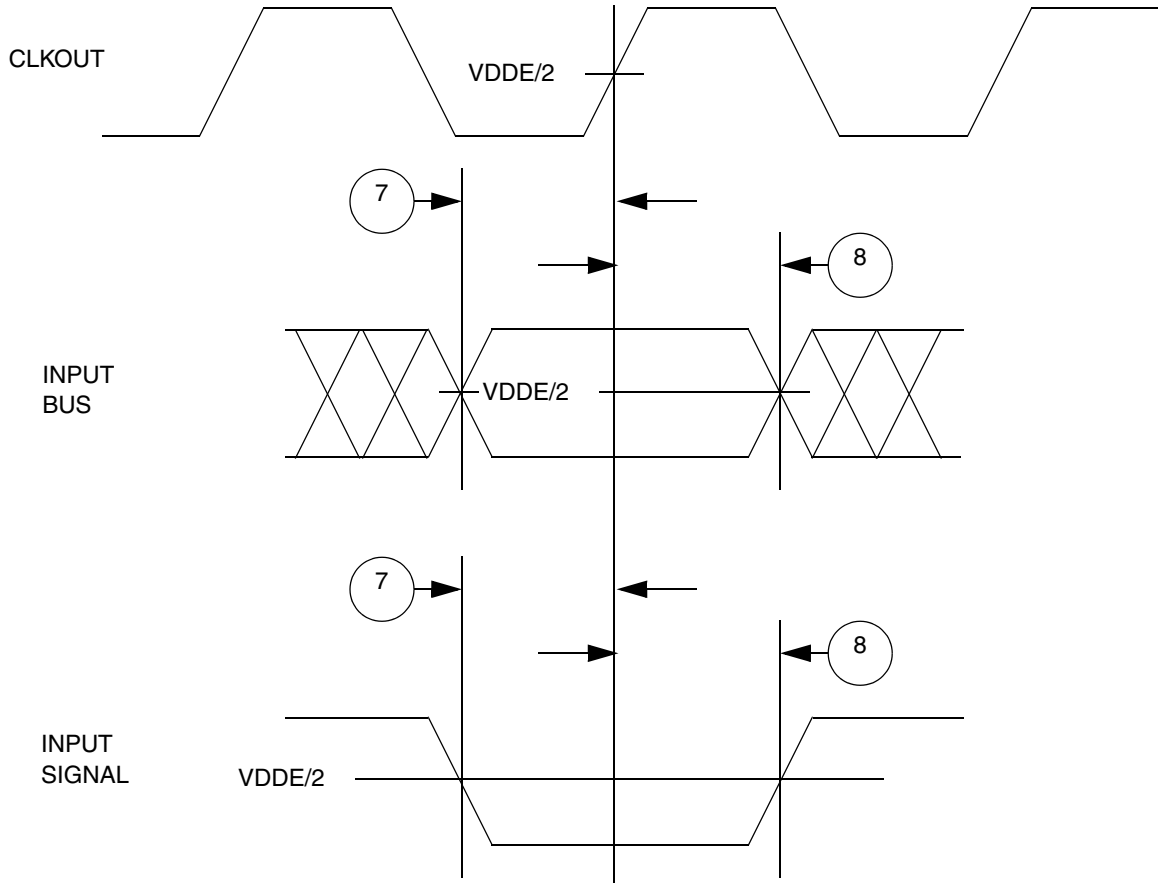


Figure 13. Synchronous Input Timing

3.13.5 External Interrupt Timing (IRQ Pin)

Table 23. External Interrupt Timing¹

| Num | Characteristic | Symbol | Min | Max | Unit |
|-----|------------------------------------|------------|-----|-----|-----------|
| 1 | IRQ Pulse Width Low | t_{IPWL} | 3 | — | t_{CYC} |
| 2 | IRQ Pulse Width High | T_{IPWH} | 3 | — | t_{CYC} |
| 3 | IRQ Edge to Edge Time ² | t_{ICYC} | 6 | — | t_{CYC} |

¹ IRQ timing specified at $F_{SYS} = 80\text{MHz}$, $V_{DD} = 1.35\text{V}$ to 1.65V , $V_{DDEH} = 3.0\text{V}$ to 5.5V , V_{DD33} and $V_{DDSYN} = 3.0\text{V}$ to 3.6V , $T_A = TL$ to TH , and $CL = 200\text{pF}$ with $SRC = 0b11$.

² Applies when IRQ pins are configured for rising edge or falling edge events, but not both.

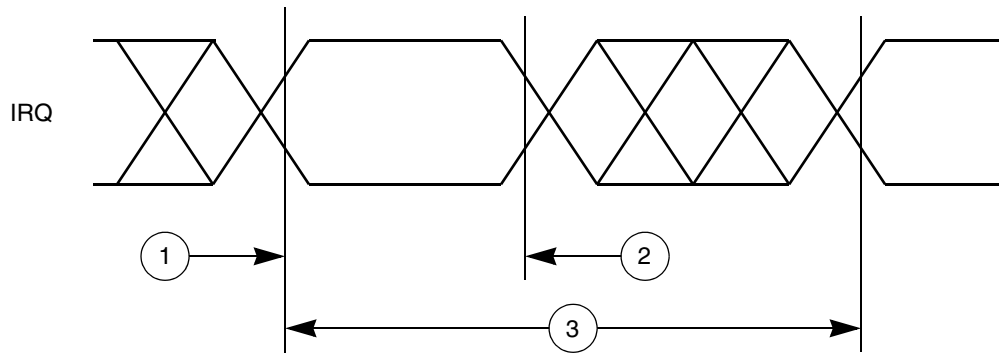


Figure 14. External Interrupt Timing

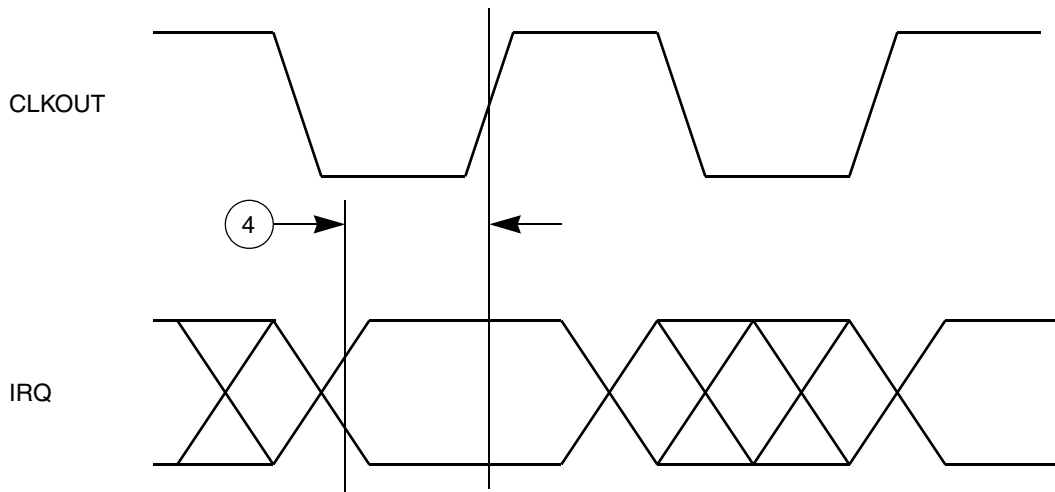


Figure 15. External Interrupt Setup Timing

3.13.6 eTPU Timing

Table 24. eTPU Timing¹

| Num | Characteristic | Symbol | Min | Max | Unit |
|-----|---------------------------------|------------|-----|-----|-----------|
| 1 | eTPU Input Channel Pulse Width | t_{ICPW} | 4 | — | t_{CYC} |
| 2 | eTPU Output Channel Pulse Width | t_{OCPW} | 2 | — | t_{CYC} |

¹ eTPU timing specified at $F_{SYS} = 80\text{MHz}$, $V_{DD} = 1.35\text{V}$ to 1.65V , $V_{DDEH} = 3.0\text{V}$ to 5.5V , V_{DD33} and $V_{DDSYN} = 3.0\text{V}$ to 3.6V , $T_A = T_L$ to T_H , and $C_L = 200\text{pF}$ with $SRC = 0b11$.

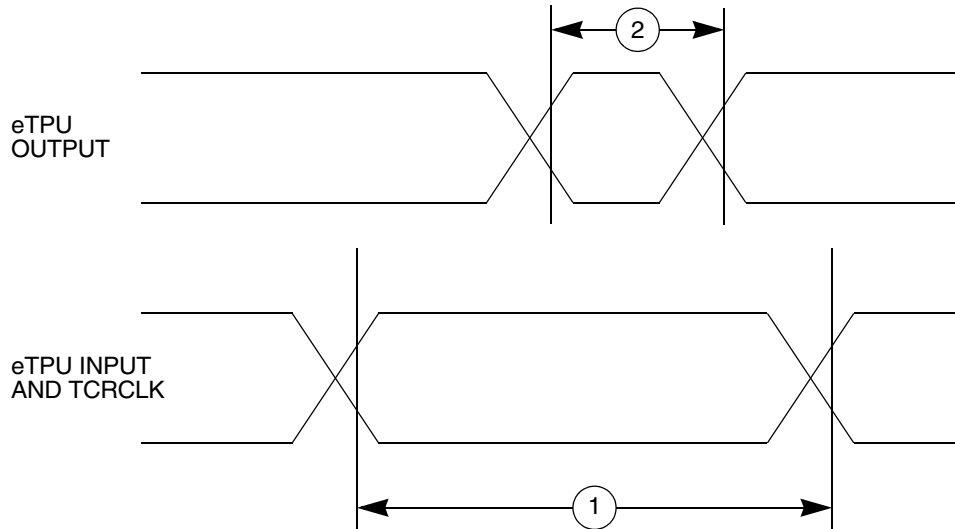


Figure 16. eTPU Timing

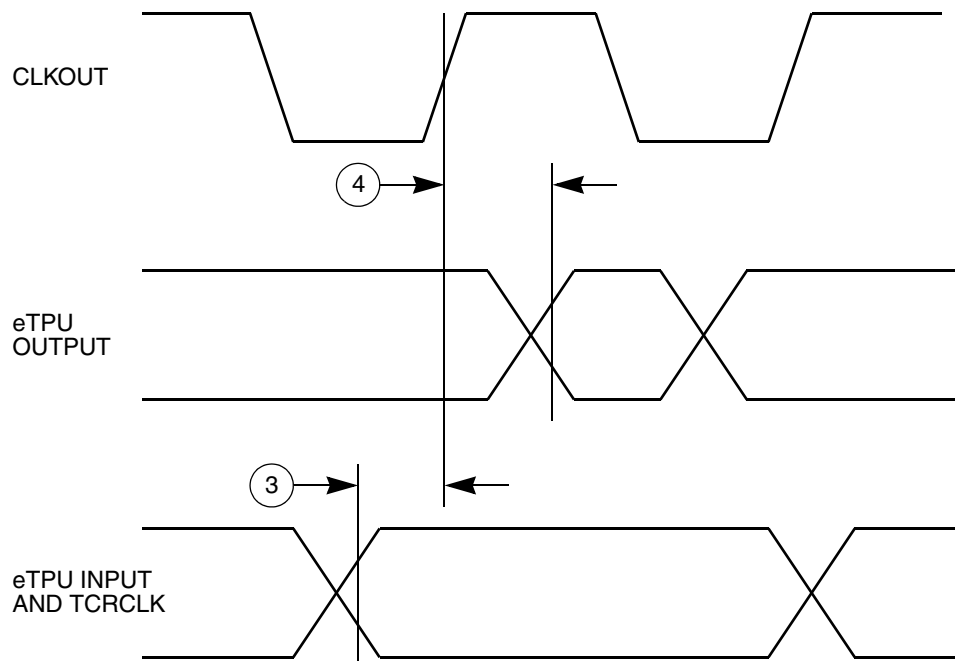


Figure 17. eTPU Input/Output Timing

3.13.7 eMIOS (MTS) Timing

Table 25. MTS Timing¹

| Num | Characteristic | Symbol | Min | Max | Unit |
|-----|--------------------------------|------------|-----|-----|-----------|
| 1 | eMIOS (MTS) Input Pulse Width | t_{MIPW} | 4 | — | t_{CYC} |
| 2 | eMIOS (MTS) Output Pulse Width | t_{MOPW} | 1 | — | t_{CYC} |

¹ MTS timing specified at $F_{SYS} = 80\text{MHz}$, $V_{DD} = 1.35\text{V}$ to 1.65V , $V_{DDEH} = 3.0\text{V}$ to 5.5V , V_{DD33} and $V_{DDSYN} = 3.0\text{V}$ to 3.6V , $T_A = TL$ to TH , and $CL = 50\text{pF}$ with $SRC = 0b11$.

3.13.8 DSPI Timing

Table 26. DSPI Timing¹

| Num | Characteristic | Symbol | 40 MHz | | 66 MHz | | 80 MHz | | Unit |
|-----------------------------|--|------------|--------------------------|--------------------------|--------|-------|--------|-------|------|
| | | | Min | Max | Min | Max | Min | Max | |
| 1 | SCK Cycle Time ^{2,3} | t_{SCK} | 25ns | 2.9ms | 17.9ns | 2.0ms | 15.2ns | 1.7ms | — |
| 2 | PCS to SCK Delay ⁴ | t_{CSC} | 23 | — | 15 | — | 13 | — | ns |
| 3 | After SCK Delay ⁵ | t_{ASC} | 22 | — | 14 | — | 12 | — | ns |
| 4 | SCK Duty Cycle | t_{SDC} | $t_{SCK}/2 - 2\text{ns}$ | $t_{SCK}/2 + 2\text{ns}$ | — | — | — | — | ns |
| 5 | Slave Access Time (\overline{SS} active to SOUT driven) | t_A | — | 25 | — | 25 | — | 25 | ns |
| 6 | Slave SOUT Disable Time (\overline{SS} inactive to SOUT High-Z or invalid) | t_{DIS} | — | 25 | — | 25 | — | 25 | ns |
| 7 | PCSx to \overline{PCSS} time | t_{PCSC} | 4 | — | 4 | — | 4 | — | ns |
| 8 | \overline{PCSS} to PCSx time | t_{PASC} | 5 | — | 5 | — | 5 | — | ns |
| 9 | Data Setup Time for Inputs | t_{SUI} | 20 | — | 20 | — | 20 | — | ns |
| | Master (MTFE = 0) | | | | | | | | |
| | Slave | | | | | | | | |
| | Master (MTFE = 1, CPHA = 0) ⁶ | | | | | | | | |
| Master (MTFE = 1, CPHA = 1) | 20 | — | 20 | — | 20 | — | ns | | |
| 10 | Data Hold Time for Inputs | t_{HI} | -4 | — | -4 | — | -4 | — | ns |
| | Master (MTFE = 0) | | | | | | | | |
| | Slave | | | | | | | | |
| | Master (MTFE = 1, CPHA = 0) ⁶ | | | | | | | | |
| Master (MTFE = 1, CPHA = 1) | -4 | — | -4 | — | -4 | — | ns | | |

Table 26. DSPI Timing¹ (continued)

| Num | Characteristic | Symbol | 40 MHz | | 66 MHz | | 80 MHz | | Unit |
|-----|-----------------------------|-----------|--------|-----|--------|-----|--------|-----|------|
| | | | Min | Max | Min | Max | Min | Max | |
| 11 | Data Valid (after SCK edge) | t_{SU0} | | | | | | | |
| | Master (MTFE = 0) | | — | 5 | — | 5 | — | 5 | ns |
| | Slave | | — | 25 | — | 25 | — | 25 | ns |
| | Master (MTFE = 1, CPHA=0) | | — | 18 | — | 14 | — | 13 | ns |
| | Master (MTFE = 1, CPHA=1) | | — | 5 | — | 5 | — | 5 | ns |
| 12 | Data Hold Time for Outputs | t_{HO} | | | | | | | |
| | Master (MTFE = 0) | | -5 | — | -5 | — | -5 | — | ns |
| | Slave | | 5.5 | — | 5.5 | — | 5.5 | — | ns |
| | Master (MTFE = 1, CPHA = 0) | | 8 | — | 4 | — | 3 | — | ns |
| | Master (MTFE = 1, CPHA = 1) | | -5 | — | -5 | — | -5 | — | ns |

- ¹ DSPI timing specified at VDD = 1.35V to 1.65V, VDDEH = 3.0V to 5.5V, VDD33 and VDDSYN = 3.0V to 3.6V, T_A = TL to TH, and CL = 50pF with SRC = 0b11.
- ² The minimum SCK Cycle Time restricts the baud rate selection for given system clock rate. These numbers are calculated based on two MPC55xx devices communicating over a DSPI link.
- ³ The actual minimum SCK Cycle Time is limited by pad performance.
- ⁴ The maximum value is programmable in DSPI_CTARx[PSSCK] and DSPI_CTARx[CSSCK]
- ⁵ The maximum value is programmable in DSPI_CTARx[PASC] and DSPI_CTARx[ASC]
- ⁶ This number is calculated assuming the SMPL_PT bit field in DSPI_MCR is set to 0b10.

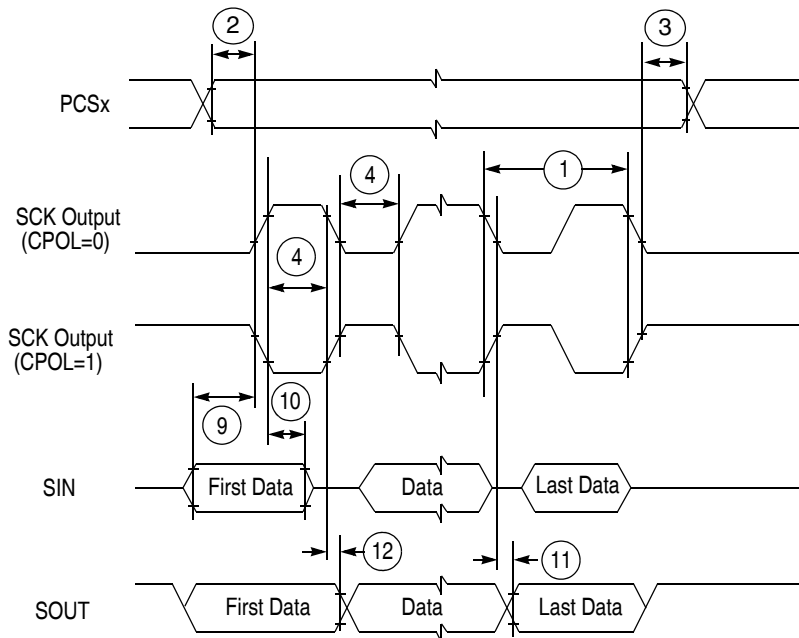


Figure 18. DSPI Classic SPI Timing — Master, CPHA = 0

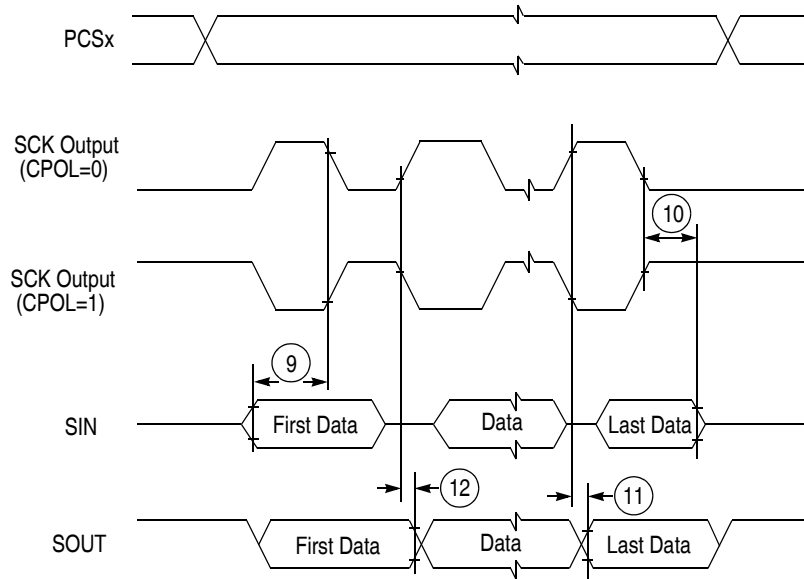


Figure 19. DSPI Classic SPI Timing — Master, CPHA = 1

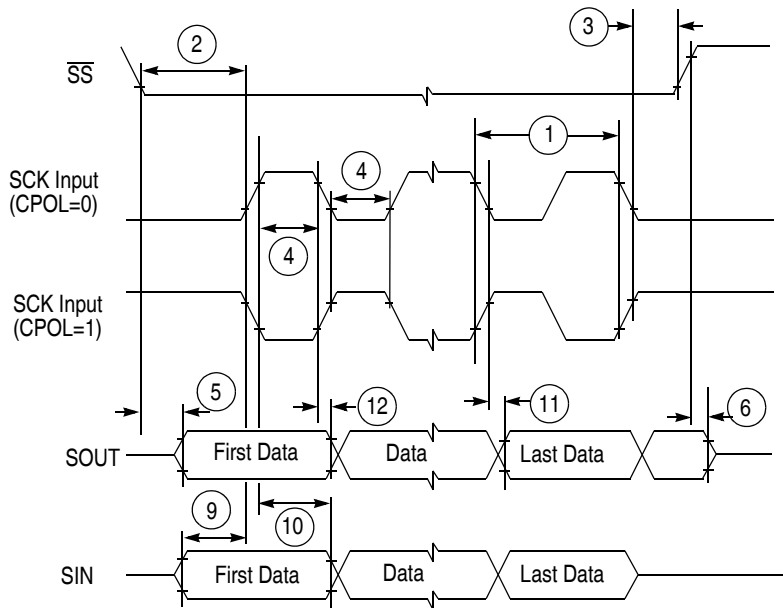


Figure 20. DSPI Classic SPI Timing — Slave, CPHA = 0

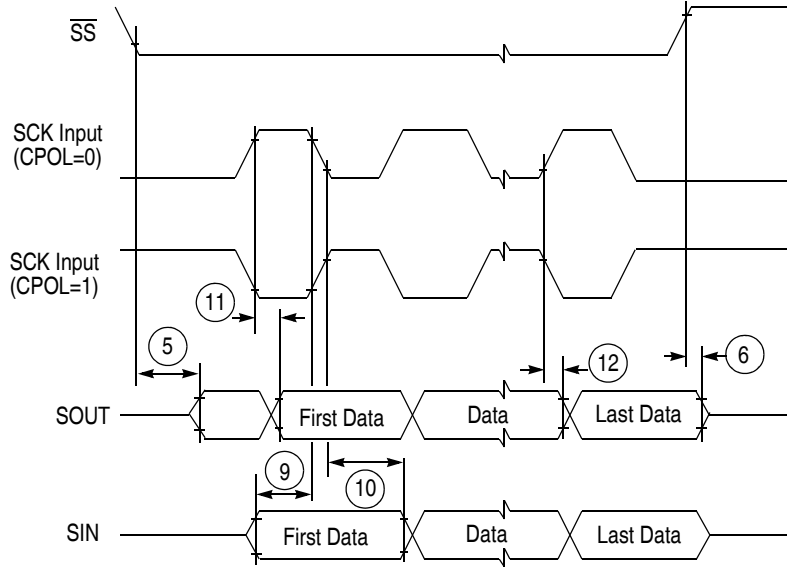


Figure 21. DSPI Classic SPI Timing — Slave, CPHA = 1

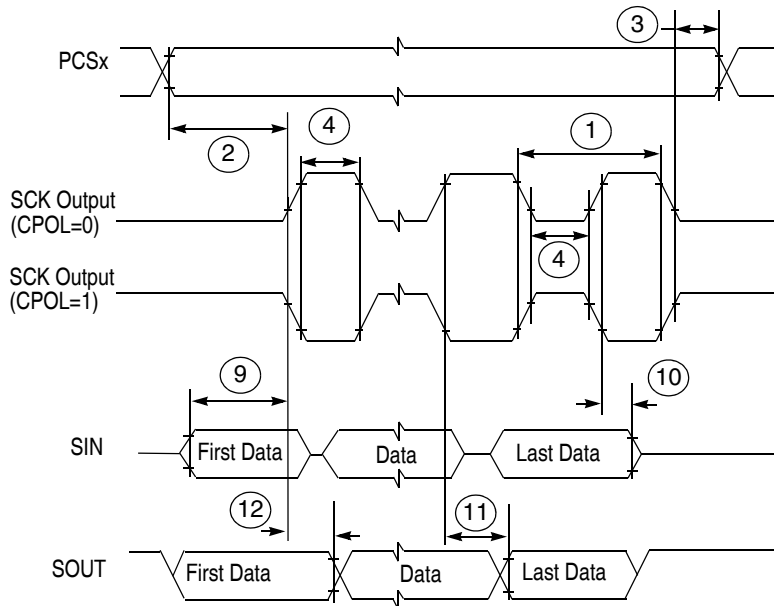


Figure 22. DSPI Modified Transfer Format Timing — Master, CPHA = 0

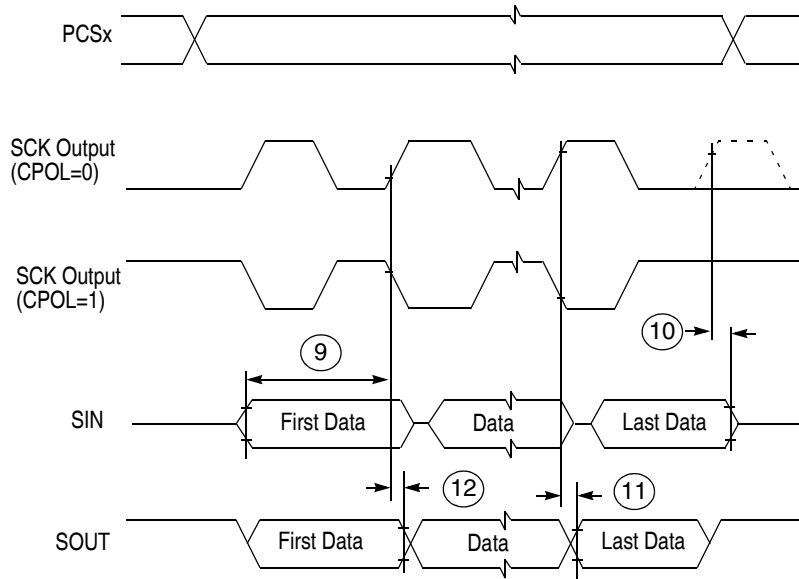


Figure 23. DSPI Modified Transfer Format Timing — Master, CPHA = 1

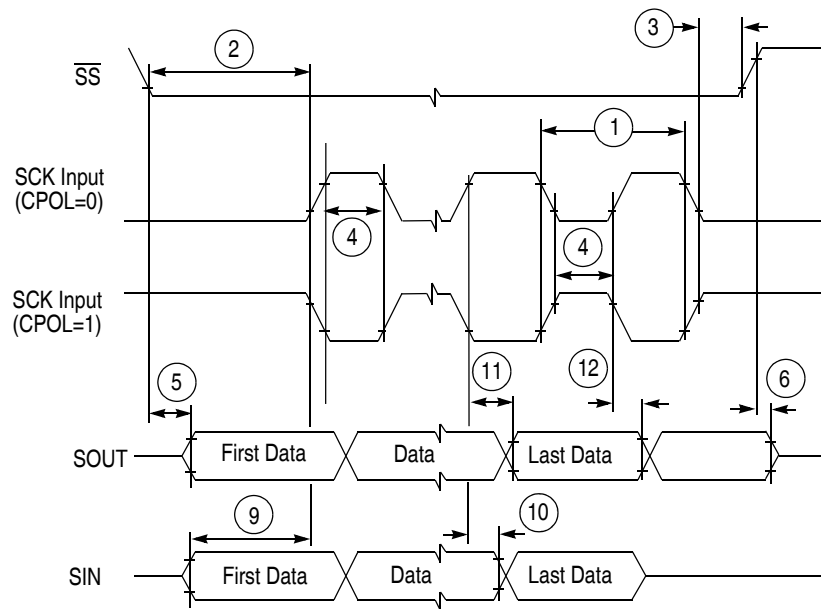


Figure 24. DSPI Modified Transfer Format Timing — Slave, CPHA = 0

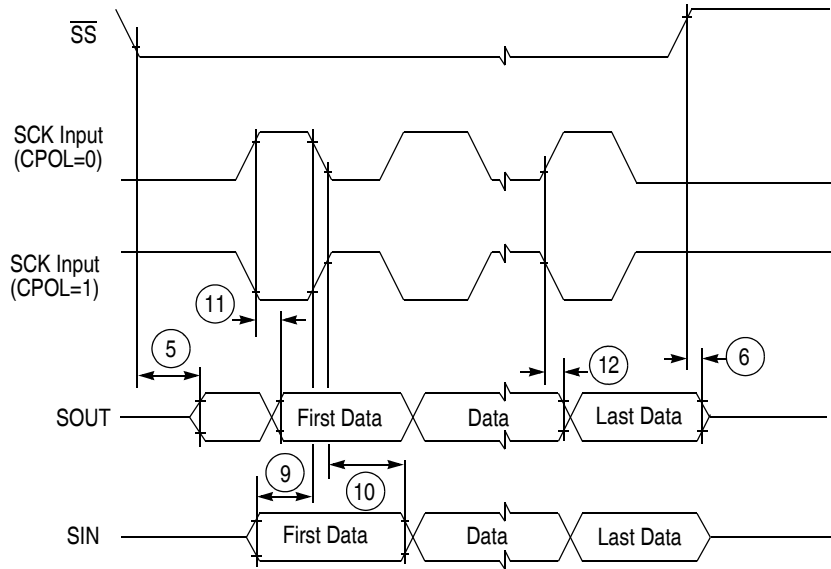


Figure 25. DSPI Modified Transfer Format Timing — Slave, CPHA =1

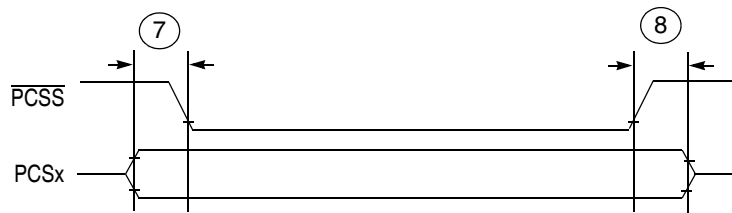


Figure 26. DSPI PCS Strobe (\overline{PCSS}) Timing

3.13.9 eQADC SSI Timing

Table 27. EQADC SSI Timing Characteristics (pads at 3.3V or at 5.0V) ¹

CLOAD = 25pF on all outputs. Pad drive strength set to maximum.

| Num | Rating | Symbol | Min | Typ | Max | Unit |
|-----|--------------------------------------|---------------|----------------------|-----|--------------------------|----------------|
| 1 | FCK Frequency ^{2,3} | f_{FCK} | 1/17 | — | 1/2 | f_{SYS_CLK} |
| 2 | FCK Period ($t_{FCK} = 1/f_{FCK}$) | t_{FCK} | 2 | — | 17 | t_{SYS_CLK} |
| 3 | Clock (FCK) High Time | t_{FCKHT} | $t_{SYS_CLK} - 6.5$ | — | $9 * t_{SYS_CLK} + 6.5$ | ns |
| 4 | Clock (FCK) Low Time | t_{FCKLT} | $t_{SYS_CLK} - 6.5$ | — | $8 * t_{SYS_CLK} + 6.5$ | ns |
| 5 | SDS Lead/Lag Time | t_{SDS_LL} | -7.5 | — | +7.5 | ns |
| 6 | SDO Lead/Lag Time | t_{SDO_LL} | -7.5 | — | +7.5 | ns |
| 7 | EQADC Data Setup Time (Inputs) | t_{EQ_SU} | 22 | — | — | ns |
| 8 | EQADC Data Hold Time (Inputs) | t_{EQ_HO} | 1 | — | — | ns |

¹ SS timing specified at $F_{SYS} = 80\text{MHz}$, $VDD = 1.35\text{V}$ to 1.65V , $VDDEH = 3.0\text{V}$ to 5.5V , $VDD33$ and $VDDSYN = 3.0\text{V}$ to 3.6V , $T_A = TL$ to TH , and $CL = 50\text{pF}$ with $SRC = 0b11$.

² Maximum operating frequency is highly dependent on track delays, master pad delays, and slave pad delays.

³ FCK duty is not 50% when it is generated through the division of the system clock by an odd number.

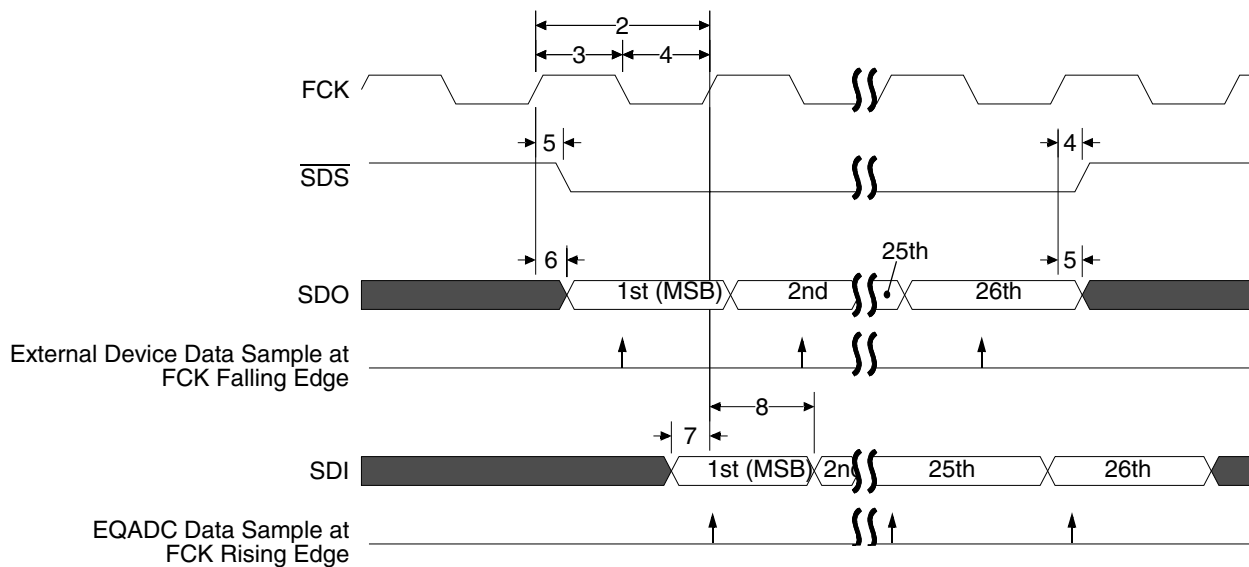


Figure 27. EQADC SSI Timing

4 Mechanicals

4.1 Pinouts

4.1.1 MPC5534 324 PBGA Pinout

Figure 28 is a pinout for the MPC5534 324 PBGA package.

| | | | | | | | | | | | | | | | | | | | | | | | | | |
|----|----------|----------|----------|----------|--------|--------|----------|---------|----------|----------|---------|---------|----------|----------|----------|----------|----------|----------|-------|----------|----------|-----------|-----------|---------|---|
| | 1 | 2 | 3 | 4 | 5 | 6 | 7 | 8 | 9 | 10 | 11 | 12 | 13 | 14 | 15 | 16 | 17 | 18 | 19 | 20 | 21 | 22 | | | |
| A | VSS | VDD | VSTBY | AN37 | AN11 | VDDA1 | VSSA1 | AN1 | AN5 | VRH | VRL | AN27 | AN28 | AN35 | VSSA0 | AN12 | MDO11 | MDO10 | MDO8 | VDD | VDD33 | VSS | A | | |
| B | VDD33 | VSS | VDD | AN36 | AN39 | AN19 | AN16 | AN0 | AN4 | REF BYPC | AN23 | AN26 | AN31 | AN32 | VSSA0 | AN13 | MDO9 | MDO7 | MDO4 | MDO0 | VSS | VDDE7 | B | | |
| C | ETPUA 30 | ETPUA 31 | VSS | VDD | AN8 | AN17 | AN20 | AN21 | AN3 | AN7 | AN22 | AN25 | AN30 | AN33 | VDDA0 | AN14 | MDO5 | MDO2 | MDO1 | VSS | VDDE7 | VDD | C | | |
| D | ETPUA 28 | ETPUA 29 | ETPUA 26 | VSS | VDD | AN38 | AN9 | AN10 | AN18 | AN2 | AN6 | AN24 | AN29 | AN34 | VDDEH 9 | AN15 | MDO6 | MDO3 | VSS | VDDE7 | TCK | TDI | D | | |
| E | ETPUA 24 | ETPUA 27 | ETPUA 25 | ETPUA 21 | | | | | | | | | | | | | | | | VDDE7 | TMS | TDO | TEST | E | |
| F | ETPUA 23 | ETPUA 22 | ETPUA 17 | ETPUA 18 | | | | | | | | | | | | | | | | VDDE7 | JCOMP | EVTI | EVTO | F | |
| G | ETPUA 20 | ETPUA 19 | ETPUA 14 | ETPUA 13 | | | | | | | | | | | | | | | | | RDY | MCKO | MSEO0 | MSEO1 | G |
| H | ETPUA 16 | ETPUA 15 | ETPUA 10 | VDDEH 1 | | | | | | | | | | | | | | | | VDDEH 10 | GPIO 203 | GPIO 204 | SINB | H | |
| J | ETPUA 12 | ETPUA 11 | ETPUA 6 | ETPUA 9 | | | | | | VSS | VSS | VSS | VSS | VSS | VDDE7 | | | | | SOUTB | PCSB3 | PCSB0 | PCSB1 | J | |
| K | ETPUA 8 | ETPUA 7 | ETPUA 2 | ETPUA 5 | | | | | | VSS | VSS | VSS | VSS | VSS | VSS | | | | | PCSA3 | PCSB4 | SCKB | PCSB2 | K | |
| L | ETPUA 4 | ETPUA 3 | ETPUA 0 | ETPUA 1 | | | | | | VSS | VSS | VSS | VSS | VSS | VSS | | | | | PCSB5 | SOUTA | SINA | SCKA | L | |
| M | BDIP | TCRCLK A | CS1 | CS0 | | | | | | VDDE2 | VDDE2 | VSS | VSS | VSS | VSS | | | | | PCSA1 | PCSA0 | PCSA2 | VPP | M | |
| N | CS3 | CS2 | WE1 | WE0 | | | | | | VSS | VSS | VDDE2 | VSS | VSS | VSS | | | | | PCSA4 | TXDA | PCSA5 | VFLASH | N | |
| P | ADDR 16 | ADDR 17 | RD_WR | VDD33 | | | | | | VSS | VSS | VDDE2 | VSS | VSS | VSS | | | | | CNTXC | RXDA | RSTOUT | RST CFG | P | |
| R | ADDR 18 | ADDR 19 | VDDE2 | TA | | | | | | | | | | | | | | | | | WKP CFG | CNRXC | TXDB | RESET | R |
| T | ADDR 20 | ADDR 21 | ADDR 12 | TS | | | | | | | | | | | | | | | | | RXDB | BOOT CFG1 | VRC VSS | VSS SYN | T |
| U | ADDR 22 | ADDR 23 | ADDR 13 | ADDR 14 | | | | | | | | | | | | | | | | | VDDEH 6 | PLL CFG1 | BOOT CFG0 | EXTAL | U |
| V | ADDR 24 | ADDR 25 | ADDR 15 | ADDR 31 | | | | | | | | | | | | | | | | | VDD | VRC CTL | PLL CFG0 | XTAL | V |
| W | ADDR 26 | VDDE2 | ADDR 30 | VSS | VDD | VDDE2 | VDD33 | VDDE2 | DATA 11 | DATA 12 | DATA 14 | EMIOS 2 | EMIOS 8 | VDDEH 4 | EMIOS 12 | EMIOS 21 | EMIOS 17 | EMIOS 22 | VDDE5 | NC | VSS | VDD | VRC33 | VDD SYN | W |
| Y | ADDR 28 | ADDR 27 | VSS | VDD | VDDE2 | DATA 8 | DATA 9 | DATA 10 | GPIO 207 | DATA 13 | DATA 15 | EMIOS 6 | EMIOS 10 | EMIOS 15 | EMIOS 17 | EMIOS 19 | EMIOS 23 | CNTXA | VDDE5 | NC | VSS | VDD | VDD33 | Y | |
| AA | ADDR 29 | VSS | VDD | VDDE2 | DATA 1 | VDDE2 | GPIO 206 | DATA 5 | DATA 7 | VDDE2 | EMIOS 3 | EMIOS 5 | EMIOS 9 | EMIOS 13 | EMIOS 16 | EMIOS 19 | EMIOS 23 | CNRXA | VDDE5 | CLKOUT | VSS | VDD | AA | | |
| AB | VSS | VDD | VDDE2 | DATA 0 | DATA 2 | DATA 3 | DATA 4 | DATA 6 | OE | EMIOS 0 | EMIOS 1 | EMIOS 4 | EMIOS 7 | EMIOS 11 | EMIOS 14 | EMIOS 18 | EMIOS 20 | CNTXB | CNRXB | VDDE5 | ENG CLK | VSS | AB | | |
| | 1 | 2 | 3 | 4 | 5 | 6 | 7 | 8 | 9 | 10 | 11 | 12 | 13 | 14 | 15 | 16 | 17 | 18 | 19 | 20 | 21 | 22 | | | |

Version 2.2p – 13 July 2004

Note: NC No connect. Reserved (W18 & Y19 are shorted to each other)

Figure 28. MPC5534 324 Package

4.1.2 MPC5534 208 MAP BGA Pinout

Figure 29 is a pinout for the MPC5534 208 MAP BGA package.

NOTE

VDDEH10 and VDDEH6 are connected internally on the 208-ball package and are listed as VDDEH6.

| | 1 | 2 | 3 | 4 | 5 | 6 | 7 | 8 | 9 | 10 | 11 | 12 | 13 | 14 | 15 | 16 | |
|--------------|---------|---------|---------|---------|---------|--------|-----------|-------------|---------------------|---------|---------|--------|--------|----------|-----------|---------|---|
| A | VSS | AN9 | AN11 | VDDA1 | VSSA1 | AN1 | AN5 | VRH | VRL | AN27 | VSSA0 | AN12 | MDO2 | MDO0 | VDD33 | VSS | A |
| B | VDD | VSS | AN38 | AN21 | AN0 | AN4 | REF BYPC | AN22 | AN25 | AN28 | VDDA0 | AN13 | MDO3 | MDO1 | VSS | VDD | B |
| C | VSTBY | VDD | VSS | AN17 | AN34 | AN16 | AN3 | AN7 | AN23 | AN32 | AN33 | AN14 | AN15 | VSS | MSE00 | TCK | C |
| D | VDD33 | AN39 | VDD | VSS | AN18 | AN2 | AN6 | AN24 | AN30 | AN31 | AN35 | VDDEH9 | VSS | TMS | EVTO | TEST | D |
| E | ETPUA30 | ETPUA31 | AN37 | VDD | | | | | | | | | VDDE7 | TDI | EVTI | MSE01 | E |
| F | ETPUA28 | ETPUA29 | ETPUA26 | AN36 | | | | | | | | | VDDEH6 | TDO | MCKO | JCOMP | F |
| 8 June 2005p | | | | | | | | | | | | | | | | | |
| G | ETPUA24 | ETPUA27 | ETPUA25 | ETPUA21 | | | VSS | VSS | VSS | VSS | | | SOUTB | PCSB3 | SINB | PCSB0 | G |
| H | ETPUA23 | ETPUA22 | ETPUA17 | ETPUA18 | | | VSS | VSS | VSS | VSS | | | PCSA3 | PCSB4 | PCSB2 | PCSB1 | H |
| J | ETPUA20 | ETPUA19 | ETPUA14 | ETPUA13 | | | VSS | VSS | VSS | VSS | | | PCSB5 | TXDA | PCSA2 | SCKB | J |
| K | ETPUA16 | ETPUA15 | ETPUA7 | VDDEH1 | | | VSS | VSS | VSS | VSS | | | CNTXC | RXDA | RSTOUT | VPP | K |
| L | ETPUA12 | ETPUA11 | ETPUA6 | TCRCLKA | | | | | | | | | TXDB | CNRXC | WKP CFG | RESET | L |
| M | ETPUA10 | ETPUA9 | ETPUA1 | ETPUA5 | | | Note: CS0 | No connect. | R1 reserved for CS0 | | | | RXDB | PLL CFG0 | BOOT CFG1 | VSS SYN | M |
| N | ETPUA8 | ETPUA4 | ETPUA0 | VSS | VDD | VDD33 | EMIOS2 | EMIOS10 | VDDEH4 | EMIOS12 | EMIOS21 | VDD33 | VSS | VRC CTL | PLL CFG1 | EXTAL | N |
| P | ETPUA3 | ETPUA2 | VSS | VDD | GPIO207 | VDDE2 | EMIOS6 | EMIOS8 | EMIOS16 | EMIOS17 | EMIOS22 | CNTXA | VDD | VSS | VRC33 | XTAL | P |
| R | CS0 | VSS | VDD | GPIO206 | EMIOS4 | EMIOS3 | EMIOS9 | EMIOS11 | EMIOS14 | EMIOS19 | EMIOS23 | CNRXA | CNRXB | VDD | VSS | VDD SYN | R |
| T | VSS | VDD | OE | EMIOS0 | EMIOS1 | EMIOS5 | EMIOS7 | EMIOS13 | EMIOS15 | EMIOS18 | EMIOS20 | CNTXB | VDDE5 | ENG CLK | VDD | VSS | T |

Figure 29. MPC5534 208 Package

4.2 Package Dimensions

4.2.1 MPC5534 324-Pin Package

Figure 30 is a package drawing of the MPC5534 324-pin TEPBGA package.

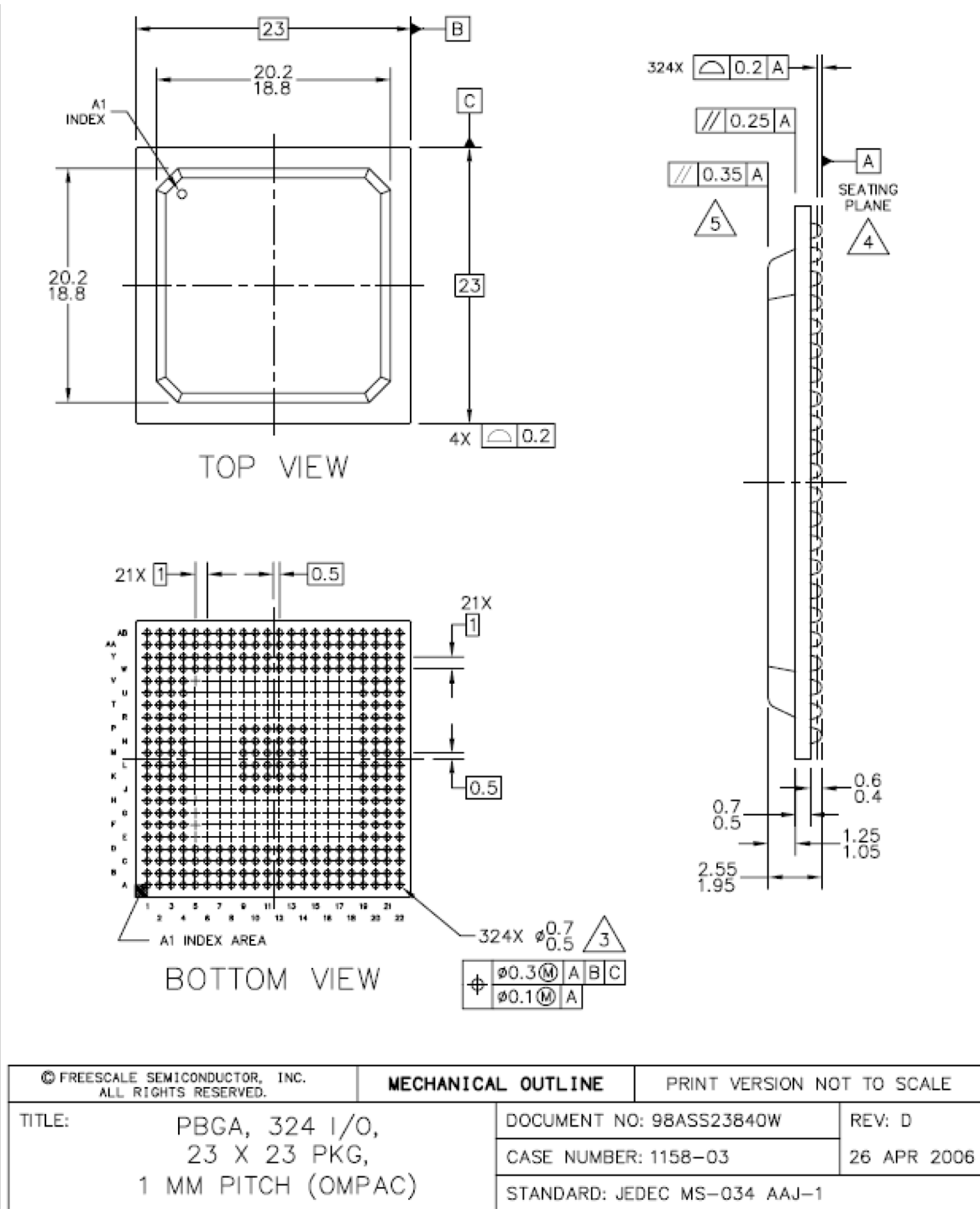


Figure 30. MPC5534 324 TEPBGA Package

4.2.2 MPC5534 208-Pin Package

Figure 31 is a package drawing of the MPC5534 208-pin MAP BGA package.

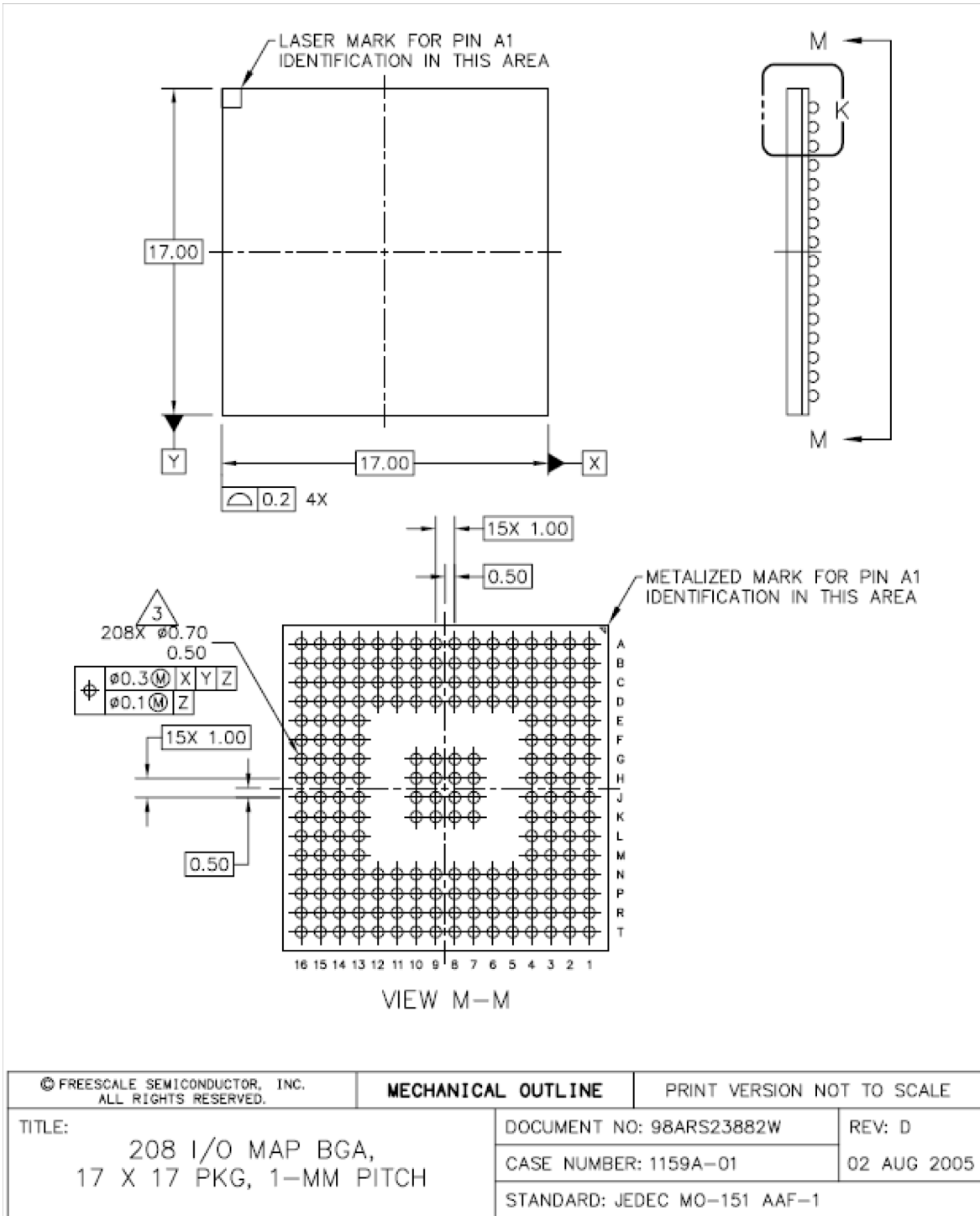


Figure 31. MPC5534 208 MAP BGA Package

5 Revision History

Table 28 provides a revision history of this document.

Table 28. Revision History

| Revision | Location(s) | Substantive Change(s) |
|----------|-------------|--|
| Rev. 0 | | This is the first released version of this document. |

How to Reach Us:

Home Page:
www.freescale.com

E-mail:
support@freescale.com

USA/Europe or Locations Not Listed:
Freescale Semiconductor
Technical Information Center, CH370
1300 N. Alma School Road
Chandler, Arizona 85224
+1-800-521-6274 or +1-480-768-2130
support@freescale.com

Europe, Middle East, and Africa:
Freescale Halbleiter Deutschland GmbH
Technical Information Center
Schatzbogen 7
81829 Muenchen, Germany
+44 1296 380 456 (English)
+46 8 52200080 (English)
+49 89 92103 559 (German)
+33 1 69 35 48 48 (French)
support@freescale.com

Japan:
Freescale Semiconductor Japan Ltd.
Headquarters
ARCO Tower 15F
1-8-1, Shimo-Meguro, Meguro-ku,
Tokyo 153-0064
Japan
0120 191014 or +81 3 5437 9125
support.japan@freescale.com

Asia/Pacific:
Freescale Semiconductor Hong Kong Ltd.
Technical Information Center
2 Dai King Street
Tai Po Industrial Estate
Tai Po, N.T., Hong Kong
+800 2666 8080
support.asia@freescale.com

For Literature Requests Only:
Freescale Semiconductor Literature Distribution Center
P.O. Box 5405
Denver, Colorado 80217
1-800-441-2447 or 303-675-2140
Fax: 303-675-2150
LDCForFreescaleSemiconductor@hibbertgroup.com

Document Number: MPC5534
Rev. 0
06/2006

Information in this document is provided solely to enable system and software implementers to use Freescale Semiconductor products. There are no express or implied copyright licenses granted hereunder to design or fabricate any integrated circuits or integrated circuits based on the information in this document.

Freescale Semiconductor reserves the right to make changes without further notice to any products herein. Freescale Semiconductor makes no warranty, representation or guarantee regarding the suitability of its products for any particular purpose, nor does Freescale Semiconductor assume any liability arising out of the application or use of any product or circuit, and specifically disclaims any and all liability, including without limitation consequential or incidental damages. "Typical" parameters that may be provided in Freescale Semiconductor data sheets and/or specifications can and do vary in different applications and actual performance may vary over time. All operating parameters, including "Typicals", must be validated for each customer application by customer's technical experts. Freescale Semiconductor does not convey any license under its patent rights nor the rights of others. Freescale Semiconductor products are not designed, intended, or authorized for use as components in systems intended for surgical implant into the body, or other applications intended to support or sustain life, or for any other application in which the failure of the Freescale Semiconductor product could create a situation where personal injury or death may occur. Should Buyer purchase or use Freescale Semiconductor products for any such unintended or unauthorized application, Buyer shall indemnify and hold Freescale Semiconductor and its officers, employees, subsidiaries, affiliates, and distributors harmless against all claims, costs, damages, and expenses, and reasonable attorney fees arising out of, directly or indirectly, any claim of personal injury or death associated with such unintended or unauthorized use, even if such claim alleges that Freescale Semiconductor was negligent regarding the design or manufacture of the part.

Freescale™ and the Freescale logo are trademarks of Freescale Semiconductor, Inc. All other product or service names are the property of their respective owners. The PowerPC name is a trademark of IBM Corp. and is used under license.
© Freescale Semiconductor, Inc. 2006. All rights reserved.

RoHS-compliant and/or Pb-free versions of Freescale products have the functionality and electrical characteristics as their non-RoHS-compliant and/or non-Pb-free counterparts. For further information, see <http://www.freescale.com> or contact your Freescale sales representative.

For information on Freescale's Environmental Products program, go to <http://www.freescale.com/epp>.