



SY88147DL

3.3V, 1.25Gbps PECL Limiting Post Amplifier w/High Gain TTL Loss-of-Signal

General Description

The SY88147DL is a high-sensitivity limiting post amplifier designed for use in fiber-optic receivers. These devices connect to typical transimpedance amplifiers (TIAs). The linear signal output from TIAs can contain significant amounts of noise and may vary in amplitude over time. The SY88147DL quantizes these signals and outputs PECL level waveforms.

The SY88147DL operates from a single +3.3V power supply, over temperatures ranging from -40°C to $+85^{\circ}\text{C}$. With its wide bandwidth and high gain, signals with data rates up to 1.25Gbps, and as small as 5mV_{PP} , can be amplified to drive devices with PECL inputs.

The SY88147DL generates a high-gain loss-of-signal (LOS) open-collector TTL output. The LOS function has a high gain input stage for increased sensitivity. A programmable Loss-of-Signal level set pin (LOS_{LVL}) sets the sensitivity of the input amplitude detection. LOS asserts high if the input amplitude falls below the threshold set by LOS_{LVL} and de-asserts low otherwise. The enable bar input ($/\text{EN}$) de-asserts the true output signal without removing the input signal. The LOS output can be fed back to the $/\text{EN}$ input to maintain output stability under a loss-of-signal condition. Typically 3.5dB LOS hysteresis is provided to prevent chattering.

All support documentation can be found on Micrel's web site at: www.micrel.com.

Features

- Single 3.3V power supply
- DC to 1.25Gbps operation
- Low-noise PECL data outputs
- High-gain LOS
- Chatter-free Open-Collector TTL Loss of Signal (LOS) output with internal $4.75\text{k}\Omega$ pull-up resistor
- TTL $/\text{EN}$ input
- Programmable LOS level set (LOS_{LVL})
- Available in a tiny 10-pin MSOP

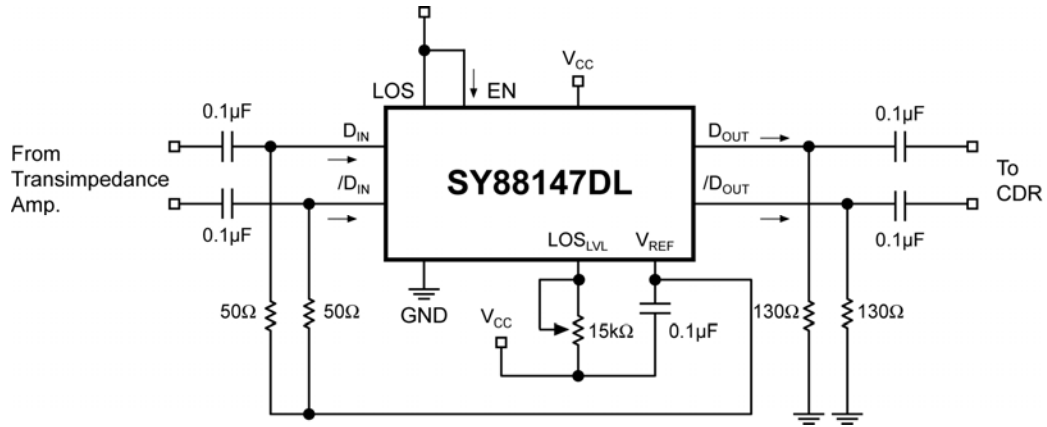
Applications

- APON/BPON/EPON/GEPON/GPON
- Gigabit Ethernet
- 531Mbps and 1062Mbps Fibre Channel
- OC-3 and OC-12/24 SONET/SDH
- High-gain line driver and line receiver
- Low-gain TIA interface

Markets

- FTTH
- Datacom/Telecom
- Optical transceiver

Typical Application Circuit



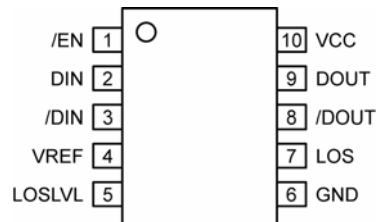
Ordering Information

Part Number	Package Type	Operating Range	Package Marking	Lead Finish
SY88147DLKG	K10-1	Industrial	SY88147DL with Pb-Free bar line indicator	NiPdAu Pb-Free
SY88147DLKGTR ⁽¹⁾	K10-1	Industrial	SY88147DL with Pb-Free bar line indicator	NiPdAu Pb-Free

Note:

1. Tape and Reel.

Pin Configuration



10-Pin MSOP (K10-1)

Pin Description

Pin Number	Pin Name	Type	Pin Function
1	/EN	TTL Input: Default is HIGH.	/Enable: This input enables the outputs when it is LOW. Note that this input is internally connected to a 25k Ω pull-up resistor and will default to a logic HIGH state if left open.
2	DIN	Data Input	True data input.
3	/DIN	Data Input	Complementary data input.
4	VREF		Reference voltage: Placing a capacitor here to V_{CC} helps stabilize LOS_{LVL} .
5	LOSLVL	Input	Loss-of-Signal Level Set: a resistor from this pin to V_{CC} sets the threshold for the data input amplitude at which LOS will be asserted.
6	GND, Exposed Pad	Ground	Device ground.
7	LOS	Open-collector TTL output w/internal 4.75k Ω pull-up resistor	Loss-of-Signal: asserts high when the data input amplitude falls below the threshold sets by LOS_{LVL} .
8	/DOUT	PECL Output	Complementary data output.
9	DOUT	PECL Output	True data output.
10	VCC	Power Supply	Positive power supply.

Absolute Maximum Ratings⁽¹⁾

Supply Voltage (V_{CC}) 0V to +4.0V
 Input Voltage (DIN, /DIN) 0 to V_{CC}
 Output Current (I_{OUT})
 Continuous ± 50 mA
 Surge ± 100 mA
 /EN Voltage 0 to V_{CC}
 V_{REF} Current -800 μ A to +500 μ A
 LOS_{LVL} Voltage V_{REF} to V_{CC}
 Lead Temperature (soldering, 20sec.) +260°C
 Storage Temperature (T_s) -65°C to +150°C

Operating Ratings⁽²⁾

Supply Voltage (V_{CC}) +3.0V to +3.6V
 Ambient Temperature (T_A) -40°C to +85°C
 Junction Temperature (T_J) -40°C to +125°C
 Junction Thermal Resistance
 MSOP
 (θ_{JA}) Still-air 113°C/W

DC Electrical Characteristics

$V_{CC} = 3.0$ to 3.6 V; $R_L = 50\Omega$ to $V_{CC}-2$ V; $T_A = -40^\circ\text{C}$ to $+85^\circ\text{C}$, typical values at $V_{CC} = 3.3$ V, $T_A = 25^\circ\text{C}$.

Symbol	Parameter	Condition	Min	Typ	Max	Units
I_{CC}	Power Supply Current	No output load		26	39	mA
LOS _{LVL}	LOS _{LVL} Voltage		V_{REF}		V_{CC}	V
V_{OH}	PECL Output HIGH Voltage		$V_{CC}-1.085$	$V_{CC}-0.955$	$V_{CC}-0.880$	V
V_{OL}	PECL Output LOW Voltage		$V_{CC}-1.850$	$V_{CC}-1.705$	$V_{CC}-1.555$	V
V_{IHCMR}	Common Mode Range		GND+2.0		V_{CC}	V
V_{REF}	Reference Voltage		$V_{CC}-1.48$	$V_{CC}-1.32$	$V_{CC}-1.16$	V

TTL DC Electrical Characteristics

$V_{CC} = 3.0$ to 3.6 V; $R_L = 50\Omega$ to $V_{CC}-2$ V; $T_A = -40^\circ\text{C}$ to $+85^\circ\text{C}$, typical values at $V_{CC} = 3.3$ V, $T_A = 25^\circ\text{C}$.

Symbol	Parameter	Condition	Min	Typ	Max	Units
V_{IH}	/EN Input HIGH Voltage		2.0			V
V_{IL}	/EN Input LOW Voltage				0.8	V
I_{IH}	/EN Input HIGH Current	$V_{IN} = 2.7$ V $V_{IN} = V_{CC}$			20 100	μ A μ A
I_{IL}	/EN Input LOW Current	$V_{IN} = 0.5$ V	-0.3			mA
V_{OH}	LOS Output HIGH Level	$V_{CC} \geq 3.3$ V, $I_{OH-MAX} < 160\mu$ A $V_{CC} < 3.3$ V, $I_{OH-MAX} < 160\mu$ A	2.4 2.0			V V
V_{OL}	LOS Output LOW Level	$I_{OL} = +2$ mA			0.5	V

Notes:

1. Permanent device damage may occur if absolute maximum ratings are exceeded. This is a stress rating only and functional operation is not implied at conditions other than those detailed in the operational sections of this data sheet. Exposure to absolute maximum rating conditions for extended periods may affect device reliability.
2. The data sheet limits are not guaranteed if the device is operated beyond the operating ratings.
3. Thermal performance assumes the use of a 4-layer PCB. Exposed pad must be soldered (or equivalent) to the device's most negative potential on the PCB.

AC Electrical Characteristics

$V_{CC} = 3.0V$ to $3.6V$; $R_{LOAD} = 50\Omega$ to $V_{CC} - 2V$; $T_A = -40^\circ C$ to $+85^\circ C$.

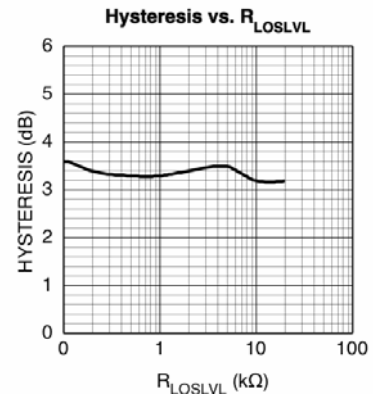
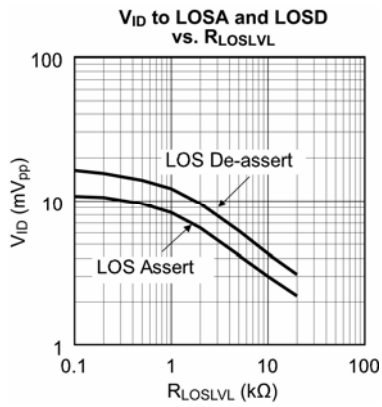
Symbol	Parameter	Condition	Min	Typ	Max	Units
t_r, t_f	Output Rise/Fall Time (20% to 80%)	Note 4			260	ps
t_{JITTER}	Deterministic Random	Note 5 Note 6		15 5		ps _{PP} ps _{RMS}
V_{ID}	Differential Input Voltage Swing	Figure 1	5		1800	mV _{PP}
V_{OD}	Differential Output Voltage Swing	$V_{ID} \geq 18mV_{PP}$ Figure 1		1500		mV _{PP}
T_{OFF}	LOS Release Time			2	10	μs
T_{ON}	LOS Assert Time			2	10	μs
LOS_{AL}	Low LOS Assert Level	$R_{LOSLVL} = 15k\Omega$, Note 8		2.3		mV _{PP}
LOS_{DL}	Low LOS De-assert Level	$R_{LOSLVL} = 15k\Omega$, Note 8		3.4		mV _{PP}
HYS_L	Low LOS Hysteresis	$R_{LOSLVL} = 15k\Omega$, Note 7		3.4		dB
LOS_{AM}	Medium LOS Assert Level	$R_{LOSLVL} = 5k\Omega$, Note 8		4.2		mV _{PP}
LOS_{DM}	Medium LOS De-assert Level	$R_{LOSLVL} = 5k\Omega$, Note 8		6.2		mV _{PP}
HYS_M	Medium LOS Hysteresis	$R_{LOSLVL} = 5k\Omega$, Note 7	2	3.4	4.5	dB
LOS_{AH}	High LOS Assert Level	$R_{LOSLVL} = 100\Omega$, Note 8		10.8		mV _{PP}
LOS_{DH}	High LOS De-assert Level	$R_{LOSLVL} = 100\Omega$, Note 8		16.4		mV _{PP}
HYS_H	High LOS Hysteresis	$R_{LOSLVL} = 100\Omega$, Note 7	2	3.6	4.5	dB
B_{-3dB}	3dB Bandwidth			1		GHz
$A_{V(Diff)}$	Differential Voltage Gain			42		dB
S_{21}	Single-ended Small-Signal Gain		30	36		dB

Notes:

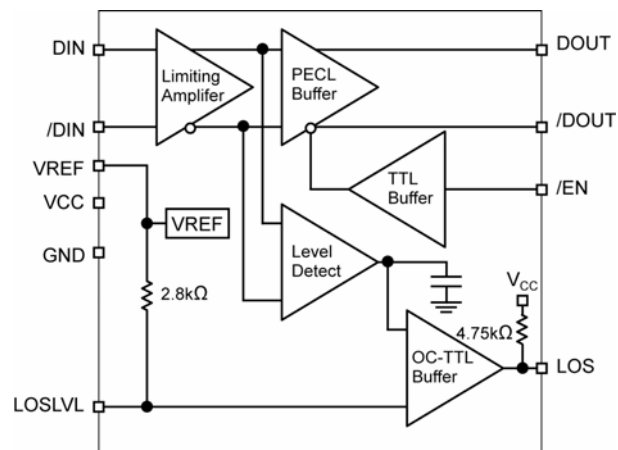
- Amplifier in limiting mode. Input is a 200MHz square wave.
- Deterministic jitter measured using 1.25Gbps K28.5 pattern, $V_{ID} = 10mV_{PP}$.
- Random jitter measured using 1.25Gbps K28.7 pattern, $V_{ID} = 10mV_{PP}$.
- This specification defines electrical hysteresis as $20\log$ (LOS De-assert/LOS Assert). The ratio between optical hysteresis and electrical hysteresis is found to vary between 1.5 and 2 depending on the level of received optical power and ROSA characteristics. Based on that ratio, the optical hysteresis corresponding to the electrical hysteresis range 2dB-4.5dB, shown in the AC characteristics table, will be 1dB-3dB.
- See "Typical Operating Characteristics" for a graph showing how to choose a particular R_{LOSLVL} for a particular LOS assert and its associated de-assert amplitude.

Typical Operating Characteristics

$V_{CC} = 3.3V$, $T_A = 25^\circ C$, $R_L = 50\Omega$ to $V_{CC}-2V$, unless otherwise stated.



Functional Block Diagram



Detailed Description

The SY88147DL high-sensitivity limiting post amplifier operates from a single +3.3V power supply, over temperatures from -40°C to $+85^{\circ}\text{C}$. Signals with data rates up to 1.25Gbps and as small as 5mV_{PP} can be amplified. Figure 1 shows the allowed input voltage swing. The SY88147DL generates a LOS output, allowing feedback to /EN for output stability. LOS_{LVL} sets the sensitivity of the input amplitude detection.

Input Amplifier/Buffer

Figure 2 shows a simplified schematic of the input stage. The high-sensitivity of the input amplifier allows signals as small as 5mV_{PP} to be detected and amplified. The input amplifier allows input signals as large as $1800\text{mV}_{\text{PP}}$. Input signals are linearly amplified with a typically 42dB differential voltage gain. Since it is a limiting amplifier, the SY88147DL outputs typically $1500\text{mV}_{\text{PP}}$ voltage-limited waveforms for input signals that are greater than 12mV_{PP} . Applications requiring the SY88147DL to operate with high-gain should have the upstream TIA placed as close as possible to the SY88147DL's input pins to ensure the best performance of the device.

Output Buffer

The SY88147DL's PECL output buffer is designed to drive 50Ω lines. The output buffer requires appropriate termination for proper operation. An external 50Ω resistor to $V_{\text{CC}}-2\text{V}$ for each output pin provides this. Figure 3 shows a simplified schematic of the output stage.

Loss-of-Signal

The SY88147DL generates a chatter-free loss-of-signal (LOS) open-collector TTL output with internal $4.75\text{k}\Omega$ pull-up resistor as shown in Figure 4. LOS is used to determine that the input amplitude is too small to be considered a valid input. LOS asserts high if the input amplitude falls below the threshold sets by LOS_{LVL} and de-asserts low otherwise. LOS can be fed back to the enable (/EN) input to maintain output stability under a loss of signal condition. /EN de-asserts low the true output signal without removing the input signals. Typically, 3.5dB LOS hysteresis is provided to prevent chattering.

Loss-of-Signal-Level Set

A programmable LOS level set pin (LOS_{LVL}) sets the threshold of the input amplitude detection. Connecting an external resistor between V_{CC} and LOS_{LVL} sets the voltage at LOS_{LVL} . This voltage ranges from V_{CC} to V_{REF} . The external resistor creates a voltage divider between V_{CC} and V_{REF} as shown in Figure 5.

Hysteresis

The SY88147DL typically provides 3.5dB LOS electrical hysteresis. By definition, a power ratio measured in dB is $10\log(\text{power ratio})$. Power is calculated as V_{IN}^2/R for an electrical signal. Hence, the same ratio can be stated as $20\log(\text{voltage ratio})$. While in linear mode, the electrical voltage input changes linearly with the optical power and hence the ratios change linearly. Therefore, the optical hysteresis in dB is half the electrical hysteresis in dB given in the data sheet. The SY88147DL is an electrical device; this data sheet refers to hysteresis in electrical terms. With 3.5dB LOS hysteresis, a voltage factor of 1.5 is required to assert or de-assert LOS.

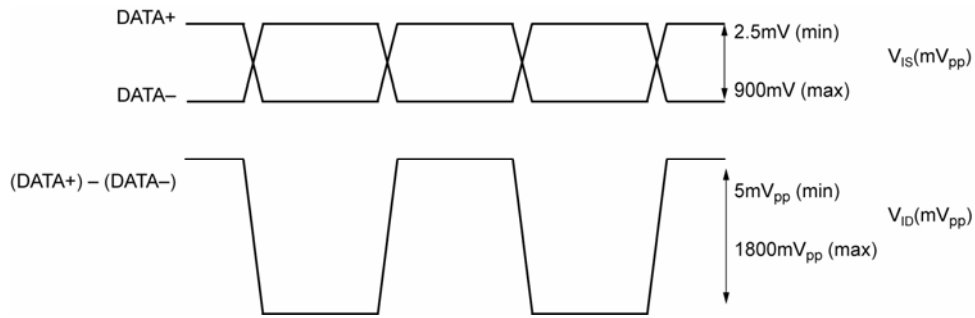


Figure 1. V_{IS} and V_{ID} Definition

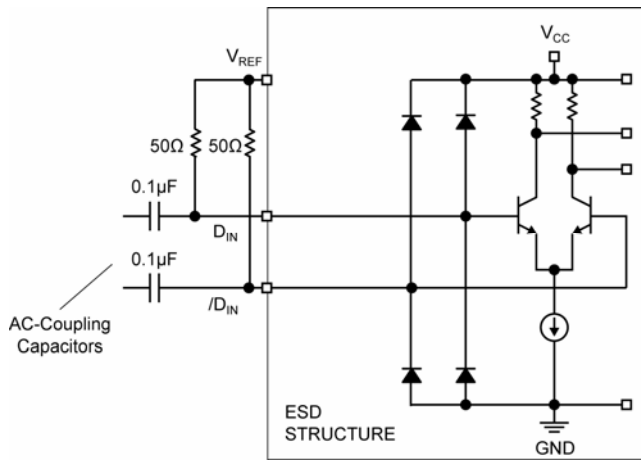


Figure 2. Input Structure

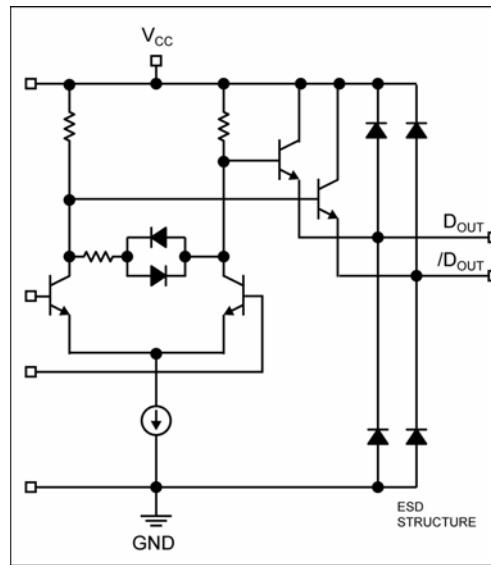


Figure 3. Output Structure

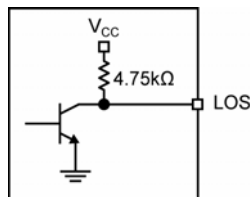


Figure 4. LOS Output Structure

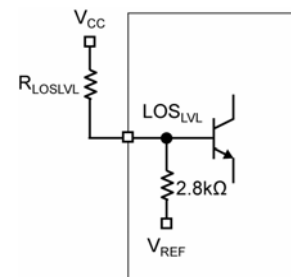


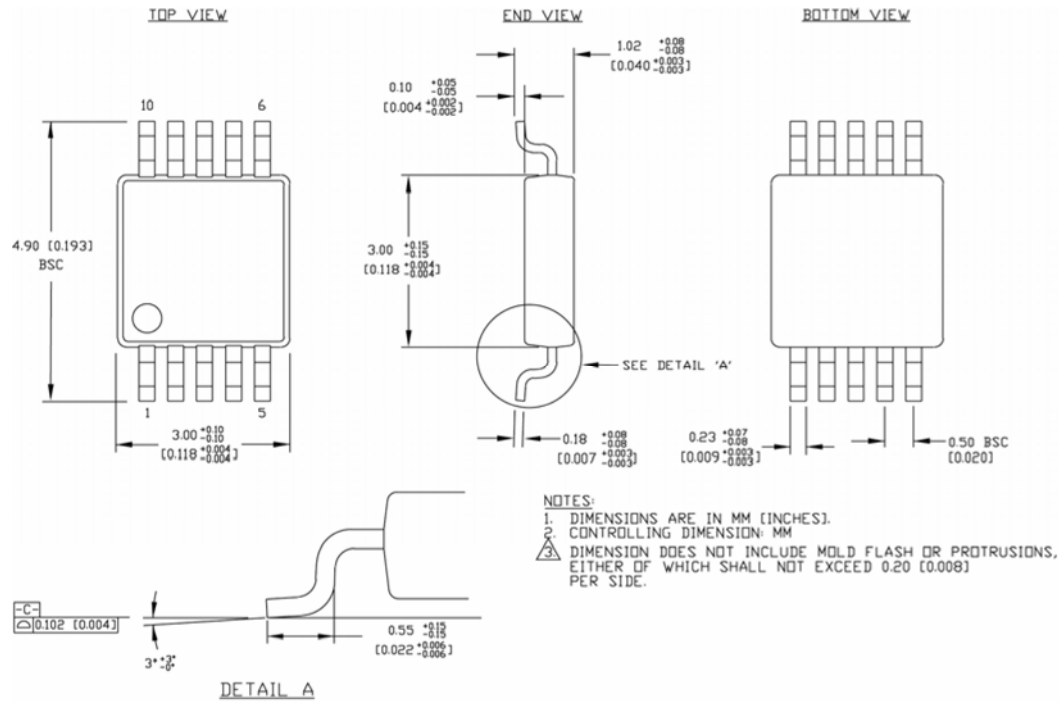
Figure 5. LOS_LVL Setting Circuit

Note: Recommended value for R_{LOSLVL} is 15kΩ or less.

Related Product and Support Documentation

Part Number	Function	Data Sheet Link
SY88903AL	3.3V/5V 1.25Gbps PECL High-Sensitivity Limiting Post Amplifier with TTL LOS	http://www.micrel.com/product-info/sy88903al.shtml
Application Notes	Notes on Sensitivity and Hysteresis in Micrel Post Amplifiers	http://www.micrel.com/product-info/app_hints+notes.shtml

Package Information



Rev. 00

10-Pin MSOP (K10-1)

MICREL, INC. 2180 FORTUNE DRIVE SAN JOSE, CA 95131 USA
 TEL +1 (408) 944-0800 FAX +1 (408) 474-1000 WEB <http://www.micrel.com>

The information furnished by Micrel in this data sheet is believed to be accurate and reliable. However, no responsibility is assumed by Micrel for its use. Micrel reserves the right to change circuitry and specifications at any time without notification to the customer.

Micrel Products are not designed or authorized for use as components in life support appliances, devices or systems where malfunction of a product can reasonably be expected to result in personal injury. Life support devices or systems are devices or systems that (a) are intended for surgical implant into the body or (b) support or sustain life, and whose failure to perform can be reasonably expected to result in a significant injury to the user. A Purchaser's use or sale of Micrel Products for use in life support appliances, devices or systems is a Purchaser's own risk and Purchaser agrees to fully indemnify Micrel for any damages resulting from such use or sale.

© 2005 Micrel, Incorporated.