

AR-320240G

• 320 x 3(RGB) x 240 dots

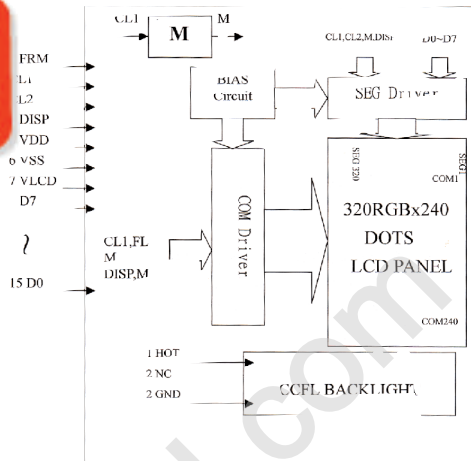
1/240 Duty

FEATURE

1. Construction : LCD panel , CCFL back-light, Bezel.
2. Option :
3. Pure Driver type.
4. Normal temperature type.
5. CCFL Life Time : 50,000 hours
6. LCM MTBF : 30,000 hours

液晶之友 电话: 020-33819057
<http://www.lcdfriends.com>

BLOCK DIAGRAM

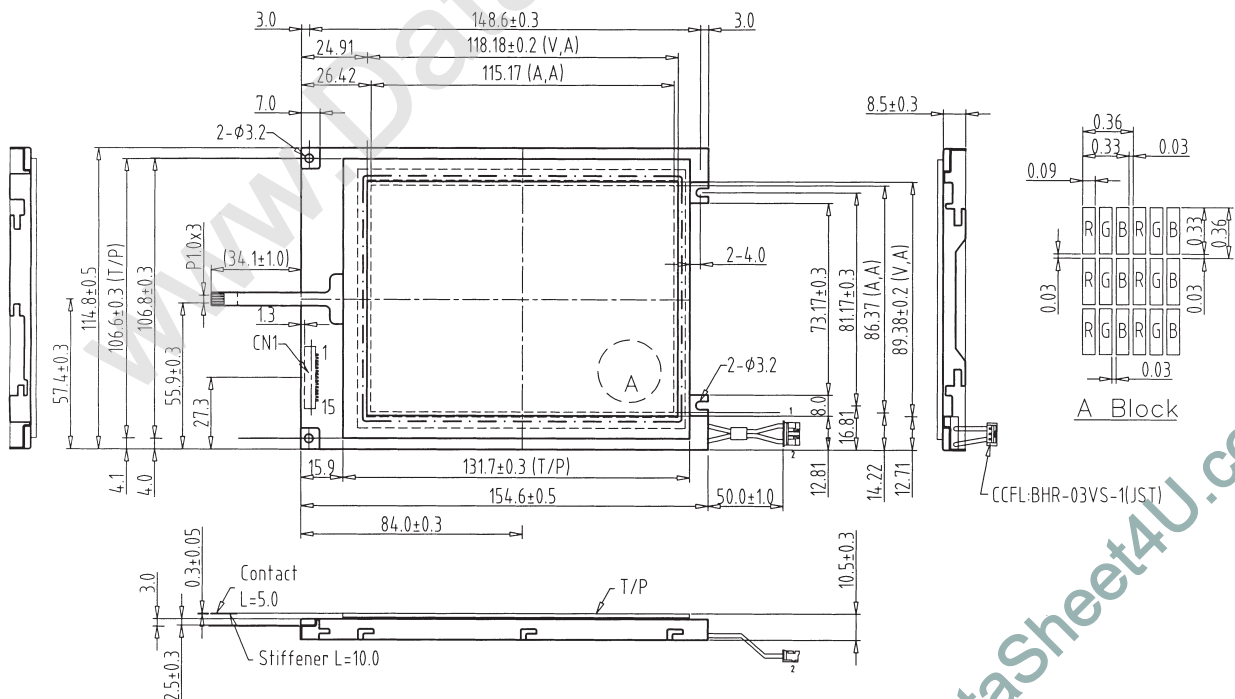


ELECTRICAL CHARACTERISTICS

Parameter	Symbol	Condition	Typ. Value	Unit.
LCD Driving Voltage	VLCD-VSS	25°C	26.2	V
Supply Current	IDD	VDD = 5V	2.7	mA
	ILCD	VLCD=26.2V	7.5	mA

INTERFACE

1	2	3	4	5	6	7	8	9	10	11
FRM	CL1	CL2	DISP	VDD	VSS	VLCD	D7	D6	D5	D4
12	13	14	15							
D3	D2	D1	D0							



www.DataSheet4U.com