

# M61516FP

## 7.1ch ELECTRONIC VOLUME WITH 10 INPUT SELECTOR

### APPLICATION

Receiver, AV Amp, Mini Stereo etc.

### FEATURE

FUNCTION	FEATURE
Electronic Volume	(1) 8 channel Independent Electronic Volume with High Voltage Transistor. (0~-92dB/1dBstep, -95, -∞dB) (2) Built-in Zero-Crossing Detector Circuit for reduce click noise at changing volume value.
Tone Control	(1) Bass/Treble, 0~ ±10dB/2dBstep (2) Add a Bypass Mode/Tone Mode changing SW
Input Selector	(1) Front L/R channel 10 Input Selector (2) 2 sets of multi channel input
REC Output	4 Lines REC Output (Both L and R channels)
Input attenuator	0/-3/-6/-9/-12dB
Output Gain Control	0/+3/+6/+9/+12dB
Balance Out	Built-in Balance out (for ADC)
Loudness *1	Built-in Loudness circuit of center tap type in FL/FRch

### OUTLINE



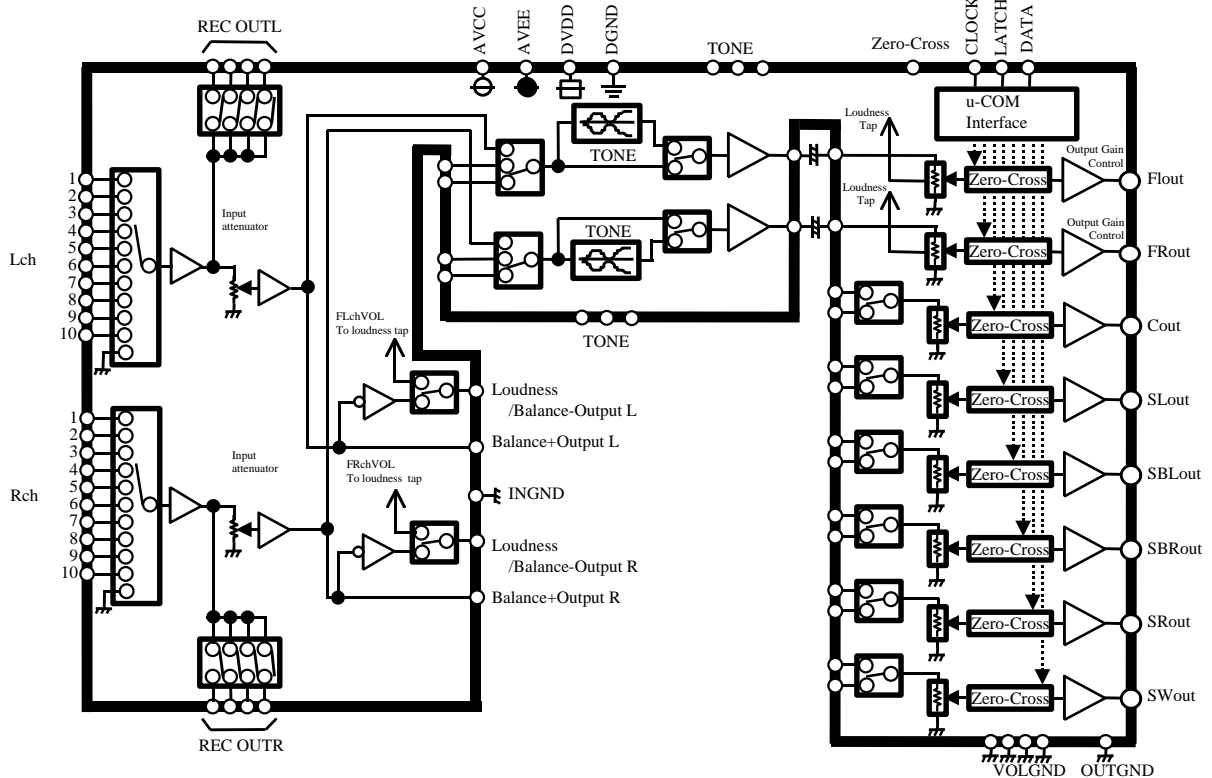
Outline 80P6N-A  
0.8mm Pitch QFP  
(20.0mm x 14.0mm x 2.8mm)

\*1 Balance output and loudness function can't be used at the same time.

### RECOMMENDED OPERATING CONDITION

Supply Voltage Range AVCC=7.0V(typ) , AVEE=-7.0V(typ) , DVDD=5.0V(typ)

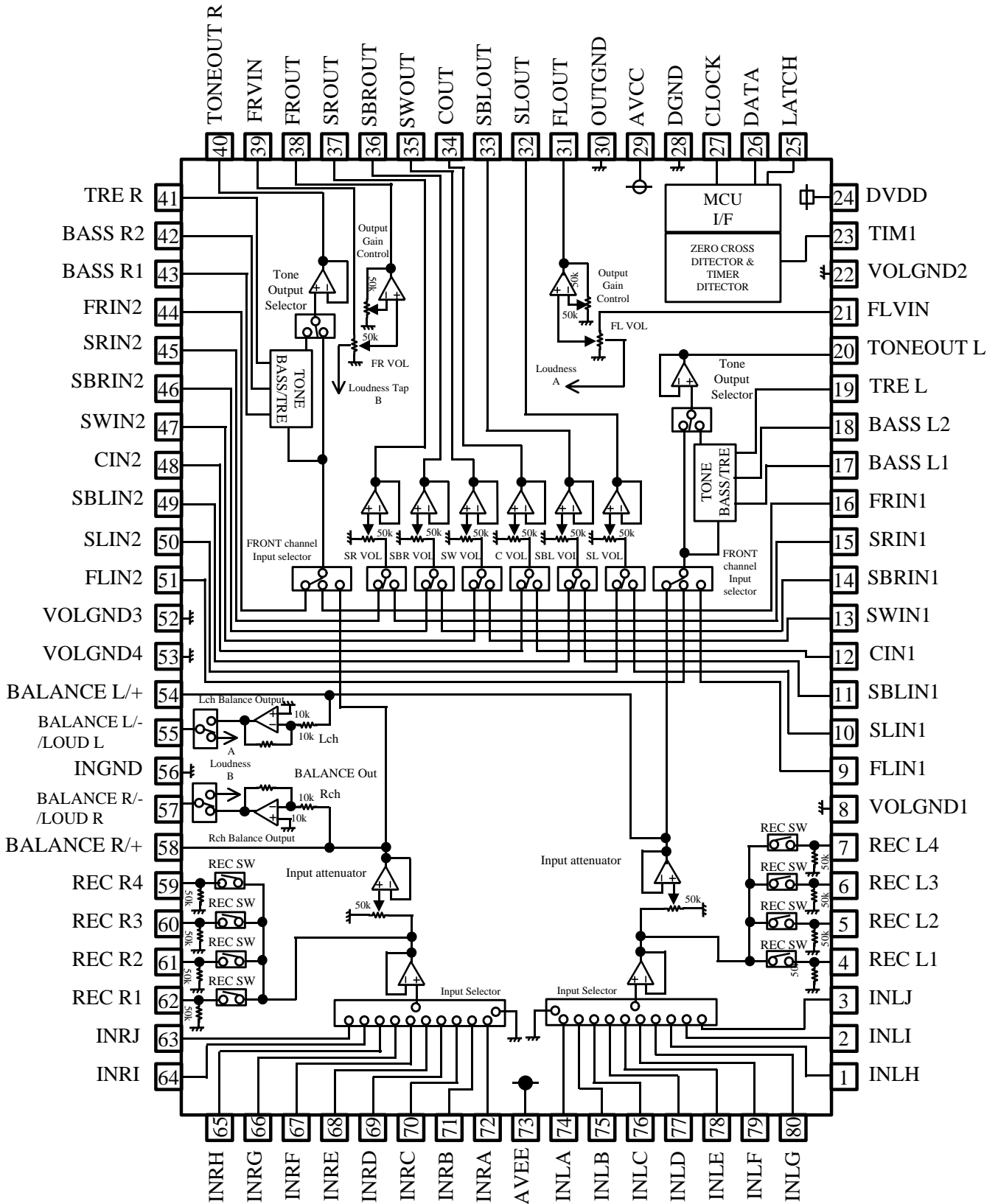
### SYSTEM BLOCK DIAGRAM



# M61516FP

## 7.1ch ELECTRONIC VOLUME WITH 10 INPUT SELECTOR

### BLOCK DIAGRAM AND PIN CONFIGURATION (TOP VIEW)



**M61516FP****7.1ch ELECTRONIC VOLUME WITH 10 INPUT SELECTOR****PIN DESCRIPTION**

PIN No.	Name	Function
74,75,76,77,78, 79,80,1,2,3	INLA,B,C,D,E,F,G,H,I,J	Input pin of L channel (10 Input Selector)
4,5,6,7, 59,59,60,61	REC L1,L2,L3,L4 /REC R1,R2,R3,R4	Output pin of REC (Lch and Rch)
8,22,52,53	VOLGND1,2,3,4	Analog Ground (for 8ch Volume)
9,51	FLIN1 / FLIN2	Input pin of FL channel (2 Input Selector)
10,50	SLIN1 / SLIN2	Input pin of SL channel (2 Input Selector)
11,49	SBLIN1 / SBLIN2	Input pin of SBL channel (2 Input Selector)
12,48	CIN1 / CIN2	Input pin of C channel (2 Input Selector)
13,47	SWIN1 / SWIN2	Input pin of SW channel (2 Input Selector)
14,46	SBRIN1 / SBRIN2	Input pin of SBR channel (2 Input Selector)
15,45	SRIN1 / SRIN2	Input pin of SR channel (2 Input Selector)
16,44	FRIN1 / FRIN2	Input pin of FR channel (2 Input Selector)
17,18,42,43	BASS L1,L2 / BASS R1,R2	Frequency characteristic setting pin in the tone control (BASS)
19,41	TRE L / TRE R	Frequency characteristic setting pin in the tone control (TREBLE)
20,40	TONEOUT L / TONEOUT R	Output pin of tone
21	FLVIN	Input pin of FL channel volume
23	TIM1	Timer setting terminal for Zero-Cross Detector
24	DVDD	Power supply to internal logic circuit
12,26,27	LATCH,DATA,CLOCK	Input pin of Control trigger/data/clock
28	DGND	Ground of internal logic circuit
29	AVCC	Positive power supply to internal analog circuit
30	OUTGND	Ground for OUTPUT Block
31	FLOUT	Output pin of FL channel
32	SLOUT	Output pin of SL channel
33	SBLOUT	Output pin of SBL channel
34	COUT	Output pin of C channel
35	SWOUT	Output pin of SW channel
36	SBROUT	Output pin of SBR channel
37	SROUT	Output pin of SR channel
38	FROUT	Output pin of FR channel
39	FRVIN	Input pin of FR channel volume
54,55	LOUDL/BALANCE L/+ ,L/-	Pin of L channel loudness setting/Balance output(+/-)
56	INGND	Ground for Input Block
57,58	LOUDR/BALANCE R/+ ,R/-	Pin of R channel loudness setting/Balance output (+/-)
62,63,64,65,66, 67,68,69,70	INRA,B,C,D,E,F,G,H,I,J	Input pin of R channel (10 Input Selector)
73	AVEE	Negative power supply to internal analog circuit

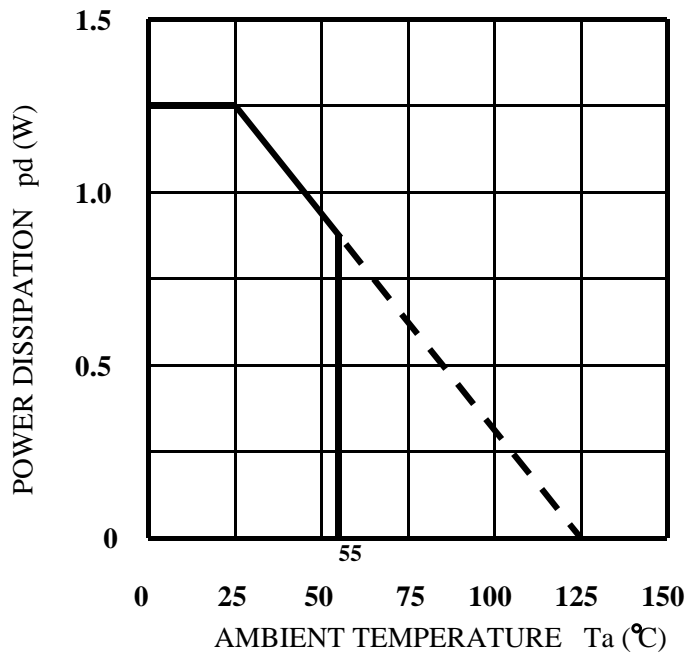
# M61516FP

## 7.1ch ELECTRONIC VOLUME WITH 10 INPUT SELECTOR

### ABSOLUTE MAXIMUM RATINGS

Symbol	Parameter	Condition	Ratings	Unit
Supply voltage	Power supply	AVCC-AVEE	±7.8	V
		DVDD-GND	6.0	
Pd	Power dissipation	Ta ≤ 25°C	1250	mW
Ke	Thermal derating	Ta > 25°C	12.5	mW/°C
Topr	Operating temperature		-20~+55	°C
Tstg	Storage temperature		-40~+125	°C

THERMAL DERATINGS  
(MAXIMUM RATING)



# M61516FP

## 7.1ch ELECTRONIC VOLUME WITH 10 INPUT SELECTOR

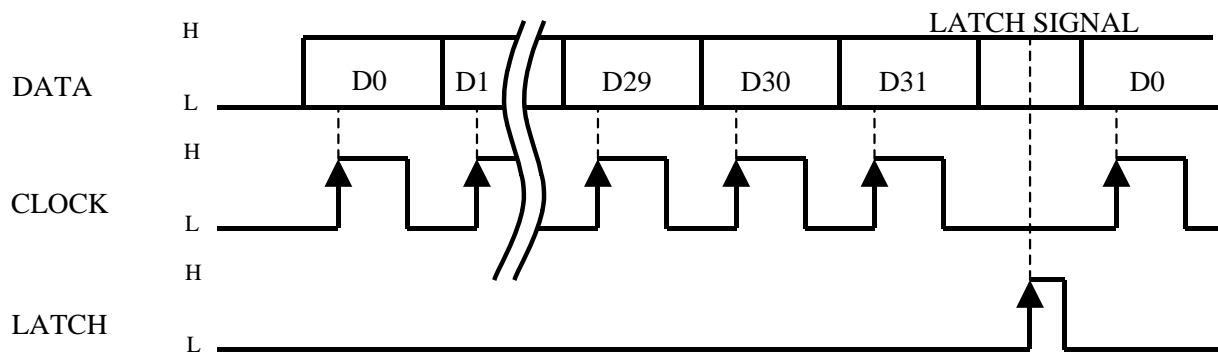
### RECOMMENDED OPERATING CONDITIONS

(Ta=25°C, unless otherwise noted)

Parameter	Symbol	Condition	MIN	TYP	MAX	Unit
Analog supply voltage (Positive)	AVCC		4.5	7.0	7.3	V
Analog supply voltage (Negative)	AVEE		-7.3	-7.0	-4.5	V
Digital supply voltage	DVDD		4.5	5.0	5.5	V
Logic "H" level input voltage	VIH	DGND reference	2.4	—	DVDD	V
Logic "L" level input voltage	VIL	DGND reference	DGND	—	0.5	V

Note: VEE < DGND < VDD < VCC

### RELATIONSHIP BETWEEN DATA AND CLOCK

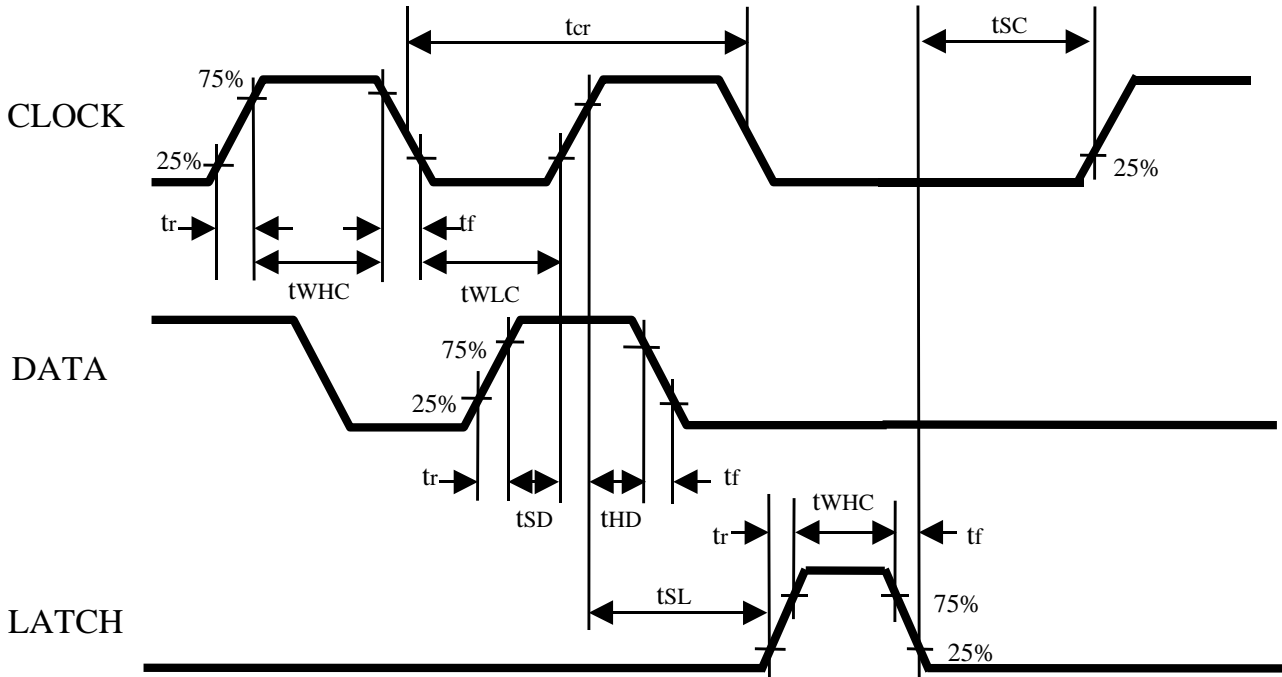


Data signal is read at the rising edge of clock.  
Signal is latched at the rising edge of the latch signal.

# M61516FP

## 7.1ch ELECTRONIC VOLUME WITH 10 INPUT SELECTOR

### CLOCK AND DATA TIMINGS



### TIMING DEFINITION OF DIGITAL BLOCK

Symbol	Parameter	Limits			Unit
		Min	typ	Max	
$t_{cr}$	Clock cycle time	8	-	-	usec
$t_{WHC}$	Clock pulse width ("H" level)	3.2	-	-	
$t_{WLC}$	Clock pulse width ("L" level)	3.2	-	-	
$t_r$	Rising time of clock,data and latch	-	-	0.8	
$t_f$	Falling time of clock,data and latch	-	-	0.8	
$t_{SD}$	Data setup time	1.6	-	-	
$t_{HD}$	Data hold time	1.6	-	-	
$t_{SL}$	Latch setup time	2	-	-	
$t_{WHL}$	Latch pulse width	3.2	-	-	
$t_{SC}$	Clock setup time	8	-	-	

# M61516FP

## 7.1ch ELECTRONIC VOLUME WITH 10 INPUT SELECTOR

### DATA CONTROL SPECIFICATION

For kinds of input format options are available by changing slot settings of D30,D31.  
When the IC is powered up, the internal setting are not fixed.

D0	D1	D2	D3	D4	D5	D6	D7	D8	D9	D10	D11	D12	D13	D14	D15	D16	D17	D18	D19	D20	D21	D22	D23	D24	D25	D26	D27	D28	D29	D30	D31										
Input Selector			Input attenuator			Output Gain Control			VOL Input Selector			Front Channel Input Selector			Tone Output Selector			Tone Control Bass			Tone Control Treble			REC Output 1			REC Output 2			REC Output 3			REC Output 4			Balance /loudness			All ch Loudness Mute		
FLch Volume			FRch Volume			Cch Volume			SWch Volume			SLch Volume			SBLch Volume			SBRch Volume			0			0			0			0			0			1					
SLch Volume			SRch Volume			SBLch Volume			SBRch Volume			0			0			0			0			0			0			0			0			1			0		

Note: When D30=0, D31=1 and D30=1, D31=0 slots are set up, the detection movement of Zero-Cross is done.  
Refer to 16~20 pages for the setting data transmitting interval.

# M61516FP

## 7.1ch ELECTRONIC VOLUME WITH 10 INPUT SELECTOR

■ Early Establishment.

### SETTING CODE

(1) Input Selector  
(D30=0, D31=0)

Setting	D0	D1	D2	D3
ALL OFF	0	0	0	0
A	0	0	0	1
B	0	0	1	0
C	0	0	1	1
D	0	1	0	0
E	0	1	0	1
F	0	1	1	0
G	0	1	1	1
H	1	0	0	0
I	1	0	0	1
J	1	0	1	0

(2) Input attenuator  
(D30=0, D31=0)

Setting	D4	D5	D6
0dB	0	0	0
-3dB	0	0	1
-6dB	0	1	0
-9dB	0	1	1
-12dB	1	0	0

(3) Output Gain Control  
(D30=0, D31=0)

Setting	D7	D8	D9
0dB	0	0	0
+3dB	0	0	1
+6dB	0	1	0
+9dB	0	1	1
+12dB	1	0	0

(4) Tone Input Selector  
(D30=0, D31=0)

Setting	D13
Bypass	0
Tone	1

(5) All Channel Output Mute  
(D30=0, D31=1)

Setting	D28
Mute OFF	0
Mute ON	1

(6) Tone Control (Bass/Treble)  
(D30=0, D31=0)

ATT	Bass	D14	D15	D16	D17
	Treble	D18	D19	D20	D21
+10dB	1	1	0	1	
+8dB	1	1	0	0	
+6dB	1	0	1	1	
+4dB	1	0	1	0	
+2dB	1	0	0	1	
0dB	0	0	0	0	
-2dB	0	0	0	1	
-4dB	0	0	1	0	
-6dB	0	0	1	1	
-8dB	0	1	0	0	
-10dB	0	1	0	1	

(7) Volume Input Selector  
(D30=0, D31=0)

Setting	D10
External IN1	0
External IN2	1

(9) FRONT Input Selector  
(D30=0, D31=0)

Setting	D11	D12
Bypass	0	0
External IN1	0	1
External IN2	1	0

(8) Loudness  
(D30=0, D31=1)

Setting	D29
OFF	0
ON	1

(10) Balance/Loudness Change SW  
(D30=0, D31=0)

Setting	D26
Balance Out	0
Loudness	1

(11) REC Output  
(D30=0, D31=0)

REC Output	REC1	REC2	REC3	REC4
Setting	D22	D23	D24	D25
OFF	0	0	0	0
ON	1	1	1	1



# M61516FP

## 7.1ch ELECTRONIC VOLUME WITH 10 INPUT SELECTOR

(10)8 channel Volume (FLch,FRch,Cch,SWch:D30=0,D31=1 / SLch,SRch,SBLch,SBRch:D30=1,D31=0)

ATT	FLch SLch	D0	D1	D2	D3	D4	D5	D6
	FRch SRch	D7	D8	D9	D10	D11	D12	D13
	Cch SBLch	D14	D15	D16	D17	D18	D19	D20
	SWch SBRch	D21	D22	D23	D24	D25	D26	D27
0dB	0	0	0	0	0	0	0	0
-1dB	0	0	0	0	0	0	0	1
-2dB	0	0	0	0	0	0	1	0
-3dB	0	0	0	0	0	0	1	1
-4dB	0	0	0	0	0	1	0	0
-5dB	0	0	0	0	0	1	0	1
-6dB	0	0	0	0	0	1	1	0
-7dB	0	0	0	0	0	1	1	1
-8dB	0	0	0	0	1	0	0	0
-9dB	0	0	0	0	1	0	0	1
-10dB	0	0	0	0	1	0	1	0
-11dB	0	0	0	0	1	0	1	1
-12dB	0	0	0	0	1	1	0	0
-13dB	0	0	0	0	1	1	0	1
-14dB	0	0	0	0	1	1	1	0
-15dB	0	0	0	0	1	1	1	1
-16dB	0	0	0	1	0	0	0	0
-17dB	0	0	0	1	0	0	0	1
-18dB	0	0	0	1	0	0	1	0
-19dB	0	0	0	1	0	0	1	1
-20dB	0	0	0	1	0	1	0	0
-21dB	0	0	0	1	0	1	0	1
-22dB	0	0	0	1	0	1	1	0
-23dB	0	0	0	1	0	1	1	1
-24dB	0	0	0	1	1	0	0	0
-25dB	0	0	0	1	1	0	0	1
-26dB	0	0	0	1	1	0	1	0
-27dB	0	0	0	1	1	0	1	1

ATT	FLch SLch	D0	D1	D2	D3	D4	D5	D6
	FRch SRch	D7	D8	D9	D10	D11	D12	D13
	Cch SBLch	D14	D15	D16	D17	D18	D19	D20
	SWch SBRch	D21	D22	D23	D24	D25	D26	D27
-28dB	0	0	1	1	1	0	0	
-29dB	0	0	1	1	1	0	1	
-30dB	0	0	1	1	1	1	0	
-31dB	0	0	1	1	1	1	1	
-32dB	0	1	0	0	0	0	0	
-33dB	0	1	0	0	0	0	0	1
-34dB	0	1	0	0	0	0	1	0
-35dB	0	1	0	0	0	0	1	1
-36dB	0	1	0	0	0	1	0	0
-37dB	0	1	0	0	0	1	0	1
-38dB	0	1	0	0	0	1	1	0
-39dB	0	1	0	0	0	1	1	1
-40dB	0	1	0	0	1	0	0	0
-41dB	0	1	0	0	1	0	0	1
-42dB	0	1	0	0	1	0	1	0
-43dB	0	1	0	0	1	0	1	1
-44dB	0	1	0	0	1	1	0	0
-45dB	0	1	0	0	1	1	0	1
-46dB	0	1	0	0	1	1	1	0
-47dB	0	1	0	0	1	1	1	1
-48dB	0	1	0	1	0	0	0	0
-49dB	0	1	0	1	0	0	0	1
-50dB	0	1	0	1	0	0	1	0
-51dB	0	1	0	1	0	0	1	1
-52dB	0	1	0	1	0	1	0	0
-53dB	0	1	0	1	0	1	0	1
-54dB	0	1	0	1	0	1	1	0
-55dB	0	1	0	1	0	1	1	1

# M61516FP

## 7.1ch ELECTRONIC VOLUME WITH 10 INPUT SELECTOR

ATT	FLch SLch	D0	D1	D2	D3	D4	D5	D6
	FRch SRch	D7	D8	D9	D10	D11	D12	D13
	Cch SBLch	D14	D15	D16	D17	D18	D19	D20
	SWch SBRch	D21	D22	D23	D24	D25	D26	D27
-56dB	0	1	1	1	0	0	0	0
-57dB	0	1	1	1	0	0	0	1
-58dB	0	1	1	1	0	1	0	0
-59dB	0	1	1	1	0	1	1	1
-60dB	0	1	1	1	1	0	0	0
-61dB	0	1	1	1	1	0	1	1
-62dB	0	1	1	1	1	1	0	0
-63dB	0	1	1	1	1	1	1	1
-64dB	1	0	0	0	0	0	0	0
-65dB	1	0	0	0	0	0	0	1
-66dB	1	0	0	0	0	1	0	0
-67dB	1	0	0	0	0	1	1	1
-68dB	1	0	0	0	1	0	0	0
-69dB	1	0	0	0	1	0	0	1
-70dB	1	0	0	0	1	1	0	0
-71dB	1	0	0	0	1	1	1	1
-72dB	1	0	0	1	0	0	0	0
-73dB	1	0	0	1	0	0	0	1
-74dB	1	0	0	1	0	1	0	0
-75dB	1	0	0	1	0	1	1	1
-76dB	1	0	0	1	1	0	0	0
-77dB	1	0	0	1	1	0	0	1
-78dB	1	0	0	1	1	1	0	0
-79dB	1	0	0	1	1	1	1	1
-80dB	1	0	1	0	0	0	0	0
-81dB	1	0	1	0	0	0	0	1
-82dB	1	0	1	0	0	0	1	0

ATT	FLch SLch	D0	D1	D2	D3	D4	D5	D6
	FRch SRch	D7	D8	D9	D10	D11	D12	D13
	Cch SBLch	D14	D15	D16	D17	D18	D19	D20
	SWch SBRch	D21	D22	D23	D24	D25	D26	D27
-83dB	1	0	1	0	0	1	1	1
-84dB	1	0	1	0	1	0	0	0
-85dB	1	0	1	0	1	0	0	1
-86dB	1	0	1	0	1	1	1	0
-87dB	1	0	1	0	1	1	1	1
-88dB	1	0	1	1	0	0	0	0
-89dB	1	0	1	1	0	0	0	1
-90dB	1	0	1	1	0	1	0	0
-91dB	1	0	1	1	0	1	1	1
-92dB	1	0	1	1	1	1	0	0
-95dB	1	0	1	1	1	1	1	1
<b>-∞dB</b>	<b>1</b>	<b>1</b>	<b>1</b>	<b>1</b>	<b>0</b>	<b>0</b>	<b>0</b>	<b>0</b>

# M61516FP

## 7.1ch ELECTRONIC VOLUME WITH 10 INPUT SELECTOR

### ELECTRICAL CHARACTERISTICS

Unless otherwise noted,  $T_a=25\text{ }^\circ\text{C}$ ,  $AVCC=7\text{V}$ ,  $AVEE=-7\text{V}$ ,  $DVDD=5\text{V}$ ,  $f=1\text{kHz}$ ,  $R_L=10\text{kohm}$ ,  $\text{Tone/Volume}=0\text{dB}$ ,  
 Front channel Input selector/Tone Output Selector=Bypass, Input attenuator/output Gain Control=0dB

#### (1) Power supply characteristics

Parameter	Symbol	Test condition	Limits			Unit
			Min	typ	Max	
Analog positive power circuit current	A <sub>Icc</sub>	With AVDD=7V and AVSS=-7V Pin29 pin current, when no signal is provided	—	50	70	mA
Analog negative power Circuit current	A <sub>Iee</sub>	With AVDD=7V and AVSS=-7V Pin73 pin current, when no signal is provided	—	50	70	mA
Digital power circuit current	D <sub>Idd</sub>	With DVDD=5V, Pin24 pin current, when no signal is provided	—	3.0	6.0	mA

#### (2) Input/Output characteristics(OVER ALL)

Parameter	Symbol	Test Condition	Limits			Unit
			Min	typ	Max	
Input resistance	R <sub>i</sub>	9~16,44~51pin When each selector chooses a terminal concerned.	25	50	100	kohm
Maximum input voltage	V <sub>OM</sub>	THD=1%	3.0	4.2	—	V <sub>rms</sub>
Pass gain	G <sub>v</sub>	V <sub>i</sub> =0.3V <sub>rms</sub> , FLAT	-2.0	0	2.0	dB
Distortion	THD	DIN-AUDIO V <sub>i</sub> =0.3V <sub>rms</sub>	—	0.005	0.09	%
Output noise voltage	V <sub>n</sub> (VOL)	JIS-A, R <sub>g</sub> =0ohm Tone Output selector=Bypass	—	4	12	uV <sub>rms</sub>
	V <sub>n</sub> (tone)	JIS-A, R <sub>g</sub> =0ohm Tone Output Selector=Tone	—	8	16	uV <sub>rms</sub>

# M61516FP

## 7.1ch ELECTRONIC VOLUME WITH 10 INPUT SELECTOR

### (3) 8 channel Volume characteristics

Parameter	Symbol	Test condition	Limits			Unit
			Min	typ	Max	
Maximum attenuation	ATTmax	Volume setting=0dB Vi=1Vrms,JIS-A,VOL=-∞	—	-100	-90	dB
Volume gain Between channels	Dvol	Pin31,32,33,34,35,36,37,38 output	-1.5	0	1.5	dB
Cross talk between channels	CT	Vo=0.5Vrms,RL=10kohm, JIS-A,Rg=0ohm	—	-80	-65	dB

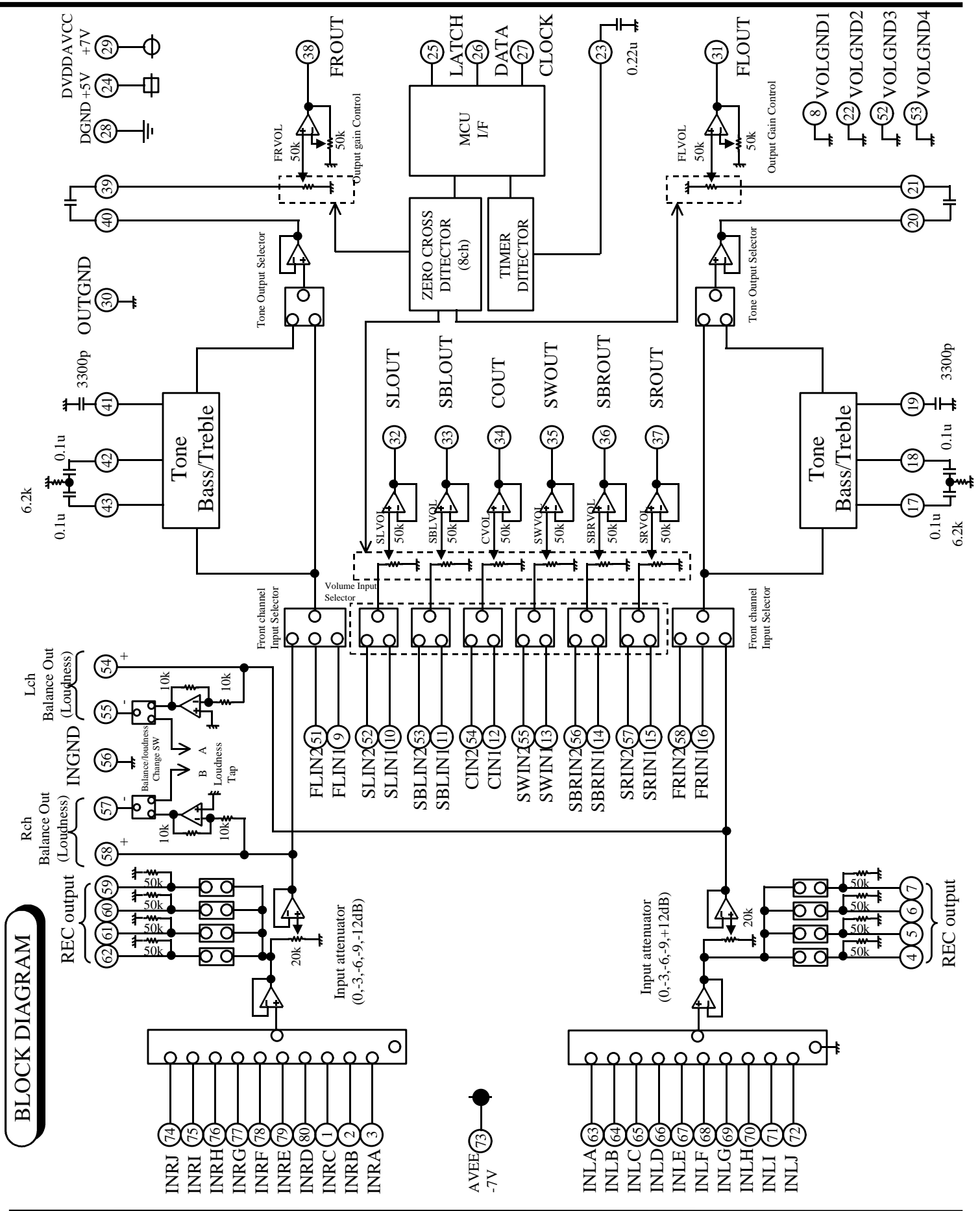
### (4) Tone control characteristics

Unless otherwise noted,Front channel Input selector=external IN1,Tone Output Selector=Tone,  
Input pin9,16 , Output pin20,40

Parameter	Symbol	Test condition	Limits			Unit
			Min	typ	Max	
Tone control voltage gain (Boost/Bass)	G(BASS)B	f=100Hz Bass +10dB setting	+8	+10	+12	dB
Tone control voltage gain (Cut/Bass)	G(BASS)C	f=100Hz Bass -10dB setting	-8	-10	-12	dB
Tone control voltage gain (Boost/Treble)	G(TRE)B	f=10kHz Treble +10dB setting	+8	+10	+12	dB
Tone control voltage gain (Cut/Treble)	G(TRE)C	f=10kHz Treble -10dB setting	-8	-10	-12	dB
Balance between channels	BALT	Boost condition +10,-10dB	-2	0	+2	dB

# M61516FP

## 7.1ch ELECTRONIC VOLUME WITH 10 INPUT SELECTOR



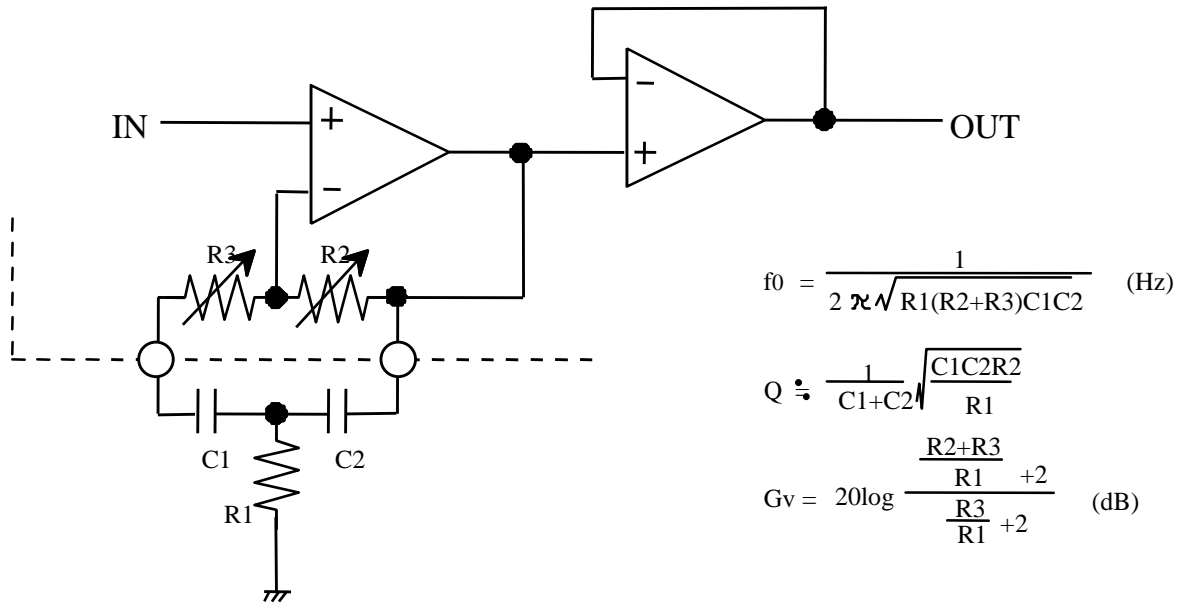
# M61516FP

## 7.1ch ELECTRONIC VOLUME WITH 10 INPUT SELECTOR

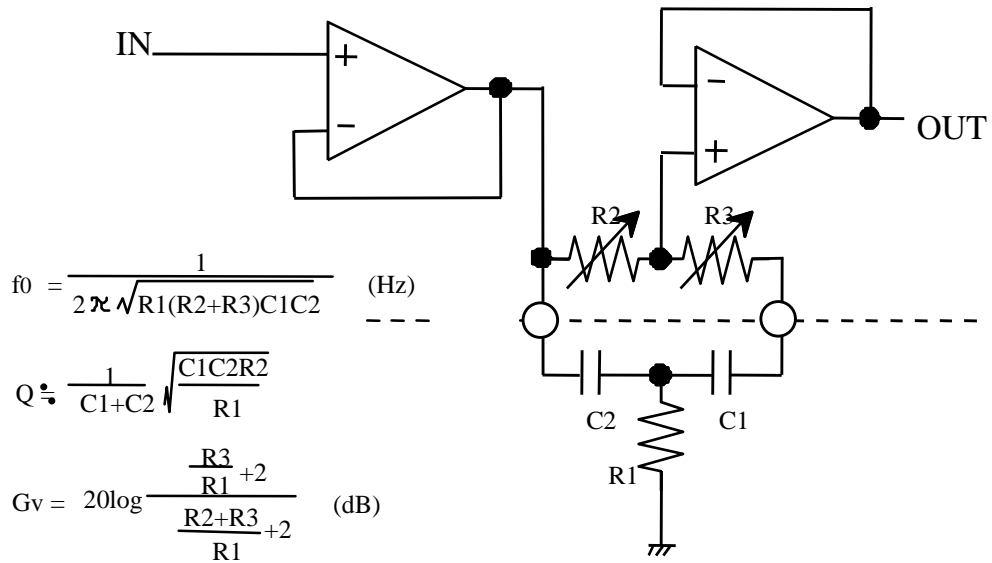
### TONE CONTROL

(1) Bass

<Boost>



<Cut>

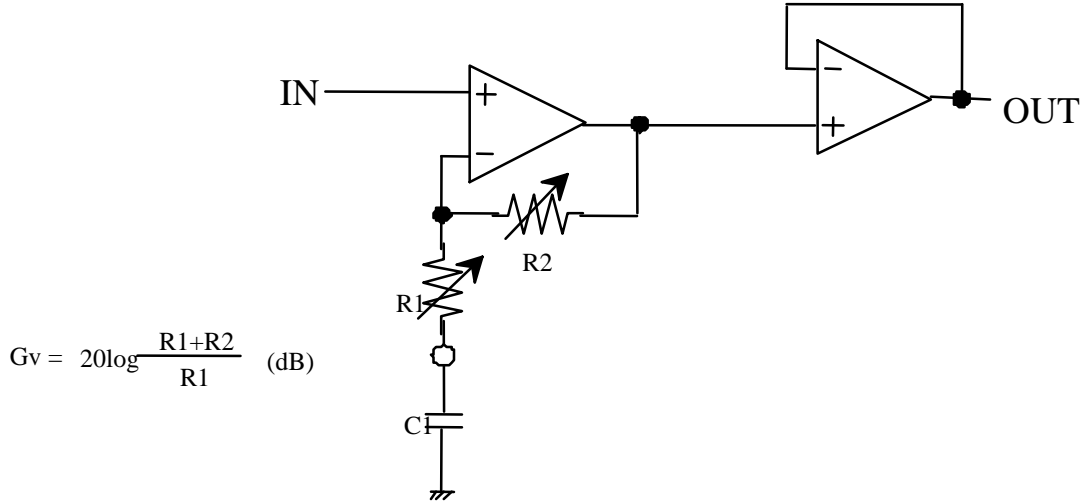


# M61516FP

## 7.1ch ELECTRONIC VOLUME WITH 10 INPUT SELECTOR

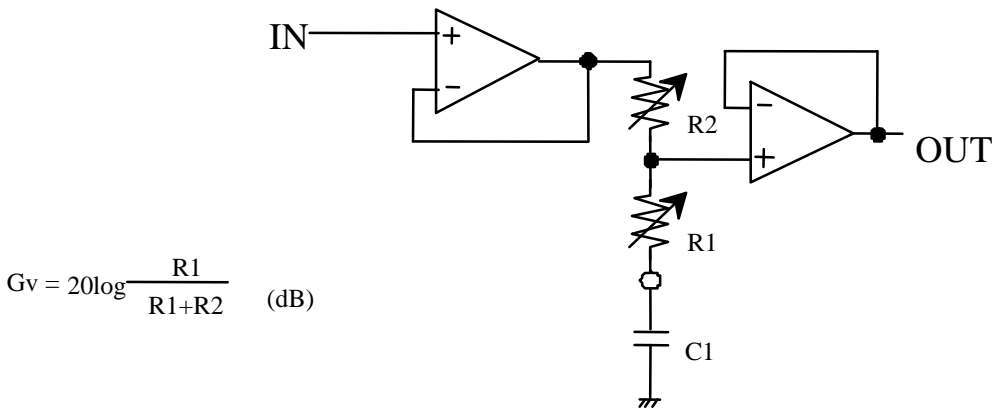
(2) Treble

<Boost>



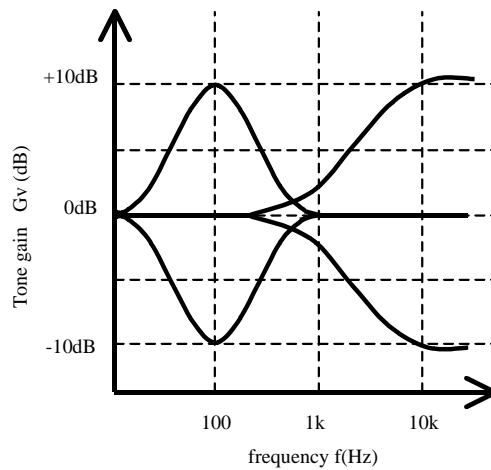
$$G_v = 20 \log \frac{R_1 + R_2}{R_1} \quad (\text{dB})$$

<Cut>



$$G_v = 20 \log \frac{R_1}{R_1 + R_2} \quad (\text{dB})$$

<Curve of characteristics>



# M61516FP

## 7.1ch ELECTRONIC VOLUME WITH 10 INPUT SELECTOR

### Balance/Loudness

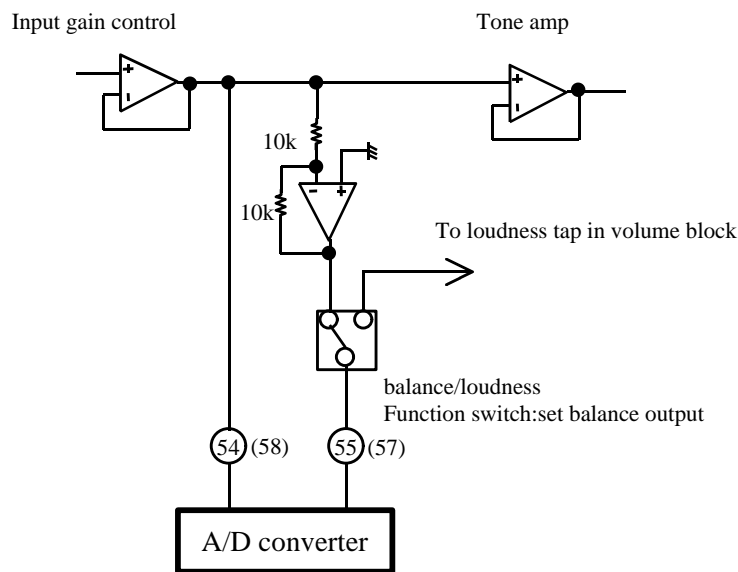
M61516FP has balance output (L/R channel) for external A/D converter.

The balance output (negative side/pin55,57)can use not only balance output also loudness capacitor connection terminal.(for loudness frequency setting) Please choose balance output or loudness capacitor connection terminal comply with your system.

Balance output and loudness function can't be used at the same time.

#### 1. Balance output

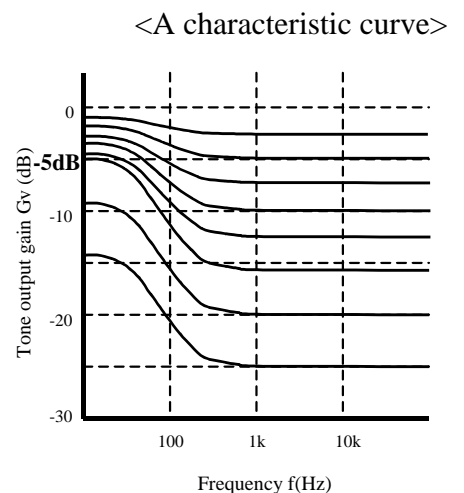
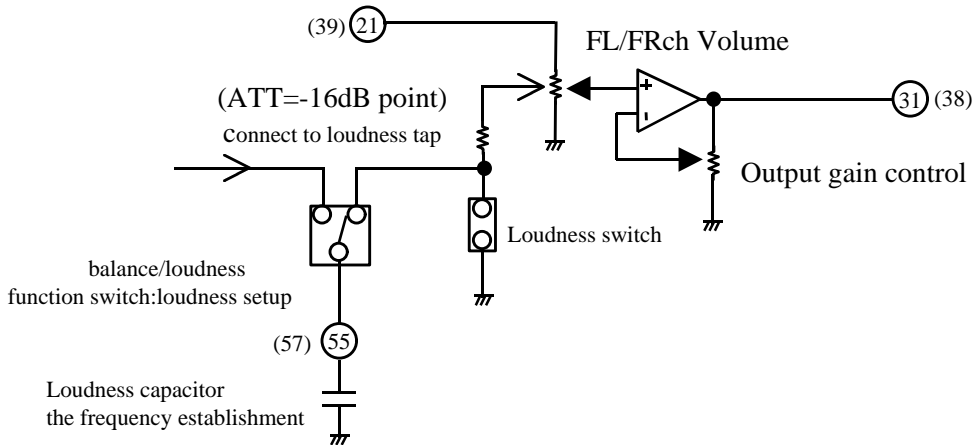
Balance/Loudness function switch setting:Balance Output(D26=0,D30=0,D31=0)



#### 2. Loudness

Balance/ Loudness function switch setting:loudness(D26=1,D30=0,D31=0)

M61516FP has loudness circuit center tap type in FL/FRch volume block





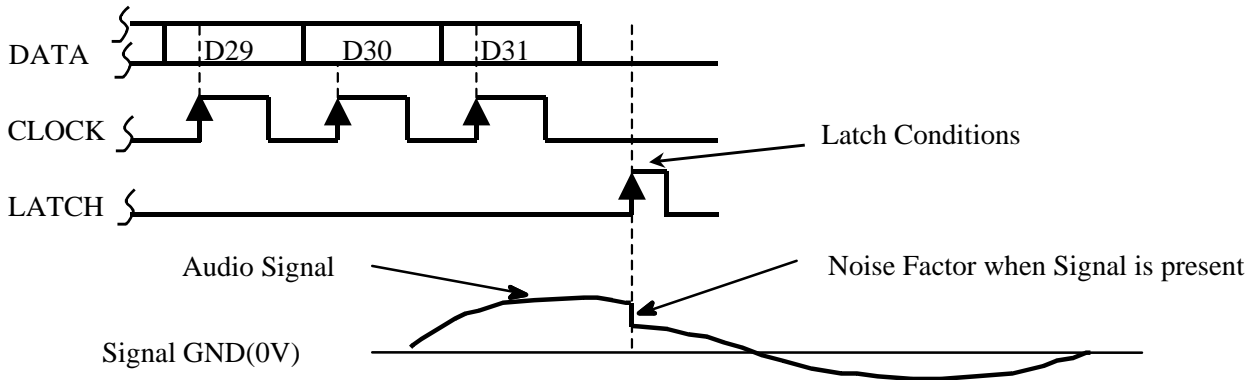
# M61516FP

## 7.1ch ELECTRONIC VOLUME WITH 10 INPUT SELECTOR

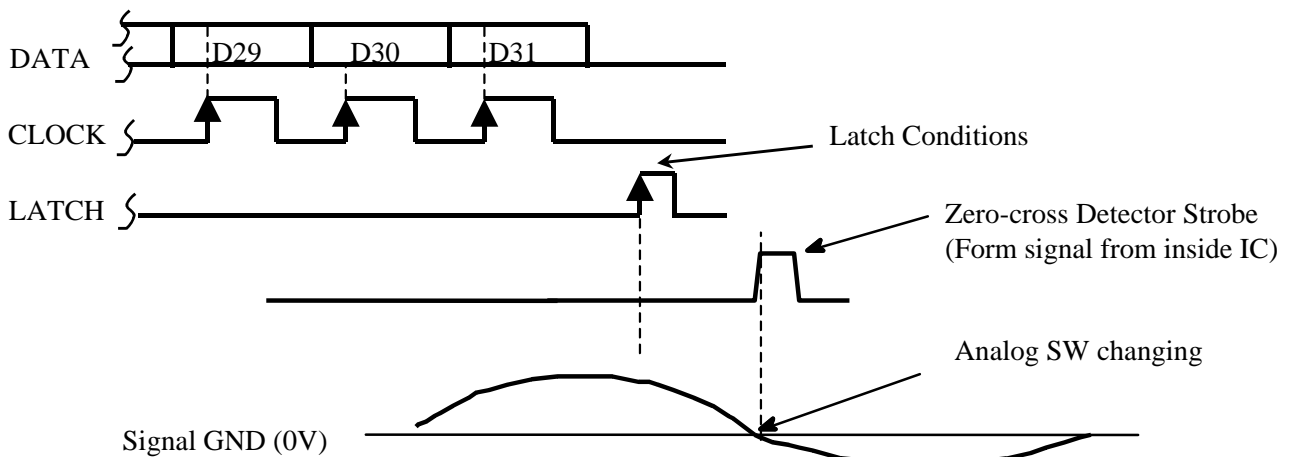
### ZERO-CROSSING DETECTION CIRCUIT

#### 1. Meaning of Zero-Crossing Detection Circuit

In the conventional Serial Data Control Type Volume, Analog SW inside switches over simultaneously with Latch Condition Detector. And the operation completes.



In this case the changing noise occurs at the time of Latch Condition Detector, the Analog SW switches over (Zero-cross Detector Strobe occurs) in the moment that the Analog Signal cross Signal Ground (0V).



Other, In the case of Audio Signal isn't inputted (No signal), even if only Zero-cross Detector Circuit detects Latch Condition, Analog SW doesn't switch over for the Audio Signal never cuts Signal Ground (0V). The Time Function switches the Analog SW after some time T.

The related type of C(PIN23) and T is as the following.

$$T = 13.8 \times 10^{-4} \cdot C \text{ (SEC)}$$

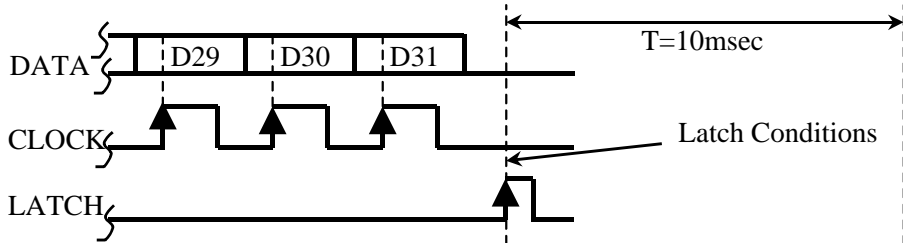
# M61516FP

## 7.1ch ELECTRONIC VOLUME WITH 10 INPUT SELECTOR

### 2. Connection of Zero-Crossing Detector and Timer Setting

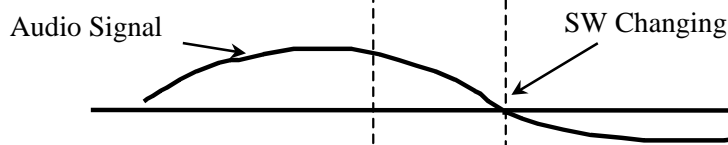
Internal analog SW moves by [Zero-cross Detector Strobe] or [Compulsion SW of Timer Circuit].

For example, case of  $T=10\text{msec}$ .



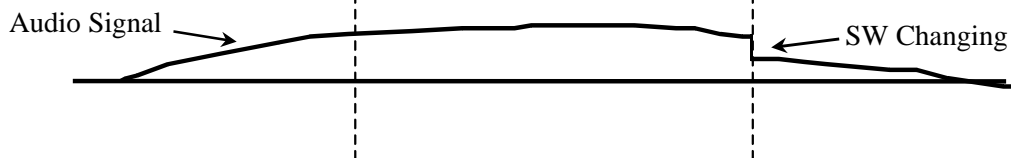
#### Pattern 1

Zero-cross Detector Strobe  
(Form signal from inside IC)



#### Pattern 2

Zero-cross Detector Strobe  
(Form signal from inside IC)



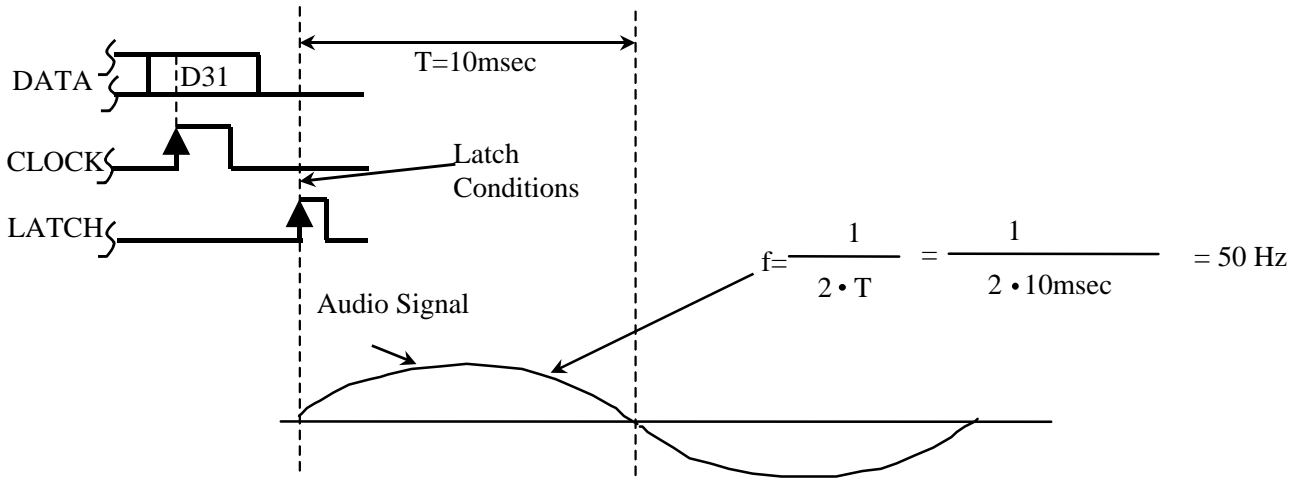
In case of Pattern1, the Zero-cross Detector Strobe occurs with the Zero-cross Detector Function, and SW is switched. But in case of Pattern2, the Timer Function switches the Analog SW after  $T=10\text{msec}$ , for the Audio Input Signal didn't cut the Signal Ground after  $T=10\text{msec}$  which were set with the timer.

Timer Setting Time setting for Frequency band of Input Audio Signal.

# M61516FP

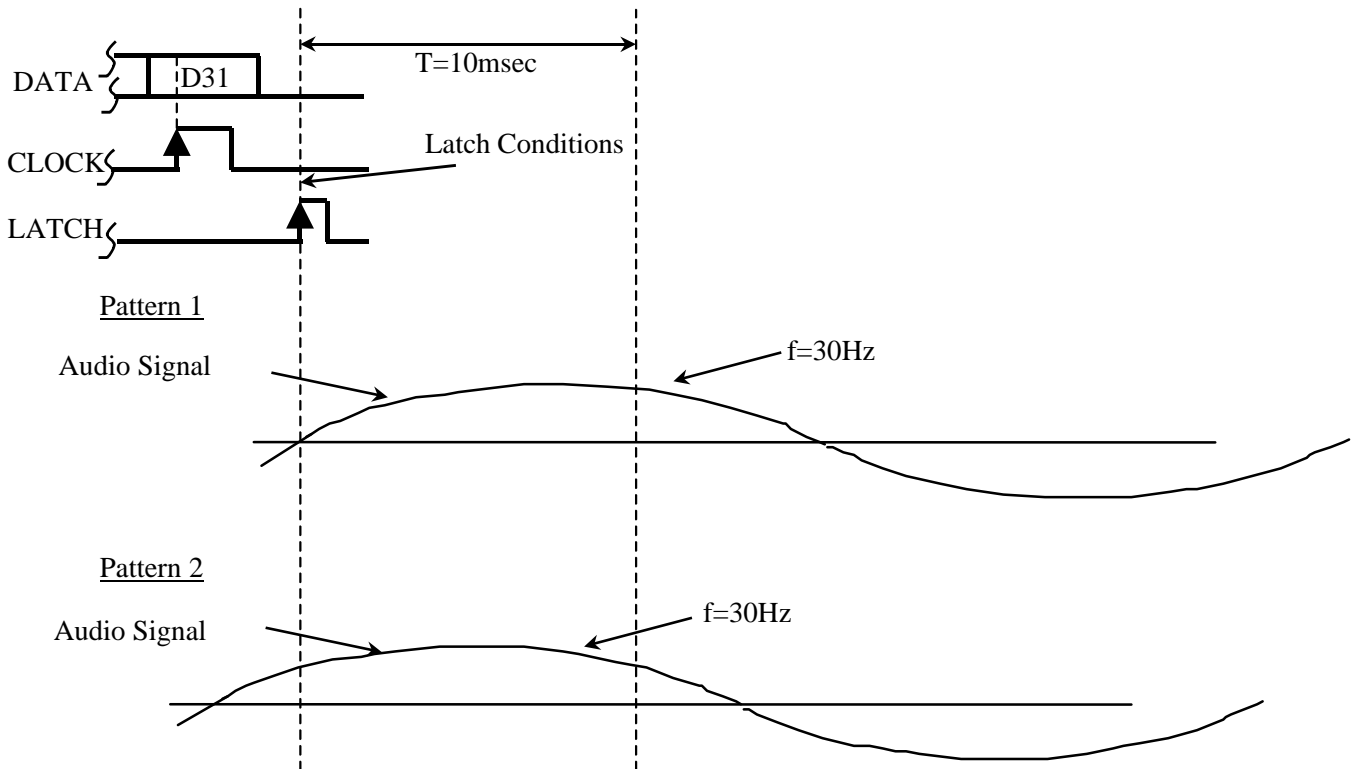
## 7.1ch ELECTRONIC VOLUME WITH 10 INPUT SELECTOR

### 3. Timer Setting System



In case of Timer Setting Time/T = 10 msec setting

Audio Signal	Zero-cross Detect	
50Hz ≤	OK	Upper fig.
50Hz ≥	OK	Pattern 1
	NG	Pattern 2



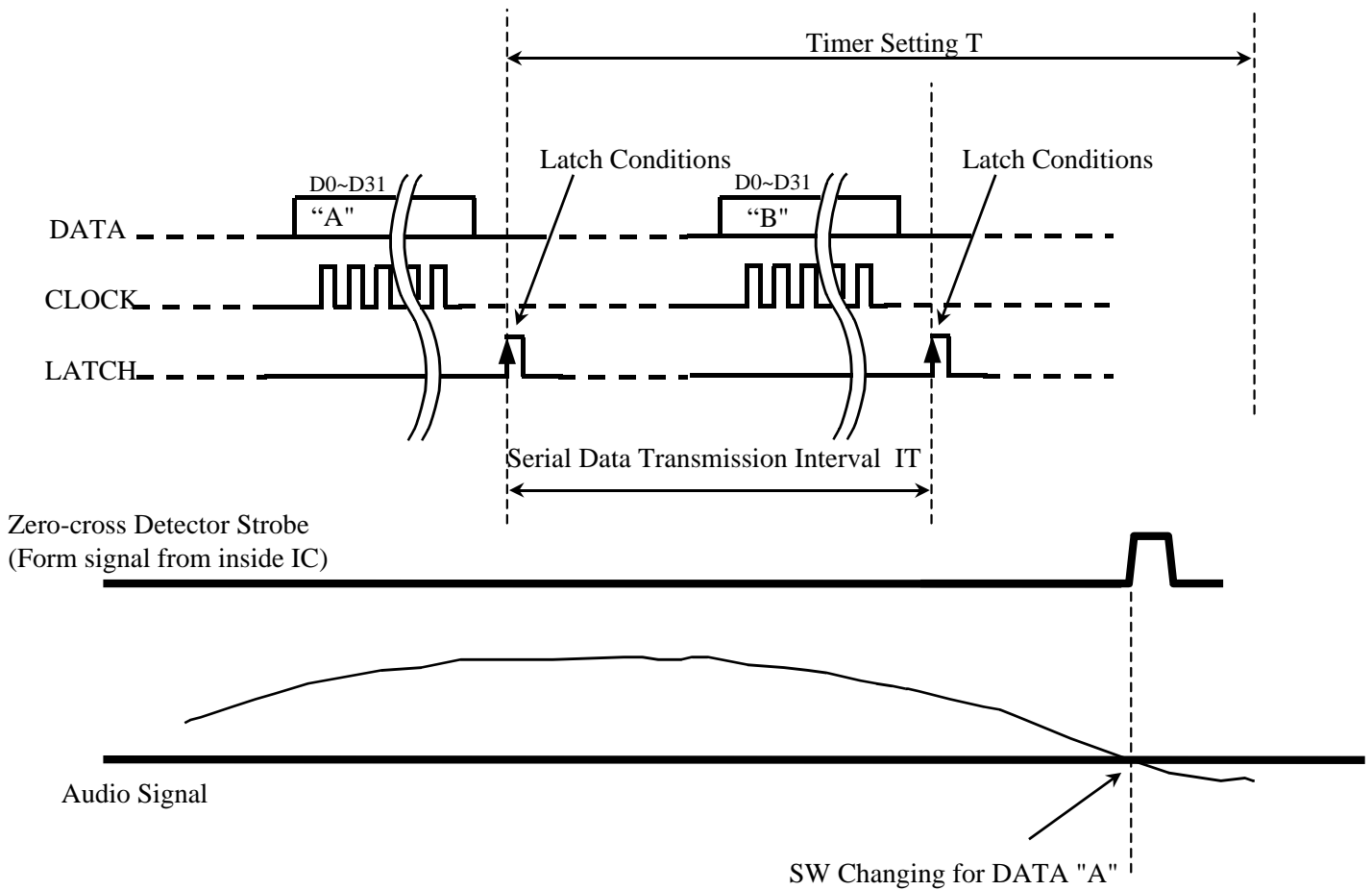
Timer Setting Time is about T=10msec usually .

# M61516FP

## 7.1ch ELECTRONIC VOLUME WITH 10 INPUT SELECTOR

### 4. Connection of Data Transmission and Timer Setting

M61516FP has the function to make the Serial Data invalid until it generates the Zero-cross Detector Strobe in IC, after the Latch Condition detected.



In case of upper figurative. The order of DATA "B" is invalid.

In to make the Serial Data Transmission Interval IT from MCU(microcomputer) to M61516FP

$$\text{Serial Data Transmission Interval} = IT > \text{Timer Setting} = T$$

the reading error of the data doesn't occur.

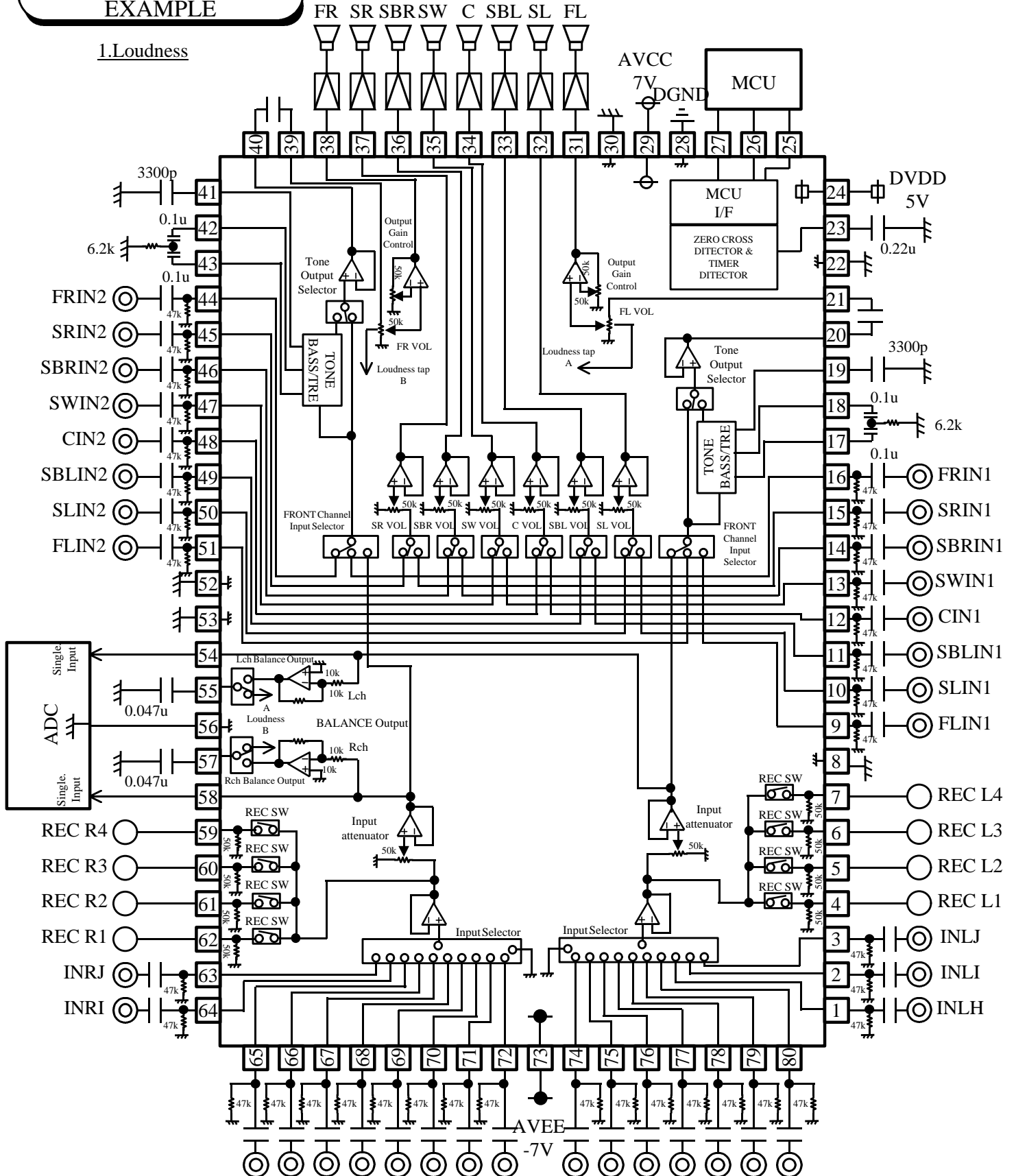
Serial Data Transmission Interval IT = Interval of between Latch Condition and Latch Condition

# M61516FP

## 7.1ch ELECTRONIC VOLUME WITH 10 INPUT SELECTOR

**APPLICATION EXAMPLE**

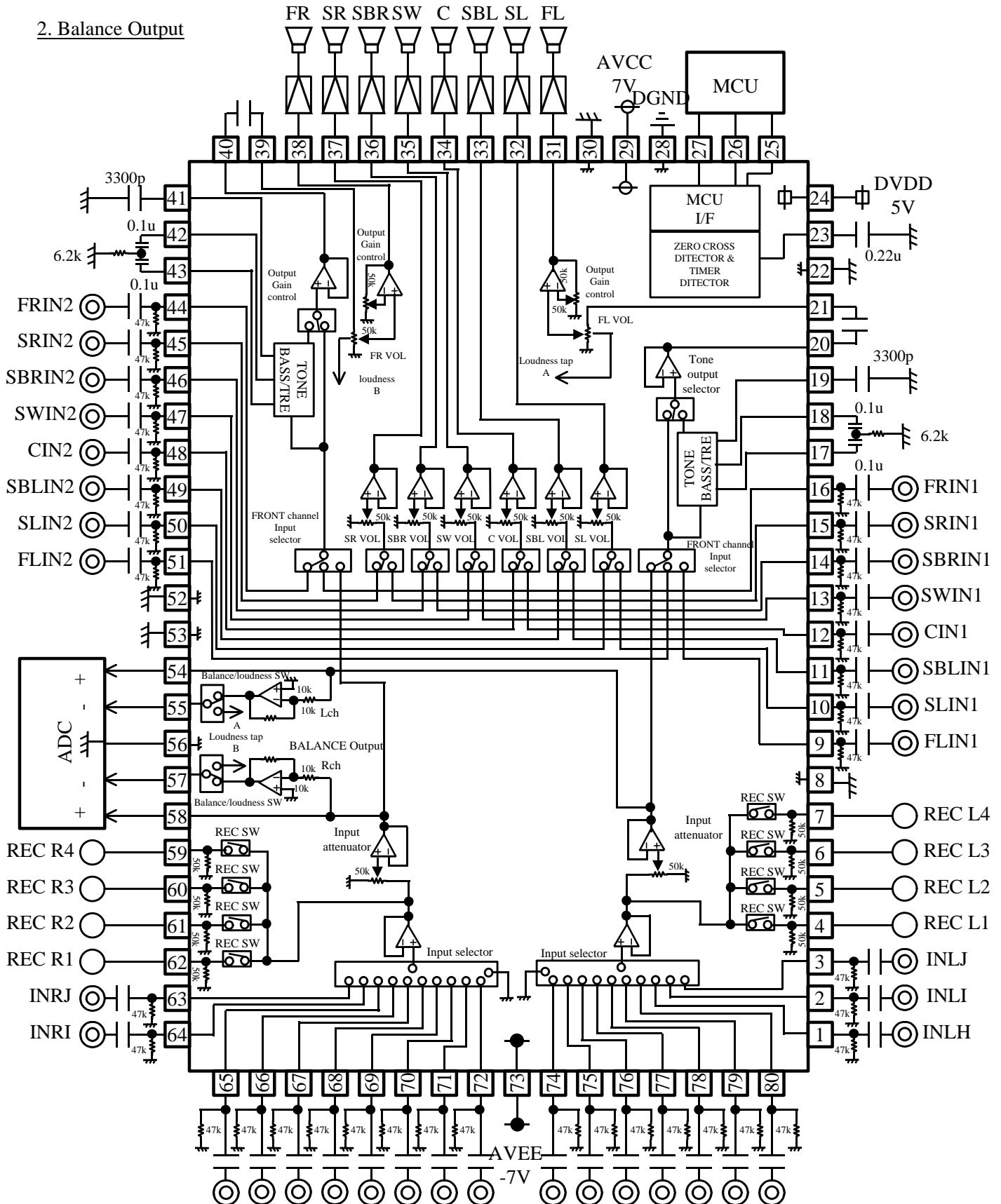
1.Loudness



# M61516FP

## 7.1ch ELECTRONIC VOLUME WITH 10 INPUT SELECTOR

### 2. Balance Output



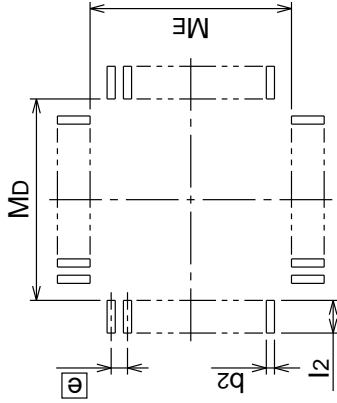
# M61516FP

## 7.1ch ELECTRONIC VOLUME WITH 10 INPUT SELECTOR

### DETAILED DIAGRAM OF PACKAGE OUTLINE

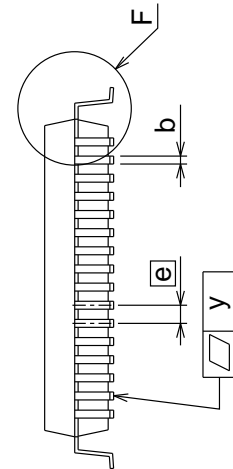
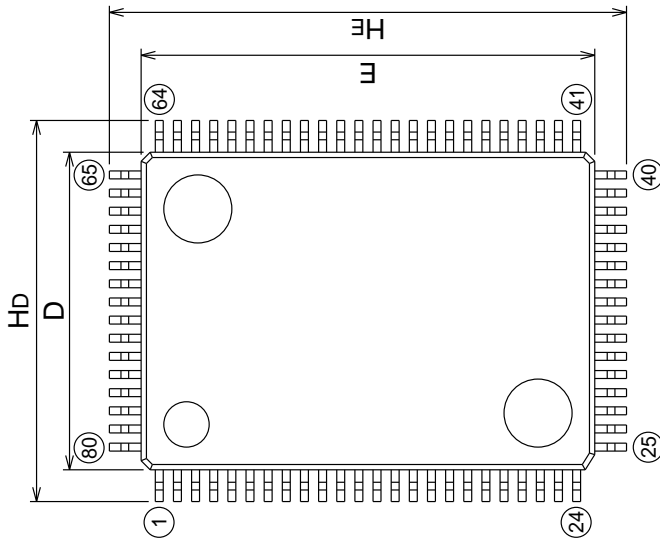
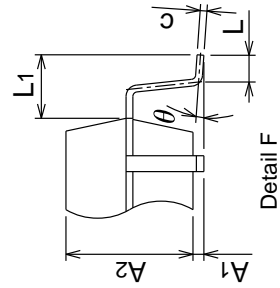
#### 80P6N-A Plastic 80pin 14X20mm body QFP

EIAJ Package Code	JEDEC Code	Weight(g)	Lead Material
QFP80-P-1420-0.80	-	1.58	Alloy 42



Recommended Mount Pad

Symbol	Dimension in Millimeters		
	Min	Nom	Max
A	-	-	3.05
A1	0	0.1	0.2
A2	-	2.8	-
b	0.3	0.35	0.45
c	0.13	0.15	0.2
D	13.8	14.0	14.2
E	19.8	20.0	20.2
e	-	0.8	-
HD	16.5	16.8	17.1
HE	22.5	22.8	23.1
L	0.4	0.6	0.8
L1	-	1.4	-
y	-	-	0.1
θ	0°	-	10°
b2	-	0.5	-
l2	1.3	-	-
MD	-	14.6	-
ME	-	20.6	-



# M61516FP

## 7.1ch ELECTRONIC VOLUME WITH 10 INPUT SELECTOR

---

Keep safety first in your circuit designs!

●Mitsubishi Electric Corporation puts the maximum effort into making semiconductor products better and more reliable, but there is always the possibility that trouble may occur with them. Trouble with semiconductors may lead to personal injury, fire or property damage. Remember to give due consideration to safety when making your circuit designs, with appropriate measures such as (i) placement of substitutive, auxiliary circuits, (ii) use of non-flammable material or (iii) prevention against any malfunction or mishap.

Notes regarding these materials

●These materials are intended as a reference to assist our customers in the selection of the Mitsubishi semiconductor product best suited to the customer's application; they do not convey any license under any intellectual property rights, or any other rights, belonging to Mitsubishi Electric Corporation or a third party.

●Mitsubishi Electric Corporation assumes no responsibility for any damage, or infringement of any third-party's rights, originating in the use of any product data, diagrams, charts, programs, algorithms, or circuit application examples contained in these materials.

●All information contained in these materials, including product data, diagrams, charts, programs and algorithms represents information on products at the time of publication of these materials, and are subject to change by Mitsubishi Electric Corporation without notice due to product improvements or other reasons. It is therefore recommended that customers contact Mitsubishi Electric Corporation or an authorized Mitsubishi Semiconductor product distributor for the latest product information before purchasing a product listed herein.

The information described here may contain technical inaccuracies or typographical errors. Mitsubishi Electric Corporation assumes no responsibility for any damage, liability, or other loss rising from these inaccuracies or errors.

Please also pay attention to information published by Mitsubishi Electric Corporation by various means, including the Mitsubishi Semiconductor home page (<http://www.mitsubishichips.com>).

●When using any or all of the information contained in these materials, including product data, diagrams, charts, programs, and algorithms, please be sure to evaluate all information as a total system before making a final decision on the applicability of the information and products. Mitsubishi Electric Corporation assumes no responsibility for any damage, liability or other loss resulting from the information contained herein.

●Mitsubishi Electric Corporation semiconductors are not designed or manufactured for use in a device or system that is used under circumstances in which human life is potentially at stake. Please contact Mitsubishi Electric Corporation or an authorized Mitsubishi Semiconductor product distributor when considering the use of a product contained herein for any specific purposes, such as apparatus or systems for transportation, vehicular, medical, aerospace, nuclear, or undersea repeater use.

●The prior written approval of Mitsubishi Electric Corporation is necessary to reprint or reproduce in whole or in part these materials.

●If these products or technologies are subject to the Japanese export control restrictions, they must be exported under a license from the Japanese government and cannot be imported into a country other than the approved destination.

Any diversion or reexport contrary to the export control laws and regulations of Japan and/or the country of destination is prohibited.

●Please contact Mitsubishi Electric Corporation or an authorized Mitsubishi Semiconductor product distributor for further details on these materials or the products contained therein.