



**ADVANCE
INFORMATION**

S29GLxxxA MirrorBit™ Flash Family

S29GL064A, S29GL032A

**64 Megabit, 32 Megabit 3.0, Volt-only Page Mode Flash
Memory Featuring 200 nm MirrorBit Process Technology**

Data Sheet

Notice to Readers: The Advance Information status indicates that this document contains information on one or more products under development at Spansion LLC. The information is intended to help you evaluate this product. Do not design in this product without contacting the factory. Spansion LLC reserves the right to change or discontinue work on this proposed product without notice.

This page intentionally left blank.

S29GLxxxA MirrorBit™ Flash Family

S29GL064A, S29GL032A

64 Megabit, 32 Megabit 3.0, Volt-only Page Mode Flash

Memory Featuring 200 nm MirrorBit Process Technology



Data Sheet

ADVANCE
INFORMATION

Distinctive Characteristics

Architectural Advantages

- **Single power supply operation**
 - 3 volt read, erase, and program operations
- **Manufactured on 200 nm MirrorBit process technology**
- **Secured Silicon Sector region**
 - 128-word/256-byte sector for permanent, secure identification through an 8-word/16-byte random Electronic Serial Number, accessible through a command sequence
 - May be programmed and locked at the factory or by the customer
- **Flexible sector architecture**
 - 64Mb (uniform sector models): 128 32 Kword (64 KB) sectors
 - 64Mb (boot sector models): 127 32 Kword (64 KB) sectors + 8 4Kword (8KB) boot sectors
 - 32Mb (uniform sector models): 64 32Kword (64KB) sectors
 - 32Mb (boot sector models): 63 32Kword (64KB) sectors + 8 4Kword (8KB) boot sectors
- **Compatibility with JEDEC standards**
 - Provides pinout and software compatibility for single-power supply flash, and superior inadvertent write protection
- **100,000 erase cycles typical per sector**
- **20-year data retention typical**

Performance Characteristics

- **High performance**
 - 90 ns access time
 - 4-word/8-byte page read buffer
 - 25 ns page read times
 - 16-word/32-byte write buffer which reduces overall programming time for multiple-word updates
- **Low power consumption (typical values at 3.0 V, 5 MHz)**
 - 18 mA typical active read current
 - 50 mA typical erase/program current
 - 1 μ A typical standby mode current

Package options

- 48-pin TSOP
- 56-pin TSOP
- 64-ball Fortified BGA
- 48-ball fine-pitch BGA

Software & Hardware Features

Software features

- Program Suspend & Resume: read other sectors before programming operation is completed
- Erase Suspend & Resume: read/program other sectors before an erase operation is completed
- Data# polling & toggle bits provide status
- CFI (Common Flash Interface) compliant: allows host system to identify and accommodate multiple flash devices
- Unlock Bypass Program command reduces overall multiple-word programming time

Hardware features

- Sector Group Protection: hardware-level method of preventing write operations within a sector group
- Temporary Sector Unprotect: V_{ID} -level method of charging code in locked sectors
- WP#/ACC input accelerates programming time (when high voltage is applied) for greater throughput during system production. Protects first or last sector regardless of sector protection settings on uniform sector models
- Hardware reset input (RESET#) resets device
- Ready/Busy# output (RY/BY#) detects program or erase cycle completion

Notice On Data Sheet Designations

SpanSion LLC issues data sheets with Advance Information or Preliminary designations to advise readers of product information or intended specifications throughout the product life cycle, including development, qualification, initial production, and full production. In all cases, however, readers are encouraged to verify that they have the latest information before finalizing their design. The following descriptions of SpanSion data sheet designations are presented here to highlight their presence and definitions.

Advance Information

The Advance Information designation indicates that SpanSion LLC is developing one or more specific products, but has not committed any design to production. Information presented in a document with this designation is likely to change, and in some cases, development on the product may discontinue. SpanSion LLC therefore places the following conditions upon Advance Information content:

"This document contains information on one or more products under development at SpanSion LLC. The information is intended to help you evaluate this product. Do not design in this product without contacting the factory. SpanSion LLC reserves the right to change or discontinue work on this proposed product without notice."

Preliminary

The Preliminary designation indicates that the product development has progressed such that a commitment to production has taken place. This designation covers several aspects of the product life cycle, including product qualification, initial production, and the subsequent phases in the manufacturing process that occur before full production is achieved. Changes to the technical specifications presented in a Preliminary document should be expected while keeping these aspects of production under consideration. SpanSion places the following conditions upon Preliminary content:

"This document states the current technical specifications regarding the SpanSion product(s) described herein. The Preliminary status of this document indicates that product qualification has been completed, and that initial production has begun. Due to the phases of the manufacturing process that require maintaining efficiency and quality, this document may be revised by subsequent versions or modifications due to changes in technical specifications."

Combination

Some data sheets will contain a combination of products with different designations (Advance Information, Preliminary, or Full Production). This type of document will distinguish these products and their designations wherever necessary, typically on the first page, the ordering information page, and pages with DC Characteristics table and AC Erase and Program table (in the table notes). The disclaimer on the first page refers the reader to the notice on this page.

Full Production (No Designation on Document)

When a product has been in production for a period of time such that no changes or only nominal changes are expected, the Preliminary designation is removed from the data sheet. Nominal changes may include those affecting the number of ordering part numbers available, such as the addition or deletion of a speed option, temperature range, package type, or V_{IO} range. Changes may also include those needed to clarify a description or to correct a typographical error or incorrect specification. SpanSion LLC applies the following conditions to documents in this category:

"This document states the current technical specifications regarding the SpanSion product(s) described herein. SpanSion LLC deems the products to have been in sufficient production volume such that subsequent versions of this document are not expected to change. However, typographical or specification corrections, or modifications to the valid combinations offered may occur."

Questions regarding these document designations may be directed to your local AMD or Fujitsu sales office.

General Description

The S29GLxxxA family of devices are 3.0 V single power Flash memory manufactured using 200 nm MirrorBit technology. The S29GL064A is a 64 Mb, organized as 4,194,304 words or 8,388,608 bytes. The S29GL032A is a 32 Mb, organized as 2,097,152 words or 4,194,304 bytes. Depending on the model number, the devices have an 8-bit wide data bus only, 16-bit wide data bus only, or a 16-bit wide data bus that can also function as an 8-bit wide data bus by using the BYTE# input. The devices can be programmed either in the host system or in standard EPROM programmers.

Access times as fast as 90 ns are available. Note that each access time has a specific operating voltage range (V_{CC}) as specified in the [Product Selector Guide](#) and the [Ordering Information](#) sections. Package offerings include 48-pin TSOP, 56-pin TSOP, 48-ball fine-pitch BGA and 64-ball Fortified BGA, depending on model number. Each device has separate chip enable (CE#), write enable (WE#) and output enable (OE#) controls.

Each device requires only a **single 3.0 volt power supply** for both read and write functions. In addition to a V_{CC} input, a high-voltage **accelerated program (ACC)** feature provides shorter programming times through increased current on the WP#/ACC input. This feature is intended to facilitate factory throughput during system production, but may also be used in the field if desired.

The device is entirely command set compatible with the **JEDEC single-power-supply Flash standard**. Commands are written to the device using standard microprocessor write timing. Write cycles also internally latch addresses and data needed for the programming and erase operations.

The **sector erase architecture** allows memory sectors to be erased and reprogrammed without affecting the data contents of other sectors. The device is fully erased when shipped from the factory.

Device programming and erasure are initiated through command sequences. Once a program or erase operation has begun, the host system need only poll the DQ7 (Data# Polling) or DQ6 (toggle) **status bits** or monitor the **Ready/Busy# (RY/BY#)** output to determine whether the operation is complete. To facilitate programming, an **Unlock Bypass** mode reduces command sequence overhead by requiring only two write cycles to program data instead of four.

Hardware data protection measures include a low V_{CC} detector that automatically inhibits write operations during power transitions. The hardware sector protection feature disables both program and erase operations in any combination of sectors of memory. This can be achieved in-system or via programming equipment.

The **Erase Suspend/Erase Resume** feature allows the host system to pause an erase operation in a given sector to read or program any other sector and then complete the erase operation. The **Program Suspend/Program Resume** feature enables the host system to pause a program operation in a given sector to read any other sector and then complete the program operation.

The **hardware RESET# pin** terminates any operation in progress and resets the device, after which it is then ready for a new operation. The RESET# pin may be tied to the system reset circuitry. A system reset would thus also reset the device, enabling the host system to read boot-up firmware from the Flash memory device.

The device reduces power consumption in the **standby mode** when it detects specific voltage levels on CE# and RESET#, or when addresses have been stable for a specified period of time.

The **Write Protect (WP#)** feature protects the first or last sector by asserting a logic low on the WP#/ACC pin or WP# pin, depending on model number. The protected sector will still be protected even during accelerated programming.

The **Secured Silicon Sector** provides a 128-word/256-byte area for code or data that can be permanently protected. Once this sector is protected, no further changes within the sector can occur.

Spansion MirrorBit flash technology combines years of Flash memory manufacturing experience to produce the highest levels of quality, reliability and cost effectiveness. The device electrically erases all bits within a sector simultaneously via hot-hole assisted erase. The data is programmed using hot electron injection.

Table of Contents

| | | | |
|--|-----------|--|-----------|
| General Description | 3 | Write Pulse “Glitch” Protection | 38 |
| Product Selector Guide | 7 | Logical Inhibit | 38 |
| S29GL064A, S29GL032A | 7 | Power-Up Write Inhibit | 38 |
| Block Diagram | 7 | Common Flash Memory Interface (CFI) | 39 |
| Pin Descriptions | 11 | Table 21. CFI Query Identification String | 39 |
| Logic Symbol-S29GL064A (Model R6, R7) | 14 | Table 22. System Interface String | 40 |
| Ordering Information-S29GL032A | 15 | Command Definitions | 43 |
| S29GL032A Standard Products | 15 | Reading Array Data | 43 |
| Table 1. S29GL032A Ordering Options | 16 | Reset Command | 43 |
| Ordering Information-S29GL064A | 17 | Autoselect Command Sequence | 44 |
| S29GL064A Standard Products | 17 | Enter Secured Silicon Sector/Exit Secured Silicon | |
| Table 2. S29GL064A Valid Combinations | 18 | Sector Command Sequence | 44 |
| Device Bus Operations | 19 | Word Program Command Sequence | 44 |
| Table 3. Device Bus Operations | 19 | Unlock Bypass Command Sequence | 45 |
| Word/Byte Configuration | 20 | Write Buffer Programming | 45 |
| Requirements for Reading Array Data | 20 | Accelerated Program | 47 |
| Page Mode Read | 20 | Figure 3. Write Buffer Programming Operation | 48 |
| Writing Commands/Command Sequences | 20 | Figure 4. Program Operation | 49 |
| Write Buffer | 21 | Program Suspend/Program Resume Command Sequence | 49 |
| Accelerated Program Operation | 21 | Figure 5. Program Suspend/Program Resume | 50 |
| Autoselect Functions | 21 | Chip Erase Command Sequence | 50 |
| Standby Mode | 21 | Sector Erase Command Sequence | 52 |
| Automatic Sleep Mode | 22 | Figure 6. Erase Operation | 53 |
| RESET#: Hardware Reset Pin | 22 | Erase Suspend/Erase Resume Commands | 53 |
| Output Disable Mode | 22 | Command Definitions | 55 |
| Table 4. S29GL032M (Models R1, R2) Sector Addresses | 23 | Table 25. Command Definitions (x16 Mode, BYTE# = V _{IH}) | 55 |
| Table 5. S29GL032M (Models R3) Top Boot Sector Addresses | 24 | Table 26. Command Definitions (x8 Mode, BYTE# = V _{IL}) | 56 |
| Table 6. S29GL032M (Models R4) Bottom Boot | | Write Operation Status | 57 |
| Sector Addresses | 24 | DQ7: Data# Polling | 57 |
| Table 7. S29GL064A (Models R1, R2, R8, R9) Sector Addresses | 25 | Figure 7. Data# Polling Algorithm | 58 |
| Table 8. S29GL064A (Model R3) Top Boot Sector Addresses | 26 | RY/BY#: Ready/Busy# | 58 |
| Table 9. S29GL064A (Model R4) Bottom Boot Sector Addresses | 27 | DQ6: Toggle Bit I | 59 |
| Table 10. S29GL064A (Model R5) Sector Addresses | 28 | Figure 8. Toggle Bit Algorithm | 60 |
| Table 11. S29GL064A (Models R6, R7) Sector Addresses | 29 | DQ2: Toggle Bit II | 61 |
| Autoselect Mode | 30 | Reading Toggle Bits DQ6/DQ2 | 61 |
| Table 12. Autoselect Codes, (High Voltage Method) | 31 | DQ5: Exceeded Timing Limits | 61 |
| Sector Group Protection and Unprotection | 31 | DQ3: Sector Erase Timer | 62 |
| Table 13. S29GL032A (Models R1, R2) Sector Group Protection/Unprotection Addresses | 32 | DQ1: Write-to-Buffer Abort | 62 |
| Table 14. S29GL032A (Models R3) Sector Group Protection/Unprotection Address Table | 32 | Table 27. Write Operation Status | 63 |
| Table 15. S29GL032A (Models R4) Sector Group Protection/Unprotection Address Table | 32 | Absolute Maximum Ratings | 64 |
| Table 16. S29GL064A (Models R1, R2, R8, R9) Sector Group Protection/Unprotection Addresses | 32 | Figure 9. Maximum Negative Overshoot Waveform | 64 |
| Table 17. S29GL064A (Model R3) Top Boot Sector Protection/Unprotection Addresses | 33 | Figure 10. Maximum Positive | |
| Table 18. S29GL064A (Model R4) Bottom Boot Sector Protection/Unprotection Addresses | 33 | Overshoot Waveform | 64 |
| Table 19. S29GL064A (Model R5) Sector Group Protection/Unprotection Addresses | 33 | Operating Ranges | 64 |
| Table 20. S29GL064A (Models R6, R7) Sector Group Protection/Unprotection Addresses | 33 | DC Characteristics | 65 |
| Temporary Sector Group Unprotect | 34 | Test Conditions | 66 |
| Figure 1. Temporary Sector Group Unprotect Operation | 34 | Figure 11. Test Setup | 66 |
| Figure 2. In-System Sector Group Protect/Unprotect Algorithms | 35 | Table 28. Test Specifications | 66 |
| Secured Silicon Sector Flash Memory Region | 36 | Key to Switching Waveforms | 66 |
| Write Protect (WP#) | 37 | Figure 12. Input Waveforms and Measurement Levels | 66 |
| Hardware Data Protection | 37 | Read-Only Operations-S29GL064A only | 67 |
| Low VCC Write Inhibit | 37 | Read-Only Operations-S29GL032A only | 67 |
| | | Figure 13. Read Operation Timings | 68 |
| | | Figure 14. Page Read Timings | 68 |
| | | Hardware Reset (RESET#) | 69 |
| | | Figure 15. Reset Timings | 69 |
| | | Erase and Program Operations-S29GL064A Only | 70 |
| | | Erase and Program Operations-S29GL032A Only | 71 |
| | | Figure 16. Program Operation Timings | 72 |
| | | Figure 17. Accelerated Program Timing Diagram | 72 |

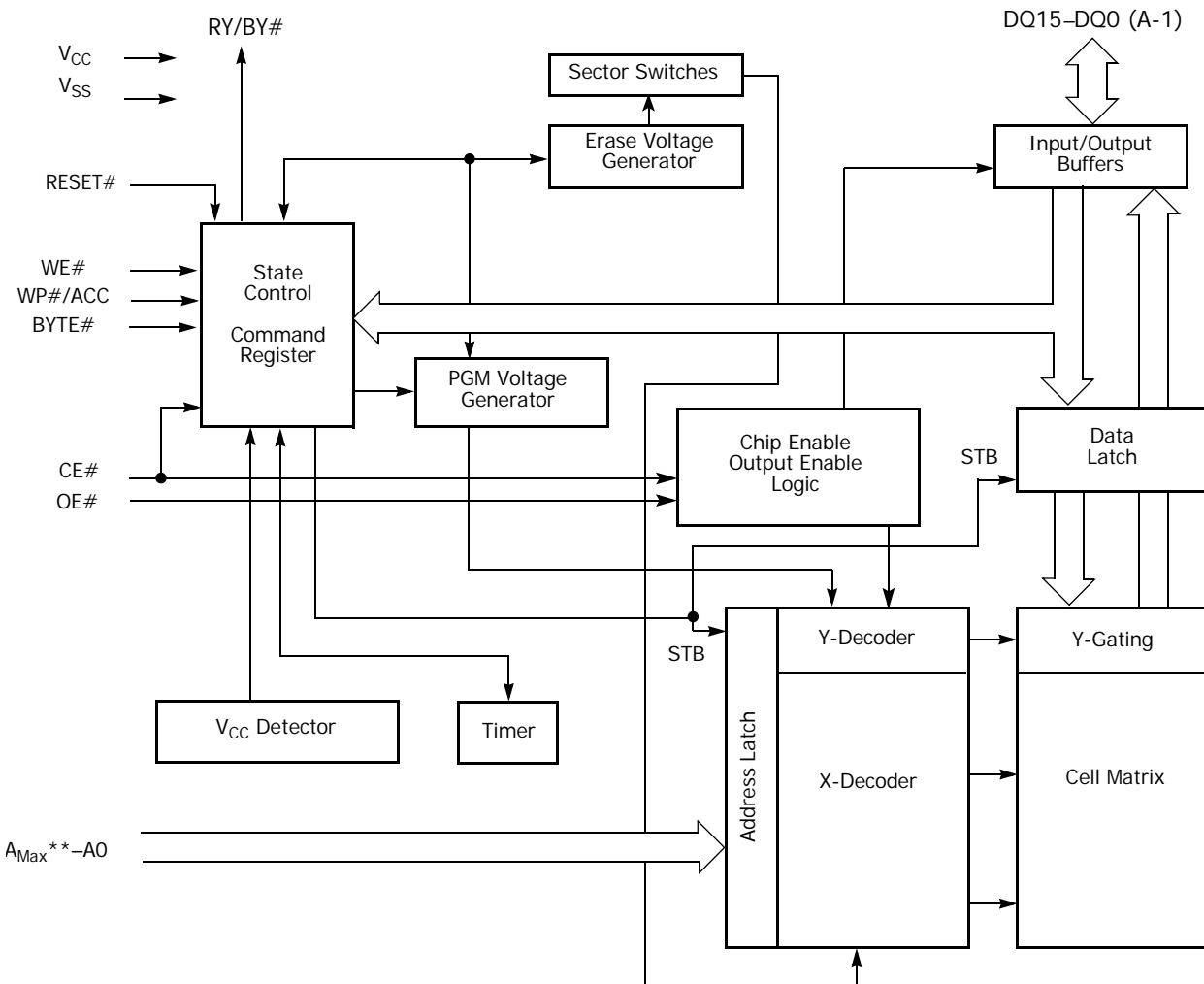
| | | | |
|--|----|--|-----------|
| Figure 18. Chip/Sector Erase Operation Timings | 73 | Program Operations-S29GL032A | 78 |
| Figure 19. Data# Polling Timings (During Embedded Algorithms) | 73 | Figure 24. Alternate CE# Controlled Write (Erase/Program) Operation Timings | 79 |
| Figure 20. Toggle Bit Timings (During Embedded Algorithms) .. | 74 | Erase And Programming Performance | 80 |
| Figure 21. DQ2 vs. DQ6 | 74 | TSOP Pin and BGA Package Capacitance | 81 |
| Temporary Sector Unprotect | 75 | TS048—48-Pin Standard Thin Small Outline Package (TSOP) | 82 |
| Figure 22. Temporary Sector Group Unprotect Timing Diagram | 75 | TS056—56-Pin Standard Thin Small Outline Package (TSOP) | 83 |
| Figure 23. Sector Group Protect and Unprotect Timing Diagram | 76 | LAA064—64-Ball Fortified Ball Grid Array (BGA) | 84 |
| Alternate CE# Controlled Erase and Program Operations-S29GL064A | 77 | Revision Summary | 86 |
| Alternate CE# Controlled Erase and | | | |

Product Selector Guide

S29GL064A, S29GL032A

| Part Number | S29GL064A | | | S29GL032A | | |
|----------------------------|-----------|-----|-----|-----------|-----|-----|
| | 90 | 10 | 11 | 90 | 10 | 11 |
| Speed Option | 90 | 10 | 11 | 90 | 10 | 11 |
| Max. Access Time (ns) | 90 | 100 | 110 | 90 | 100 | 110 |
| Max. CE# Access Time (ns) | 90 | 100 | 110 | 90 | 100 | 110 |
| Max. Page Access Time (ns) | 25 | 30 | 30 | 25 | 30 | 30 |
| Max. OE# Access Time (ns) | 25 | 30 | 30 | 25 | 30 | 30 |

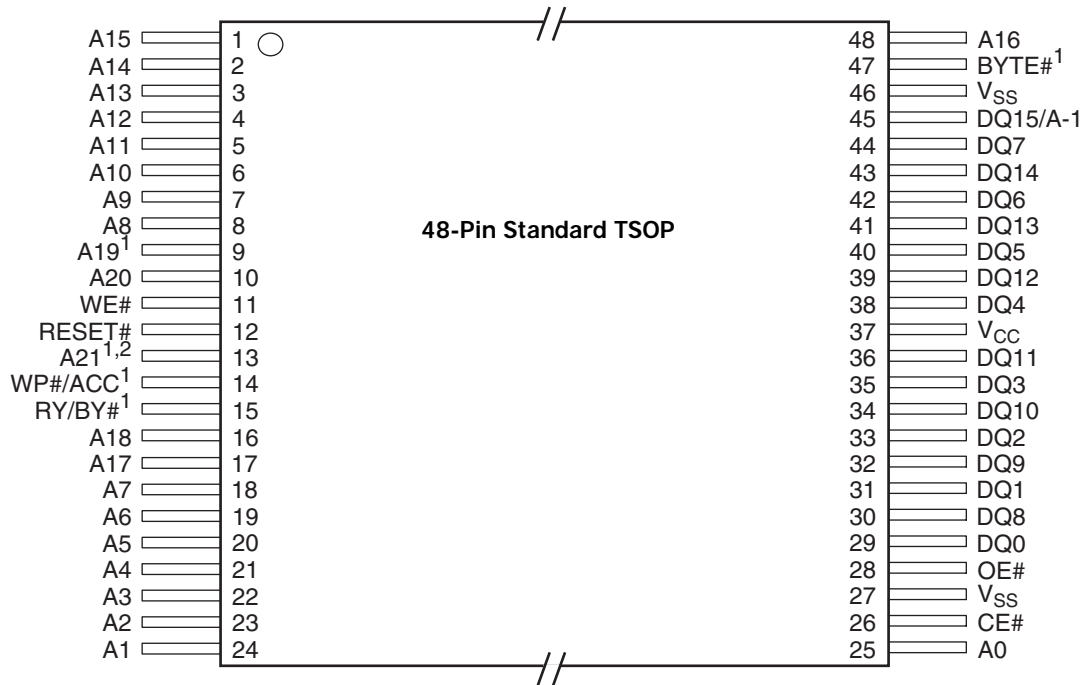
Block Diagram



Note:

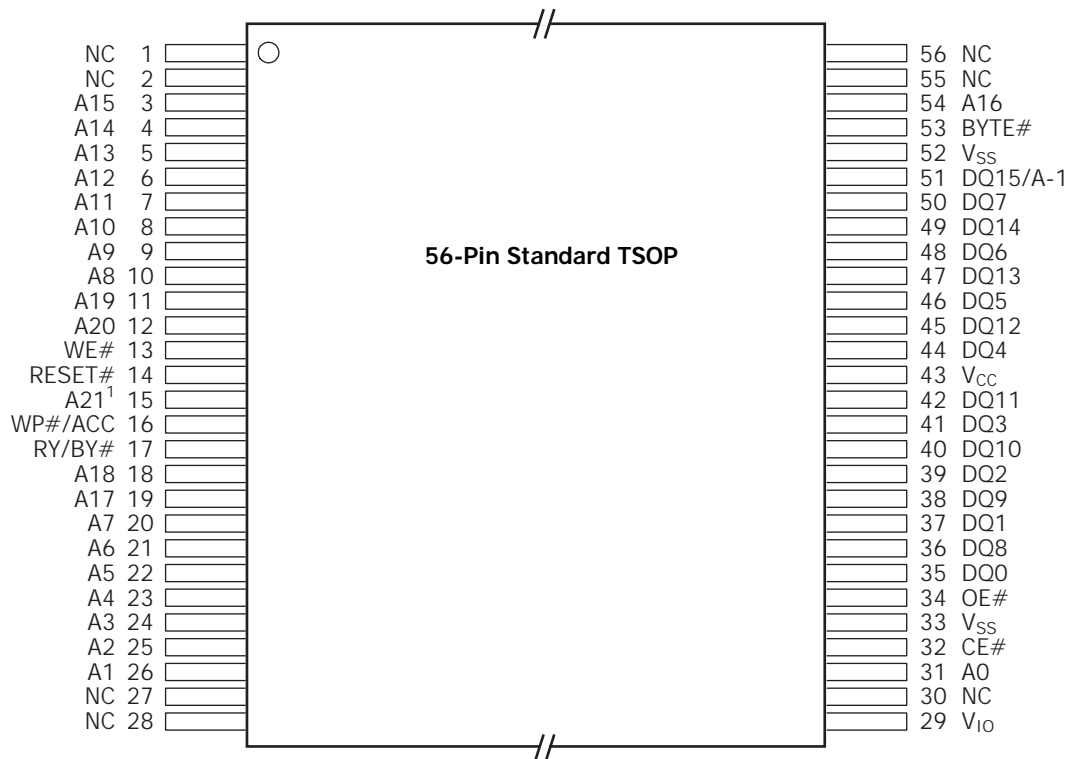
- **A_{MAX} GL064A = A21.
- **A_{MAX} GL032A = A20.

Connection Diagrams



Notes:

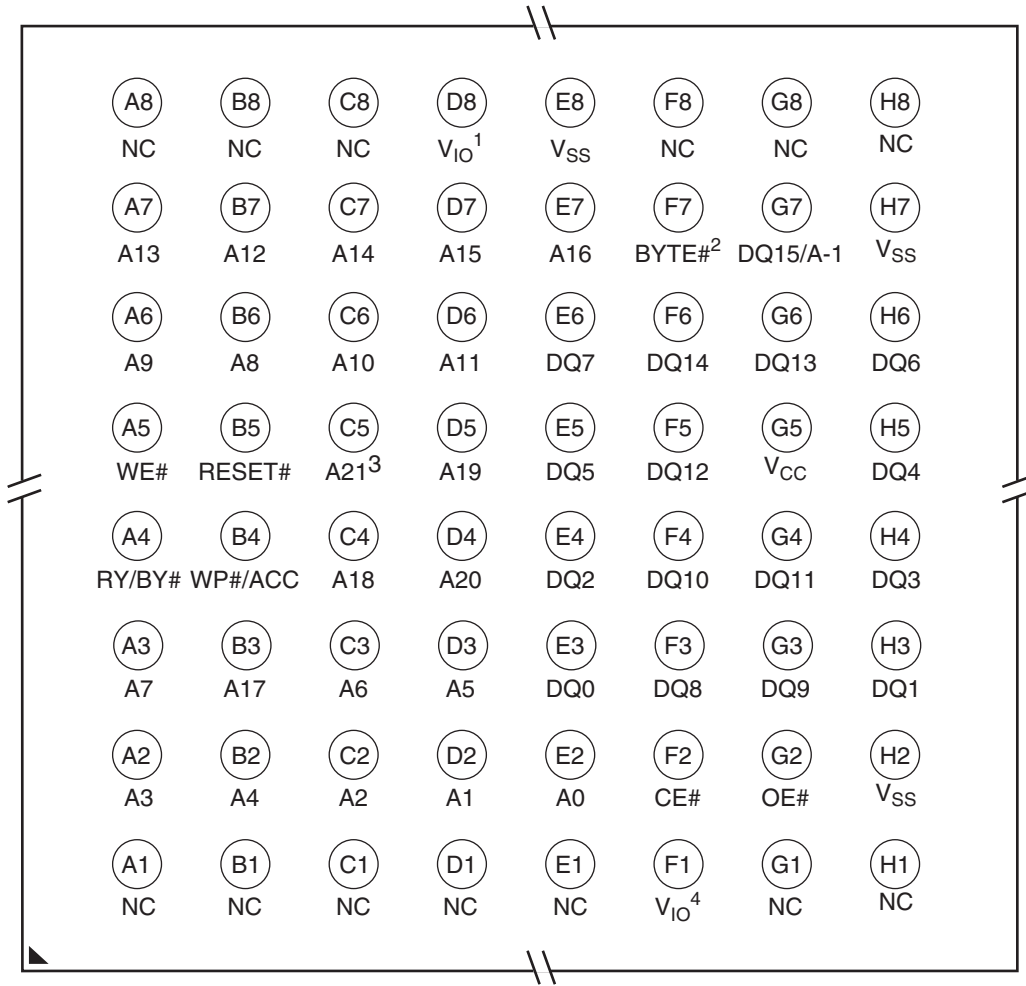
1. Pin 9 is A21, Pin 13 is ACC, Pin 14 is WP#, Pin 15 is A19, and Pin 47 is V_{IO} on S29GL064A (models R6, R7).
2. Pin 13 is NC on S29GL032A.



Notes:

1. Pin 15 is NC on S29GL032A.

64-ball Fortified BGA
Top View, Balls Facing Down



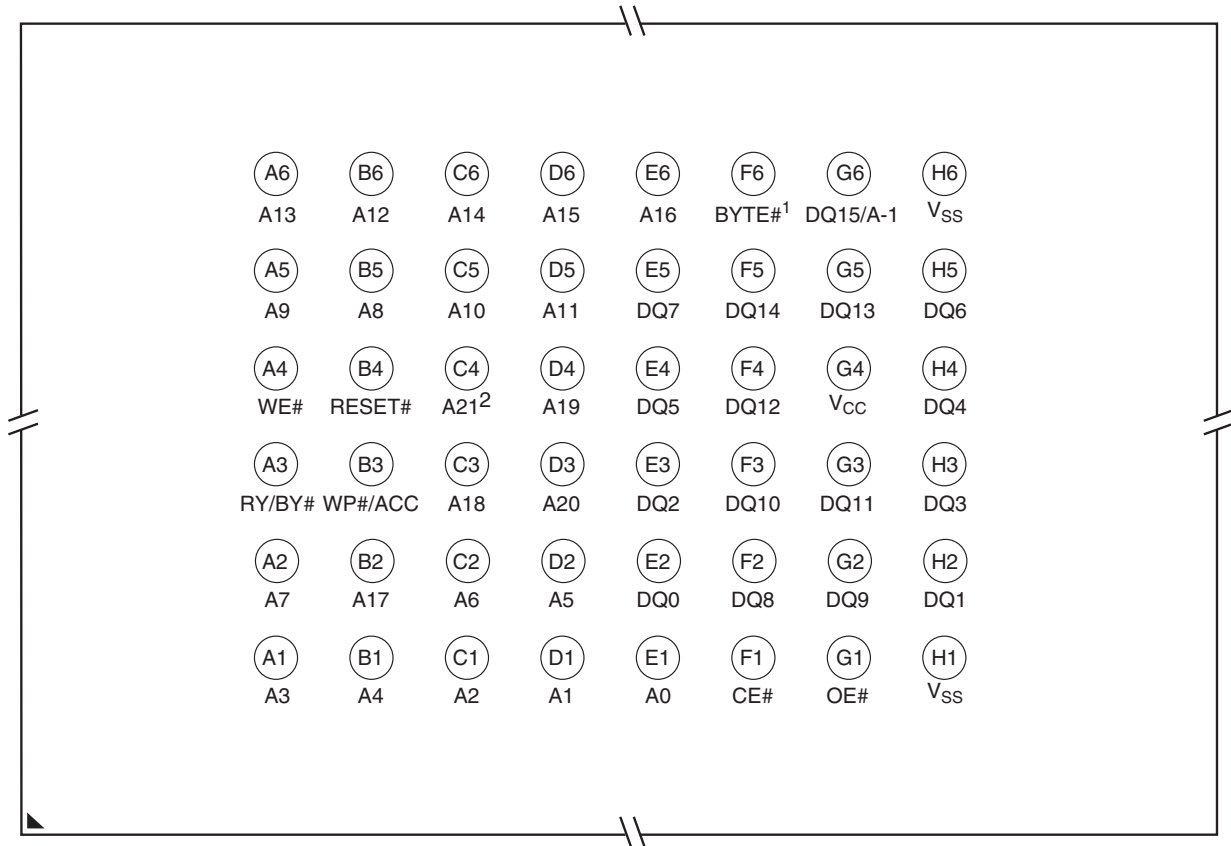
Notes:

1. Ball D8 and Ball F1 are NC on S29GL064A (models R3, R4).
2. Ball F7 is NC on S29GL064A (model R5).
3. Ball C5 is NC on S29GL032A.

Special Package Handling Instructions

Special handling is required for Flash Memory products in moulded packages (TSOP and BGA). The package and/or data integrity may be compromised if the package body is exposed to temperatures above 150°C for prolonged periods of time.

48-ball Fine-pitch BGA
Top View, Balls Facing Down



Notes:

1. Ball F6 is V_{IO} on S29GL064A (models R5).
2. Ball C4 is NC on S29GL032A.

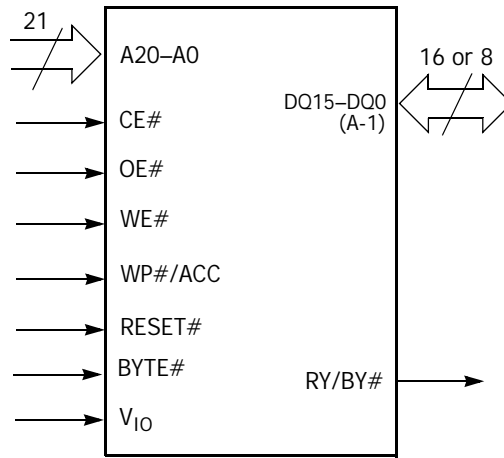
Special Package Handling Instructions

Special handling is required for Flash Memory products in molded packages (TSOP and BGA). The package and/or data integrity may be compromised if the package body is exposed to temperatures above 150°C for prolonged periods of time.

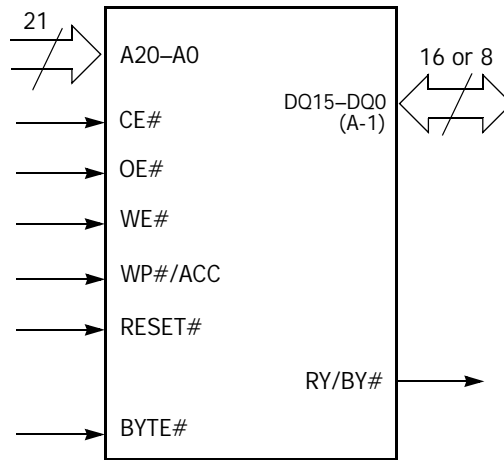
Pin Descriptions

| | | |
|-----------------|---|---|
| A21–A0 | = | 22 Address inputs |
| A20–A0 | = | 21 Address inputs |
| DQ7–DQ0 | = | 8 Data inputs/outputs |
| DQ14–DQ0 | = | 15 Data inputs/outputs |
| DQ15/A-1 | = | DQ15 (Data input/output, word mode), A-1 (LSB Address input, byte mode) |
| CE# | = | Chip Enable input |
| OE# | = | Output Enable input |
| WE# | = | Write Enable input |
| WP#/ACC | = | Hardware Write Protect input/Programming Acceleration input |
| ACC | = | Acceleration input |
| WP# | = | Hardware Write Protect input |
| RESET# | = | Hardware Reset Pin input |
| RY/BY# | = | Ready/Busy output |
| BYTE# | = | Selects 8-bit or 16-bit mode |
| V _{CC} | = | 3.0 volt-only single power supply (see Product Selector Guide for speed options and voltage supply tolerances) |
| V _{SS} | = | Device Ground |
| NC | = | Pin Not Connected Internally |
| V _{IO} | = | Output Buffer Power |

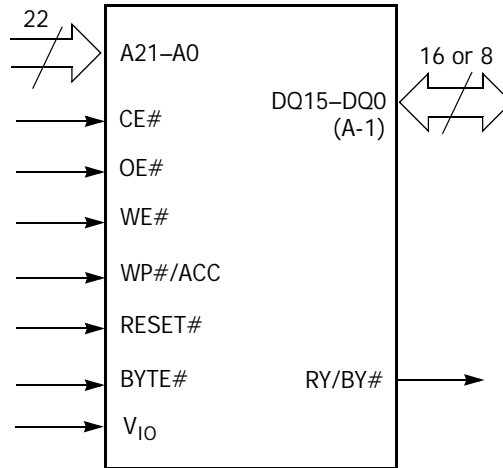
Logic Symbol-S29GL032A (Models R1, R2)



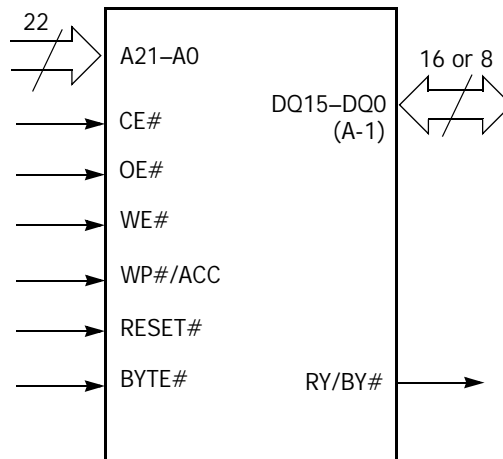
Logic Symbol-S29GL032A (Models R3, R4)



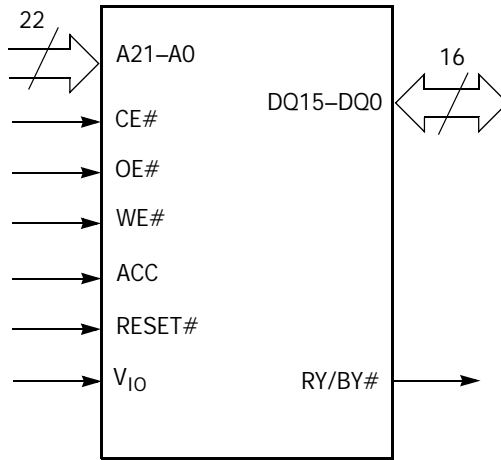
Logic Symbol-S29GL064A (Models R1, R2, R8, R9)



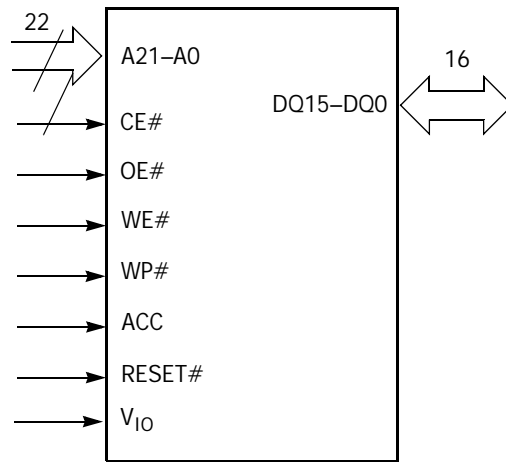
Logic Symbol-S29GL064A (Models R3, R4)



Logic Symbol-S29GL064A (Model R5)



Logic Symbol-S29GL064A (Model R6, R7)



Ordering Information-S29GL032A

S29GL032A Standard Products

Standard products are available in several packages and operating ranges. The order number (Valid Combination) is formed by a combination of the following:

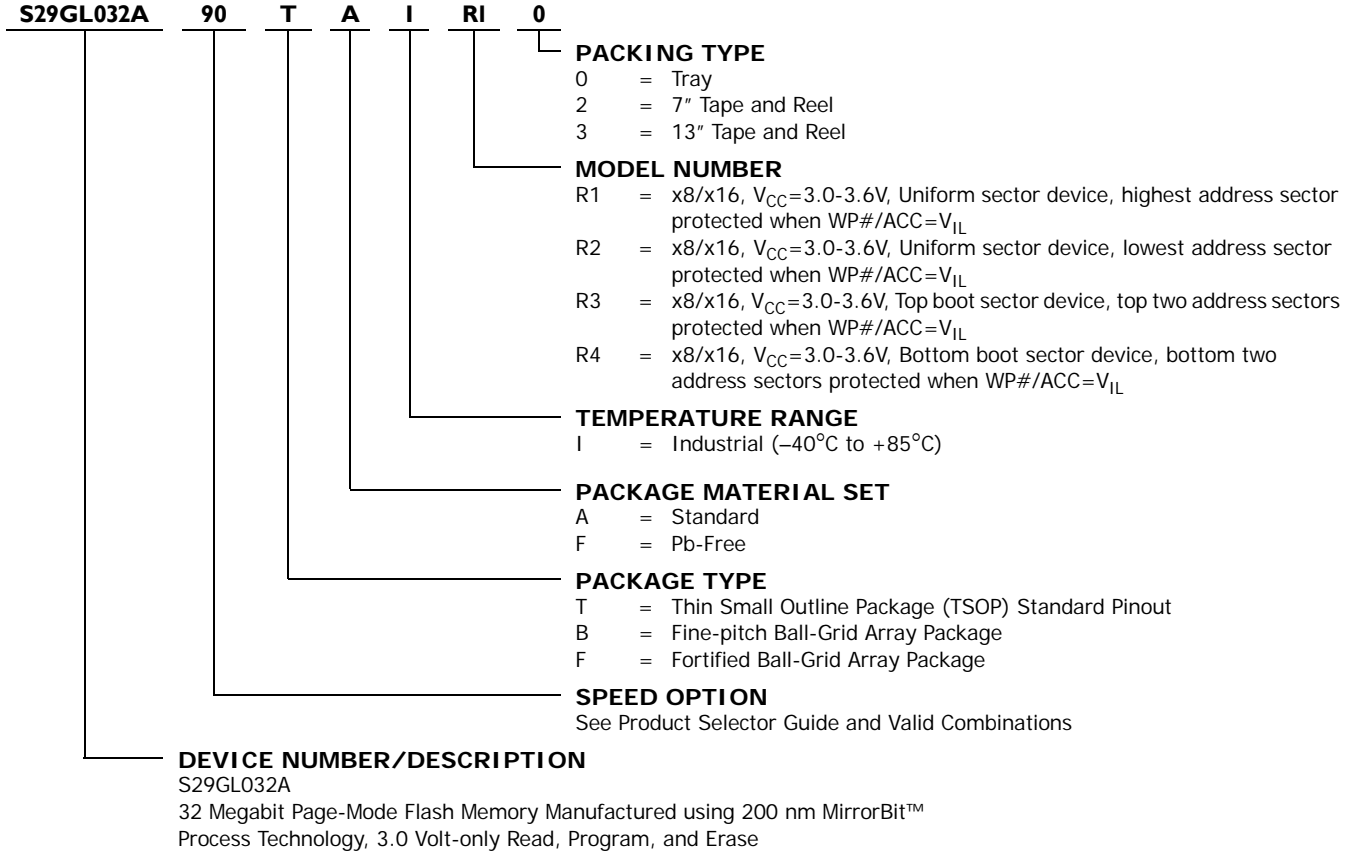


Table I. S29GL032A Ordering Options

| S29GL032A Valid Combinations | | | | | Package Description (Notes) | |
|------------------------------|--------------|--|--------------|-------------------|--------------------------------|----------------|
| Device Number | Speed Option | Package, Material, & Temperature Range | Model Number | Packing Type | | |
| S29GL032A | 90, 10, 11 | TAI,TFI | R1,R2 | 0,2,3 (Note 1) | TS056 (2) | TSOP |
| | | FAI,FFI | | | LAA064 (3) | Fortified BGA |
| | | TAI,TFI | R3,R4 | | TS048 (2) | TSOP |
| | | BAI,BFI | | | FBC048 (3) | Fine-Pitch BGA |
| | | FAI,FFI | | | LAA064 (3) | Fortified BGA |

Notes:

1. Type 0 is standard. Specify others as required: TSOPs can be packed in Types 0 and 3; BGAs can be packed in Types 0, 2, or 3.
2. TSOP package marking omits packing type designator from the ordering part number.
3. BGA package marking omits leading "S29" and packing type designator from the ordering part number.

Valid Combinations

Valid Combinations list configurations planned to be supported in volume for this device. Consult your local sales office to confirm availability of specific valid combinations and to check on newly released combinations.

Ordering Information-S29GL064A

S29GL064A Standard Products

Standard products are available in several packages and operating ranges. The order number (Valid Combination) is formed by a combination of the following:

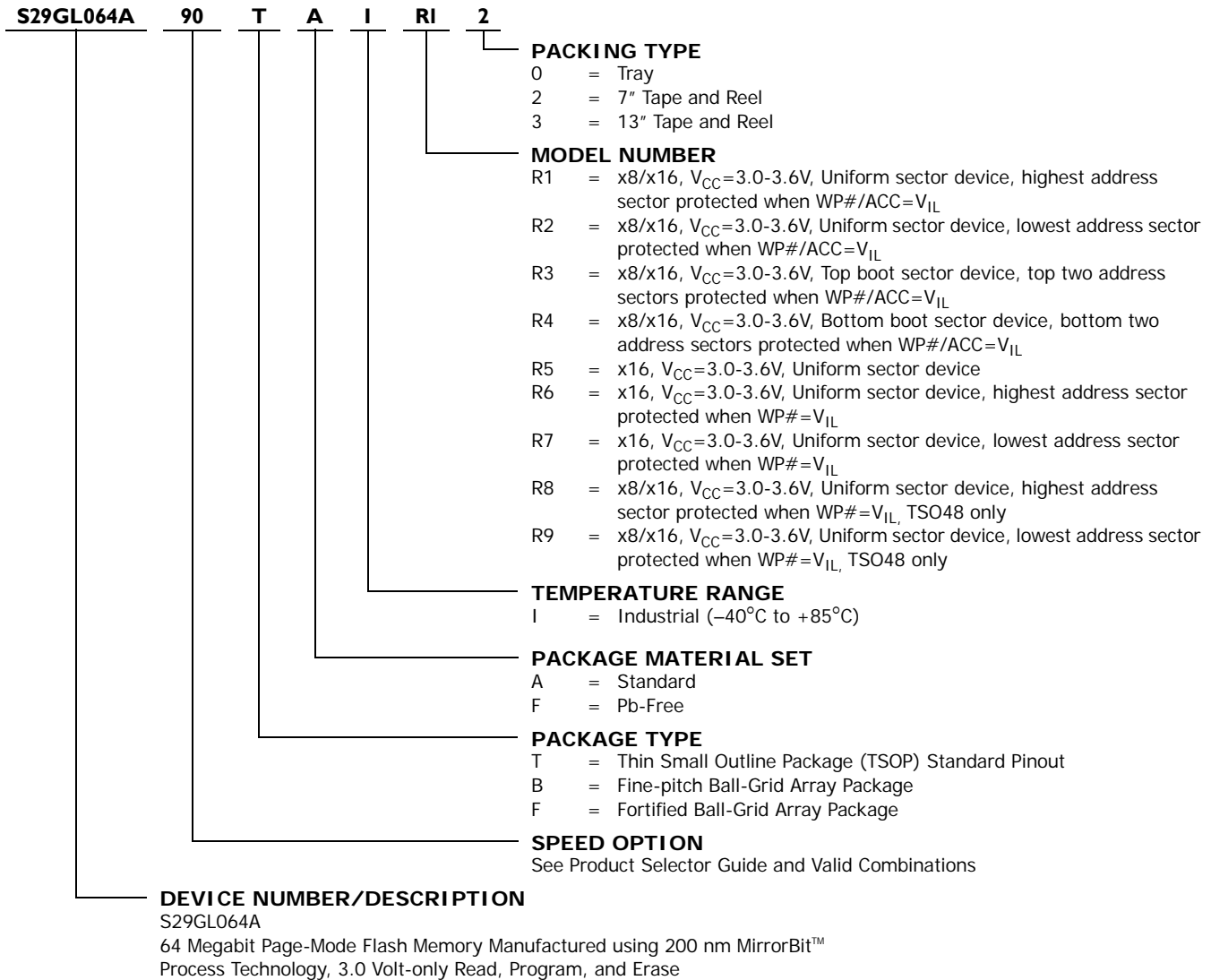


Table 2. S29GL064A Valid Combinations

| S29GL064A Valid Combinations | | | | | Package Description | |
|------------------------------|--------------|---------------------------------------|------------------------|---------------------|---------------------|----------------|
| Device Number | Speed Option | Package, Material & Temperature Range | Model Number | Packing Type | | |
| S29GL064A | 90, 10, 11 | TAI, TFI | R3, R4, R6, R7, R8, R9 | 0, 2, 3 (Note 1) | TS048 (note 2) | TSOP |
| | | | R1, R2 | | TS056 (note 2) | TSOP |
| | | BAI, BFI | R3, R4, R5 | | VBN048 (note 3) | Fine-pitch BGA |
| | | FAI, FFI | R1, R2, R3, R4, R5 | | LAA064 (note 3) | Fortified BGA |

Notes:

1. Type 0 is standard. Specify others as required: TSOPs can be packed in Types 0 and 3; BGAs can be packed in Types 0, 2, or 3.
2. TSOP package marking omits packing type designator from ordering part number.
3. BGA package marking omits leading "S29" and packing type designator from ordering part number.

Valid Combinations

Valid Combinations list configurations planned to be supported in volume for this device. Consult your local sales office to confirm availability of specific valid combinations and to check on newly released combinations.

Device Bus Operations

This section describes the requirements and use of the device bus operations, which are initiated through the internal command register. The command register itself does not occupy any addressable memory location. The register is a latch used to store the commands, along with the address and data information needed to execute the command. The contents of the register serve as inputs to the internal state machine. The state machine outputs dictate the function of the device. Table 3 lists the device bus operations, the inputs and control levels they require, and the resulting output. The following subsections describe each of these operations in further detail.

Table 3. Device Bus Operations

| Operation | CE# | OE# | WE# | RESET# | WP# | ACC | Addresses (Note 1) | DQ0– DQ7 | DQ8–DQ15 | |
|---------------------------------------|----------------------------|-----|-----|----------------------------|----------|-----------------|--|------------------|----------------------------|-------------------------------------|
| | | | | | | | | | BYTE# = V _{IH} | BYTE# = V _{IL} |
| Read | L | L | H | H | X | X | A _{IN} | D _{OUT} | D _{OUT} | DQ8–DQ14 = High-Z, DQ15 = A-1 |
| Write (Program/Erase) | L | H | L | H | (Note 3) | X | A _{IN} | (Note 4) | (Note 4) | |
| Accelerated Program | L | H | L | H | (Note 3) | V _{HH} | A _{IN} | (Note 4) | (Note 4) | |
| Standby | V _{CC} ± 0.3 V | X | X | V _{CC} ± 0.3 V | X | H | X | High-Z | High-Z | High-Z |
| Output Disable | L | H | H | H | X | X | X | High-Z | High-Z | High-Z |
| Reset | X | X | X | L | X | X | X | High-Z | High-Z | High-Z |
| Sector Group Protect (Note 2) | L | H | L | V _{ID} | H | X | SA, A6=L, A3=L, A2=L, A1=H, A0=L | (Note 4) | X | X |
| Sector Group Unprotect (Note 2) | L | H | L | V _{ID} | H | X | SA, A6=H, A3=L, A2=L, A1=H, A0=L | (Note 4) | X | X |
| Temporary Sector Group Unprotect | X | X | X | V _{ID} | H | X | A _{IN} | (Note 4) | (Note 4) | High-Z |

Legend: L = Logic Low = V_{IL}, H = Logic High = V_{IH}, V_{ID} = 11.5–12.5 V, V_{HH} = 11.5–12.5 V, X = Don't Care, SA = Sector Address, A_{IN} = Address In, D_{IN} = Data In, D_{OUT} = Data Out

Notes:

- Addresses are Amax:A0 in word mode; Amax:A-1 in byte mode. Sector addresses are Amax:A15 in both modes.
- The sector protect and sector unprotect functions may also be implemented via programming equipment. See the "Sector Group Protection and Unprotection" section.
- If WP# = V_{IL}, the first or last sector remains protected (for uniform sector devices), and the two outer boot sectors are protected (for boot sector devices). If WP# = V_{IH}, the first or last sector, or the two outer boot sectors will be protected or unprotected as determined by the method described in "Sector Group Protection and Unprotection". All sectors are unprotected when shipped from the factory (The Secured Silicon Sector may be factory protected depending on version ordered.)
- D_{IN} or D_{OUT} as required by command sequence, data polling, or sector protect algorithm (see Figure 7).

Word/Byte Configuration

The BYTE# pin controls whether the device data I/O pins operate in the byte or word configuration. If the BYTE# pin is set at logic '1', the device is in word configuration, DQ0–DQ15 are active and controlled by CE# and OE#.

If the BYTE# pin is set at logic '0', the device is in byte configuration, and only data I/O pins DQ0–DQ7 are active and controlled by CE# and OE#. The data I/O pins DQ8–DQ14 are tri-stated, and the DQ15 pin is used as an input for the LSB (A-1) address function.

Requirements for Reading Array Data

To read array data from the outputs, the system must drive the CE# and OE# pins to V_{IL} . CE# is the power control and selects the device. OE# is the output control and gates array data to the output pins. WE# should remain at V_{IH} .

The internal state machine is set for reading array data upon device power-up, or after a hardware reset. This ensures that no spurious alteration of the memory content occurs during the power transition. No command is necessary in this mode to obtain array data. Standard microprocessor read cycles that assert valid addresses on the device address inputs produce valid data on the device data outputs. The device remains enabled for read access until the command register contents are altered.

See "Reading Array Data" for more information. Refer to the AC Read-Only Operations table for timing specifications and the timing diagram. Refer to the DC Characteristics table for the active current specification on reading array data.

Page Mode Read

The device is capable of fast page mode read and is compatible with the page mode Mask ROM read operation. This mode provides faster read access speed for random locations within a page. The page size of the device is 4 words/8 bytes. The appropriate page is selected by the higher address bits A(max)–A2. Address bits A1–A0 in word mode (A1–A-1 in byte mode) determine the specific word within a page. This is an asynchronous operation; the microprocessor supplies the specific word location.

The random or initial page access is equal to t_{ACC} or t_{CE} and subsequent page read accesses (as long as the locations specified by the microprocessor falls within that page) is equivalent to t_{PACC} . When CE# is deasserted and reasserted for a subsequent access, the access time is t_{ACC} or t_{CE} . Fast page mode accesses are obtained by keeping the "read-page addresses" constant and changing the "intra-read page" addresses.

Writing Commands/Command Sequences

To write a command or command sequence (which includes programming data to the device and erasing sectors of memory), the system must drive WE# and CE# to V_{IL} , and OE# to V_{IH} .

The device features an **Unlock Bypass** mode to facilitate faster programming. Once the device enters the Unlock Bypass mode, only two write cycles are required to program a word, instead of four. The "Word Program Command Sequence" section has details on programming data to the device using both standard and Unlock Bypass command sequences.

An erase operation can erase one sector, multiple sectors, or the entire device. [Table 4-Table 20](#) indicates the address space that each sector occupies.

Refer to the DC Characteristics table for the active current specification for the write mode. The AC Characteristics section contains timing specification tables and timing diagrams for write operations.

Write Buffer

Write Buffer Programming allows the system write to a maximum of 16 words/32 bytes in one programming operation. This results in faster effective programming time than the standard programming algorithms. See “Write Buffer” for more information.

Accelerated Program Operation

The device offers accelerated program operations through the ACC function. This is one of two functions provided by the WP#/ACC or ACC pin, depending on model number. This function is primarily intended to allow faster manufacturing throughput at the factory.

If the system asserts V_{HH} on this pin, the device automatically enters the aforementioned Unlock Bypass mode, temporarily unprotects any protected sector groups, and uses the higher voltage on the pin to reduce the time required for program operations. The system would use a two-cycle program command sequence as required by the Unlock Bypass mode. Removing V_{HH} from the WP#/ACC or ACC pin, depending on model number, returns the device to normal operation. *Note that the WP#/ACC or ACC pin must not be at V_{HH} for operations other than accelerated programming, or device damage may result. WP# has an internal pullup; when unconnected, WP# is at V_{IH} .*

Autoselect Functions

If the system writes the autoselect command sequence, the device enters the autoselect mode. The system can then read autoselect codes from the internal register (which is separate from the memory array) on DQ7–DQ0. Standard read cycle timings apply in this mode. Refer to the “Autoselect Mode” section on page 30 and “Autoselect Command Sequence” section on page 44 sections for more information.

Standby Mode

When the system is not reading or writing to the device, it can place the device in the standby mode. In this mode, current consumption is greatly reduced, and the outputs are placed in the high impedance state, independent of the OE# input.

The device enters the CMOS standby mode when the CE# and RESET# pins are both held at $V_{IO} \pm 0.3$ V. (Note that this is a more restricted voltage range than V_{IH} .) If CE# and RESET# are held at V_{IH} , but not within $V_{IO} \pm 0.3$ V, the device will be in the standby mode, but the standby current will be greater. The device requires standard access time (t_{CE}) for read access when the device is in either of these standby modes, before it is ready to read data.

If the device is deselected during erasure or programming, the device draws active current until the operation is completed.

Refer to the “DC Characteristics” section on page 65 for the standby current specification.

Automatic Sleep Mode

The automatic sleep mode minimizes Flash device energy consumption. The device automatically enables this mode when addresses remain stable for $t_{ACC} + 30$ ns. The automatic sleep mode is independent of the CE#, WE#, and OE# control signals. Standard address access timings provide new data when addresses are changed. While in sleep mode, output data is latched and always available to the system. Refer to the [“DC Characteristics” section on page 65](#) for the automatic sleep mode current specification.

RESET#: Hardware Reset Pin

The RESET# pin provides a hardware method of resetting the device to reading array data. When the RESET# pin is driven low for at least a period of t_{RP} , the device immediately terminates any operation in progress, tristates all output pins, and ignores all read/write commands for the duration of the RESET# pulse. The device also resets the internal state machine to reading array data. The operation that was interrupted should be reinitiated once the device is ready to accept another command sequence, to ensure data integrity.

Current is reduced for the duration of the RESET# pulse. When RESET# is held at $V_{SS} \pm 0.3$ V, the device draws CMOS standby current (I_{CC5}). If RESET# is held at V_{IL} but not within $V_{SS} \pm 0.3$ V, the standby current will be greater.

The RESET# pin may be tied to the system reset circuitry. A system reset would thus also reset the Flash memory, enabling the system to read the boot-up firmware from the Flash memory.

Refer to the AC Characteristics tables for RESET# parameters and to [Figure 15](#) for the timing diagram.

Output Disable Mode

When the OE# input is at V_{IH} , output from the device is disabled. The output pins are placed in the high impedance state.

Table 4. S29GL032M (Models RI, R2) Sector Addresses

| Sector | A20-A15 | | | | | Sector Size (KB/Kwords) | 8-bit Address Range | 16-bit Address Range | Sector | A20-A15 | | | | | Sector Size (KB/Kwords) | 8-bit Address Range | 16-bit Address Range |
|--------|---------|---|---|---|---|-------------------------|---------------------|----------------------|--------|---------|---|---|---|---|-------------------------|---------------------|----------------------|
| | | | | | | | | | | | | | | | | | |
| SA0 | 0 | 0 | 0 | 0 | 0 | 64/32 | 000000–00FFFF | 000000–007FFF | SA32 | 1 | 0 | 0 | 0 | 0 | 64/32 | 200000–20FFFF | 100000–107FFF |
| SA1 | 0 | 0 | 0 | 0 | 1 | 64/32 | 010000–01FFFF | 008000–00FFFF | SA33 | 1 | 0 | 0 | 0 | 1 | 64/32 | 210000–21FFFF | 108000–10FFFF |
| SA2 | 0 | 0 | 0 | 1 | 0 | 64/32 | 020000–02FFFF | 010000–017FFF | SA34 | 1 | 0 | 0 | 1 | 0 | 64/32 | 220000–22FFFF | 110000–117FFF |
| SA3 | 0 | 0 | 0 | 1 | 1 | 64/32 | 030000–03FFFF | 018000–01FFFF | SA35 | 1 | 0 | 0 | 1 | 1 | 64/32 | 230000–23FFFF | 118000–11FFFF |
| SA4 | 0 | 0 | 1 | 0 | 0 | 64/32 | 040000–04FFFF | 020000–027FFF | SA36 | 1 | 0 | 1 | 0 | 0 | 64/32 | 240000–24FFFF | 120000–127FFF |
| SA5 | 0 | 0 | 1 | 0 | 1 | 64/32 | 050000–05FFFF | 028000–02FFFF | SA37 | 1 | 0 | 1 | 0 | 1 | 64/32 | 250000–25FFFF | 128000–12FFFF |
| SA6 | 0 | 0 | 1 | 1 | 0 | 64/32 | 060000–06FFFF | 030000–037FFF | SA38 | 1 | 0 | 1 | 1 | 0 | 64/32 | 260000–26FFFF | 130000–137FFF |
| SA7 | 0 | 0 | 1 | 1 | 1 | 64/32 | 070000–07FFFF | 038000–03FFFF | SA39 | 1 | 0 | 1 | 1 | 1 | 64/32 | 270000–27FFFF | 138000–13FFFF |
| SA8 | 0 | 0 | 1 | 0 | 0 | 64/32 | 080000–08FFFF | 040000–047FFF | SA40 | 1 | 0 | 1 | 0 | 0 | 64/32 | 280000–28FFFF | 140000–147FFF |
| SA9 | 0 | 0 | 1 | 0 | 1 | 64/32 | 090000–09FFFF | 048000–04FFFF | SA41 | 1 | 0 | 1 | 0 | 1 | 64/32 | 290000–29FFFF | 148000–14FFFF |
| SA10 | 0 | 0 | 1 | 0 | 1 | 64/32 | 0A0000–0AFFFF | 050000–057FFF | SA42 | 1 | 0 | 1 | 0 | 1 | 64/32 | 2A0000–2AFFFF | 150000–157FFF |
| SA11 | 0 | 0 | 1 | 0 | 1 | 64/32 | 0B0000–0BFFFF | 058000–05FFFF | SA43 | 1 | 0 | 1 | 0 | 1 | 64/32 | 2B0000–2BFFFF | 158000–15FFFF |
| SA12 | 0 | 0 | 1 | 1 | 0 | 64/32 | 0C0000–0CFFFF | 060000–067FFF | SA44 | 1 | 0 | 1 | 1 | 0 | 64/32 | 2C0000–2CFFFF | 160000–167FFF |
| SA13 | 0 | 0 | 1 | 1 | 0 | 64/32 | 0D0000–0DFFFF | 068000–06FFFF | SA45 | 1 | 0 | 1 | 1 | 0 | 64/32 | 2D0000–2DFFFF | 168000–16FFFF |
| SA14 | 0 | 0 | 1 | 1 | 1 | 64/32 | 0E0000–0EFFFF | 070000–077FFF | SA46 | 1 | 0 | 1 | 1 | 1 | 64/32 | 2E0000–2EFFFF | 170000–177FFF |
| SA15 | 0 | 0 | 1 | 1 | 1 | 64/32 | 0F0000–0FFFFF | 078000–07FFFF | SA47 | 1 | 0 | 1 | 1 | 1 | 64/32 | 2F0000–2FFFFF | 178000–17FFFF |
| SA16 | 0 | 1 | 0 | 0 | 0 | 64/32 | 100000–10FFFF | 080000–087FFF | SA48 | 1 | 1 | 0 | 0 | 0 | 64/32 | 300000–30FFFF | 180000–187FFF |
| SA17 | 0 | 1 | 0 | 0 | 1 | 64/32 | 110000–11FFFF | 088000–08FFFF | SA49 | 1 | 1 | 0 | 0 | 1 | 64/32 | 310000–31FFFF | 188000–18FFFF |
| SA18 | 0 | 1 | 0 | 0 | 1 | 64/32 | 120000–12FFFF | 090000–097FFF | SA50 | 1 | 1 | 0 | 0 | 1 | 64/32 | 320000–32FFFF | 190000–197FFF |
| SA19 | 0 | 1 | 0 | 0 | 1 | 64/32 | 130000–13FFFF | 098000–09FFFF | SA51 | 1 | 1 | 0 | 0 | 1 | 64/32 | 330000–33FFFF | 198000–19FFFF |
| SA20 | 0 | 1 | 0 | 1 | 0 | 64/32 | 140000–14FFFF | 0A0000–0A7FFF | SA52 | 1 | 1 | 0 | 1 | 0 | 64/32 | 340000–34FFFF | 1A0000–1A7FFF |
| SA21 | 0 | 1 | 0 | 1 | 0 | 64/32 | 150000–15FFFF | 0A8000–0AFFFF | SA53 | 1 | 1 | 0 | 1 | 0 | 64/32 | 350000–35FFFF | 1A8000–1AFFFF |
| SA22 | 0 | 1 | 0 | 1 | 1 | 64/32 | 160000–16FFFF | 0B0000–0B7FFF | SA54 | 1 | 1 | 0 | 1 | 1 | 64/32 | 360000–36FFFF | 1B0000–1B7FFF |
| SA23 | 0 | 1 | 0 | 1 | 1 | 64/32 | 170000–17FFFF | 0B8000–0BFFFF | SA55 | 1 | 1 | 0 | 1 | 1 | 64/32 | 370000–37FFFF | 1B8000–1BFFFF |
| SA24 | 0 | 1 | 1 | 0 | 0 | 64/32 | 180000–18FFFF | 0C0000–0C7FFF | SA56 | 1 | 1 | 1 | 0 | 0 | 64/32 | 380000–38FFFF | 1C0000–1C7FFF |
| SA25 | 0 | 1 | 1 | 0 | 1 | 64/32 | 190000–19FFFF | 0C8000–0CFFFF | SA57 | 1 | 1 | 1 | 0 | 1 | 64/32 | 390000–39FFFF | 1C8000–1CFFFF |
| SA26 | 0 | 1 | 1 | 0 | 1 | 64/32 | 1A0000–1AFFFF | 0D0000–0D7FFF | SA58 | 1 | 1 | 1 | 0 | 1 | 64/32 | 3A0000–3AFFFF | 1D0000–1D7FFF |
| SA27 | 0 | 1 | 1 | 0 | 1 | 64/32 | 1B0000–1BFFFF | 0D8000–0DFFFF | SA59 | 1 | 1 | 1 | 0 | 1 | 64/32 | 3B0000–3BFFFF | 1D8000–1DFFFF |
| SA28 | 0 | 1 | 1 | 1 | 0 | 64/32 | 1C0000–1CFFFF | 0E0000–0E7FFF | SA60 | 1 | 1 | 1 | 1 | 0 | 64/32 | 3C0000–3CFFFF | 1E0000–1E7FFF |
| SA29 | 0 | 1 | 1 | 1 | 0 | 64/32 | 1D0000–1DFFFF | 0E8000–0EFFFF | SA61 | 1 | 1 | 1 | 1 | 0 | 64/32 | 3D0000–3DFFFF | 1E8000–1EFFFF |
| SA30 | 0 | 1 | 1 | 1 | 1 | 64/32 | 1E0000–1EFFFF | 0F0000–0F7FFF | SA62 | 1 | 1 | 1 | 1 | 1 | 64/32 | 3E0000–3EFFFF | 1F0000–1F7FFF |
| SA31 | 0 | 1 | 1 | 1 | 1 | 64/32 | 1F0000–1FFFFF | 0F8000–0FFFFF | SA63 | 1 | 1 | 1 | 1 | 1 | 64/32 | 3F0000–3FFFFF | 1F8000–1FFFFF |

Table 5. S29GL032M (Models R3) Top Boot Sector Addresses

| Sector | A20-A12 | Sector Size (KB/Kwords) | 8-bit Address Range | 16-bit Address Range | Sector | A20-A12 | Sector Size (KB/Kwords) | 8-bit Address Range | 16-bit Address Range |
|--------|-----------|-------------------------|---------------------|----------------------|--------|-----------|-------------------------|---------------------|----------------------|
| SA0 | 000000xxx | 64/32 | 000000h-00FFFFh | 00000h-07FFFh | SA36 | 100100xxx | 64/32 | 240000h-24FFFFh | 120000h-127FFFh |
| SA1 | 000001xxx | 64/32 | 010000h-01FFFFh | 08000h-0FFFFh | SA37 | 100101xxx | 64/32 | 250000h-25FFFFh | 128000h-12FFFFh |
| SA2 | 000010xxx | 64/32 | 020000h-02FFFFh | 10000h-17FFFh | SA38 | 100110xxx | 64/32 | 260000h-26FFFFh | 130000h-137FFFh |
| SA3 | 000011xxx | 64/32 | 030000h-03FFFFh | 18000h-1FFFFh | SA39 | 100111xxx | 64/32 | 270000h-27FFFFh | 138000h-13FFFFh |
| SA4 | 000100xxx | 64/32 | 040000h-04FFFFh | 20000h-27FFFh | SA40 | 101000xxx | 64/32 | 280000h-28FFFFh | 140000h-147FFFh |
| SA5 | 000101xxx | 64/32 | 050000h-05FFFFh | 28000h-2FFFFh | SA41 | 101001xxx | 64/32 | 290000h-29FFFFh | 148000h-14FFFFh |
| SA6 | 000110xxx | 64/32 | 060000h-06FFFFh | 30000h-37FFFh | SA42 | 101010xxx | 64/32 | 2A0000h-2AFFFFh | 150000h-157FFFh |
| SA7 | 000111xxx | 64/32 | 070000h-07FFFFh | 38000h-3FFFFh | SA43 | 101011xxx | 64/32 | 2B0000h-2BFFFFh | 158000h-15FFFFh |
| SA8 | 001000xxx | 64/32 | 080000h-08FFFFh | 40000h-47FFFh | SA44 | 101100xxx | 64/32 | 2C0000h-2CFFFFh | 160000h-167FFFh |
| SA9 | 001001xxx | 64/32 | 090000h-09FFFFh | 48000h-4FFFFh | SA45 | 101101xxx | 64/32 | 2D0000h-2DFFFFh | 168000h-16FFFFh |
| SA10 | 001010xxx | 64/32 | 0A0000h-0AFFFFh | 50000h-57FFFh | SA46 | 101110xxx | 64/32 | 2E0000h-2EFFFFh | 170000h-177FFFh |
| SA11 | 001011xxx | 64/32 | 0B0000h-0BFFFFh | 58000h-5FFFFh | SA47 | 101111xxx | 64/32 | 2F0000h-2FFFFh | 178000h-17FFFFh |
| SA12 | 001100xxx | 64/32 | 0C0000h-0CFFFFh | 60000h-67FFFh | SA48 | 110000xxx | 64/32 | 300000h-30FFFFh | 180000h-187FFFh |
| SA13 | 001101xxx | 64/32 | 0D0000h-0DFFFFh | 68000h-6FFFFh | SA49 | 110001xxx | 64/32 | 310000h-31FFFFh | 188000h-18FFFFh |
| SA14 | 001110xxx | 64/32 | 0E0000h-0EFFFFh | 70000h-77FFFh | SA50 | 110010xxx | 64/32 | 320000h-32FFFFh | 190000h-197FFFh |
| SA15 | 001111xxx | 64/32 | 0F0000h-0FFFFh | 78000h-7FFFFh | SA51 | 110011xxx | 64/32 | 330000h-33FFFFh | 198000h-19FFFFh |
| SA16 | 010000xxx | 64/32 | 100000h-00FFFFh | 80000h-87FFFh | SA52 | 100100xxx | 64/32 | 340000h-34FFFFh | 1A0000h-1A7FFFh |
| SA17 | 010001xxx | 64/32 | 110000h-11FFFFh | 88000h-8FFFFh | SA53 | 110101xxx | 64/32 | 350000h-35FFFFh | 1A8000h-1AFFFFh |
| SA18 | 010010xxx | 64/32 | 120000h-12FFFFh | 90000h-97FFFh | SA54 | 110110xxx | 64/32 | 360000h-36FFFFh | 1B0000h-1B7FFFh |
| SA19 | 010011xxx | 64/32 | 130000h-13FFFFh | 98000h-9FFFFh | SA55 | 110111xxx | 64/32 | 370000h-37FFFFh | 1B8000h-1BFFFFh |
| SA20 | 010100xxx | 64/32 | 140000h-14FFFFh | A0000h-A7FFFh | SA56 | 111000xxx | 64/32 | 380000h-38FFFFh | 1C0000h-1C7FFFh |
| SA21 | 010101xxx | 64/32 | 150000h-15FFFFh | A8000h-AFFFFh | SA57 | 111001xxx | 64/32 | 390000h-39FFFFh | 1C8000h-1CFFFFh |
| SA22 | 010110xxx | 64/32 | 160000h-16FFFFh | B0000h-B7FFFh | SA58 | 111010xxx | 64/32 | 3A0000h-3AFFFFh | 1D0000h-1D7FFFh |
| SA23 | 010111xxx | 64/32 | 170000h-17FFFFh | B8000h-BFFFFh | SA59 | 111011xxx | 64/32 | 3B0000h-3BFFFFh | 1D8000h-1DFFFFh |
| SA24 | 011000xxx | 64/32 | 180000h-18FFFFh | C0000h-C7FFFh | SA60 | 111100xxx | 64/32 | 3C0000h-3CFFFFh | 1E0000h-1E7FFFh |
| SA25 | 011001xxx | 64/32 | 190000h-19FFFFh | C8000h-CFFFFh | SA61 | 111101xxx | 64/32 | 3D0000h-3DFFFFh | 1E8000h-1EFFFFh |
| SA26 | 011010xxx | 64/32 | 1A0000h-1AFFFFh | D0000h-D7FFFh | SA62 | 111110xxx | 64/32 | 3E0000h-3EFFFFh | 1F0000h-1F7FFFh |
| SA27 | 011011xxx | 64/32 | 1B0000h-1BFFFFh | D8000h-DFFFFh | SA63 | 111111000 | 8/4 | 3F0000h-3F1FFFh | 1F8000h-1F8FFFh |
| SA28 | 011000xxx | 64/32 | 1C0000h-1CFFFFh | E0000h-E7FFFh | SA64 | 111111001 | 8/4 | 3F2000h-3F3FFFh | 1F9000h-1F9FFFh |
| SA29 | 011101xxx | 64/32 | 1D0000h-1DFFFFh | E8000h-EFFFFh | SA65 | 111111010 | 8/4 | 3F4000h-3F5FFFh | 1FA000h-1FAFFFh |
| SA30 | 011110xxx | 64/32 | 1E0000h-1EFFFFh | F0000h-F7FFFh | SA66 | 111111011 | 8/4 | 3F6000h-3F7FFFh | 1FB000h-1FBFFFh |
| SA31 | 011111xxx | 64/32 | 1F0000h-1FFFFh | F8000h-FFFFFh | SA67 | 111111100 | 8/4 | 3F8000h-3F9FFFh | 1FC000h-1FCFFFh |
| SA32 | 100000xxx | 64/32 | 200000h-20FFFFh | F9000h-107FFFh | SA68 | 111111101 | 8/4 | 3FA000h-3FBFFFh | 1FD000h-1FDFFFh |
| SA33 | 100001xxx | 64/32 | 210000h-21FFFFh | 108000h-10FFFFh | SA69 | 111111110 | 8/4 | 3FC000h-3FDFFFh | 1FE000h-1FEFFFh |
| SA34 | 100010xxx | 64/32 | 220000h-22FFFFh | 110000h-117FFFh | SA70 | 111111111 | 8/4 | 3FE000h-3FEFFFh | 1FF000h-1FFFFFh |
| SA35 | 101011xxx | 64/32 | 230000h-23FFFFh | 118000h-11FFFFh | | | | | |

Table 6. S29GL032M (Models R4) Bottom Boot Sector Addresses (Sheet 1 of 2)

| Sector | A20-A12 | Sector Size (KB/Kwords) | 8-bit Address Range | 16-bit Address Range | Sector | A20-A12 | Sector Size (KB/Kwords) | 8-bit Address Range | 16-bit Address Range |
|--------|-----------|-------------------------|---------------------|----------------------|--------|-----------|-------------------------|---------------------|----------------------|
| SA0 | 000000000 | 8/4 | 000000h-001FFFh | 00000h-00FFFh | SA19 | 001100xxx | 64/32 | 0C0000h-0CFFFFh | 60000h-67FFFh |
| SA1 | 000000001 | 8/4 | 002000h-003FFFh | 01000h-01FFFh | SA20 | 001101xxx | 64/32 | 0D0000h-0DFFFFh | 68000h-6FFFFh |
| SA2 | 000000010 | 8/4 | 004000h-005FFFh | 02000h-02FFFh | SA21 | 001101xxx | 64/32 | 0E0000h-0EFFFFh | 70000h-77FFFh |
| SA3 | 000000011 | 8/4 | 006000h-007FFFh | 03000h-03FFFh | SA22 | 001111xxx | 64/32 | 0F0000h-0FFFFh | 78000h-7FFFFh |
| SA4 | 000000100 | 8/4 | 008000h-009FFFh | 04000h-04FFFh | SA23 | 010000xxx | 64/32 | 100000h-00FFFFh | 80000h-87FFFh |
| SA5 | 000000101 | 8/4 | 00A000h-00BFFFh | 05000h-05FFFh | SA24 | 010001xxx | 64/32 | 110000h-11FFFFh | 88000h-8FFFFh |
| SA6 | 000000110 | 8/4 | 00C000h-00DFFFh | 06000h-06FFFh | SA25 | 010010xxx | 64/32 | 120000h-12FFFFh | 90000h-97FFFh |
| SA7 | 000000111 | 8/4 | 00E000h-00FFFFh | 07000h-07FFFh | SA26 | 010011xxx | 64/32 | 130000h-13FFFFh | 98000h-9FFFFh |
| SA8 | 000001xxx | 64/32 | 010000h-01FFFFh | 08000h-0FFFFh | SA27 | 010100xxx | 64/32 | 140000h-14FFFFh | A0000h-A7FFFh |
| SA9 | 000010xxx | 64/32 | 020000h-02FFFFh | 10000h-17FFFh | SA28 | 010101xxx | 64/32 | 150000h-15FFFFh | A8000h-AFFFFh |
| SA10 | 000011xxx | 64/32 | 030000h-03FFFFh | 18000h-1FFFFh | SA29 | 010110xxx | 64/32 | 160000h-16FFFFh | B0000h-B7FFFh |
| SA11 | 000100xxx | 64/32 | 040000h-04FFFFh | 20000h-27FFFh | SA30 | 010111xxx | 64/32 | 170000h-17FFFFh | B8000h-BFFFFh |
| SA12 | 000101xxx | 64/32 | 050000h-05FFFFh | 28000h-2FFFFh | SA31 | 011000xxx | 64/32 | 180000h-18FFFFh | C0000h-C7FFFh |
| SA13 | 000110xxx | 64/32 | 060000h-06FFFFh | 30000h-37FFFh | SA32 | 011001xxx | 64/32 | 190000h-19FFFFh | C8000h-CFFFFh |
| SA14 | 000111xxx | 64/32 | 070000h-07FFFFh | 38000h-3FFFFh | SA33 | 011010xxx | 64/32 | 1A0000h-1AFFFFh | D0000h-D7FFFh |
| SA15 | 001000xxx | 64/32 | 080000h-08FFFFh | 40000h-47FFFh | SA34 | 011011xxx | 64/32 | 1B0000h-1BFFFFh | D8000h-DFFFFh |
| SA16 | 001001xxx | 64/32 | 090000h-09FFFFh | 48000h-4FFFFh | SA35 | 011000xxx | 64/32 | 1C0000h-1CFFFFh | E0000h-E7FFFh |
| SA17 | 001010xxx | 64/32 | 0A0000h-0AFFFFh | 50000h-57FFFh | SA36 | 011101xxx | 64/32 | 1D0000h-1DFFFFh | E8000h-EFFFFh |
| SA18 | 001011xxx | 64/32 | 0B0000h-0BFFFFh | 58000h-5FFFFh | SA37 | 011110xxx | 64/32 | 1E0000h-1EFFFFh | F0000h-F7FFFh |

Table 6. S29GL032M (Models R4) Bottom Boot Sector Addresses (Sheet 2 of 2)

| Sector | A20–A12 | Sector Size (KB/Kwords) | 8-bit Address Range | 16-bit Address Range | Sector | A20–A12 | Sector Size (KB/Kwords) | 8-bit Address Range | 16-bit Address Range |
|--------|-----------|-------------------------|---------------------|----------------------|--------|-----------|-------------------------|---------------------|----------------------|
| SA38 | 011111xxx | 64/32 | 1F0000h–1FFFFFFh | F8000h–FFFFFFh | SA55 | 110000xxx | 64/32 | 300000h–30FFFFFFh | 180000h–187FFFh |
| SA39 | 100000xxx | 64/32 | 200000h–20FFFFFFh | F9000h–107FFFh | SA56 | 110001xxx | 64/32 | 310000h–31FFFFFFh | 188000h–18FFFFh |
| SA40 | 100001xxx | 64/32 | 210000h–21FFFFFFh | 108000h–10FFFFh | SA57 | 110010xxx | 64/32 | 320000h–32FFFFFFh | 190000h–197FFFh |
| SA41 | 100010xxx | 64/32 | 220000h–22FFFFFFh | 110000h–117FFFh | SA58 | 110011xxx | 64/32 | 330000h–33FFFFFFh | 198000h–19FFFFh |
| SA42 | 101011xxx | 64/32 | 230000h–23FFFFFFh | 118000h–11FFFFh | SA59 | 100100xxx | 64/32 | 340000h–34FFFFFFh | 1A0000h–1A7FFFh |
| SA43 | 100100xxx | 64/32 | 240000h–24FFFFFFh | 120000h–127FFFh | SA60 | 110101xxx | 64/32 | 350000h–35FFFFFFh | 1A8000h–1AFFFFh |
| SA44 | 101010xxx | 64/32 | 250000h–25FFFFFFh | 128000h–12FFFFh | SA61 | 110110xxx | 64/32 | 360000h–36FFFFFFh | 1B0000h–1B7FFFh |
| SA45 | 100110xxx | 64/32 | 260000h–26FFFFFFh | 130000h–137FFFh | SA62 | 110111xxx | 64/32 | 370000h–37FFFFFFh | 1B8000h–1BFFFFh |
| SA46 | 100111xxx | 64/32 | 270000h–27FFFFFFh | 138000h–13FFFFh | SA63 | 111000xxx | 64/32 | 380000h–38FFFFFFh | 1C0000h–1C7FFFh |
| SA47 | 101000xxx | 64/32 | 280000h–28FFFFFFh | 140000h–147FFFh | SA64 | 111001xxx | 64/32 | 390000h–39FFFFFFh | 1C8000h–1CFFFFh |
| SA48 | 101001xxx | 64/32 | 290000h–29FFFFFFh | 148000h–14FFFFh | SA65 | 111010xxx | 64/32 | 3A0000h–3AFFFFFFh | 1D0000h–1D7FFFh |
| SA49 | 101010xxx | 64/32 | 2A0000h–2AFFFFFFh | 150000h–157FFFh | SA66 | 111011xxx | 64/32 | 3B0000h–3BFFFFFFh | 1D8000h–1DFFFFh |
| SA50 | 101011xxx | 64/32 | 2B0000h–2BFFFFFFh | 158000h–15FFFFh | SA67 | 111100xxx | 64/32 | 3C0000h–3CFFFFFFh | 1E0000h–1E7FFFh |
| SA51 | 101100xxx | 64/32 | 2C0000h–2CFFFFFFh | 160000h–167FFFh | SA68 | 111101xxx | 64/32 | 3D0000h–3DFFFFFFh | 1E8000h–1EFFFFh |
| SA52 | 101101xxx | 64/32 | 2D0000h–2DFFFFFFh | 168000h–16FFFFh | SA69 | 111110xxx | 64/32 | 3E0000h–3EFFFFFFh | 1F0000h–1F7FFFh |
| SA53 | 101110xxx | 64/32 | 2E0000h–2EFFFFFFh | 170000h–177FFFh | SA70 | 111111xxx | 64/32 | 3F0000h–3FFFFFFh | 1F8000h–1FFFFFFh |
| SA54 | 101111xxx | 64/32 | 2F0000h–2FFFFFFh | 178000h–17FFFFh | | | | | |

Table 7. S29GL064A (Models RI, R2, R8, R9) Sector Addresses (Sheet 1 of 2)

| Sector | A21–A15 | Sector Size (KB/Kwords) | 8-bit Address Range | 16-bit Address Range | Sector | A21–A15 | Sector Size (KB/Kwords) | 8-bit Address Range | 16-bit Address Range |
|--------|---------|-------------------------|---------------------|----------------------|--------|---------|-------------------------|---------------------|----------------------|
| SA0 | 0000000 | 64/32 | 000000–00FFFF | 000000–007FFF | SA37 | 0100101 | 64/32 | 250000–25FFFF | 128000–12FFFF |
| SA1 | 0000001 | 64/32 | 010000–01FFFF | 008000–00FFFF | SA38 | 0100110 | 64/32 | 260000–26FFFF | 130000–137FFF |
| SA2 | 0000010 | 64/32 | 020000–02FFFF | 010000–017FFF | SA39 | 0100111 | 64/32 | 270000–27FFFF | 138000–13FFFF |
| SA3 | 0000011 | 64/32 | 030000–03FFFF | 018000–01FFFF | SA40 | 0101000 | 64/32 | 280000–28FFFF | 140000–147FFF |
| SA4 | 0000100 | 64/32 | 040000–04FFFF | 020000–027FFF | SA41 | 0101001 | 64/32 | 290000–29FFFF | 148000–14FFFF |
| SA5 | 0000101 | 64/32 | 050000–05FFFF | 028000–02FFFF | SA42 | 0101010 | 64/32 | 2A0000–2AFFFF | 150000–157FFF |
| SA6 | 0000110 | 64/32 | 060000–06FFFF | 030000–037FFF | SA43 | 0101011 | 64/32 | 2B0000–2BFFFF | 158000–15FFFF |
| SA7 | 0000111 | 64/32 | 070000–07FFFF | 038000–03FFFF | SA44 | 0101100 | 64/32 | 2C0000–2CFFFF | 160000–167FFF |
| SA8 | 0001000 | 64/32 | 080000–08FFFF | 040000–047FFF | SA45 | 0101101 | 64/32 | 2D0000–2DFFFF | 168000–16FFFF |
| SA9 | 0001001 | 64/32 | 090000–09FFFF | 048000–04FFFF | SA46 | 0101110 | 64/32 | 2E0000–2EFFFF | 170000–177FFF |
| SA10 | 0001010 | 64/32 | 0A0000–0AFFFF | 050000–057FFF | SA47 | 0101111 | 64/32 | 2F0000–2FFFFF | 178000–17FFFF |
| SA11 | 0001011 | 64/32 | 0B0000–0BFFFF | 058000–05FFFF | SA48 | 0110000 | 64/32 | 300000–30FFFF | 180000–187FFF |
| SA12 | 0001100 | 64/32 | 0C0000–0CFFFF | 060000–067FFF | SA49 | 0110001 | 64/32 | 310000–31FFFF | 188000–18FFFF |
| SA13 | 0001101 | 64/32 | 0D0000–0DFFFF | 068000–06FFFF | SA50 | 0110010 | 64/32 | 320000–32FFFF | 190000–197FFF |
| SA14 | 0001110 | 64/32 | 0E0000–0EFFFF | 070000–077FFF | SA51 | 0110011 | 64/32 | 330000–33FFFF | 198000–19FFFF |
| SA15 | 0001111 | 64/32 | 0F0000–0FFFFF | 078000–07FFFF | SA52 | 0110100 | 64/32 | 340000–34FFFF | 1A0000–1A7FFF |
| SA16 | 0010000 | 64/32 | 100000–10FFFF | 080000–087FFF | SA53 | 0110101 | 64/32 | 350000–35FFFF | 1A8000–1AFFFF |
| SA17 | 0010001 | 64/32 | 110000–11FFFF | 088000–08FFFF | SA54 | 0110110 | 64/32 | 360000–36FFFF | 1B0000–1B7FFF |
| SA18 | 0010010 | 64/32 | 120000–12FFFF | 090000–097FFF | SA55 | 0110111 | 64/32 | 370000–37FFFF | 1B8000–1BFFFF |
| SA19 | 0010011 | 64/32 | 130000–13FFFF | 098000–09FFFF | SA56 | 0111000 | 64/32 | 380000–38FFFF | 1C0000–1C7FFF |
| SA20 | 0010100 | 64/32 | 140000–14FFFF | 0A0000–0A7FFF | SA57 | 0111001 | 64/32 | 390000–39FFFF | 1C8000–1CFFFF |
| SA21 | 0010101 | 64/32 | 150000–15FFFF | 0A8000–0AFFFF | SA58 | 0111010 | 64/32 | 3A0000–3AFFFF | 1D0000–1D7FFF |
| SA22 | 0010110 | 64/32 | 160000–16FFFF | 0B0000–0B7FFF | SA59 | 0111011 | 64/32 | 3B0000–3BFFFF | 1D8000–1DFFFF |
| SA23 | 0010111 | 64/32 | 170000–17FFFF | 0B8000–0BFFFF | SA60 | 0111100 | 64/32 | 3C0000–3CFFFF | 1E0000–1E7FFF |
| SA24 | 0011000 | 64/32 | 180000–18FFFF | 0C0000–0C7FFF | SA61 | 0111101 | 64/32 | 3D0000–3DFFFF | 1E8000–1EFFFF |
| SA25 | 0011001 | 64/32 | 190000–19FFFF | 0C8000–0CFFFF | SA62 | 0111110 | 64/32 | 3E0000–3EFFFF | 1F0000–1F7FFF |
| SA26 | 0011010 | 64/32 | 1A0000–1AFFFF | 0D0000–0D7FFF | SA63 | 0111111 | 64/32 | 3F0000–3FFFFF | 1F8000–1FFFFFF |
| SA27 | 0011011 | 64/32 | 1B0000–1BFFFF | 0D8000–0DFFFF | SA64 | 1000000 | 64/32 | 400000–40FFFF | 200000–207FFF |
| SA28 | 0011100 | 64/32 | 1C0000–1CFFFF | 0E0000–0E7FFF | SA65 | 1000001 | 64/32 | 410000–41FFFF | 208000–20FFFF |
| SA29 | 0011101 | 64/32 | 1D0000–1DFFFF | 0E8000–0EFFFF | SA66 | 1000010 | 64/32 | 420000–42FFFF | 210000–217FFF |
| SA30 | 0011110 | 64/32 | 1E0000–1EFFFF | 0F0000–0F7FFF | SA67 | 1000011 | 64/32 | 430000–43FFFF | 218000–21FFFF |
| SA31 | 0011111 | 64/32 | 1F0000–1FFFFF | 0F8000–0FFFFF | SA68 | 1000100 | 64/32 | 440000–44FFFF | 220000–227FFF |
| SA32 | 0100000 | 64/32 | 200000–20FFFF | 100000–107FFF | SA69 | 1000101 | 64/32 | 450000–45FFFF | 228000–22FFFF |
| SA33 | 0100001 | 64/32 | 210000–21FFFF | 108000–10FFFF | SA70 | 1000110 | 64/32 | 460000–46FFFF | 230000–237FFF |
| SA34 | 0100010 | 64/32 | 220000–22FFFF | 110000–117FFF | SA71 | 1000111 | 64/32 | 470000–47FFFF | 238000–23FFFF |
| SA35 | 0100011 | 64/32 | 230000–23FFFF | 118000–11FFFF | SA72 | 1001000 | 64/32 | 480000–48FFFF | 240000–247FFF |
| SA36 | 0100100 | 64/32 | 240000–24FFFF | 120000–127FFF | SA73 | 1001001 | 64/32 | 490000–49FFFF | 248000–24FFFF |

Table 7. S29GL064A (Models RI, R2, R8, R9) Sector Addresses (Sheet 2 of 2)

| Sector | A21-A15 | Sector Size (KB/Kwords) | 8-bit Address Range | 16-bit Address Range | Sector | A21-A15 | Sector Size (KB/Kwords) | 8-bit Address Range | 16-bit Address Range |
|--------|---------|-------------------------|---------------------|----------------------|--------|---------|-------------------------|---------------------|----------------------|
| SA74 | 1001010 | 64/32 | 4A0000-4AFFFF | 250000-257FFF | SA101 | 1100101 | 64/32 | 650000-65FFFF | 328000-32FFFF |
| SA75 | 1001011 | 64/32 | 4B0000-4BFFFF | 258000-25FFFF | SA102 | 1100110 | 64/32 | 660000-66FFFF | 330000-33FFFF |
| SA76 | 1001100 | 64/32 | 4C0000-4CFFFF | 260000-267FFF | SA103 | 1100111 | 64/32 | 670000-67FFFF | 338000-33FFFF |
| SA77 | 1001101 | 64/32 | 4D0000-4DFFFF | 268000-26FFFF | SA104 | 1101000 | 64/32 | 680000-68FFFF | 340000-347FFF |
| SA78 | 1001110 | 64/32 | 4E0000-4EFFFF | 270000-277FFF | SA105 | 1101001 | 64/32 | 690000-69FFFF | 348000-34FFFF |
| SA79 | 1001111 | 64/32 | 4F0000-4FFFFF | 278000-27FFFF | SA106 | 1101010 | 64/32 | 6A0000-6AFFFF | 350000-357FFF |
| SA80 | 1010000 | 64/32 | 500000-50FFFF | 280000-287FFF | SA107 | 1101011 | 64/32 | 6B0000-6BFFFF | 358000-35FFFF |
| SA81 | 1010001 | 64/32 | 510000-51FFFF | 288000-28FFFF | SA108 | 1101100 | 64/32 | 6C0000-6CFFFF | 360000-367FFF |
| SA82 | 1010010 | 64/32 | 520000-52FFFF | 290000-297FFF | SA109 | 1101101 | 64/32 | 6D0000-6DFFFF | 368000-36FFFF |
| SA83 | 1010011 | 64/32 | 530000-53FFFF | 298000-29FFFF | SA110 | 1101110 | 64/32 | 6E0000-6EFFFF | 370000-377FFF |
| SA84 | 1010100 | 64/32 | 540000-54FFFF | 2A0000-2A7FFF | SA111 | 1101111 | 64/32 | 6F0000-6FFFFF | 378000-37FFFF |
| SA85 | 1010101 | 64/32 | 550000-55FFFF | 2A8000-2AFFFF | SA112 | 1110000 | 64/32 | 700000-70FFFF | 380000-387FFF |
| SA86 | 1010110 | 64/32 | 560000-56FFFF | 2B0000-2B7FFF | SA113 | 1110001 | 64/32 | 710000-71FFFF | 388000-38FFFF |
| SA87 | 1010111 | 64/32 | 570000-57FFFF | 2B8000-2BFFFF | SA114 | 1110010 | 64/32 | 720000-72FFFF | 390000-397FFF |
| SA88 | 1011000 | 64/32 | 580000-58FFFF | 2C0000-2C7FFF | SA115 | 1110011 | 64/32 | 730000-73FFFF | 398000-39FFFF |
| SA89 | 1011001 | 64/32 | 590000-59FFFF | 2C8000-2CFFFF | SA116 | 1110100 | 64/32 | 740000-74FFFF | 3A0000-3A7FFF |
| SA90 | 1011010 | 64/32 | 5A0000-5AFFFF | 2D0000-2D7FFF | SA117 | 1110101 | 64/32 | 750000-75FFFF | 3A8000-3AFFFF |
| SA91 | 1011011 | 64/32 | 5B0000-5BFFFF | 2D8000-2DFFFF | SA118 | 1110110 | 64/32 | 760000-76FFFF | 3B0000-3B7FFF |
| SA92 | 1011100 | 64/32 | 5C0000-5CFFFF | 2E0000-2E7FFF | SA119 | 1110111 | 64/32 | 770000-77FFFF | 3B8000-3BFFFF |
| SA93 | 1011101 | 64/32 | 5D0000-5DFFFF | 2E8000-2EFFFF | SA120 | 1111000 | 64/32 | 780000-78FFFF | 3C0000-3C7FFF |
| SA94 | 1011110 | 64/32 | 5E0000-5EFFFF | 2F0000-2F7FFF | SA121 | 1111001 | 64/32 | 790000-79FFFF | 3C8000-3CFFFF |
| SA95 | 1011111 | 64/32 | 5F0000-5FFFFF | 2F8000-2FFFFF | SA122 | 1111010 | 64/32 | 7A0000-7AFFFF | 3D0000-3D7FFF |
| SA96 | 1100000 | 64/32 | 600000-60FFFF | 300000-307FFF | SA123 | 1111011 | 64/32 | 7B0000-7BFFFF | 3D8000-3DFFFF |
| SA97 | 1100001 | 64/32 | 610000-61FFFF | 308000-30FFFF | SA124 | 1111100 | 64/32 | 7C0000-7CFFFF | 3E0000-3E7FFF |
| SA98 | 1100010 | 64/32 | 620000-62FFFF | 310000-317FFF | SA125 | 1111101 | 64/32 | 7D0000-7DFFFF | 3E8000-3EFFFF |
| SA99 | 1100011 | 64/32 | 630000-63FFFF | 318000-31FFFF | SA126 | 1111110 | 64/32 | 7E0000-7EFFFF | 3F0000-3F7FFF |
| SA100 | 1100100 | 64/32 | 640000-64FFFF | 320000-327FFF | SA127 | 1111111 | 64/32 | 7F0000-7FFFFF | 3F8000-3FFFFF |

Table 8. S29GL064A (Model R3) Top Boot Sector Addresses (Sheet 1 of 2)

| Sector | A21-A15 | Sector Size (KB/Kwords) | 8-bit Address Range | 16-bit Address Range | Sector | A21-A15 | Sector Size (KB/Kwords) | 8-bit Address Range | 16-bit Address Range |
|--------|------------|-------------------------|---------------------|----------------------|--------|------------|-------------------------|---------------------|----------------------|
| SA0 | 0000000xxx | 64/32 | 000000h-00FFFFh | 00000h-07FFFh | SA34 | 0100010xxx | 64/32 | 220000h-22FFFFh | 110000h-117FFFh |
| SA1 | 0000001xxx | 64/32 | 010000h-01FFFFh | 08000h-0FFFFh | SA35 | 0101011xxx | 64/32 | 230000h-23FFFFh | 118000h-11FFFFh |
| SA2 | 0000010xxx | 64/32 | 020000h-02FFFFh | 10000h-17FFFh | SA36 | 0100100xxx | 64/32 | 240000h-24FFFFh | 120000h-127FFFh |
| SA3 | 0000011xxx | 64/32 | 030000h-03FFFFh | 18000h-1FFFFh | SA37 | 0100101xxx | 64/32 | 250000h-25FFFFh | 128000h-12FFFFh |
| SA4 | 0000100xxx | 64/32 | 040000h-04FFFFh | 20000h-27FFFh | SA38 | 0100110xxx | 64/32 | 260000h-26FFFFh | 130000h-137FFFh |
| SA5 | 0000101xxx | 64/32 | 050000h-05FFFFh | 28000h-2FFFFh | SA39 | 0100111xxx | 64/32 | 270000h-27FFFFh | 138000h-13FFFFh |
| SA6 | 0000110xxx | 64/32 | 060000h-06FFFFh | 30000h-37FFFh | SA40 | 0101000xxx | 64/32 | 280000h-28FFFFh | 140000h-147FFFh |
| SA7 | 0000111xxx | 64/32 | 070000h-07FFFFh | 38000h-3FFFFh | SA41 | 0101001xxx | 64/32 | 290000h-29FFFFh | 148000h-14FFFFh |
| SA8 | 0001000xxx | 64/32 | 080000h-08FFFFh | 40000h-47FFFh | SA42 | 0101010xxx | 64/32 | 2A0000h-2AFFFFh | 150000h-157FFFh |
| SA9 | 0001001xxx | 64/32 | 090000h-09FFFFh | 48000h-4FFFFh | SA43 | 0101011xxx | 64/32 | 2B0000h-2BFFFFh | 158000h-15FFFFh |
| SA10 | 0001010xxx | 64/32 | 0A0000h-0AFFFFh | 50000h-57FFFh | SA44 | 0101100xxx | 64/32 | 2C0000h-2CFFFFh | 160000h-167FFFh |
| SA11 | 0001011xxx | 64/32 | 0B0000h-0BFFFFh | 58000h-5FFFFh | SA45 | 0101101xxx | 64/32 | 2D0000h-2DFFFFh | 168000h-16FFFFh |
| SA12 | 0001100xxx | 64/32 | 0C0000h-0CFFFFh | 60000h-67FFFh | SA46 | 0101110xxx | 64/32 | 2E0000h-2EFFFFh | 170000h-177FFFh |
| SA13 | 0001101xxx | 64/32 | 0D0000h-0DFFFFh | 68000h-6FFFFh | SA47 | 0101111xxx | 64/32 | 2F0000h-2FFFFh | 178000h-17FFFFh |
| SA14 | 0001101xxx | 64/32 | 0E0000h-0EFFFFh | 70000h-77FFFh | SA48 | 0110000xxx | 64/32 | 300000h-30FFFFh | 180000h-187FFFh |
| SA15 | 0001111xxx | 64/32 | 0F0000h-0FFFFh | 78000h-7FFFFh | SA49 | 0110001xxx | 64/32 | 310000h-31FFFFh | 188000h-18FFFFh |
| SA16 | 0010000xxx | 64/32 | 100000h-00FFFFh | 80000h-87FFFh | SA50 | 0110010xxx | 64/32 | 320000h-32FFFFh | 190000h-197FFFh |
| SA17 | 0010010xxx | 64/32 | 110000h-11FFFFh | 88000h-8FFFFh | SA51 | 0110011xxx | 64/32 | 330000h-33FFFFh | 198000h-19FFFFh |
| SA18 | 0010010xxx | 64/32 | 120000h-12FFFFh | 90000h-97FFFh | SA52 | 0100100xxx | 64/32 | 340000h-34FFFFh | 1A0000h-1A7FFFh |
| SA19 | 0010011xxx | 64/32 | 130000h-13FFFFh | 98000h-9FFFFh | SA53 | 0110101xxx | 64/32 | 350000h-35FFFFh | 1A8000h-1AFFFFh |
| SA20 | 0010100xxx | 64/32 | 140000h-14FFFFh | A0000h-A7FFFh | SA54 | 0110110xxx | 64/32 | 360000h-36FFFFh | 1B0000h-1B7FFFh |
| SA21 | 0010101xxx | 64/32 | 150000h-15FFFFh | A8000h-AFFFFh | SA55 | 0110111xxx | 64/32 | 370000h-37FFFFh | 1B8000h-1BFFFFh |
| SA22 | 0010110xxx | 64/32 | 160000h-16FFFFh | B0000h-B7FFFh | SA56 | 0111000xxx | 64/32 | 380000h-38FFFFh | 1C0000h-1C7FFFh |
| SA23 | 0010111xxx | 64/32 | 170000h-17FFFFh | B8000h-BFFFFh | SA57 | 0111001xxx | 64/32 | 390000h-39FFFFh | 1C8000h-1CFFFFh |
| SA24 | 0011000xxx | 64/32 | 180000h-18FFFFh | C0000h-C7FFFh | SA58 | 0111010xxx | 64/32 | 3A0000h-3AFFFFh | 1D0000h-1D7FFFh |
| SA25 | 0011001xxx | 64/32 | 190000h-19FFFFh | C8000h-CFFFFh | SA59 | 0111011xxx | 64/32 | 3B0000h-3BFFFFh | 1F8000h-1DFFFFh |
| SA26 | 0011010xxx | 64/32 | 1A0000h-1AFFFFh | D0000h-D7FFFh | SA60 | 0111100xxx | 64/32 | 3C0000h-3CFFFFh | 1E0000h-1E7FFFh |
| SA27 | 0011011xxx | 64/32 | 1B0000h-1BFFFFh | D8000h-DFFFFh | SA61 | 0111101xxx | 64/32 | 3D0000h-3DFFFFh | 1E8000h-1EFFFFh |
| SA28 | 0011000xxx | 64/32 | 1C0000h-1CFFFFh | E0000h-E7FFFh | SA62 | 0111110xxx | 64/32 | 3E0000h-3EFFFFh | 1F0000h-1F7FFFh |
| SA29 | 0011101xxx | 64/32 | 1D0000h-1DFFFFh | E8000h-EFFFFh | SA63 | 0111111xxx | 64/32 | 3F0000h-3FFFFh | 1F8000h-1FFFFh |
| SA30 | 0011110xxx | 64/32 | 1E0000h-1EFFFFh | F0000h-F7FFFh | SA64 | 1000000xxx | 64/32 | 400000h-40FFFFh | 200000h-207FFFh |
| SA31 | 0011111xxx | 64/32 | 1F0000h-1FFFFh | F8000h-FFFFFh | SA65 | 1000001xxx | 64/32 | 410000h-41FFFFh | 208000h-20FFFFh |
| SA32 | 0100000xxx | 64/32 | 200000h-20FFFFh | F9000h-107FFFh | SA66 | 1000010xxx | 64/32 | 420000h-42FFFFh | 210000h-217FFFh |
| SA33 | 0100001xxx | 64/32 | 210000h-21FFFFh | 108000h-10FFFFh | SA67 | 1000011xxx | 64/32 | 430000h-43FFFFh | 218000h-21FFFFh |

Table 8. S29GL064A (Model R3) Top Boot Sector Addresses (Sheet 2 of 2)

| Sector | A21-A15 | Sector Size (KB/Kwords) | 8-bit Address Range | 16-bit Address Range | Sector | A21-A15 | Sector Size (KB/Kwords) | 8-bit Address Range | 16-bit Address Range |
|--------|------------|-------------------------|---------------------|----------------------|--------|------------|-------------------------|---------------------|----------------------|
| SA68 | 1000100xxx | 64/32 | 440000h-44FFFFh | 220000h-227FFFh | SA102 | 1100110xxx | 64/32 | 660000h-66FFFFh | 330000h-337FFFh |
| SA69 | 1000101xxx | 64/32 | 450000h-45FFFFh | 228000h-22FFFFh | SA103 | 1100111xxx | 64/32 | 670000h-67FFFFh | 338000h-33FFFFh |
| SA70 | 1000110xxx | 64/32 | 460000h-46FFFFh | 230000h-237FFFh | SA104 | 1101000xxx | 64/32 | 680000h-68FFFFh | 340000h-347FFFh |
| SA71 | 1000111xxx | 64/32 | 470000h-47FFFFh | 238000h-23FFFFh | SA105 | 1101001xxx | 64/32 | 690000h-69FFFFh | 348000h-34FFFFh |
| SA72 | 1001000xxx | 64/32 | 480000h-48FFFFh | 240000h-247FFFh | SA106 | 1101010xxx | 64/32 | 6A0000h-6AFFFFh | 350000h-357FFFh |
| SA73 | 1001001xxx | 64/32 | 490000h-49FFFFh | 248000h-24FFFFh | SA107 | 1101011xxx | 64/32 | 6B0000h-6BFFFFh | 358000h-35FFFFh |
| SA74 | 1001010xxx | 64/32 | 4A0000h-4AFFFFh | 250000h-257FFFh | SA108 | 1101100xxx | 64/32 | 6C0000h-6CFFFFh | 360000h-367FFFh |
| SA75 | 1001011xxx | 64/32 | 4B0000h-4BFFFFh | 258000h-25FFFFh | SA109 | 1101101xxx | 64/32 | 6D0000h-6DFFFFh | 368000h-36FFFFh |
| SA76 | 1001100xxx | 64/32 | 4C0000h-4CFFFFh | 260000h-267FFFh | SA110 | 1101110xxx | 64/32 | 6E0000h-6EFFFFh | 370000h-377FFFh |
| SA77 | 1001101xxx | 64/32 | 4D0000h-4DFFFFh | 268000h-26FFFFh | SA111 | 1101111xxx | 64/32 | 6F0000h-6FFFFFh | 378000h-37FFFFh |
| SA78 | 1001110xxx | 64/32 | 4E0000h-4EFFFFh | 270000h-277FFFh | SA112 | 1110000xxx | 64/32 | 700000h-70FFFFh | 380000h-387FFFh |
| SA79 | 1001111xxx | 64/32 | 4F0000h-4FFFFFh | 278000h-27FFFFh | SA113 | 1110001xxx | 64/32 | 710000h-71FFFFh | 388000h-38FFFFh |
| SA80 | 1010000xxx | 64/32 | 500000h-50FFFFh | 280000h-28FFFFh | SA114 | 1110010xxx | 64/32 | 720000h-72FFFFh | 390000h-397FFFh |
| SA81 | 1010001xxx | 64/32 | 510000h-51FFFFh | 288000h-28FFFFh | SA115 | 1110011xxx | 64/32 | 730000h-73FFFFh | 398000h-39FFFFh |
| SA82 | 1010010xxx | 64/32 | 520000h-52FFFFh | 290000h-297FFFh | SA116 | 1110100xxx | 64/32 | 740000h-74FFFFh | 3A0000h-3A7FFFh |
| SA83 | 1010011xxx | 64/32 | 530000h-53FFFFh | 298000h-29FFFFh | SA117 | 1110101xxx | 64/32 | 750000h-75FFFFh | 3A8000h-3AFFFFh |
| SA84 | 1010100xxx | 64/32 | 540000h-54FFFFh | 2A0000h-2A7FFFh | SA118 | 1110110xxx | 64/32 | 760000h-76FFFFh | 3B0000h-3B7FFFh |
| SA85 | 1010101xxx | 64/32 | 550000h-55FFFFh | 2A8000h-2AFFFFh | SA119 | 1110111xxx | 64/32 | 770000h-77FFFFh | 3B8000h-3BFFFFh |
| SA86 | 1010110xxx | 64/32 | 560000h-56FFFFh | 2B0000h-2B7FFFh | SA120 | 1111000xxx | 64/32 | 780000h-78FFFFh | 3C0000h-3C7FFFh |
| SA87 | 1010111xxx | 64/32 | 570000h-57FFFFh | 2B8000h-2BFFFFh | SA121 | 1111001xxx | 64/32 | 790000h-79FFFFh | 3C8000h-3CFFFFh |
| SA88 | 1011000xxx | 64/32 | 580000h-58FFFFh | 2C0000h-2C7FFFh | SA122 | 1111010xxx | 64/32 | 7A0000h-7AFFFFh | 3D0000h-3D7FFFh |
| SA89 | 1011001xxx | 64/32 | 590000h-59FFFFh | 2C8000h-2CFFFFh | SA123 | 1111011xxx | 64/32 | 7B0000h-7BFFFFh | 3D8000h-3DFFFFh |
| SA90 | 1011010xxx | 64/32 | 5A0000h-5AFFFFh | 2D0000h-2D7FFFh | SA124 | 1111100xxx | 64/32 | 7C0000h-7CFFFFh | 3E0000h-3E7FFFh |
| SA91 | 1011011xxx | 64/32 | 5B0000h-5BFFFFh | 2D8000h-2DFFFFh | SA125 | 1111101xxx | 64/32 | 7D0000h-7DFFFFh | 3E8000h-3EFFFFh |
| SA92 | 1011100xxx | 64/32 | 5C0000h-5CFFFFh | 2E0000h-2E7FFFh | SA126 | 1111110xxx | 64/32 | 7E0000h-7EFFFFh | 3F0000h-3F7FFFh |
| SA93 | 1011101xxx | 64/32 | 5D0000h-5DFFFFh | 2E8000h-2EFFFFh | SA127 | 1111111000 | 8/4 | 7F0000h-7F1FFFh | 3F8000h-3F8FFFh |
| SA94 | 1011110xxx | 64/32 | 5E0000h-5EFFFFh | 2F0000h-2F7FFFh | SA128 | 1111111001 | 8/4 | 7F2000h-7F3FFFh | 3F9000h-3F9FFFh |
| SA95 | 1011111xxx | 64/32 | 5F0000h-5FFFFFh | 2F8000h-2F7FFFh | SA129 | 1111111010 | 8/4 | 7F4000h-7F5FFFh | 3FA000h-3FAFFFh |
| SA96 | 1100000xxx | 64/32 | 600000h-60FFFFh | 300000h-307FFFh | SA130 | 1111111011 | 8/4 | 7F6000h-7F7FFFh | 3FB000h-3FBFFFh |
| SA97 | 1100001xxx | 64/32 | 610000h-61FFFFh | 308000h-30FFFFh | SA131 | 1111111100 | 8/4 | 7F8000h-7F9FFFh | 3FC000h-3FCFFFh |
| SA98 | 1100010xxx | 64/32 | 620000h-62FFFFh | 310000h-317FFFh | SA132 | 1111111101 | 8/4 | 7FA000h-7FBFFFh | 3FD000h-3FDFFFh |
| SA99 | 1100011xxx | 64/32 | 630000h-63FFFFh | 318000h-31FFFFh | SA133 | 1111111110 | 8/4 | 7FC000h-7FDFFFh | 3FE000h-3FEFFFh |
| SA100 | 1100100xxx | 64/32 | 640000h-64FFFFh | 320000h-327FFFh | SA134 | 1111111111 | 8/4 | 7FE000h-7FFFFFh | 3FF000h-3FFFFFh |
| SA101 | 1100101xxx | 64/32 | 650000h-65FFFFh | 328000h-32FFFFh | | | | | |

Table 9. S29GL064A (Model R4) Bottom Boot Sector Addresses (Sheet 1 of 2)

| Sector | A21-A15 | Sector Size (KB/Kwords) | 8-bit Address Range | 16-bit Address Range | Sector | A21-A15 | Sector Size (KB/Kwords) | 8-bit Address Range | 16-bit Address Range |
|--------|------------|-------------------------|---------------------|----------------------|--------|-------------|-------------------------|---------------------|----------------------|
| SA0 | 0000000000 | 8/4 | 000000h-001FFFh | 00000h-00FFFh | SA27 | 0010100xxx | 64/32 | 140000h-14FFFFh | A0000h-A7FFFh |
| SA1 | 0000000001 | 8/4 | 002000h-003FFFh | 01000h-01FFFh | SA28 | 0010101xxx | 64/32 | 150000h-15FFFFh | A8000h-AFFFFh |
| SA2 | 0000000010 | 8/4 | 004000h-005FFFh | 02000h-02FFFh | SA29 | 00101010xxx | 64/32 | 160000h-16FFFFh | B0000h-B7FFFh |
| SA3 | 0000000011 | 8/4 | 006000h-007FFFh | 03000h-03FFFh | SA30 | 0010111xxx | 64/32 | 170000h-17FFFFh | B8000h-BFFFFh |
| SA4 | 0000000100 | 8/4 | 008000h-009FFFh | 04000h-04FFFh | SA31 | 0011000xxx | 64/32 | 180000h-18FFFFh | C0000h-C7FFFh |
| SA5 | 0000000101 | 8/4 | 00A000h-00BFFFh | 05000h-05FFFh | SA32 | 0011001xxx | 64/32 | 190000h-19FFFFh | C8000h-CFFFFh |
| SA6 | 0000000110 | 8/4 | 00C000h-00DFFFh | 06000h-06FFFh | SA33 | 0011010xxx | 64/32 | 1A0000h-1AFFFFh | D0000h-D7FFFh |
| SA7 | 0000000111 | 8/4 | 00E000h-00FFFFh | 07000h-07FFFh | SA34 | 0011011xxx | 64/32 | 1B0000h-1BFFFFh | D8000h-DFFFFh |
| SA8 | 0000001xxx | 64/32 | 010000h-01FFFh | 08000h-0FFFFh | SA35 | 0011000xxx | 64/32 | 1C0000h-1CFFFFh | E0000h-E7FFFh |
| SA9 | 0000010xxx | 64/32 | 020000h-02FFFh | 10000h-17FFFh | SA36 | 0011101xxx | 64/32 | 1D0000h-1DFFFFh | E8000h-EFFFFh |
| SA10 | 0000011xxx | 64/32 | 030000h-03FFFh | 18000h-1FFFFh | SA37 | 0011110xxx | 64/32 | 1E0000h-1EFFFFh | F0000h-F7FFFh |
| SA11 | 0000100xxx | 64/32 | 040000h-04FFFh | 20000h-27FFFh | SA38 | 0011111xxx | 64/32 | 1F0000h-1FFFFFh | F8000h-FFFFFh |
| SA12 | 0000101xxx | 64/32 | 050000h-05FFFh | 28000h-2FFFFh | SA39 | 0100000xxx | 64/32 | 200000h-20FFFFh | F9000h-107FFFh |
| SA13 | 0000110xxx | 64/32 | 060000h-06FFFh | 30000h-37FFFh | SA40 | 0100001xxx | 64/32 | 210000h-21FFFFh | 108000h-10FFFFh |
| SA14 | 0000111xxx | 64/32 | 070000h-07FFFh | 38000h-3FFFFh | SA41 | 0100010xxx | 64/32 | 220000h-22FFFFh | 110000h-117FFFh |
| SA15 | 0001000xxx | 64/32 | 080000h-08FFFh | 40000h-47FFFh | SA42 | 0101011xxx | 64/32 | 230000h-23FFFFh | 118000h-11FFFFh |
| SA16 | 0001001xxx | 64/32 | 090000h-09FFFh | 48000h-4FFFFh | SA43 | 0100100xxx | 64/32 | 240000h-24FFFFh | 120000h-127FFFh |
| SA17 | 0001010xxx | 64/32 | 0A0000h-0AFFFh | 50000h-57FFFh | SA44 | 0100101xxx | 64/32 | 250000h-25FFFFh | 128000h-12FFFFh |
| SA18 | 0001011xxx | 64/32 | 0B0000h-0BFFFh | 58000h-5FFFFh | SA45 | 0100110xxx | 64/32 | 260000h-26FFFFh | 130000h-137FFFh |
| SA19 | 0001100xxx | 64/32 | 0C0000h-0CFFFh | 60000h-67FFFh | SA46 | 0100111xxx | 64/32 | 270000h-27FFFFh | 138000h-13FFFFh |
| SA20 | 0001101xxx | 64/32 | 0D0000h-0DFFFh | 68000h-6FFFFh | SA47 | 0101000xxx | 64/32 | 280000h-28FFFFh | 140000h-147FFFh |
| SA21 | 0001101xxx | 64/32 | 0E0000h-0EFFFh | 70000h-77FFFh | SA48 | 0101001xxx | 64/32 | 290000h-29FFFFh | 148000h-14FFFFh |
| SA22 | 0001111xxx | 64/32 | 0F0000h-0FFFFh | 78000h-7FFFFh | SA49 | 0101010xxx | 64/32 | 2A0000h-2AFFFFh | 150000h-157FFFh |
| SA23 | 0010000xxx | 64/32 | 100000h-00FFFh | 80000h-87FFFh | SA50 | 0101011xxx | 64/32 | 2B0000h-2BFFFFh | 158000h-15FFFFh |
| SA24 | 0010001xxx | 64/32 | 110000h-11FFFh | 88000h-8FFFFh | SA51 | 0101100xxx | 64/32 | 2C0000h-2CFFFFh | 160000h-167FFFh |
| SA25 | 0010010xxx | 64/32 | 120000h-12FFFh | 90000h-97FFFh | SA52 | 0101101xxx | 64/32 | 2D0000h-2DFFFFh | 168000h-16FFFFh |
| SA26 | 0010011xxx | 64/32 | 130000h-13FFFh | 98000h-9FFFFh | SA53 | 0101110xxx | 64/32 | 2E0000h-2EFFFFh | 170000h-177FFFh |

Table 9. S29GL064A (Model R4) Bottom Boot Sector Addresses (Sheet 2 of 2)

| Sector | A21-A15 | Sector Size (KB/Kwords) | 8-bit Address Range | 16-bit Address Range | Sector | A21-A15 | Sector Size (KB/Kwords) | 8-bit Address Range | 16-bit Address Range |
|--------|------------|-------------------------|---------------------|----------------------|--------|------------|-------------------------|---------------------|----------------------|
| SA54 | 010111xxx | 64/32 | 2F0000h-2FFFFFFh | 178000h-17FFFFh | SA95 | 1011000xxx | 64/32 | 580000h-58FFFFh | 2C0000h-2C7FFFh |
| SA55 | 0110000xxx | 64/32 | 300000h-30FFFFh | 180000h-187FFFh | SA96 | 1011001xxx | 64/32 | 590000h-59FFFFh | 2C8000h-2CFFFFh |
| SA56 | 0110001xxx | 64/32 | 310000h-31FFFFh | 188000h-18FFFFh | SA97 | 1011010xxx | 64/32 | 5A0000h-5AFFFFh | 2D0000h-2D7FFFh |
| SA57 | 0110010xxx | 64/32 | 320000h-32FFFFh | 190000h-197FFFh | SA98 | 1011011xxx | 64/32 | 5B0000h-5BFFFFh | 2D8000h-2DFFFFh |
| SA58 | 0110011xxx | 64/32 | 330000h-33FFFFh | 198000h-19FFFFh | SA99 | 1011100xxx | 64/32 | 5C0000h-5CFFFFh | 2E0000h-2E7FFFh |
| SA59 | 0100100xxx | 64/32 | 340000h-34FFFFh | 1A0000h-1A7FFFh | SA100 | 1011101xxx | 64/32 | 5D0000h-5DFFFFh | 2E8000h-2EFFFFh |
| SA60 | 0110101xxx | 64/32 | 350000h-35FFFFh | 1A8000h-1AFFFFh | SA101 | 1011110xxx | 64/32 | 5E0000h-5EFFFFh | 2F0000h-2F7FFFh |
| SA61 | 0110110xxx | 64/32 | 360000h-36FFFFh | 1B0000h-1B7FFFh | SA102 | 1011111xxx | 64/32 | 5F0000h-5FFFFFh | 2F8000h-2F7FFFh |
| SA62 | 0110111xxx | 64/32 | 370000h-37FFFFh | 1B8000h-1BFFFFh | SA103 | 1100000xxx | 64/32 | 600000h-60FFFFh | 300000h-307FFFh |
| SA63 | 0111000xxx | 64/32 | 380000h-38FFFFh | 1C0000h-1C7FFFh | SA104 | 1100001xxx | 64/32 | 610000h-61FFFFh | 308000h-30FFFFh |
| SA64 | 0111001xxx | 64/32 | 390000h-39FFFFh | 1C8000h-1CFFFFh | SA105 | 1100010xxx | 64/32 | 620000h-62FFFFh | 310000h-317FFFh |
| SA65 | 0111010xxx | 64/32 | 3A0000h-3AFFFFh | 1D0000h-1D7FFFh | SA106 | 1100011xxx | 64/32 | 630000h-63FFFFh | 318000h-31FFFFh |
| SA66 | 0111011xxx | 64/32 | 3B0000h-3BFFFFh | 1D8000h-1DFFFFh | SA107 | 1100100xxx | 64/32 | 640000h-64FFFFh | 320000h-327FFFh |
| SA67 | 0111100xxx | 64/32 | 3C0000h-3CFFFFh | 1E0000h-1E7FFFh | SA108 | 1100101xxx | 64/32 | 650000h-65FFFFh | 328000h-32FFFFh |
| SA68 | 0111101xxx | 64/32 | 3D0000h-3DFFFFh | 1E8000h-1EFFFFh | SA109 | 1100110xxx | 64/32 | 660000h-66FFFFh | 330000h-337FFFh |
| SA69 | 0111110xxx | 64/32 | 3E0000h-3EFFFFh | 1F0000h-1F7FFFh | SA110 | 1100111xxx | 64/32 | 670000h-67FFFFh | 338000h-33FFFFh |
| SA70 | 0111111xxx | 64/32 | 3F0000h-3FFFFFFh | 1F8000h-1FFFFFFh | SA111 | 1101000xxx | 64/32 | 680000h-68FFFFh | 340000h-347FFFh |
| SA71 | 1000000xxx | 64/32 | 400000h-40FFFFh | 200000h-207FFFh | SA112 | 1101001xxx | 64/32 | 690000h-69FFFFh | 348000h-34FFFFh |
| SA72 | 1000001xxx | 64/32 | 410000h-41FFFFh | 208000h-20FFFFh | SA113 | 1101010xxx | 64/32 | 6A0000h-6AFFFFh | 350000h-357FFFh |
| SA73 | 1000010xxx | 64/32 | 420000h-42FFFFh | 210000h-217FFFh | SA114 | 1101011xxx | 64/32 | 6B0000h-6BFFFFh | 358000h-35FFFFh |
| SA74 | 1000011xxx | 64/32 | 430000h-43FFFFh | 218000h-21FFFFh | SA115 | 1101100xxx | 64/32 | 6C0000h-6CFFFFh | 360000h-367FFFh |
| SA75 | 1000100xxx | 64/32 | 440000h-44FFFFh | 220000h-227FFFh | SA116 | 1101101xxx | 64/32 | 6D0000h-6DFFFFh | 368000h-36FFFFh |
| SA76 | 1000101xxx | 64/32 | 450000h-45FFFFh | 228000h-22FFFFh | SA117 | 1101110xxx | 64/32 | 6E0000h-6EFFFFh | 370000h-377FFFh |
| SA77 | 1000110xxx | 64/32 | 460000h-46FFFFh | 230000h-237FFFh | SA118 | 1101111xxx | 64/32 | 6F0000h-6FFFFFh | 378000h-37FFFFh |
| SA78 | 1000111xxx | 64/32 | 470000h-47FFFFh | 238000h-23FFFFh | SA119 | 1110000xxx | 64/32 | 700000h-70FFFFh | 380000h-387FFFh |
| SA79 | 1001000xxx | 64/32 | 480000h-48FFFFh | 240000h-247FFFh | SA120 | 1110001xxx | 64/32 | 710000h-71FFFFh | 388000h-38FFFFh |
| SA80 | 1001001xxx | 64/32 | 490000h-49FFFFh | 248000h-24FFFFh | SA121 | 1110010xxx | 64/32 | 720000h-72FFFFh | 390000h-397FFFh |
| SA81 | 1001010xxx | 64/32 | 4A0000h-4AFFFFh | 250000h-257FFFh | SA122 | 1110011xxx | 64/32 | 730000h-73FFFFh | 398000h-39FFFFh |
| SA82 | 1001011xxx | 64/32 | 4B0000h-4BFFFFh | 258000h-25FFFFh | SA123 | 1110100xxx | 64/32 | 740000h-74FFFFh | 3A0000h-3A7FFFh |
| SA83 | 1001100xxx | 64/32 | 4C0000h-4CFFFFh | 260000h-267FFFh | SA124 | 1110101xxx | 64/32 | 750000h-75FFFFh | 3A8000h-3AFFFFh |
| SA84 | 1001101xxx | 64/32 | 4D0000h-4DFFFFh | 268000h-26FFFFh | SA125 | 1110110xxx | 64/32 | 760000h-76FFFFh | 3B0000h-3B7FFFh |
| SA85 | 1001110xxx | 64/32 | 4E0000h-4EFFFFh | 270000h-277FFFh | SA126 | 1110111xxx | 64/32 | 770000h-77FFFFh | 3B8000h-3BFFFFh |
| SA86 | 1001111xxx | 64/32 | 4F0000h-4FFFFFFh | 278000h-27FFFFh | SA127 | 1111000xxx | 64/32 | 780000h-78FFFFh | 3C0000h-3C7FFFh |
| SA87 | 1010000xxx | 64/32 | 500000h-50FFFFh | 280000h-28FFFFh | SA128 | 1111001xxx | 64/32 | 790000h-79FFFFh | 3C8000h-3CFFFFh |
| SA88 | 1010001xxx | 64/32 | 510000h-51FFFFh | 288000h-28FFFFh | SA129 | 1111010xxx | 64/32 | 7A0000h-7AFFFFh | 3D0000h-3D7FFFh |
| SA89 | 1010010xxx | 64/32 | 520000h-52FFFFh | 290000h-297FFFh | SA130 | 1111011xxx | 64/32 | 7B0000h-7BFFFFh | 3D8000h-3DFFFFh |
| SA90 | 1010011xxx | 64/32 | 530000h-53FFFFh | 298000h-29FFFFh | SA131 | 1111100xxx | 64/32 | 7C0000h-7CFFFFh | 3E0000h-3E7FFFh |
| SA91 | 1010100xxx | 64/32 | 540000h-54FFFFh | 2A0000h-2A7FFFh | SA132 | 1111101xxx | 64/32 | 7D0000h-7DFFFFh | 3E8000h-3EFFFFh |
| SA92 | 1010101xxx | 64/32 | 550000h-55FFFFh | 2A8000h-2AFFFFh | SA133 | 1111110xxx | 64/32 | 7E0000h-7EFFFFh | 3F0000h-3F7FFFh |
| SA93 | 1010110xxx | 64/32 | 560000h-56FFFFh | 2B0000h-2B7FFFh | SA134 | 1111111000 | 64/32 | 7F0000h-7FFFFFFh | 3F8000h-3FFFFFFh |
| SA94 | 1010111xxx | 64/32 | 570000h-57FFFFh | 2B8000h-2BFFFFh | | | | | |

Table 10. S29GL064A (Model R5) Sector Addresses (Sheet 1 of 2)

| Sector | A21-A15 | 16-bit Address Range | Sector | A21-A15 | 16-bit Address Range |
|--------|----------|----------------------|--------|---------|----------------------|
| SA0 | 0000000 | 000000-007FFF | SA21 | 0010101 | 0A8000-0AFFFF |
| SA1 | 0000001 | 008000-00FFFF | SA22 | 0010110 | 0B0000-0B7FFF |
| SA2 | 0000010 | 010000-017FFF | SA23 | 0010111 | 0B8000-0BFFFF |
| SA3 | 0000011 | 018000-01FFFF | SA24 | 0011000 | 0C0000-0C7FFF |
| SA4 | 0000100 | 020000-027FFF | SA25 | 0011001 | 0C8000-0CFFFF |
| SA5 | 0000101 | 028000-02FFFF | SA26 | 0011010 | 0D0000-0D7FFF |
| SA6 | 0000110 | 030000-037FFF | SA27 | 0011011 | 0D8000-0DFFFF |
| SA7 | 0000111 | 038000-03FFFF | SA28 | 0011100 | 0E0000-0E7FFF |
| SA8 | 00001000 | 040000-047FFF | SA29 | 0011101 | 0E8000-0EFFFF |
| SA9 | 0001001 | 048000-04FFFF | SA30 | 0011110 | 0F0000-0F7FFF |
| SA10 | 0001010 | 050000-057FFF | SA31 | 0011111 | 0F8000-0FFFFF |
| SA11 | 0001011 | 058000-05FFFF | SA32 | 0100000 | 200000-207FFF |
| SA12 | 0001100 | 060000-067FFF | SA33 | 0100001 | 208000-20FFFF |
| SA13 | 0001101 | 068000-06FFFF | SA34 | 0100010 | 210000-217FFF |
| SA14 | 0001110 | 070000-077FFF | SA35 | 0100011 | 218000-21FFFF |
| SA15 | 0001111 | 078000-07FFFF | SA36 | 0100100 | 220000-227FFF |
| SA16 | 0010000 | 080000-087FFF | SA37 | 0100101 | 228000-22FFFF |
| SA17 | 0010001 | 088000-08FFFF | SA38 | 0100110 | 230000-237FFF |
| SA18 | 0010010 | 090000-097FFF | SA39 | 0100111 | 238000-23FFFF |
| SA19 | 0010011 | 098000-09FFFF | SA40 | 0101000 | 240000-247FFF |
| SA20 | 0010100 | 0A0000-0A7FFF | SA41 | 0101001 | 248000-24FFFF |

Table 10. S29GL064A (Model R5) Sector Addresses (Sheet 2 of 2)

| Sector | A21-A15 | 16-bit Address Range | Sector | A21-A15 | 16-bit Address Range |
|--------|---------|----------------------|--------|---------|----------------------|
| SA42 | 0101010 | 250000-257FFF | SA85 | 1010101 | 1A8000-1AFFFF |
| SA43 | 0101011 | 258000-25FFFF | SA86 | 1010110 | 1B0000-1B7FFF |
| SA44 | 0101100 | 260000-267FFF | SA87 | 1010111 | 1B8000-1BFFFF |
| SA45 | 0101101 | 268000-26FFFF | SA88 | 1011000 | 1C0000-1C7FFF |
| SA46 | 0101110 | 270000-277FFF | SA89 | 1011001 | 1C8000-1CFFFF |
| SA47 | 0101111 | 278000-27FFFF | SA90 | 1011010 | 1D0000-1D7FFF |
| SA48 | 0110000 | 280000-287FFF | SA91 | 1011011 | 1D8000-1DFFFF |
| SA49 | 0110001 | 288000-28FFFF | SA92 | 1011100 | 1E0000-1E7FFF |
| SA50 | 0110010 | 290000-297FFF | SA93 | 1011101 | 1E8000-1EFFFF |
| SA51 | 0110011 | 298000-29FFFF | SA94 | 1011110 | 1F0000-1F7FFF |
| SA52 | 0110100 | 2A0000-2A7FFF | SA95 | 1011111 | 1F8000-1FFFFF |
| SA53 | 0110101 | 2A8000-2AFFFF | SA96 | 1100000 | 300000-307FFF |
| SA54 | 0110110 | 2B0000-2B7FFF | SA97 | 1100001 | 308000-30FFFF |
| SA55 | 0110111 | 2B8000-2BFFFF | SA98 | 1100010 | 310000-317FFF |
| SA56 | 0111000 | 2C0000-2C7FFF | SA99 | 1100011 | 318000-31FFFF |
| SA57 | 0111001 | 2C8000-2CFFFF | SA100 | 1100100 | 320000-327FFF |
| SA58 | 0111010 | 2D0000-2D7FFF | SA101 | 1100101 | 328000-32FFFF |
| SA59 | 0111011 | 2D8000-2DFFFF | SA102 | 1100110 | 330000-337FFF |
| SA60 | 0111100 | 2E0000-2E7FFF | SA103 | 1100111 | 338000-33FFFF |
| SA61 | 0111101 | 2E8000-2EFFFF | SA104 | 1101000 | 340000-347FFF |
| SA62 | 0111110 | 2F0000-2F7FFF | SA105 | 1101001 | 348000-34FFFF |
| SA63 | 0111111 | 2F8000-2FFFFF | SA106 | 1101010 | 350000-357FFF |
| SA64 | 1000000 | 100000-107FFF | SA107 | 1101011 | 358000-35FFFF |
| SA65 | 1000001 | 108000-10FFFF | SA108 | 1101100 | 360000-367FFF |
| SA66 | 1000010 | 110000-117FFF | SA109 | 1101101 | 368000-36FFFF |
| SA67 | 1000011 | 118000-11FFFF | SA110 | 1101110 | 370000-377FFF |
| SA68 | 1000100 | 120000-127FFF | SA111 | 1101111 | 378000-37FFFF |
| SA69 | 1000101 | 128000-12FFFF | SA112 | 1110000 | 380000-387FFF |
| SA70 | 1000110 | 130000-137FFF | SA113 | 1110001 | 388000-38FFFF |
| SA71 | 1000111 | 138000-13FFFF | SA114 | 1110010 | 390000-397FFF |
| SA72 | 1001000 | 140000-147FFF | SA115 | 1110011 | 398000-39FFFF |
| SA73 | 1001001 | 148000-14FFFF | SA116 | 1110100 | 3A0000-3A7FFF |
| SA74 | 1001010 | 150000-157FFF | SA117 | 1110101 | 3A8000-3AFFFF |
| SA75 | 1001011 | 158000-15FFFF | SA118 | 1110110 | 3B0000-3B7FFF |
| SA76 | 1001100 | 160000-167FFF | SA119 | 1110111 | 3B8000-3BFFFF |
| SA77 | 1001101 | 168000-16FFFF | SA120 | 1111000 | 3C0000-3C7FFF |
| SA78 | 1001110 | 170000-177FFF | SA121 | 1111001 | 3C8000-3CFFFF |
| SA79 | 1001111 | 178000-17FFFF | SA122 | 1111010 | 3D0000-3D7FFF |
| SA80 | 1010000 | 180000-187FFF | SA123 | 1111011 | 3D8000-3DFFFF |
| SA81 | 1010001 | 188000-18FFFF | SA124 | 1111100 | 3E0000-3E7FFF |
| SA82 | 1010010 | 190000-197FFF | SA125 | 1111101 | 3E8000-3EFFFF |
| SA83 | 1010011 | 198000-19FFFF | SA126 | 1111110 | 3F0000-3F7FFF |
| SA84 | 1010100 | 1A0000-1A7FFF | SA127 | 1111111 | 3F8000-3FFFFF |

Table 11. S29GL064A (Models R6, R7) Sector Addresses (Sheet 1 of 2)

| Sector | A21-A15 | 16-bit Address Range | Sector | A21-A15 | 16-bit Address Range |
|--------|---------|----------------------|--------|---------|----------------------|
| SA0 | 0000000 | 000000-007FFF | SA21 | 0010101 | 0A8000-0AFFFF |
| SA1 | 0000001 | 008000-00FFFF | SA22 | 0010110 | 0B0000-0B7FFF |
| SA2 | 0000010 | 010000-017FFF | SA23 | 0010111 | 0B8000-0BFFFF |
| SA3 | 0000011 | 018000-01FFFF | SA24 | 0011000 | 0C0000-0C7FFF |
| SA4 | 0000100 | 020000-027FFF | SA25 | 0011001 | 0C8000-0CFFFF |
| SA5 | 0000101 | 028000-02FFFF | SA26 | 0011010 | 0D0000-0D7FFF |
| SA6 | 0000110 | 030000-037FFF | SA27 | 0011011 | 0D8000-0DFFFF |
| SA7 | 0000111 | 038000-03FFFF | SA28 | 0011100 | 0E0000-0E7FFF |
| SA8 | 0001000 | 040000-047FFF | SA29 | 0011101 | 0E8000-0EFFFF |
| SA9 | 0001001 | 048000-04FFFF | SA30 | 0011110 | 0F0000-0F7FFF |
| SA10 | 0001010 | 050000-057FFF | SA31 | 0011111 | 0F8000-0FFFFF |
| SA11 | 0001011 | 058000-05FFFF | SA32 | 0100000 | 200000-207FFF |
| SA12 | 0001100 | 060000-067FFF | SA33 | 0100001 | 208000-20FFFF |
| SA13 | 0001101 | 068000-06FFFF | SA34 | 0100010 | 210000-217FFF |
| SA14 | 0001110 | 070000-077FFF | SA35 | 0100011 | 218000-21FFFF |
| SA15 | 0001111 | 078000-07FFFF | SA36 | 0100100 | 220000-227FFF |
| SA16 | 0010000 | 080000-087FFF | SA37 | 0100101 | 228000-22FFFF |
| SA17 | 0010001 | 088000-08FFFF | SA38 | 0100110 | 230000-237FFF |
| SA18 | 0010010 | 090000-097FFF | SA39 | 0100111 | 238000-23FFFF |
| SA19 | 0010011 | 098000-09FFFF | SA40 | 0101000 | 240000-247FFF |
| SA20 | 0010100 | 0A0000-0A7FFF | SA41 | 0101001 | 248000-24FFFF |

Table II. S29GL064A (Models R6, R7) Sector Addresses (Sheet 2 of 2)

| Sector | A21–A15 | 16-bit Address Range | Sector | A21–A15 | 16-bit Address Range |
|--------|---------|----------------------|--------|---------|----------------------|
| SA42 | 0101010 | 250000–257FFF | SA85 | 1010101 | 1A8000–1AFFFF |
| SA43 | 0101011 | 258000–25FFFF | SA86 | 1010110 | 1B0000–1B7FFF |
| SA44 | 0101100 | 260000–267FFF | SA87 | 1010111 | 1B8000–1BFFFF |
| SA45 | 0101101 | 268000–26FFFF | SA88 | 1011000 | 1C0000–1C7FFF |
| SA46 | 0101110 | 270000–277FFF | SA89 | 1011001 | 1C8000–1CFFFF |
| SA47 | 0101111 | 278000–27FFFF | SA90 | 1011010 | 1D0000–1D7FFF |
| SA48 | 0110000 | 280000–287FFF | SA91 | 1011011 | 1D8000–1DFFFF |
| SA49 | 0110001 | 288000–28FFFF | SA92 | 1011100 | 1E0000–1E7FFF |
| SA50 | 0110010 | 290000–297FFF | SA93 | 1011101 | 1E8000–1EFFFF |
| SA51 | 0110011 | 298000–29FFFF | SA94 | 1011110 | 1F0000–1F7FFF |
| SA52 | 0110100 | 2A0000–2A7FFF | SA95 | 1011111 | 1F8000–1FFFFF |
| SA53 | 0110101 | 2A8000–2AFFFF | SA96 | 1100000 | 300000–307FFF |
| SA54 | 0110110 | 2B0000–2B7FFF | SA97 | 1100001 | 308000–30FFFF |
| SA55 | 0110111 | 2B8000–2BFFFF | SA98 | 1100010 | 310000–317FFF |
| SA56 | 0111000 | 2C0000–2C7FFF | SA99 | 1100011 | 318000–31FFFF |
| SA57 | 0111001 | 2C8000–2CFFFF | SA100 | 1100100 | 320000–327FFF |
| SA58 | 0111010 | 2D0000–2D7FFF | SA101 | 1100101 | 328000–32FFFF |
| SA59 | 0111011 | 2D8000–2DFFFF | SA102 | 1100110 | 330000–337FFF |
| SA60 | 0111100 | 2E0000–2E7FFF | SA103 | 1100111 | 338000–33FFFF |
| SA61 | 0111101 | 2E8000–2EFFFF | SA104 | 1101000 | 340000–347FFF |
| SA62 | 0111110 | 2F0000–2F7FFF | SA105 | 1101001 | 348000–34FFFF |
| SA63 | 0111111 | 2F8000–2FFFFF | SA106 | 1101010 | 350000–357FFF |
| SA64 | 1000000 | 100000–107FFF | SA107 | 1101011 | 358000–35FFFF |
| SA65 | 1000001 | 108000–10FFFF | SA108 | 1101100 | 360000–367FFF |
| SA66 | 1000010 | 110000–117FFF | SA109 | 1101101 | 368000–36FFFF |
| SA67 | 1000011 | 118000–11FFFF | SA110 | 1101110 | 370000–377FFF |
| SA68 | 1000100 | 120000–127FFF | SA111 | 1101111 | 378000–37FFFF |
| SA69 | 1000101 | 128000–12FFFF | SA112 | 1110000 | 380000–387FFF |
| SA70 | 1000110 | 130000–137FFF | SA113 | 1110001 | 388000–38FFFF |
| SA71 | 1000111 | 138000–13FFFF | SA114 | 1110010 | 390000–397FFF |
| SA72 | 1001000 | 140000–147FFF | SA115 | 1110011 | 398000–39FFFF |
| SA73 | 1001001 | 148000–14FFFF | SA116 | 1110100 | 3A0000–3A7FFF |
| SA74 | 1001010 | 150000–157FFF | SA117 | 1110101 | 3A8000–3AFFFF |
| SA75 | 1001011 | 158000–15FFFF | SA118 | 1110110 | 3B0000–3B7FFF |
| SA76 | 1001100 | 160000–167FFF | SA119 | 1110111 | 3B8000–3BFFFF |
| SA77 | 1001101 | 168000–16FFFF | SA120 | 1111000 | 3C0000–3C7FFF |
| SA78 | 1001110 | 170000–177FFF | SA121 | 1111001 | 3C8000–3CFFFF |
| SA79 | 1001111 | 178000–17FFFF | SA122 | 1111010 | 3D0000–3D7FFF |
| SA80 | 1010000 | 180000–187FFF | SA123 | 1111011 | 3D8000–3DFFFF |
| SA81 | 1010001 | 188000–18FFFF | SA124 | 1111100 | 3E0000–3E7FFF |
| SA82 | 1010010 | 190000–197FFF | SA125 | 1111101 | 3E8000–3EFFFF |
| SA83 | 1010011 | 198000–19FFFF | SA126 | 1111110 | 3F0000–3F7FFF |
| SA84 | 1010100 | 1A0000–1A7FFF | SA127 | 1111111 | 3F8000–3FFFFF |

Autoselect Mode

The autoselect mode provides manufacturer and device identification, and sector group protection verification, through identifier codes output on DQ7–DQ0. This mode is primarily intended for programming equipment to automatically match a device to be programmed with its corresponding programming algorithm. However, the autoselect codes can also be accessed in-system through the command register.

When using programming equipment, the autoselect mode requires V_{ID} on address pin A9. Address pins A6, A3, A2, A1, and A0 must be as shown in [Table 12](#). In addition, when verifying sector protection, the sector address must appear on the appropriate highest order address bits (see [Table 4–Table 20](#)). [Table 12](#) shows the remaining address bits that are don't care. When all necessary bits have been set as required, the programming equipment may then read the corresponding identifier code on DQ7–DQ0.

To access the autoselect codes in-system, the host system can issue the autoselect command via the command register, as shown in [Table 25](#) and [Table 26](#). This

method does not require V_{ID} . Refer to the Autoselect Command Sequence section for more information.

Table I2. Autoselect Codes, (High Voltage Method)

| Description | CE# | OE# | WE# | A22 to A15 | A14 to A10 | A9 | A8 to A7 | A6 | A5 to A4 | A3 to A2 | A1 | A0 | DQ8 to DQ15 | | DQ7 to DQ0 | | |
|---|-----|-----|-----|------------|------------|----------|----------|----|----------|----------|----|----|------------------|------------------|---|---|------------|
| | | | | | | | | | | | | | BYTE# = V_{IH} | BYTE# = V_{IL} | Model Number | | |
| | | | | | | | | | | | | | | | R1, R2, R8, R9 | R3, R4 | R5, R6, R7 |
| Manufacturer ID: Spansion Products | L | L | H | X | X | V_{ID} | X | L | X | L | L | L | 00 | X | 01h | 01h | 01h |
| S29GL064A | L | L | H | X | X | V_{ID} | X | L | X | L | L | H | 22 | X | 7Eh | 7Eh | 7Eh |
| | | | | | | | | | | H | H | L | 22 | X | 0Ch | 10h | 13h |
| | | | | | | | | | | H | H | H | 22 | X | 01h | 00h (-R4, bottom boot) 01h (-R3, top boot) | 01h |
| S29GL032M | L | L | H | X | X | V_{ID} | X | L | X | L | L | H | 22 | X | 7Eh | 7Eh | |
| | | | | | | | | | | H | H | L | 22 | X | 1Dh | 1Ah | |
| | | | | | | | | | | H | H | H | 22 | X | 00h (-R4, bottom boot) 01h (-R3, top boot) | | |
| Sector Group Protection Verification | L | L | H | SA | X | V_{ID} | X | L | X | L | H | L | X | X | 01h (protected), 00h (unprotected) | | |
| Secured Silicon Sector Indicator Bit (DQ7), WP# protects highest address sector | L | L | H | X | X | V_{ID} | X | L | X | L | H | H | X | X | 98h (factory locked), 18h (not factory locked) | | |
| Secured Silicon Sector Indicator Bit (DQ7), WP# protects lowest address sector | L | L | H | X | X | V_{ID} | X | L | X | L | H | H | X | X | 88h (factory locked), 08h (not factory locked) | | |

Legend: L = Logic Low = V_{IL} , H = Logic High = V_{IH} , SA = Sector Address, X = Don't care.

Sector Group Protection and Unprotection

The hardware sector group protection feature disables both program and erase operations in any sector group (see [Table 11-Table 20](#)). The hardware sector group unprotection feature re-enables both program and erase operations in previously protected sector groups. Sector group protection/unprotection can be implemented via two methods.

Sector protection/unprotection requires V_{ID} on the RESET# pin only, and can be implemented either in-system or via programming equipment. [Figure 2](#) shows the algorithms and [Figure 24](#) shows the timing diagram. This method uses standard microprocessor bus cycle timing. For sector group unprotect, all unprotected sector groups must first be protected prior to the first sector group unprotect write cycle.

The device is shipped with all sector groups unprotected. Spansion offers the option of programming and protecting sector groups at its factory prior to shipping the device through Spansion Programming Service. Contact a Spansion representative for details.

It is possible to determine whether a sector group is protected or unprotected. See the [Autoselect Mode](#) section for details.

Table I3. S29GL032A (Models RI, R2) Sector Group Protection/Unprotection Addresses

| Sector Group | A20-A15 | Sector Group | A20-A15 | Sector Group | A20-A15 | Sector Group | A20-A15 |
|--------------|---------|--------------|---------|--------------|---------|--------------|---------|
| SA0 | 000000 | SA12-SA15 | 0011xx | SA36-SA39 | 1001xx | SA56-SA59 | 1110xx |
| SA1 | 000001 | SA16-SA19 | 0100xx | SA40-SA43 | 1010xx | SA60 | 111100 |
| SA2 | 000010 | SA20-SA23 | 0101xx | SA44-SA47 | 1011xx | SA61 | 111101 |
| SA3 | 000011 | SA24-SA27 | 0110xx | SA48-SA51 | 1100xx | SA62 | 111110 |
| SA4-SA7 | 0001xx | SA28-SA31 | 0111xx | SA52-SA55 | 1101xx | SA63 | 111111 |
| SA8-SA11 | 0010xx | SA32-SA35 | 1000xx | | | | |

Table I4. S29GL032A (Models R3) Sector Group Protection/Unprotection Address Table

| Sector | A20-A12 | Sector/Sector Block Size (Kbytes) | Sector | A20-A12 | Sector/Sector Block Size (Kbytes) | Sector | A20-A12 | Sector/Sector Block Size (Kbytes) |
|-----------|------------|-----------------------------------|-----------|------------|-----------------------------------|--------|------------|-----------------------------------|
| SA0-SA3 | 0000XXXXXh | 256 (4x64) | SA36-SA39 | 1001XXXXXh | 256 (4x64) | SA63 | 111111000h | 8 |
| SA4-SA7 | 0001XXXXXh | 256 (4x64) | SA40-SA43 | 1010XXXXXh | 256 (4x64) | SA64 | 111111001h | 8 |
| SA8-SA11 | 0010XXXXXh | 256 (4x64) | SA44-SA47 | 1011XXXXXh | 256 (4x64) | SA65 | 111111010h | 8 |
| SA12-SA15 | 0011XXXXXh | 256 (4x64) | SA48-SA51 | 1100XXXXXh | 256 (4x64) | SA66 | 111111011h | 8 |
| SA16-SA19 | 0100XXXXXh | 256 (4x64) | SA52-SA55 | 1101XXXXXh | 256 (4x64) | SA67 | 111111100h | 8 |
| SA20-SA23 | 0101XXXXXh | 256 (4x64) | SA56-SA59 | 1110XXXXXh | 256 (4x64) | SA68 | 111111101h | 8 |
| SA24-SA27 | 0110XXXXXh | 256 (4x64) | SA60-SA62 | 111100XXXh | 192 (3x64) | SA69 | 111111110h | 8 |
| SA28-SA31 | 0111XXXXXh | 256 (4x64) | | 111101XXXh | | SA70 | 111111111h | 8 |
| SA32-SA35 | 1000XXXXXh | 256 (4x64) | | 111110XXXh | | | | |

Table I5. S29GL032A (Models R4) Sector Group Protection/Unprotection Address Table

| Sector | A20-A12 | Sector/Sector Block Size (Kbytes) | Sector | A20-A12 | Sector/Sector Block Size (Kbytes) | Sector | A20-A12 | Sector/Sector Block Size (Kbytes) |
|--------|------------|-----------------------------------|-----------|------------|-----------------------------------|-----------|------------|-----------------------------------|
| SA0 | 000000000h | 8 | SA8-SA10 | 000001XXXh | 192 (3x64) | SA35-SA38 | 0111XXXXXh | 256 (4x64) |
| SA1 | 000000001h | 8 | | 000010XXXh | | SA39-SA42 | 1000XXXXXh | 256 (4x64) |
| SA2 | 000000010h | 8 | | 000011XXXh | | SA43-SA46 | 1001XXXXXh | 256 (4x64) |
| SA3 | 000000011h | 8 | SA11-SA14 | 0001XXXXXh | 256 (4x64) | SA47-SA50 | 1010XXXXXh | 256 (4x64) |
| SA4 | 000000100h | 8 | SA15-SA18 | 0010XXXXXh | 256 (4x64) | SA51-SA54 | 1011XXXXXh | 256 (4x64) |
| SA5 | 000000101h | 8 | SA19-SA22 | 0011XXXXXh | 256 (4x64) | SA55-SA58 | 1100XXXXXh | 256 (4x64) |
| SA6 | 000000110h | 8 | SA23-SA26 | 0100XXXXXh | 256 (4x64) | SA59-SA62 | 1101XXXXXh | 256 (4x64) |
| SA7 | 000000111h | 8 | SA27-SA30 | 0101XXXXXh | 256 (4x64) | SA63-SA66 | 1110XXXXXh | 256 (4x64) |
| | | | SA31-SA34 | 0110XXXXXh | 256 (4x64) | SA67-SA70 | 1111XXXXXh | 256 (4x64) |

Table I6. S29GL064A (Models RI, R2, R8, R9) Sector Group Protection/Unprotection Addresses

| Sector Group | A21-A15 | Sector Group | A21-A15 | Sector Group | A21-A15 | Sector Group | A21-A15 |
|--------------|---------|--------------|---------|--------------|---------|--------------|---------|
| SA0 | 0000000 | SA28-SA31 | 00111xx | SA68-SA71 | 10001xx | SA108-SA111 | 11011xx |
| SA1 | 0000001 | SA32-SA35 | 01000xx | SA72-SA75 | 10010xx | SA112-SA115 | 11100xx |
| SA2 | 0000010 | SA36-SA39 | 01001xx | SA76-SA79 | 10011xx | SA116-SA119 | 11101xx |
| SA3 | 0000011 | SA40-SA43 | 01010xx | SA80-SA83 | 10100xx | SA120-SA123 | 11110xx |
| SA4-SA7 | 00001xx | SA44-SA47 | 01011xx | SA84-SA87 | 10101xx | SA124 | 1111100 |
| SA8-SA11 | 00010xx | SA48-SA51 | 01100xx | SA88-SA91 | 10110xx | SA125 | 1111101 |
| SA12-SA15 | 00011xx | SA52-SA55 | 01101xx | SA92-SA95 | 10111xx | SA126 | 1111110 |
| SA16-SA19 | 00100xx | SA56-SA59 | 01110xx | SA96-SA99 | 11000xx | SA127 | 1111111 |
| SA20-SA23 | 00101xx | SA60-SA63 | 01111xx | SA100-SA103 | 11001xx | | |
| SA24-SA27 | 00110xx | SA64-SA67 | 10000xx | SA104-SA107 | 11010xx | | |

Table 17. S29GL064A (Model R3) Top Boot Sector Protection/Unprotection Addresses

| Sector | A21–A12 | Sector/Sector Block Size (Kbytes) | Sector | A20–A12 | Sector/Sector Block Size (Kbytes) | Sector | A20–A12 | Sector/Sector Block Size (Kbytes) |
|-----------|------------|-----------------------------------|-------------|------------|-----------------------------------|-------------|--|-----------------------------------|
| SA0-SA3 | 00000XXXXX | 256 (4x64) | SA56-SA59 | 01110XXXXX | 256 (4x64) | SA112-SA115 | 11100XXXXX | 256 (4x64) |
| SA4-SA7 | 00001XXXXX | 256 (4x64) | SA60-SA63 | 01111XXXXX | 256 (4x64) | SA116-SA119 | 11101XXXXX | 256 (4x64) |
| SA8-SA11 | 00010XXXXX | 256 (4x64) | SA64-SA67 | 10000XXXXX | 256 (4x64) | SA120-SA123 | 11110XXXXX | 256 (4x64) |
| SA12-SA15 | 00011XXXXX | 256 (4x64) | SA68-SA71 | 10001XXXXX | 256 (4x64) | SA124-SA126 | 1111100XXX 1111101XXX 1111110XXX | 192 (3x64) |
| SA16-SA19 | 00100XXXXX | 256 (4x64) | SA72-SA75 | 10010XXXXX | 256 (4x64) | SA127 | 1111111000 | 8 |
| SA20-SA23 | 00101XXXXX | 256 (4x64) | SA76-SA79 | 10011XXXXX | 256 (4x64) | SA128 | 1111111001 | 8 |
| SA24-SA27 | 00110XXXXX | 256 (4x64) | SA80-SA83 | 10100XXXXX | 256 (4x64) | SA129 | 1111111010 | 8 |
| SA28-SA31 | 00111XXXXX | 256 (4x64) | SA84-SA87 | 10101XXXXX | 256 (4x64) | SA130 | 1111111011 | 8 |
| SA32-SA35 | 01000XXXXX | 256 (4x64) | SA88-SA91 | 10110XXXXX | 256 (4x64) | SA131 | 1111111100 | 8 |
| SA36-SA39 | 01001XXXXX | 256 (4x64) | SA92-SA95 | 10111XXXXX | 256 (4x64) | SA132 | 1111111101 | 8 |
| SA40-SA43 | 01010XXXXX | 256 (4x64) | SA96-SA99 | 11000XXXXX | 256 (4x64) | SA133 | 1111111110 | 8 |
| SA44-SA47 | 01011XXXXX | 256 (4x64) | SA100-SA103 | 11001XXXXX | 256 (4x64) | SA134 | 1111111111 | 8 |
| SA48-SA51 | 01100XXXXX | 256 (4x64) | SA104-SA107 | 11010XXXXX | 256 (4x64) | | | |
| SA52-SA55 | 01101XXXXX | 256 (4x64) | SA108-SA111 | 11011XXXXX | 256 (4x64) | | | |

Table 18. S29GL064A (Model R4) Bottom Boot Sector Protection/Unprotection Addresses

| Sector | A21–A12 | Sector/Sector Block Size (Kbytes) | Sector | A20–A12 | Sector/Sector Block Size (Kbytes) | Sector | A20–A12 | Sector/Sector Block Size (Kbytes) |
|-----------|---|-----------------------------------|-----------|------------|-----------------------------------|-------------|------------|-----------------------------------|
| SA0 | 0000000000 | 8 | SA31-SA34 | 00110XXXXX | 256 (4x64) | SA87-SA90 | 10100XXXXX | 256 (4x64) |
| SA1 | 0000000001 | 8 | SA35-SA38 | 00111XXXXX | 256 (4x64) | SA91-SA94 | 10101XXXXX | 256 (4x64) |
| SA2 | 0000000010 | 8 | SA39-SA42 | 01000XXXXX | 256 (4x64) | SA95-SA98 | 10110XXXXX | 256 (4x64) |
| SA3 | 0000000011 | 8 | SA43-SA46 | 01001XXXXX | 256 (4x64) | SA99-SA102 | 10111XXXXX | 256 (4x64) |
| SA4 | 0000000100 | 8 | SA47-SA50 | 01010XXXXX | 256 (4x64) | SA103-SA106 | 11000XXXXX | 256 (4x64) |
| SA5 | 0000000101 | 8 | SA51-SA54 | 01011XXXXX | 256 (4x64) | SA107-SA110 | 11001XXXXX | 256 (4x64) |
| SA6 | 0000000110 | 8 | SA55-SA58 | 01100XXXXX | 256 (4x64) | SA111-SA114 | 11010XXXXX | 256 (4x64) |
| SA7 | 0000000111 | 8 | SA59-SA62 | 01101XXXXX | 256 (4x64) | SA115-SA118 | 11011XXXXX | 256 (4x64) |
| SA8-SA10 | 000001XXXX, 0000010XXX, 0000011XXX, | 192 (3x64) | SA63-SA66 | 01110XXXXX | 256 (4x64) | SA119-SA122 | 11100XXXXX | 256 (4x64) |
| SA11-SA14 | 00001XXXXX | 256 (4x64) | SA67-SA70 | 01111XXXXX | 256 (4x64) | SA123-SA126 | 11101XXXXX | 256 (4x64) |
| SA15-SA18 | 00010XXXXX | 256 (4x64) | SA71-SA74 | 10000XXXXX | 256 (4x64) | SA127-SA130 | 11110XXXXX | 256 (4x64) |
| SA19-SA22 | 00011XXXXX | 256 (4x64) | SA75-SA78 | 10001XXXXX | 256 (4x64) | SA131-SA134 | 11111XXXXX | 256 (4x64) |
| SA23-SA26 | 00100XXXXX | 256 (4x64) | SA79-SA82 | 10010XXXXX | 256 (4x64) | | | |
| SA27-SA30 | 00101XXXXX | 256 (4x64) | SA83-SA86 | 10011XXXXX | 256 (4x64) | | | |

Table 19. S29GL064A (Model R5) Sector Group Protection/Unprotection Addresses

| Sector Group | A21–A15 | Sector Group | A21–A15 | Sector Group | A21–A15 | Sector Group | A21–A15 |
|--------------|---------|--------------|---------|--------------|---------|--------------|---------|
| SA0-SA3 | 00000 | SA32-SA35 | 01000 | SA64-SA67 | 10000 | SA96-SA99 | 11000 |
| SA4-SA7 | 00001 | SA36-SA39 | 01001 | SA68-SA71 | 10001 | SA100-SA103 | 11001 |
| SA8-SA11 | 00010 | SA40-SA43 | 01010 | SA72-SA75 | 10010 | SA104-SA107 | 11010 |
| SA12-SA15 | 00011 | SA44-SA47 | 01011 | SA76-SA79 | 10011 | SA108-SA111 | 11011 |
| SA16-SA19 | 00100 | SA48-SA51 | 01100 | SA80-SA83 | 10100 | SA112-SA115 | 11100 |
| SA20-SA23 | 00101 | SA52-SA55 | 01101 | SA84-SA87 | 10101 | SA116-SA119 | 11101 |
| SA24-SA27 | 00110 | SA56-SA59 | 01110 | SA88-SA91 | 10110 | SA120-SA123 | 11110 |
| SA28-SA31 | 00111 | SA60-SA63 | 01111 | SA92-SA95 | 10111 | SA124-SA127 | 11111 |

Note: All sector groups are 128 Kwords in size.

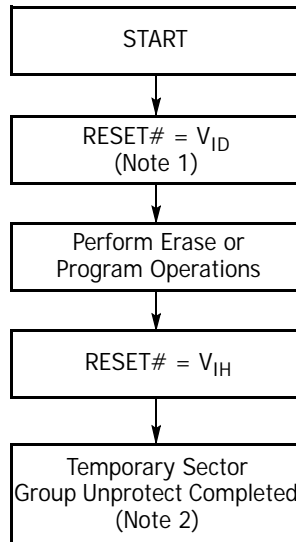
Table 20. S29GL064A (Models R6, R7) Sector Group Protection/Unprotection Addresses

| Sector Group | A21–A15 | Sector Group | A21–A15 | Sector Group | A21–A15 | Sector Group | A21–A15 |
|--------------|---------|--------------|---------|--------------|---------|--------------|---------|
| SA0-SA3 | 00000 | SA32-SA35 | 01000 | SA64-SA67 | 10000 | SA96-SA99 | 11000 |
| SA4-SA7 | 00001 | SA36-SA39 | 01001 | SA68-SA71 | 10001 | SA100-SA103 | 11001 |
| SA8-SA11 | 00010 | SA40-SA43 | 01010 | SA72-SA75 | 10010 | SA104-SA107 | 11010 |
| SA12-SA15 | 00011 | SA44-SA47 | 01011 | SA76-SA79 | 10011 | SA108-SA111 | 11011 |
| SA16-SA19 | 00100 | SA48-SA51 | 01100 | SA80-SA83 | 10100 | SA112-SA115 | 11100 |
| SA20-SA23 | 00101 | SA52-SA55 | 01101 | SA84-SA87 | 10101 | SA116-SA119 | 11101 |
| SA24-SA27 | 00110 | SA56-SA59 | 01110 | SA88-SA91 | 10110 | SA120-SA123 | 11110 |
| SA28-SA31 | 00111 | SA60-SA63 | 01111 | SA92-SA95 | 10111 | SA124-SA127 | 11111 |

Note: All sector groups are 128 Kwords in size.

Temporary Sector Group Unprotect

This feature allows temporary unprotection of previously protected sector groups to change data in-system. The Sector Group Unprotect mode is activated by setting the RESET# pin to V_{ID} . During this mode, formerly protected sector groups can be programmed or erased by selecting the sector group addresses. Once V_{ID} is removed from the RESET# pin, all the previously protected sector groups are protected again. Figure 1 shows the algorithm, and Figure 22 shows the timing diagrams, for this feature.



Notes:

1. All protected sector groups unprotected (If $WP\# = V_{IL}$, the highest or lowest address sector will remain protected for uniform sector devices; the top or bottom two address sectors will remain protected for boot sector devices).
2. All previously protected sector groups are protected once again.

Figure 1. Temporary Sector Group Unprotect Operation

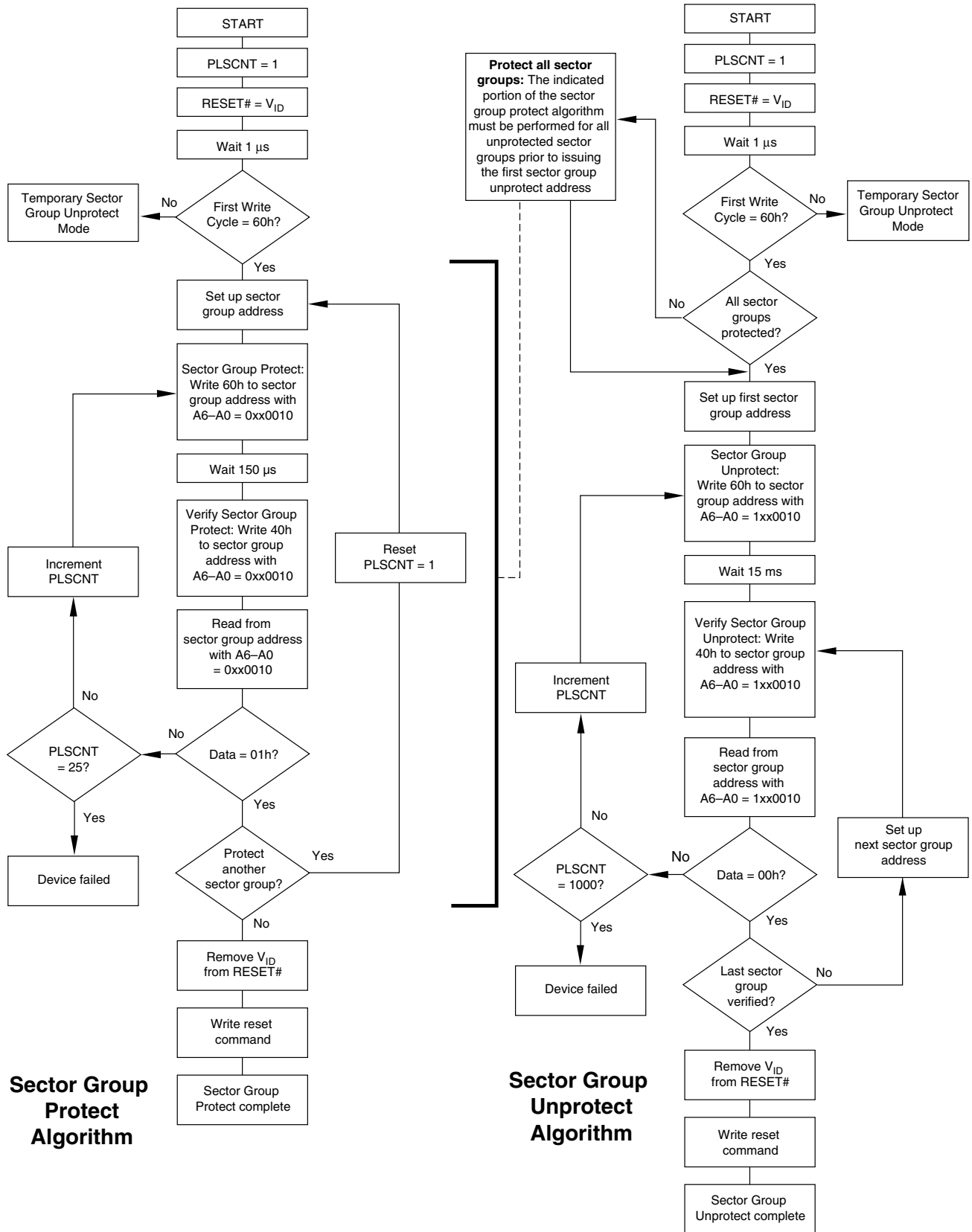


Figure 2. In-System Sector Group Protect/Unprotect Algorithms

Secured Silicon Sector Flash Memory Region

The Secured Silicon Sector feature provides a Flash memory region that enables permanent part identification through an Electronic Serial Number (ESN). The Secured Silicon Sector is 256 bytes in length, and uses a Secured Silicon Sector Indicator Bit (DQ7) to indicate whether or not the Secured Silicon Sector is locked when shipped from the factory. This bit is permanently set at the factory and cannot be changed, which prevents cloning of a factory locked part. This ensures the security of the ESN once the product is shipped to the field.

The factory offers the device with the Secured Silicon Sector either customer lockable (standard shipping option) or factory locked (contact a Spansion sales representative for ordering information). The customer-lockable version is shipped with the Secured Silicon Sector unprotected, allowing customers to program the sector after receiving the device. The customer-lockable version also has the Secured Silicon Sector Indicator Bit permanently set to a "0." The factory-locked version is always protected when shipped from the factory, and has the Secured Silicon Sector Indicator Bit permanently set to a "1." Thus, the Secured Silicon Sector Indicator Bit prevents customer-lockable devices from being used to replace devices that are factory locked. *Note that the ACC function and unlock bypass modes are not available when the Secured Silicon Sector is enabled.*

The Secured Silicon sector address space in this device is allocated as follows:

| Secured Silicon Sector Address Range | | | | |
|--------------------------------------|-----------------|-------------------------|-------------------------------|------------------------|
| x16 | x8 | Standard Factory Locked | ExpressFlash Factory Locked | Customer Lockable |
| 000000h-000007h | 000000h-00000Fh | ESN | ESN or determined by customer | Determined by customer |
| 000008h-00007Fh | 000010h-0000FFh | Unavailable | Determined by customer | |

The system accesses the Secured Silicon Sector through a command sequence (see "Write Protect (WP#)"). After the system has written the Enter Secured Silicon Sector command sequence, it may read the Secured Silicon Sector by using the addresses normally occupied by the first sector (SA0). This mode of operation continues until the system issues the Exit Secured Silicon Sector command sequence, or until power is removed from the device. On power-up, or following a hardware reset, the device reverts to sending commands to sector SA0.

Customer Lockable: Secured Silicon Sector NOT Programmed or Protected At the Factory

Unless otherwise specified, the device is shipped such that the customer may program and protect the 256-byte Secured Silicon sector.

The system may program the Secured Silicon Sector using the write-buffer, accelerated and/or unlock bypass methods, in addition to the standard programming command sequence. See "Command Definitions" .

Programming and protecting the Secured Silicon Sector must be used with caution since, once protected, there is no procedure available for unprotecting the Secured Silicon Sector area and none of the bits in the Secured Silicon Sector memory space can be modified in any way.

The Secured Silicon Sector area can be protected using one of the following procedures:

- Write the three-cycle Enter Secured Silicon Sector Region command sequence, and then follow the in-system sector protect algorithm as shown in

Figure 2, except that $RESET\#$ may be at either V_{IH} or V_{ID} . This allows in-system protection of the Secured Silicon Sector without raising any device pin to a high voltage. Note that this method is only applicable to the Secured Silicon Sector.

- Write the three-cycle Enter Secured Silicon Sector Region command sequence, and then use the alternate method of sector protection described in the “Sector Group Protection and Unprotection” section.

Once the Secured Silicon Sector is programmed, locked and verified, the system must write the Exit Secured Silicon Sector Region command sequence to return to reading and writing within the remainder of the array.

Factory Locked: Secured Silicon Sector Programmed and Protected At the Factory

In devices with an ESN, the Secured Silicon Sector is protected when the device is shipped from the factory. The Secured Silicon Sector cannot be modified in any way. An ESN Factory Locked device has an 16-byte random ESN at addresses 000000h–000007h. Please contact your sales representative for details on ordering ESN Factory Locked devices.

Customers may opt to have their code programmed by the factory through the Spansion programming service (Customer Factory Locked). The devices are then shipped from the factory with the Secured Silicon Sector permanently locked. Contact your sales representative for details on using the Spansion programming service.

Write Protect (WP#)

The Write Protect function provides a hardware method of protecting the first or last sector group without using V_{ID} . Write Protect is one of two functions provided by the WP#/ACC input.

If the system asserts V_{IL} on the WP#/ACC pin, the device disables program and erase functions in the first or last sector group independently of whether those sector groups were protected or unprotected. Note that if WP#/ACC is at V_{IL} when the device is in the standby mode, the maximum input load current is increased. See the table in “DC Characteristics” section on page 65.

If the system asserts V_{IH} on the WP#/ACC pin, the device reverts to whether the first or last sector was previously set to be protected or unprotected using the method described in “Sector Group Protection and Unprotection”. Note that WP# has an internal pullup; when unconnected, WP# is at V_{IH} .

Hardware Data Protection

The command sequence requirement of unlock cycles for programming or erasing provides data protection against inadvertent writes (refer to Table 25 and Table 26 for command definitions). In addition, the following hardware data protection measures prevent accidental erasure or programming, which might otherwise be caused by spurious system level signals during V_{CC} power-up and power-down transitions, or from system noise.

Low V_{CC} Write Inhibit

When V_{CC} is less than V_{LKO} , the device does not accept any write cycles. This protects data during V_{CC} power-up and power-down. The command register and all internal program/erase circuits are disabled, and the device resets to the read

mode. Subsequent writes are ignored until V_{CC} is greater than V_{LKO} . The system must provide the proper signals to the control pins to prevent unintentional writes when V_{CC} is greater than V_{LKO} .

Write Pulse “Glitch” Protection

Noise pulses of less than 3 ns (typical) on OE#, CE# or WE# do not initiate a write cycle.

Logical Inhibit

Write cycles are inhibited by holding any one of OE# = V_{IL} , CE# = V_{IH} or WE# = V_{IH} . To initiate a write cycle, CE# and WE# must be a logical zero while OE# is a logical one.

Power-Up Write Inhibit

If WE# = CE# = V_{IL} and OE# = V_{IH} during power up, the device does not accept commands on the rising edge of WE#. The internal state machine is automatically reset to the read mode on power-up.

Common Flash Memory Interface (CFI)

The Common Flash Interface (CFI) specification outlines device and host system software interrogation handshake, which allows specific vendor-specified software algorithms to be used for entire families of devices. Software support can then be device-independent, JEDEC ID-independent, and forward- and backward-compatible for the specified flash device families. Flash vendors can standardize their existing interfaces for long-term compatibility.

This device enters the CFI Query mode when the system writes the CFI Query command, 98h, to address 55h, any time the device is ready to read array data. The system can read CFI information at the addresses given in [Table 21-Table 24](#). To terminate reading CFI data, the system must write the reset command.

The system can also write the CFI query command when the device is in the autoselect mode. The device enters the CFI query mode, and the system can read CFI data at the addresses given in [Table 21-Table 24](#). The system must write the reset command to return the device to reading array data.

For further information, please refer to the CFI Specification and CFI Publication 100. Alternatively, contact your sales representative for copies of these documents.

Table 21. CFI Query Identification String

| Addresses (x16) | Addresses (x8) | Data | Description |
|-------------------|-------------------|-------------------------|--|
| 10h 11h 12h | 20h 22h 24h | 0051h 0052h 0059h | Query Unique ASCII string "QRY" |
| 13h 14h | 26h 28h | 0002h 0000h | Primary OEM Command Set |
| 15h 16h | 2Ah 2Ch | 0040h 0000h | Address for Primary Extended Table |
| 17h 18h | 2Eh 30h | 0000h 0000h | Alternate OEM Command Set (00h = none exists) |
| 19h 1Ah | 32h 34h | 0000h 0000h | Address for Alternate OEM Extended Table (00h = none exists) |

Table 22. System Interface String

| Addresses (x16) | Addresses (x8) | Data | Description |
|-----------------|----------------|-------|---|
| 1Bh | 36h | 0027h | V _{CC} Min. (write/erase) D7–D4: volt, D3–D0: 100 millivolt |
| 1Ch | 38h | 0036h | V _{CC} Max. (write/erase) D7–D4: volt, D3–D0: 100 millivolt |
| 1Dh | 3Ah | 0000h | V _{PP} Min. voltage (00h = no V _{PP} pin present) |
| 1Eh | 3Ch | 0000h | V _{PP} Max. voltage (00h = no V _{PP} pin present) |
| 1Fh | 3Eh | 0007h | Reserved for future use |
| 20h | 40h | 0007h | Typical timeout for Min. size buffer write 2 ⁿ μs (00h = not supported) |
| 21h | 42h | 000Ah | Typical timeout per individual block erase 2 ⁿ ms |
| 22h | 44h | 0000h | Typical timeout for full chip erase 2 ⁿ ms (00h = not supported) |
| 23h | 46h | 0001h | Reserved for future use |
| 24h | 48h | 0005h | Max. timeout for buffer write 2 ⁿ times typical |
| 25h | 4Ah | 0004h | Max. timeout per individual block erase 2 ⁿ times typical |
| 26h | 4Ch | 0000h | Max. timeout for full chip erase 2 ⁿ times typical (00h = not supported) |

Note: CFI data related to V_{CC} and time-outs may differ from actual V_{CC} and time-outs of the product. Please consult the Ordering Information tables to obtain the V_{CC} range for particular part numbers. Please consult the Erase and Programming Performance table for typical timeout specifications.

Table 23. Device Geometry Definition

| Addresses (x16) | Addresses (x8) | Data | Description |
|--------------------------|--------------------------|----------------------------------|---|
| 27h | 4Eh | 00xxh | Device Size = 2 ^N byte 0017h = 64 Mb, 0016h = 32Mb |
| 28h 29h | 50h 52h | 000xh 0000h | Flash Device Interface description (refer to CFI publication 100) 0000h = x8-only bus devices 0001h = x16-only bus devices 0002h = x8/x16 bus devices |
| 2Ah 2Bh | 54h 56h | 0005h 0000h | Max. number of byte in multi-byte write = 2 ⁿ (00h = not supported) |
| 2Ch | 58h | 00xxh | Number of Erase Block Regions within device (01h = uniform device, 02h = boot device) |
| 2Dh 2Eh 2Fh 30h | 5Ah 5Ch 5Eh 60h | 00xxh 000xh 00x0h 000xh | Erase Block Region 1 Information (refer to the CFI specification or CFI publication 100) 007Fh, 0000h, 0020h, 0000h = 32 Mb (-R1, -R2) 003Fh, 0000h, 0001h = 32 Mb (-R3, R4) 007Fh, 0000h, 0020h, 0000h = 64 Mb (-R1, -R2, -R8, -R9) 007Fh, 0000h, 0000h, 0001h = 64 Mb (-R3, -R4, -R5, -R6, -R7) |
| 31h 32h 33h 34h | 60h 64h 66h 68h | 00xxh 0000h 0000h 000xh | Erase Block Region 2 Information (refer to CFI publication 100) 003Eh, 0000h, 0000h, 0001h = 32 Mb (-R1, -R2) 007Eh, 0000h, 0000h, 0001h = 64 Mb (-R1, -R2, -R8, -R9) 0000h, 0000h, 0000h, 0000h = all others |
| 35h 36h 37h 38h | 6Ah 6Ch 6Eh 70h | 0000h 0000h 0000h 0000h | Erase Block Region 3 Information (refer to CFI publication 100) |
| 39h 3Ah 3Bh 3Ch | 72h 74h 76h 78h | 0000h 0000h 0000h 0000h | Erase Block Region 4 Information (refer to CFI publication 100) |

Table 24. Primary Vendor-Specific Extended Query

| Addresses (x16) | Addresses (x8) | Data | Description |
|-------------------|-------------------|-------------------------|---|
| 40h 41h 42h | 80h 82h 84h | 0050h 0052h 0049h | Query-unique ASCII string "PRI" |
| 43h | 86h | 0031h | Major version number, ASCII |
| 44h | 88h | 0033h | Minor version number, ASCII |
| 45h | 8Ah | 000xh | Address Sensitive Unlock (Bits 1-0) 0 = Required, 1 = Not Required Process Technology (Bits 7-2) 0010b = 200 nm MirrorBit 0009h = x8-only bus devices 0008h = all other devices |
| 46h | 8Ch | 0002h | Erase Suspend 0 = Not Supported, 1 = To Read Only, 2 = To Read & Write |
| 47h | 8Eh | 0001h | Sector Protect 0 = Not Supported, X = Number of sectors in per group |
| 48h | 90h | 0001h | Sector Temporary Unprotect 00 = Not Supported, 01 = Supported |
| 49h | 92h | 0004h | Sector Protect/Unprotect scheme 0004h = Standard Mode (Refer to Text) |
| 4Ah | 94h | 0000h | Simultaneous Operation 00 = Not Supported, X = Number of Sectors in Bank |
| 4Bh | 96h | 0000h | Burst Mode Type 00 = Not Supported, 01 = Supported |
| 4Ch | 98h | 0001h | Page Mode Type 00 = Not Supported, 01 = 4 Word Page, 02 = 8 Word Page |
| 4Dh | 9Ah | 00B5h | ACC (Acceleration) Supply Minimum 00h = Not Supported, D7-D4: Volt, D3-D0: 100 mV |
| 4Eh | 9Ch | 00C5h | ACC (Acceleration) Supply Maximum 00h = Not Supported, D7-D4: Volt, D3-D0: 100 mV |
| 4Fh | 9Eh | 00xxh | Top/Bottom Boot Sector Flag 02h = Bottom Boot Device, 03h = Top Boot Device, 04h = Uniform sectors bottom WP# protect, 05h = Uniform sectors top WP# protect |
| 50h | A0h | 0001h | Program Suspend 00h = Not Supported, 01h = Supported |

Command Definitions

Writing specific address and data commands or sequences into the command register initiates device operations. [Table 25](#) and [Table 26](#) define the valid register command sequences. *Writing incorrect address and data values or writing them in the improper sequence may place the device in an unknown state.* A reset command is then required to return the device to reading array data.

All addresses are latched on the falling edge of WE# or CE#, whichever happens later. All data is latched on the rising edge of WE# or CE#, whichever happens first. Refer to the AC Characteristics section for timing diagrams.

Reading Array Data

The device is automatically set to reading array data after device power-up. No commands are required to retrieve data. The device is ready to read array data after completing an Embedded Program or Embedded Erase algorithm.

After the device accepts an Erase Suspend command, the device enters the erase-suspend-read mode, after which the system can read data from any non-erase-suspended sector. After completing a programming operation in the Erase Suspend mode, the system may once again read array data with the same exception. See the Erase Suspend/Erase Resume Commands section for more information.

The system *must* issue the reset command to return the device to the read (or erase-suspend-read) mode if DQ5 goes high during an active program or erase operation, or if the device is in the autoselect mode. See the next section, Reset Command, for more information.

See also Requirements for Reading Array Data in the Device Bus Operations section for more information. The Read-Only Operations—“[AC Characteristics](#)” section on [page 67](#) provides the read parameters, and [Figure 13](#) shows the timing diagram.

Reset Command

Writing the reset command resets the device to the read or erase-suspend-read mode. Address bits are don't cares for this command.

The reset command may be written between the sequence cycles in an erase command sequence before erasing begins. This resets the device to the read mode. Once erasure begins, however, the device ignores reset commands until the operation is complete.

The reset command may be written between the sequence cycles in a program command sequence before programming begins. This resets the device to the read mode. If the program command sequence is written while the device is in the Erase Suspend mode, writing the reset command returns the device to the erase-suspend-read mode. Once programming begins, however, the device ignores reset commands until the operation is complete.

The reset command may be written between the sequence cycles in an autoselect command sequence. Once in the autoselect mode, the reset command must be written to return to the read mode. If the device entered the autoselect mode while in the Erase Suspend mode, writing the reset command returns the device to the erase-suspend-read mode.

If DQ5 goes high during a program or erase operation, writing the reset command returns the device to the read mode (or erase-suspend-read mode if the device was in Erase Suspend).

Note that if DQ1 goes high during a Write Buffer Programming operation, the system must write the Write-to-Buffer-Abort Reset command sequence to reset the device for the next operation.

Autoselect Command Sequence

The autoselect command sequence allows the host system to read several identifier codes at specific addresses:

| Identifier Code | A7:A0 (x16) | A6:A-1 (x8) |
|--|----------------|----------------|
| Manufacturer ID | 00h | 00h |
| Device ID, Cycle 1 | 01h | 02h |
| Device ID, Cycle 2 | 0Eh | 1Ch |
| Device ID, Cycle 3 | 0Fh | 1Eh |
| Secured Silicon Sector Factory Protect | 03h | 06h |
| Sector Protect Verify | (SA)02h | (SA)04h |

Note: The device ID is read over three cycles. SA = Sector Address

The autoselect command sequence is initiated by first writing two unlock cycles. This is followed by a third write cycle that contains the autoselect command. The device then enters the autoselect mode. The system may read at any address any number of times without initiating another autoselect command sequence:

The system must write the reset command to return to the read mode (or erase-suspend-read mode if the device was previously in Erase Suspend).

Enter Secured Silicon Sector/Exit Secured Silicon Sector Command Sequence

The Secured Silicon Sector region provides a secured data area containing an 8-word/16-byte random Electronic Serial Number (ESN). The system can access the Secured Silicon Sector region by issuing the three-cycle Enter Secured Silicon Sector command sequence. The device continues to access the Secured Silicon Sector region until the system issues the four-cycle Exit Secured Silicon Sector command sequence. The Exit Secured Silicon Sector command sequence returns the device to normal operation. [Table 25](#) and [Table 26](#) show the address and data requirements for both command sequences. See also "Secured Silicon Sector Flash Memory Region" for further information. *Note that the ACC function and unlock bypass modes are not available when the Secured Silicon Sector is enabled.*

Word Program Command Sequence

Programming is a four-bus-cycle operation. The program command sequence is initiated by writing two unlock write cycles, followed by the program set-up command. The program address and data are written next, which in turn initiate the Embedded Program algorithm. The system is not required to provide further controls or timings. The device automatically provides internally generated program pulses and verifies the programmed cell margin. [Table 25](#) and [Table 26](#) show the address and data requirements for the word program command sequence, respectively.

When the Embedded Program algorithm is complete, the device then returns to the read mode and addresses are no longer latched. The system can determine the status of the program operation by using DQ7 or DQ6. Refer to the Write Operation Status section for information on these status bits. Any commands written to the device during the Embedded Program Algorithm are ignored. *Note that the Secured Silicon Sector, autoselect, and CFI functions are unavailable when a program operation is in progress.* Note that a **hardware reset** immediately terminates the program operation. The program command sequence should be reinitiated once the device has returned to the read mode, to ensure data integrity.

Programming is allowed in any sequence of address locations and across sector boundaries. Programming to the same word address multiple times without intervening erases (incremental bit programming) requires a modified programming method. For such application requirements, please contact your local Spansion representative. Word programming is supported for backward compatibility with existing Flash driver software and for occasional writing of individual words. Use of write buffer programming (see below) is strongly recommended for general programming use when more than a few words are to be programmed. The effective word programming time using write buffer programming is approximately four times shorter than the single word programming time.

Any bit in a word cannot be programmed from “0” back to a “1.” Attempting to do so may cause the device to set DQ5=1, or cause DQ7 and DQ6 status bits to indicate the operation was successful. However, a succeeding read will show that the data is still “0.” Only erase operations can convert a “0” to a “1.”

Unlock Bypass Command Sequence

The unlock bypass feature allows the system to program words to the device faster than using the standard program command sequence. The unlock bypass command sequence is initiated by first writing two unlock cycles. This is followed by a third write cycle containing the unlock bypass command, 20h. The device then enters the unlock bypass mode. A two-cycle unlock bypass mode command sequence is all that is required to program in this mode. The first cycle in this sequence contains the unlock bypass program command, A0h; the second cycle contains the program address and data. Additional data is programmed in the same manner. This mode dispenses with the initial two unlock cycles required in the standard program command sequence, resulting in faster total programming time. [Table 25](#) and [Table 26](#) show the requirements for the command sequence.

During the unlock bypass mode, only the Unlock Bypass Program and Unlock Bypass Reset commands are valid. To exit the unlock bypass mode, the system must issue the two-cycle unlock bypass reset command sequence. The first cycle must contain the data 90h. The second cycle must contain the data 00h. The device then returns to the read mode.

Write Buffer Programming

Write Buffer Programming allows the system write to a maximum of 16 words/32 bytes in one programming operation. This results in faster effective programming time than the standard programming algorithms. The Write Buffer Programming command sequence is initiated by first writing two unlock cycles. This is followed by a third write cycle containing the Write Buffer Load command written at the Sector Address in which programming will occur. The fourth cycle writes the sector address and the number of word locations, minus one, to be programmed. For

example, if the system will program 6 unique address locations, then 05h should be written to the device. This tells the device how many write buffer addresses will be loaded with data and therefore when to expect the Program Buffer to Flash command. The number of locations to program cannot exceed the size of the write buffer or the operation will abort.

The fifth cycle writes the first address location and data to be programmed. The write-buffer-page is selected by address bits $A_{MAX}-A_4$. All subsequent address/data pairs must fall within the selected-write-buffer-page. The system then writes the remaining address/data pairs into the write buffer. Write buffer locations may be loaded in any order.

The write-buffer-page address must be the same for all address/data pairs loaded into the write buffer. (This means Write Buffer Programming cannot be performed across multiple write-buffer pages.) This also means that Write Buffer Programming cannot be performed across multiple sectors. If the system attempts to load programming data outside of the selected write-buffer page, the operation will abort.

Note that if a Write Buffer address location is loaded multiple times, the address/data pair counter will be decremented for every data load operation. The host system must therefore account for loading a write-buffer location more than once. The counter decrements for each data load operation, not for each unique write-buffer-address location. Note also that if an address location is loaded more than once into the buffer, the final data loaded for that address will be programmed.

Once the specified number of write buffer locations have been loaded, the system must then write the Program Buffer to Flash command at the sector address. Any other address and data combination aborts the Write Buffer Programming operation. The device then begins programming. Data polling should be used while monitoring the last address location loaded into the write buffer. DQ7, DQ6, DQ5, and DQ1 should be monitored to determine the device status during Write Buffer Programming.

The write-buffer programming operation can be suspended using the standard program suspend/resume commands. Upon successful completion of the Write Buffer Programming operation, the device is ready to execute the next command.

The Write Buffer Programming Sequence can be aborted in the following ways:

- Load a value that is greater than the page buffer size during the Number of Locations to Program step.
- Write to an address in a sector different than the one specified during the Write-Buffer-Load command.
- Write an Address/Data pair to a different write-buffer-page than the one selected by the Starting Address during the write buffer data loading stage of the operation.
- Write data other than the Confirm Command after the specified number of data load cycles.

The abort condition is indicated by $DQ1 = 1$, $DQ7 = DATA\#$ (for the last address location loaded), $DQ6 = \text{toggle}$, and $DQ5=0$. A Write-to-Buffer-Abort Reset command sequence must be written to reset the device for the next operation.

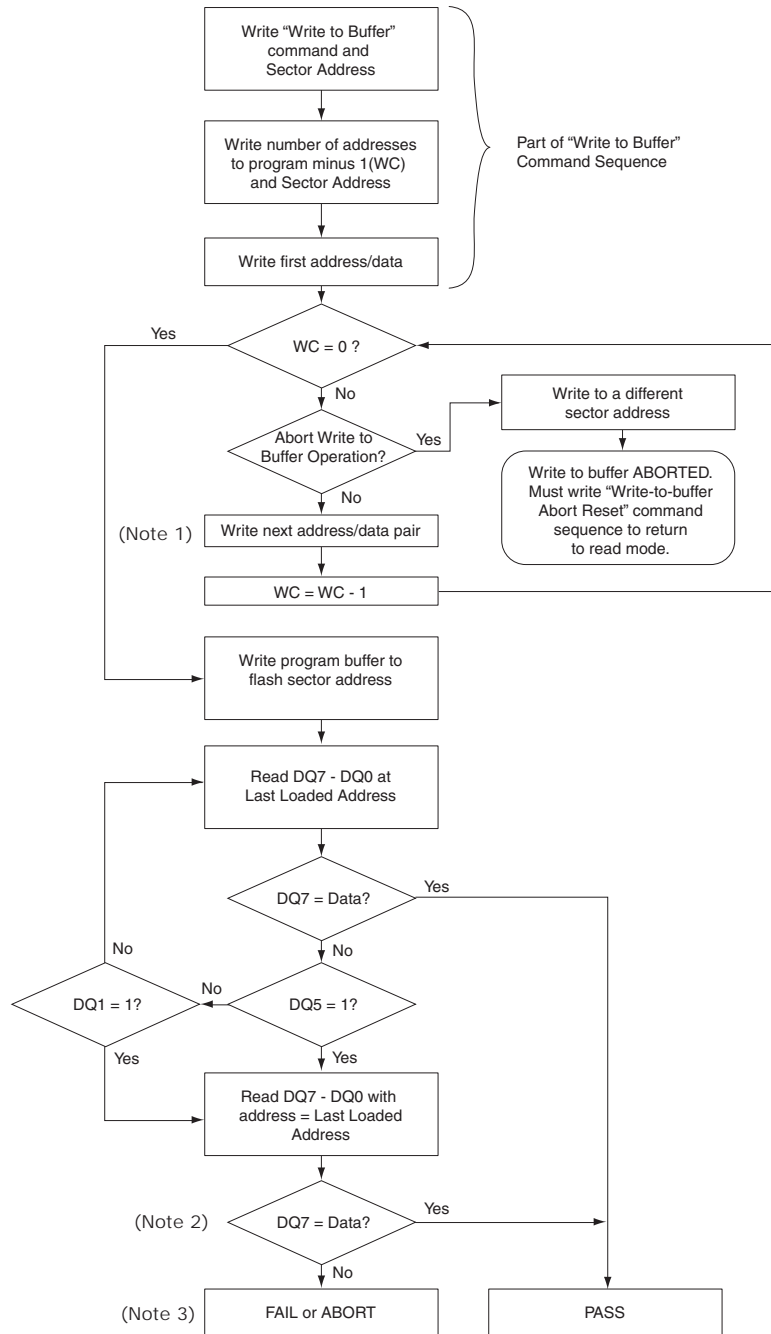
Note that the Secured Silicon Sector, autoselect, and CFI functions are unavailable when a program operation is in progress. This flash device is capable of handling multiple write buffer programming operations on the same write buffer address range without intervening erases. For applications requiring incremental

bit programming, a modified programming method is required; please contact your local Spansion representative. **Any bit in a write buffer address range cannot be programmed from “0” back to a “1.”** Attempting to do so may cause the device to set DQ5=1, or cause the DQ7 and DQ6 status bits to indicate the operation was successful. However, a succeeding read will show that the data is still “0.” Only erase operations can convert a “0” to a “1.”

Accelerated Program

The device offers accelerated program operations through the WP#/ACC or ACC pin depending on the particular product. When the system asserts V_{HH} on the WP#/ACC or ACC pin. The device uses the higher voltage on the WP#/ACC or ACC pin to accelerate the operation. *Note that the WP#/ACC pin must not be at V_{HH} for operations other than accelerated programming, or device damage may result. WP# has an internal pullup; when unconnected, WP# is at V_{IH} .*

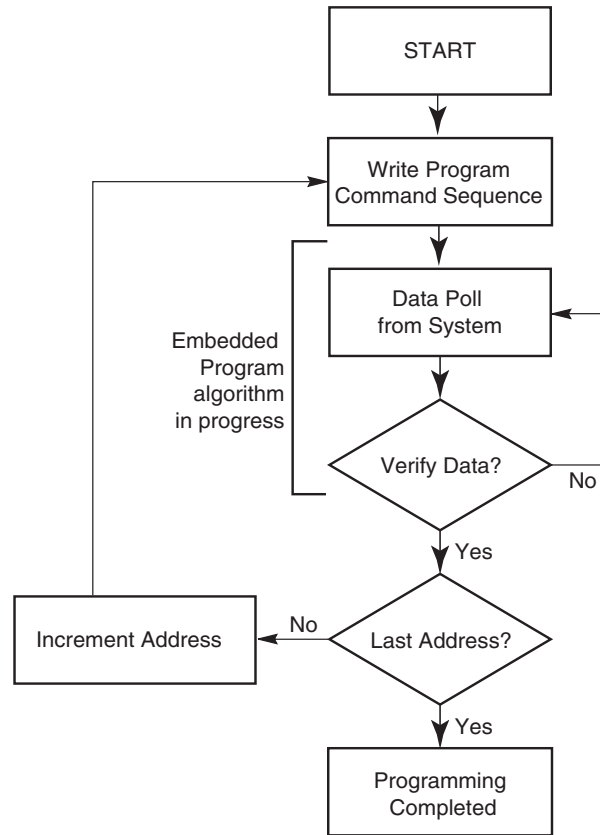
[Figure 3](#) illustrates the algorithm for the program operation. Refer to the Erase and Program Operations—“[AC Characteristics](#)” [section on page 67](#) section for parameters, and [Figure 14](#) for timing diagrams.



Notes:

1. When Sector Address is specified, any address in the selected sector is acceptable. However, when loading Write-Buffer address locations with data, all addresses must fall within the selected Write-Buffer Page.
2. DQ7 may change simultaneously with DQ5. Therefore, DQ7 should be verified.
3. If this flowchart location was reached because DQ5= "1", then the device FAILED. If this flowchart location was reached because DQ1= "1", then the Write to Buffer operation was ABORTED. In either case, the proper reset command must be written before the device can begin another operation. If DQ1=1, write the Write-Buffer-Programming-Abort-Reset command. if DQ5=1, write the Reset command.
4. See [Table 25](#) and [Table 26](#) for command sequences required for write buffer programming.

Figure 3. Write Buffer Programming Operation



Note: See [Table 25](#) and [Table 26](#) for program command sequence.

Figure 4. Program Operation

Program Suspend/Program Resume Command Sequence

The Program Suspend command allows the system to interrupt a programming operation or a Write to Buffer programming operation so that data can be read from any non-suspended sector. When the Program Suspend command is written during a programming process, the device halts the program operation within 15 μs maximum (5 μs typical) and updates the status bits. Addresses are not required when writing the Program Suspend command.

After the programming operation has been suspended, the system can read array data from any non-suspended sector. The Program Suspend command may also be issued during a programming operation while an erase is suspended. In this case, data may be read from any addresses not in Erase Suspend or Program Suspend. If a read is needed from the Secured Silicon Sector area (One-time Program area), then user must use the proper command sequences to enter and exit this region. Note that the Secured Silicon Sector, autoselect, and CFI functions are unavailable when a program operation is in progress.

The system may also write the autoselect command sequence when the device is in the Program Suspend mode. The system can read as many autoselect codes as required. When the device exits the autoselect mode, the device reverts to the Program Suspend mode, and is ready for another valid operation. See Autoselect Command Sequence for more information.

After the Program Resume command is written, the device reverts to programming. The system can determine the status of the program operation using the DQ7 or DQ6 status bits, just as in the standard program operation. See Write Operation Status for more information.

The system must write the Program Resume command (address bits are don't care) to exit the Program Suspend mode and continue the programming operation. Further writes of the Resume command are ignored. Another Program Suspend command can be written after the device has resumed programming.

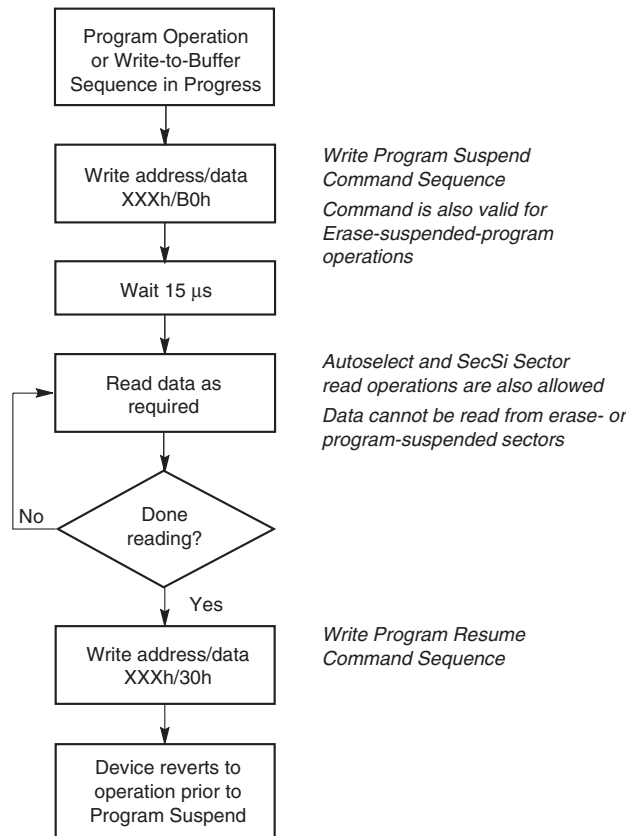


Figure 5. Program Suspend/Program Resume

Chip Erase Command Sequence

Chip erase is a six bus cycle operation. The chip erase command sequence is initiated by writing two unlock cycles, followed by a set-up command. Two additional unlock write cycles are then followed by the chip erase command, which in turn invokes the Embedded Erase algorithm. The device does *not* require the system to preprogram prior to erase. The Embedded Erase algorithm automatically preprograms and verifies the entire memory for an all zero data pattern prior to electrical erase. The system is not required to provide any controls or timings during these operations. Table 25 and Table 26 show the address and data requirements for the chip erase command sequence.

When the Embedded Erase algorithm is complete, the device returns to the read mode and addresses are no longer latched. The system can determine the status of the erase operation by using DQ7, DQ6, or DQ2. Refer to the Write Operation Status section for information on these status bits.

Any commands written during the chip erase operation are ignored. However, note that a **hardware reset** immediately terminates the erase operation. If that occurs, the chip erase command sequence should be reinitiated once the device has returned to reading array data, to ensure data integrity.

[Figure 6](#) illustrates the algorithm for the erase operation. Refer to the Erase and Program Operations table in the AC Characteristics section for parameters, and [Figure 18](#) section for timing diagrams.

Sector Erase Command Sequence

Sector erase is a six bus cycle operation. The sector erase command sequence is initiated by writing two unlock cycles, followed by a set-up command. Two additional unlock cycles are written, and are then followed by the address of the sector to be erased, and the sector erase command. [Table 25](#) and [Table 26](#) shows the address and data requirements for the sector erase command sequence.

The device does *not* require the system to preprogram prior to erase. The Embedded Erase algorithm automatically programs and verifies the entire memory for an all zero data pattern prior to electrical erase. The system is not required to provide any controls or timings during these operations.

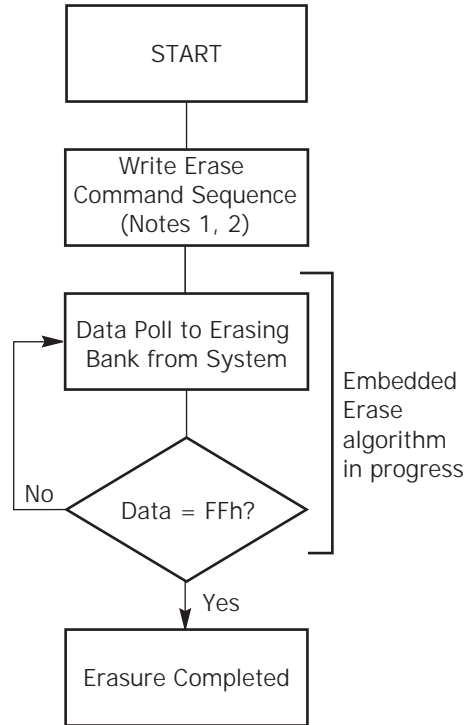
After the command sequence is written, a sector erase time-out of 50 μ s occurs. During the time-out period, additional sector addresses and sector erase commands may be written. Loading the sector erase buffer may be done in any sequence, and the number of sectors may be from one sector to all sectors. The time between these additional cycles must be less than 50 μ s, otherwise erasure may begin. Any sector erase address and command following the exceeded time-out may or may not be accepted. It is recommended that processor interrupts be disabled during this time to ensure all commands are accepted. The interrupts can be re-enabled after the last Sector Erase command is written. **Any command other than Sector Erase or Erase Suspend during the time-out period resets the device to the read mode. Note that the Secured Silicon Sector, autoselect, and CFI functions are unavailable when an erase operation is in progress.** The system must rewrite the command sequence and any additional addresses and commands.

The system can monitor DQ3 to determine if the sector erase timer has timed out (See the section on DQ3: Sector Erase Timer.). The time-out begins from the rising edge of the final WE# pulse in the command sequence.

When the Embedded Erase algorithm is complete, the device returns to reading array data and addresses are no longer latched. The system can determine the status of the erase operation by reading DQ7, DQ6, or DQ2 in the erasing sector. Refer to the Write Operation Status section for information on these status bits.

Once the sector erase operation has begun, only the Erase Suspend command is valid. All other commands are ignored. However, note that a **hardware reset** immediately terminates the erase operation. If that occurs, the sector erase command sequence should be reinitiated once the device has returned to reading array data, to ensure data integrity.

[Figure 6](#) illustrates the algorithm for the erase operation. Refer to the Erase and Program Operations table in the AC Characteristics section for parameters, and [Figure 18](#) section for timing diagrams.



Notes:

1. See [Table 25](#) and [Table 26](#) for program command sequence.
2. See the section on DQ3 for information on the sector erase timer.

Figure 6. Erase Operation

Erase Suspend/Erasure Resume Commands

The Erase Suspend command, B0h, allows the system to interrupt a sector erase operation and then read data from, or program data to, any sector not selected for erasure. This command is valid only during the sector erase operation, including the 50 μ s time-out period during the sector erase command sequence. The Erase Suspend command is ignored if written during the chip erase operation or Embedded Program algorithm.

When the Erase Suspend command is written during the sector erase operation, the device requires a typical of 5 μ s (maximum of 20 μ s) to suspend the erase operation. However, when the Erase Suspend command is written during the sector erase time-out, the device immediately terminates the time-out period and suspends the erase operation.

After the erase operation has been suspended, the device enters the erase-suspend-read mode. The system can read data from or program data to any sector not selected for erasure. (The device “erase suspends” all sectors selected for erasure.) Reading at any address within erase-suspended sectors produces status information on DQ7–DQ0. The system can use DQ7, or DQ6 and DQ2 together, to determine if a sector is actively erasing or is erase-suspended. Refer to the Write Operation Status section for information on these status bits.

After an erase-suspended program operation is complete, the device returns to the erase-suspend-read mode. The system can determine the status of the program operation using the DQ7 or DQ6 status bits, just as in the standard word

program operation. Refer to the Write Operation Status section for more information.

In the erase-suspend-read mode, the system can also issue the autoselect command sequence. Refer to the [“Autoselect Mode” section on page 30](#) and [“Autoselect Command Sequence” section on page 44](#) sections for details.

To resume the sector erase operation, the system must write the Erase Resume command. Further writes of the Resume command are ignored. Another Erase Suspend command can be written after the chip has resumed erasing.

Note: During an erase operation, this flash device performs multiple internal operations which are invisible to the system. When an erase operation is suspended, any of the internal operations that were not fully completed must be restarted. As such, if this flash device is continually issued suspend/resume commands in rapid succession, erase progress will be impeded as a function of the number of suspends. The result will be a longer cumulative erase time than without suspends. Note that the additional suspends do not affect device reliability or future performance. In most systems rapid erase/suspend activity occurs only briefly. In such cases, erase performance will not be significantly impacted.

Command Definitions

Table 25. Command Definitions (x16 Mode, BYTE# = V_{IH})

| Command Sequence (Note 1) | Cycles | Bus Cycles (Notes 2–5) | | | | | | | | | | | | |
|---------------------------------------|--|------------------------|------|--------|------|-------|------|--------|---------|-----------|------|-----------|------|-----------|
| | | First | | Second | | Third | | Fourth | | Fifth | | Sixth | | |
| | | Addr | Data | Addr | Data | Addr | Data | Addr | Data | Addr | Data | Addr | Data | |
| Read (Note 6) | 1 | RA | RD | | | | | | | | | | | |
| Reset (Note 7) | 1 | XXX | F0 | | | | | | | | | | | |
| Autoselect (Note 8) | Manufacturer ID | 4 | 555 | AA | 2AA | 55 | 555 | 90 | X00 | 0001 | | | | |
| | Device ID (Note 9) | 4 | 555 | AA | 2AA | 55 | 555 | 90 | X01 | 227E | X0E | (Note 18) | X0F | (Note 18) |
| | Secured Silicon Sector Factory Protect (Note 10) | 4 | 555 | AA | 2AA | 55 | 555 | 90 | X03 | (Note 10) | | | | |
| | Sector Group Protect Verify (Note 12) | 4 | 555 | AA | 2AA | 55 | 555 | 90 | (SA)X02 | 00/01 | | | | |
| Enter Secured Silicon Sector Region | 3 | 555 | AA | 2AA | 55 | 555 | 88 | | | | | | | |
| Exit Secured Silicon Sector Region | 4 | 555 | AA | 2AA | 55 | 555 | 90 | XXX | 00 | | | | | |
| Program | 4 | 555 | AA | 2AA | 55 | 555 | A0 | PA | PD | | | | | |
| Write to Buffer (Note 11) | 3 | 555 | AA | 2AA | 55 | SA | 25 | SA | WC | PA | PD | WBL | PD | |
| Program Buffer to Flash | 1 | SA | 29 | | | | | | | | | | | |
| Write to Buffer Abort Reset (Note 13) | 3 | 555 | AA | 2AA | 55 | 555 | F0 | | | | | | | |
| Unlock Bypass | 3 | 555 | AA | 2AA | 55 | 555 | 20 | | | | | | | |
| Unlock Bypass Program (Note 14) | 2 | XXX | A0 | PA | PD | | | | | | | | | |
| Unlock Bypass Reset (Note 15) | 2 | XXX | 90 | XXX | 00 | | | | | | | | | |
| Chip Erase | 6 | 555 | AA | 2AA | 55 | 555 | 80 | 555 | AA | 2AA | 55 | 555 | 10 | |
| Sector Erase | 6 | 555 | AA | 2AA | 55 | 555 | 80 | 555 | AA | 2AA | 55 | SA | 30 | |
| Program/Erase Suspend (Note 16) | 1 | XXX | B0 | | | | | | | | | | | |
| Program/Erase Resume (Note 17) | 1 | XXX | 30 | | | | | | | | | | | |
| CFI Query (Note 18) | 1 | 55 | 98 | | | | | | | | | | | |

Legend:

X = Don't care
 RA = Read Address of memory location to be read.
 RD = Read Data read from location RA during read operation.
 PA = Program Address. Addresses latch on falling edge of WE# or CE# pulse, whichever happens later.

PD = Program Data for location PA. Data latches on rising edge of WE# or CE# pulse, whichever happens first.
 SA = Sector Address of sector to be verified (in autoselect mode) or erased. Address bits A21–A15 uniquely select any sector.
 WBL = Write Buffer Location. Address must be within same write buffer page as PA.
 WC = Word Count. Number of write buffer locations to load minus 1.

Notes:

- See Table 3 for description of bus operations.
- All values are in hexadecimal.
- Shaded cells indicate read cycles. All others are write cycles.
- During unlock and command cycles, when lower address bits are 555 or 2AA as shown in table, address bits above A11 and data bits above DQ7 are don't care.
- No unlock or command cycles required when device is in read mode.
- Reset command is required to return to read mode (or to erase-suspend-read mode if previously in Erase Suspend) when device is in autoselect mode, or if DQ5 goes high while device is providing status information.
- Fourth cycle of the autoselect command sequence is a read cycle. Data bits DQ15–DQ8 are don't care. Except for RD, PD and WC. See Autoselect Command Sequence section for more information.
- Device ID must be read in three cycles.
- If WP# protects highest address sector, data is 98h for factory locked and 18h for not factory locked. If WP# protects lowest address sector, data is 88h for factory locked and 08h for not factor locked.
- Data is 00h for an unprotected sector group and 01h for a protected sector group.
- Total number of cycles in command sequence is determined by number of words written to write buffer. Maximum number of cycles in command sequence is 21, including "Program Buffer to Flash" command.
- Command sequence resets device for next command after aborted write-to-buffer operation.
- Unlock Bypass command is required prior to Unlock Bypass Program command.
- Unlock Bypass Reset command is required to return to read mode when device is in unlock bypass mode.
- System may read and program in non-erasing sectors, or enter autoselect mode, when in Erase Suspend mode. Erase Suspend command is valid only during a sector erase operation.
- Erase Resume command is valid only during Erase Suspend mode.
- Command is valid when device is ready to read array data or when device is in autoselect mode.
- Refer to Table 12, AutoSelect Codes for individual Device IDs per device density and model number.

Table 26. Command Definitions (x8 Mode, BYTE# = V_{IL})

| Command Sequence (Note 1) | Cycles | Bus Cycles (Notes 2–5) | | | | | | | | | | | |
|---------------------------------------|--|------------------------|------|--------|------|-------|------|--------|---------|-----------|------|-----------|---------------|
| | | First | | Second | | Third | | Fourth | | Fifth | | Sixth | |
| | | Addr | Data | Addr | Data | Addr | Data | Addr | Data | Addr | Data | Addr | Data |
| Read (Note 6) | 1 | RA | RD | | | | | | | | | | |
| Reset (Note 7) | 1 | XXX | F0 | | | | | | | | | | |
| Autoselect (Note 8) | Manufacturer ID | 4 | AAA | AA | 555 | 55 | AAA | 90 | X00 | 01 | | | |
| | Device ID (Note 9) | 4 | AAA | AA | 555 | 55 | AAA | 90 | X02 | 7E | X1C | (Note 17) | X1E (Note 17) |
| | Secured Silicon Sector Factory Protect (Note 10) | 4 | AAA | AA | 555 | 55 | AAA | 90 | X06 | (Note 10) | | | |
| | Sector Group Protect Verify (Note 12) | 4 | AAA | AA | 555 | 55 | AAA | 90 | (SA)X04 | 00/01 | | | |
| Enter Secured Silicon Sector Region | 3 | AAA | AA | 555 | 55 | AAA | 88 | | | | | | |
| Exit Secured Silicon Sector Region | 4 | AAA | AA | 555 | 55 | AAA | 90 | XXX | 00 | | | | |
| Write to Buffer (Note 11) | 3 | AAA | AA | 555 | 55 | SA | 25 | SA | BC | PA | PD | WBL | PD |
| Program Buffer to Flash | 1 | SA | 29 | | | | | | | | | | |
| Write to Buffer Abort Reset (Note 13) | 3 | AAA | AA | 555 | 55 | AAA | F0 | | | | | | |
| Chip Erase | 6 | AAA | AA | 555 | 55 | AAA | 80 | AAA | AA | 555 | 55 | AAA | 10 |
| Sector Erase | 6 | AAA | AA | 555 | 55 | AAA | 80 | AAA | AA | 555 | 55 | SA | 30 |
| Program/Erase Suspend (Note 14) | 1 | XXX | B0 | | | | | | | | | | |
| Program/Erase Resume (Note 15) | 1 | XXX | 30 | | | | | | | | | | |
| CFI Query (Note 16) | 1 | AA | 98 | | | | | | | | | | |

Legend:

X = Don't care
 RA = Read Address of memory location to be read.
 RD = Read Data read from location RA during read operation.
 PA = Program Address. Addresses latch on falling edge of WE# or CE# pulse, whichever happens later.

PD = Program Data for location PA. Data latches on rising edge of WE# or CE# pulse, whichever happens first.
 SA = Sector Address of sector to be verified (in autoselect mode) or erased. Address bits A21–A15 uniquely select any sector.
 WBL = Write Buffer Location. Address must be within same write buffer page as PA.
 BC = Byte Count. Number of write buffer locations to load minus 1.

Notes:

- See Table 3 for description of bus operations.
- All values are in hexadecimal.
- Shaded cells indicate read cycles. All others are write cycles.
- During unlock and command cycles, when lower address bits are 555 or AAA as shown in table, address bits above A11 are don't care.
- Unless otherwise noted, address bits A21–A11 are don't cares.
- No unlock or command cycles required when device is in read mode.
- Reset command is required to return to read mode (or to erase-suspend-read mode if previously in Erase Suspend) when device is in autoselect mode, or if DQ5 goes high while device is providing status information.
- Fourth cycle of autoselect command sequence is a read cycle. Data bits DQ15–DQ8 are don't care. See [Autoselect Command Sequence](#) section or more information.
- Device ID must be read in three cycles.
- If WP# protects highest address sector, data is 98h for factory locked and 18h for not factory locked. If WP# protects lowest address sector, data is 88h for factory locked and 08h for not factory locked.
- Data is 00h for an unprotected sector group and 01h for a protected sector group.
- Total number of cycles in command sequence is determined by number of bytes written to write buffer. Maximum number of cycles in command sequence is 37, including "Program Buffer to Flash" command.
- Command sequence resets device for next command after aborted write-to-buffer operation.
- System may read and program in non-erasing sectors, or enter autoselect mode, when in Erase Suspend mode. Erase Suspend command is valid only during a sector erase operation.
- Erase Resume command is valid only during Erase Suspend mode.
- Command is valid when device is ready to read array data or when device is in autoselect mode.
- Refer to Table 12, AutoSelect Codes for individual Device IDs per device density and model number.

Write Operation Status

The device provides several bits to determine the status of a program or erase operation: DQ2, DQ3, DQ5, DQ6, and DQ7. [Table 27](#) and the following subsections describe the function of these bits. DQ7 and DQ6 each offer a method for determining whether a program or erase operation is complete or in progress. The device also provides a hardware-based output signal, RY/BY#, to determine whether an Embedded Program or Erase operation is in progress or has been completed.

DQ7: Data# Polling

The Data# Polling bit, DQ7, indicates to the host system whether an Embedded Program or Erase algorithm is in progress or completed, or whether the device is in Erase Suspend. Data# Polling is valid after the rising edge of the final WE# pulse in the command sequence.

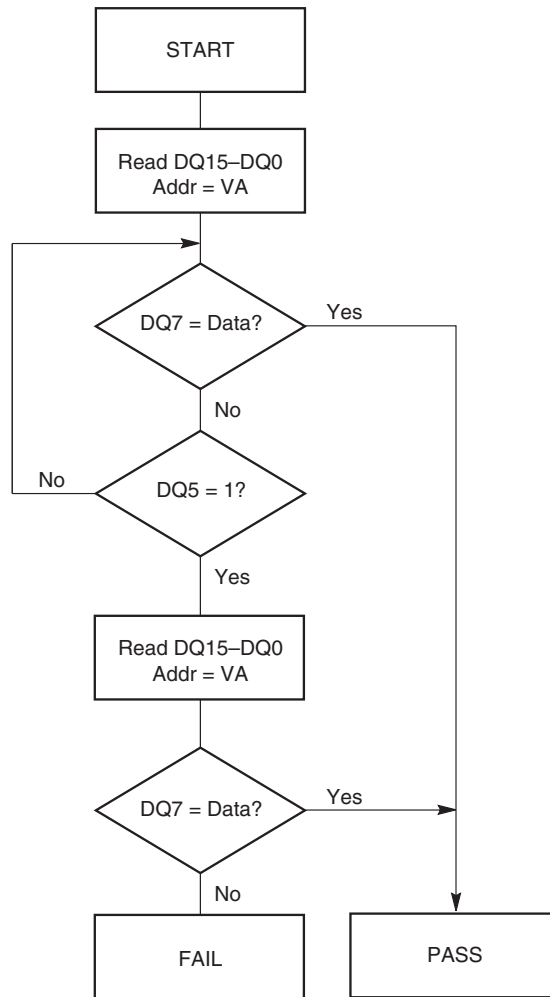
During the Embedded Program algorithm, the device outputs on DQ7 the complement of the datum programmed to DQ7. This DQ7 status also applies to programming during Erase Suspend. When the Embedded Program algorithm is complete, the device outputs the datum programmed to DQ7. The system must provide the program address to read valid status information on DQ7. If a program address falls within a protected sector, Data# Polling on DQ7 is active for approximately 1 μ s, then the device returns to the read mode.

During the Embedded Erase algorithm, Data# Polling produces a “0” on DQ7. When the Embedded Erase algorithm is complete, or if the device enters the Erase Suspend mode, Data# Polling produces a “1” on DQ7. The system must provide an address within any of the sectors selected for erasure to read valid status information on DQ7.

After an erase command sequence is written, if all sectors selected for erasing are protected, Data# Polling on DQ7 is active for approximately 100 μ s, then the device returns to the read mode. If not all selected sectors are protected, the Embedded Erase algorithm erases the unprotected sectors, and ignores the selected sectors that are protected. However, if the system reads DQ7 at an address within a protected sector, the status may not be valid.

Just prior to the completion of an Embedded Program or Erase operation, DQ7 may change asynchronously with DQ0–DQ6 while Output Enable (OE#) is asserted low. That is, the device may change from providing status information to valid data on DQ7. Depending on when the system samples the DQ7 output, it may read the status or valid data. Even if the device has completed the program or erase operation and DQ7 has valid data, the data outputs on DQ0–DQ6 may be still invalid. Valid data on DQ0–DQ7 will appear on successive read cycles.

[Table 27](#) shows the outputs for Data# Polling on DQ7. [Figure 7](#) shows the Data# Polling algorithm. [Figure 19](#) in the AC Characteristics section shows the Data# Polling timing diagram.



Notes:

1. VA = Valid address for programming. During a sector erase operation, a valid address is any sector address within the sector being erased. During chip erase, a valid address is any non-protected sector address.
2. DQ7 should be rechecked even if DQ5 = "1" because DQ7 may change simultaneously with DQ5.

Figure 7. Data# Polling Algorithm

RY/BY#: Ready/Busy#

The RY/BY# is a dedicated, open-drain output pin which indicates whether an Embedded Algorithm is in progress or complete. The RY/BY# status is valid after the rising edge of the final WE# pulse in the command sequence. Since RY/BY# is an open-drain output, several RY/BY# pins can be tied together in parallel with a pull-up resistor to V_{CC}.

If the output is low (Busy), the device is actively erasing or programming. (This includes programming in the Erase Suspend mode.) If the output is high (Ready), the device is in the read mode, the standby mode, or in the erase-suspend-read mode. [Table 27](#) shows the outputs for RY/BY#.

DQ6: Toggle Bit I

Toggle Bit I on DQ6 indicates whether an Embedded Program or Erase algorithm is in progress or complete, or whether the device has entered the Erase Suspend mode. Toggle Bit I may be read at any address, and is valid after the rising edge of the final WE# pulse in the command sequence (prior to the program or erase operation), and during the sector erase time-out.

During an Embedded Program or Erase algorithm operation, successive read cycles to any address cause DQ6 to toggle. The system may use either OE# or CE# to control the read cycles. When the operation is complete, DQ6 stops toggling.

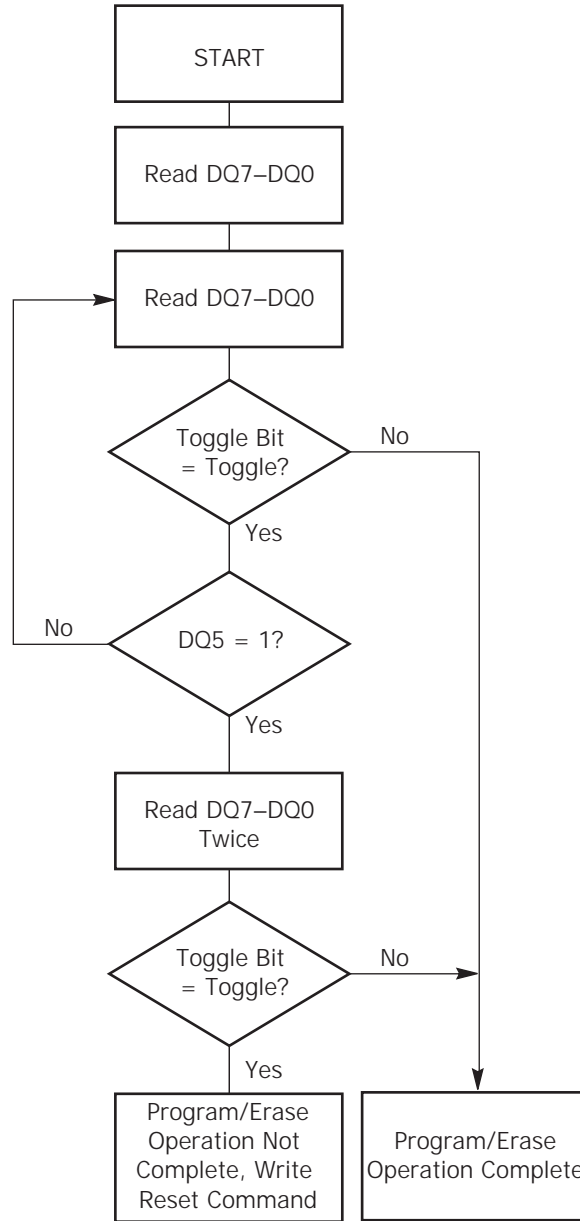
After an erase command sequence is written, if all sectors selected for erasing are protected, DQ6 toggles for approximately 100 μ s, then returns to reading array data. If not all selected sectors are protected, the Embedded Erase algorithm erases the unprotected sectors, and ignores the selected sectors that are protected.

The system can use DQ6 and DQ2 together to determine whether a sector is actively erasing or is erase-suspended. When the device is actively erasing (that is, the Embedded Erase algorithm is in progress), DQ6 toggles. When the device enters the Erase Suspend mode, DQ6 stops toggling. However, the system must also use DQ2 to determine which sectors are erasing or erase-suspended. Alternatively, the system can use DQ7 (see the subsection on DQ7: Data# Polling).

If a program address falls within a protected sector, DQ6 toggles for approximately 1 μ s after the program command sequence is written, then returns to reading array data.

DQ6 also toggles during the erase-suspend-program mode, and stops toggling once the Embedded Program algorithm is complete.

Table 27 shows the outputs for Toggle Bit I on DQ6. Figure 8 shows the toggle bit algorithm. Figure 20 in the “AC Characteristics” section shows the toggle bit timing diagrams. Figure 21 shows the differences between DQ2 and DQ6 in graphical form. See also the subsection on DQ2: Toggle Bit II.



Notes:

1. The system should recheck the toggle bit even if DQ5 = "1" because the toggle bit may stop toggling as DQ5 changes to "1." See the subsections on DQ6 and DQ2 for more information.

Figure 8. Toggle Bit Algorithm

DQ2: Toggle Bit II

The “Toggle Bit II” on DQ2, when used with DQ6, indicates whether a particular sector is actively erasing (that is, the Embedded Erase algorithm is in progress), or whether that sector is erase-suspended. Toggle Bit II is valid after the rising edge of the final WE# pulse in the command sequence.

DQ2 toggles when the system reads at addresses within those sectors that have been selected for erasure. (The system may use either OE# or CE# to control the read cycles.) But DQ2 cannot distinguish whether the sector is actively erasing or is erase-suspended. DQ6, by comparison, indicates whether the device is actively erasing, or is in Erase Suspend, but cannot distinguish which sectors are selected for erasure. Thus, both status bits are required for sector and mode information. Refer to [Table 27](#) to compare outputs for DQ2 and DQ6.

[Figure 8](#) shows the toggle bit algorithm in flowchart form, and the section “DQ2: Toggle Bit II” explains the algorithm. See also the RY/BY#: Ready/Busy# subsection. [Figure 20](#) shows the toggle bit timing diagram. [Figure 21](#) shows the differences between DQ2 and DQ6 in graphical form.

Reading Toggle Bits DQ6/DQ2

Refer to [Figure 8](#) for the following discussion. Whenever the system initially begins reading toggle bit status, it must read DQ7–DQ0 at least twice in a row to determine whether a toggle bit is toggling. Typically, the system would note and store the value of the toggle bit after the first read. After the second read, the system would compare the new value of the toggle bit with the first. If the toggle bit is not toggling, the device has completed the program or erase operation. The system can read array data on DQ7–DQ0 on the following read cycle.

However, if after the initial two read cycles, the system determines that the toggle bit is still toggling, the system also should note whether the value of DQ5 is high (see the section on DQ5). If it is, the system should then determine again whether the toggle bit is toggling, since the toggle bit may have stopped toggling just as DQ5 went high. If the toggle bit is no longer toggling, the device has successfully completed the program or erase operation. If it is still toggling, the device did not complete the operation successfully, and the system must write the reset command to return to reading array data.

The remaining scenario is that the system initially determines that the toggle bit is toggling and DQ5 has not gone high. The system may continue to monitor the toggle bit and DQ5 through successive read cycles, determining the status as described in the previous paragraph. Alternatively, it may choose to perform other system tasks. In this case, the system must start at the beginning of the algorithm when it returns to determine the status of the operation (top of [Figure 8](#)).

DQ5: Exceeded Timing Limits

DQ5 indicates whether the program, erase, or write-to-buffer time has exceeded a specified internal pulse count limit. Under these conditions DQ5 produces a “1,” indicating that the program or erase cycle was not successfully completed.

The device may output a “1” on DQ5 if the system tries to program a “1” to a location that was previously programmed to “0.” **Only an erase operation can change a “0” back to a “1.”** Under this condition, the device halts the operation, and when the timing limit has been exceeded, DQ5 produces a “1.”

In all these cases, the system must write the reset command to return the device to the reading the array (or to erase-suspend-read if the device was previously in the erase-suspend-program mode).

DQ3: Sector Erase Timer

After writing a sector erase command sequence, the system may read DQ3 to determine whether or not erasure has begun. (The sector erase timer does not apply to the chip erase command.) If additional sectors are selected for erasure, the entire time-out also applies after each additional sector erase command. When the time-out period is complete, DQ3 switches from a “0” to a “1.” If the time between additional sector erase commands from the system can be assumed to be less than 50 μ s, the system need not monitor DQ3. See also the Sector Erase Command Sequence section.

After the sector erase command is written, the system should read the status of DQ7 (Data# Polling) or DQ6 (Toggle Bit I) to ensure that the device has accepted the command sequence, and then read DQ3. If DQ3 is “1,” the Embedded Erase algorithm has begun; all further commands (except Erase Suspend) are ignored until the erase operation is complete. If DQ3 is “0,” the device will accept additional sector erase commands. To ensure the command has been accepted, the system software should check the status of DQ3 prior to and following each subsequent sector erase command. If DQ3 is high on the second status check, the last command might not have been accepted.

[Table 27](#) shows the status of DQ3 relative to the other status bits.

DQ1: Write-to-Buffer Abort

DQ1 indicates whether a Write-to-Buffer operation was aborted. Under these conditions DQ1 produces a “1”. The system must issue the Write-to-Buffer-Abort-Reset command sequence to return the device to reading array data. See Write Buffer section for more details.

Table 27. Write Operation Status

| Status | | DQ7 (Note 2) | DQ6 | DQ5 (Note 1) | DQ3 | DQ2 (Note 2) | DQ1 | RY/ BY# | |
|----------------------|--|------------------------------|-----------------------|-----------------|-----|-----------------|--------|------------|---|
| Standard Mode | Embedded Program Algorithm | DQ7# | Toggle | 0 | N/A | No toggle | 0 | 0 | |
| | Embedded Erase Algorithm | 0 | Toggle | 0 | 1 | Toggle | N/A | 0 | |
| Program Suspend Mode | Program-Suspend Read | Program-Suspended Sector | Invalid (not allowed) | | | | | 1 | |
| | Program-Suspend Read | Non-Program Suspended Sector | Data | | | | | 1 | |
| Erase Suspend Mode | Erase-Suspend Read | Erase-Suspended Sector | 1 | No toggle | 0 | N/A | Toggle | N/A | 1 |
| | | Non-Erase Suspended Sector | Data | | | | | 1 | |
| | Erase-Suspend-Program (Embedded Program) | DQ7# | Toggle | 0 | N/A | N/A | N/A | 0 | |
| Write-to-Buffer | Busy (Note 3) | DQ7# | Toggle | 0 | N/A | N/A | 0 | 0 | |
| | Abort (Note 4) | DQ7# | Toggle | 0 | N/A | N/A | 1 | 0 | |

Notes:

1. DQ5 switches to '1' when an Embedded Program, Embedded Erase, or Write-to-Buffer operation has exceeded the maximum timing limits. Refer to the section on DQ5 for more information.
2. DQ7 and DQ2 require a valid address when reading status information. Refer to the appropriate subsection for further details.
3. The Data# Polling algorithm should be used to monitor the last loaded write-buffer address location.
4. DQ1 switches to '1' when the device has aborted the write-to-buffer operation.

Absolute Maximum Ratings

| | |
|--|----------------------------------|
| Storage Temperature, Plastic Packages | -65°C to +150°C |
| Ambient Temperature with Power Applied | -65°C to +125°C |
| Voltage with Respect to Ground: | |
| V _{CC} (Note 1) | -0.5 V to +4.0 V |
| A9, OE#, ACC and RESET# (Note 2) | -0.5 V to +12.5 V |
| All other pins (Note 1) | -0.5 V to V _{CC} +0.5 V |
| Output Short Circuit Current (Note 3) | 200 mA |

Notes:

1. Minimum DC voltage on input or I/Os is -0.5 V. During voltage transitions, inputs or I/Os may overshoot V_{SS} to -2.0 V for periods of up to 20 ns. See Figure 9. Maximum DC voltage on input or I/Os is V_{CC} + 0.5 V. During voltage transitions, input or I/O pins may overshoot to V_{CC} + 2.0 V for periods up to 20 ns. See Figure 10.
2. Minimum DC input voltage on pins A9, OE#, ACC, and RESET# is -0.5 V. During voltage transitions, A9, OE#, ACC, and RESET# may overshoot V_{SS} to -2.0 V for periods of up to 20 ns. See Figure 9. Maximum DC input voltage on pin A9, OE#, ACC, and RESET# is +12.5 V which may overshoot to +14.0V for periods up to 20 ns.
3. No more than one output may be shorted to ground at a time. Duration of the short circuit should not be greater than one second.
4. Stresses above those listed under "Absolute Maximum Ratings" may cause permanent damage to the device. This is a stress rating only; functional operation of the device at these or any other conditions above those indicated in the operational sections of this data sheet is not implied. Exposure of the device to absolute maximum rating conditions for extended periods may affect device reliability.

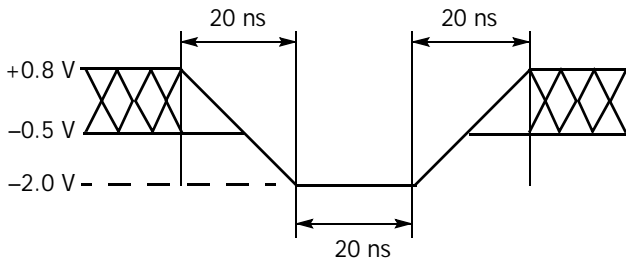


Figure 9. Maximum Negative Overshoot Waveform

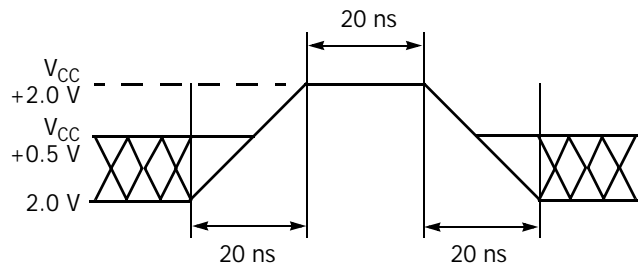


Figure 10. Maximum Positive Overshoot Waveform

Operating Ranges

Industrial (I) Devices

| | |
|---|----------------|
| Ambient Temperature (T _A) | -40°C to +85°C |
|---|----------------|

Supply Voltages

| | |
|---|------------------|
| V _{CC} for full voltage range | +2.7 V to +3.6 V |
| V _{CC} for regulated voltage range | +3.0 V to +3.6 V |
| V _{IO} | V _{CC} |

Note: Operating ranges define those limits between which the functionality of the device is guaranteed.

DC Characteristics

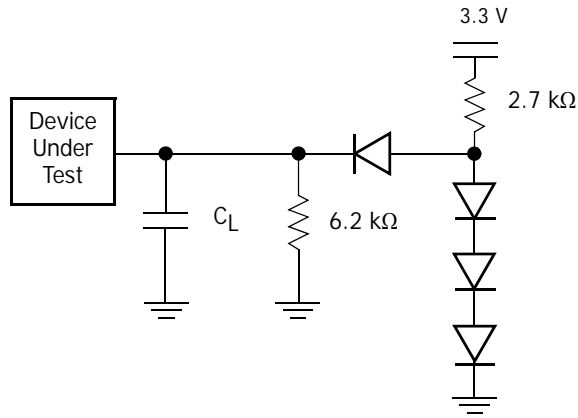
CMOS Compatible

| Parameter Symbol | Parameter Description (Notes) | Test Conditions | Min | Typ | Max | Unit | |
|------------------|---|--|----------------|------|----------------|---------|----|
| I_{LI} | Input Load Current (Note 1) | $V_{IN} = V_{SS}$ to V_{CC} , $V_{CC} = V_{CC\ max}$ | | | ± 1.0 | μA | |
| I_{LIT} | A9, ACC Input Load Current | $V_{CC} = V_{CC\ max}$; A9 = 12.5 V | -40°C to 0°C | | 250 | μA | |
| | | | 0°C to 85°C | | 35 | | |
| I_{LR} | Reset Leakage Current | $V_{CC} = V_{CC\ max}$; RESET# = 12.5 V | | | 35 | μA | |
| I_{LO} | Output Leakage Current | $V_{OUT} = V_{SS}$ to V_{CC} , $V_{CC} = V_{CC\ max}$ | | | ± 1.0 | μA | |
| I_{CC1} | V_{CC} Initial Read Current (Notes 2, 3) | CE# = V_{IL} , OE# = V_{IH} , | 1 MHz | | 5 | 20 | mA |
| | | | 5 MHz | | 18 | 25 | |
| | | | 10 MHz | | 35 | 50 | |
| I_{CC2} | V_{CC} Intra-Page Read Current (Notes 2, 3) | CE# = V_{IL} , OE# = V_{IH} | 10 MHz | | 5 | 20 | mA |
| | | | 40 MHz | | 10 | 40 | |
| I_{CC3} | V_{CC} Active Write Current (Note 3) | CE# = V_{IL} , OE# = V_{IH} | | 50 | 60 | mA | |
| I_{CC4} | V_{CC} Standby Current (Note 3) | CE#, RESET# = $V_{CC} \pm 0.3$ V, WP# = V_{IH} | | 1 | 5 | μA | |
| I_{CC5} | V_{CC} Reset Current (Note 3) | RESET# = $V_{SS} \pm 0.3$ V, WP# = V_{IH} | | 1 | 5 | μA | |
| I_{CC6} | Automatic Sleep Mode (Notes 3, 5) | $V_{IH} = V_{CC} \pm 0.3$ V; $-0.1 < V_{IL} \leq 0.3$ V, WP# = V_{IH} | | 1 | 5 | μA | |
| V_{IL} | Input Low Voltage 1 (Note 6) | | -0.5 | | 0.8 | V | |
| V_{IH} | Input High Voltage 1 (Note 6) | | $0.7 V_{CC}$ | | $V_{CC} + 0.5$ | V | |
| V_{HH} | Voltage for ACC Program Acceleration | $V_{CC} = 2.7 - 3.6$ V | 11.5 | 12.0 | 12.5 | V | |
| V_{ID} | Voltage for Autoselect and Temporary Sector Unprotect | $V_{CC} = 2.7 - 3.6$ V | 11.5 | 12.0 | 12.5 | V | |
| V_{OL} | Output Low Voltage (Note 6) | $I_{OL} = 4.0$ mA, $V_{CC} = V_{CC\ min}$ | | | 0.45 | V | |
| V_{OH1} | Output High Voltage | $I_{OH} = -2.0$ mA, $V_{CC} = V_{CC\ min}$ | $0.85 V_{CC}$ | | | V | |
| V_{OH2} | | $I_{OH} = -100$ μA , $V_{CC} = V_{CC\ min}$ | $V_{CC} - 0.4$ | | | V | |
| V_{LKO} | Low V_{CC} Lock-Out Voltage (Note 7) | | 2.3 | | 2.5 | V | |

Notes:

1. On the WP#/ACC pin only, the maximum input load current when WP# = V_{IL} is $\pm 5.0 \mu A$.
2. The I_{CC} current listed is typically less than 3.5 mA/MHz, with OE# at V_{IH} .
3. Maximum I_{CC} specifications are tested with $V_{CC} = V_{CC\ max}$.
4. I_{CC} active while Embedded Erase or Embedded Program is in progress.
5. Automatic sleep mode enables the low power mode when addresses remain stable for $t_{ACC} + 30$ ns.
6. V_{CC} voltage requirements.
7. Not 100% tested.

Test Conditions



Note: Diodes are 1N3064 or equivalent.

Figure II. Test Setup

Table 28. Test Specifications

| Test Condition | All Speeds | Unit |
|--|-----------------|------|
| Output Load | 1 TTL gate | |
| Output Load Capacitance, C_L (including jig capacitance) | 30 | pF |
| Input Rise and Fall Times | 5 | ns |
| Input Pulse Levels | 0.0 or V_{CC} | V |
| Input timing measurement reference levels (See Note) | $0.5 V_{CC}$ | V |
| Output timing measurement reference levels | $0.5 V_{CC}$ | V |

Key to Switching Waveforms

| Waveform | Inputs | Outputs |
|----------|----------------------------------|--|
| | Steady | |
| | Changing from H to L | |
| | Changing from L to H | |
| | Don't Care, Any Change Permitted | Changing, State Unknown |
| | Does Not Apply | Center Line is High Impedance State (High Z) |

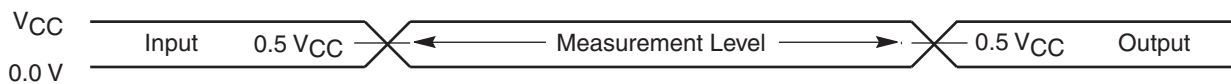


Figure I2. Input Waveforms and Measurement Levels

AC Characteristics

Read-Only Operations-S29GL064A only

| Parameter | | Description | Test Setup | | Speed Options | | | Unit |
|------------|------------|---|----------------------------|-----|---------------|-----|-----|------|
| JEDEC | Std. | | | | 90 | 10 | 11 | |
| t_{AVAV} | t_{RC} | Read Cycle Time (Note 1) | | Min | 90 | 100 | 110 | ns |
| t_{AVQV} | t_{ACC} | Address to Output Delay | CE#, OE# = V _{IL} | Max | 90 | 100 | 110 | ns |
| t_{ELQV} | t_{CE} | Chip Enable to Output Delay | OE# = V _{IL} | Max | 90 | 100 | 110 | ns |
| | t_{PACC} | Page Access Time | | Max | 25 | 30 | 30 | ns |
| t_{GLQV} | t_{OE} | Output Enable to Output Delay | | Max | 25 | 30 | 30 | ns |
| t_{EHQZ} | t_{DF} | Chip Enable to Output High Z (Note 1) | | Max | 16 | | | ns |
| t_{GHQZ} | t_{DF} | Output Enable to Output High Z (Note 1) | | Max | 16 | | | ns |
| t_{AXQX} | t_{OH} | Output Hold Time From Addresses, CE# or OE#, Whichever Occurs First | | Min | 0 | | | ns |
| | t_{OEh} | Output Enable Hold Time (Note 1) | Read | Min | 0 | | | ns |
| | | | Toggle and Data# Polling | Min | 10 | | | ns |

Notes:

1. Not 100% tested.
2. See [Figure 11](#) and [Table 28](#) for test specifications.

Read-Only Operations-S29GL032A only

| Parameter | | Description | Test Setup | | Speed Options | | | Unit |
|------------|------------|---|----------------------------|-----|---------------|-----|-----|------|
| JEDEC | Std. | | | | 90 | 10 | 11 | |
| t_{AVAV} | t_{RC} | Read Cycle Time (Note 1) | | Min | 90 | 100 | 110 | ns |
| t_{AVQV} | t_{ACC} | Address to Output Delay | CE#, OE# = V _{IL} | Max | 90 | 100 | 110 | ns |
| t_{ELQV} | t_{CE} | Chip Enable to Output Delay | OE# = V _{IL} | Max | 90 | 100 | 110 | ns |
| | t_{PACC} | Page Access Time | | Max | 25 | 30 | 30 | ns |
| t_{GLQV} | t_{OE} | Output Enable to Output Delay | | Max | 25 | 30 | 30 | ns |
| t_{EHQZ} | t_{DF} | Chip Enable to Output High Z (Note 1) | | Max | 16 | | | ns |
| t_{GHQZ} | t_{DF} | Output Enable to Output High Z (Note 1) | | Max | 16 | | | ns |
| t_{AXQX} | t_{OH} | Output Hold Time From Addresses, CE# or OE#, Whichever Occurs First | | Min | 0 | | | ns |
| | t_{OEh} | Output Enable Hold Time (Note 1) | Read | Min | 0 | | | ns |
| | | | Toggle and Data# Polling | Min | 10 | | | ns |

Notes:

1. Not 100% tested.
2. See [Figure 11](#) and [Table 28](#) for test specifications.

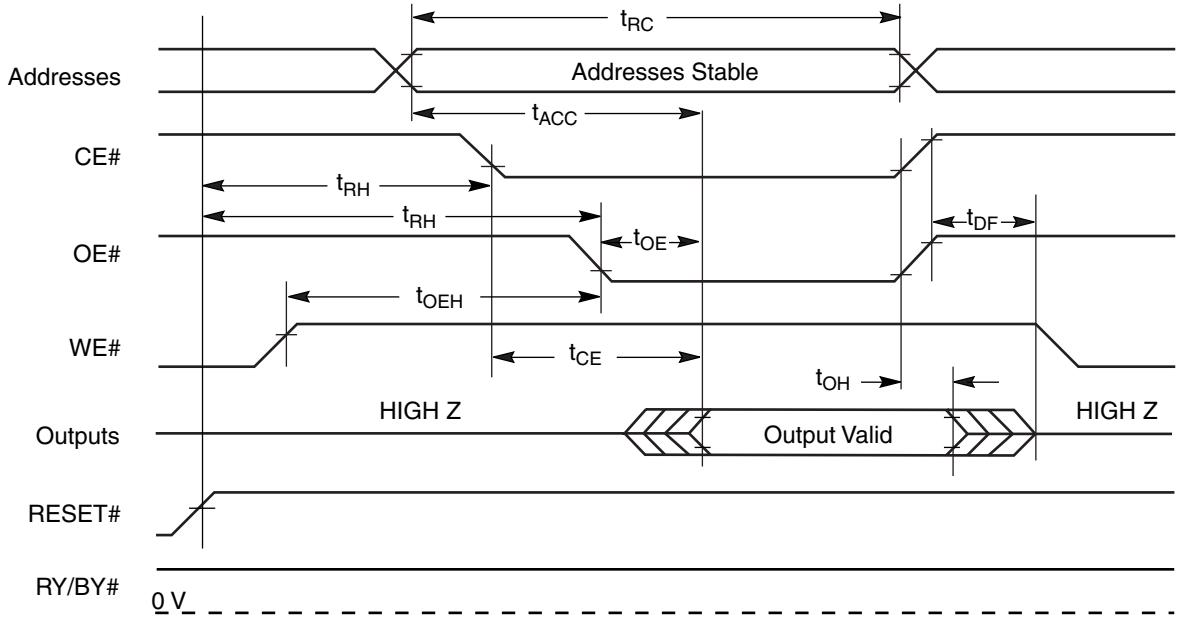
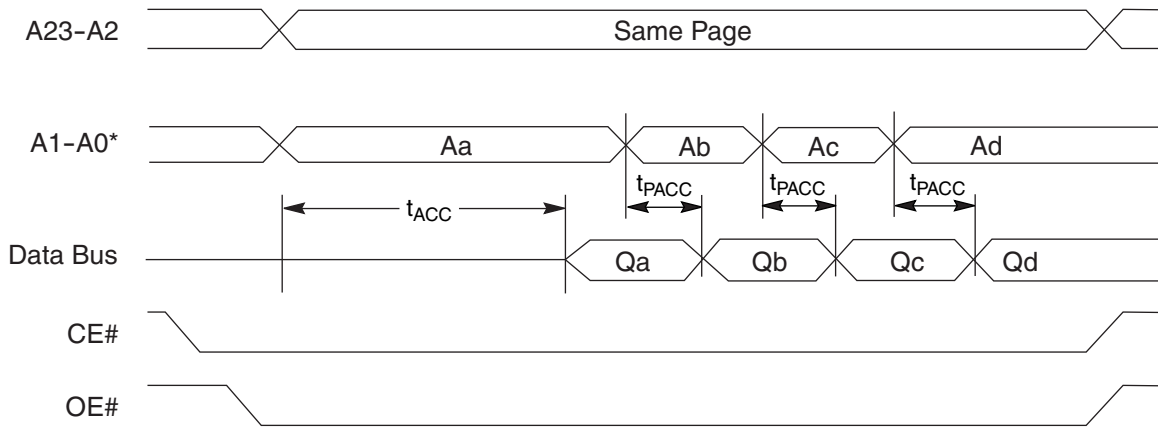


Figure I3. Read Operation Timings



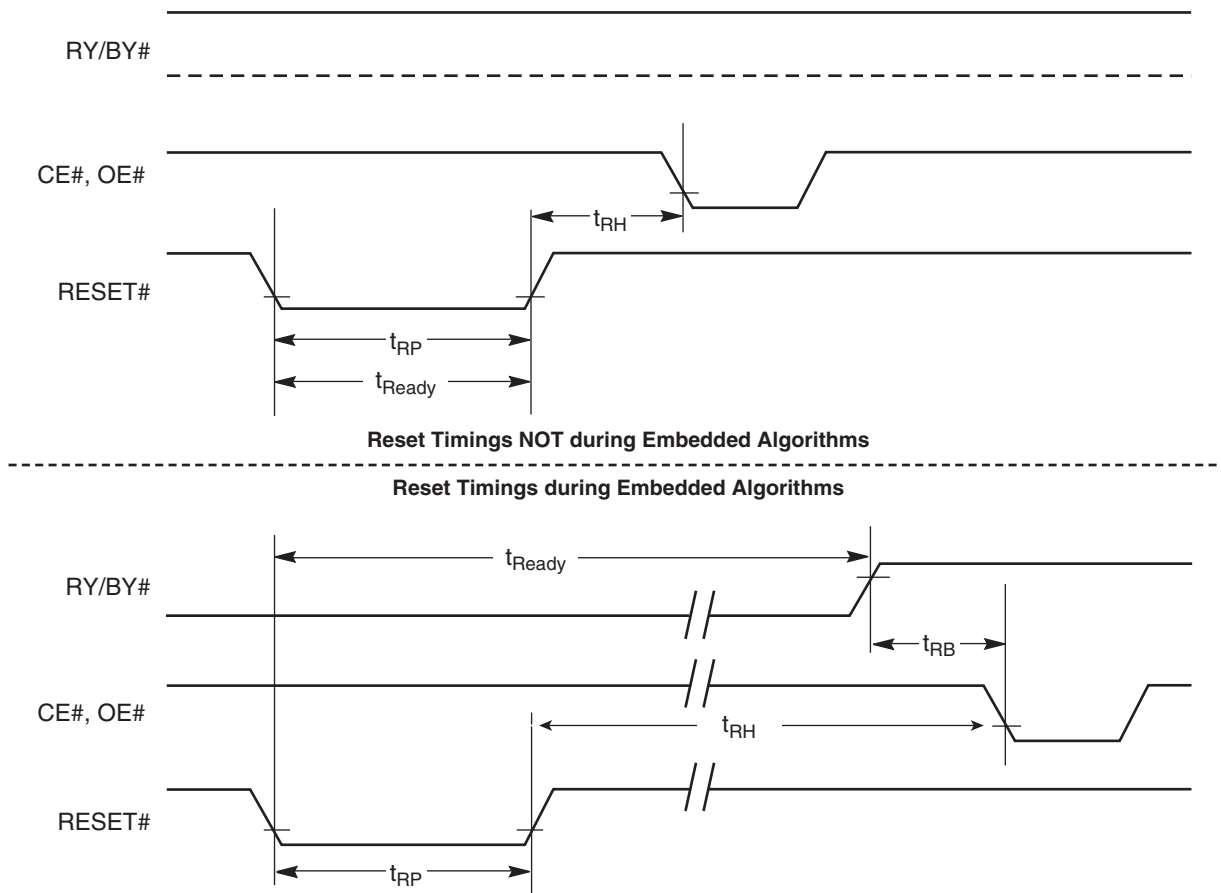
Note: * Figure shows device in word mode. Addresses are A1-A-1 for byte mode.

Figure I4. Page Read Timings

Hardware Reset (RESET#)

| Parameter | | Description | | All Speed Options | Unit |
|-----------|-------------|---|-----|-------------------|---------|
| JEDEC | Std. | | | | |
| | t_{Ready} | RESET# Pin Low (During Embedded Algorithms) to Read Mode (See Note) | Max | 20 | μ S |
| | t_{Ready} | RESET# Pin Low (NOT During Embedded Algorithms) to Read Mode (See Note) | Max | 500 | ns |
| | t_{RP} | RESET# Pulse Width | Min | 500 | ns |
| | t_{RH} | Reset High Time Before Read (See Note) | Min | 50 | ns |
| | t_{RPD} | RESET# Input Low to Standby Mode (See Note) | Min | 20 | μ S |
| | t_{RB} | RY/BY# Output High to CE#, OE# pin Low | Min | 0 | ns |

Note: Not 100% tested.



Notes:

1. Not 100% tested.
2. See the "Erase and Programming Performance" section for more information.
3. For 1–16 words/1–32 bytes programmed.

Figure I5. Reset Timings

Erase and Program Operations-S29GL064A Only

| Parameter | | Description | | Speed Options | | | Unit |
|-------------|-------------|--|-----|---------------|-----|-----|---------|
| JEDEC | Std. | | | 90 | 10 | 11 | |
| t_{AVAV} | t_{WC} | Write Cycle Time (Note 1) | Min | 90 | 100 | 110 | ns |
| t_{AVWL} | t_{AS} | Address Setup Time | Min | 0 | | | ns |
| | t_{ASO} | Address Setup Time to OE# low during toggle bit polling | Min | 15 | | | ns |
| t_{WLAX} | t_{AH} | Address Hold Time | Min | 45 | | | ns |
| | t_{AHT} | Address Hold Time From CE# or OE# high during toggle bit polling | Min | 0 | | | ns |
| t_{DVWH} | t_{DS} | Data Setup Time | Min | 35 | | | ns |
| t_{WHDX} | t_{DH} | Data Hold Time | Min | 0 | | | ns |
| | t_{CEPH} | CE# High during toggle bit polling | Min | 20 | | | ns |
| | t_{OEPH} | OE# High during toggle bit polling | Min | 20 | | | ns |
| t_{GHWL} | t_{GHWL} | Read Recovery Time Before Write (OE# High to WE# Low) | Min | 0 | | | ns |
| t_{ELWL} | t_{CS} | CE# Setup Time | Min | 0 | | | ns |
| t_{WHEH} | t_{CH} | CE# Hold Time | Min | 0 | | | ns |
| t_{WLWH} | t_{WP} | Write Pulse Width | Min | 35 | | | ns |
| t_{WHDL} | t_{WPH} | Write Pulse Width High | Min | 30 | | | ns |
| t_{WHWH1} | t_{WHWH1} | Write Buffer Program Operation (Notes 2, 3) | Typ | 240 | | | μ s |
| | | Single Word Program Operation (Note 2) | Typ | 60 | | | |
| | | Accelerated Single Word Program Operation (Note 2) | Typ | 54 | | | |
| t_{WHWH2} | t_{WHWH2} | Sector Erase Operation (Note 2) | Typ | 0.5 | | | sec |
| | t_{VHH} | V_{HH} Rise and Fall Time (Note 1) | Min | 250 | | | ns |
| | t_{VCS} | V_{CC} Setup Time (Note 1) | Min | 50 | | | μ s |
| | t_{BUSY} | WE# High to RY/BY# Low | Min | 90 | 100 | 110 | ns |
| | t_{POLL} | Program Valid before Status Polling | Max | 4 | | | μ s |

Notes:

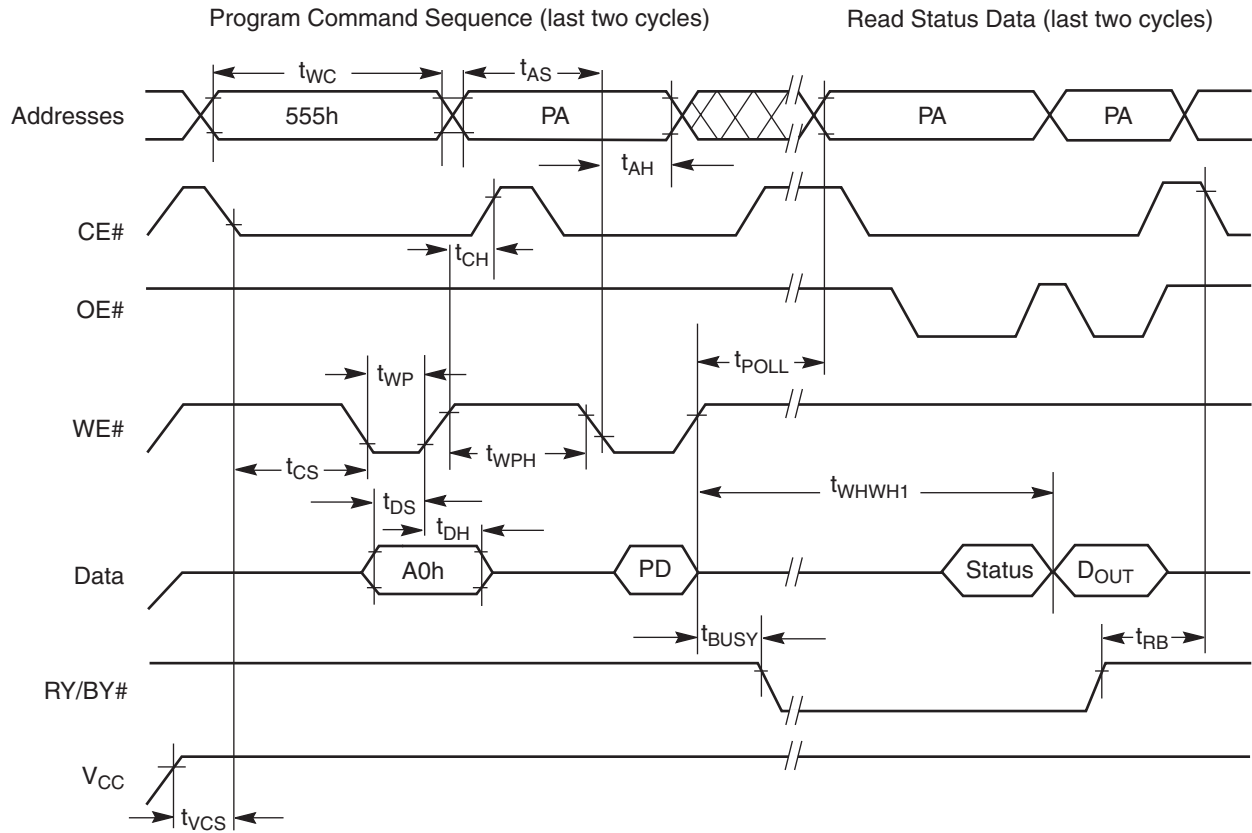
1. Not 100% tested.
2. See the "Erase and Programming Performance" section for more information.
3. For 1–16 words/1–32 bytes programmed.
4. If a program suspend command is issued within t_{POLL} , the device requires t_{POLL} before reading status data, once programming has resumed (that is, the program resume command has been written). If the suspend command was issued after t_{POLL} , status data is available immediately after programming has resumed. See [Figure 16](#).

Erase and Program Operations-S29GL032A Only

| Parameter | | Description | | Speed Options | | | Unit |
|-------------|-------------|--|-----|---------------|-----|-----|---------|
| JEDEC | Std. | | | 90 | 10 | 11 | |
| t_{AVAV} | t_{WC} | Write Cycle Time (Note 1) | Min | 90 | 100 | 110 | ns |
| t_{AVWL} | t_{AS} | Address Setup Time | Min | 0 | | | ns |
| | t_{ASO} | Address Setup Time to OE# low during toggle bit polling | Min | 15 | | | ns |
| t_{WLAX} | t_{AH} | Address Hold Time | Min | 45 | | | ns |
| | t_{AHT} | Address Hold Time From CE# or OE# high during toggle bit polling | Min | 0 | | | ns |
| t_{DVWH} | t_{DS} | Data Setup Time | Min | 35 | | | ns |
| t_{WHDX} | t_{DH} | Data Hold Time | Min | 0 | | | ns |
| | t_{CEPH} | CE# High during toggle bit polling | Min | 20 | | | ns |
| | t_{OEPH} | OE# High during toggle bit polling | Min | 20 | | | ns |
| t_{GHWL} | t_{GHWL} | Read Recovery Time Before Write (OE# High to WE# Low) | Min | 0 | | | ns |
| t_{ELWL} | t_{CS} | CE# Setup Time | Min | 0 | | | ns |
| t_{WHEH} | t_{CH} | CE# Hold Time | Min | 0 | | | ns |
| t_{WLWH} | t_{WP} | Write Pulse Width | Min | 35 | | | ns |
| t_{WHDL} | t_{WPH} | Write Pulse Width High | Min | 30 | | | ns |
| t_{WHWH1} | t_{WHWH1} | Write Buffer Program Operation (Notes 2, 3) | Typ | 240 | | | μ s |
| | | Single Word Program Operation (Note 2) | Typ | 60 | | | |
| | | Accelerated Single Word Program Operation (Note 2) | Typ | 54 | | | |
| t_{WHWH2} | t_{WHWH2} | Sector Erase Operation (Note 2) | Typ | 0.5 | | | sec |
| | t_{VHH} | V_{HH} Rise and Fall Time (Note 1) | Min | 250 | | | ns |
| | t_{VCS} | V_{CC} Setup Time (Note 1) | Min | 50 | | | μ s |
| | t_{BUSY} | WE# High to RY/BY# Low | Min | 90 | 100 | 110 | ns |
| | t_{POLL} | Program Valid before Status Polling | Max | 4 | | | μ s |

Notes:

1. Not 100% tested.
2. See ["Erase And Programming Performance"](#) for more information
3. For 1–16 words/1–32 bytes programmed.
4. Effective write buffer specification is based upon a 16-word/32-byte write buffer operation.
5. If a program suspend command is issued within t_{POLL} , the device requires t_{POLL} before reading status data, once programming resumes (that is, the program resume command has been written). If the suspend command was issued after t_{POLL} , status data is available immediately after programming resumes. See [Figure 16](#).



Notes:

1. PA = program address, PD = program data, D_{OUT} is the true data at the program address.
2. Illustration shows device in word mode.

Figure 16. Program Operation Timings

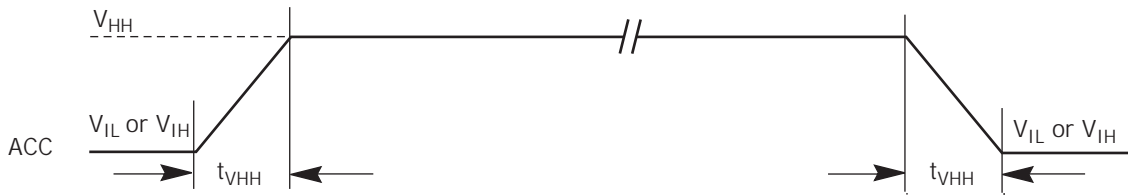
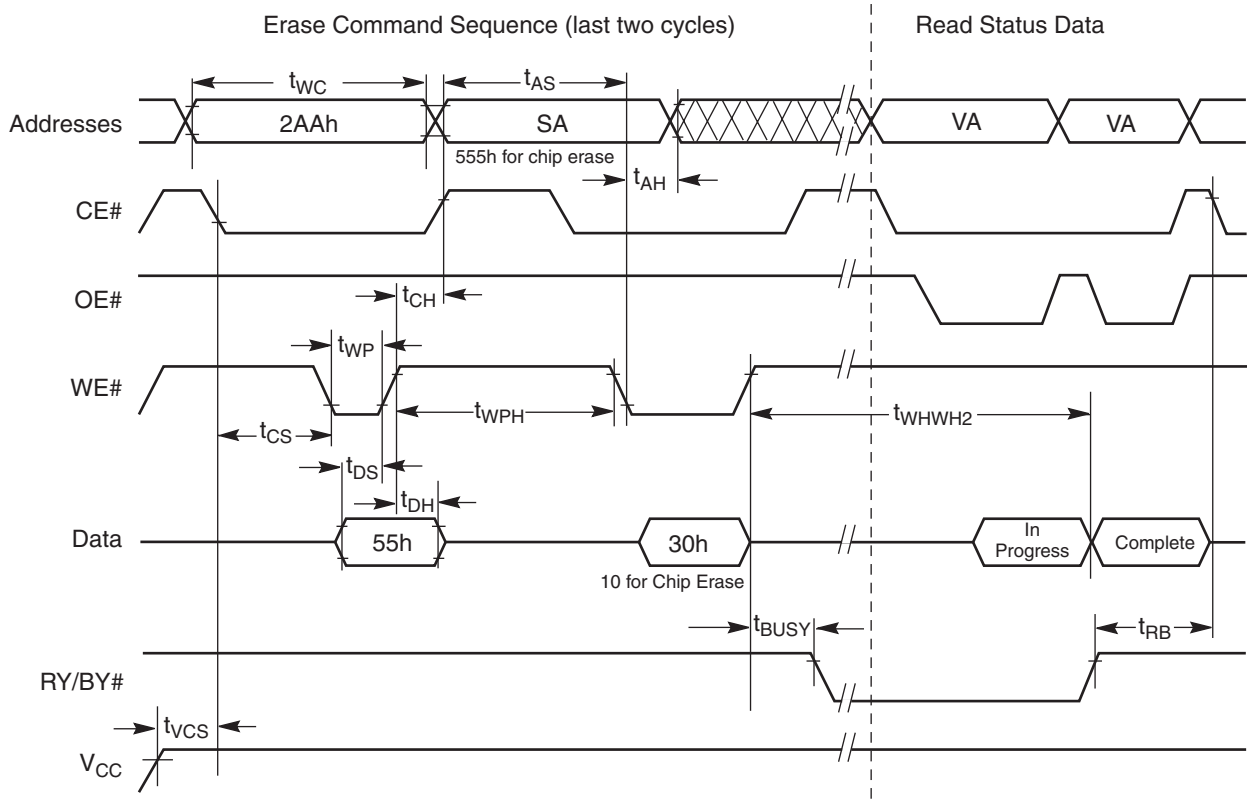


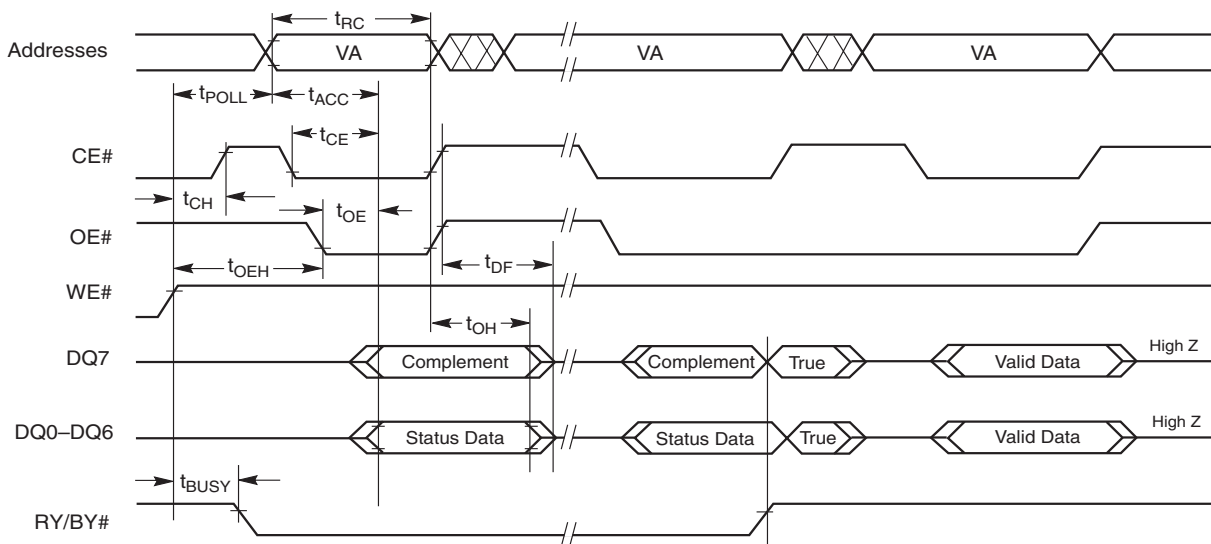
Figure 17. Accelerated Program Timing Diagram



Notes:

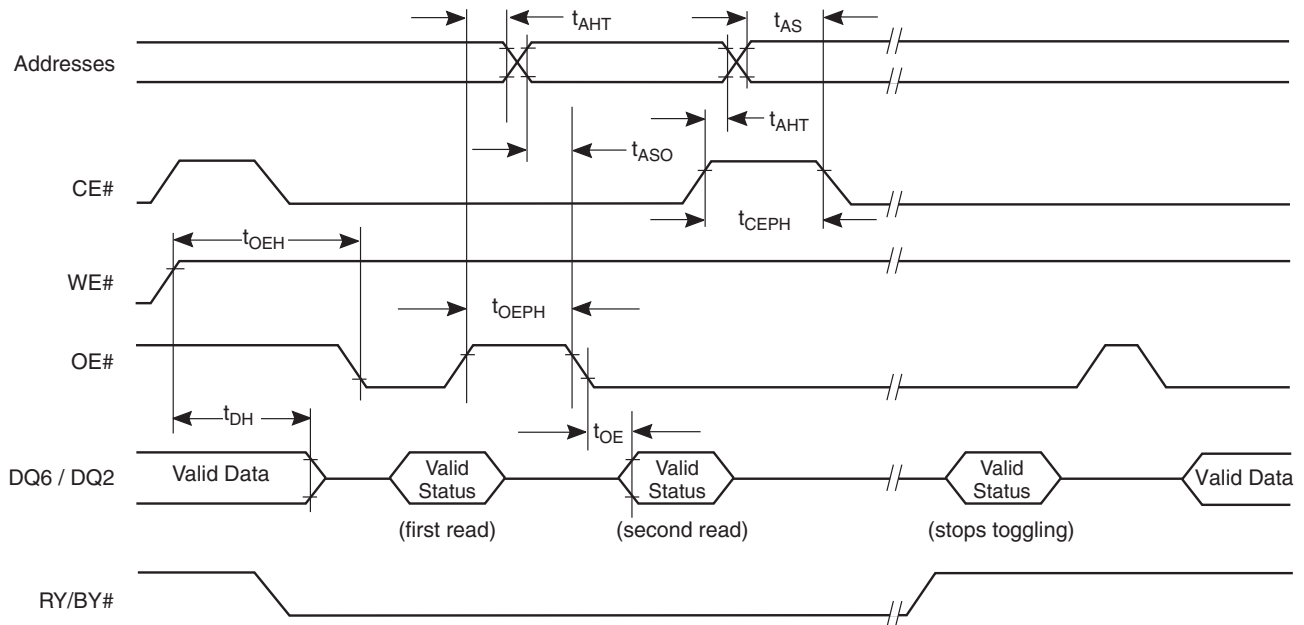
1. SA = sector address (for Sector Erase), VA = Valid Address for reading status data (see "Write Operation Status".)
2. Illustration shows device in word mode.

Figure 18. Chip/Sector Erase Operation Timings



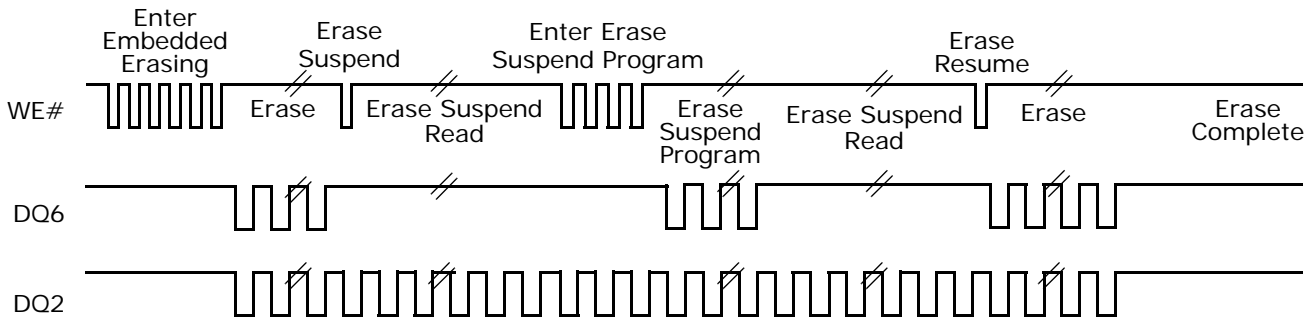
Note: VA = Valid address. Illustration shows first status cycle after command sequence, last status read cycle, and array data read cycle.

Figure 19. Data# Polling Timings (During Embedded Algorithms)



Note: VA = Valid address; not required for DQ6. Illustration shows first two status cycle after command sequence, last status read cycle, and array data read cycle.

Figure 20. Toggle Bit Timings (During Embedded Algorithms)



Note: DQ2 toggles only when read at an address within an erase-suspended sector. The system may use OE# or CE# to toggle DQ2 and DQ6.

Figure 21. DQ2 vs. DQ6

Temporary Sector Unprotect

| Parameter | | Description | | All Speed Options | Unit |
|-----------|------------|--|-----|-------------------|---------|
| JEDEC | Std | | | | |
| | t_{VIDR} | V_{ID} Rise and Fall Time (See Note) | Min | 500 | ns |
| | t_{RSP} | RESET# Setup Time for Temporary Sector Unprotect | Min | 4 | μ s |

Notes:

1. Not 100% tested.

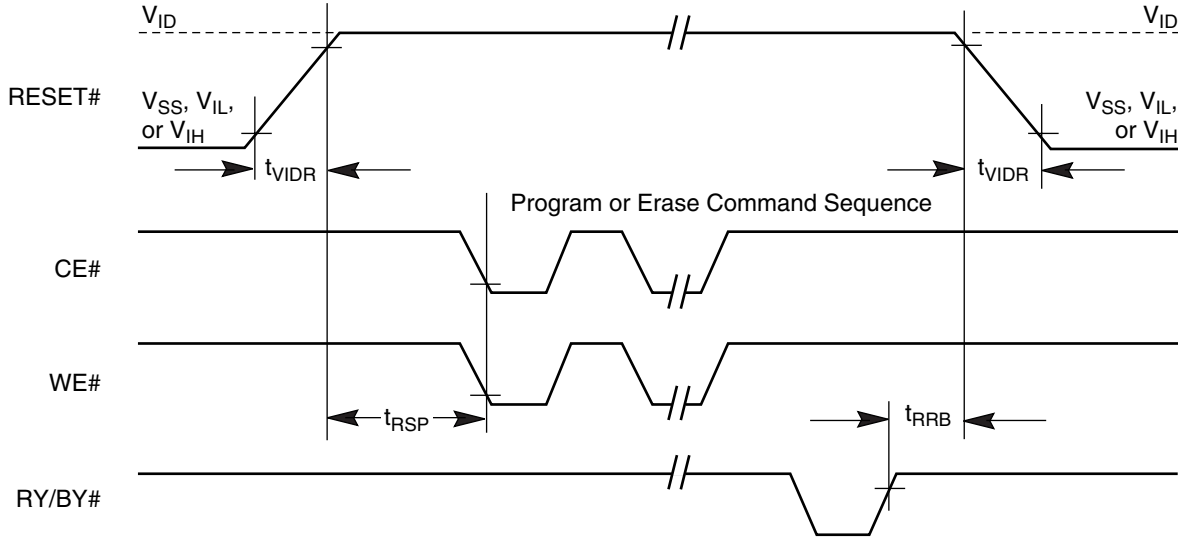
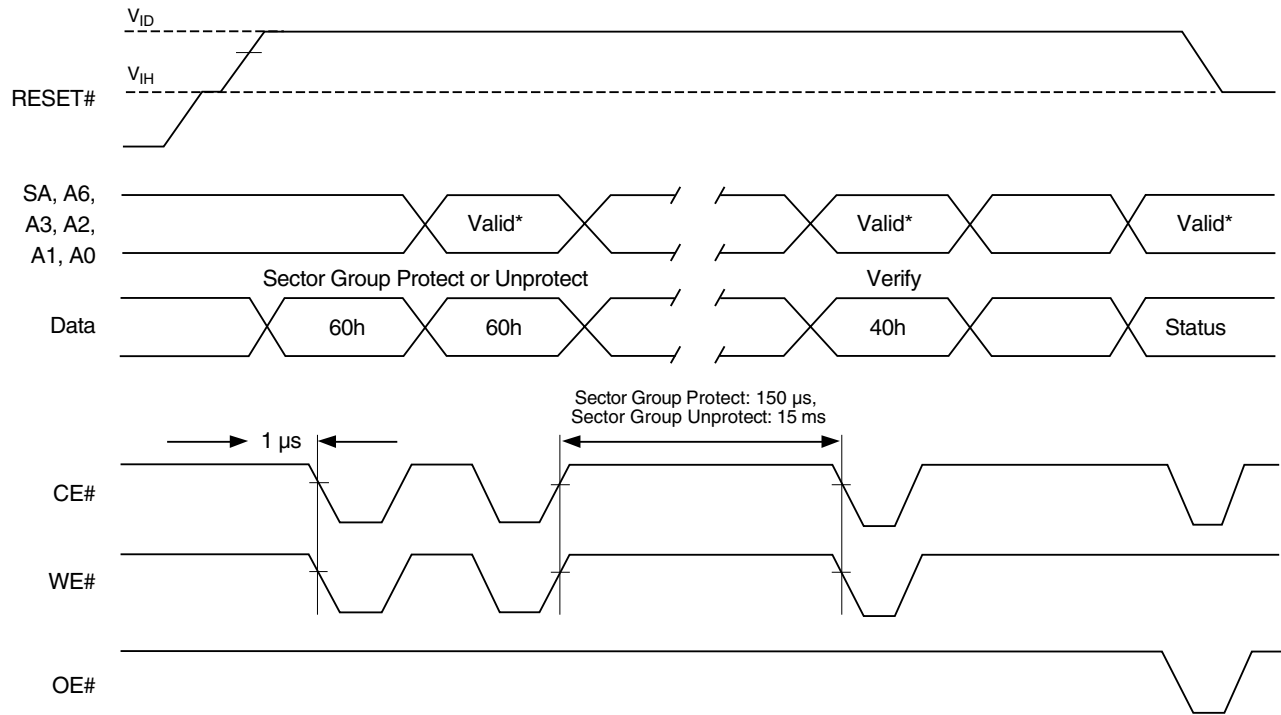


Figure 22. Temporary Sector Group Unprotect Timing Diagram



Note: For sector group protect, A6:A0 = 0xx0010. For sector group unprotect, A6:A0 = 1xx0010.

Figure 23. Sector Group Protect and Unprotect Timing Diagram

AC Characteristics

Alternate CE# Controlled Erase and Program Operations-S29GL064A

| Parameter | | Description | | Speed Options | | | Unit |
|-------------|-------------|---|-----|---------------|-----|-----|---------|
| JEDEC | Std. | | | 90 | 10 | 11 | |
| t_{AVAV} | t_{WC} | Write Cycle Time (Note 1) | Min | 90 | 100 | 110 | ns |
| t_{AVWL} | t_{AS} | Address Setup Time | Min | 0 | | | ns |
| t_{ELAX} | t_{AH} | Address Hold Time | Min | 45 | | | ns |
| t_{DVEH} | t_{DS} | Data Setup Time | Min | 35 | | | ns |
| t_{EHDX} | t_{DH} | Data Hold Time | Min | 0 | | | ns |
| t_{GHEL} | t_{GHEL} | Read Recovery Time Before Write (OE# High to WE# Low) | Min | 0 | | | ns |
| t_{WLEL} | t_{WS} | WE# Setup Time | Min | 0 | | | ns |
| t_{EHWH} | t_{WH} | WE# Hold Time | Min | 0 | | | ns |
| t_{ELEH} | t_{CP} | CE# Pulse Width | Min | 35 | | | ns |
| t_{EHEL} | t_{CPH} | CE# Pulse Width High | Min | 25 | | | ns |
| t_{WHWH1} | t_{WHWH1} | Write Buffer Program Operation (Notes 2, 3) | Typ | 240 | | | μ s |
| | | Single Word Program Operation (Note 2) | Typ | 60 | | | |
| | | Accelerated Single Word Program Operation (Note 2) | Typ | 54 | | | |
| t_{WHWH2} | t_{WHWH2} | Sector Erase Operation (Note 2) | Typ | 0.5 | | | sec |
| | t_{RH} | RESET# High Time Before Write | Min | 50 | | | ns |
| | t_{POLL} | Program Valid before Status Polling (Note 5) | Max | 4 | | | μ s |

Notes:

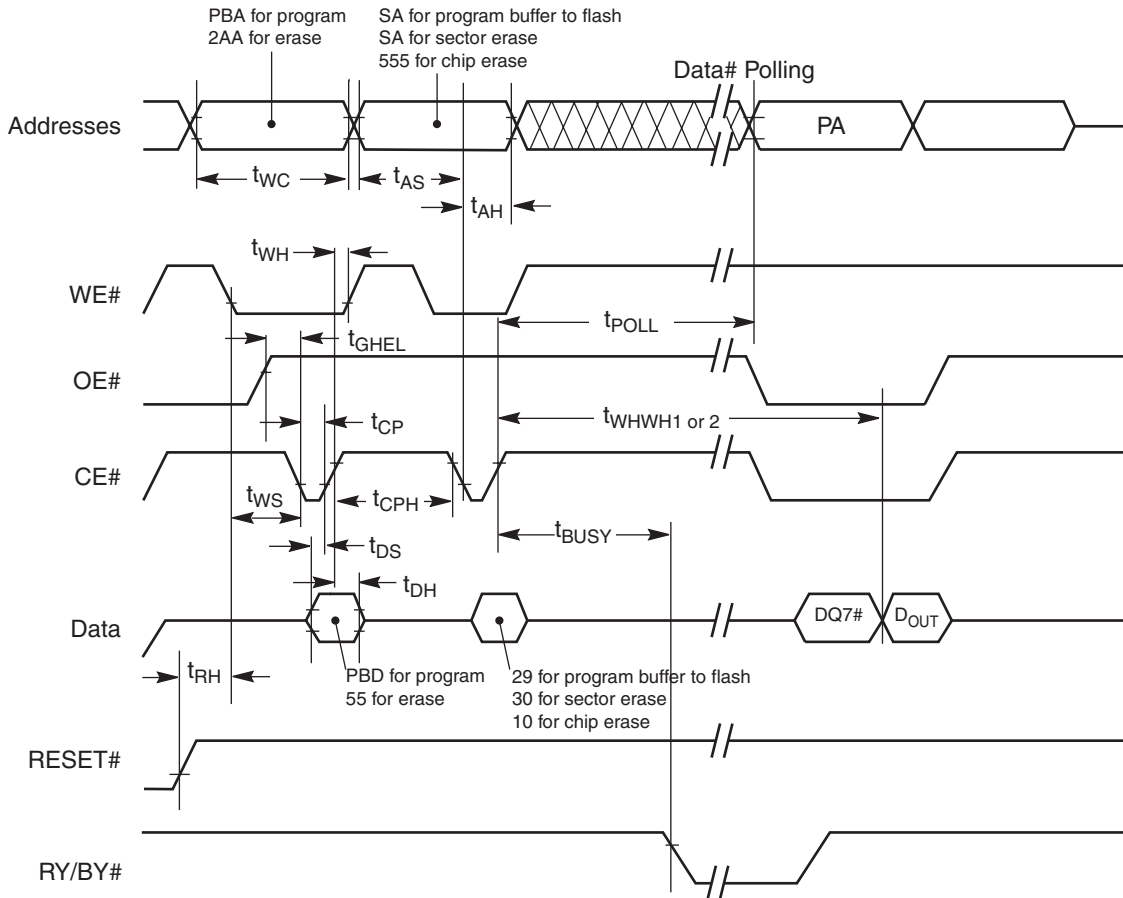
1. Not 100% tested.
2. See the "Erase and Programming Performance" section for more information.
3. For 1–16 words/1–32 bytes programmed.
4. If a program suspend command is issued within t_{POLL} , the device requires t_{POLL} before reading status data, once programming has resumed (that is, the program resume command has been written). If the suspend command was issued after t_{POLL} , status data is available immediately after programming has resumed. See [Figure 24](#).

Alternate CE# Controlled Erase and Program Operations-S29GL032A

| Parameter | | Description | | Speed Options | | | Unit |
|-------------|-------------|---|-----|---------------|-----|-----|---------|
| JEDEC | Std. | | | 90 | 10 | 11 | |
| t_{AVAV} | t_{WC} | Write Cycle Time (Note 1) | Min | 90 | 100 | 110 | ns |
| t_{AVWL} | t_{AS} | Address Setup Time | Min | 0 | | | ns |
| t_{ELAX} | t_{AH} | Address Hold Time | Min | 45 | | | ns |
| t_{DVEH} | t_{DS} | Data Setup Time | Min | 35 | | | ns |
| t_{EHDX} | t_{DH} | Data Hold Time | Min | 0 | | | ns |
| t_{GHLE} | t_{GHLE} | Read Recovery Time Before Write (OE# High to WE# Low) | Min | 0 | | | ns |
| t_{WLEL} | t_{WS} | WE# Setup Time | Min | 0 | | | ns |
| t_{EHWH} | t_{WH} | WE# Hold Time | Min | 0 | | | ns |
| t_{ELEH} | t_{CP} | CE# Pulse Width | Min | 35 | | | ns |
| t_{EHEL} | t_{CPH} | CE# Pulse Width High | Min | 25 | | | ns |
| t_{WHWH1} | t_{WHWH1} | Write Buffer Program Operation (Notes 2, 3) | Typ | 240 | | | μ s |
| | | Single Word Program Operation (Note 2) | Typ | 60 | | | |
| | | Accelerated Single Word Program Operation (Note 2) | Typ | 54 | | | |
| t_{WHWH2} | t_{WHWH2} | Sector Erase Operation (Note 2) | Typ | 0.5 | | | sec |
| | t_{RH} | RESET# High Time Before Write | Min | 50 | | | ns |
| | t_{POLL} | Program Valid before Status Polling (Note 4) | Max | 4 | | | μ s |

Notes:

1. Not 100% tested.
2. See ["Erase And Programming Performance"](#) for more information
3. For 1–16 words/1–32 bytes programmed.
4. If a program suspend command is issued within t_{POLL} , the device requires t_{POLL} before reading status data, once programming resumes (that is, the program resume command has been written). If the suspend command was issued after t_{POLL} , status data is available immediately after programming resumes. See [Figure 24](#).



Notes:

1. Figure indicates last two bus cycles of a program or erase operation.
2. PA = program address, SA = sector address, PD = program data.
3. $DQ7\#$ is the complement of the data written to the device. D_{OUT} is the data written to the device.
4. Illustration shows device in word mode.

Figure 24. Alternate CE# Controlled Write (Erase/Program) Operation Timings

Erase And Programming Performance

| Parameter | | Typ (Note 1) | Max (Note 2) | Unit | Comments |
|--|-----------|--------------|--------------|------|--|
| Sector Erase Time | | 0.5 | 3.5 | sec | Excludes 00h programming prior to erasure (Note 6) |
| Chip Erase Time | S29GL032A | 32 | 64 | | |
| | S29GL064A | 64 | 128 | | |
| Total Write Buffer Program Time (Notes 3, 5) | | 240 | | µs | Excludes system level overhead (Note 7) |
| Total Accelerated Effective Write Buffer Program Time (Notes 4, 5) | | 200 | | µs | |
| Chip Program Time | S29GL032A | 31.5 | | sec | |
| | S29GL064A | 63 | | | |

Notes:

1. Typical program and erase times assume the following conditions: 25°C, $V_{CC} = 3.0V$, 10,000 cycles; checkerboard data pattern.
2. Under worst case conditions of 90°C; Worst case V_{CC} , 100,000 cycles.
3. Effective programming time (typ) is 15 µs (per word), 7.5 µs (per byte).
4. Effective accelerated programming time (typ) is 12.5 µs (per word), 6.3 µs (per byte).
5. Effective write buffer specification is calculated on a per-word/per-byte basis for a 16-word/32-byte write buffer operation.
6. In the pre-programming step of the Embedded Erase algorithm, all bits are programmed to 00h before erasure.
7. System-level overhead is the time required to execute the command sequence(s) for the program command. See Tables 25 and 26 for further information on command definitions.

TSOP Pin and BGA Package Capacitance

| Parameter Symbol | Parameter Description | Test Setup | Typ | Max | Unit | |
|------------------|-------------------------|---------------|------|-----|------|----|
| C_{IN} | Input Capacitance | $V_{IN} = 0$ | TSOP | 6 | 7.5 | pF |
| | | | BGA | 4.2 | 5.0 | pF |
| C_{OUT} | Output Capacitance | $V_{OUT} = 0$ | TSOP | 8.5 | 12 | pF |
| | | | BGA | 5.4 | 6.5 | pF |
| C_{IN2} | Control Pin Capacitance | $V_{IN} = 0$ | TSOP | 7.5 | 9 | pF |
| | | | BGA | 3.9 | 4.7 | pF |

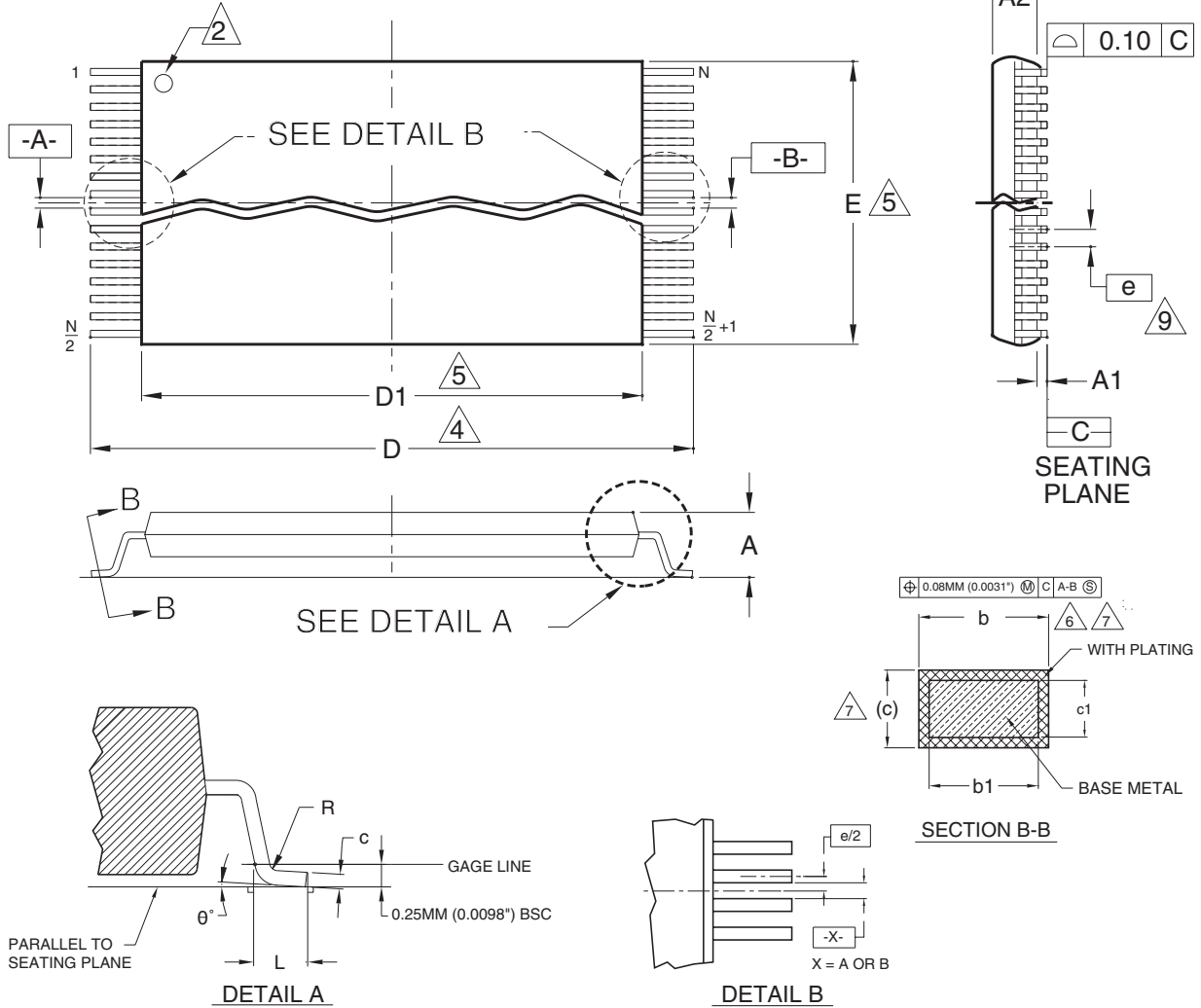
Notes:

1. Sampled, not 100% tested.
2. Test conditions $T_A = 25^\circ\text{C}$, $f = 1.0\text{ MHz}$.

Physical Dimensions

TS048—48-Pin Standard Thin Small Outline Package (TSOP)

STANDARD PIN OUT (TOP VIEW)



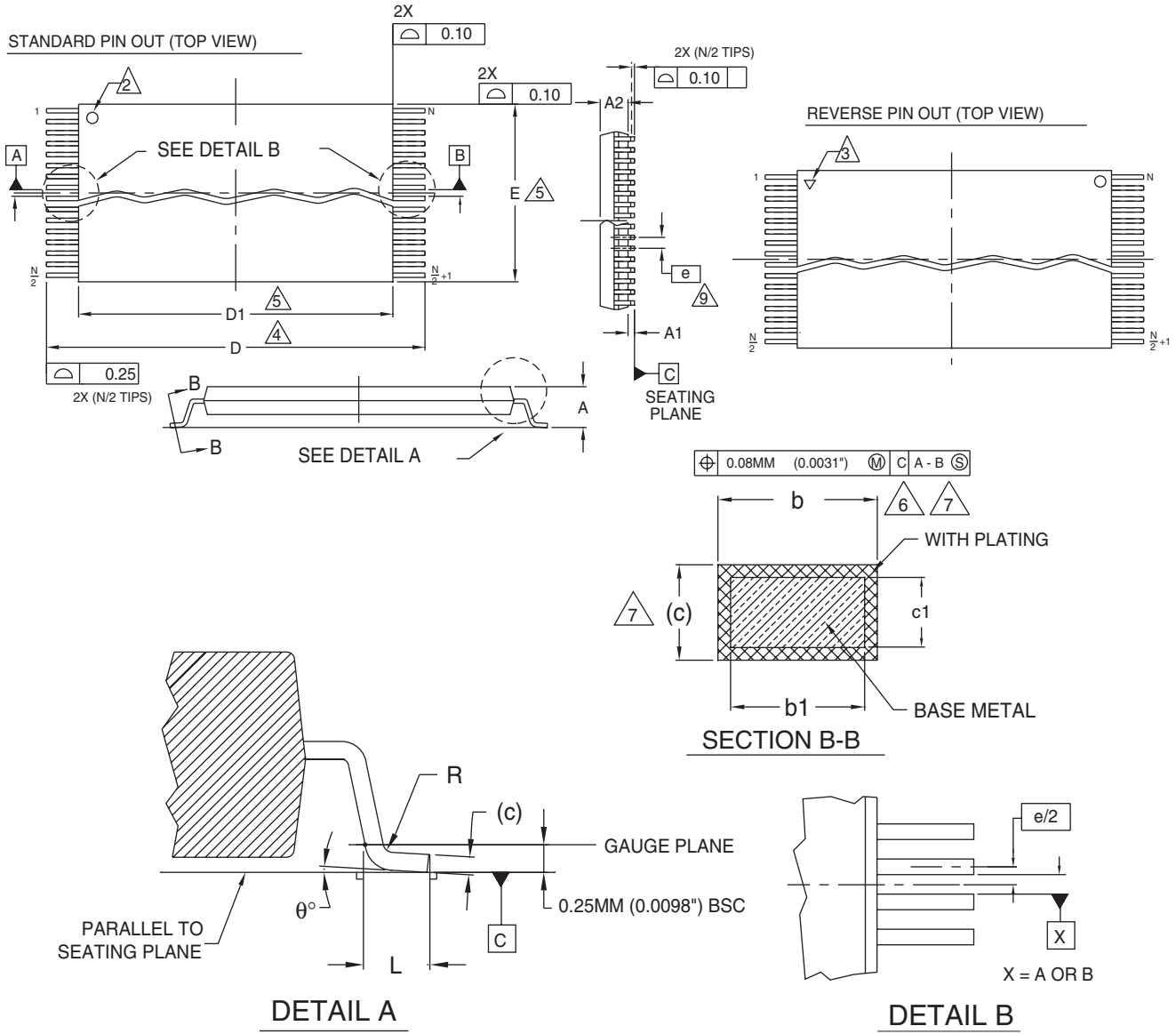
| Package | TS 048 | | |
|---------|---------------|-------|-------|
| Jedec | MO-142 (B) EC | | |
| Symbol | MIN | NOM | MAX |
| A | — | — | 1.20 |
| A1 | 0.05 | — | 0.15 |
| A2 | 0.95 | 1.00 | 1.05 |
| b1 | 0.17 | 0.20 | 0.23 |
| b | 0.17 | 0.22 | 0.27 |
| c1 | 0.10 | — | 0.16 |
| c | 0.10 | — | 0.21 |
| D | 19.80 | 20.00 | 20.20 |
| D1 | 18.30 | 18.40 | 18.50 |
| E | 11.90 | 12.00 | 12.10 |
| e | 0.50 BASIC | | |
| L | 0.50 | 0.60 | 0.70 |
| 0 | 0° | 3° | 5° |
| R | 0.08 | — | 0.20 |
| N | 48 | | |

NOTES:

- ① CONTROLLING DIMENSIONS ARE IN MILLIMETERS (MM). (DIMENSIONING AND TOLERANCING CONFORMS TO ANSI Y14.5M-1982)
- ② PIN 1 IDENTIFIER FOR STANDARD PIN OUT (DIE UP).
- ③ NOT APPLICABLE.
- ④ TO BE DETERMINED AT THE SEATING PLANE [C-C]. THE SEATING PLANE IS DEFINED AS THE PLANE OF CONTACT THAT IS MADE WHEN THE PACKAGE LEADS ARE ALLOWED TO REST FREELY ON A FLAT HORIZONTAL SURFACE.
- ⑤ DIMENSIONS D1 AND E DO NOT INCLUDE MOLD PROTRUSION. ALLOWABLE MOLD PROTRUSION IS 0.15MM (.0059") PER SIDE.
- ⑥ DIMENSION b DOES NOT INCLUDE DAMBAR PROTRUSION. ALLOWABLE DAMBAR PROTRUSION SHALL BE 0.08 (0.0031") TOTAL IN EXCESS OF b DIMENSION AT MAX. MATERIAL CONDITION. MINIMUM SPACE BETWEEN PROTRUSION AND AN ADJACENT LEAD TO BE 0.07 (0.0028").
- ⑦ THESE DIMENSIONS APPLY TO THE FLAT SECTION OF THE LEAD BETWEEN 0.10MM (.0039") AND 0.25MM (0.0098") FROM THE LEAD TIP.
- ⑧ LEAD COPLANARITY SHALL BE WITHIN 0.10MM (0.004") AS MEASURED FROM THE SEATING PLANE.
- ⑨ DIMENSION "e" IS MEASURED AT THE CENTERLINE OF THE LEADS.

3325 \ 16-038 10a

TS056—56-Pin Standard Thin Small Outline Package (TSOP)

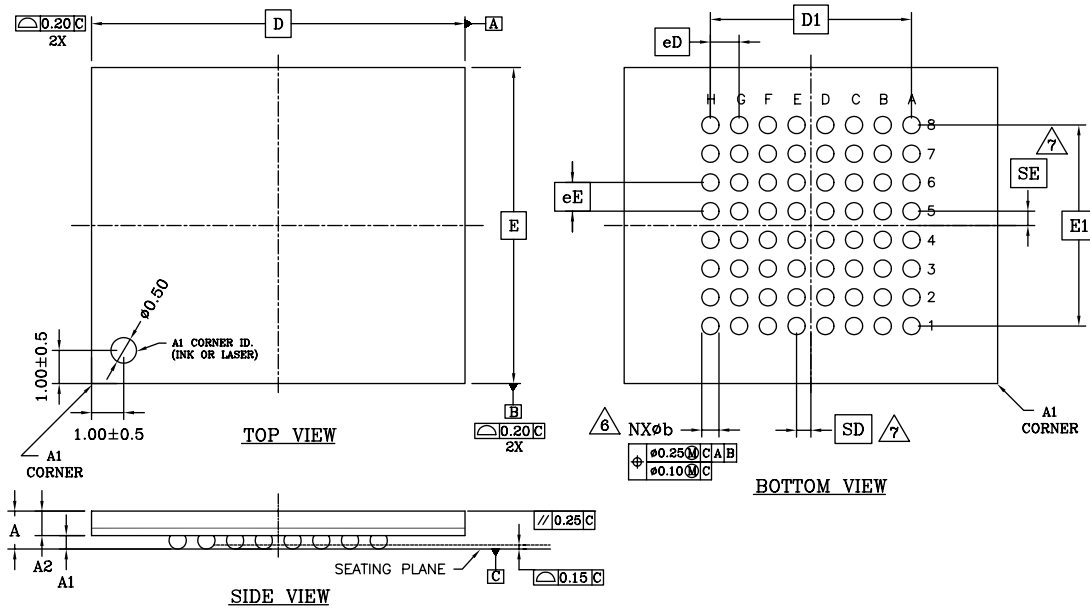


| Package | TS 056 | | |
|---------|---------------|-------|-------|
| Jedec | MO-142 (D) EC | | |
| Symbol | MIN | NOM | MAX |
| A | — | — | 1.20 |
| A1 | 0.05 | — | 0.15 |
| A2 | 0.95 | 1.00 | 1.05 |
| b1 | 0.17 | 0.20 | 0.23 |
| b | 0.17 | 0.22 | 0.27 |
| c1 | 0.10 | — | 0.16 |
| c | 0.10 | — | 0.21 |
| D | 19.80 | 20.00 | 20.20 |
| D1 | 18.30 | 18.40 | 18.50 |
| E | 13.90 | 14.00 | 14.10 |
| e | 0.50 BASIC | | |
| L | 0.50 | 0.60 | 0.70 |
| θ | 0° | — | 8° |
| R | 0.08 | — | 0.20 |
| N | 56 | | |

- NOTES:
- ① CONTROLLING DIMENSIONS ARE IN MILLIMETERS (mm). (DIMENSIONING AND TOLERANCING CONFORMS TO ANSI Y14.5M-1982)
 - ② PIN 1 IDENTIFIER FOR REVERSE PIN OUT (DIE UP).
 - ③ PIN 1 IDENTIFIER FOR REVERSE PIN OUT (DIE DOWN), INK OR LASER MARK.
 - ④ TO BE DETERMINED AT THE SEATING PLANE [C]. THE SEATING PLANE IS DEFINED AS THE PLANE OF CONTACT THAT IS MADE WHEN THE PACKAGE LEADS ARE ALLOWED TO REST FREELY ON A FLAT HORIZONTAL SURFACE.
 - ⑤ DIMENSIONS D1 AND E DO NOT INCLUDE MOLD PROTRUSION. ALLOWABLE MOLD PROTRUSION IS 0.15mm (.0059") PER SIDE.
 - ⑥ DIMENSION b DOES NOT INCLUDE DAMBAR PROTRUSION. ALLOWABLE DAMBAR PROTRUSION SHALL BE 0.08 (0.0031") TOTAL IN EXCESS OF b DIMENSION AT MAX. MATERIAL CONDITION. MINIMUM SPACE BETWEEN PROTRUSION AND AN ADJACENT LEAD TO BE 0.07 (0.0028").
 - ⑦ THESE DIMENSIONS APPLY TO THE FLAT SECTION OF THE LEAD BETWEEN 0.10MM (.0039") AND 0.25MM (0.0098") FROM THE LEAD TIP.
 - ⑧ LEAD COPLANARITY SHALL BE WITHIN 0.10mm (0.004") AS MEASURED FROM THE SEATING PLANE.
 - ⑨ DIMENSION "e" IS MEASURED AT THE CENTERLINE OF THE LEADS.

3356 \ 16-038.10c

LAA064—64-Ball Fortified Ball Grid Array (BGA)

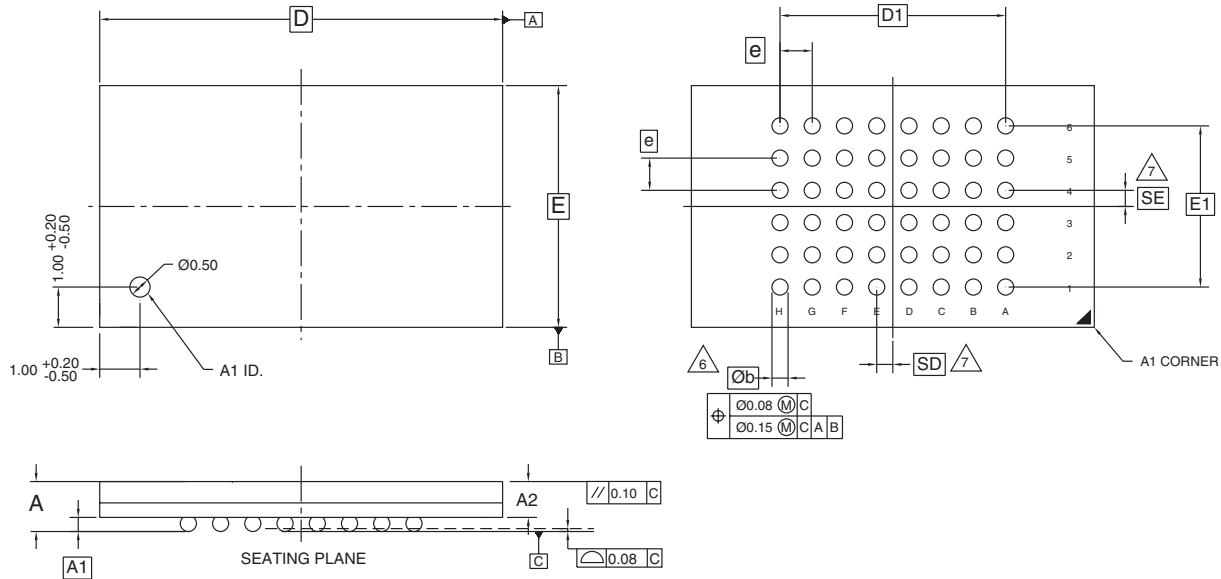


| PACKAGE | LAA 064 | | | |
|---------|------------------------|------|------|--------------------------|
| JEDEC | N/A | | | |
| | 13.00x11.00 mm PACKAGE | | | |
| SYMBOL | MIN. | NOM. | MAX. | NOTE |
| A | — | — | 1.40 | PROFILE HEIGHT |
| A1 | 0.40 | — | — | STANDOFF |
| A2 | 0.60 | — | — | BODY THICKNESS |
| D | 13.00 BSC. | | | BODY SIZE |
| E | 11.00 BSC. | | | BODY SIZE |
| D1 | 7.00 BSC. | | | MATRIX FOOTPRINT |
| E1 | 7.00 BSC. | | | MATRIX FOOTPRINT |
| MD | 8 | | | MATRIX SIZE D DIRECTION |
| ME | 8 | | | MATRIX SIZE E DIRECTION |
| N | 64 | | | BALL COUNT |
| φb | 0.50 | 0.60 | 0.70 | BALL DIAMETER |
| eD | 1.00 BSC. | | | BALL PITCH - D DIRECTION |
| eE | 1.00 BSC. | | | BALL PITCH - E DIRECTION |
| SD/SE | 0.50 BSC. | | | SOLDER BALL PLACEMENT |
| | A1—A8, K1—K8 | | | DEPOPULATED SOLDER BALLS |

NOTES:

- DIMENSIONING AND TOLERANCING METHODS PER ASME Y14.5M-1994 .
- ALL DIMENSIONS ARE IN MILLIMETERS .
- BALL POSITION DESIGNATION PER JESD 95-1, SPP-010 (EXCEPT AS NOTED).
- REPRESENTS THE SOLDER BALL GRID PITCH .
- SYMBOL "MD" IS THE BALL MATRIX SIZE IN THE "D" DIRECTION.
SYMBOL "ME" IS THE BALL COLUMN MATRIX SIZE IN THE "E" DIRECTION.
N IS THE NUMBER OF POPULATED SOLDER BALL POSITIONS FOR MATRIX SIZE MD X ME.
- △ DIMENSION "b" IS MEASURED AT THE MAXIMUM BALL DIAMETER IN A PLANE PARALLEL TO DATUM "C".
- △ SD AND SE ARE MEASURED WITH RESPECT TO DATUMS A AND B AND DEFINE THE POSITION OF THE CENTER SOLDER BALL IN THE OUTER ROW.
WHEN THERE IS AN ODD NUMBER OF SOLDER BALLS IN THE OUTER ROW, SD OR SE = 0.000.
WHEN THERE IS AN EVEN NUMBER OF SOLDER BALLS IN THE OUTER ROW, SD OR SE = $\frac{e}{2}$
- "X" IN THE PACKAGE VARIATIONS DENOTES PART IS UNDER QUALIFICATION.
- "+" INDICATES THE THEORETICAL CENTER OF DEPOPULATED BALLS.

VBN048—48-Ball Fine-pitch Ball Grid Array (BGA) 10x 6 mm Package



| PACKAGE | VBN 048 | | | |
|---------|--------------------------------|-----|------|-----------------------------|
| JEDEC | N/A | | | |
| | 10.00 mm x 6.00 mm NOM PACKAGE | | | |
| SYMBOL | MIN | NOM | MAX | NOTE |
| A | --- | --- | 1.00 | OVERALL THICKNESS |
| A1 | 0.17 | --- | --- | BALL HEIGHT |
| A2 | 0.62 | --- | 0.73 | BODY THICKNESS |
| D | 10.00 BSC. | | | BODY SIZE |
| E | 6.00 BSC. | | | BODY SIZE |
| D1 | 5.60 BSC. | | | BALL FOOTPRINT |
| E1 | 4.00 BSC. | | | BALL FOOTPRINT |
| MD | 8 | | | ROW MATRIX SIZE D DIRECTION |
| ME | 6 | | | ROW MATRIX SIZE E DIRECTION |
| N | 48 | | | TOTAL BALL COUNT |
| φb | 0.35 | --- | 0.45 | BALL DIAMETER |
| e | 0.80 BSC. | | | BALL PITCH |
| SD / SE | 0.40 BSC. | | | SOLDER BALL PLACEMENT |
| | NONE | | | DEPOPULATED SOLDER BALLS |

NOTES:

- DIMENSIONING AND TOLERANCING PER ASME Y14.5M-1994.
- ALL DIMENSIONS ARE IN MILLIMETERS.
- BALL POSITION DESIGNATION PER JESD 95-1, SPP-010 (EXCEPT AS NOTED).
- e REPRESENTS THE SOLDER BALL GRID PITCH.
- SYMBOL "MD" IS THE BALL ROW MATRIX SIZE IN THE "D" DIRECTION.
SYMBOL "ME" IS THE BALL COLUMN MATRIX SIZE IN THE "E" DIRECTION.
N IS THE TOTAL NUMBER OF SOLDER BALLS.
- 6 DIMENSION "b" IS MEASURED AT THE MAXIMUM BALL DIAMETER IN A PLANE PARALLEL TO DATUM C.
- 7 SD AND SE ARE MEASURED WITH RESPECT TO DATUMS A AND B AND DEFINE THE POSITION OF THE CENTER SOLDER BALL IN THE OUTER ROW.
WHEN THERE IS AN ODD NUMBER OF SOLDER BALLS IN THE OUTER ROW PARALLEL TO THE D OR E DIMENSION, RESPECTIVELY, SD OR SE = 0.000.
WHEN THERE IS AN EVEN NUMBER OF SOLDER BALLS IN THE OUTER ROW, SD OR SE = e/2
- NOT USED.
- "+" INDICATES THE THEORETICAL CENTER OF DEPOPULATED BALLS.
- 10 A1 CORNER TO BE IDENTIFIED BY CHAMFER, LASER OR INK MARK, METALLIZED MARK INDENTATION OR OTHER MEANS.

3425/16-038.25

Revision Summary

Revision A (October 13, 2004)

Initial Release.

Revision A1 (December 17, 2004)

Secured Silicon Sector Flash Memory Region

Updated Secured Silicon Sector address table with addresses in x8-mode.

DC Characteristics (CMOS Compatible)

I_{LIT} re-specified over temperature.

Corrected WP#/ACC input load current footnote.

Revision A2 (January 28, 2005)

Global

Added S29GL032A information.

Colophon

The products described in this document are designed, developed and manufactured as contemplated for general use, including without limitation, ordinary industrial use, general office use, personal use, and household use, but are not designed, developed and manufactured as contemplated (1) for any use that includes fatal risks or dangers that, unless extremely high safety is secured, could have a serious effect to the public, and could lead directly to death, personal injury, severe physical damage or other loss (i.e., nuclear reaction control in nuclear facility, aircraft flight control, air traffic control, mass transport control, medical life support system, missile launch control in weapon system), or (2) for any use where chance of failure is intolerable (i.e., submersible repeater and artificial satellite). Please note that Spansion will not be liable to you and/or any third party for any claims or damages arising in connection with above-mentioned uses of the products. Any semiconductor devices have an inherent chance of failure. You must protect against injury, damage or loss from such failures by incorporating safety design measures into your facility and equipment such as redundancy, fire protection, and prevention of over-current levels and other abnormal operating conditions. If any products described in this document represent goods or technologies subject to certain restrictions on export under the Foreign Exchange and Foreign Trade Law of Japan, the US Export Administration Regulations or the applicable laws of any other country, the prior authorization by the respective government entity will be required for export of those products.

Trademarks and Notice

The contents of this document are subject to change without notice. This document may contain information on a Spansion product under development by Spansion LLC. Spansion LLC reserves the right to change or discontinue work on any product without notice. The information in this document is provided as is without warranty or guarantee of any kind as to its accuracy, completeness, operability, fitness for particular purpose, merchantability, non-infringement of third-party rights, or any other warranty, express, implied, or statutory. Spansion LLC assumes no liability for any damages of any kind arising out of the use of the information in this document.

Copyright © 2004-2005 Spansion LLC. All rights reserved. Spansion, the Spansion logo, MirrorBit, combinations thereof, and ExpressFlash are trademarks of Spansion LLC. Other company and product names used in this publication are for identification purposes only and may be trademarks of their respective companies.