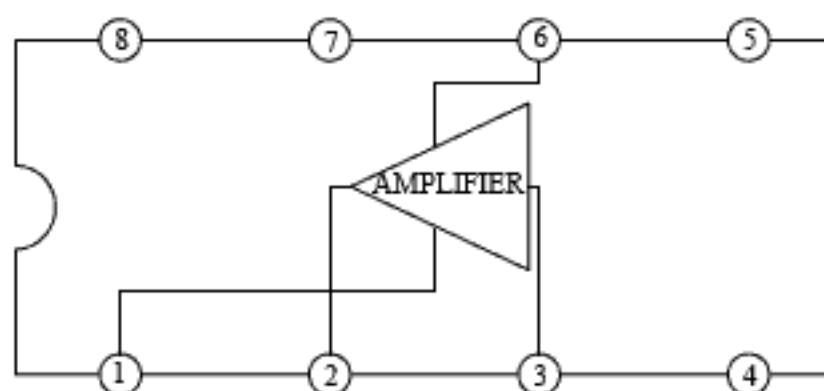


TV VERTICAL POWER OUTPUT CIRCUIT • YD7231**DESCRIPTION**

The YD7231 is a monolithic integrated circuit designed as a TV vertical power output circuit in small screen sized televisions. When combined with YD5151, a suitable vertical deflection circuit can be constructed.

FEATURES

- *Operating voltage 1.8 To 15V
- *Low quiescent current
- *High power capability
- *Low crossover distortion
- *Soft clipping

BLOCK DIAGRAM**WuXi YouDa Electronics Co., Ltd**

Add: No.5 Xijin Road, National Hi-Tech Industrial Development Zone, Wuxi Jiangsu China

Tel: 86-510-5205117 86-510-5205108 Fax: 86-510-5205110 Website: www.e-youda.com

SHENZHEN OFFICE Tel: •86-755-83740369 13823533350 Fax• •86-755-83741418

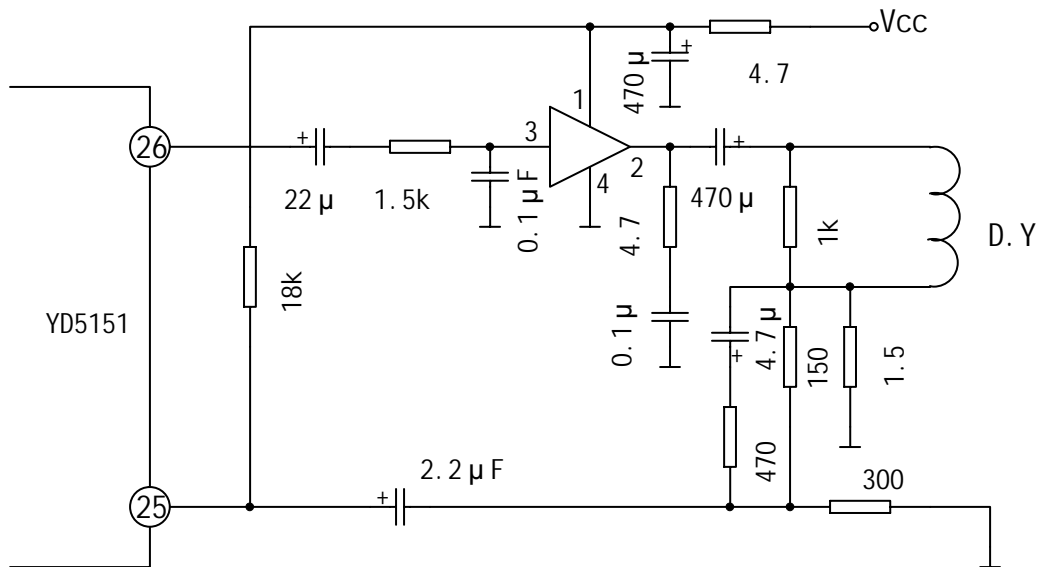
ABSOLUTE MAXIMUM RATINGS ($T_{amb}=25^{\circ}$)

PARAMETER	SYMBOL	VALUE	UNIT
Supply Voltage	V_{cc}	16	V
Output Peak Current	P_D	1	A
Total Power Dissipation	P_t	4 to 1.25	W
Junction Temperature	T_j	-40 to +150	• •
Storage Temperature	T_{stg}	-40 to +150	• •

ELECTRICAL CHARACTERISTICS ($T_{amb}=25^{\circ}$; Unless otherwise specified)

PARAMETER	SYMBOL	TEST CONDITIONS	MIN	TYP	MAX	UNIT
Quiescent Circuit Voltage	V_o	$V_{cc}=3V$		1.2		V
					2.7	
Input Bias Current	I_B			100		nA
Supply Voltage	V_{cc}		1.8		15	V
Quiescent Current	I_{cc}			3.6	9	mA
Saturation Voltage	V_{sat1}	$I_o=100mA$			0.5	V
	V_{sat2}	$I_o=-100mA$			1	
Distortion	THD	$P_o=0.2W, R_o=8^{\circ}$; $f=1kHz$		0.3		%
Close Loop Voltage Gain	A_v	$f=1kHz$		38		dB
Input Resistance	Z_i	$f=1kHz$	100			k• •
Input Noise Voltage	V_{ni}	$R_s=10k^{\circ}$;		2		• V
		$R_s=10k^{\circ}$; BPF=22Hz~22kHz		3		
Ripple Rejection	S_{rip}		24	30		dB

APPLICATION CIRCUIT



OUTLINE DRAWING

DIP-8

unit:mm

