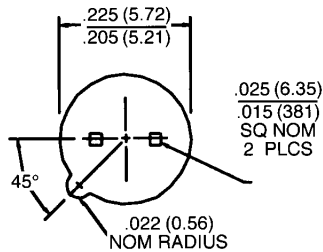
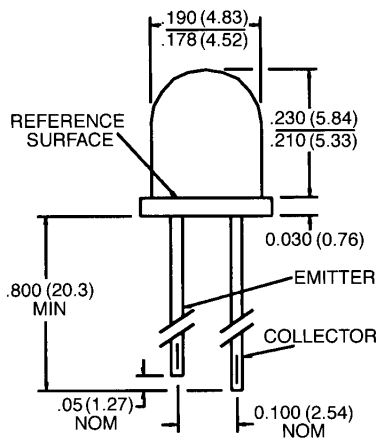




## PLASTIC SILICON PHOTOTRANSISTOR

**QSD422/423/424**

### PACKAGE DIMENSIONS



ST2145

### DESCRIPTION

The QSD42X is a silicon phototransistor encapsulated in an infrared transparent, black TO-18 package.

### FEATURES

- Tight production distribution.
- Steel lead frames for improved reliability in solder mounting.
- Good optical-to-mechanical alignment.
- Narrow reception angle.
- Plastic package is infrared transparent black to attenuate visible light.
- Mechanically and spectrally matched to the QED423/523 LED.
- Black plastic body allows easy recognition from LED.

#### NOTES:

1. DIMENSIONS ARE IN INCHES (mm).
2. TOLERANCE IS  $\pm .010 (.25)$  UNLESS OTHERWISE SPECIFIED.
3. TAB DENOTES EMITTER.



## PLASTIC SILICON PHOTOTRANSISTOR

### ABSOLUTE MAXIMUM RATINGS ( $T_A = 25^\circ\text{C}$ Unless Otherwise Specified)

Storage Temperature .....	-40°C to + 100°C
Operating Temperature .....	-40°C to + 100°C
Soldering:	
Lead Temperature (Iron) .....	240°C for 5 sec. <sup>(4,5)</sup>
Lead Temperature (Flow) .....	260°C for 10 sec. <sup>(2,5)</sup>
Collector-Emitter Breakdown Voltage .....	30 Volts
Emitter-Collector Breakdown Voltage .....	5.0 Volts
Power Dissipation .....	100 mW <sup>(1)</sup>

### ELECTRICAL CHARACTERISTICS ( $T_A = 25^\circ\text{C}$ Unless Otherwise Specified)

(All measurements made under pulse conditions.)

PARAMETER	SYMBOL	MIN.	TYP.	MAX.	UNITS	TEST CONDITIONS
Collector-Emitter Breakdown	$BV_{CEO}$	30	—	—	V	$I_C = 1.0 \text{ mA}$
Emitter-Collector Breakdown	$BV_{ECO}$	5.0	—	—	V	$I_E = 100 \mu\text{A}$
Collector-Emitter Leakage	$I_{CEO}$	—	—	100	nA	$V_{CE} = 10 \text{ V}$
Reception Angle at ½ Sensitivity	$\theta$	—	$\pm 35$	—	Degrees	
On-State Collector Current QSD422	$I_{C(ON)}$	0.3	—	1.8	mA	$E_e = 0.5 \text{ mW/cm}^2, V_{CE} = 5\text{V}^{(6)}$
On-State Collector Current QSD423	$I_{C(ON)}$	1.2	—	4.8	mA	$E_e = 0.5 \text{ mW/cm}^2, V_{CE} = 5\text{V}^{(6)}$
On-State Collector Current QSD424	$I_{C(ON)}$	1.8	—	—	mA	$E_e = 0.5 \text{ mW/cm}^2, V_{CE} = 5\text{V}^{(6)}$
Rise Time	$t_r$	—	8.0	—	$\mu\text{S}$	$I_C = .2 \text{ mA}, V_{CC} = 5 \text{ V}, R_L = 100\Omega$
Fall Time	$t_f$	—	8.0	—	$\mu\text{S}$	$I_C = .2 \text{ mA}, V_{CC} = 5 \text{ V}, R_L = 100\Omega$
Saturation Voltage	$V_{CE(SAT)}$	—	—	0.40	V	$I_C = 0.15 \text{ mA}, E_e = 0.5 \text{ mW/cm}^2^{(6)}$

### NOTES

1. Derate power dissipation linearly 1.33 mW/°C above 25°C.
2. RMA flux is recommended.
3. Methanol or Isopropyl alcohols are recommended as cleaning agents.
4. Soldering iron tip 1/16" (1.6 mm) minimum from housing.
5. As long as leads are not under any stress or spring tension.
6. Light source is an AlGaAs LED emitting light at a peak wavelength of 880 nm.