

**Low Noise Amplifier  
1.575 GHz**

**AM50-0002**

**V8**

**Features**

- Low Noise Figure: 1.15 dB
- High Gain: 27 dB
- Low Power Consumption: 5V, 20 mA
- High Dynamic Range
- SOIC-8 Package

**Description**

M/A-COM's AM50-0002 is a high performance GaAs MMIC low noise amplifier in a SOIC 8-lead surface mount plastic package. The AM50-0002 employs a monolithic 3-stage self-bias design and a simple external matching network to obtain minimum noise figure.

The AM50-0002 is ideally suited for use where low noise figure, high gain, high dynamic range and low power consumption are required. Typical applications include receiver front ends in the Global Positioning System (GPS) market, as well as standard gain blocks, buffer amps, driver amps, and IF amps in both fixed and portable systems.

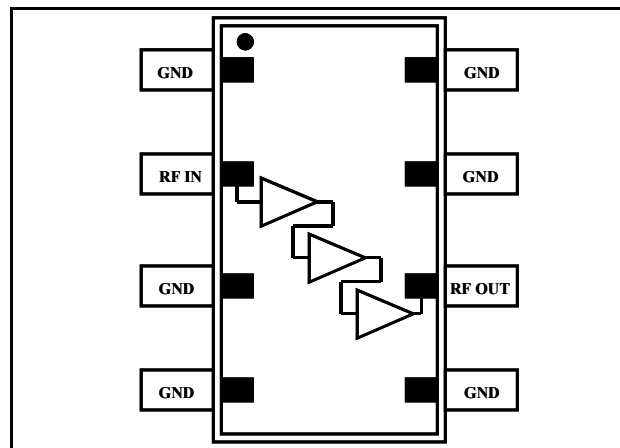
M/A-COM'S AM50-0002 is fabricated using a mature 0.5-micron gate length GaAs process. The process features full passivation for increased performance reliability.

**Ordering Information**

Part Number	Package
AM50-0002	Bulk Packaging
AM50-0002TR-3000	3000 piece reel
AM50-0002SMB	Sample Test Board (Includes 5 Samples)

Note: Reference Application Note M513 for reel size information.

**Functional Diagram**



**Pin Configuration <sup>1,2,3</sup>**

Pin No.	Pin Name	Description
1	GND	Ground
2	RF IN	RF Input
3	GND	Ground
4	GND	Ground
5	GND	Ground
6	RF OUT	RF Output, V <sub>DD</sub>
7	GND	Ground
8	GND	Ground

1. Pins 1, 3, 4, 5, 7, and 8 must be RF and DC grounded (see Recommended PCB Configuration).
2. Pin 2 is the RF input and must be connected to the simple matching network shown in the Application Schematic.
3. Pin 6 is the RF output. V<sub>DD</sub> is also applied on Pin 6.

**Absolute Maximum Ratings <sup>4,5</sup>**

Parameter	Absolute Maximum
V <sub>DD</sub>	+10 VDC
Input Power	17 dBm
Channel Temperature <sup>6</sup>	+150 °C
Operating Temperature	-40 °C to +85 °C
Storage Temperature	-65 °C to +150 °C

4. Exceeding any one or combination of these limits may cause permanent damage to this device.
5. M/A-COM does not recommend sustained operation near these survivability limits.
6. Typical thermal resistance (θ<sub>jc</sub>) = +165 °C/W

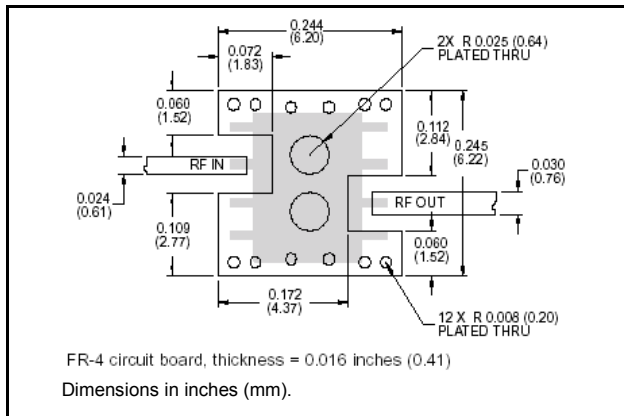
**Low Noise Amplifier  
1.575 GHz**

**AM50-0002  
V8**

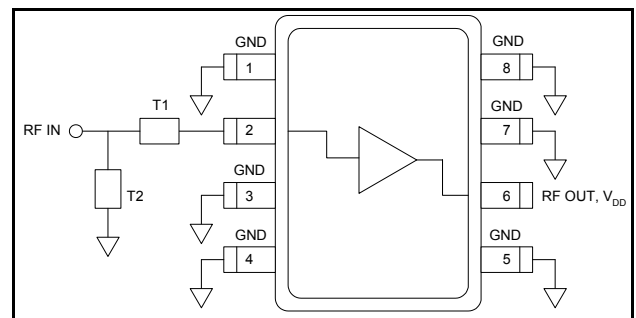
**Electrical Specifications:  $T_A = +25^\circ\text{C}$ ,  $V_{DD} = +5\text{ V}$ ,  $Z_0 = 50\ \Omega$**

Parameter	Test Conditions	Units	Min.	Typ.	Max.
Gain	F = 1.575 GHz, $P_{IN} = -35\text{ dBm}$	dB	25	27	29
Noise Figure	F = 1.575 GHz, $P_{IN} = -35\text{ dBm}$	dB	-	1.15	1.4
Input VSWR	F = 1.575 GHz, $P_{IN} = -35\text{ dBm}$	Ratio	-	2.0:1	-
Output VSWR	F = 1.575 GHz, $P_{IN} = -35\text{ dBm}$	Ratio	-	1.5:1	-
Output P1dB	F = 1.575 GHz	dBm	-	1	-
Input $IP_3$	F = 1.575 GHz, $P_{IN} = -35\text{ dBm}$	dBm	-	-14	-
Reverse Isolation	F = 1.575 GHz, $P_{IN} = -35\text{ dBm}$	dB	-	48	-
Bias Current	—	mA	15	20	25

**Recommended PCB Configuration**

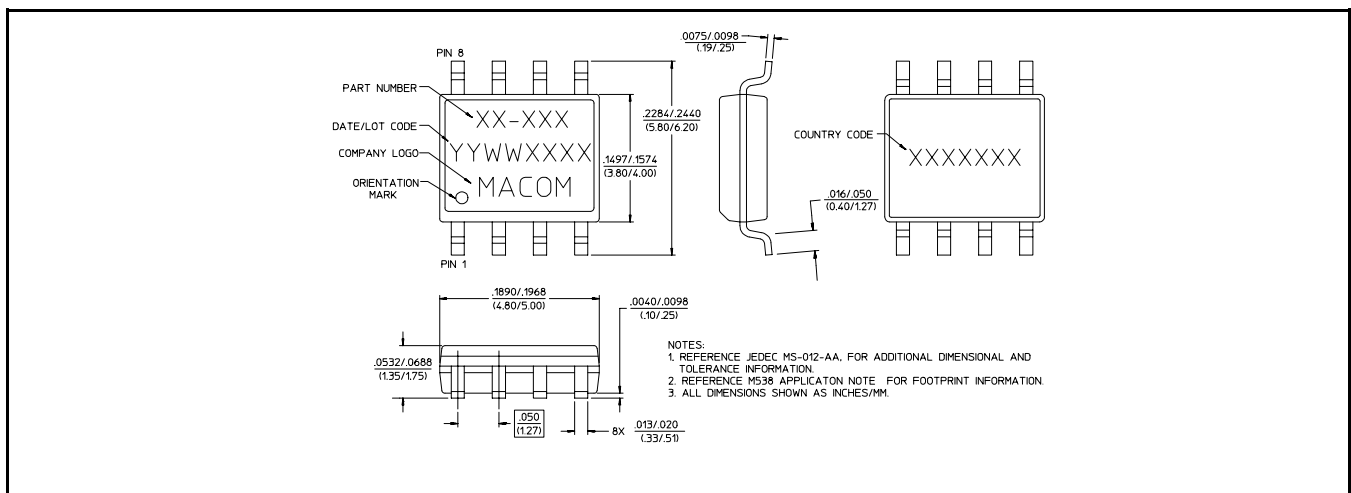


**Application Schematic**



Frequency = 1.575 GHz		
	Impedance	Electrical Length
T1	57.2 $\Omega$	36.0°
T2	82.7 $\Omega$	16.2°

**SOIC-8**



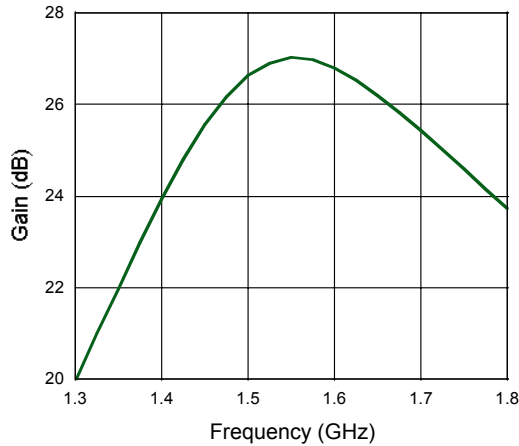
**Low Noise Amplifier  
1.575 GHz**

AM50-0002

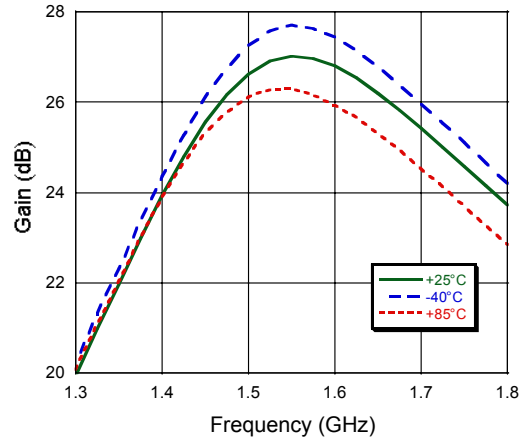
V8

**Typical Performance**

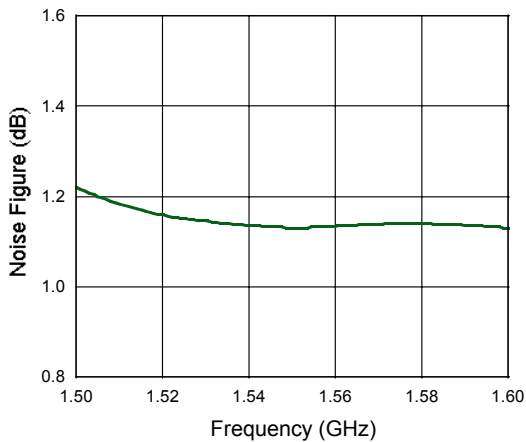
**Gain,  $T_A = +25^\circ\text{C}$**



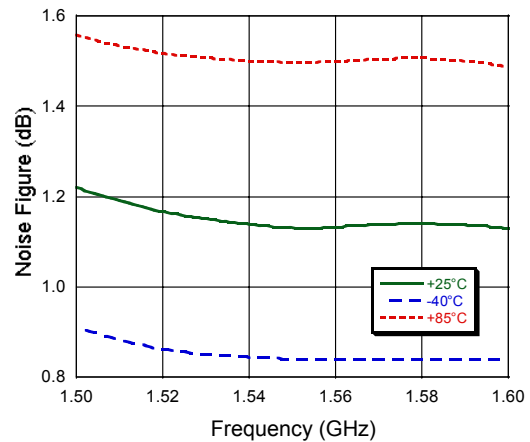
**Gain over Temperature**



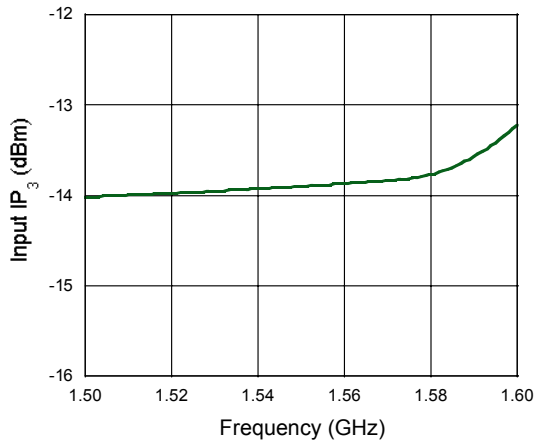
**Noise Figure,  $T_A = +25^\circ\text{C}$**



**Noise Figure over Temperature**



**Input  $IP_3$ ,  $T_A = +25^\circ\text{C}$**



**VSWR,  $T_A = +25^\circ\text{C}$**

