

**W83301R**  
**Winbond**  
**ACPI-STR Controller**

**W83301R**  
**Data Sheet Revision History**

	<b>Pages</b>	<b>Dates</b>	<b>Version</b>	<b>Version on Web</b>	<b>Main Contents</b>
1	N.A.	01/Feb.	0.5	N.A.	All of the versions before 0.50 are for internal use.
2	4,5	01/MAY	0.6	N.A.	Application circuit Update

Please note that all data and specifications are subject to change without notice. All the trademarks of products and companies mentioned in this datasheet belong to their respective owners.

**LIFE SUPPORT APPLICATIONS**

These products are not designed for use in life support appliances, devices, or systems where malfunction of these products can reasonably be expected to result in personal injury. Winbond customers using or selling these products for use in such applications do so at their own risk and agree to fully indemnify Winbond for any damages resulting from such improper use or sales.

## 1. General Description

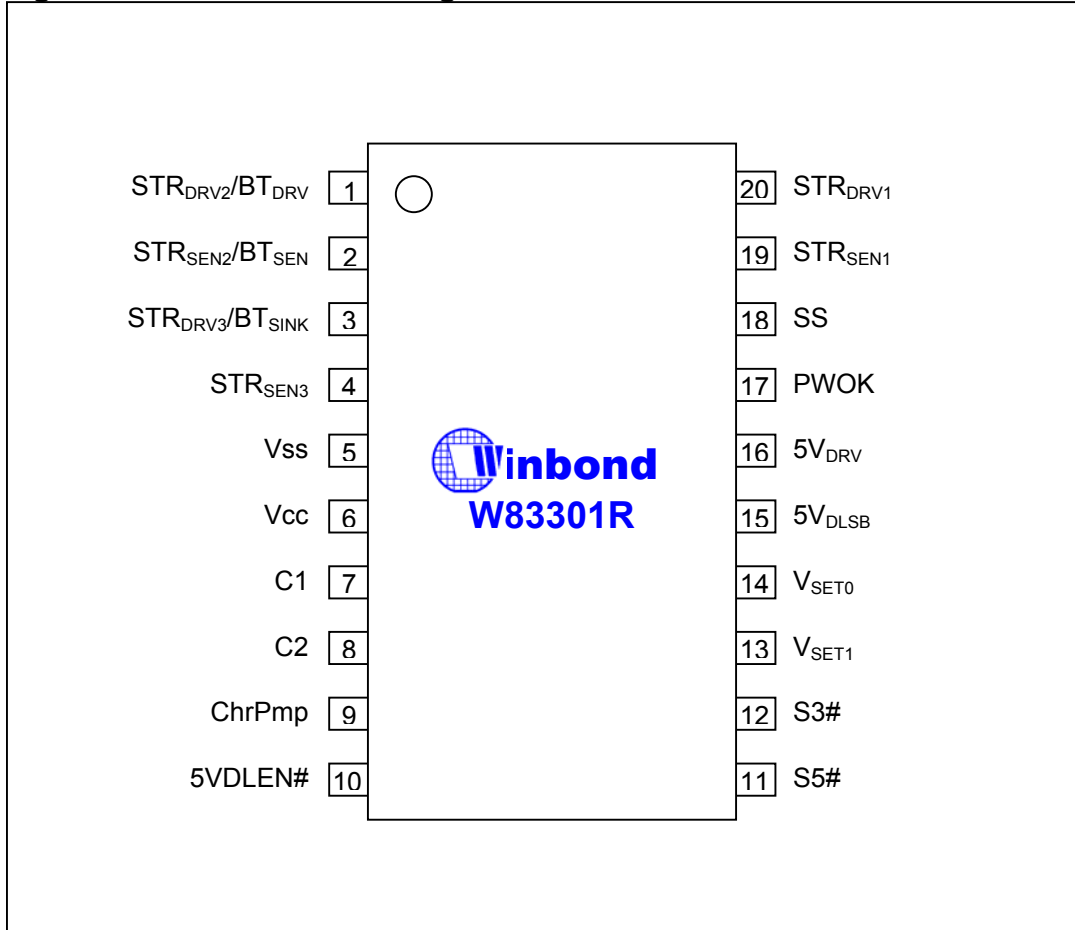
The W83301R is an ACPI-compliant controller for microprocessor and other computer applications. In substance, the part can mainly operate in alternative configurations mode A and B – mode A provides a switch controller to generate a  $5V_{DL}$  voltage from ATX power supply, a linear controller – STR1 ( $2.5V_{DUAL}$ ), and a bus termination controller –  $1.25 V_{DUAL}$  for high speed bus such as RDRAM/DDRAM current sinking and sourcing; and mode B provides a switch controller to generate a  $5V_{DL}$  voltage from ATX power supply and three linear controllers for specific voltage regulations – that is STR1 ( $2.5V_{DUAL}$ ), STR2 ( $3.3V_{DUAL}$ ) and STR3 ( $1.8 V_{DUAL}$ ), all of the outputs can simply configured by  $V_{SET0}$ ,  $V_{SET1}$ . Besides, the W83301R also can provide extra voltage up to 0.2V in each regulator output for more performance. In order to reduce the customer's cost, and simplify the circuit design, the W83301R integrates a charge-pump engine into the chip to provide higher driving voltage for single N-channel MOSFETs, that is the W83301R, can drive only N-channel MOSFETs for all applications. In the other hand, the W83301R also offer PWOK and over current detection to protect each output and soft-start protects all linear controllers from rush current attack. The W83301R is available in a 20-pin SOP package.

## 2.Features

- ❖ Provides alternative configurations for flexible applications
  - Mode A
    - Provide a switch controller to generate  $5V_{DUAL}$
    - Linear controller STR1– $2.5V_{DUAL}$  (RDRAM/DDRAM application)
    - Bus termination controller – $1.25V_{DUAL}$  for high speed bus termination application to sinking and sourcing redundant current
  - Mode B
    - Provide a switch controller to generate  $5V_{DUAL}$
    - Linear controller STR1 –  $2.5V_{DUAL}$  (Clock Gen. Application)
    - Linear controller STR2 –  $3.3 V_{DUAL}$  (SDRAM Application)
    - Linear controller STR3 –  $1.8V_{DUAL}$  (Chipset Application)
- ❖ Provide a switch to enable/disable  $5V_{DL}$  output in S5 state via  $5V_{DLEN}$  pin for USB application
- ❖ Supports SDRAM/RDRAM/DDRAM ACPI-STR Functions
- ❖ Drives all N-Channel MOSFETs
- ❖ Power-Up Softstart for all controllers
- ❖ Up to 0.2V incremental voltage on STR1/STR2 for over-clock application.
- ❖ Under-Voltage Fault Monitor
- ❖ Soft-Start function
- ❖ 20-Pin SOP Package

### 3.Pin Configuration

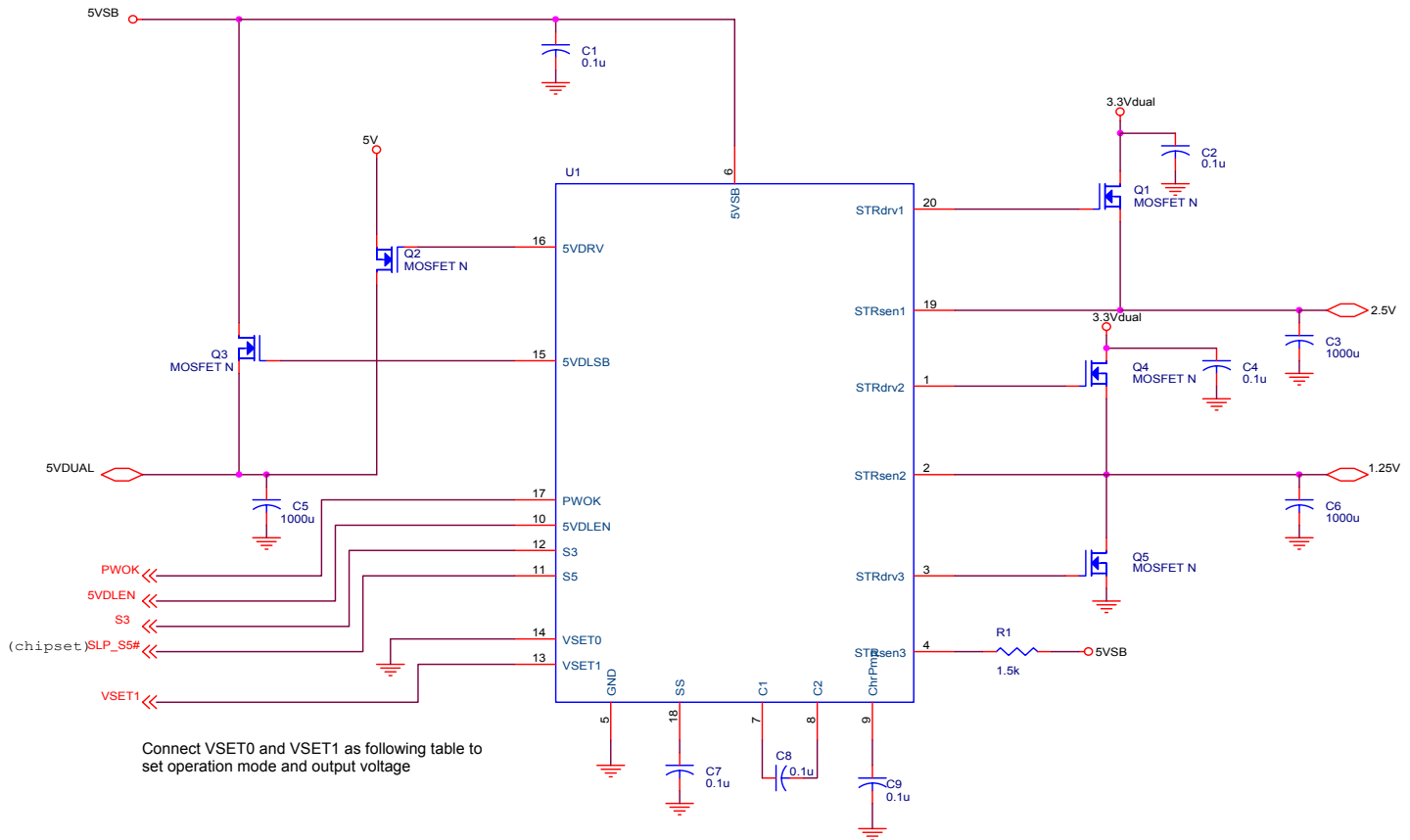
Figure 1. W83301R Pin Configuration



### 4.Pin Description

SYMBOL	PIN	FUNCTION
STR <sub>DRV2</sub> /BT <sub>DRV</sub>	1	<b>Mode A: BT Current Source.</b> Connect this pin to the gate of a suitable N-channel MOSFET for driving bus termination regulator output.
		<b>Mode B: STR2 Driver.</b> Connect this pin to the gate of a suitable N-channel MOSFET for driving STR2 output.
STR <sub>SEN2</sub> /BT <sub>SEN</sub>	2	<b>Mode A: BT Sense.</b> Connect this pin to the bus termination regulator output.
		<b>Mode B: STR2 Sense.</b> Connect this pin to the STR2 output.
STR <sub>DRV3</sub> /BT <sub>SINK</sub>	3	<b>Mode A: BT Current Sink.</b> This pin is used to drive a N-channel MOSFET to sink the redundant current in the high-speed bus.
		<b>Mode B: STR3 Driver.</b> Connect this pin to the gate of a suitable N-channel MOSFET for driving STR3 output.
STR <sub>SEN3</sub>	4	<b>Mode A: Function Reserved.</b> Pull up this pin to +5VSB through a 1.5 Kohm resistor.
		<b>Mode B: STR3 Sense.</b> Connect this pin to the STR3 output.
GND	5	<b>Power Ground.</b> Connect this pin to ground.
Vcc	6	<b>Power Vcc.</b> Input 5VSB supply.
C1	7	<b>Charge Pump Cap.</b> Attach flying capacitor between this pin and C2 to generate internally used high voltage from 5V power supply.
C2	8	<b>Charge Pump Cap.</b> Attach flying capacitor between this pin and C1 to generate internally used high voltage from 5V power supply.
ChrPmp	9	<b>Charge Pump output.</b> This pin produces voltage doubled 5V supply by charge-pumping. Bypass with a 0.1uF capacitor.
5V <sub>DLEN#</sub>	10	<b>5VDL Enable.</b> Control 5V <sub>DL</sub> voltage output. Pull-up internally.
S5#	11	<b>S5 Status.</b> Control signal governing the soft off state S5. Pull-up internally.
S3#	12	<b>S3 Status.</b> Control signal governing the soft off state S3. Pull-up internally.
V <sub>SET1</sub>	13	<b>Voltage Selection 1.</b> Combine with VSET2 to select operation mode and output voltages of STR regulators.
V <sub>SET0</sub>	14	<b>Voltage Selection 0.</b> Combine with VSET1 to select operation mode and output voltages of STR regulators.
5V <sub>DLSB</sub>	15	<b>5VSB Output Control.</b> Connect this pin to the gate of a N-MOSFET to output 5VSB power to 5V <sub>DL</sub> .
5V <sub>DRV</sub>	16	<b>5V Output Control.</b> Connect this pin to the gate of a N-MOSFET to output 5V power to 5V <sub>DL</sub> .
PWOK	17	<b>Power OK.</b> Open collector input/output. Used to indicate the ready of 5Vin supply. If any STR supply (only STR1 in mode A) occurs over current and induce under-voltage, PWOK will be pull down.
SS	18	<b>Soft-Start.</b> Attach a capacitor (0.033u) to this pin to determine the softstart rate. A ramp generated by charging this capacitor with internal soft-start current (18uA) is used to clamp the voltage rising slew rate of STR regulators and 5V <sub>DL</sub> . Soft starting avoids too much rush current during voltage setup.
STR <sub>SEN1</sub>	19	<b>STR1 Sense.</b> Connect this pin to the STR1 output.
STR <sub>DRV1</sub>	20	<b>STR1 Driver.</b> Connect this pin to the gate of a suitable N-channel MOSFET for driving STR1 output.

### 5. Application Circuit

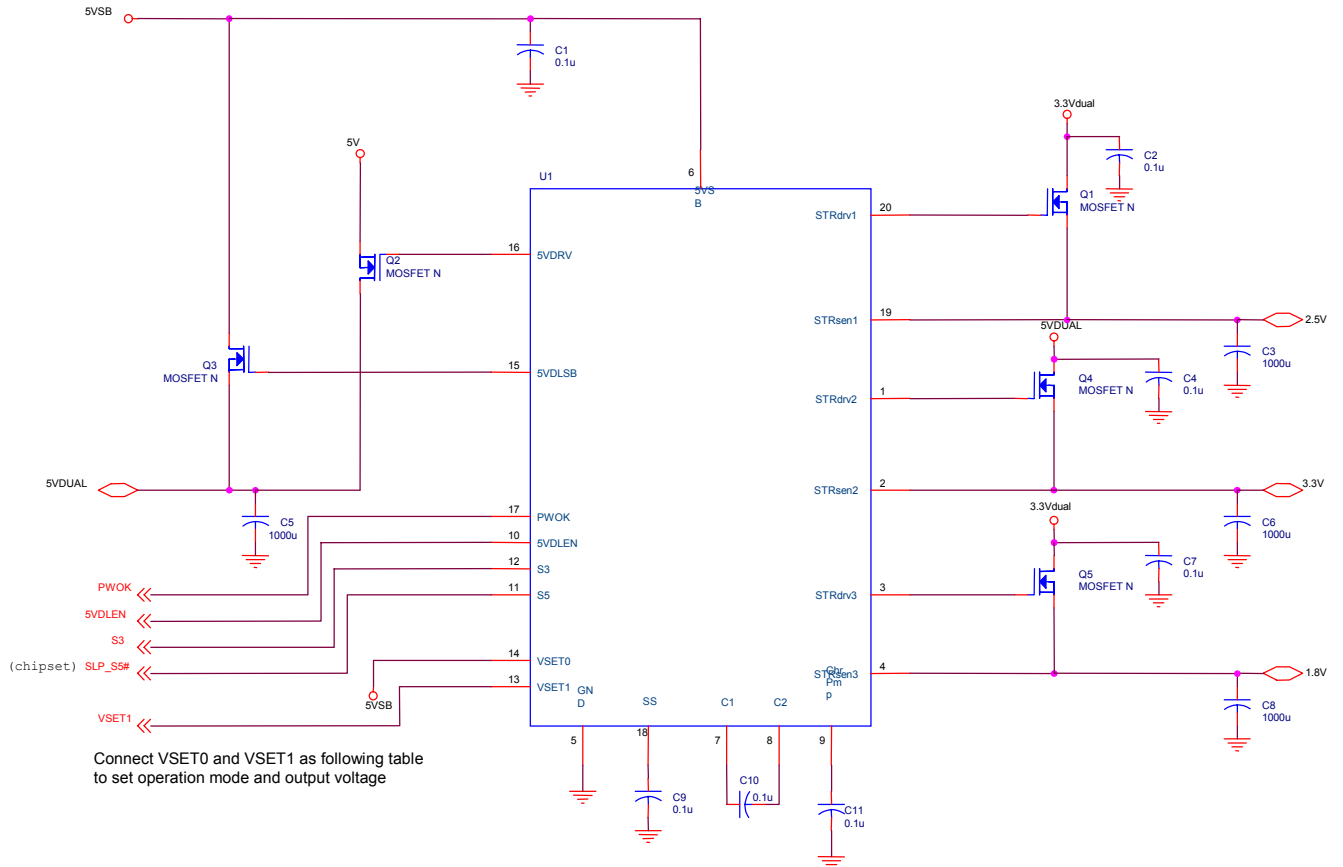


**Figure 2. Mode A (DDR Mode) Application Circuit**

Mode	VSET0	VSET1	STR1	Bus Termination Controller
DDR	0V	0V	2.5V <sub>DUAL</sub>	1.25V <sub>DUAL</sub>
	0V	NC	2.6V <sub>DUAL</sub>	1.30V <sub>DUAL</sub>
	0V	5V	2.7V <sub>DUAL</sub>	1.35V <sub>DUAL</sub>

### 5. Application Circuit

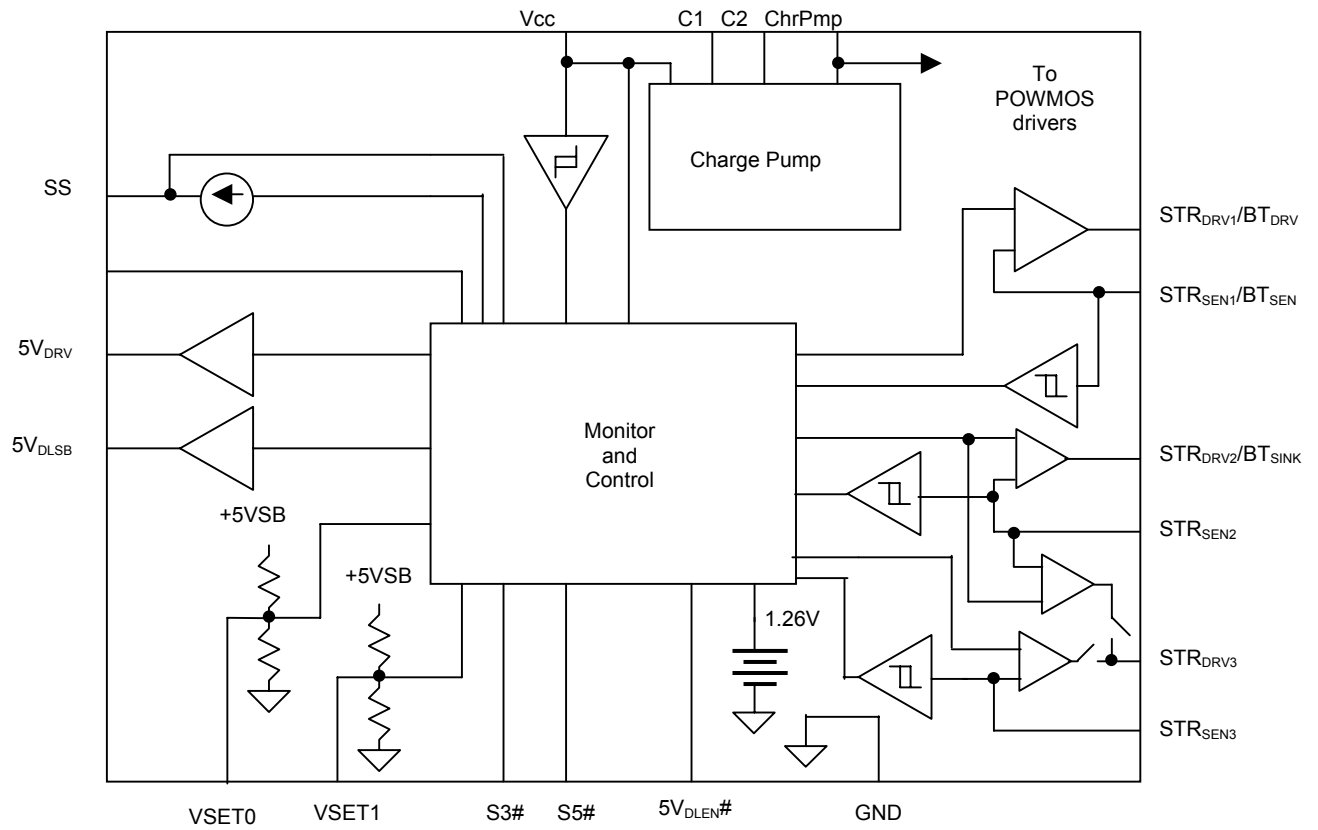
Figure 3. Mode B (SDRAM Mode) Application Circuit



Mode	VSET0	VSET1	STR1	STR2	STR3
SDRAM	5V	5V	2.5V <sub>DUAL</sub>	3.3V <sub>DUAL</sub>	1.8V <sub>DUAL</sub>
	5V	NC	2.6V <sub>DUAL</sub>	3.4V <sub>DUAL</sub>	1.8V <sub>DUAL</sub>
	5V	0V	2.7V <sub>DUAL</sub>	3.5V <sub>DUAL</sub>	1.8V <sub>DUAL</sub>

### 6. Block Diagram

Figure 4. W83301R Internal Block Diagram





## 7.Functional Description

### 7.1 Mode Selection

The W83301R supports two modes for customer’s multi-applications, as shown as Table1, the mode A and mode B can selected via VSET0 pin. If this pin connects to 5V, the chip will operate under mode A, otherwise the chip will operate under mode B when VSET0 connects to ground.

Both mode A and B supports a linear switch to generate an ACPI-compliant  $5V_{DL}$  voltage from ATX power supply  $5V/5V_{SB}$  according to S5# and S3# signals. And user also can turn off the whole  $5V_{DL}$  output in S5 state via  $5V_{DLEN\#}$  pin if needed.

Under the mode A operation, the chip provide a linear controller STR1 that drives a N-channel MOSFET Q3 (refer to figure) to generate a regulated voltage  $2.5V_{DUAL}$  from an external power source  $3.3V_{DUAL}$ , the  $2.5V_{DUAL}$  is provide for RDRAM/DDRAM ACPI suspend to RAM application. And In order to simply the circuit design and reduce customer’s cost, the W83301R also integrate a bus termination controller BT driving two external N-channel MOSFETs (Q4, Q5) to generate a specific ACPI-compliant voltage according to a half of STR1 output for sourcing and sinking bus redundant current.

Under the mode B operation, the chip provide three linear controllers, that is STR1-  $2.5V_{DUAL}$ , STR2-  $3.3V_{DUAL}$ , and STR3-  $1.8V_{DUAL}$ , all of the three outputs drive a N-channel MOSFET (Q3, Q4, and Q5) to generate an ACPI-compliant voltage by different applications. Such as STR1-  $2.5V_{DUAL}$  for clock generator application, STR2-  $3.3V_{DUAL}$  for SDRAM application, and STR3-  $1.8V_{DUAL}$  chipset application.

Besides, as shown in Table 1 the W83301R also provide a tri-state pin VSET1 to bias an extra voltage up to 0.2V in each output for more performance but under mode A operation, the BT output voltage will generated according to a half of STR1 output set by VSET1.

**Table 1.** W83301R Control Table

Mode	VSET0	VSET1	STR1	Bus Termination Controller		Remark
A	0V	0V	$2.5V_{DUAL}$	$1.25V_{DUAL}$		-STR1 output for RDRAM/DDRAM voltage -Bus Termination Controller for memory bus redundant current sinking and sourcing.
	0V	NC	$2.6V_{DUAL}$	$1.30V_{DUAL}$		
	0V	5V	$2.7V_{DUAL}$	$1.35V_{DUAL}$		
Mode	VSET0	VSET1	STR1	STR2	STR3	Remark
B	5V	5V	$2.5V_{DUAL}$	$3.3V_{DUAL}$	$1.8V_{DUAL}$	-STR1 output for Clock Gen. voltage -STR2 output for SDRAM voltage -STR3 output for Chipset voltage
	5V	NC	$2.6V_{DUAL}$	$3.4V_{DUAL}$	$1.8V_{DUAL}$	
	5V	0V	$2.7V_{DUAL}$	$3.5V_{DUAL}$	$1.8V_{DUAL}$	

## 7.2 ACPI State Control

In order to meet the ACPI specification, the W83301R implement a state machine as shown as Figure 5 to generate ACPI-compliant power state transition.

There are only five states in the state machine cause the W83301R only focus on the memory ACPI control, and the five states are G3 (Mechanical-Off State), S0 (Full-Power State), S3 (Sleeping State-Suspend to RAM), S5<sub>On</sub> (Soft-Off State), S5<sub>Off</sub> and all of these states changed to the other according to the condition of S3#, S5# and 5V<sub>DLEN#</sub>. On the other hand, cause of the W83301R allows customer to disable/enable the 5V<sub>DUAL</sub> output in S5 state via 5V<sub>DLEN#</sub> pin, there are two states, S5<sub>On</sub> and S5<sub>Off</sub>, corresponding to S5 state. A soft ramp-up mechanism is needed to protect the 5V<sub>DL</sub> output from the rush current attack during the S5<sub>Off</sub> to S5<sub>On</sub> state transition. Same as the 5V<sub>DL</sub> output, the W83301R also provides soft ramp-up mechanism during S5<sub>On</sub> to S0 state transition in each STR output.

In the state machine, when the power on, and the 5V input from power supply arrive 4.5V, the chip will enter S5<sub>Off</sub> first from G3, and ramp-up into S5<sub>On</sub> state by two conditions, the one is when 5V<sub>DLEN#</sub>=0 under standby power supply to resume the 5V<sub>DL</sub> output, the other one is S3#=1 and S5#=1 the system will enter S1 state.

During S5<sub>On</sub> state, the chip will return back to S5<sub>Off</sub> when the customer wants disabling the 5V<sub>SB</sub> output (5V<sub>DLEN#</sub>=1) to save some power. And the chip will drive all outputs into S0 state will S3#=1 and S5#=1.

When the system under the S0 state, the system should enter the S3-sleeping (S3#=0, S5#=1) or S5-soft off (S5#=0) state when the system idle for a long time or user power-off.

When the system suspend to RAM, the system will be wakeup and enter S0-full power state by (S3#=1, S5#=1, PWOK=1), or get into S5-sleeping soft off state by (S5#=0)

**Table 2.** W83301R Outputs Table

State	5V <sub>DL</sub>	STR1	STR2	STR3	LUV Activity *
G3	Off	Off	Off	Off	No
S5 (5V <sub>DL</sub> Off)	Off	Off	Off	Off	No
S5 (5V <sub>DL</sub> On)	On (Driven by 5V <sub>DLSB</sub> )	Off	Off	Off	No
S0	On (Driven by 5V <sub>DRV</sub> )	On	On	On	Yes
S3	On (Driven by 5V <sub>DLSB</sub> )	On	On	On	Yes

\*When the STR2 & STR3 configured as bus termination controller, only STR1 has linear under voltage function.

### 7.3 Charge Pump

In order to simply the design circuit and provide a good-price solution for customer, the W83301R integrate with a switched-capacitor voltage doubler charge pump to provide a higher driving voltage (Up to 10 volt) and can drive a single N-channel MOSFETs in each output.

### 7.4 Power OK

The W83301R use a bi-direction Power OK signal to ensure the system can work normally. When the system jump from state S3 to state S0, the W83301R will monitor the input signal from PWOK pin to ensure that external system power is OK and then switch each outputs into S0 stage; In the other hand, the W83301R will pull down the Power OK signal to inform the system that a over current and induce under-voltage occurred.

### 7.5 Soft-Start

During 'S5off' to 'S5on' and 'S5on' to 'S0' state transitions, the 5Vdual and STR voltages need to ramp up from 0 to their set values respectively. The charging current flowing to output capacitors must be limited to avoid supply drop-off.

In W83301R, an internal 18 uA current source (Iss) charges an external capacitor (C<sub>ss</sub>) to generate a linear ramp-up voltage on SS pin (V<sub>ss</sub>). The V<sub>ss</sub> slews from 0 to about 9V during the above-mentioned state transitions, and the V<sub>ss</sub> slew rate is used to clamp the ramp-up rate of 5Vdual and STR output voltages. This output clamping allows power-ups free of supply drop-off events.

Since the outputs are ramped up in a constant slew-rate, the current dedicated to charge any output capacitor can be calculated with the following formula:

$$I_{\text{COUT}} = I_{\text{ss}} \times (C_{\text{out}} / C_{\text{ss}})$$

Some technique is included in W83301R to further reduce the total charging current: In Mode B configuration, the start-up of ramp-up time STR3 (1.8V) will be advanced from that of STR1 to reduce the overlap time of charging. And in Mode A configuration, the bus-terminator is input clamped, and its output voltage slew-rate, so as its charging current, will be limited to half of that of STR1.

Note that, too slow ramp-up rate is not recommended. If so, the state transition mentioned above will be prolonged to much. Before V<sub>ss</sub> ramps up to its upper limit (about 9V), the state transition will not be completed and will not go into next state.

## 8. Electrical Characteristics

### 8.1 ABSOLUTE MAXIMUM RATINGS

Stresses greater than those listed in this table may cause permanent damage to the device. Precautions should be taken to avoid application of any voltage higher than the maximum rated voltages to this circuit. Subjection to maximum conditions for extended periods may affect reliability. Unused inputs must always be tied to an appropriate logic voltage level (Ground or Vdd).

Symbol	Parameter	Rating
V <sub>SS</sub> , V <sub>CC</sub>	Voltage on any pin with respect to GND	- 0.5 V to + 7.0 V
ChrPmp		- 0.5 V to + 12.0 V
Hi-V Pins	Pin# 1,2,3,4,8,15,16,18,19,20	GND-0.3 V to V <sub>Chr-Pmp</sub> + 0.3V
Lo-V Pins	Pin# 7,10,11,12,13,14,17	GND-0.3 V to V <sub>CC</sub> + 0.3V
T <sub>STG</sub>	Storage Temperature	- 65°C to + 150°C
T <sub>B</sub>	Ambient Temperature	- 55°C to + 125°C
T <sub>A</sub>	Operating Temperature	0°C to + 70°C

### 8.2 AC CHARACTERISTICS

V <sub>CC</sub> =5V ± 5 %, T <sub>A</sub> = 0°C to +70°C						
Parameter	Symbol	Min	Typ	Max	Units	Test Conditions
<b>V<sub>CC</sub> SUPPLY CURRENT</b>						
Norminal Supply Current	I <sub>5VSB</sub>		6		mA	
<b>POWER-ON RESET</b>						
Rising V <sub>5VSB</sub> Threshold				4.3	V	V <sub>Chr Pmp</sub> > 8.5V
5VSB Hysteresis			1		V	
Rising V <sub>Chr Pmp</sub> Threshold				8.5	V	V <sub>5VSB</sub> > 4.3V
V <sub>Chr Pmp</sub> Hysteresis			1		V	
<b>SOFT-START</b>						
Soft-Start Current	I <sub>SS</sub>		18		uA	
V <sub>SS</sub> upper limit			9		V	

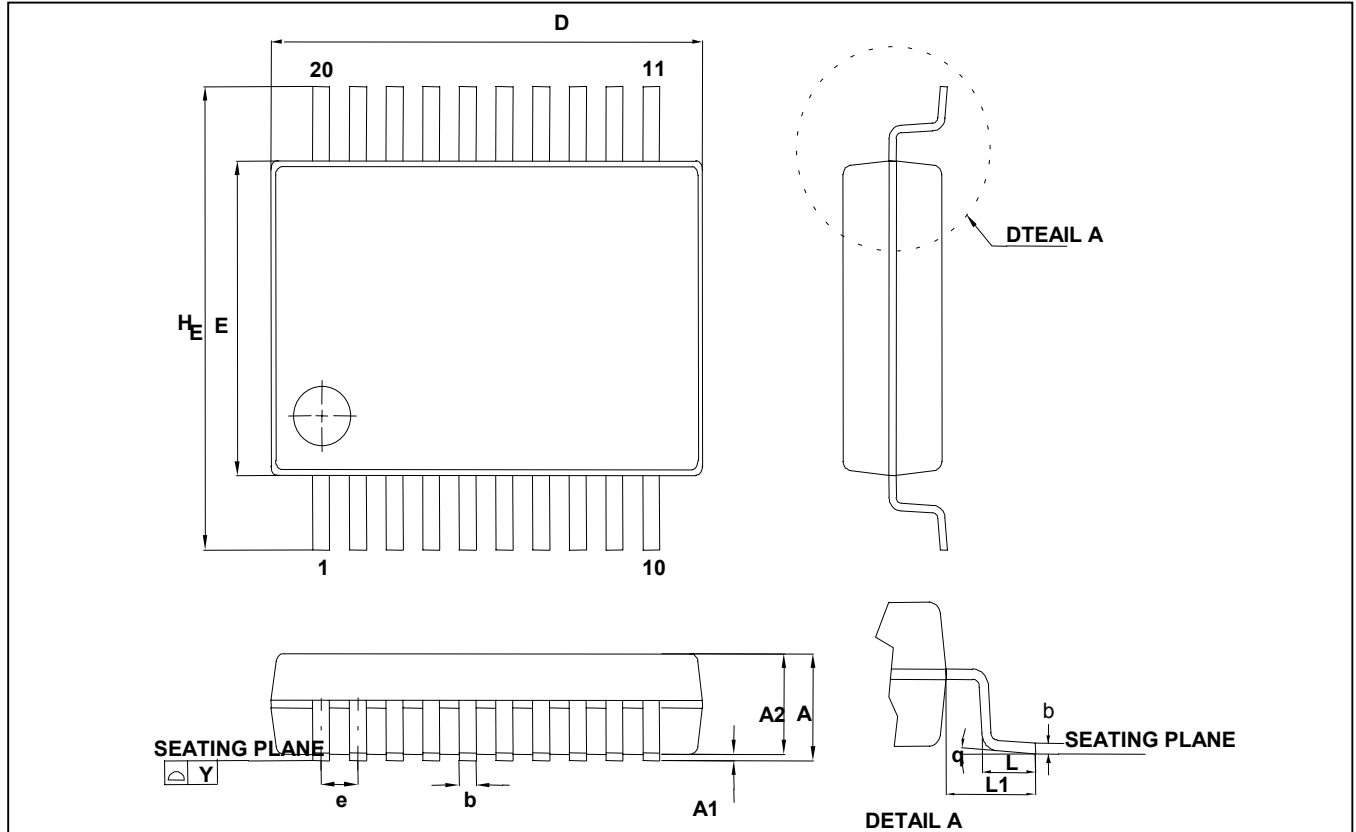
8.2 AC CHARACTERISTICS (Continued)

<b>V<sub>CC</sub>=5V ± 5 %, T<sub>A</sub> = 0 °C to +70 °C</b>						
<b>Parameter</b>	<b>Symbol</b>	<b>Min</b>	<b>Typ</b>	<b>Max</b>	<b>Units</b>	<b>Test Conditions</b>
<b>STR1 IINEAR REGULATOR</b>						
Nominal Output Voltage			2.5		V	VSET0=0V, VSET1=0V or VSET0=5V, VSET1=5V
Nominal Output Voltage			2.6		V	VSET0=0V, VSET1=NC or VSET0=5V, VSET1=NC
Nominal Output Voltage			2.8		V	VSET0=0V, VSET1=5V or VSET0=5V, VSET1=0V
Regulation				5	%	
STR <sub>SEN1</sub> Under-Voltage Falling Threshold			80		%	
MAX STR <sub>DRV1</sub> Output Voltage		6			V	I(STR <sub>DRV1</sub> ) < 0.1mA
<b>STR2 LINEAR REGULATOR</b>						
Nominal Output Voltage			3.3		V	VSET0=5V, VSET1=5V
Nominal Output Voltage			3.4		V	VSET0=5V, VSET1=NC
Nominal Output Voltage			3.5		V	VSET0=5V, VSET1=0V
Regulation				5	%	
STR <sub>SEN1</sub> Under-Voltage Falling Threshold			80		%	
MAX STR <sub>DRV1</sub> Output Voltage		6			V	I(STR <sub>DRV1</sub> ) < 0.1mA
<b>STR3 LINEAR REGULATOR</b>						
Nominal Output Voltage			1.8		V	VSET0=5V
Regulation				5	%	
STR <sub>SEN1</sub> Under-Voltage Falling Threshold			83		%	
MAX STR <sub>DRV1</sub> Output Voltage		6			V	I(STR <sub>DRV1</sub> ) < 0.1mA
<b>BUS TERMINATOR</b>						
Nominal Output Voltage / V <sub>STRSEN1</sub>			50		%	VSET0=0V
Regulation				5	%	
<b>5VDUAL SWITCH CONTROLLER</b>						
5V <sub>DRV</sub> Output High Voltage		9				Cl <sub>load</sub> =3000p
5V <sub>DRV</sub> Sourcing Current			7		mA	Cl <sub>load</sub> =3000p
5V <sub>DRV</sub> Sinking Current			400		uA	Cl <sub>load</sub> =3000p
5V <sub>DLSB</sub> Output High Voltage		9				Cl <sub>load</sub> =3000p
5V <sub>DLSB</sub> Sourcing Current			7		mA	Cl <sub>load</sub> =3000p
5V <sub>DLSB</sub> Sinking Current			230		uA	Cl <sub>load</sub> =3000p
<b>S3#, S5#, 5VDLEN#, PWOK, CHARGE PUMP</b>						

Input Logic High	2.2			V	
Input Logic Low			0.8	V	
PWOK Output Impedence		150		ohm	LUV active
Charge Pump Frequency			200	KHz	

### 9.Package Specification

20L SSOP-209 mil



SYMBOL	DIMENSION IN			DIMENSION IN		
	MIN	NO	MAX.	MIN	NO	MAX.
A	—	—	2.00	—	—	0.079
A1	0.05	—	—	0.002	—	—
A2	1.65	1.75	1.85	0.065	0.069	0.073
b	0.22	—	0.38	0.009	—	0.015
c	0.09	—	0.25	0.004	—	0.010
D	6.90	7.20	7.50	0.272	0.283	0.295
E	5.00	5.30	5.60	0.197	0.209	0.220
H <sub>E</sub>	7.40	7.80	8.20	0.291	0.307	0.323
e	—	0.65	—	—	0.025	—
L	0.55	0.75	0.95	0.021	0.030	0.037
L1	—	1.25	—	—	0.050	—
Y	—	—	0.10	—	—	0.004
q	0	—	8	0	—	8



W83301R

Preliminary

### 10. Ordering Information

Part Number	Package Type	Production Flow
W83301R	20-PIN SSOP	Commercial, 0°C to +70°C

### 11. How to Read the Top Marking



- 1st line: Winbond logo
- 2nd line: W883301R – the part number
- 3rd line: Tracking code Tracking code 106 O B 1 1039050-21NA
- 106**: packages made in Year 01', week 6
- O**: assembly house ID; O means OSE, G means GR, ...
- A**: the IC version
- 1**: wafers manufactured in Winbond FAB I
- 1039050-21NA**: wafer production series number



**Headquarters**  
 No. 4, Creation Rd. III  
 Science-Based Industrial Park  
 Hsinchu, Taiwan  
 TEL: 886-35-770066  
 FAX: 886-35-789467  
 www: <http://www.winbond.com.tw/>

**Winbond Electronics (H.K.) Ltd.**  
 Rm. 803, World Trade Square, Tower II  
 123 Hoi Bun Rd., Kwun Tong  
 Kowloon, Hong Kong  
 TEL: 852-27516023-7  
 FAX: 852-27552064

**Winbond Electronics (North America) Corp.**  
 2730 Orchard Parkway  
 San Jose, CA 95134 U.S.A.  
 TEL: 1-408-9436666  
 FAX: 1-408-9436668

**Taipei Office**  
 11F, No. 115, Sec. 3, Min-Sheng East Rd.  
 Taipei, Taiwan  
 TEL: 886-2-7190505  
 FAX: 886-2-7197502  
 TLX: 16485 WINTPE

Please note that all data and specifications are subject to change without notice. All the trade marks of products and companies mentioned in this data sheet belong to their respective owners. These products are not designed for use in life support appliances, devices, or systems where malfunction of these products can reasonably be expected to result in personal injury. Winbond customers using or selling these products for use in such applications do so at their own risk and agree to fully indemnify Winbond for any damages resulting from such improper use or sale.