

FEATURES

- Low Broadband Jitter, < 500 Femtoseconds RMS**
- On-Chip 2.60 GHz – 2.95 GHz VCO**
- Low Phase Noise, Integer-N Frequency Synthesizer**
 - Digital or Analog PLL Lock Detect**
 - Programmable Delays in R and N path**
 - Supports Internal or External VCO**
- Two Reference Clock Inputs, A and B**
 - Frequencies to 250 MHz**
 - On-Chip Reference Clock Monitors**
 - Auto and Manual Switchover, Holdover**
- Up to 14 Low Jitter Clock Drivers**
 - Six LVPECL Outputs Operate to Max VCO Frequency**
 - Four/Eight LVDS/CMOS outputs run 1 GHz/250 MHz**
- Programmable Dividers with Phase Offset**
- Programmable Delay on Four Channels**
- Serial Control Port**
- 64-lead LFCSP package**

APPLICATIONS

- Low Jitter Clock Generation and Clock Distribution**
- Wired and Wireless Infrastructure**
- Base Stations, Optical Networks, Cable Head-Ends**
- Instrumentation and Imaging**
- Test Equipment, ATE**
- Clean Clocks for ADCs, DACs, DDSs, DDCs, DUCs, MxFEs**
- Clock Cleanup and Distribution for Line Cards**

GENERAL DESCRIPTION

The AD9516-0 generates up to fourteen output clocks from a single input reference frequency. Integrated on chip is a complete PLL with VCO, programmable dividers, adjustable delay blocks, and multiple output logic stages. Sub-picosecond jitter performance is maintained using on-chip 2.60 – 2.95 GHz VCO. The AD9516 also supports the use of an external VCO/VCXO/VCSO up to 2.4 GHz.

The AD9516-0 features six LVPECL outputs (grouped in three pairs), which operate up to the maximum frequency of on-chip VCO. The remaining outputs are user-programmed as either LVDS (four max) or CMOS (eight max). The programmable outputs operate to 1 GHz in LVDS mode and to 250MHz in CMOS mode.

On-chip dividers may be set to any integer value, 1-32. In addition, the LVDS/CMOS channels use cascaded dividers for a maximum divide ratio of 1024. Each LVDS/CMOS channel also offers an adjustable delay from 1.5 ns to 10 ns, programmed as 64 steps.

The AD9516-0 is available in a 64-lead LFCSP and may be operated from a single 3.3 V supply. If an external VCO is used, the VCP pin may be set to a max value of 5.5V. The power supply to the LVPECL outputs may be varied to support 2.5V or 3.3V LVPECL outputs. The AD9516-0 operates over the standard industrial range of -40°C to +85°C.

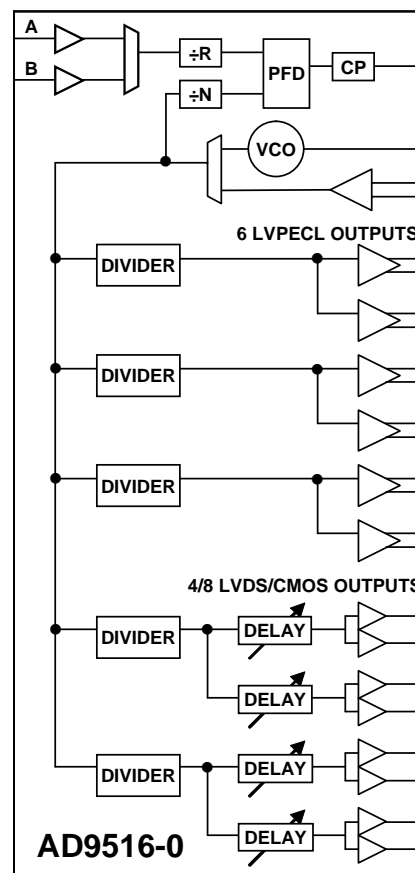


Figure 1. Basic Block Diagram

Rev. prA

Information furnished by Analog Devices is believed to be accurate and reliable. However, no responsibility is assumed by Analog Devices for its use, nor for any infringements of patents or other rights of third parties that may result from its use. Specifications subject to change without notice. No license is granted by implication or otherwise under any patent or patent rights of Analog Devices. Trademarks and registered trademarks are the property of their respective owners.

OUTLINE DIMENSIONS

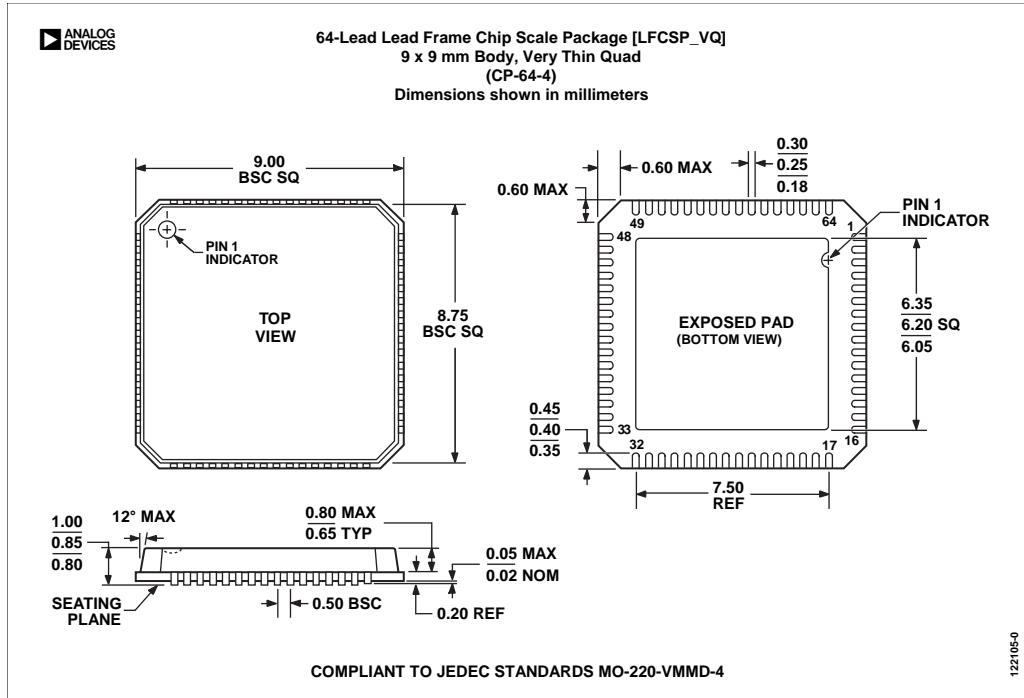


Figure 2. Outline Dimensions

©2005 Analog Devices, Inc. All rights reserved. Trademarks and registered trademarks are the property of their respective owners.
 PR06419-0-10/06(PrA)



www.analog.com