

# ISDN S Interface Hybrid

APC14131e

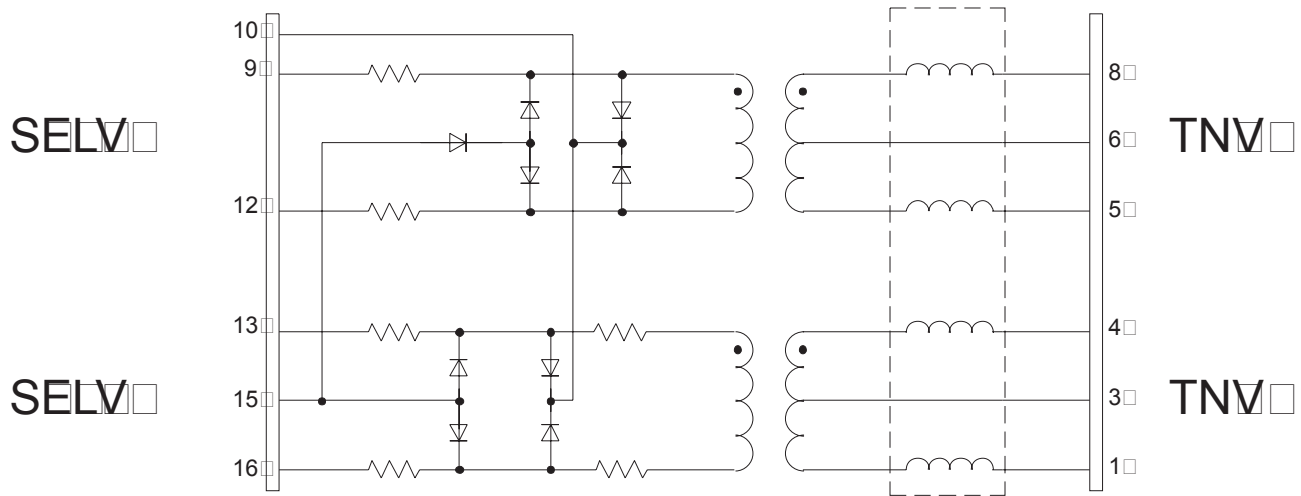


## ELECTRICAL SPECIFICATIONS @ 25°C

| Turns Ratio<br>+/-5% | Primary Inductance<br>mH min | Leakage Inductance<br>uH max | Primary DCR<br>OHMS<br>+/- 30% | Secondary DCR<br>OHMS<br>+/- 30% | Choke                         |                      |
|----------------------|------------------------------|------------------------------|--------------------------------|----------------------------------|-------------------------------|----------------------|
|                      |                              |                              |                                |                                  | Inductance per line<br>mH nom | DCR per line<br>OHMS |
| 1CT:1                | 22                           | 10                           | 1.95                           | 1.95                             | 0.04                          | 0.5                  |

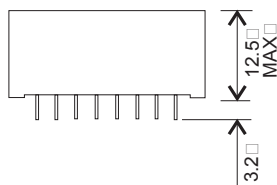
NOTES: ISOLATION PRI:SEC 1500VRMS  
 DESIGNED TO BE USED WITH INFINEON PEB3086, PEB3186, PEB3081  
 PROVIDES ISOLATION OF SELV AND TNV3 CIRCUITS IN ACCORDANCE WITH IEC 60950, EN 60950, UL 60950, ACA TS001 AND AS/NZS 60950  
 END SYSTEM COMPLIANCE TO IEC 60950, EN 60950, UL 60950, ACA TS001 AND AS/NZS 60950 IS THE RESPONSIBILITY OF THE INSTALLER

## SCHEMATIC

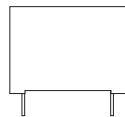


## MECHANICAL

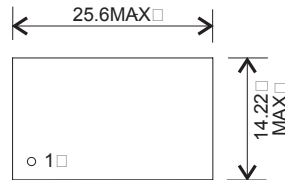
SIDE ELEVATION



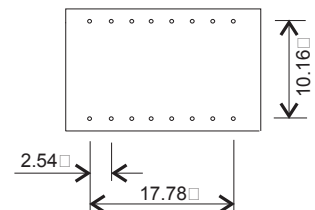
END ELEVATION



PLAN VIEW



BOTTOM VIEW



NOTES: NOT TO SCALE  
 TOLERANCE +/- 0.2 MM  
 ALL DIMENSIONS IN MM

PIN DIAMETER 0.75 MM MAX.  
 DOT ON TOP SURFACE INDICATES PIN 1