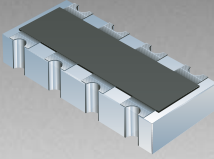


\*RoHS COMPLIANT



**BOURNS®**

## Features

- HIGH PERFORMANCE TERMINATION NETWORK
- Miniaturized circuitry and packaging for space reduction
- Designed for gigabit communication networks
- Controlled impedance
- RoHS compliant\*

## CAT16-PT2F2 - Concave Chip Array

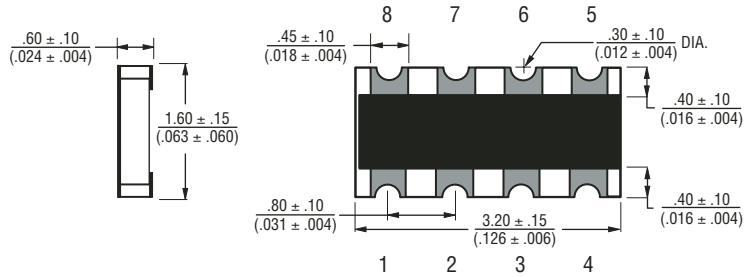
### Electrical Characteristics

Resistance

R1 .....	100 ohms
Tolerance .....	±1%
TCR .....	±200ppm/°C
Temperature Range .....	-55°C to +125°C
Max. Operating Voltage .....	.5 VDC
Max. Power Resistance .....	.0625W
Solderability .....	>95% Coverage

For Standard Values Used in Capacitors, Inductors, and Resistors, [click here](#).

### Product Dimensions

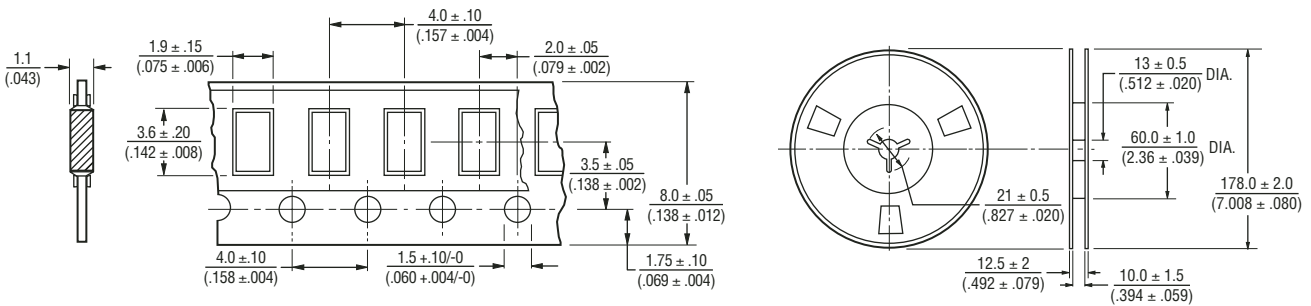


DIMENSIONS ARE:  $\frac{\text{MM}}{\text{(INCHES)}}$

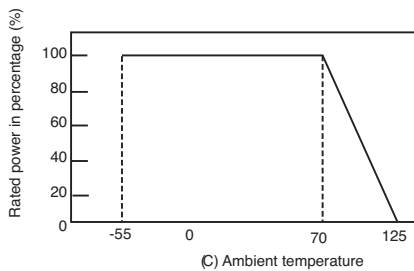


### Packaging Specifications

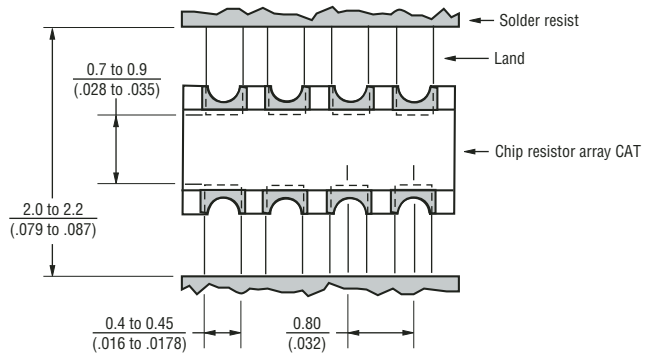
5000 pcs - per 7" reel



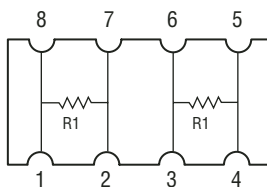
### Derating Curve



### Land Pattern



### Schematic



REV. 05/06

\*RoHS Directive 2002/95/EC Jan 27 2003 including Annex. Specifications are subject to change without notice. Customers should verify actual device performance in their specific applications.