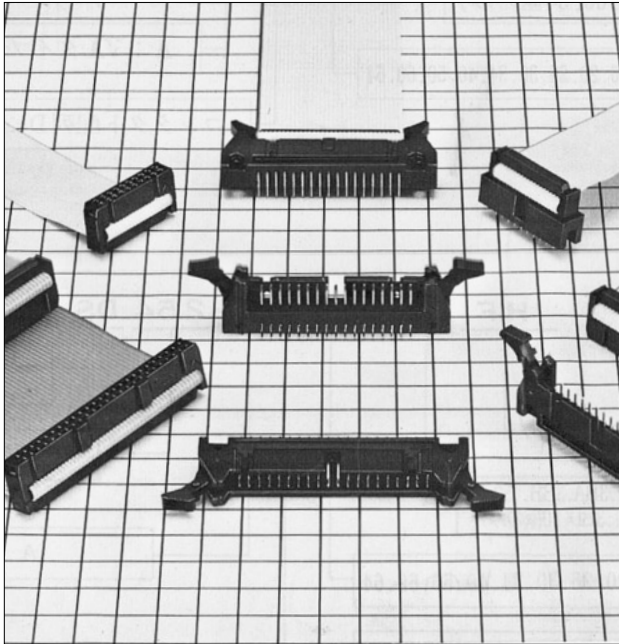


Ribbon Cable connector Compliant with MIL Standard

HIF3B Series



■ Features

1. Product Compliant with MIL Standard

HIF3B series has been developed as a product compliant with MIL standard, and used for wide applications.

2. UL Approval Product

HIF3B series connectors are UL approved.

3. Mechanism to Prevent Mis-insertion

This connector is equipped with the mechanism to prevent Mis-insertion as follows.

- ① The system provides the convex area to insert the guide-key on the pin header side, and to guide it in combination with the socket convex area (MIL standard).
- ② The system embeds and guides the polarizing key in the socket holes.

4. Applicable Cable AWG#28

The applicable cable is UL2651 AWG#28 flat cable (7 cores./ 0.127mm, jacket dia. 0.9±0.1mm).

■ Product Specifications

Rating	Current rating : 1A Voltage rating : 200V AC	Operating Temperature Range : -55 to +85°C (Note 1) Operating Moisture Range : 40 to 80%	Storage Temperature Range : -10 to +60°C (Note 2) Storage Humidity Range : 40 to 70% (Note 2)
--------	---	---	--

Item	Specification	Condition
1. Insulation Resistance	1000M ohms min.	500V DC
2. Withstanding voltage	No flashover or insulation breakdown.	650V AC/1 minute
3. Contact Resistance	15m ohms max.	0.1A
4. Vibration	No electrical discontinuity of 1 μ s or more	Frequency: 10 to 55 Hz, single amplitude of 0.75 mm, 2 hours in each of the 3 directions.
5. Humidity (Steady state)	Insulation resistance: 1000M ohms min.	96 hours at temperature of 40°C and humidity of 90% to 95%
6. Temperature Cycle	No damage, cracks, or parts looseness.	(-65°C: 30 minutes → 15 to 35°C: 5 minutes max. 125°C: 30 minutes → 15 to 35°C: 5 minutes max.) 5 cycles
7. Durability (Mating/un-mating)	Contact resistance: 15m ohms max.	500 cycles
8. Resistance to Soldering heat	No deformation of components affecting performance.	Flow: 260°C for 10 seconds Manual soldering: 300°C for 3 seconds

Note 1: Includes temperature rise caused by current flow.

Note 2: The term "storage" refers to products stored for long period of time prior to mounting and use. Operating Temperature Range and Humidity range covers non conducting condition of installed connectors in storage, shipment or during transportation.

■ Material

Part	Material		Finish		Remarks
Insulator	PBT		Black		UL94V-0
Socket Contact	D	Beryllium copper	Connection area	Gold plated	_____
			Connection area	Gold plated	
	DA	Copper alloy	Connection area	Gold plated	
			Connection area	Tin lead plated	
Pin header contact	Brass		Selective Gold plated		_____

■ Ordering Information

● Socket

HIF **3B** - ***** **D** **A** - **2.54** **R**
 ① ② ③ ④ ⑤ ⑥ ⑦

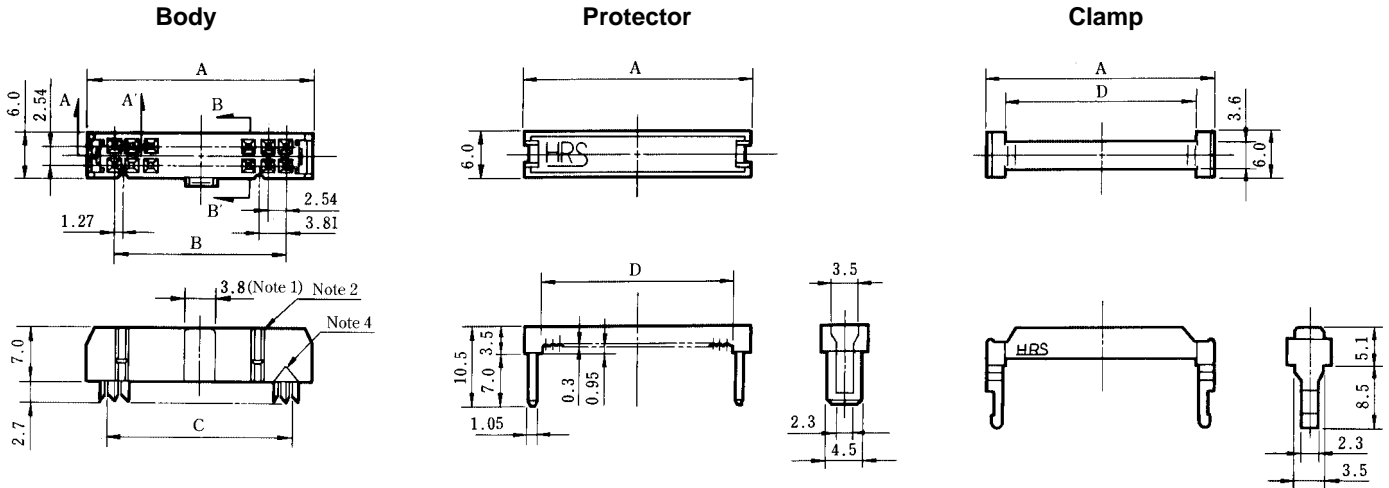
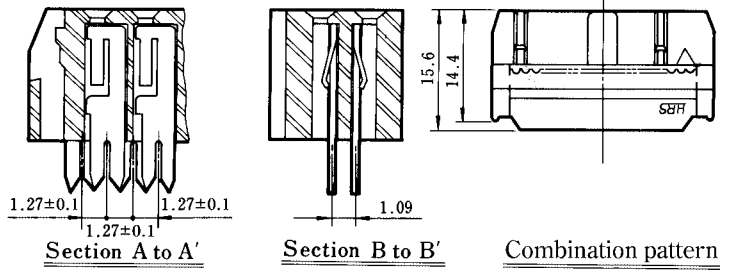
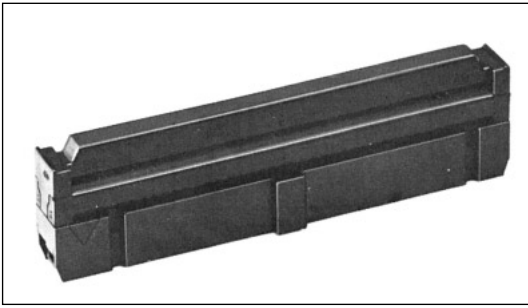
① Series Name	: HIF
② Series No.	: 3B, 3BA, 3BB (50, 60, 64 contacts only)
③ Number of contacts	: 16, 20, 26, 30, 34, 40, 50, 60, 64
④ Contact alignment	: D : Double
⑤ A	: VA type
⑥ Contact pitch	: 2.54mm
⑦ Connection type	R : ID type

● Pin Header

HIF **3B** - ***** **P** **A** - **2.54** **DS**
 ① ② ③ ④ ⑤ ⑥ ⑦

① Series Name	: HIF
② Series No.	: 3B : (14 contacts not included) 3BC: (10 contacts only) 3BA, 3BB: (50, 60, 64 contacts only) 3BD: (10 contacts only)
③ Number of contacts	: 16, 20, 26, 30, 34, 40, 50, 60, 64
④ P	: Pin header
⑤ A	: Selective gold plated
⑥ Contact pitch	: 2.54mm
⑦ Contact style	DS : Right angle type DSA : Straight type

■Socket (With guide to prevent mis-insertion)



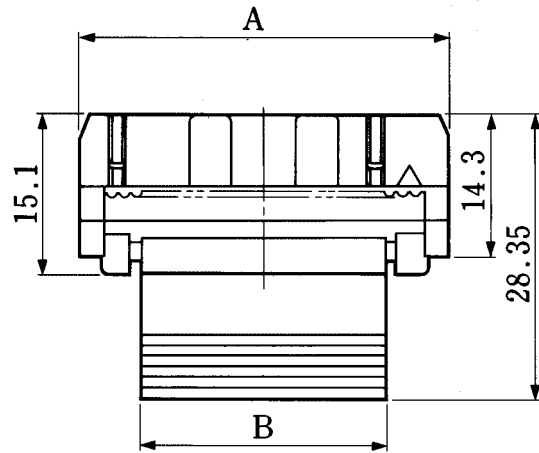
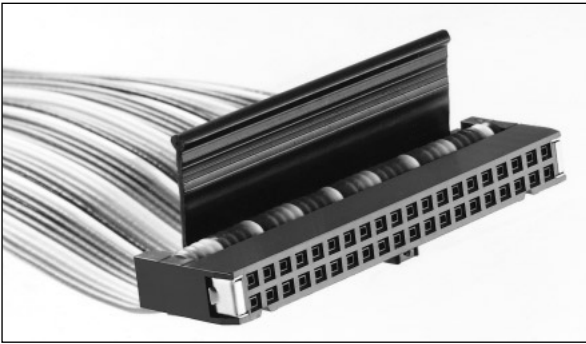
Note1, Note2: The number of polarizing keys and polarizing keyways changes according to products. Refer to the list as shown below.
 Note3: The 50, 60 and 64 contact connector contain two types of polarizing guides. Use the products, referring to Notes 1 and 2.
 Note4: The 6 contact has no polarizing mark.

Unit:mm

Part Number	CL No.	Part Number	CL No.	Number of Contacts	A	B	C	D	Polarizing Guide (Note 1)	Polarizing Keyway (Note 2)
HIF3BA- 6D-2.54R	610-0032-3			6	12.19	5.08	6.35	7.72	One at center	None
HIF3BA-10D-2.54R	610-0021-7	HIF3BA-10DA-2.54R	610-0651-5	10	17.27	10.16	11.43	12.8		One on left side
★ HIF3BA-14D-2.54R	610-0022-0	HIF3BA-14DA-2.54R	610-0652-8	14	22.35	15.24	16.51	17.88		One on right and left sides, resp.
★ HIF3BA-16D-2.54R	610-0023-2	HIF3BA-16DA-2.54R	610-0653-0	16	24.89	17.78	19.05	20.42		
★ HIF3BA-20D-2.54R	610-0024-5	HIF3BA-20DA-2.54R	610-0654-3	20	29.97	22.86	24.13	25.5		
★ HIF3BA-26D-2.54R	610-0025-8	HIF3BA-26DA-2.54R	610-0655-6	26	37.59	30.48	31.75	33.12		
★ HIF3BA-30D-2.54R	610-0026-0	HIF3BA-30DA-2.54R	610-0656-9	30	42.67	35.56	36.83	38.2		
★ HIF3BA-34D-2.54R	610-0027-3	HIF3BA-34DA-2.54R	610-0657-1	34	47.75	40.64	41.91	43.28		
★ HIF3BA-40D-2.54R	610-0028-6	HIF3BA-40DA-2.54R	610-0658-4	40	55.37	48.26	49.53	50.9		One on right and left sides, resp.
★ HIF3BA-50D-2.54R	610-0029-9	HIF3BA-50DA-2.54R	610-0659-7	50	68.07	60.96	62.23	63.6		
★ HIF3BB-50D-2.54R	610-0041-4	HIF3BB-50DA-2.54R	610-0671-2	50	68.07	60.96	62.23	63.6	One at center	
★ HIF3BA-60D-2.54R	610-0030-8	HIF3BA-60DA-2.54R	610-0660-6	60	80.77	73.66	74.93	76.3	One on right and left sides, resp.	
★ HIF3BB-60D-2.54R	610-0042-7	HIF3BB-60DA-2.54R	610-0672-5	60	80.77	73.66	74.93	76.3	One at center	
★ HIF3BA-64D-2.54R	610-0031-0	HIF3BA-64DA-2.54R	610-0661-9	64	85.85	78.74	80.01	81.38	One on right and left sides, resp.	
★ HIF3BB-64D-2.54R	610-0043-0	HIF3BB-64DA-2.54R	610-0673-8	64	85.85	78.74	80.01	81.38	One at center	

The products marked with ★ comply with MIL standard.

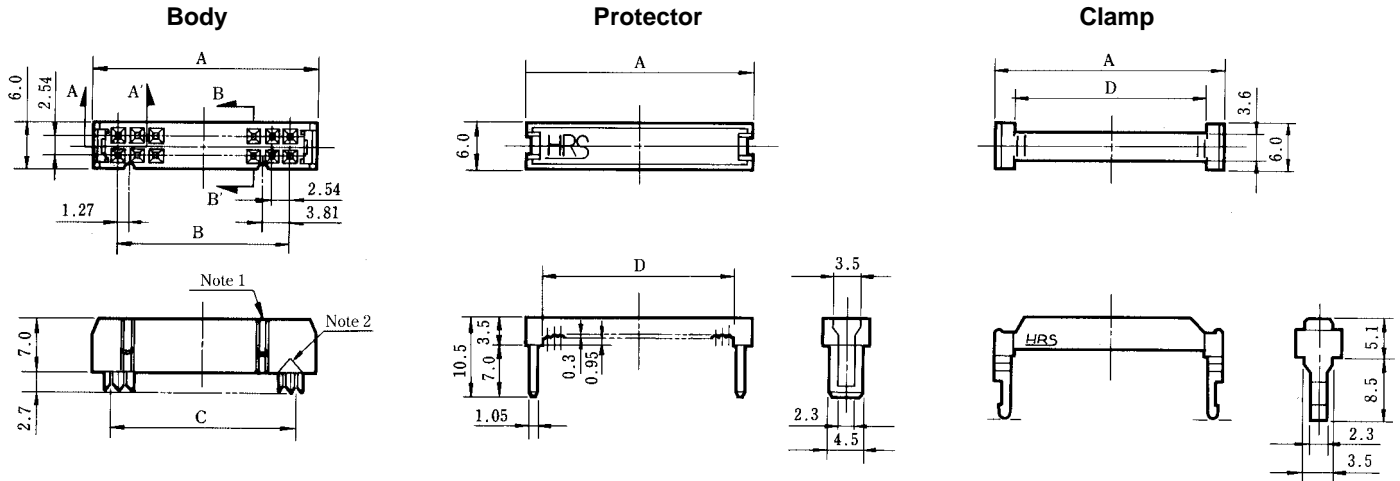
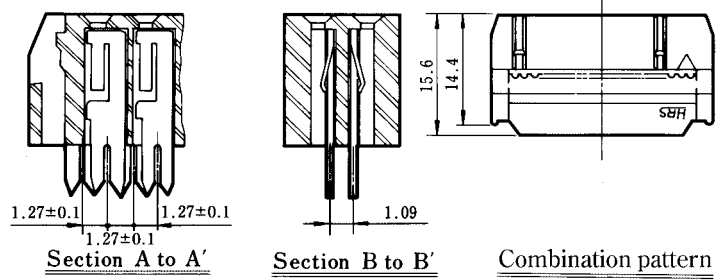
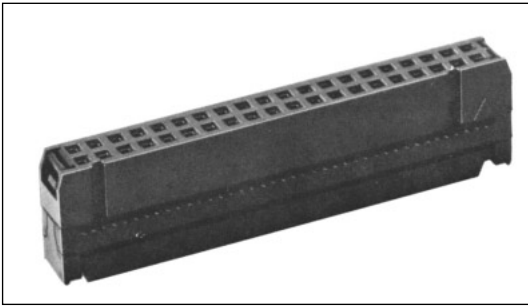
■Socket with Withdrawal Tab



Unit : mm

Part Number	CL No.	Number of Contacts	A	B
HIF3BA-10D-2.54R-CL	610-0190-4	10	17.27	5.3
HIF3BA-16D-2.54R-CL	610-0192-0	16	24.89	12.9
HIF3BA-20D-2.54R-CL	610-0193-2	20	29.97	18.0
HIF3BA-26D-2.54R-CL	610-0194-5	26	37.59	25.5
HIF3BA-30D-2.54R-CL	610-0195-8	30	42.67	30.5
HIF3BA-34D-2.54R-CL	610-0196-0	34	47.75	35.8
HIF3BA-40D-2.54R-CL	610-0197-3	40	55.37	43.4
HIF3BA-50D-2.54R-CL	610-0198-6	50	68.07	56.0
HIF3BB-50D-2.54R-CL	610-0201-9			
HIF3BA-60D-2.54R-CL	610-0199-9	60	80.77	68.5
HIF3BB-60D-2.54R-CL	610-0202-1			
HIF3BA-64D-2.54R-CL	610-0200-6	64	85.85	73.8
HIF3BB-64D-2.54R-CL	610-0203-4			

Socket



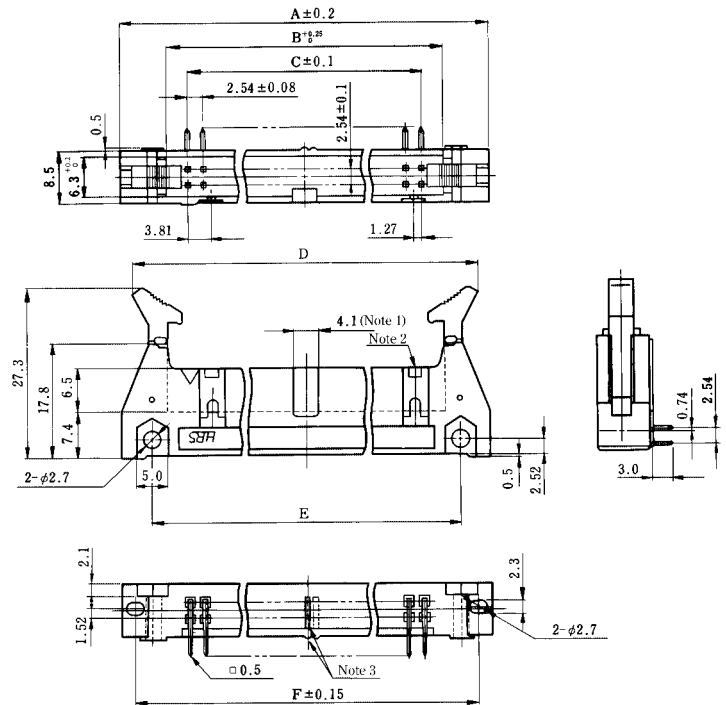
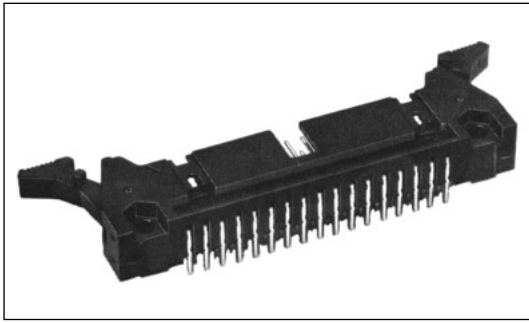
Note1: The number of polarizing keys and polarizing keyways changes according to products. For details, refer to the list as shown below.
 Note2: The 6 contact has no polarizing mark.

Unit:mm

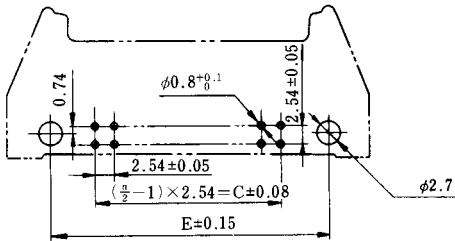
Part Number	CL No.	Number of Contacts	A	B	C	D	Polarizing Guide (Note 1)
HIF3B- 6D-2.54R	610-0012-6	6	12.19	5.08	6.35	7.72	None
★ HIF3B-10D-2.54R	610-0001-0	10	17.27	10.16	11.43	12.80	One on left side
★ HIF3B-14D-2.54R	610-0002-2	14	22.35	15.24	16.51	17.88	
★ HIF3B-16D-2.54R	610-0003-5	16	24.89	17.78	19.05	20.42	One on right and left sides, resp.
★ HIF3B-20D-2.54R	610-0004-8	20	29.97	22.86	24.13	25.50	
★ HIF3B-26D-2.54R	610-0005-0	26	37.59	30.48	31.75	33.12	
★ HIF3B-30D-2.54R	610-0006-3	30	42.67	35.56	36.83	38.2	
★ HIF3B-34D-2.54R	610-0007-6	34	47.75	40.64	41.91	43.28	
★ HIF3B-40D-2.54R	610-0008-9	40	55.37	48.26	49.53	50.90	
★ HIF3B-50D-2.54R	610-0009-1	50	68.07	60.96	62.23	63.6	
★ HIF3B-60D-2.54R	610-0010-0	60	80.77	73.66	74.93	76.3	
★ HIF3B-64D-2.54R	610-0011-3	64	85.85	78.74	80.01	81.38	

The products marked with ★ comply with MIL standard.

■Four Wall Angle Through hole



◆PCB mounting pattern



■n=number of contacts

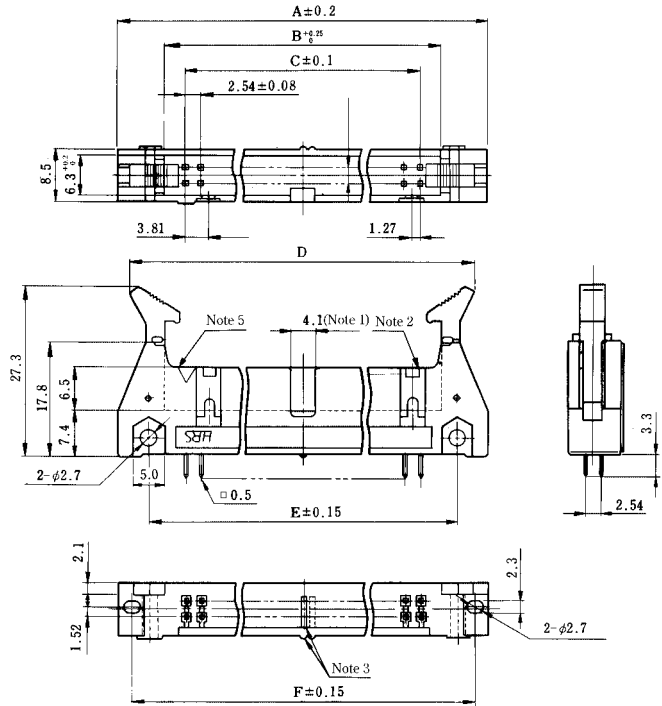
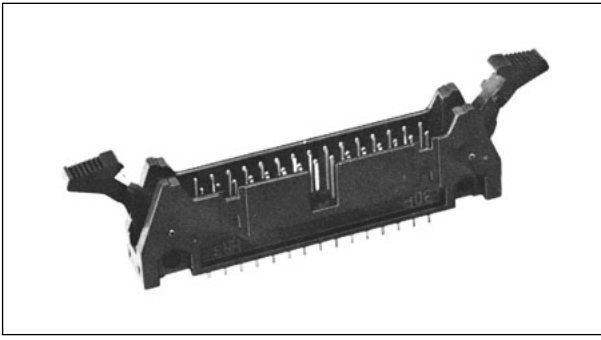
- Note 1, Note 2: The number of polarizing slot and key installed positions changes according to products. Refer to the list as shown below.
- Note 3: The spacer moves to the right according to the number of contacts.
- Note 4: The 10, 50, 60 and 64 contact connectors contain two types of polarizing slots.
Use products, referring to (Note 1) (Note 2).

Unit:mm

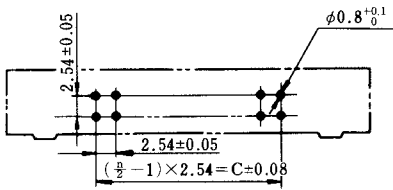
Part Number	CL No.	Number of Contacts	A	B	C	D	E	F	Polarizing Slot (Note 1)	Polarizing Key Install (Note 2)
★ HIF3BA-10PA-2.54DS	610-0091-2	10	32.0	17.5	10.16	28.14 MAX51.1	21.8	27.9	None	One on right side
HIF3BD-10PA-2.54DS	610-0171-0	10	32.0	17.5	10.16	28.14 MAX51.1	21.8	27.9	None	None
★ HIF3BA-14PA-2.54DS	610-0092-5	14	37.1	22.6	15.24	33.24 MAX56.2	26.9	33.0		One on right side
★ HIF3BA-16PA-2.54DS	610-0093-8	16	39.6	25.1	17.78	35.74 MAX58.7	29.5	35.5	One at center	One on right and left sides, resp.
★ HIF3BA-20PA-2.54DS	610-0094-0	20	44.7	30.2	22.86	40.84 MAX63.8	34.5	40.6		
★ HIF3BA-26PA-2.54DS	610-0095-3	26	52.3	37.8	30.48	48.44 MAX71.4	42.2	48.3		
★ HIF3BA-30PA-2.54DS	610-0096-6	30	57.4	42.9	35.56	53.54 MAX76.5	47.2	53.3		
★ HIF3BA-34PA-2.54DS	610-0097-9	34	62.5	48.0	40.64	58.64 MAX81.6	52.3	58.4		
★ HIF3BA-40PA-2.54DS	610-0098-1	40	70.1	55.6	48.26	66.24 MAX89.2	59.9	66.0		
★ HIF3BA-50PA-2.54DS	610-0099-4	50	82.8	68.3	60.96	78.94 MAX101.9	72.6	78.7		
★ HIF3BB-50PA-2.54DS	610-0131-5	50	82.8	68.3	60.96	78.94 MAX101.9	72.6	78.7	One at center	One on right and left sides, resp.
★ HIF3BA-60PA-2.54DS	610-0100-1	60	95.5	81.0	73.66	91.64 MAX114.6	85.3	91.4	One on right and left sides, resp.	
★ HIF3BB-60PA-2.54DS	610-0132-8	60	95.5	81.0	73.66	91.64 MAX114.6	85.3	91.4	One at center	
★ HIF3BA-64PA-2.54DS	610-0101-4	64	100.6	86.1	78.74	96.74 MAX119.7	90.4	96.5	One on right and left sides, resp.	
★ HIF3BB-64PA-2.54DS	610-0133-0	64	100.6	86.1	78.74	96.74 MAX119.7	90.4	96.5	One at center	

The products marked with ★ comply with MIL standard.

Four-Wall Straight Through hole



PCB mounting pattern



n=number of contacts

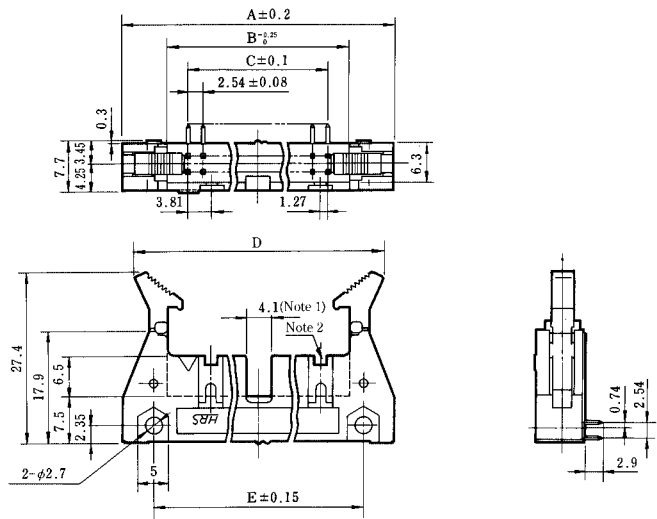
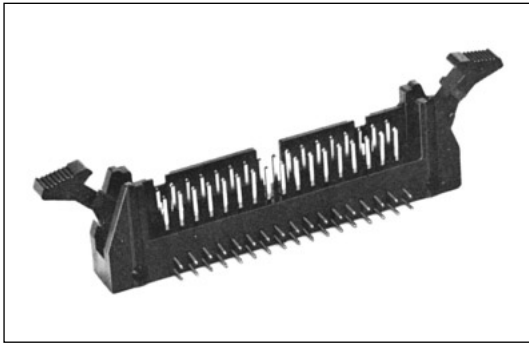
- Note 1, Note 2: The number of polarizing slot and key installed positions changes according to products. Refer to the list as shown below.
- Note 3: The spacer moves to the right according to the number of contacts.
- Note 4: The 10, 50, 60 and 64 contact connectors contain two types of polarizing slots. Use products, confirming (Note 1) (Note 2).
- Note 5: The 6 contact has no polarity mark.

Unit:mm

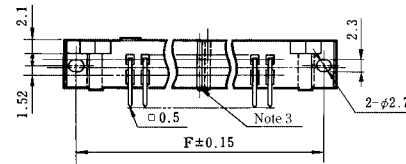
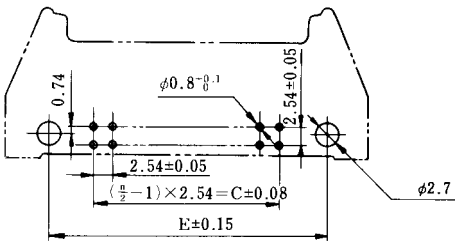
Part Number	CL No.	Number of Contacts	A	B	C	D	E	F	Polarizing Slot (Note 1)	Polarizing Key Install (Note 2)
★ HIF3-6PA-2.54DSA	562-0503-9	6	26.92	12.42	5.08	23.06 MAX46.02	16.7	22.82	One at center	None
HIF3BA-10PA-2.54DSA	610-0111-8	10	32.0	17.5	10.16	28.14 MAX51.1	21.8	27.9	None	One on right side
★ HIF3BD-10PA-2.54DSA	610-0181-3	10	32.0	17.5	10.16	28.14 MAX51.1	21.8	27.9	One at center	None
★ HIF3BA-14PA-2.54DSA	610-0112-0	14	37.1	22.6	15.24	33.24 MAX56.2	26.9	33.0		One on right side
★ HIF3BA-16PA-2.54DSA	610-0113-3	16	39.6	25.1	17.78	35.74 MAX58.7	29.5	35.5		One on right and left sides, resp.
★ HIF3BA-20PA-2.54DSA	610-0114-6	20	44.7	30.2	22.86	40.84 MAX63.8	34.5	40.6		
★ HIF3BA-26PA-2.54DSA	610-0115-9	26	52.3	37.8	30.48	48.44 MAX71.4	42.2	48.3		
★ HIF3BA-30PA-2.54DSA	610-0116-1	30	57.4	42.9	35.56	53.54 MAX76.5	47.2	53.3		
★ HIF3BA-34PA-2.54DSA	610-0117-4	34	62.5	48.0	40.64	58.64 MAX81.6	52.3	58.4		
★ HIF3BA-40PA-2.54DSA	610-0118-7	40	70.1	55.6	48.26	66.24 MAX89.2	59.9	66.0		
★ HIF3BA-50PA-2.54DSA	610-0119-0	50	82.8	68.3	60.96	78.94 MAX101.9	72.6	78.7		
★ HIF3BB-50PA-2.54DSA	610-0141-9	50	82.8	68.3	60.96	78.94 MAX101.9	72.6	78.7		
★ HIF3BA-60PA-2.54DSA	610-0120-9	60	95.5	81.0	73.66	91.64 MAX114.6	85.3	91.4	One on right and left sides, resp.	
★ HIF3BB-60PA-2.54DSA	610-0142-1	60	95.5	81.0	73.66	91.64 MAX114.6	85.3	91.4	One at center	
★ HIF3BA-64PA-2.54DSA	610-0121-1	64	100.6	86.1	78.74	96.74 MAX119.7	90.4	96.5	One on right and left sides, resp.	
★ HIF3BB-64PA-2.54DSA	610-0143-4	64	100.6	86.1	78.74	96.74 MAX119.7	90.4	96.5	One at center	

The products marked with ★ comply with MIL standard.

■Three Wall Angle Type



◆PCB mounting pattern



■n=number of contacts

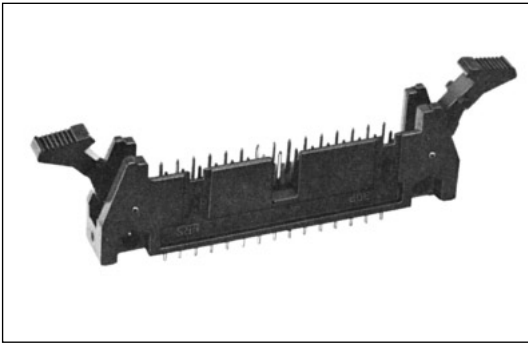
- Note 1, Note 2: The number of polarizing slot and key installed positions changes according to products. Refer to the list as shown below.
 Note 3: The spacer moves according to the number of contacts.
 Note 4: The 10 contact connector consists of two types.
 Use products, confirming (Note 1) (Note 2).
 Note 5: The 6 contact has no polarity mark.
 Note 6: The nut built-in specification product is also provided.
 The product can be fixed by M2 screws from the rear side.
 Use the screw of (board thickness) +4 mm under the neck.

Unit:mm

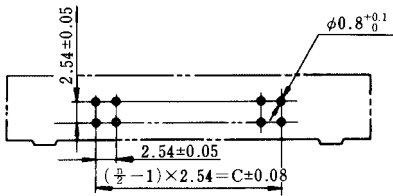
Part Number	CL No.	Number of Contacts	A	B	C	D	E	F	Polarizing Slot (Note 1)	Polarizing Key Install (Note 2)
★ HIF3B -10PA-2.54DS	610-0051-8	10	32.0	17.5	10.16	28.14 MAX51.1	21.8	27.9	None	One on right side
HIF3BC-10PA-2.54DS	610-0151-2	10	32.0	17.5	10.16	28.14 MAX51.1	21.8	27.9	One at center	None
★ HIF3B -16PA-2.54DS	610-0052-0	16	39.6	25.1	17.78	35.74 MAX58.7	29.5	35.5		One on right and left sides, resp.
★ HIF3B -20PA-2.54DS	610-0053-3	20	44.7	30.2	22.86	40.84 MAX63.9	34.5	40.6		
★ HIF3B -26PA-2.54DS	610-0054-6	26	52.3	37.8	30.48	48.44 MAX71.4	42.2	48.3		
★ HIF3B -30PA-2.54DS	610-0055-9	30	57.4	42.9	35.56	53.54 MAX76.5	47.2	53.3		
★ HIF3B -34PA-2.54DS	610-0056-1	34	62.5	48.0	40.64	58.64 MAX81.6	52.3	58.4		
★ HIF3B -40PA-2.54DS	610-0057-4	40	70.1	55.6	48.26	66.24 MAX89.2	59.9	66.0		
★ HIF3B -50PA-2.54DS	610-0058-7	50	82.8	68.3	60.96	78.94 MAX101.9	72.6	78.7	One on right and left sides, resp.	
★ HIF3B -60PA-2.54DS	610-0059-0	60	95.5	81.0	73.66	91.64 MAX114.6	85.3	91.4		
★ HIF3B -64PA-2.54DS	610-0060-9	64	100.6	86.1	78.74	96.74 MAX119.7	90.4	96.5		

The products marked with ★ comply with MIL standard.

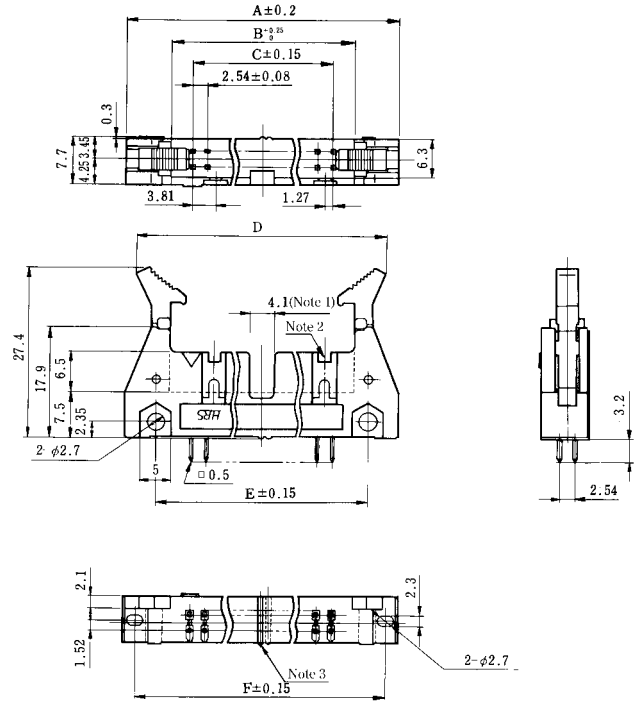
Three Wall Straight Through hole



PCB mounting pattern



n=number of contacts



Note1, Note2: The number of polarizing slot and key installed positions changes according to products. Refer to the list as shown below.

Note3: The spacer moves to the right according to the number of contacts.

Note4: The 10 contact connector consists of two types. Use products, referring to (Note 1) and (Note 2).

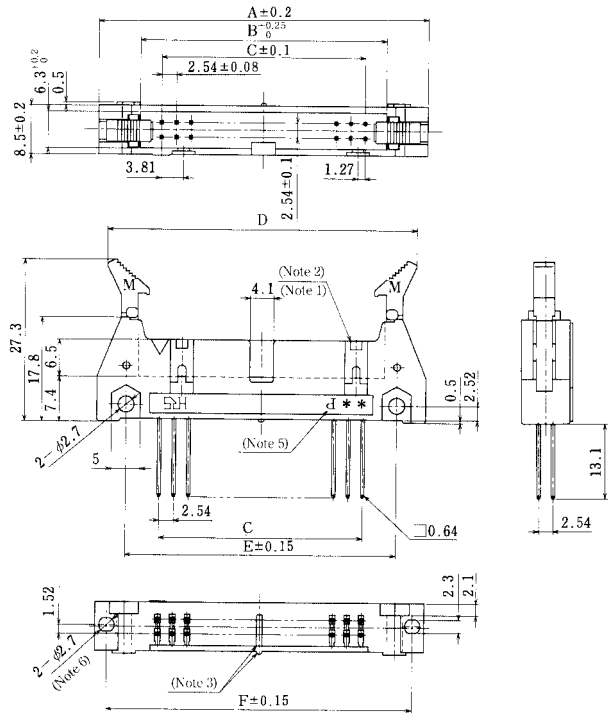
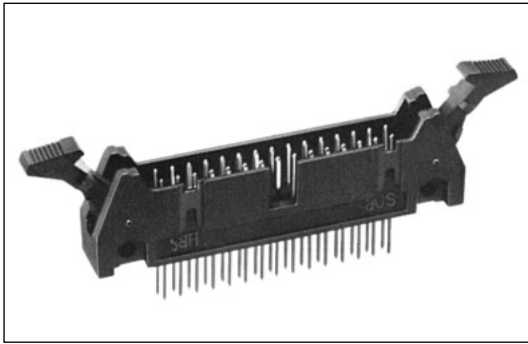
Note5: The 6 contact has no polarity mark.

Unit:mm

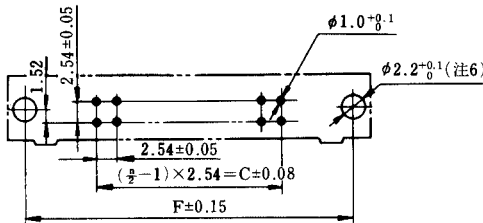
Part Number	CL No.	Number of Contacts	A	B	C	D	E	F	Polarizing Slot (Note 1)	Polarizing Key Install (Note 2)
★ HIF3B -10PA-2.54DSA	610-0071-5	10	32.0	17.5	10.16	28.14 MAX51.1	21.8	27.9	None	One on right side
HIF3BC-10PA-2.54DSA	610-0161-6	10	32.0	17.5	10.16	28.14 MAX51.1	21.8	27.9	One at center	None
★ HIF3B -16PA-2.54DSA	610-0072-8	16	39.6	25.1	17.78	35.74 MAX58.7	29.5	35.5		One on right and left sides, resp.
★ HIF3B -20PA-2.54DSA	610-0073-0	20	44.7	30.2	22.86	40.84 MAX63.8	34.5	40.6		
★ HIF3B -26PA-2.54DSA	610-0074-3	26	52.3	37.8	30.48	48.44 MAX71.4	42.2	48.3		
★ HIF3B -30PA-2.54DSA	610-0075-6	30	57.4	42.9	35.56	53.54 MAX76.5	47.2	53.3		
★ HIF3B -34PA-2.54DSA	610-0076-9	34	62.5	48.0	40.64	58.64 MAX81.6	52.3	58.4		
★ HIF3B -40PA-2.54DSA	610-0077-1	40	70.1	55.6	48.26	66.24 MAX89.2	59.9	66.0		
★ HIF3B -50PA-2.54DSA	610-0078-4	50	82.8	68.3	60.96	78.94 MAX101.9	72.6	78.7	One on right and left sides, resp.	
★ HIF3B -60PA-2.54DSA	610-0079-7	60	95.5	81.0	73.66	91.64 MAX114.6	85.3	91.4		
★ HIF3B -64PA-2.54DSA	610-0080-6	64	100.6	86.1	78.74	96.74 MAX119.7	90.4	96.5		

The products marked with ★ comply with MIL standard.

■Four Wall Wrapping Type



◆PCB mounting pattern



■n=number of contacts

- Note 1, Note 2. The number of polarizing slot and key installed positions changes according to products. Refer to the list as shown below.
- Note 3. The spacer moves to the right according to the number of contacts.
- Note 4. The 10, 50, 60 and 64 contact connectors consists of two types. Use products, confirming (Note 1) (Note 2).
- Note 5. The mark * indicates the number of contacts.
- Note 6. The nut built-in specification product is also provided. The product can be fixed by M2 screws from the rear side. Use the screw of (board thickness) +4 mm under the neck.

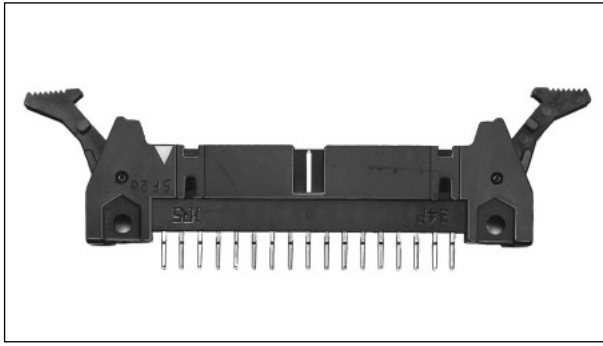
Unit:mm

Part Number	CL No.	Number of Contacts	A	B	C	D	E	F	Polarizing Slot (Note 1)	Polarizing Key Install (Note 2)
★ HIF3BA-10P-2.54W	610-0503-8	10	32.0	17.5	10.16	28.14 MAX51.1	21.8	27.9	None	One on right side
HIF3BD-10P-2.54W	610-0492-3	10	32.0	17.5	10.16	28.14 MAX51.1	21.8	27.9	None	None
★ HIF3BA-14P-2.54W	610-0493-6	14	37.1	22.6	15.24	33.24 MAX56.2	26.9	33.0	One at center	One on right side
★ HIF3BA-16P-2.54W	610-0494-9	16	39.6	25.1	17.78	35.74 MAX58.7	29.5	35.5	One at center	One on right and left sides, resp.
★ HIF3BA-20P-2.54W	610-0495-1	20	44.7	30.2	22.86	40.84 MAX63.8	34.5	40.6	One at center	
★ HIF3BA-26P-2.54W	610-0496-4	26	52.3	37.8	30.48	48.44 MAX71.4	42.2	48.3	One at center	
★ HIF3BA-30P-2.54W	610-0497-7	30	57.4	42.9	35.56	53.54 MAX76.5	47.2	53.3	One at center	
★ HIF3BA-34P-2.54W	610-0498-0	34	62.5	48.0	40.64	58.64 MAX81.6	52.3	58.4	One at center	
★ HIF3BA-40P-2.54W	610-0499-2	40	70.1	55.6	48.26	66.24 MAX89.2	59.9	66.0	One at center	
★ HIF3BA-50P-2.54W	610-0504-0	50	82.8	68.3	60.96	78.94 MAX101.9	72.6	78.7	One on right and left sides, resp.	
★ HIF3BB-50P-2.54W	610-0500-0	50	82.8	68.3	60.96	78.94 MAX101.9	72.6	78.7	One at center	
★ HIF3BA-60P-2.54W	610-0505-3	60	95.5	81.0	73.66	91.64 MAX114.6	85.3	91.4	One on right and left sides, resp.	
★ HIF3BB-60P-2.54W	610-0501-2	60	95.5	81.0	73.66	91.64 MAX114.6	85.3	91.4	One at center	
★ HIF3BA-64P-2.54W	610-0506-6	64	100.6	86.1	78.74	96.74 MAX119.7	90.4	96.5	One on right and left sides, resp.	
★ HIF3BB-64P-2.54W	610-0502-5	64	100.6	86.1	78.74	96.74 MAX119.7	90.4	96.5	One at center	

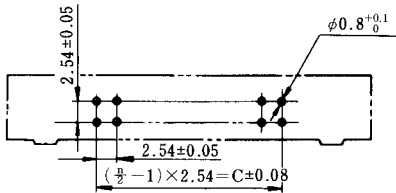
The products marked with ★ comply with MIL standard.

■Four Wall Straight Through hole

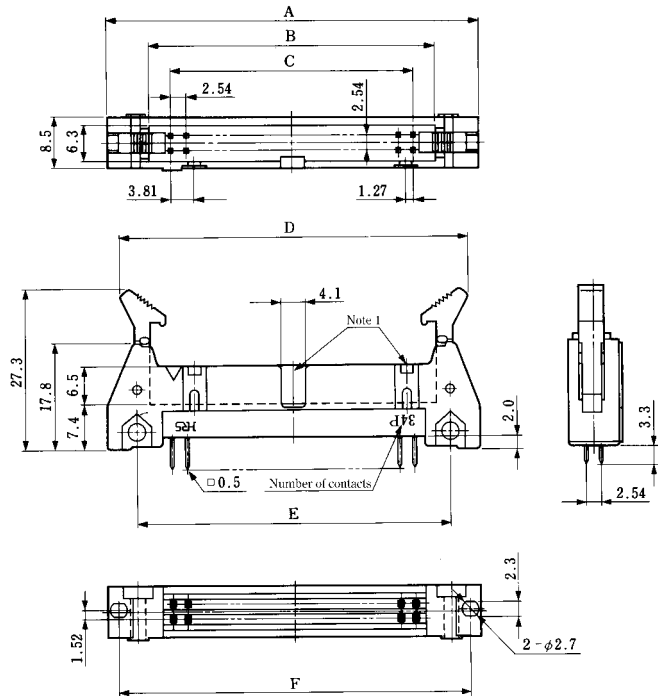
[Flux Blister Prevention Type]



◆PCB mounting pattern



■n=number of contacts



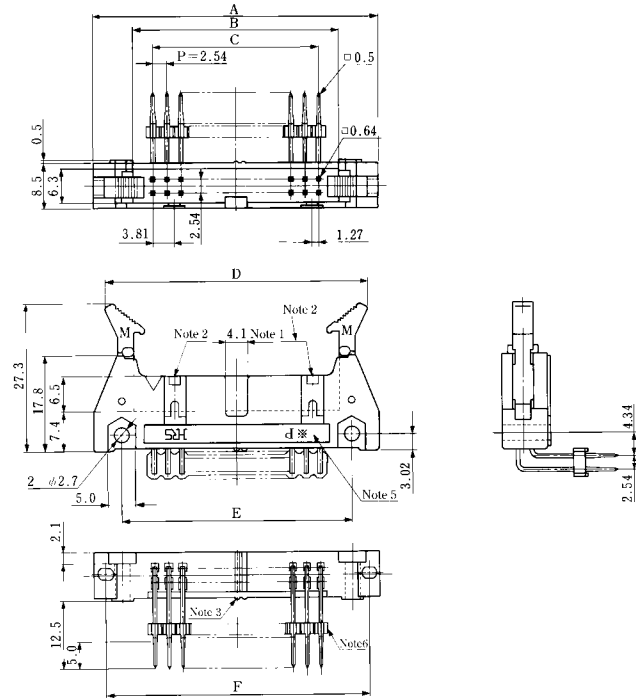
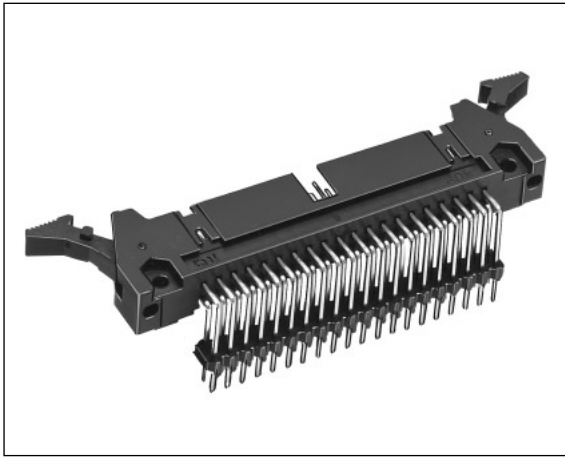
Note1: The number of polarizing slot and key installed positions changes according to products. Refer to the list as shown below.

Unit:mm

Part Number	CL No.	Number of Contacts	A	B	C	D	E	F	Polarizing Slot	Polarizing Key Install
★ HIF3CA-10PA-2.54DSA	610-0701-1	10	32.0	17.5	10.16	28.14 MAX51.1	21.8	27.9	None	One on right side
HIF3CD-10PA-2.54DSA	610-0722-1	10	32.0	17.5	10.16	28.14 MAX51.1	21.8	27.9	One at center	None
★ HIF3CA-16PA-2.54DSA	610-0703-7	16	39.6	25.1	17.78	35.74 MAX58.7	29.5	35.5		One on right and left sides, resp.
★ HIF3CA-20PA-2.54DSA	610-0704-0	20	44.7	30.2	22.86	40.84 MAX63.8	34.5	40.6	One on right and left sides, resp.	
★ HIF3CA-26PA-2.54DSA	610-0705-2	26	52.3	37.8	30.48	48.44 MAX71.4	42.2	48.3		One at center
★ HIF3CA-30PA-2.54DSA	610-0706-5	30	57.4	42.9	35.56	53.54 MAX76.5	47.2	53.3	One at center	
★ HIF3CA-34PA-2.54DSA	610-0707-8	34	62.5	48.0	40.64	58.64 MAX81.6	52.3	58.4		One at center
★ HIF3CA-40PA-2.54DSA	610-0708-0	40	70.1	55.6	48.26	66.24 MAX89.2	59.9	66.0	One at center	
★ HIF3CA-50PA-2.54DSA	610-0709-3	50	82.8	68.3	60.96	78.94 MAX101.9	72.6	78.7		One at center
★ HIF3CB-50PA-2.54DSA	610-0721-9	50	82.8	68.3	60.96	78.94 MAX101.9	72.6	78.7	One at center	
★ HIF3CB-60PA-2.54DSA	610-0723-4	60	95.5	81.0	73.66	91.64 MAX114.6	85.3	91.4		One at center
★ HIF3CB-64PA-2.54DSA	610-0724-7	64	100.6	86.1	78.74	96.74 MAX119.7	90.4	96.5	One at center	

The products marked with ★ comply with MIL standard.

Two Stage Staking Right Angle Through hole



Note 1, Note 2: The number of polarizing slot and key installed positions changes according to products. Refer to the list as shown below.

Note 3: The spacer moves to the right according to the number of contacts.

Note 4: The 10, 50, 60 and 64 contact connectors consists of two types.
Use products, confirming (Note 1) (Note 2).

Note 5: The mark * indicates the number of contacts.

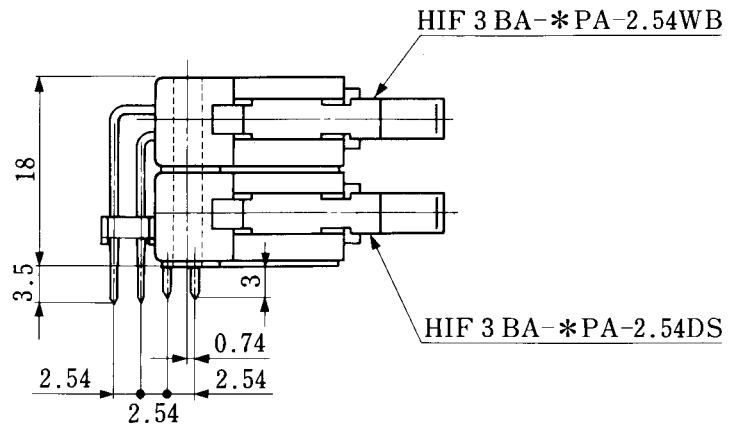
Note 6: The locator is located optionally.

Unit:mm

Part Number	CL No.	Number of Contacts	A	B	C	D	E	F	Polarizing Slot (Note 1)	Polarizing Key Install (Note 2)
★ HIF3BA-10PA-2.54WB	610-1502-0	10	32.0	17.5	10.16	28.14 MAX51.1	21.8	27.9	None	One on right side
HIF3BD-10PA-2.54WB	610-1503-3	10	32.0	17.5	10.16	28.14 MAX51.1	21.8	27.9	None	None
★ HIF3BA-16PA-2.54WB	610-1505-9	16	39.6	25.1	17.78	35.74 MAX58.7	29.5	35.5		
★ HIF3BA-20PA-2.54WB	610-1506-1	20	44.7	30.2	22.86	40.84 MAX63.9	34.5	40.6	One at center	One on right and left sides, resp.
★ HIF3BA-26PA-2.54WB	610-1507-4	26	52.3	37.8	30.48	48.44 MAX71.4	42.2	48.3		
★ HIF3BA-30PA-2.54WB	610-1508-7	30	57.4	42.9	35.56	53.54 MAX76.5	47.2	53.3		
★ HIF3BA-34PA-2.54WB	610-1509-0	34	62.5	48.0	40.64	58.64 MAX81.6	52.3	58.4		
★ HIF3BA-40PA-2.54WB	610-1510-9	40	70.1	55.6	48.26	66.24 MAX89.2	59.9	66.0		
★ HIF3BA-50PA-2.54WB	610-1511-1	50	82.8	68.3	60.96	78.94 MAX101.9	72.6	78.7	One on right and left sides, resp.	
★ HIF3BB-50PA-2.54WB	610-1512-4	50	82.8	68.3	60.96	78.94 MAX101.9	72.6	78.7	One at center	
★ HIF3BA-60PA-2.54WB	610-1513-7	60	95.5	81.0	73.66	91.64 MAX114.6	85.3	91.4	One on right and left sides, resp.	
★ HIF3BB-60PA-2.54WB	610-1514-0	60	95.5	81.0	73.66	91.64 MAX114.6	85.3	91.4	One at center	
★ HIF3BA-64PA-2.54WB	610-1515-2	64	100.6	86.1	78.74	96.74 MAX119.7	90.4	96.5	One on right and left sides, resp.	
★ HIF3BB-64PA-2.54WB	610-1516-5	64	100.6	86.1	78.74	96.74 MAX119.7	90.4	96.5	One at center	

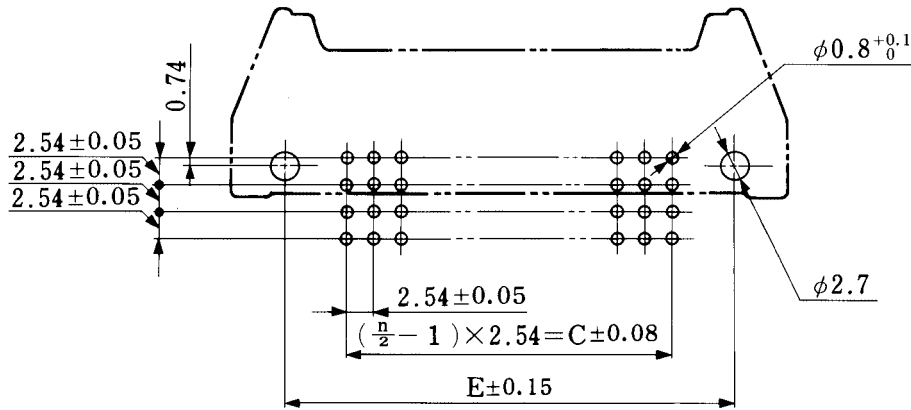
The products marked with ★ comply with MIL standard.

◆Combination Pattern

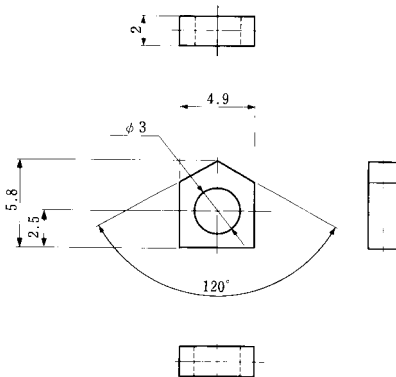


Note : Fix the HIF3-mounting hole spacer by screws between upper stage and lower stage connectors.

◆PCB mounting pattern



■Mounting Hole Spacer

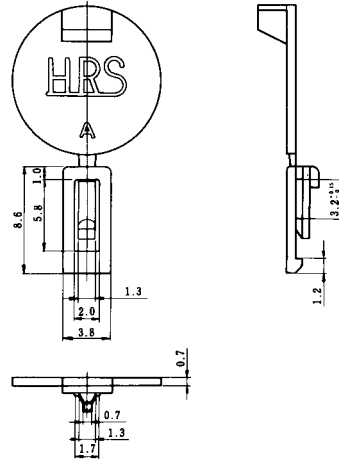


Part Number	CL No.	Finish
HIF-3 mounting hole spacer	562-0714-4	PBT Black

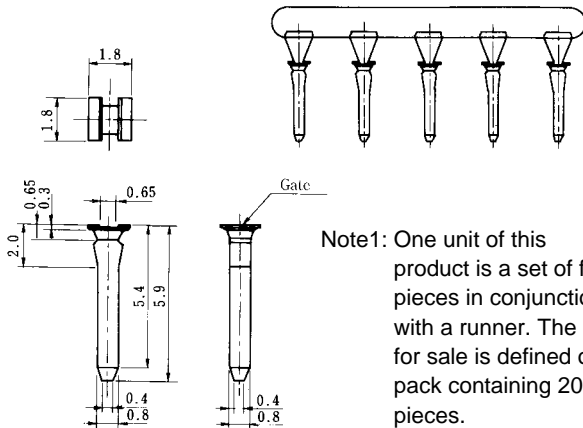
Note : 2 pieces are contained in a bag.

◆Polarizing Key

HIF3B-GK
CL562-0601-8



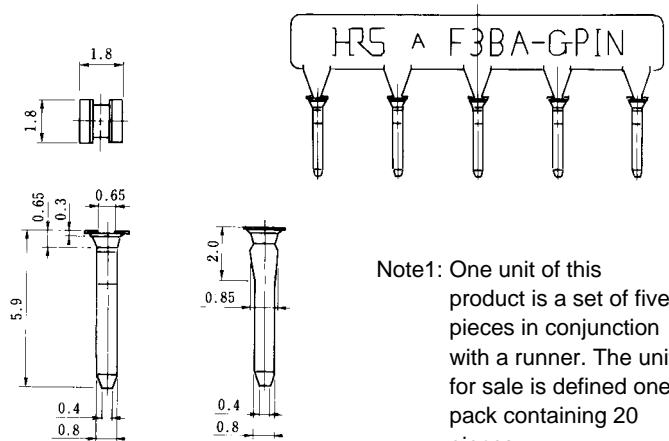
HIF3-GPIN(A)



Note1: One unit of this product is a set of five pieces in conjunction with a runner. The unit for sale is defined one pack containing 20 pieces.

Note2: This product is applicable to HIF3A-*D2.54R, HIF3C-*D2.54C and HIF3BA-*D2.54C products.

HIF3BA-GPIN



Note1: One unit of this product is a set of five pieces in conjunction with a runner. The unit for sale is defined one pack containing 20 pieces.

Note2: This product is applicable to the HIF3BA-*D2.54R product.

Part Number	CL No.	Material	Remarks
HIF3-GPIN(A)	562-0126-6	Poly acetal (white)	A set of 5 pieces

Part Number	CL No.	Material	Remarks
HIF3BA-GPIN	612-0500-2	Poly acetal (white)	A set of 5 pieces

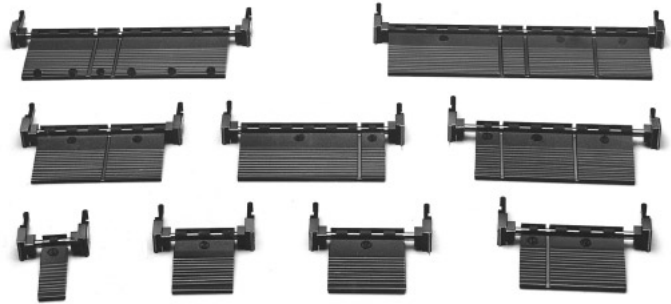
◆HIF3-Multi Clamp



This clamp is used for intermediate connection in the bus-line system, etc. Remove compulsory force from the insulation displacement area of the connector in intermediate connection.

Note: The pin header corresponds to the HIF3BAE series (lock E).

◆HIF3-*CL Pull Tab



This pull tab is used for the HIF3 series equipped with cable clamp function. Remove all compulsory force, which is loaded on the insulation displacement area of the connector for extraction.

Note: This HIF3-* Pull Tab can not be used for HIF3BA-*PD.

Note: The pin header corresponds to the HIF3BAE series (lock E).

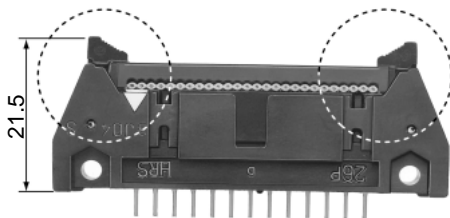


◆Lock

●Low Profile Lock Pin Header

Lock G

Part Number : HIF3BAG-**-PA-2.54DSA

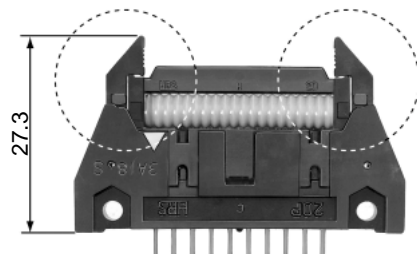


- Low profile type, and used for lock ejection. Connector height is reduced. Since no connector clamp is needed on the cable side, this is used without turning back on the cable side. Take care about this point.

●F Type Lock Pin Header

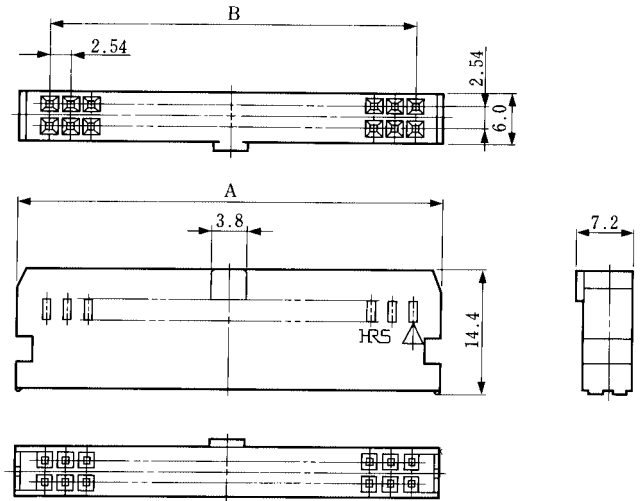
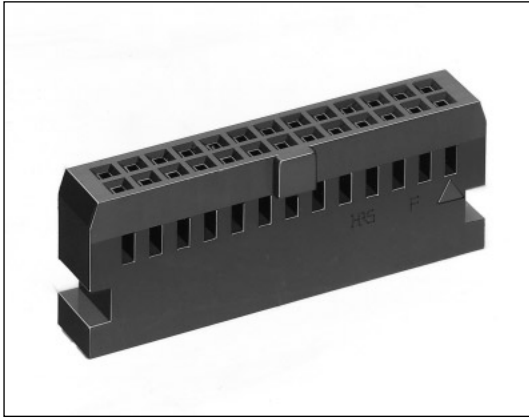
Lock F

Part Number : HIF3BAG-**-PA-2.54DSA



- Locking range more reduced than conventional lock type. Even if connectors are aligned laterally, the mounting space is reduced. Note : The clamp must be replaced for HIF3A socket type 50 contacts only. Take care about this point.

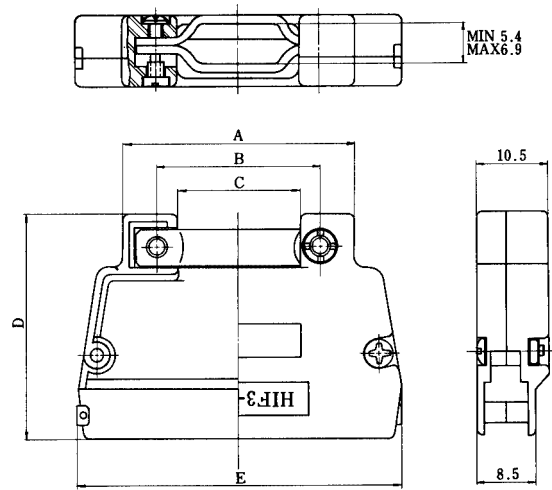
■Socket for Crimping



Unit: mm

Part Number	CL No.	Number of Contacts	A	B	Polarizing Guide
HIF3BA-10D-2.54C	610-1041-0	10	17.25	10.16	One at center
HIF3BA-14D-2.54C	610-1051-3	14	22.35	15.24	
HIF3BA-16D-2.54C	610-1042-2	16	24.8	17.78	
HIF3BA-20D-2.54C	610-1043-5	20	29.95	22.86	
HIF3BA-26D-2.54C	610-1044-8	26	37.55	30.48	
HIF3BA-30D-2.54C	610-1045-0	30	42.63	35.56	
HIF3BA-34D-2.54C	610-1046-3	34	47.75	40.64	
HIF3BA-40D-2.54C	610-1047-6	40	55.35	48.26	One right and left side, resp.
HIF3BA-50D-2.54C	610-1048-9	50	68.04	60.96	
HIF3BB-50D-2.54C	610-1061-7				60
HIF3BA-60D-2.54C	610-1049-1	One at center			
HIF3BB-60D-2.54C	610-1062-0	64	85.85	78.74	
HIF3BA-64D-2.54C	610-1064-5				One at center
HIF3BB-64D-2.54C	610-1063-2				

■Cover Case for Crimping socket

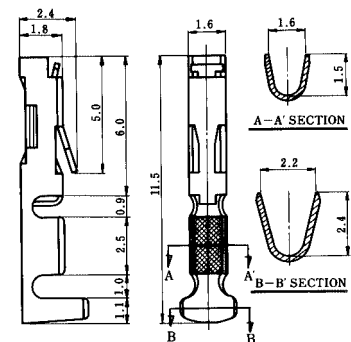
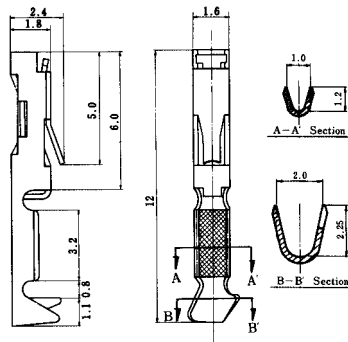
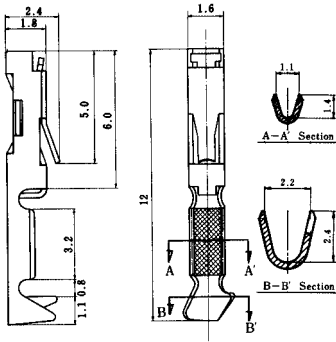


Unit: mm

Part Number	CL No.	Number of Contacts	A	B	C	D	E
HIF3-20CV	562-0201-0	20	24.5	18.0	12.0	30.5	29.95
HIF3-26CV	562-0202-2	26	30.2	20.0	14.0	32.0	37.55
HIF3-30CV	562-0203-5	30	32.2	22.0	16.0	33.0	42.63
HIF3-34CV	562-0204-8	34	34.2	24.0	18.0	33.5	47.75
HIF3-40CV	562-0205-0	40	36.2	26.0	20.0	35.5	55.35
HIF3-50CV	562-0206-3	50	39.2	29.0	23.0	38.0	68.04
HIF3-60CV	562-0207-6	60	42.2	32.0	26.0	40.5	80.77

Note: The type F lock pin header cannot be used for a mating member.

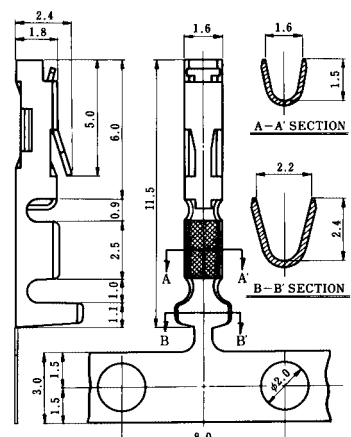
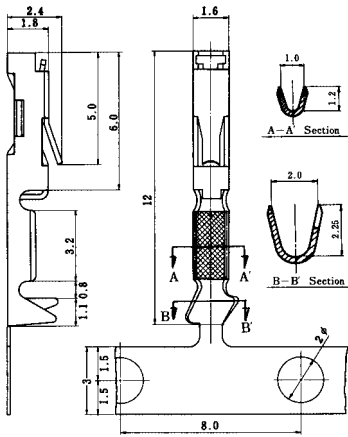
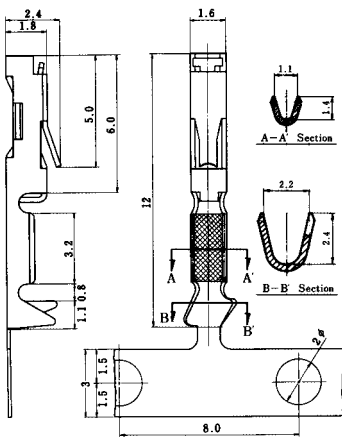
■Contact for Crimping Socket



HIF3-2226SC	562-0079-8	gold plated contact in bag
HIF3-2226SCA	562-0244-2	Selective gold plated contact in bag
Applicable cable	AWG#22 to #26 UL 1007 Stranded wire	
Manual crimping tool	HIF3-T2226HC	

HIF3-2428SC	562-0124-0	gold plated contact in bag
HIF3-2428SCA	562-0246-8	Selective gold plated contact in bag
Applicable cable	AWG#24 to #28 UL 1007 Stranded wire	
Manual crimping tool	HIF3-TA2428HC	

HIF3-2022SC	562-0492-4	gold plated contact in bag
Applicable cable	AWG#20 to #22 UL 1007 Stranded wire	
Manual crimping tool	HIF3-TA2022HC	



HIF3-2226SCF	562-0080-7	gold plated contact in reel
* HIF3-2226SCFA	562-0245-5	Selective gold plated contact in reel
Applicable cable	AWG#22 to #26 UL 1007 Stranded wire	

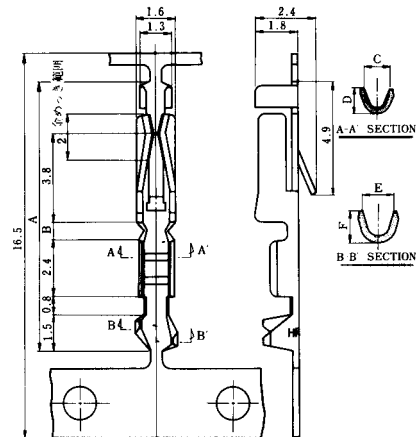
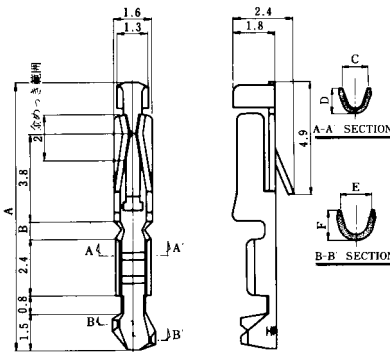
HIF3-2428SCF	562-0125-3	gold plated contact in reel
* HIF3-2428SCFA	562-0247-0	Selective gold plated contact in reel
Applicable cable	AWG#24 to #28 UL 1007 Stranded wire	

HIF3-2022SCF	562-0493-7	gold plated contact in reel
Applicable cable	AWG#20 to #22 UL 1007 Stranded wire	

Note: * products have both side careers.

Type VA (Selective gold plated in reel)

Part Number	CL No.	Applicable Cable	A	B	C	D	E	F
HIF3-2226SCFC	613-0002-1	AWG#22 to #26 UL 1007 Stranded wire	11.5	0.8	1.8	1.8	2.3	2.6
HIF3-2630SCFC	613-0001-9	AWG#26 to #30 UL 1007 Stranded wire	11.5	0.8	1.4	1.35	2.0	2.1
HIF3A-3236SCFC	613-0005-0	AWG#32 to #36 UL 1007 Stranded wire	12.4	1.7	1.1	1.1	1.4	1.5

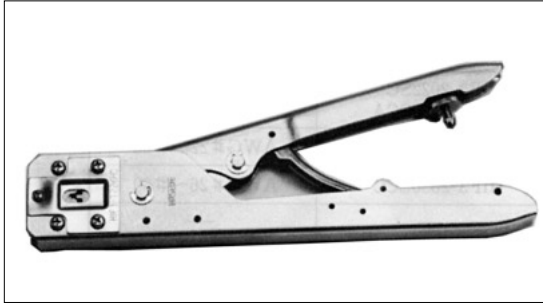


Type VA (Selective gold plated contact in bag)

Part Number	CL No.	Applicable Cable	Manual Crimp Tool	A	B	C	D	E	F
HIF3-2226SCC	613-0004-7	AWG#22 to #26 UL 1007 Stranded wire	HIF3-TB2226HC	11.5	0.8	1.8	1.8	2.3	2.6
HIF3-2630SCC	613-0003-4	AWG#26 to #30 UL 1007 Stranded wire	HIF3-TB2630HC	11.5	0.8	1.4	1.35	2.0	2.1

◆Tools

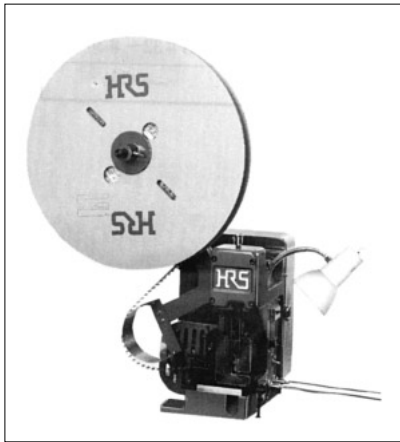
●Crimping Tool



Manual Crimping Tool HIF3-T2226HC

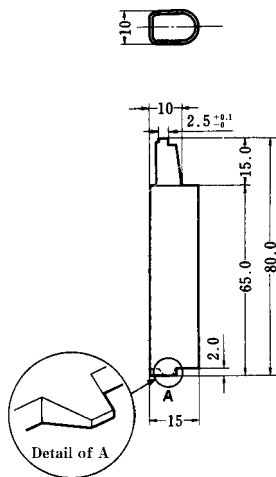
Part Number	CL No.
HIF3-T2226HC	550-0063-8

●Automatic Crimping Tool (Type: CM-105)



Part Number	CL No.
CM-105	901-0005-4

●Contact Extraction Tools



Part Number	CL No.
HIF1-PO	550-0049-7

How to use the extraction tool

(1) How to extract contacts

As shown in Figure 1, where the extraction tool is inserted in the lance fixed slot on the insulated case, slightly pull the cable, and the contact can be removed.

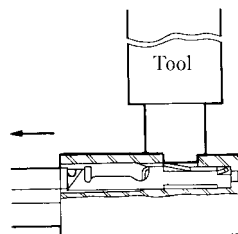


Figure 1

(2) How to adjust the lance (raise)

In order to re-insert the contact removed from the insulated case, raise the contact lance area using the tool A, and re-insert the contact, as shown in Figure 2.

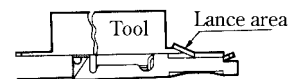


Figure 2

Type	Item	Part Number	CL No.	Applicable Contact	Applicable Cable
Manual	Manual crimping tool	HIF3-T2226HC	550-0063-8	HIF3-2226SC HIF3-2226SCA	AWG#22 to #26
		HIF3-TA2428HC	550-0100-2	HIF3-2428SC HIF3-2428SCA	AWG#24 to #28
		HIF3-TA2022HC	550-0124-0	HIF3-2022SC	AWG#20 to #22
		HIF3-TB2226HC	550-0154-1	HIF3-2226SCC	AWG#22 to #26
		HIF3-TB2630HC	550-0155-4	HIF3-2630SCC	AWG#26 to #30
Automatic	Automatic crimping tool unit	CM-105	901-0005-4	—————	—————
	Applicator	AP105-HIF3-22-28SCF <small>(Note1)</small>	901-4031-6	HIF3-2226SCF	AWG#22 to #26
				HIF3-2428SCF	AWG#24 to #28
		AP105-HIF3-22-28SCFA <small>(Note1)</small>	901-4030-3	HIF3-2226SCFA	AWG#22 to #26
				HIF3-2428SCFA	AWG#24 to #28
		AP105-HIF3-2022S	901-4027-9	HIF3-2022SCF	AWG#20 to #22
		AP105-HIF3-2226SCFC	901-4005-6	HIF3-2226SCFC	AWG#22 to #26
		AP105-HIF3-2630SCFC	901-4006-9	HIF3-2630SCFC	AWG#26 to #30
AP105-HIF3-3236SCFC	901-4007-1	HIF3-3236SCFC	AWG#32 to #36		
Extraction tool		HIF1-PO	550-0049-7	—————	—————

Note1: AP106-HIF3-22-28SCF and AP105-HIF3-22-28CFA can be modified by changing a few parts.

◆Socket Side (Crimping) Assembling Procedures

- (1) As shown in Figure 1, peel the applicable cable (AWG#20 to #26) jacket, and connect it using crimping jig HIF3-TA2022HC, HIF3-TA2226HC, or HIF3-TA2426HC. In this case, insert the cable so as to hit the contact cable stripper position as shown Figure 2.
- (2) After connection as shown Figure 2, check the contact direction, and insert the contact as shown Figures 3 and 4. Slightly pull the cable, and check whether the contact lance position is firmly fixed to the insulation case, as shown in the area (A).

Note : For handling procedures for special crimping tools, refer to the "Handling Instruction Manual".

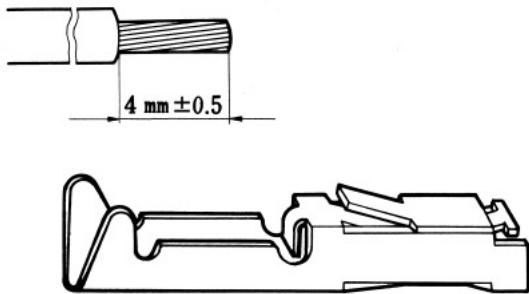


Figure 1

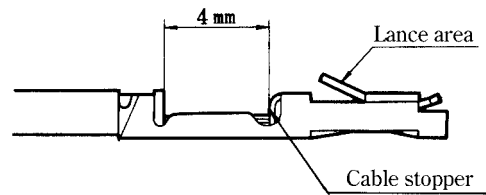


Figure 2

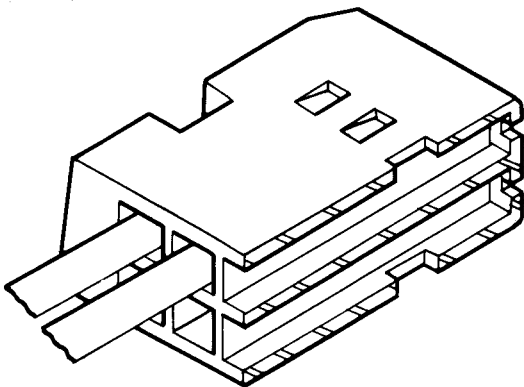


Figure 3

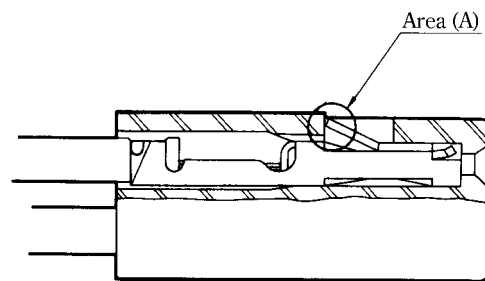
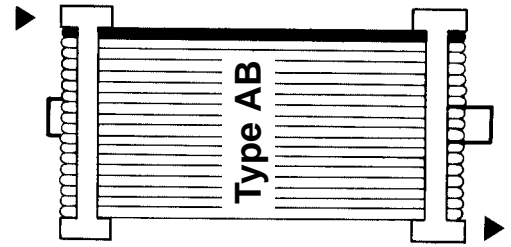
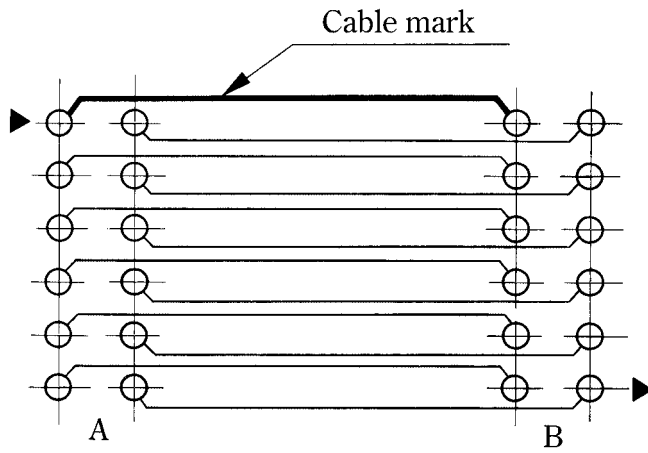


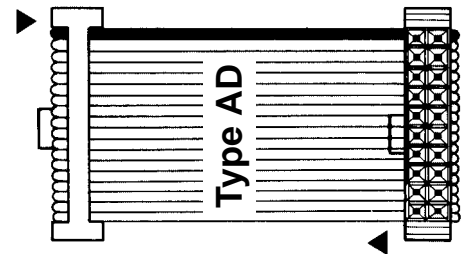
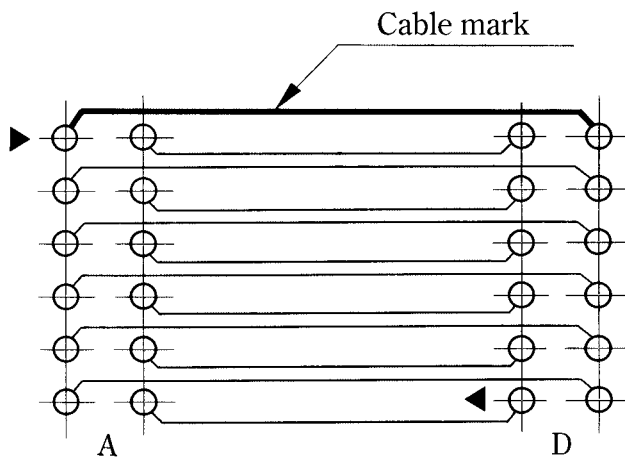
Figure 4

HIF3B Connection Circuit Diagram

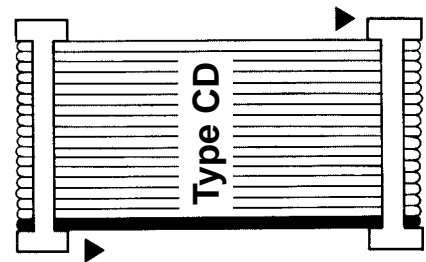
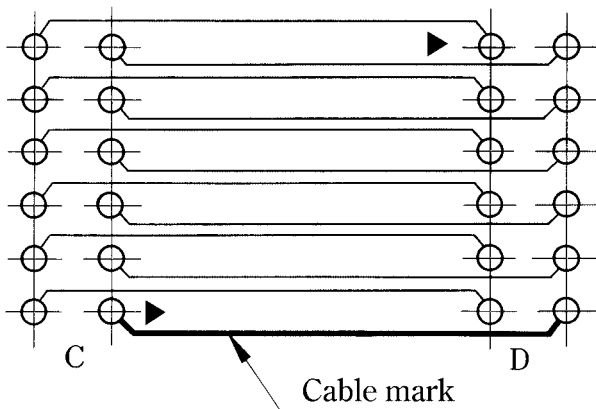
Type AB



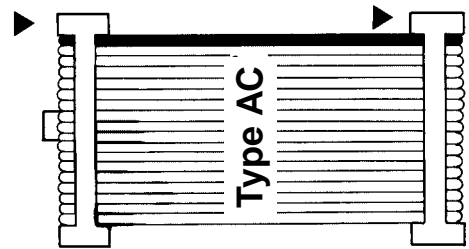
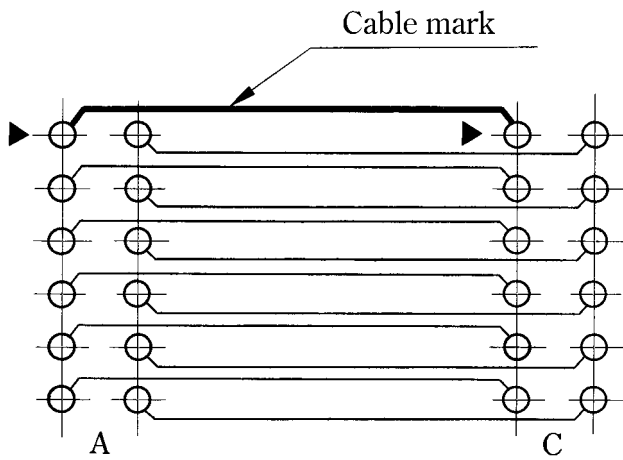
Type AD



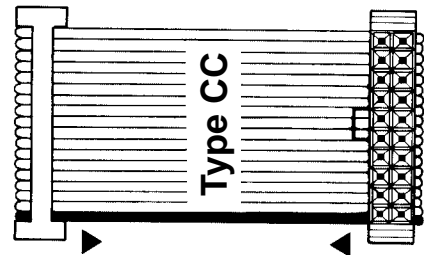
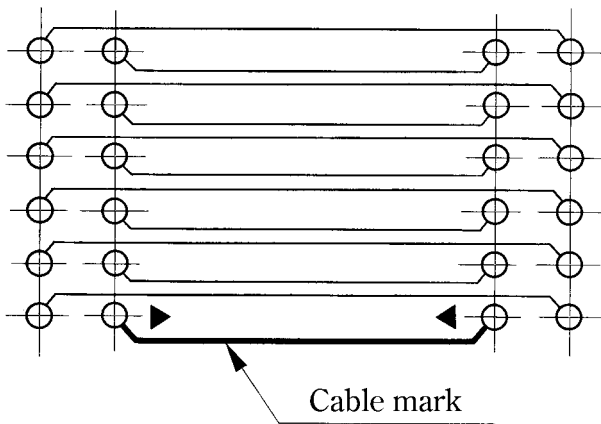
Type CD



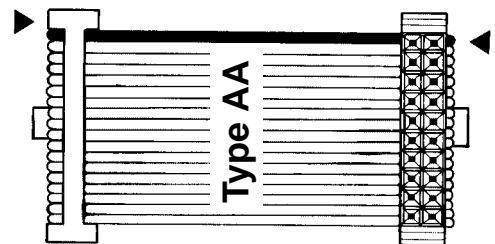
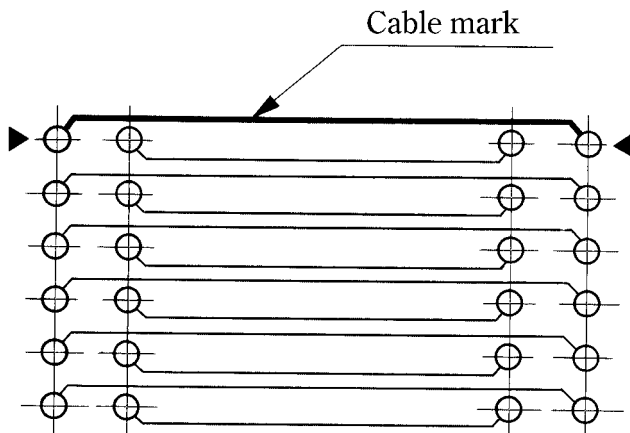
Type AC



Type CC

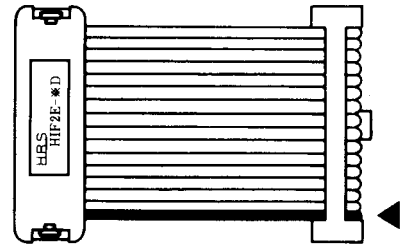
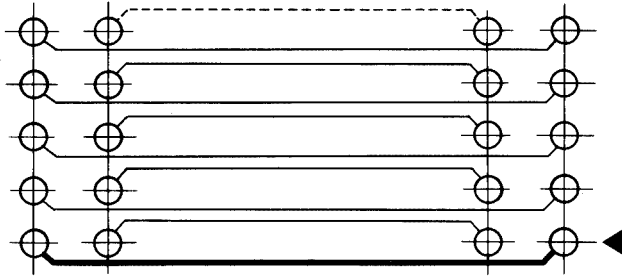


Type AA

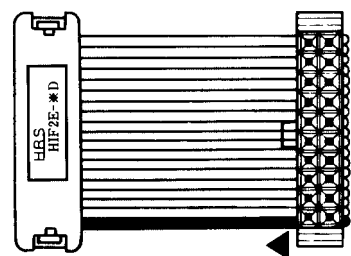
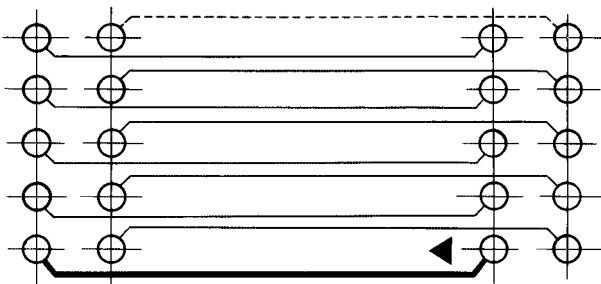


HIF2E R(S) A to HIF3B Connection Circuit Diagram

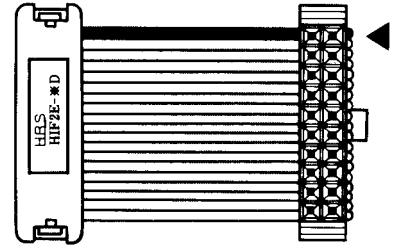
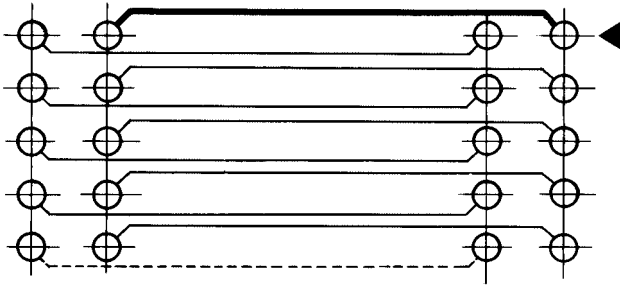
Type AA



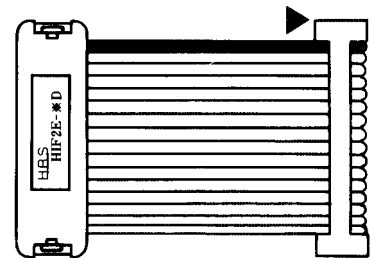
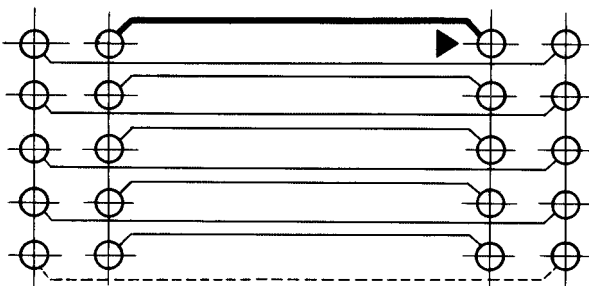
Type AC



Type BA

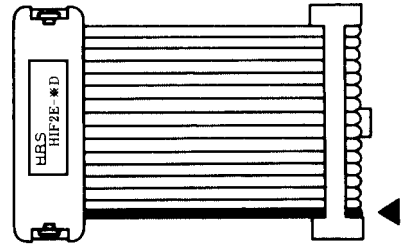
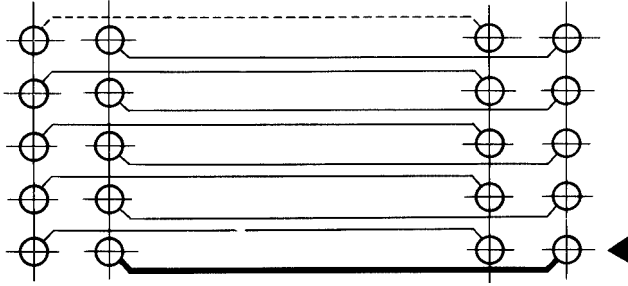


Type BC

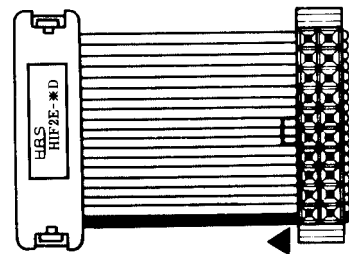
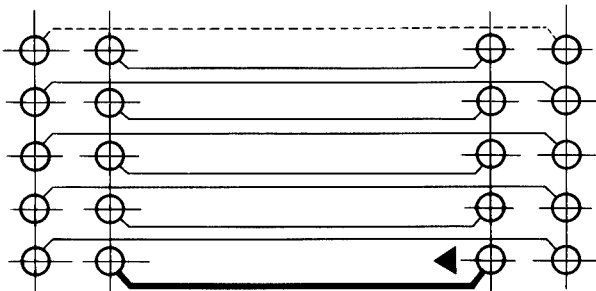


HIF2E R(S)B to HIF3 Connection Circuit Diagram

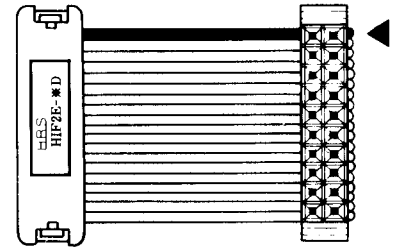
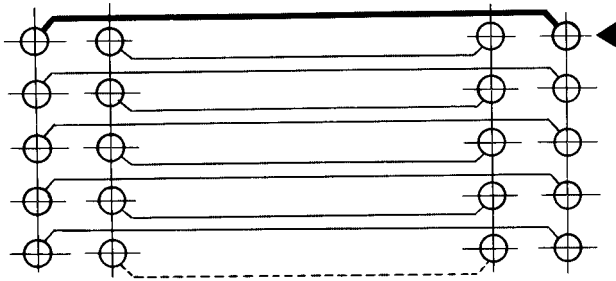
Type AA



Type AC



Type BA



Type BC

