

# Variable Feedforward PFC/PWM Controller Combo

## GENERAL DESCRIPTION

The ML4841 is a controller for power factor corrected, switched mode power supplies. Power Factor Correction (PFC) allows the use of smaller, lower cost bulk capacitors, reduces power line loading and stress on the switching FETs, and results in a power supply that fully complies with IEC1000-2-3 specifications. The ML4841 includes circuits for the implementation of a leading edge, average current, "boost" type power factor correction, and a trailing edge, pulse width modulator (PWM).

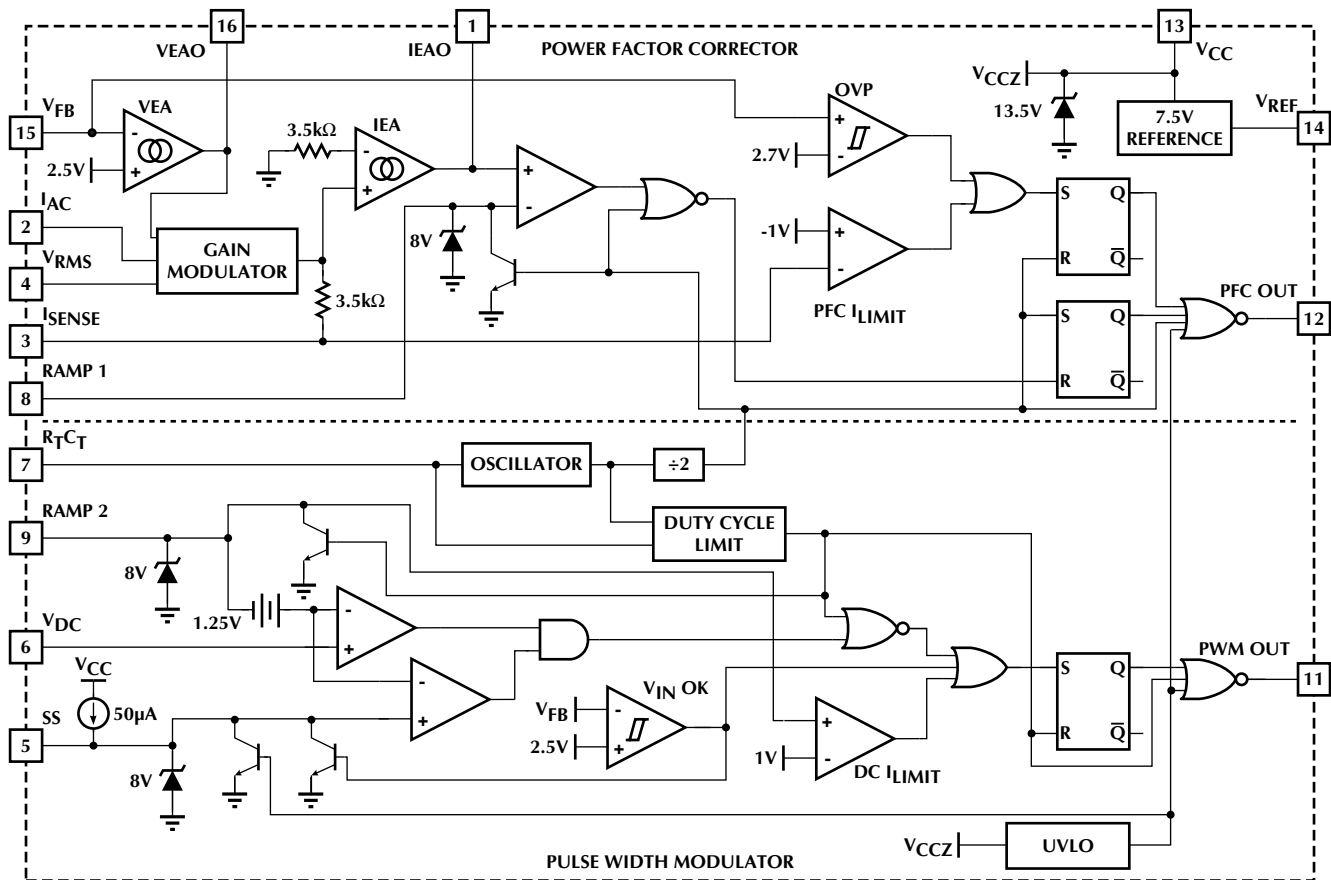
The PFC frequency of the ML4841 is automatically set at half that of the PWM frequency generated by the internal oscillator. This technique allows the user to design with smaller output components while maintaining the optimum operating frequency for the PFC. An over-voltage comparator shuts down the PFC section in the event of a sudden decrease in load. The PFC section also includes peak current limiting and input voltage brown-out protection.

## FEATURES

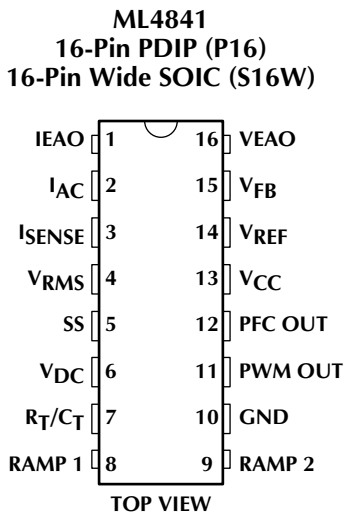
- Internally synchronized PFC and PWM in one IC
- Low total harmonic distortion
- Reduced ripple current in the storage capacitor between the PFC and PWM sections
- Average current, continuous mode, boost type, leading edge PFC
- High efficiency trailing edge PWM can be configured for current mode or voltage mode operation
- Average line voltage compensation with brown-out control
- PFC overvoltage comparator eliminates output "runaway" due to load removal
- Current-fed multiplier for improved noise immunity
- Overvoltage protection, UVLO, and soft start

## BLOCK DIAGRAM

*\*Some Packages Are End Of Life Or Obsolete*



## PIN CONFIGURATION



## PIN DESCRIPTION

PIN	NAME	FUNCTION	PIN	NAME	FUNCTION
1	IEAO	PFC transconductance current error amplifier output	9	RAMP 2	PWM ramp current sense input
2	I <sub>AC</sub>	PFC gain control reference input	10	GND	Ground
3	I <sub>SENSE</sub>	Current sense input to the PFC current limit comparator	11	PWM OUT	PWM driver output
4	V <sub>RMS</sub>	Input for PFC RMS line voltage compensation	12	PFC OUT	PFC driver output
5	SS	Connection point for the PWM soft start capacitor	13	V <sub>CC</sub>	Positive supply (connected to an internal shunt regulator).
6	V <sub>DC</sub>	PWM voltage feedback input	14	V <sub>REF</sub>	Buffered output for the internal 7.5V reference
7	R <sub>T</sub> /C <sub>T</sub>	Connection for oscillator frequency setting components	15	V <sub>FB</sub>	PFC transconductance voltage error amplifier input
8	RAMP 1	PFC ramp input	16	VEAO	PFC transconductance voltage error amplifier output

## ABSOLUTE MAXIMUM RATINGS

Absolute maximum ratings are those values beyond which the device could be permanently damaged. Absolute maximum ratings are stress ratings only and functional device operation is not implied.

V <sub>CC</sub> Shunt Regulator Current .....	55mA
I <sub>SENSE</sub> Voltage .....	-3V to 5V
Voltage on Any Other Pin .....	GND - 0.3V to V <sub>CCZ</sub> + 0.3V
I <sub>REF</sub> .....	20mA
I <sub>AC</sub> Input Current .....	10mA
Peak PFC OUT Current, Source or Sink .....	500mA
Peak PWM OUT Current, Source or Sink .....	500mA
PFC OUT, PWM OUT Energy Per Cycle .....	1.5mJ

Junction Temperature .....	150°C
Storage Temperature Range .....	-65°C to 150°C
Lead Temperature (Soldering, 10 sec) .....	260°C
Thermal Resistance ( $\theta_{JA}$ )	
Plastic DIP .....	80°C/W
Plastic SOIC .....	105°C/W

## OPERATING CONDITIONS

Temperature Range	
ML4841CX .....	0°C to 70°C
ML4841IX .....	-40°C to 85°C

## ELECTRICAL CHARACTERISTICS

Unless otherwise specified, I<sub>CC</sub> = 25mA, R<sub>T</sub> = 23k $\Omega$ , R<sub>RAMP1</sub> = 28.7k $\Omega$ , C<sub>T</sub> = 400pF, C<sub>RAMP1</sub> = 270pF, T<sub>A</sub> = Operating Temperature Range (Note 1)

SYMBOL	PARAMETER	CONDITIONS	MIN	TYP	MAX	UNITS
<b>VOLTAGE ERROR AMPLIFIER</b>						
	Input Voltage Range		0		7	V
	Transconductance	V <sub>NON INV</sub> = V <sub>INV</sub> , V <sub>EAO</sub> = 3.75V	40	70	100	$\mu\text{S}$
	Feedback Reference Voltage		2.4	2.5	2.6	V
	Input Bias Current	Note 2		-0.5	-1.0	$\mu\text{A}$
	Output High Voltage		6.0	6.7		V
	Output Low Voltage			0.65	1.0	V
	Source Current	$\Delta V_{IN} = \pm 0.5V$ , V <sub>OUT</sub> = 6V	-40	-90		$\mu\text{A}$
	Sink Current	$\Delta V_{IN} = \pm 0.5V$ , V <sub>OUT</sub> = 1.5V	40	90		$\mu\text{A}$
	Open Loop Gain		60	75		dB
	PSRR	V <sub>CCZ</sub> - 3V < V <sub>CC</sub> < V <sub>CCZ</sub> - 0.5V	60	75		dB
<b>CURRENT ERROR AMPLIFIER</b>						
	Input Voltage Range		-1.5		2	V
	Transconductance	V <sub>NON INV</sub> = V <sub>INV</sub> , V <sub>EAO</sub> = 3.75V	130	195	310	$\mu\text{S}$
	Input Offset Voltage			$\pm 3$	$\pm 15$	mV
	Input Bias Current			-0.5	-1.0	$\mu\text{A}$
	Output High Voltage		6.0	6.7		V
	Output Low Voltage			0.65	1.0	V
	Source Current	$\Delta V_{IN} = \pm 0.5V$ , V <sub>OUT</sub> = 6V	-40	-90		$\mu\text{A}$
	Sink Current	$\Delta V_{IN} = \pm 0.5V$ , V <sub>OUT</sub> = 1.5V	40	90		$\mu\text{A}$
	Open Loop Gain		60	75		dB
	PSRR	V <sub>CCZ</sub> - 3V < V <sub>CC</sub> < V <sub>CCZ</sub> - 0.5V	60	75		dB

# ML4841

## ELECTRICAL CHARACTERISTICS (Continued)

SYMBOL	PARAMETER	CONDITIONS	MIN	TYP	MAX	UNITS
<b>OVP COMPARATOR</b>						
	Threshold Voltage		2.6	2.7	2.8	V
	Hysteresis		70	95	125	mV
<b>PFC I<sub>LIMIT</sub> COMPARATOR</b>						
	Threshold Voltage		-0.8	-1.0	-1.15	V
	$\Delta(\text{PFC } I_{\text{LIMIT}} V_{\text{TH}} - \text{Gain Modulator Output})$		100	190		mV
	Delay to Output			150	300	ns
<b>DC I<sub>LIMIT</sub> COMPARATOR</b>						
	Threshold Voltage		0.9	1.0	1.1	V
	Input Bias Current			$\pm 0.3$	$\pm 1$	$\mu\text{A}$
	Delay to Output			150	300	ns
<b>V<sub>IN</sub> OK COMPARATOR</b>						
	Threshold Voltage		2.4	2.5	2.6	V
	Hysteresis		0.8	1.0	1.2	V
<b>GAIN MODULATOR</b>						
	Gain (Note 3)	$I_{\text{AC}} = 100\mu\text{A}, V_{\text{RMS}} = V_{\text{FB}} = 0\text{V}$	0.35	0.50	0.65	
		$I_{\text{AC}} = 50\mu\text{A}, V_{\text{RMS}} = 1.2\text{V}, V_{\text{FB}} = 0\text{V}$	1.15	1.65	2.15	
		$I_{\text{AC}} = 50\mu\text{A}, V_{\text{RMS}} = 1.8\text{V}, V_{\text{FB}} = 0\text{V}$	0.52	0.74	0.96	
		$I_{\text{AC}} = 100\mu\text{A}, V_{\text{RMS}} = 3.3\text{V}, V_{\text{FB}} = 0\text{V}$	0.14	0.20	0.26	
	Bandwidth	$I_{\text{AC}} = 100\mu\text{A}$		10		MHz
	Output Voltage	$I_{\text{AC}} = 250\mu\text{A}, V_{\text{RMS}} = 1.15\text{V}, V_{\text{FB}} = 0\text{V}$	0.74	0.82	0.90	V
<b>OSCILLATOR</b>						
	Initial Accuracy	$T_{\text{A}} = 25^{\circ}\text{C}$	188	200	212	kHz
	Voltage Stability	$V_{\text{CCZ}} - 3\text{V} < V_{\text{CC}} < V_{\text{CCZ}} - 0.5\text{V}$		1		%
	Temperature Stability			2		%
	Total Variation	Line, Temp	182		218	kHz
	Ramp Valley to Peak Voltage			2.5		V
	Dead Time	PFC Only	260	400		ns
	C <sub>T</sub> Discharge Current	$V_{\text{RAMP } 2} = 0\text{V}, V_{\text{RAMP } 1} = 2.5\text{V}$	4.5	7.5	9.5	mA
<b>REFERENCE</b>						
	Output Voltage	$T_{\text{A}} = 25^{\circ}\text{C}, I(V_{\text{REF}}) = 1\text{mA}$	7.4	7.5	7.6	V
	Line Regulation	$V_{\text{CCZ}} - 3\text{V} < V_{\text{CC}} < V_{\text{CCZ}} - 0.5\text{V}$		2	10	mV
	Load Regulation	$1\text{mA} < I(V_{\text{REF}}) < 20\text{mA}$		2	15	mV
	Temperature Stability			0.4		%
	Total Variation	Line, Load, Temp	7.25		7.65	V
	Long Term Stability	$T_{\text{J}} = 125^{\circ}\text{C}, 1000 \text{ Hours}$		5	25	mV

## ELECTRICAL CHARACTERISTICS (Continued)

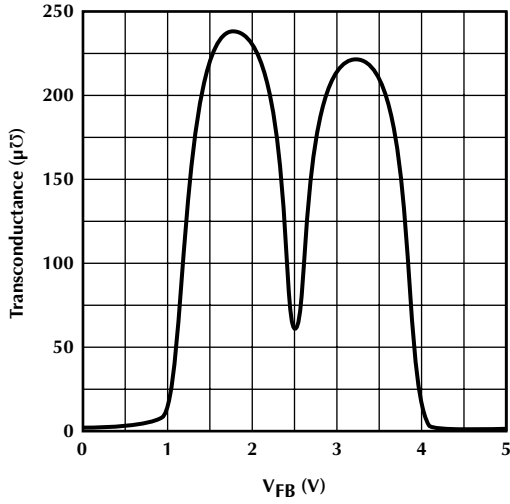
SYMBOL	PARAMETER	CONDITIONS	MIN	TYP	MAX	UNITS
<b>PFC</b>						
	Minimum Duty Cycle	$V_{IEAO} > 6.7V$			0	%
	Maximum Duty Cycle	$V_{IEAO} < 1.2V$	90	95		%
	Output Low Voltage	$I_{OUT} = -20mA$		0.4	0.8	V
		$I_{OUT} = -100mA$		0.7	2.0	V
		$I_{OUT} = 10mA, V_{CC} = 8V$		0.8	1.5	V
	Output High Voltage	$I_{OUT} = 20mA$	10	10.5		V
		$I_{OUT} = 100mA$	9.5	10		V
	Rise/Fall Time	$C_L = 1000pF$		50		ns
<b>PWM</b>						
DC	Duty Cycle Range		0-44	0-47	0-50	%
$V_{OL}$	Output Low Voltage	$I_{OUT} = -20mA$		0.4	0.8	V
		$I_{OUT} = -100mA$		0.7	2.0	V
		$I_{OUT} = 10mA, V_{CC} = 8V$		0.8	1.5	V
$V_{OH}$	Output High Voltage	$I_{OUT} = 20mA$	10	10.5		V
		$I_{OUT} = 100mA$	9.5	10		V
	Rise/Fall Time	$C_L = 1000pF$		50		ns
<b>SUPPLY</b>						
$V_{CCZ}$	Shunt Regulator Voltage		12.8	13.5	14.2	V
	$V_{CCZ}$ Load Regulation	$25mA < I_{CC} < 55mA$		$\pm 100$	$\pm 200$	mV
	$V_{CCZ}$ Total Variation	Load, Temp	12.4		14.6	V
	Start-up Current	$V_{CC} = 11.2V, C_L = 0$		0.7	1.0	mA
	Operating Current	$V_{CC} < V_{CCZ} - 0.5V, C_L = 0$		17	21	mA
	Undervoltage Lockout Threshold		$V_{CCZ} - 1.0$	$V_{CCZ} - 0.7$	$V_{CCZ} - 0.4$	V
	Undervoltage Lockout Hysteresis		2.7	3.0	3.3	V

**Note 1:** Limits are guaranteed by 100% testing, sampling, or correlation with worst-case test conditions.

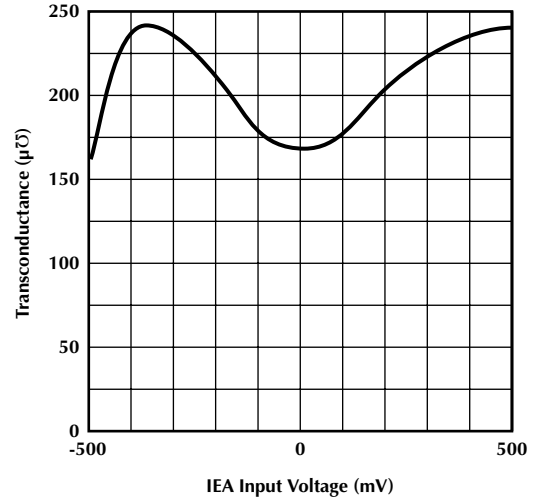
**Note 2:** Includes all bias currents to other circuits connected to the  $V_{FB}$  pin.

**Note 3:** Gain =  $K \times 5.3V$ ;  $K = (I_{GAIN\_MOD} - I_{OFFSET}) \times I_{AC} \times (V_{EAO} - 1.5V)^{-1}$ .

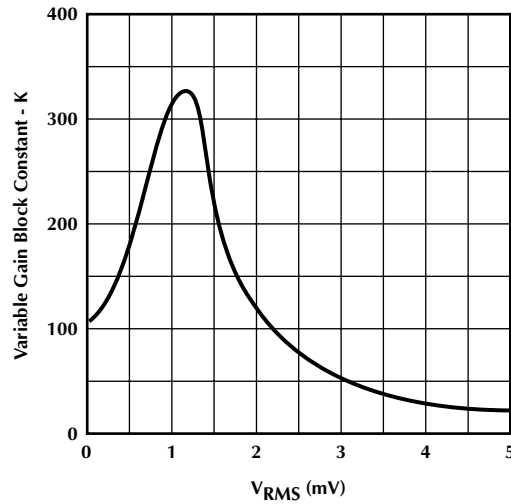
## TYPICAL PERFORMANCE CHARACTERISTICS



Voltage Error Amplifier (VEA) Transconductance ( $g_m$ )



Current Error Amplifier (IEA) Transconductance ( $g_m$ )



Variable Gain Control Transfer Characteristic

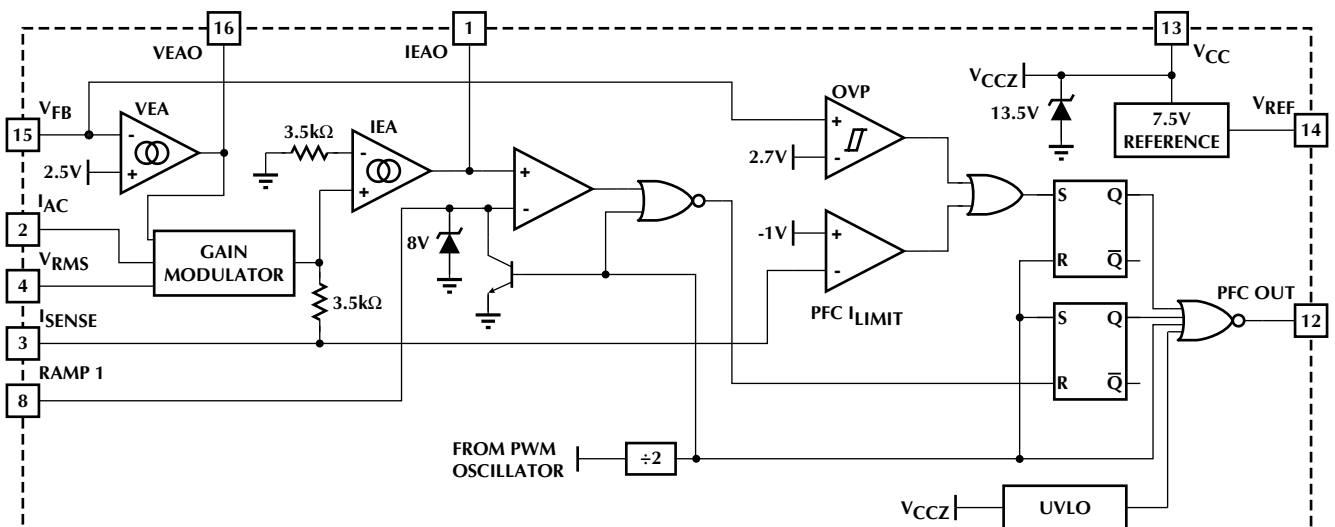


Figure 1. PFC Section Block Diagram.

## FUNCTIONAL DESCRIPTION

The ML4841 consists of an average current controlled, continuous boost Power Factor Corrector (PFC) front end and a synchronized Pulse Width Modulator (PWM) back end. The PWM section uses current mode control. The PWM stage uses conventional trailing-edge duty cycle modulation, while the PFC uses leading-edge modulation. This patented leading/trailing edge modulation technique results in a higher useable PFC error amplifier bandwidth, and can significantly reduce the size of the PFC DC buss capacitor.

The synchronization of the PWM with the PFC simplifies the PWM compensation due to the controlled ripple on the PFC output capacitor (the PWM input capacitor). The PWM section of the ML4841 runs at twice the frequency of the PFC, which allows the use of smaller PWM output magnetics and filter capacitors while holding down the losses in the PFC stage power components.

In addition to power factor correction, a number of protection features have been built into the ML4841. These include soft-start, PFC over-voltage protection, peak current limiting, brown-out protection, duty cycle limit, and under-voltage lockout.

### POWER FACTOR CORRECTION

Power factor correction makes a non-linear load look like a resistive load to the AC line. For a resistor, the current drawn from the line is in phase with and proportional to the line voltage, so the power factor is unity (one). A common class of non-linear load is the input of a most power supplies, which use a bridge rectifier and capacitive input filter fed from the line. The peak-charging effect which occurs on the input filter capacitor in such a supply causes brief high-amplitude pulses of current to flow from the power line, rather than a sinusoidal current in phase with the line voltage. Such a supply presents a power factor to the line of less than one (another way to state this is that it causes significant current harmonics to appear at its input). If the input current drawn by such a supply (or any other non-linear load) can be made to follow the input voltage in instantaneous amplitude, it will appear resistive to the AC line and a unity power factor will be achieved.

To hold the input current draw of a device drawing power from the AC line in phase with and proportional to the input voltage, a way must be found to prevent that device from loading the line except in proportion to the instantaneous line voltage. The PFC section of the ML4841 uses a boost-mode DC-DC converter to accomplish this. The input to the converter is the full wave rectified AC line voltage. No filtering is applied following the bridge rectifier, so the input voltage to the boost converter ranges, at twice line frequency, from zero volts to the peak value of the AC input and back to zero. By forcing the boost converter to meet two simultaneous conditions, it is possible to ensure that the current which the converter draws from the power line agrees with the

instantaneous line voltage. One of these conditions is that the output voltage of the boost converter must be set higher than the peak value of the line voltage. A commonly used value is 385VDC, to allow for a high line of 270VAC. The other condition is that the current which the converter is allowed to draw from the line at any given instant must be proportional to the line voltage. The first of these requirements is satisfied by establishing a suitable voltage control loop for the converter, which in turn drives a current error amplifier and switching output driver. The second requirement is met by using the rectified AC line voltage to modulate the output of the voltage control loop. Such modulation causes the current error amplifier to command a power stage current which varies directly with the input voltage. In order to prevent ripple which will necessarily appear at the output of the boost circuit (typically about 10VAC on a 385V DC level) from introducing distortion back through the voltage error amplifier, the bandwidth of the voltage loop is deliberately kept low. A final refinement is to adjust the overall gain of the PFC such to be proportional to  $1/V_{IN}^2$ , which linearizes the transfer function of the system as the AC input voltage varies.

Since the boost converter topology in the ML4841 PFC is of the current-averaging type, no slope compensation is required.

### PFC SECTION

#### Gain Modulator

Figure 1 shows a block diagram of the PFC section of the ML4841. The gain modulator is the heart of the PFC, as it is this circuit block which controls the response of the current loop to line voltage waveform and frequency, rms line voltage, and PFC output voltage. There are three inputs to the gain modulator. These are:

- 1) A current representing the instantaneous input voltage (amplitude and waveshape) to the PFC. The rectified AC input sine wave is converted to a proportional current via a resistor and is then fed into the gain modulator at  $I_{AC}$ . Sampling current in this way minimizes ground noise, as is required in high power switching power conversion environments. The gain modulator responds linearly to this current.
- 2) A voltage proportional to the long-term rms AC line voltage, derived from the rectified line voltage after scaling and filtering. This signal is presented to the gain modulator at  $V_{RMS}$ . The gain modulator's output is inversely proportional to  $V_{RMS}^2$  (except at unusually low values of  $V_{RMS}$  where special gain contouring takes over to limit power dissipation of the circuit components under heavy brown-out conditions). The relationship between  $V_{RMS}$  and gain is designated as K, and is illustrated in the Typical Performance Characteristics.

## FUNCTIONAL DESCRIPTION (Continued)

3) The output of the voltage error amplifier, VEAO. The gain modulator responds linearly to variations in this voltage.

The output of the gain modulator is a current signal, in the form of a full wave rectified sinusoid at twice the line frequency. This current is applied to the virtual-ground (negative) input of the current error amplifier. In this way the gain modulator forms the reference for the current error loop, and ultimately controls the instantaneous current draw of the PFC from the power line. The general form for the output of the gain modulator is:

$$I_{\text{GAINMOD}} \cong \frac{I_{\text{AC}} \times \text{VEAO}}{V_{\text{RMS}}^2} \times 1\text{V}$$

More exactly, the output current of the gain modulator is given by:

$$I_{\text{GAINMOD}} \cong K \times (\text{VEAO} - 1.5\text{V}) \times I_{\text{AC}} \quad (1)$$

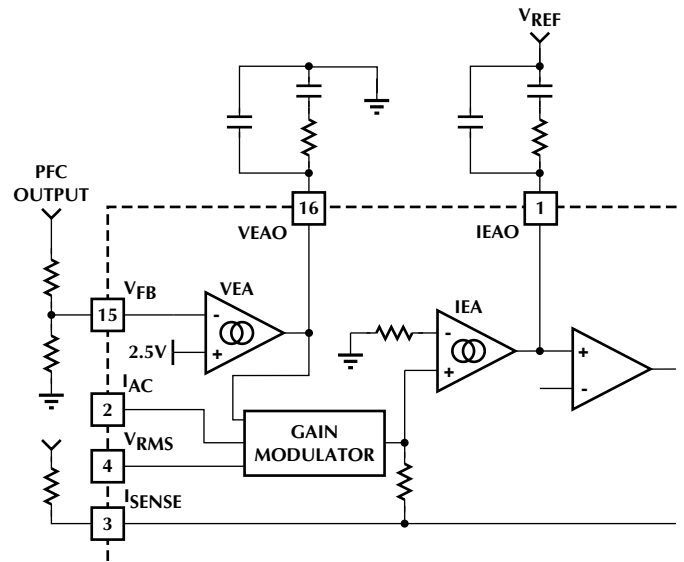
where K is in units of V<sup>-1</sup>.

Note that the output current of the gain modulator is limited to  $\cong 200\mu\text{A}$ .

### Current Error Amplifier

The current error amplifier's output controls the PFC duty cycle to keep the current through the boost inductor a linear function of the line voltage. At the inverting input to the current error amplifier, the output current of the gain modulator is summed with a current which results from a negative voltage being impressed upon the I<sub>SENSE</sub> pin (current into I<sub>SENSE</sub>  $\cong V_{\text{SENSE}}/3.5\text{k}\Omega$ ). The negative voltage on I<sub>SENSE</sub> represents the sum of all currents flowing in the PFC circuit, and is typically derived from a current sense resistor in series with the negative terminal of the input bridge rectifier. In higher power applications, two current transformers are sometimes used, one to monitor the I<sub>D</sub> of the boost MOSFET(s) and one to monitor the I<sub>F</sub> of the boost diode. As stated above, the inverting input of the current error amplifier is a virtual ground. Given this fact, and the arrangement of the duty cycle modulator polarities internal to the PFC, an increase in positive current from the gain modulator will cause the output stage to increase its duty cycle until the voltage on I<sub>SENSE</sub> is adequately negative to cancel this increased current. Similarly, if the gain modulator's output decreases, the output duty cycle will decrease, to achieve a less negative voltage on the I<sub>SENSE</sub> pin.

There is a modest degree of gain contouring applied to the transfer characteristic of the current error amplifier, to increase its speed of response to current-loop perturbations. However, the boost inductor will usually be the dominant factor in overall current loop response. Therefore, this contouring is significantly less marked than that of the voltage error amplifier. This is illustrated in the Typical Performance Characteristics.



**Figure 2. Compensation Network Connections for the Voltage and Current Error Amplifiers**

### Cycle-By-Cycle Current Limiter

The I<sub>SENSE</sub> pin, as well as being a part of the current feedback loop, is a direct input to the cycle-by-cycle current limiter for the PFC section. Should the input voltage at this pin ever be more negative than -1V, the output of the PFC will be disabled until the protection flip-flop is reset by the clock pulse at the start of the next PFC power cycle.

### Overvoltage Protection

The OVP comparator serves to protect the power circuit from being subjected to excessive voltages if the load should suddenly change. A resistor divider from the high voltage DC output of the PFC is fed to V<sub>FB</sub>. When the voltage on V<sub>FB</sub> exceeds 2.7V, the PFC output driver is shut down. The PWM section will continue to operate. The OVP comparator has 125mV of hysteresis, and the PFC will not restart until the voltage at V<sub>FB</sub> drops below 2.58V. The V<sub>FB</sub> should be set at a level where the active and passive external power components and the ML4841 are within their safe operating voltages, but not so low as to interfere with the boost voltage regulation loop.

### Error Amplifier Compensation

The PWM loading of the PFC can be modeled as a negative resistor; an increase in input voltage to the PWM causes a decrease in the input current. This response dictates the proper compensation of the two transconductance error amplifiers. Figure 2 shows the types of compensation networks most commonly used for



## FUNCTIONAL DESCRIPTION (Continued)

the voltage and current error amplifiers, along with their respective return points. The current loop compensation is returned to  $V_{REF}$  to produce a soft-start characteristic on the PFC: as the reference voltage comes up from zero volts, it creates a differentiated voltage on IEAO which prevents the PFC from immediately demanding a full duty cycle on its boost converter.

There are two major concerns when compensating the voltage loop error amplifier; stability and transient response. Optimizing interaction between transient response and stability requires that the error amplifier's open-loop crossover frequency should be 1/2 that of the line frequency, or 23Hz for a 47Hz line (lowest anticipated international power frequency). The gain vs. input voltage of the ML4841's voltage error amplifier has a specially shaped nonlinearity such that under steady-state operating conditions the transconductance of the error amplifier is at a local minimum. Rapid perturbations in line or load conditions will cause the input to the voltage error amplifier ( $V_{FB}$ ) to deviate from its 2.5V (nominal) value. If this happens, the transconductance of the voltage error amplifier will increase significantly, as shown in the Typical Performance Characteristics. This increases the gain-bandwidth product of the voltage loop, resulting in a much more rapid voltage loop response to such perturbations than would occur with a conventional linear gain characteristic.

The current amplifier compensation is similar to that of the voltage error amplifier with the exception of the choice of crossover frequency. The crossover frequency of the current amplifier should be at least 10 times that of the voltage amplifier, to prevent interaction with the voltage loop. It should also be limited to less than 1/6th that of the switching frequency, e.g. 16.7kHz for a 100kHz switching frequency.

For more information on compensating the current and voltage control loops, see Application Notes 33 and 34. Application Note 16 also contains valuable information for the design of this class of PFC.

### Oscillator ( $R_T/C_T$ )

The oscillator frequency is determined by the values of  $R_T$  and  $C_T$ , which determine the ramp and off-time of the oscillator output clock:

$$f_{OSC} = \frac{1}{t_{RAMP} + t_{DISCHARGE}} \quad (2)$$

The ramp-charge time of the oscillator is derived from the following equation:

$$t_{RAMP} = C_T \times R_T \times \ln\left(\frac{V_{REF} - 1.25}{V_{REF} - 3.75}\right) \quad (3)$$

at  $V_{REF} = 7.5V$ :

$$t_{RAMP} = C_T \times R_T \times 0.51$$

The discharge time of the oscillator may be determined using:

$$t_{DISCHARGE} = \frac{2.5V}{5.1mA} \times C_T = 490 \times C_T \quad (4)$$

The deadtime is so small ( $t_{RAMP} \gg t_{DEADTIME}$ ) that the operating frequency can typically be approximated by:

$$f_{OSC} = \frac{1}{t_{RAMP}} \quad (5)$$

EXAMPLE:

For the application circuit shown in the data sheet, with the oscillator running at:

$$f_{OSC} = 200kHz = \frac{1}{t_{RAMP}}$$

$$t_{RAMP} = 0.51 \times R_T \times C_T = 5 \times 10^{-6}$$

Solving for  $R_T \times C_T$  yields  $1 \times 10^{-5}$ . Selecting standard components values,  $C_T = 390pF$ , and  $R_T = 24.9k\Omega$ .

### RAMP 1

The ramp voltage on this pin serves as a reference to which the PFC's current error amp output is compared in order to set the duty cycle of the PFC switch. The external ramp voltage is derived from a RC network similar to the oscillator's. The PWM's oscillator sends a synchronous pulse every other cycle to reset this ramp.

The ramp voltage should be limited to no more than the output high voltage (6V) of the current error amplifier. The timing resistor value should be selected such that the capacitor will not charge past this point before being reset. In order to ensure the linearity of the PFC loop's transfer function and improve noise immunity, the charging resistor should be connected to the 13.5V  $V_{CC}$  rather than the 7.5V reference. This will keep the charging voltage across the timing cap in the "linear" region of the charging curve.

The component value selection is similar to oscillator RC component selection.

$$f_{OSC} = \frac{1}{t_{CHARGE} + t_{DISCHARGE}} \quad (6)$$

The charge time of Ramp 1 is derived from the following equations:

$$t_{CHARGE} = \frac{2}{f_{OSC}} \quad (7)$$

$$t_{CHARGE} = C_T \times R_T \times \ln\left(\frac{V_{CC} - \text{Ramp Valley}}{V_{CC} - \text{Ramp Peak}}\right) \quad (8)$$

## FUNCTIONAL DESCRIPTION (Continued)

At  $V_{CC} = 13.5V$  and assuming Ramp Peak = 5V to allow for component tolerances:

$$t_{CHARGE} = 0.463 \times R_T \times C_T \quad (9)$$

The capacitor value should remain small to keep the discharge energy and the resulting discharge current through the part small. A good value to use is the same value used in the PWM timing circuit ( $C_T$ ).

For the application circuit shown in the data sheet, using a 200kHz PWM and 390pF timing cap yields  $R_T$ :

$$R_T = \frac{1 \times 10^{-5}}{(0.463)(390 \times 10^{-12})} = 56.2k\Omega \quad (10)$$

### PWM SECTION

#### Pulse Width Modulator

The PWM section of the ML4841 is straightforward, but there are several points which should be noted. Foremost among these is its inherent synchronization to the PFC section of the device, to which it also provides its basic timing. The PWM operates in current-mode. In applications utilizing current mode control, the PWM ramp (RAMP 2) is usually derived directly from a current sensing resistor or current transformer in the primary of the output stage, and is thereby representative of the current flowing in the converter's output stage. The DC  $I_{LIMIT}$  comparator provides cycle-by-cycle current limiting and is connected to RAMP 2 internally. If the current sense signal exceeds the 1V threshold, the PWM switch is disabled until the protection flip-flop is reset by the clock pulse at the start of the next PWM power cycle.

#### PWM Current Limit

The DC  $I_{LIMIT}$  comparator is a cycle-by-cycle current limiter for the PWM section. Should the input voltage at this pin ever exceed 1V, the output of the PWM will be disabled until the output flip-flop is reset by the clock pulse at the start of the next PWM power cycle.

#### $V_{IN}$ OK Comparator

The  $V_{IN}$  OK comparator monitors the DC output of the PFC and inhibits the PWM if this voltage on  $V_{FB}$  is less than its nominal 2.5V. Once this voltage reaches 2.5V, which corresponds to the PFC output capacitor being charged to its rated boost voltage, the soft-start commences.

### PWM Control (RAMP 2)

The PWM section utilizes current mode control. RAMP 2 is generally used as the sampling point for a voltage representing the current in the primary of the PWM's output transformer, derived either by a current sensing resistor or a current transformer.

### Soft Start

Start-up of the PWM is controlled by the selection of the external capacitor at SS. A current source of 50 $\mu$ A supplies the charging current for the capacitor, and start-up of the PWM begins at 1.25V. Start-up delay can be programmed by the following equation:

$$C_{SS} = t_{DELAY} \times \frac{50\mu A}{1.25V} \quad (11)$$

where  $C_{SS}$  is the required soft start capacitance, and  $t_{DELAY}$  is the desired start-up delay.

It is important that the time constant of the PWM soft-start allows the PFC time to generate sufficient output power for the PWM section. The PWM start-up delay should be at least 5ms.

Solving for the minimum value of  $C_{SS}$ :

$$C_{SS} = 5ms \times \frac{50\mu A}{1.25V} = 200nF$$

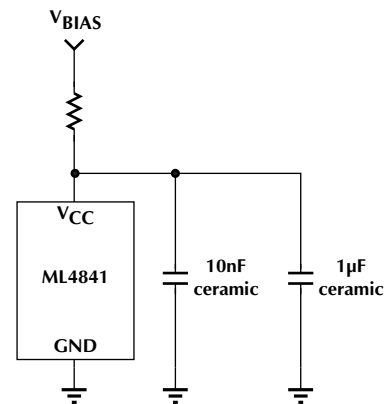


Figure 3. External Component Connections to  $V_{CC}$



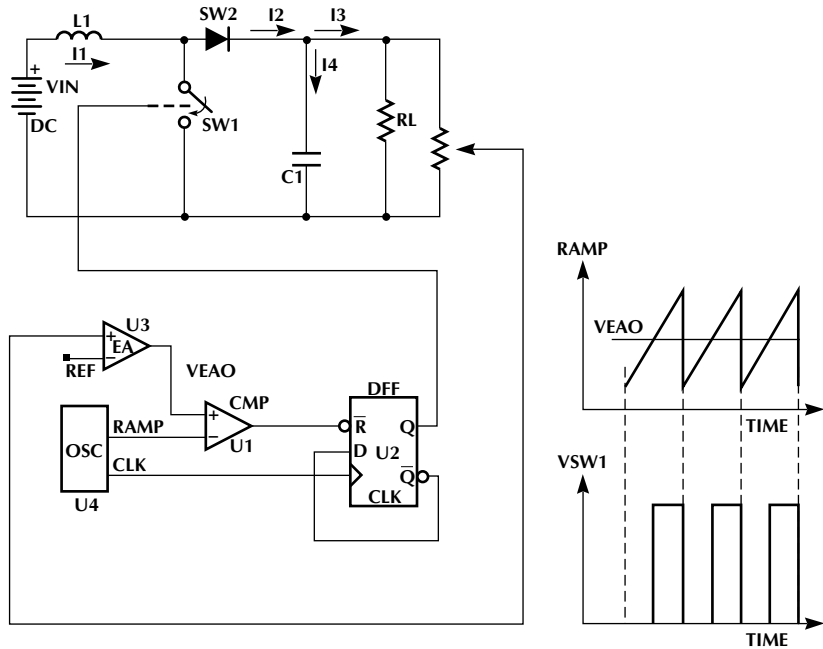


Figure 5. Leading/Trailing Edge Control Scheme

## TYPICAL APPLICATIONS

Figure 6 is the application circuit for a complete 100W power factor corrected power supply, designed using the

general methods and topology suggested in Application Note 33.

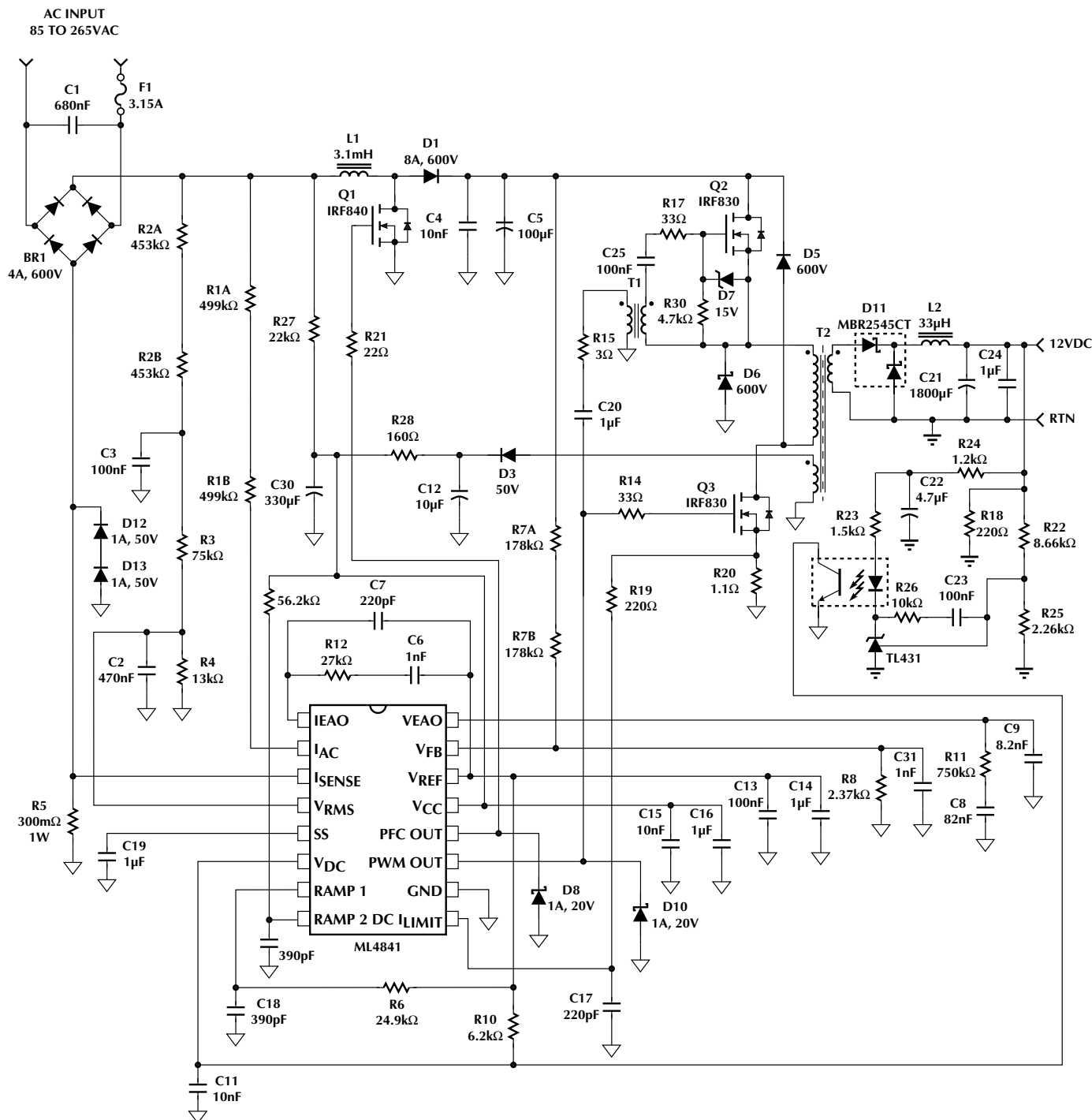
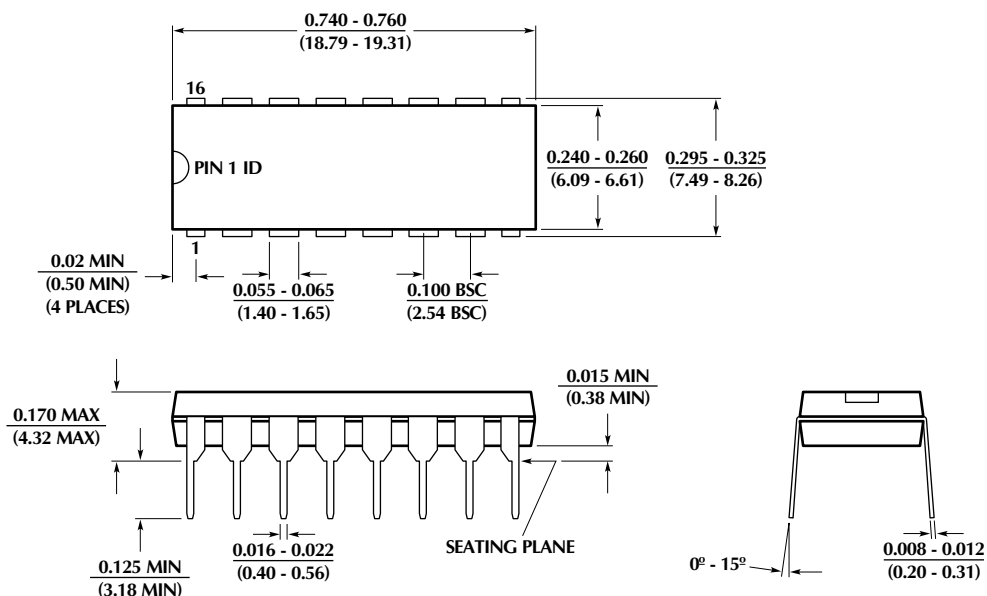


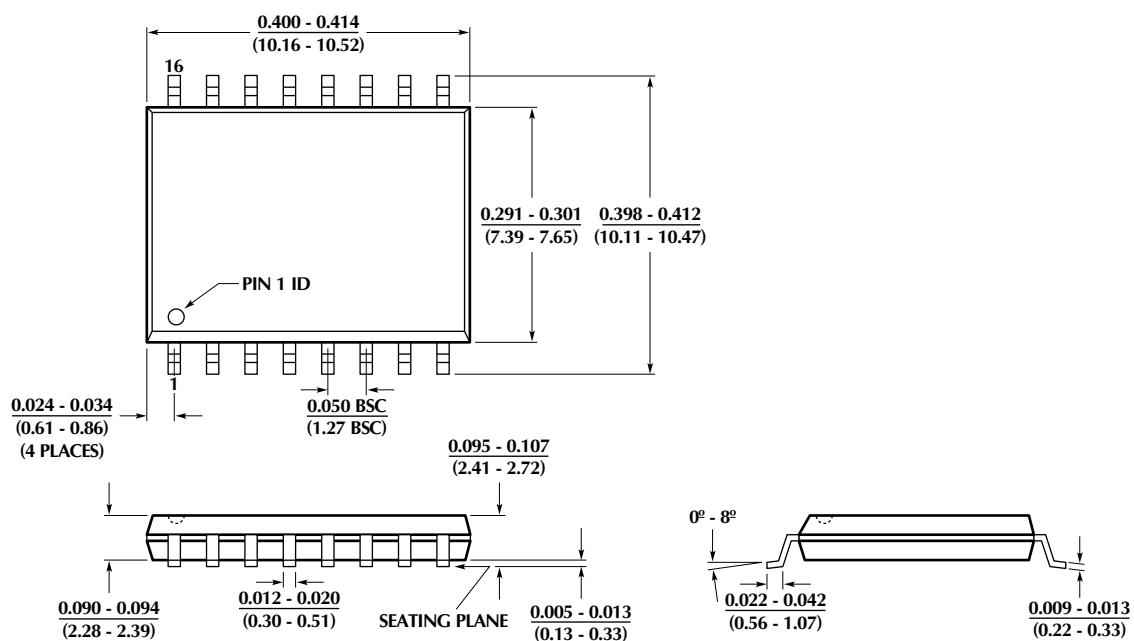
Figure 6. 100W Power Factor Corrected Power Supply.

PHYSICAL DIMENSIONS inches (millimeters)

Package: P16  
16-Pin PDIP



Package: S16W  
16-Pin Wide SOIC



## ORDERING INFORMATION

PART NUMBER	TEMPERATURE RANGE	PACKAGE
ML4841CP ML4841CS	0°C to 70°C 0°C to 70°C	16-Pin Plastic DIP (P16) 16-Pin Wide SOIC (S16W) (EOL)
ML4841IP ML4841IS	-40°C to 85°C -40°C to 85°C	16-Pin Plastic DIP (P16) (OBS) 16-Pin Wide SOIC (S16W) (EOL)

© Micro Linear 1997  **Micro Linear** is a registered trademark of Micro Linear Corporation.

Products described herein may be covered by one or more of the following patents: 4,897,611; 4,964,026; 5,027,116; 5,281,862; 5,283,483; 5,418,502; 5,508,570; 5,510,727; 5,523,940; 5,546,017; 5,559,470; 5,565,761; 5,592,128; 5,594,376. Other patents are pending

Micro Linear reserves the right to make changes to any product herein to improve reliability, function or design. Micro Linear does not assume any liability arising out of the application or use of any product described herein, neither does it convey any license under its patent right nor the rights of others. The circuits contained in this data sheet are offered as possible applications only. Micro Linear makes no warranties or representations as to whether the illustrated circuits infringe any intellectual property rights of others, and will accept no responsibility or liability for use of any application herein. The customer is urged to consult with appropriate legal counsel before deciding on a particular application.

2092 Concourse Drive  
San Jose, CA 95131  
Tel: 408/433-5200  
Fax: 408/432-0295