

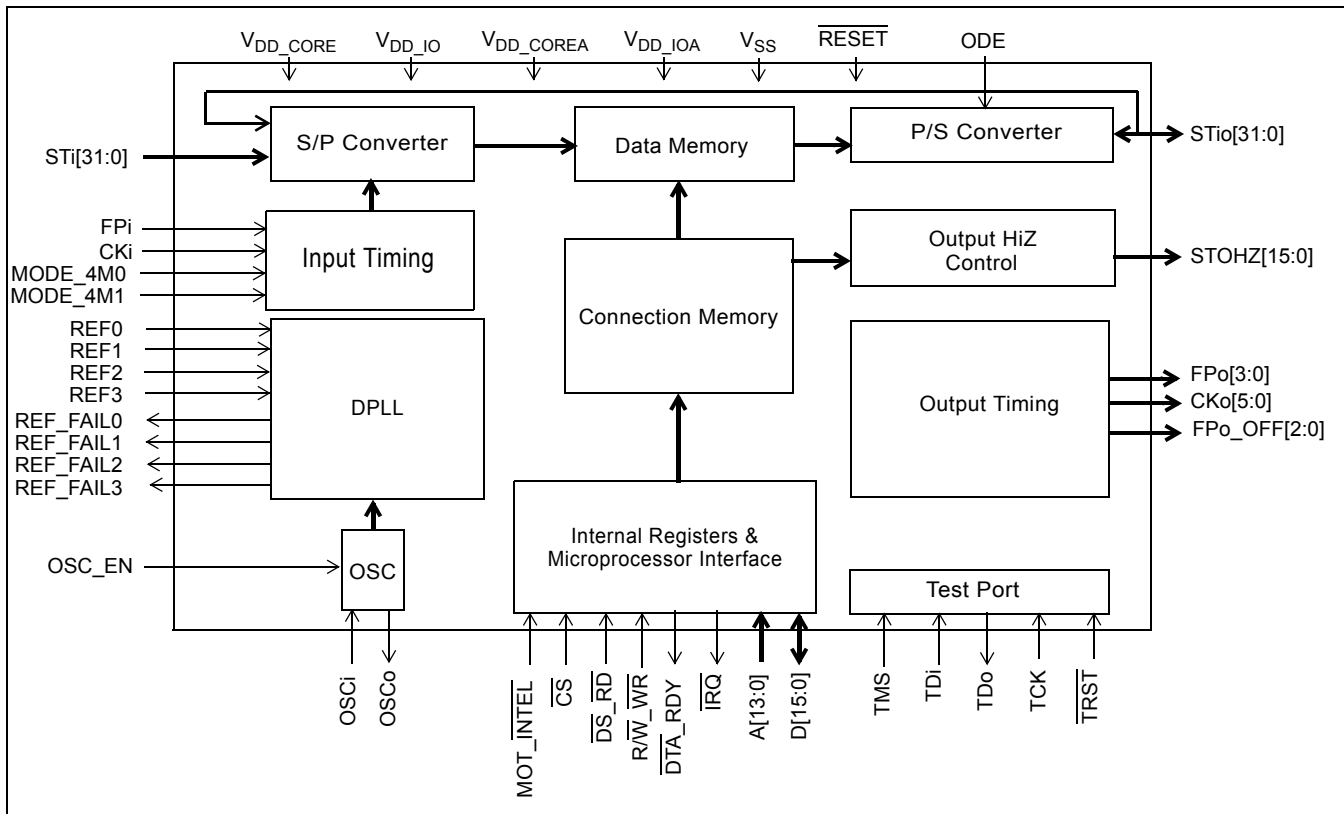
**Features**

- 2048 channel x 2048 channel non-blocking digital Time Division Multiplex (TDM) switch at 8.192 and 16.384 Mbps or using a combination of ports running at 2.048, 4.096, 8.192 and 16.384 Mbps
- 32 serial TDM input, 32 serial TDM output streams
- Integrated Digital Phase-Locked Loop (DPLL) exceeds Telcordia GR-1244-CORE Stratum 4E specifications
- Output clocks have less than 1 ns of jitter (except for the 1.544 MHz output)
- DPLL provides holdover, freerun and jitter attenuation features with four independent reference source inputs
- Exceptional input clock cycle to cycle variation tolerance (20 ns for all rates)

**Ordering Information**

ZL50019GAC 256-ball PBGA  
 ZL50019QCC 256-lead LQFP  
**-40°C to +85°C**

- Output streams can be configured as bi-directional for connection to backplanes
- Per-stream input and output data rate conversion selection at 2.048, 4.096, 8.192 or 16.384 Mbps. Input and output data rates can differ
- Per-stream high impedance control outputs (STOHZ) for 16 output streams
- Per-stream input bit delay with flexible sampling point selection


**Figure 1 - ZL50019 Functional Block Diagram**

**Zarlink Semiconductor US Patent No. 5,602,884, UK Patent No. 0772912,**  
**France Brevete S.G.D.G. 0772912; Germany DBP No. 69502724.7-08**

- Per-stream output bit and fractional bit advancement
- Per-channel ITU-T G.711 PCM A-Law/ $\mu$ -Law Translation
- Four frame pulse and six reference clock outputs
- Three programmable delayed frame pulse outputs
- Input clock: 4.096 MHz, 8.192 MHz, 16.384 MHz
- Input frame pulses: 61 ns, 122 ns, 244 ns
- Per-channel constant or variable throughput delay for frame integrity and low latency applications
- Per Stream (32) Bit Error Rate Test circuits complying to ITU-O.151
- Per-channel high impedance output control
- Per-channel message mode
- Control interface compatible with Intel and Motorola 16-bit non-multiplexed buses
- Connection memory block programming
- Supports ST-BUS and GCI-Bus standards for input and output timing
- IEEE-1149.1 (JTAG) test port
- 3.3 V I/O with 5 V tolerant inputs; 1.8 V core voltage

## **Applications**

- PBX and IP-PBX
- Small and medium digital switching platforms
- Remote access servers and concentrators
- Wireless base stations and controllers
- Multi service access platforms
- Digital Loop Carriers
- Computer Telephony Integration

## Description

The ZL50019 is a maximum 2,048 x 2,048 channel non-blocking digital Time Division Multiplex (TDM) switch. It has thirty-two input streams (STi0 - 31) and thirty-two output streams (STio0 - 31). The device can switch 64 kbps and Nx64 kbps TDM channels from any input stream to any output stream. Each of the input and output streams can be independently programmed to operate at any of the following data rates: 2.048, 4.096, 8.192 or 16.384 Mbps. The ZL50019 provides up to sixteen high impedance control outputs (STOHZ0 - 15) to support the use of external tristate drivers for the first sixteen output streams (STio0 - 15). The output streams can be configured to operate in bi-directional mode, in which case STi0 - 31 will be ignored.

The device contains two types of internal memory - data memory and connection memory. There are four modes of operation - Connection Mode, Message Mode, BER mode and high impedance mode. In Connection Mode, the contents of the connection memory define, for each output stream and channel, the source stream and channel (the actual data to be output is stored in the data memory). In Message Mode, the connection memory is used for the storage of microprocessor data. Using Zarlink's Message Mode capability, microprocessor data can be broadcast to the data output streams on a per-channel basis. This feature is useful for transferring control and status information for external circuits or other TDM devices. In BER mode the output channel data is replaced with a pseudorandom bit sequence (PRBS) from one of 32 PRBS generators that generates a  $2^{15}-1$  pattern. On the input side channels can be routed to one of 32 bit error detectors. In high impedance mode the selected output channel can be put into a high impedance state.

When the device is operating as a timing master, the internal digital PLL is in use. In this mode, an external 20.000 MHz crystal is required for the on-chip crystal oscillator. The DPLL is phase-locked to one of four input reference signals (which can be 8 kHz, 1.544 MHz, 2.048 MHz, 4.096 MHz, 8.192 MHz, 16.384 MHz or 19.44 MHz provided on REF0 - 3). The on-chip DPLL operates in normal, holdover or freerun mode and offers jitter attenuation. The jitter attenuation function exceeds the Stratum 4E specification.

The configurable non-multiplexed microprocessor port allows users to program various device operating modes and switching configurations. Users can employ the microprocessor port to perform register read/write, connection memory read/write and data memory read operations. The port is configurable to interface with either Motorola or Intel-type microprocessors.

The device also supports the mandatory requirements of the IEEE-1149.1 (JTAG) standard via the test port.

## Table of Contents

<b>1.0 Changes Summary</b> .....	<b>9</b>
<b>2.0 Pinout Diagrams</b> .....	<b>10</b>
2.1 BGA Pinout .....	10
2.2 QFP Pinout .....	11
<b>3.0 Pin Description</b> .....	<b>12</b>
<b>4.0 Device Overview</b> .....	<b>19</b>
<b>5.0 Data Rates and Timing</b> .....	<b>20</b>
5.1 External High Impedance Control, STOHz0 - 15 .....	20
5.2 Input Clock (CKi) and Input Frame Pulse (FPi) Timing .....	21
<b>6.0 ST-BUS and GCI-Bus Timing</b> .....	<b>23</b>
<b>7.0 Output Timing Generation</b> .....	<b>23</b>
<b>8.0 Data Input Delay and Data Output Advancement</b> .....	<b>28</b>
8.1 Input Bit Delay Programming .....	28
8.2 Input Bit Sampling Point Programming .....	29
8.3 Output Advancement Programming .....	30
8.4 Fractional Output Bit Advancement Programming .....	31
8.5 External High Impedance Control Advancement .....	32
<b>9.0 Data Delay Through the Switching Paths</b> .....	<b>32</b>
9.1 Variable Delay Mode .....	32
9.2 Constant Delay Mode .....	33
<b>10.0 Connection Memory Description</b> .....	<b>34</b>
<b>11.0 Connection Memory Block Programming</b> .....	<b>35</b>
11.1 Memory Block Programming Procedure .....	35
<b>12.0 Device Performance in Master Mode and Slave Modes</b> .....	<b>35</b>
12.1 Master Mode Performance .....	36
12.2 Divided Slave Mode Performance .....	36
12.3 Multiplied Slave Mode Performance .....	37
<b>13.0 Overall Operation of the DPLL</b> .....	<b>37</b>
13.1 DPLL Functional Modes .....	37
13.1.1 Normal Operating Mode .....	37
13.1.2 Holdover Mode .....	37
13.1.3 Automatic Mode .....	37
13.1.4 Freerun Mode .....	37
13.1.5 DPLL Internal Reset Mode .....	37
<b>14.0 DPLL Frequency Behaviour</b> .....	<b>38</b>
14.1 Input Frequencies .....	38
14.2 Input Frequencies Selection .....	38
14.3 Output Frequencies .....	38
14.4 Pull-In/Hold-In Range (also called Locking Range) .....	39
<b>15.0 Jitter Performance</b> .....	<b>39</b>
15.1 Input Clock Cycle to Cycle Timing Variation Tolerance .....	39
15.2 Input Jitter Acceptance .....	39
15.3 Jitter Transfer Function .....	39
<b>16.0 DPLL Specific Functions and Requirements</b> .....	<b>39</b>
16.1 Lock Detector .....	39
16.2 Maximum Time Interval Error (MTIE) .....	39
16.3 Phase Alignment Speed (Phase Slope) .....	40
16.4 Reference Monitoring .....	40
16.5 Single Period Reference Monitoring .....	40
16.6 Multiple Period Reference Monitoring .....	40

---

## Table of Contents

<b>17.0 Microprocessor Port</b> .....	<b>41</b>
<b>18.0 Device Reset and Initialization</b> .....	<b>41</b>
18.1 Power-up Sequence .....	41
18.2 Device Initialization on Reset .....	42
18.3 Software Reset .....	42
<b>19.0 Pseudo Random Bit Generation and Error Detection</b> .....	<b>42</b>
<b>20.0 PCM A-law/m-law Translation</b> .....	<b>43</b>
<b>21.0 Quadrant Frame Programming</b> .....	<b>44</b>
<b>22.0 JTAG Port</b> .....	<b>44</b>
22.1 Test Access Port (TAP) .....	44
22.2 Instruction Register .....	45
22.3 Test Data Registers .....	45
22.4 BSDL .....	45
<b>23.0 Register Address Mapping</b> .....	<b>46</b>
<b>24.0 Detailed Register Description</b> .....	<b>48</b>
<b>25.0 Memory</b> .....	<b>80</b>
25.1 Memory Address Mappings .....	80
25.2 Connection Memory Low (CM_L) Bit Assignment .....	80
25.3 Connection Memory High (CM_H) Bit Assignment .....	83
<b>26.0 Applications</b> .....	<b>84</b>
26.1 OSCi Master Clock Requirement .....	84
26.1.1 External Crystal Oscillator .....	84
26.1.2 External Clock Oscillator .....	85
<b>27.0 DC Parameters</b> .....	<b>86</b>
<b>28.0 AC Parameters</b> .....	<b>87</b>

## List of Figures

Figure 1 - ZL50019 Functional Block Diagram	1
Figure 2 - ZL50019 256-Ball 17 mm x 17 mm PBGA (as viewed through top of package)	10
Figure 3 - ZL50019 256-Lead 28 mm x 28 mm LQFP (top view)	11
Figure 4 - Input Timing when CKIN1 - 0 bits = "10" in the CR	22
Figure 5 - Input Timing when CKIN1 - 0 bits = "01" in the CR	22
Figure 6 - Input Timing when CKIN1 - 0 = "00" in the CR	23
Figure 7 - Output Timing for CKo0 and FPo0	25
Figure 8 - Output Timing for CKo1 and FPo1	25
Figure 9 - Output Timing for CKo2 and FPo2	26
Figure 10 - Output Timing for CKo3 and FPo3 with CK0FPo3SEL1-0="11"	26
Figure 11 - Output Timing for CKo4	27
Figure 12 - Output Timing for CKo5 and FPo5 (FPo_OFF2)	27
Figure 13 - Input Bit Delay Timing Diagram (ST-BUS)	28
Figure 14 - Input Bit Sampling Point Programming	29
Figure 15 - Input Bit Delay and Fractional Sampling Point	30
Figure 16 - Output Bit Advancement Timing Diagram (ST-BUS)	30
Figure 17 - Output Fractional Bit Advancement Timing Diagram (ST-BUS)	31
Figure 18 - Channel Switching External High Impedance Control Timing	32
Figure 19 - Data Throughput Delay for Variable Delay	33
Figure 20 - Data Throughput Delay for Constant Delay	34
Figure 21 - Crystal Oscillator Circuit	84
Figure 22 - Clock Oscillator Circuit	85
Figure 23 - Timing Parameter Measurement Voltage Levels	87
Figure 24 - Motorola Non-Multiplexed Bus Timing - Read Access	88
Figure 25 - Motorola Non-Multiplexed Bus Timing - Write Access	89
Figure 26 - Intel Non-Multiplexed Bus Timing - Read Access	90
Figure 27 - Intel Non-Multiplexed Bus Timing - Write Access	91
Figure 28 - JTAG Test Port Timing Diagram	92
Figure 29 - Frame Pulse Input and Clock Input Timing Diagram (ST-BUS)	94
Figure 30 - Frame Pulse Input and Clock Input Timing Diagram (GCI-Bus)	94
Figure 31 - ST-BUS Input Timing Diagram when Operated at 2 Mbps, 4 Mbps, 8 Mbps	95
Figure 32 - ST-BUS Input Timing Diagram when Operated at 16 Mbps	96
Figure 33 - GCI-Bus Input Timing Diagram when Operated at 2 Mbps, 4 Mbps, 8 Mbps	96
Figure 34 - GCI-Bus Input Timing Diagram when Operated at 16 Mbps	97
Figure 35 - ST-BUS Output Timing Diagram when Operated at 2, 4, 8 or 16 Mbps	98
Figure 36 - GCI-Bus Output Timing Diagram when Operated at 2, 4, 8 or 16 Mbps	99
Figure 37 - Serial Output and External Control	100
Figure 38 - Output Drive Enable (ODE)	100
Figure 39 - Input and Output Frame Boundary Offset	101
Figure 40 - FPo0 and CKo0 or FPo3 and CKo3 (4.096 MHz) Timing Diagram	102
Figure 41 - FPo1 and CKo1 or FPo3 and CKo3 (8.192 MHz) Timing Diagram	103
Figure 42 - FPo2 and CKo2 or FPo3 and CKo3 (16.384 MHz) Timing Diagram	104
Figure 43 - FPo3 and CKo3 (32.768 MHz) Timing Diagram	105
Figure 44 - FPo4 and CKo4 Timing Diagram (1.544/2.048 MHz)	106
Figure 45 - CKo5 Timing Diagram (19.44 MHz)	106
Figure 46 - REF0 - 3 Reference Input/Output Timing	108
Figure 47 - Output Timing (ST-BUS Format)	110

## List of Tables

Table 1 - CKi and FPi Configurations for Master and Divided Slave Modes	21
Table 2 - CKi and FPi Configurations for Multiplied Slave Mode	21
Table 3 - Output Timing Generation	24
Table 4 - Delay for Variable Delay Mode	33
Table 5 - Connection Memory Low After Block Programming	35
Table 6 - Connection Memory High After Block Programming	35
Table 7 - ZL50019 Operating Modes	36
Table 8 - DPLL Input Reference Frequencies	38
Table 9 - Generated Output Frequencies	38
Table 10 - Values for Single Period Limits	40
Table 11 - Multi-Period Hysteresis Limits	41
Table 12 - Input and Output Voice and Data Coding	43
Table 13 - Definition of the Four Quadrant Frames	44
Table 14 - Quadrant Frame Bit Replacement	44
Table 15 - Address Map for Registers (A13 = 0)	46
Table 16 - Control Register (CR) Bits	48
Table 17 - Internal Mode Selection Register (IMS) Bits	50
Table 18 - Software Reset Register (SRR) Bits	51
Table 19 - Output Clock and Frame Pulse Control Register (OCFCR) Bits	52
Table 20 - Output Clock and Frame Pulse Selection Register (OCFSR) Bits	53
Table 21 - FPo_OFF[n] Register (FPo_OFF[n]) Bits	55
Table 22 - Internal Flag Register (IFR) Bits - Read Only	56
Table 23 - BER Error Flag Register 0 (BERFR0) Bits - Read Only	56
Table 24 - BER Error Flag Register 1 (BERFR1) Bits - Read Only	57
Table 25 - BER Receiver Lock Register 0 (BERLR0) Bits - Read Only	57
Table 26 - BER Receiver Lock Register 1 (BERLR1) Bits - Read Only	58
Table 27 - DPLL Control Register (DPLLCR) Bits	58
Table 28 - Reference Frequency Register (RFR) Bits	59
Table 29 - Centre Frequency Register - Lower 16 Bits (CFRL)	61
Table 30 - Centre Frequency Register - Upper 10 Bits (CFRU)	61
Table 31 - Frequency Offset Register (FOR) Bits - Read Only	62
Table 32 - Lock Detector Threshold Register (LDTR) Bits	62
Table 33 - Lock Detector Interval Register (LDIR) Bits	63
Table 34 - Slew Rate Limit Register (SRLR) Bits	63
Table 35 - Reference Change Control Register (RCCR) Bits	63
Table 36 - Reference Change Status Register (RCSR) Bits - Read Only	65
Table 37 - Interrupt Register (IR) Bits - Read Only	66
Table 38 - Interrupt Mask Register (IMR) Bits	67
Table 39 - Interrupt Clear Register (ICR) Bits	67
Table 40 - Reference Failure Status Register (RSR) Bits - Read Only	68
Table 41 - Reference Mask Register (RMR) Bits	69
Table 42 - Reference Frequency Status Register (RFSR) Bits - Read only	71
Table 43 - Output Jitter Control Register (OJCR) Bits	73
Table 44 - Stream Input Control Register 0 - 31 (SICR0 - 31) Bits	73
Table 45 - Stream Input Quadrant Frame Register 0 - 31 (SIQFR0 - 31) Bits	75
Table 46 - Stream Output Control Register 0 - 31 (SOCR0 - 31) Bits	77
Table 47 - BER Receiver Start Register [n] (BRSR[n]) Bits	78
Table 48 - BER Receiver Length Register [n] (BRLR[n]) Bits	78

---

## List of Tables

Table 49 - BER Receiver Control Register [n] (BRRCR[n]) Bits . . . . .	79
Table 50 - BER Receiver Error Register [n] (BRER[n]) Bits - Read Only . . . . .	79
Table 51 - Address Map for Memory Locations (A13 = 1) . . . . .	80
Table 52 - Connection Memory Low (CM_L) Bit Assignment when CMM = 0 . . . . .	80
Table 53 - Connection Memory Low (CM_L) Bit Assignment when CMM = 1 . . . . .	81
Table 54 - Connection Memory High (CM_H) Bit Assignment . . . . .	83



## 1.0 Changes Summary

Page	Item	Change
10	Figure 2, "ZL50019 256-Ball 17 mm x 17 mm PBGA (as viewed through top of package)"	<ul style="list-style-type: none"> <li>Re-labeled IC_OPEN to MODE_4M0 Location: Ball M14</li> <li>Re-labeled IC_OPEN to MODE_4M1 Location: Ball R13</li> </ul>
11	Figure 3, "ZL50019 256-Lead 28 mm x 28 mm LQFP (top view)"	<ul style="list-style-type: none"> <li>Re-labeled IC_OPEN to MODE_4M0 Location: Pin 46</li> <li>Re-labeled IC_OPEN to MODE_4M1 Location: Pin 48</li> </ul>
12	3.0, "Pin Description"	<ul style="list-style-type: none"> <li>Added MODE_4M0 &amp; MODE_4M1 descriptions</li> </ul>
19	4.0, "Device Overview"	<ul style="list-style-type: none"> <li>Added reference to ZLAN-120 "Mid-Density Digital Switches Timing Modes"</li> </ul>
35	12.0, "Device Performance in Master Mode and Slave Modes"	<ul style="list-style-type: none"> <li>Added Table 7 "Operating Modes" along with description of table</li> </ul>
37	13.0, "Overall Operation of the DPLL"	<ul style="list-style-type: none"> <li>Removed reference to programmable locking range of DPLL</li> </ul>
37	13.1, "DPLL Functional Modes"	<ul style="list-style-type: none"> <li>Removed reference to software controlled mode</li> </ul>
37	13.1.2, "Holdover Mode"	<ul style="list-style-type: none"> <li>Removed reference to Stratum 4E holdover requirements of 0.05 ppm</li> </ul>
38	14.2, "Input Frequencies Selection"	<ul style="list-style-type: none"> <li>Changed reference from Table 31 to Table 36</li> </ul>
46	23.0, "Register Address Mapping"	<ul style="list-style-type: none"> <li>Changed from R/W to R Only</li> </ul>
48	24.0, "Detailed Register Description"	<ul style="list-style-type: none"> <li>Updated Bits 12-11 description. Removed Table</li> <li>Changed Bits 6-5 Description - Added MODE 4M0/1 reference</li> </ul>
84	26.1, "OSCi Master Clock Requirement"	<ul style="list-style-type: none"> <li>Added Reference to ZLAN-68</li> <li>Removed reference to Fox Oscillator</li> </ul>
85	26.1.2, "External Clock Oscillator"	<ul style="list-style-type: none"> <li>Updated text &amp; removed reference to Raltron Oscillators</li> </ul>

## 2.0 Pinout Diagrams

### 2.1 BGA Pinout

	1	2	3	4	5	6	7	8	9	10	11	12	13	14	15	16	
A	V <sub>SS</sub>	STi29	STi28	STi27	STi25	STi26	STi24	NC	NC	STi022	STi023	STi021	STi020	NC	NC	V <sub>SS</sub>	A
B	STi31	STi10	STi5	STi4	CKo2	STi0	CKo0	REF2	V <sub>DD_COREA</sub>	FPI	CKi	IC_OPEN	IC_OPEN	OSCi	ODE	STi019	B
C	STi30	STi9	V <sub>SS</sub>	STi7	STi6	STi1	CKo1	REF_FAIL2	V <sub>SS</sub>	IC_OPEN	IC_OPEN	OSCo	IC_GND	V <sub>SS</sub>	STi015	STi018	C
D	STi17	STi11	V <sub>DD_IO</sub>	STi3	STi2	CKo4	REF3	REF1	REF_FAIL0	V <sub>SS</sub>	FPo_OFF1	OSC_EN	STi013	V <sub>DD_IO</sub>	STi014	STi016	D
E	STi16	STi14	STi8	V <sub>DD_IO</sub>	V <sub>SS</sub>	V <sub>DD_CORE</sub>	REF_FAIL3	REF_FAIL1	REF0	NC	V <sub>DD_CORE</sub>	V <sub>SS</sub>	V <sub>DD_IO</sub>	STi012	FPo2	STi017	E
F	STi19	STi15	STi12	STi13	V <sub>DD_IO</sub>	V <sub>DD_CORE</sub>	V <sub>DD_CORE</sub>	V <sub>SS</sub>	V <sub>SS</sub>	V <sub>DD_CORE</sub>	V <sub>DD_CORE</sub>	V <sub>DD_IO</sub>	IC_OPEN	FPo3	FPo_OFF2	STOHz15	F
G	STi18	RESET	IC_GND	IC_OPEN	TDo	V <sub>DD_IO</sub>	V <sub>SS</sub>	V <sub>SS</sub>	V <sub>SS</sub>	V <sub>SS</sub>	V <sub>DD_IO</sub>	A12	A13	FPo1	FPo0	STOHz14	G
H	STi21	V <sub>SS</sub>	V <sub>SS</sub>	V <sub>DD_COREA</sub>	CKo5	V <sub>SS</sub>	V <sub>SS</sub>	V <sub>SS</sub>	V <sub>SS</sub>	V <sub>SS</sub>	A7	A9	A10	FPo_OFF0	A11	STOHz12	H
J	STi20	V <sub>DD_IOA</sub>	V <sub>DD_IOA</sub>	V <sub>SS</sub>	V <sub>SS</sub>	CKo3	V <sub>SS</sub>	V <sub>SS</sub>	V <sub>SS</sub>	V <sub>SS</sub>	A3	A4	A5	A8	A6	STOHz13	J
K	STi22	V <sub>SS</sub>	TMS	V <sub>SS</sub>	V <sub>DD_COREA</sub>	V <sub>DD_IO</sub>	V <sub>SS</sub>	V <sub>SS</sub>	V <sub>SS</sub>	V <sub>SS</sub>	V <sub>DD_IO</sub>	IC_OPEN	A0	A2	A1	STOHz11	K
L	STi23	V <sub>DD_COREA</sub>	TRST	TCK	V <sub>DD_IO</sub>	V <sub>DD_CORE</sub>	V <sub>DD_CORE</sub>	V <sub>SS</sub>	V <sub>SS</sub>	V <sub>DD_CORE</sub>	V <sub>DD_CORE</sub>	V <sub>DD_IO</sub>	STi010	STi011	STi09	STOHz10	L
M	STi025	NC	TDi	D0	V <sub>SS</sub>	V <sub>DD_CORE</sub>	V <sub>DD_CORE</sub>	D6	D10	V <sub>DD_CORE</sub>	V <sub>DD_CORE</sub>	V <sub>SS</sub>	MOT_INTEL	MODE_4M0	STi08	STOHz9	M
N	STi024	NC	V <sub>DD_IO</sub>	STi00	STOHz3	D1	D5	D7	D11	D13	R/W_WR	DTA_RDY	STi04	V <sub>DD_IO</sub>	STOHz5	STOHz8	N
P	STi026	NC	V <sub>SS</sub>	STi01	STi03	STOHz1	D3	D8	D14	IRQ	STi05	STOHz4	STOHz6	V <sub>SS</sub>	STOHz7	NC	P
R	STi027	NC	STOHz0	STi02	STOHz2	D2	D4	D9	D12	D15	CS	DS_RD	MODE_4M1	STi06	STi07	NC	R
T	V <sub>SS</sub>	STi028	STi029	STi031	STi030	NC	NC	NC	NC	NC	NC	NC	NC	NC	NC	V <sub>SS</sub>	T
	1	2	3	4	5	6	7	8	9	10	11	12	13	14	15	16	

**Note:** A1 corner identified by metallized marking.  
**Note:** Pinout is shown as viewed through top of package.

**Figure 2 - ZL50019 256-Ball 17 mm x 17 mm PBGA (as viewed through top of package)**

2.2 QFP Pinout

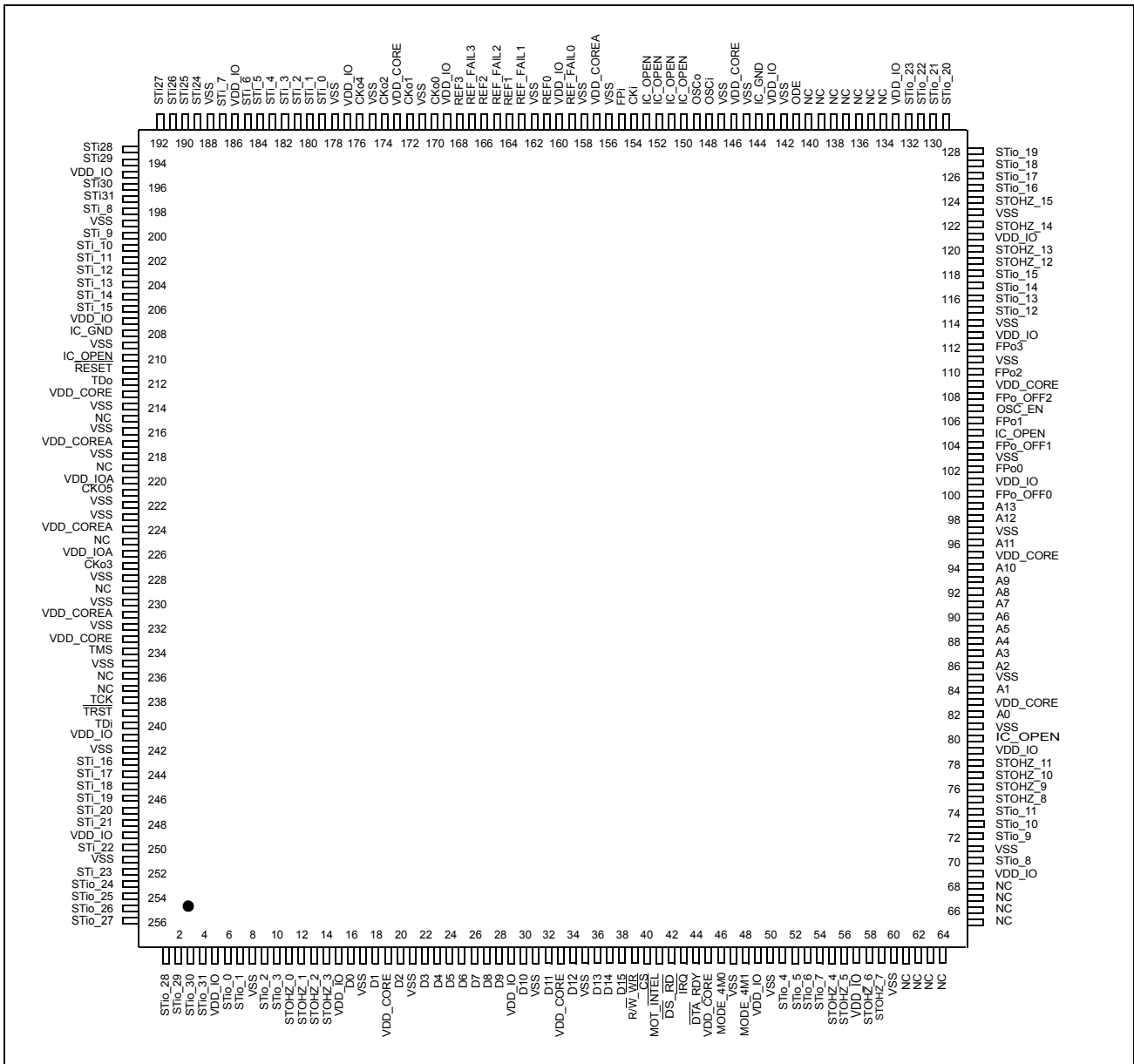


Figure 3 - ZL50019 256-Lead 28 mm x 28 mm LQFP (top view)

### 3.0 Pin Description

PBGA Pin Number	LQFP Pin Number	Pin Name	Description
E6, E11, F6, F7, F10, F11, L6, L7, L10, L11, M6, M7, M10, M11	19, 33, 45, 83, 95, 109, 146, 173, 213, 233	$V_{DD\_CORE}$	<b>Power Supply for the core logic: +1.8 V</b>
H4, K5, B9, L2	217, 231, 157, 224	$V_{DD\_COREA}$	<b>Power Supply for analog circuitry: +1.8 V</b>
D3, D14, E4, E13, F5, F12, G6, G11, K6, K11, L5, L12, N3, N14	5, 15, 29, 49, 57, 69, 79, 101, 113, 121, 133, 143, 160, 169, 177, 186, 195, 207, 241, 249	$V_{DD\_IO}$	<b>Power Supply for I/O: +3.3 V</b>
J2, J3	220, 226	$V_{DD\_IOA}$	<b>Power Supply for the CKo5 and CKo3 outputs: +3.3 V</b>
A1, A16, C3, C9, C14, D10, E5, E12, F8, F9, G7, G8, G9, G10, H2, H3, H6, H7, H8, H9, H10, J4, J5, J7, J8, J9, J10, K2, K4, K7, K8, K9, K10, L8, L9, M5, M12, P3, P14, T1, T16	8, 17, 21, 31, 35, 47, 50, 60, 71, 81, 85, 97, 103, 111, 114, 123, 142, 145, 147, 156, 158, 162, 171, 175, 178, 188, 199, 209, 214, 216, 218, 222, 223, 228, 230, 232, 235, 242, 251	$V_{SS}$	<b>Ground</b>

PBGA Pin Number	LQFP Pin Number	Pin Name	Description
K3	234	TMS	<b>Test Mode Select (5 V-Tolerant Input with Internal Pull-up)</b> JTAG signal that controls the state transitions of the TAP controller. This pin is pulled high by an internal pull-up resistor when it is not driven.
L4	238	TCK	<b>Test Clock (5 V-Tolerant Schmitt-Triggered Input with Internal Pull-up)</b> Provides the clock to the JTAG test logic.
L3	239	$\overline{\text{TRST}}$	<b>Test Reset (5 V-Tolerant Input with Internal Pull-up)</b> Asynchronously initializes the JTAG TAP controller by putting it in the Test-Logic-Reset state. This pin should be pulsed low during power-up to ensure that the device is in the normal functional mode. When JTAG is not being used, this pin should be pulled low during normal operation.
M3	240	TDi	<b>Test Serial Data In (5 V-Tolerant Input with Internal Pull-up)</b> JTAG serial test instructions and data are shifted in on this pin. This pin is pulled high by an internal pull-up resistor when it is not driven.
G5	212	TDo	<b>Test Serial Data Out (5 V-Tolerant Three-state Output)</b> JTAG serial data is output on this pin on the falling edge of TCK. This pin is held in high impedance state when JTAG is not enabled.
B12, B13, C10, C11, F13, G4, K12	80, 105, 150, 151, 152, 153, 210	IC_OPEN	<b>Internal Test Mode (5 V-Tolerant Input with Internal Pull-down)</b> These pins may be left unconnected.
C13, G3	144, 208	IC_GND	<b>Internal Test Mode Enable (5 V-Tolerant Input)</b> These pins <b>MUST</b> be low.
A8, A9, A14, A15, E10, M2, N2, P2, P16, R2, R16, T6, T7, T8, T9, T10, T11, T12, T13, T14, T15	61, 62, 63, 64, 65, 66, 67, 68, 134, 135, 136, 137, 138, 139, 140, 215, 219, 225, 229, 236, 237	NC	<b>No Connect</b> These pins <b>MUST</b> be left unconnected.

PBGA Pin Number	LQFP Pin Number	Pin Name	Description
M14, R13	46, 48	MODE_4M0, MODE_4M1	<b>4M Input Clock Mode 0 to 1 (5 V-Tolerant Input with internal pull-down)</b> These two pins should be tied together and are typically used to select CKi = 4.096 MHz operation. See Table 7, “ZL50019 Operating Modes” on page 36 for a detailed explanation. See Table 16, “Control Register (CR) Bits” on page 48 for CKi and FPi selection using the CKIN1 - 0 bits.
D12	107	OSC_EN	<b>Oscillator Enable (5 V-Tolerant Input with Internal Pull-down)</b> If tied high, this pin indicates that there is a 20 MHz external oscillator interfacing with the device. If tied low, there is no oscillator and CKi will be used for master clock generation. If the device is in master mode, an external oscillator is required and this pin <b>MUST</b> be tied high.
C12	149	OSCo	<b>Oscillator Clock Output (3.3 V Output)</b> If OSC_EN = ‘1’, this pin should be connected to a 20 MHz crystal (see Figure 21 on page 84) or left unconnected if a clock oscillator is connected to OSCi pin under normal operation (see Figure 22 on page 85). If OSC_EN = 0, this pin <b>MUST</b> be left unconnected.
B14	148	OSCi	<b>Oscillator Clock Input (3.3 V Input)</b> If OSC_EN = ‘1’, this pin should be connected to a 20 MHz crystal (see Figure 21 on page 84) or to a clock oscillator under normal operation (see Figure 22 on page 85). If OSC_EN = 0, this pin <b>MUST</b> be driven high or low by connecting either to V <sub>DD_IO</sub> or to ground.
E9, D8, B8, D7	161, 164, 166, 168	REF0 - 3	<b>DPLL Reference Inputs 0 to 3 (5 V-Tolerant Schmitt-Triggered Inputs)</b> If the device is in Master mode, these input pins accept 8 kHz, 1.544 MHz, 2.048 MHz, 4.096 MHz, 8.192 MHz, 16.384 MHz or 19.44 MHz timing references independently. One of these inputs is defined as the preferred or forced input reference for the DPLL. The Reference Change Control Register (RCCR) selects the control of the preferred reference. These pins are ignored if the device is in slave mode unless SLV_DPLLEN (bit 13) in the Control Register (CR) is set. When these input pins are not in use, they <b>MUST</b> be driven high or low by connecting either to V <sub>DD_IO</sub> or to ground.
D9, E8, C8, E7	159, 163, 165, 167	REF_FAIL0 - 3	<b>Failure Indication for DPLL References 0 to 3 (5 V-Tolerant Three-state Outputs)</b> These output pins are used to indicate input reference failure when the device is in master mode. If REF0 fails, REF_FAIL0 will be driven high. If REF1 fails, REF_FAIL1 will be driven high. If REF2 fails, REF_FAIL2 will be driven high. If REF3 fails, REF_FAIL3 will be driven high. If the device is in slave mode, these pins are driven low, unless SLV_DPLLEN (bit 13) in the Control Register (CR) is set.

PBGA Pin Number	LQFP Pin Number	Pin Name	Description
G15, G14, E15, F14	102, 106, 110, 112	FPo0 - 3	<p><b>ST-BUS/GCI-Bus Frame Pulse Outputs 0 to 3 (5 V-Tolerant Three-state Outputs)</b></p> <p>FPo0: 8 kHz frame pulse corresponding to the 4.096 MHz output clock of CKo0.            FPo1: 8 kHz frame pulse corresponding to the 8.192 MHz output clock of CKo1.            FPo2: 8 kHz frame pulse corresponding to 16.384 MHz output clock of CKo2.            FPo3: Programmable 8 kHz frame pulse corresponding to 4.096 MHz, 8.192 MHz, 16.384 MHz, or 32.768 MHz output clock of CKo3.            In Divided Slave modes, the frame pulse width of FPo0 - 3 cannot be narrower than the input frame pulse (FPi) width.</p>
H14, D11	100, 104	FPo_OFF0 - 1	<p><b>Generated Offset Frame Pulse Outputs 0 to 1 (5 V-Tolerant Three-state Outputs)</b></p> <p>Individually programmable 8 kHz frame pulses, offset from the output frame boundary by a programmable number of channels.</p>
F15	108	FPo_OFF2 or FPo5	<p><b>Generated Offset Frame Pulse Output 2 or 19.44 MHz Frame Pulse Output (5 V-Tolerant Three-state Output)</b></p> <p>As FPo_OFF2, this is an individually programmable 8 kHz frame pulse, offset from the output frame boundary by a programmable number of channels.            By programming the FP19EN (bit 10) of FPOFF2 register to high, this signal becomes FPo5, a non-offset frame pulse corresponding to the 19.44 MHz clock presented on CKo5. FPo5 is only available in Master mode or when the SLV_DPLEN bit in the Control Register is set high while the device is in one of the slave modes.</p>
B7, C7, B5, J6, D6, H5	170, 172, 174, 227, 176, 221	CKo0 - 5	<p><b>ST-BUS/GCI-Bus Clock Outputs 0 to 5 (5 V-Tolerant Three-state Outputs)</b></p> <p>CKo0: 4.096 MHz output clock.            CKo1: 8.192 MHz output clock.            CKo2: 16.384 MHz output clock.            CKo3: 4.096 MHz, 8.192 MHz, 16.384 MHz or 32.768 MHz programmable output clock.            CKo4: 1.544 MHz or 2.048 MHz programmable output clock.            CKo5: 19.44 MHz output clock.            See Section 7.0 on page 23 for details. In Divided Slave mode, the frequency of CKo0 - 3 cannot be higher than input clock (CKi).            CKo4 and CKo5 are only available in Master mode or when the SLV_DPLEN bit in the Control Register is set high while the device is in one of the slave modes.</p>

PBGA Pin Number	LQFP Pin Number	Pin Name	Description
B10	155	FPi	<p><b>ST-BUS/GCI-Bus Frame Pulse Input (5 V-Tolerant Schmitt-Triggered Input)</b></p> <p>This pin accepts the frame pulse which stays active for 61 ns, 122 ns or 244 ns at the frame boundary. The frame pulse frequency is 8 kHz. The frame pulse associated with the <b>highest input or output</b> data rate must be applied to this pin when the device is operating in Divided Slave mode or Master mode. The exception is if the device is operating in Master mode with loopback (i.e., CKi_LP is set in the Control Register). In that case, this input must be tied high or low externally. When the device is operating in Multiplied Slave mode, the frame pulse associated with the <b>highest input</b> data rate must be applied to this pin. For all modes (except Master mode with loopback), if the data rate is 16.384 Mbps, a 61 ns wide frame pulse must be used. By default, the device accepts a negative frame pulse in ST-BUS format, but it can accept a positive frame pulse instead if the FPINP bit is set high in the Control Register (CR). It can accept a GCI-formatted frame pulse by programming the FPINPOS bit in the Control Register (CR) to high.</p>
B11	154	CKi	<p><b>ST-BUS/GCI-Bus Clock Input (5 V-Tolerant Schmitt Triggered The Input)</b></p> <p>This pin accepts a 4.096 MHz, 8.192 MHz or 16.384 MHz clock. The clock frequency associated with <b>twice the highest input or output</b> data rate must be applied to this pin when the device is operating in either Divided Slave mode or Master mode. The exception is if the device is operating in Master mode with loopback (i.e., CKi_LP is set in the Control Register). In that case, this input must be tied high or low externally. The clock frequency associated with <b>twice the highest input</b> data rate must be applied to this pin when the device is operating in Multiplied Slave mode. In all modes of operation (except Master mode with loopback), when data is running at 16.384 Mbps, a 16.384 MHz clock must be used. By default, the clock falling edge defines the input frame boundary, but the device allows the clock rising edge to define the frame boundary by programming the CKINP bit in the Control Register (CR).</p>



PBGA Pin Number	LQFP Pin Number	Pin Name	Description
B6, C6, D5, D4, B4, B3, C5, C4, E3, C2, B2, D2, F3, F4, E2, F2, E1, D1, G1, F1, J1, H1, K1, L1, A7, A5, A6, A4, A3, A2, C1, B1	179, 180, 181, 182, 183, 184, 185, 187, 198, 200, 201, 202, 203, 204, 205, 206, 243, 244, 245, 246, 247, 248, 250, 252, 189, 190, 191, 192, 193, 194, 196, 197	STi0 - 31	<b>Serial Input Streams 0 to 31 (5 V-Tolerant Inputs with Enabled Internal Pull-downs)</b> The data rate of each input stream can be selected independently using the Stream Input Control Registers (SICR[n]). In the 2.048 Mbps mode, these pins accept serial TDM data streams at 2.048 Mbps with 32 channels per frame. In the 4.096 Mbps mode, these pins accept serial TDM data streams at 4.096 Mbps with 64 channels per frame. In the 8.192 Mbps mode, these pins accept serial TDM data streams at 8.192 Mbps with 128 channels per frame. In the 16.384 Mbps mode, these pins accept TDM data streams at 16.384 Mbps with 256 channels per frame.
N4, P4, R4, P5, N13, P11, R14, R15, M15, L15, L13, L14, E14, D13, D15, C15, D16, E16, C16, B16, A13, A12, A10, A11, N1, M1, P1, R1, T2, T3, T5, T4	6, 7, 9, 10, 51, 52, 53, 54, 70, 72, 73, 74, 115, 116, 117, 118, 125, 126, 127, 128, 129, 130, 131, 132, 253, 254, 255, 256, 1, 2, 3, 4	STio0 - 31	<b>Serial Output Streams 0 to 31 (5 V-Tolerant Slew-Rate-Limited Three-state I/Os with Enabled Internal Pull-downs)</b> The data rate of each output stream can be selected independently using the Stream Output Control Registers (SOCR[n]). In the 2.048 Mbps mode, these pins output serial TDM data streams at 2.048 Mbps with 32 channels per frame. In the 4.096 Mbps mode, these pins output serial TDM data streams at 4.096 Mbps with 64 channels per frame. In the 8.192 Mbps mode, these pins output serial TDM data streams at 8.192 Mbps with 128 channels per frame. In the 16.384 Mbps mode, these pins output serial TDM data streams at 16.384 Mbps with 256 channels per frame. These output streams can be used as bi-directionals by programming BDH (bit 7) and BDL (bit 6) of Internal Mode Selection (IMS) register.
R3, P6, R5, N5, P12, N15, P13, P15, N16, M16, L16, K16, H16, J16, G16, F16	11, 12, 13, 14, 55, 56, 58, 59, 75, 76, 77, 78, 119, 120, 122, 124	STOHZ0 - 15	<b>Serial Output Streams High Impedance Control 0 to 15 (5 V-Tolerant Slew-Rate-Limited Three-state Outputs)</b> These pins are used to enable (or disable) external three-state buffers. When an output channel is in the high impedance state, the STOHZ drives high for the duration of the corresponding output channel. When the STio channel is active, the STOHZ drives low for the duration of the corresponding output channel. STOHZ outputs are available for STio0 - 157 only.

PBGA Pin Number	LQFP Pin Number	Pin Name	Description
B15	141	ODE	<b>Output Drive Enable (5 V-Tolerant Input with Internal Pull-up)</b> This is the output enable control for STio0 - 31 and the output-driven-high control for STOHz0 - 15. When it is high, STio0 - 31 and STOHz0 - 15 are enabled. When it is low, STio0 - 31 are tristated and STOHz0 - 15 are driven high.
M4, N6, R6, P7, R7, N7, M8, N8, P8, R8, M9, N9, R9, N10, P9, R10	16, 18, 20, 22, 23, 24, 25, 26, 27, 28, 30, 32, 34, 36, 37, 38	D0 - 15	<b>Data Bus 0 to 15 (5 V-Tolerant Slew-Rate-Limited Three-state I/Os)</b> These pins form the 16-bit data bus of the microprocessor port.
N12	44	$\overline{\text{DTA\_RDY}}$	<b>Data Transfer Acknowledgment_Ready (5 V-Tolerant Three-state Output)</b> This active low output indicates that a data bus transfer is complete for the Motorola interface. For the Intel interface, it indicates a transfer is completed when this pin goes from low to high. An external pull-up resistor <b>MUST</b> hold this pin at HIGH level for the Motorola mode. An external pull-down resistor <b>MUST</b> hold this pin at LOW level for the Intel mode.
R11	40	$\overline{\text{CS}}$	<b>Chip Select (5 V-Tolerant Input)</b> Active low input used by the Motorola or Intel microprocessor to enable the microprocessor port access.
N11	39	$\overline{\text{R/W\_WR}}$	<b>Read/Write_Write (5 V-Tolerant Input)</b> This input controls the direction of the data bus lines (D0 - 15) during a microprocessor access. For the Motorola interface, this pin is set high and low for the read and write access respectively. For the Intel interface, a write access is indicated when this pin goes low.
R12	42	$\overline{\text{DS\_RD}}$	<b>Data Strobe_Read (5 V-Tolerant Input)</b> This active low input works in conjunction with $\overline{\text{CS}}$ to enable the microprocessor port read and write operations for the Motorola interface. A read access is indicated when it goes low for the Intel interface.
K13, K15, K14, J11, J12, J13, J15, H11, J14, H12, H13, H15, G12, G13	82, 84, 86, 87, 88, 89, 90, 91, 92, 93, 94, 96, 98, 99	A0 - 13	<b>Address 0 to 13 (5 V-Tolerant Inputs)</b> These pins form the 14-bit address bus to the internal memories and registers.

PBGA Pin Number	LQFP Pin Number	Pin Name	Description
M13	41	MOT_INTEL	<b>Motorola_Intel (5 V-Tolerant Input with Enabled Internal Pull-up)</b> This pin selects the Motorola or Intel microprocessor interface to be connected to the device. When this pin is unconnected or connected to high, Motorola interface is assumed. When this pin is connected to ground, Intel interface should be used.
P10	43	IRQ	<b>Interrupt (5 V-Tolerant Three-state Output)</b> This programmable active low output indicates that the internal operating status of the DPLL has changed. An external pull-up resistor <b>MUST</b> hold this pin at HIGH level.
G2	211	RESET	<b>Device Reset (5 V-Tolerant Input with Internal Pull-up)</b> This input (active LOW) puts the device in its reset state that disables the STi0 - 31 drivers and drives the STOHz0 - 15 outputs to high. It also preloads registers with default values and clears all internal counters. To ensure proper reset action, the reset pin must be low for longer than 1 $\mu$ s. Upon releasing the reset signal to the device, the first microprocessor access cannot take place for at least 600 $\mu$ s due to the time required to stabilize the device and the crystal oscillator from the power-down state. Refer to Section Section 18.2 on page 42 for details.

## 4.0 Device Overview

The device has thirty-two ST-BUS/GCI-Bus inputs (STi0 - 31) and thirty-two ST-BUS/GCI-Bus outputs (STio0 - 31). STi0 - 31 can also be configured as bi-directional pins, in which case STi0 - 31 will be ignored. It is a non-blocking digital switch with 2048 64 kbps channels and is capable of performing rate conversion between ST-BUS/GCI-Bus inputs and ST-BUS/GCI-Bus outputs. The ST-BUS/GCI-Bus inputs accept serial input data streams with data rates of 2.048 Mbps, 4.096 Mbps, 8.192 Mbps and 16.384 Mbps on a per-stream basis. The ST-BUS/GCI-Bus outputs deliver serial data streams with data rates of 2.048 Mbps, 4.096 Mbps and, 8.192 Mbps and 16.384 Mbps on a per-stream basis. The device also provides sixteen high impedance control outputs (STOHZ0 - 15) to support the use of external ST-BUS/GCI-Bus tristate drivers for the first sixteen ST-BUS/GCI-Bus outputs (STio0 -15).

By using Zarlink's message mode capability, microprocessor data stored in the connection memory can be broadcast to the output streams on a per-channel basis. This feature is useful for transferring control and status information for external circuits or other ST-BUS/GCI-Bus devices.

The device uses the ST-BUS/GCI-Bus input frame pulse (FPi) and the ST-BUS/GCI-Bus input clock (CKi) to define the input frame boundary and timing for sampling the ST-BUS/GCI-Bus input streams with various data rates. The output data streams will be driven by and have their timing defined by FPi and CKi in Divided Slave mode. In Multiplied Slave mode, the output data streams will be driven by an internally generated clock, which is multiplied from CKi internally. In Master mode, the on-chip DPLL will drive the output data streams and provide output clocks and frame pulses. Refer to Application Note ZLAN-120 (Mid Density Digital Switches Timing Modes) for further explanation of the different modes of operation.

When the device is in Master mode, the DPLL is phase-locked to one of four DPLL reference signals, REF0 - 3, which are sourced by an external 8 kHz, 1.544 MHz, 2.048 MHz, 4.096 MHz, 8.192 MHz, 16.384 MHz or 19.44 MHz reference signal. The on-chip DPLL also offers jitter attenuation, reference switching, reference monitoring, freerun and holdover functions. The jitter performance exceeds the Stratum 4E specification. The intrinsic jitter of all output clocks is less than 1 ns (except for the 1.544 MHz output).

There are two slave modes for this device:

The first is the Divided Slave mode. In this mode, output streams are clocked by input CKi. Therefore the output streams have exactly the same jitter as the input streams. The output data rate can be the same as or lower than the input data rate, but the output data rate cannot be higher than what CKi can drive. For example, if CKi is 4.096 MHz, the output data rate cannot be higher than 2.048 Mbps. For the Divided Slave mode, the core master clock can be either 98.304 MHz, which is multiplied from CKi, or 100 MHz, which is multiplied from a 20 MHz oscillator. The Divided Slave mode with 98.304 MHz core master clock is called Divided Slave with CKi mode, and the mode with 100 MHz core master clock is called Divided Slave with OSC mode.

The second slave mode is called Multiplied Slave mode. In this mode, CKi is used to generate a 16.384 MHz clock internally, and output streams are driven by this 16.384 MHz clock. In Multiplied Slave mode, the data rate of output streams can be any rate, but output jitter may not be exactly the same as input jitter.

A Motorola or Intel compatible non-multiplexed microprocessor port allows users to program the device to operate in various modes under different switching configurations. Users can use the microprocessor port to perform internal register and memory read and write operations. The microprocessor port has a 16-bit data bus, a 14-bit address bus and six control signals (MOT\_INTEL, CS, DS\_RD, R/W\_WR, IRQ and DTA\_RDY).

The device supports the mandatory requirements of the IEEE-1149.1 (JTAG) standard via the test port.

## 5.0 Data Rates and Timing

The ZL50019 has 32 serial data inputs and 32 serial data outputs. Each stream can be individually programmed to operate at 2.048 Mbps, 4.096 Mbps, 8.192 Mbps or 16.384 Mbps. Depending on the data rate there will be 32 channels, 64 channels, 128 channels or 256 channels, respectively, during a 125  $\mu$ s frame.

The output streams can be programmed to operate as bi-directional streams. The output streams are divided into two groups to be programmed into bi-directional mode. By setting BDL (bit 6) in the Internal Mode Selection (IMS) register, input streams 0 - 15 (STi0 - 15) are internally tied low, and output streams 0 - 15 (STio0 - 15) are set to operate in a bi-directional mode. Similarly, when BDH (bit 7) in the Internal Mode Selection (IMS) register is set, input streams 16 - 31 (STi16 - 31) are internally tied low, and output streams 16 - 31 (STio16 - 31) are set to operate in bi-directional mode. The groups do not have to be set into the same mode. Therefore it is possible to have half of the streams operating in bi-directional mode while the other half is operating in normal input/output mode.

The input data rate is set on a per-stream basis by programming STIN[n]DR3 - 0 (bits 3 - 0) in the Stream Input Control Register 0 - 31 (SICR0 - 31). The output data rate is set on a per-stream basis by programming STO[n]DR3 - 0 (bits 3 - 0) in the Stream Output Control Register 0 - 31 (SOCR0 - 31). The output data rates do not have to match or follow the input data rates. The maximum number of channels switched is limited to 2048 channels. If all 32 input streams were operating at 16.384 Mbps (256 channels per stream), this would result in 8192 channels. Memory limitations prevent the device from operating at this capacity. A maximum capacity of 2048 channels will occur if eight of the streams are operating at 16.384 Mbps, half of the streams are operating at 8.192 Mbps or all streams operating at 4.096 Mbps. With all streams operating at 2.048 Mbps, the capacity will be reduced to 1024 channels. However, as each stream can be programmed to a different data rate, any combination of data rates can be achieved, as long as the total channel count does not exceed 2048 channels. It should be noted that only full stream can be programmed for use. The device does not allow fractional streams.

### 5.1 External High Impedance Control, STOHZ0 - 15

There are 16 external high impedance control signals, STOHZ0 - 15, that are used to control the external drivers for per-channel high impedance operations. Only the first sixteen ST-BUS/GCI-Bus (STio0 - 15) outputs are provided with corresponding STOHZ signals. The STOHZ outputs deliver the appropriate number of control timeslot channels based on the output stream data rate. Each control timeslot lasts for one channel time. When the ODE pin is high and the OSB (bit 2) of the Control Register (CR) is also high, STOHZ0 - 15 are enabled. When the ODE pin, OSB (bit 2) of the Control Register (CR) or the RESET pin is low, STOHZ0 - 15 are driven high, together with all the ST-BUS/GCI-Bus outputs being tristated. Under normal operation, the corresponding STOHZ outputs of any

unused ST-BUS/GCI-Bus channel (high impedance) are driven high. Refer to Figure 18 on page 32 for a diagrammatical explanation.

## 5.2 Input Clock (CKi) and Input Frame Pulse (FPi) Timing

The input clock for the ZL50019 can be arranged in one of three different ways. These different ways will be explained further in Section 12.1 to Section 12.3 on page 37. Depending on the mode of operation, the input clock, CKi, will be based on the highest data rate of either the input or both the input and output data rates. The user has to program the CKIN1 - 0 (bits 6 - 5) in the Control Register (CR) to indicate the width of the input frame pulse and the frequency of the input clock supplied to the device.

In Master mode and Divided Slave mode, the input clock, CKi, must be at least twice the highest input or output data rate. For example, if the highest input data rate is 4.096 Mbps and the highest output data rate is 8.192 Mbps, the input clock, CKi, must be 16.384 MHz, which is twice the highest overall data rate. The only exception to this is for 16.384 Mbps input or output data. In this case, the input clock, CKi, is equal to the data rate. The input frame pulse, FPi, must always follow CKi.

In Master mode, CKo2 and FPo2 can be programmed to be used as CKi and FPi by setting CKi\_LP (bit 10) in the Control Register (CR). This will internally loop back the CKo2 and FPo2 timing. When this bit is set, CKi and FPi must be tied low or high externally.

Highest <i>Input or Output</i> Data Rate	CKIN 1-0 Bits	Input Clock Rate (CKi)	Input Frame Pulse (FPi)
16.384 Mbps or 8.192 Mbps	00	16.384 MHz	8 kHz (61 ns wide pulse)
4.096 Mbps	01	8.192 MHz	8 kHz (122 ns wide pulse)
2.048 Mbps	10	4.096 MHz	8 kHz (244 ns wide pulse)

**Table 1 - CKi and FPi Configurations for Master and Divided Slave Modes**

In Multiplied Slave mode, the input clock, CKi, must be at least twice the highest input data rate, regardless of the output data rate. Following the example above, if the highest input data rate is 4.096 Mbps, the input clock, CKi, must be 8.192 MHz, regardless of the output data rate. The only exception to this is for 16.384 Mbps input data. In this case, the input clock, CKi, is equal to the data rate. The input frame pulse, FPi, must always follow CKi.

Highest <i>Input</i> Data Rate	CKIN 1-0 Bits	Input Clock Rate (CKi)	Input Frame Pulse (FPi)
16.384 Mbps or 8.192 Mbps	00	16.384 MHz	8 kHz (61 ns wide pulse)
4.096 Mbps	01	8.192 MHz	8 kHz (122 ns wide pulse)
2.048 Mbps	10	4.096 MHz	8 kHz (244 ns wide pulse)

**Table 2 - CKi and FPi Configurations for Multiplied Slave Mode**

The ZL50019 accepts positive and negative ST-BUS/GCI-Bus input clock and input frame pulse formats via the programming of CKINP (bit 8) and FPINP (bit 7) in the Control Register (CR). By default, the device accepts the negative input clock format and ST-BUS format frame pulses. However, the switch can also accept a positive-going clock format by programming CKINP (bit 8) in the Control Register (CR). A GCI-Bus format frame pulse can be used by programming FPINPOS (bit 9) and FPINP (bit 7) in the Control Register (CR).

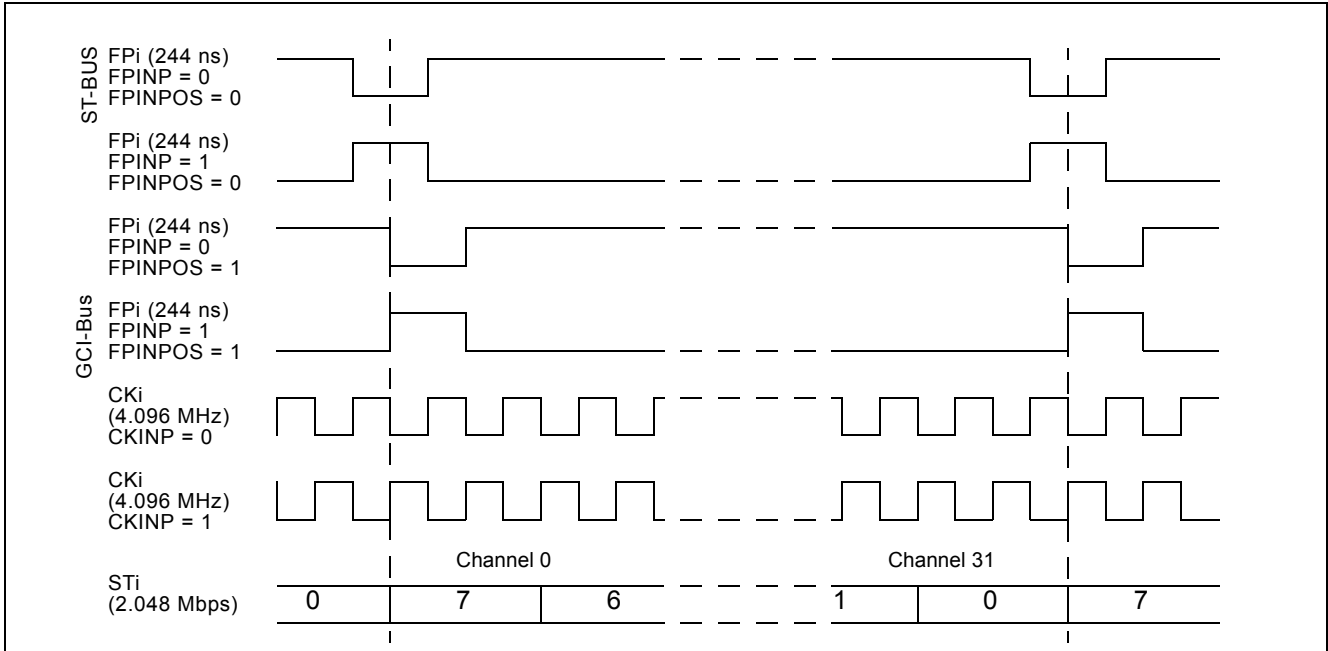


Figure 4 - Input Timing when CKIN1 - 0 bits = "10" in the CR

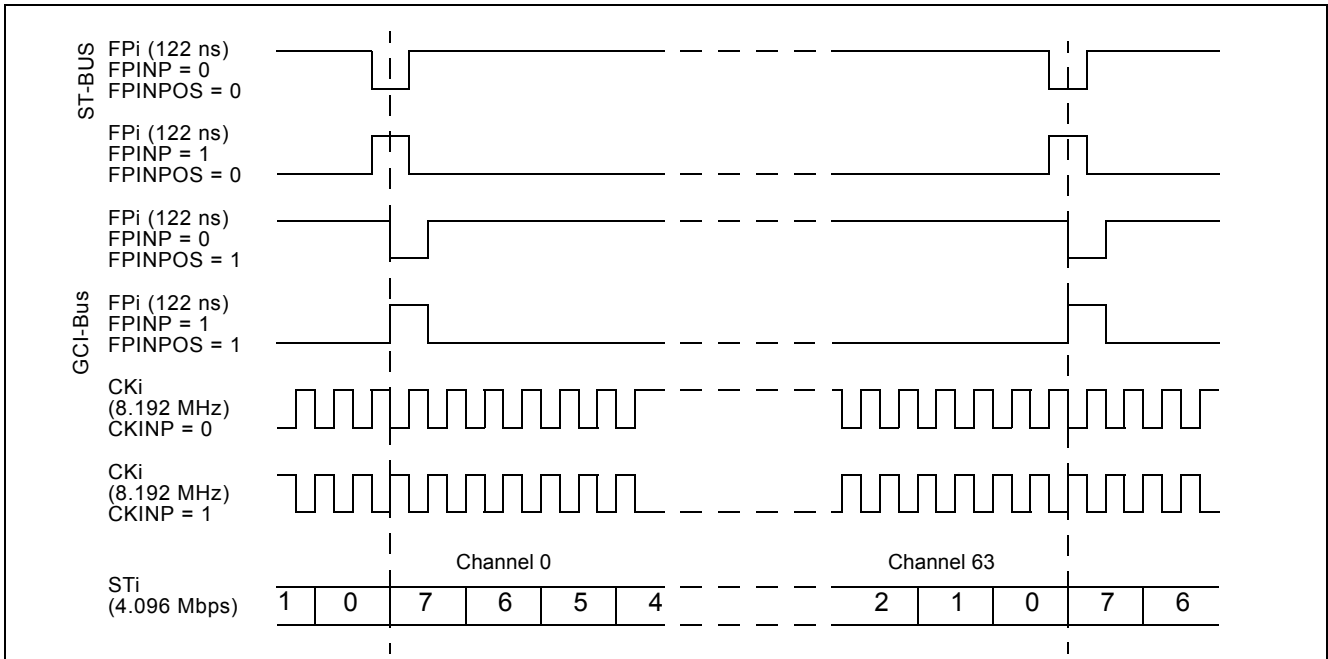


Figure 5 - Input Timing when CKIN1 - 0 bits = "01" in the CR

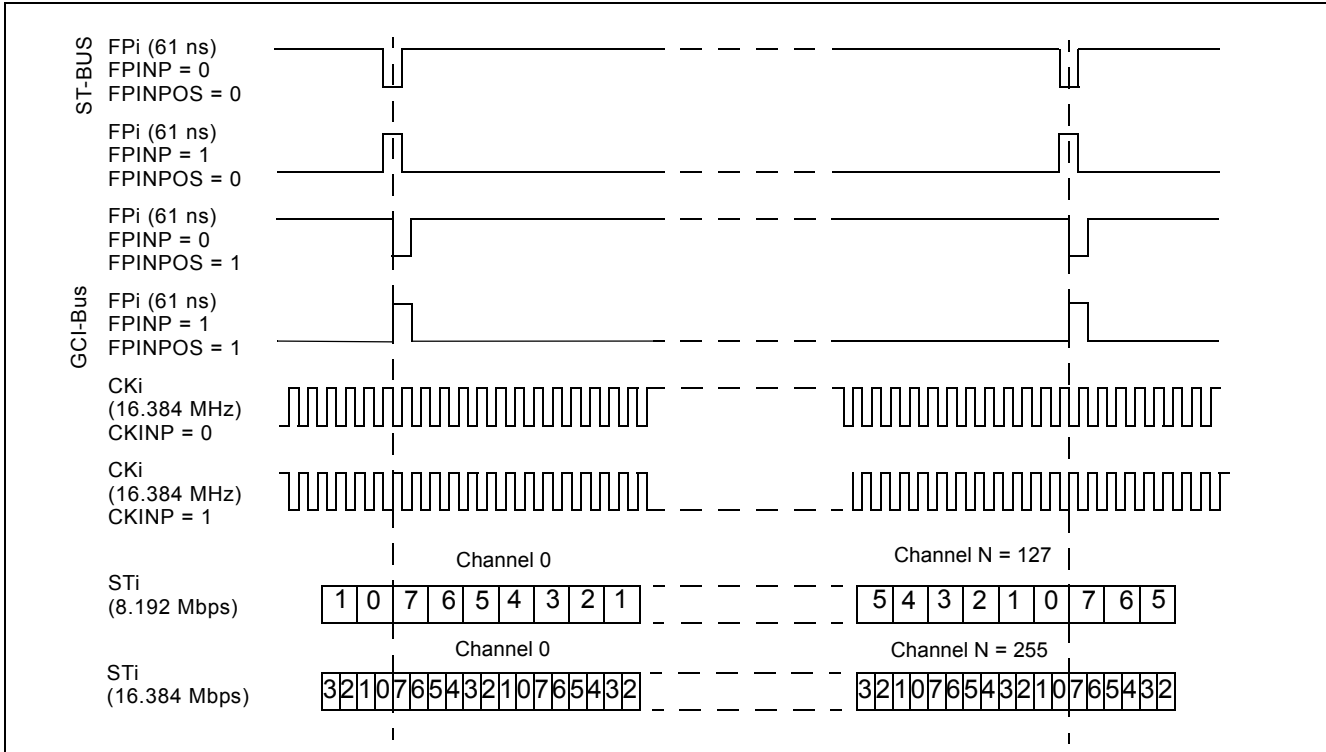


Figure 6 - Input Timing when CKIN1 - 0 = "00" in the CR

### 6.0 ST-BUS and GCI-Bus Timing

The ZL50019 is capable of operating using either the ST-BUS or GCI-Bus standards. The output timing that the device generates is defined by the bus standard. In the ST-BUS standard, the output frame boundary is defined by the falling edge of CKo while FPo is low. In the GCI-Bus standard, the frame boundary is defined by the rising edge of CKo while FPo goes high. The data rates define the number of channels that are available in a 125 μs frame pulse period.

By default, the ZL50019 is configured for ST-BUS input and output timing. To set the input timing to conform to the GCI-Bus standard, FPINPOS (bit 9) and FPINP (bit 7) in the Control Register (CR) must be set. To set output timing to conform to the GCI-Bus standard, FPO[n]P and FPO[n]POS must be set in the Output Clock and Frame Pulse Selection Register (OCFSR). The CKO[n]P bits in the Output Clock and Frame Pulse Selection Register control the polarity (positive-going or negative-going) of the output clocks.

### 7.0 Output Timing Generation

The ZL50019 generates frame pulse and clock timing. There are five output frame pulse pins (FPo0 - 3, 5) and six output clock pins (CKo0 - 5). All output frame pulses are 8 kHz output signals. By default, the output frame boundary is defined by the falling edge of the CKo0, while FPo0 is low. At the output frame boundary, the CKo1, CKo2 and CKo3 output clocks will by default have a falling edge, while FPo1, FPo2 and FPo3 will be low. At the output frame boundary, CKo4 will by default have a falling edge while FPo0 is low (CKo4 has no corresponding output frame pulse). At the output frame boundary, CKo5 will by default have a rising edge while FPo5 (FPo\_OFF2) will be low. The duration of the frame pulse low cycle and the frequency of the corresponding output clock are shown in Table 3 on page 24. Every frame pulse and clock output can be tristated by programming the enable bits in the Internal Mode Selection (IMS) register.

Pin Name	Output Timing Rate	Output Timing Unit
FPo0 pulse width	244	ns
CKo0	4.096	MHz
FPo1 pulse width	122	ns
CKo1	8.192	MHz
FPo2 pulse width	61	ns
CKo2	16.384	MHz
FPo3 pulse width	244, 122, 61 or 30	ns
CKo3	4.096, 8.192, 16.384 or 32.768	MHz
CKo4	1.544 or 2.048	MHz
FPo5 pulse width	51	ns
CKo5	19.44	MHz

**Table 3 - Output Timing Generation**

The output timing is dependent on the timing mode that is selected. When the device is in Divided Slave mode, the frequencies on CKo0 - 3 cannot be greater than the input clock, CKi. For example, if the input clock is 8.192 MHz, the CKo2 pin will not produce a valid output clock and the CKo3 pin can only be programmed to output a 4.096 MHz or 8.192 MHz clock signal. The output clocks CKo4 - 5 will not generate valid outputs unless the SLV\_DPLEN (bit 13) of the Control Register (CR) is set.

In Master mode there are programmable output frame pulse, FPo3, and clock pins, CKo3 and CKo4. The outputs from FPo3 and CKo3 are programmed by the CKOFPO3SEL1 - 0 (bits 13 - 12) in the Output Clock and Frame Pulse Selection (OCFSR) register. The output clock pin, CKo4, is controlled by setting the CKO4SEL (bit 14) in the OCFSR register.

In Multiplied Slave mode, CKo4 and CKo5 are not available unless SLV\_DPLEN is set in the Control Register. All other clocks and frame pulses correspond to the timing shown in Table 3 above.

The device also delivers positive or negative output frame pulse and ST-BUS/GCI-Bus output clock formats via the programming of various bits in the Output Clock and Frame Pulse Selection Register (OCFSR). By default, the device delivers the negative output clock format. The ZL50019 can also deliver GCI-Bus format output frame pulses by programming bits of the Output Clock and Frame Pulse Selection Register (OCFSR). As there is a separate bit setting for each frame pulse output, some of the outputs can be set to operate in ST-BUS mode and others in GCI-Bus mode.

The following figures describe the usage of the FPO0P, FPO1P, FPO2P, FPO3P, CKO0P, CKO1P, CKO2P, CKO3P, CKO4P and CKO5P bits to generate the FPo0 - 3 and CKo0 - 5 timing. FPo\_OFF2 is configured to provide the non-offset frame pulse corresponding to the 19.44 MHz clock on CKo5 by setting the FP19EN (bit 10) in the FPOFF2 register. In this instance, FPo\_OFF2 can be labeled as FPo5.



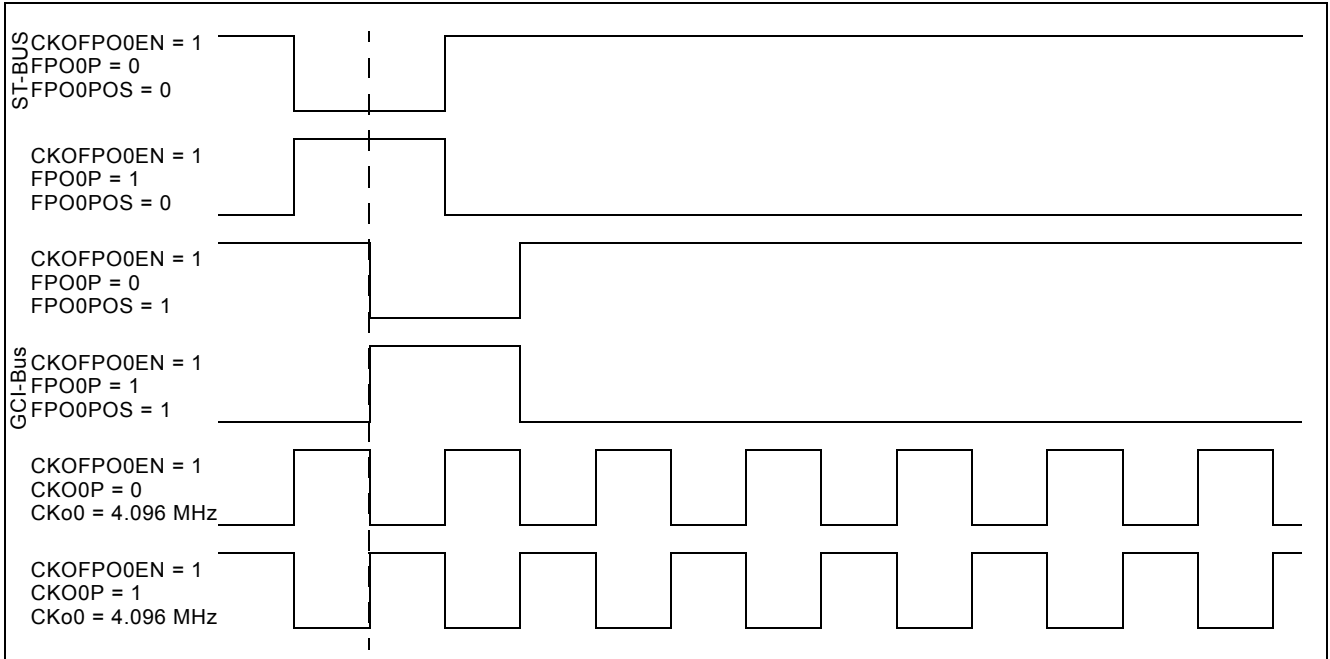


Figure 7 - Output Timing for CKo0 and FPo0

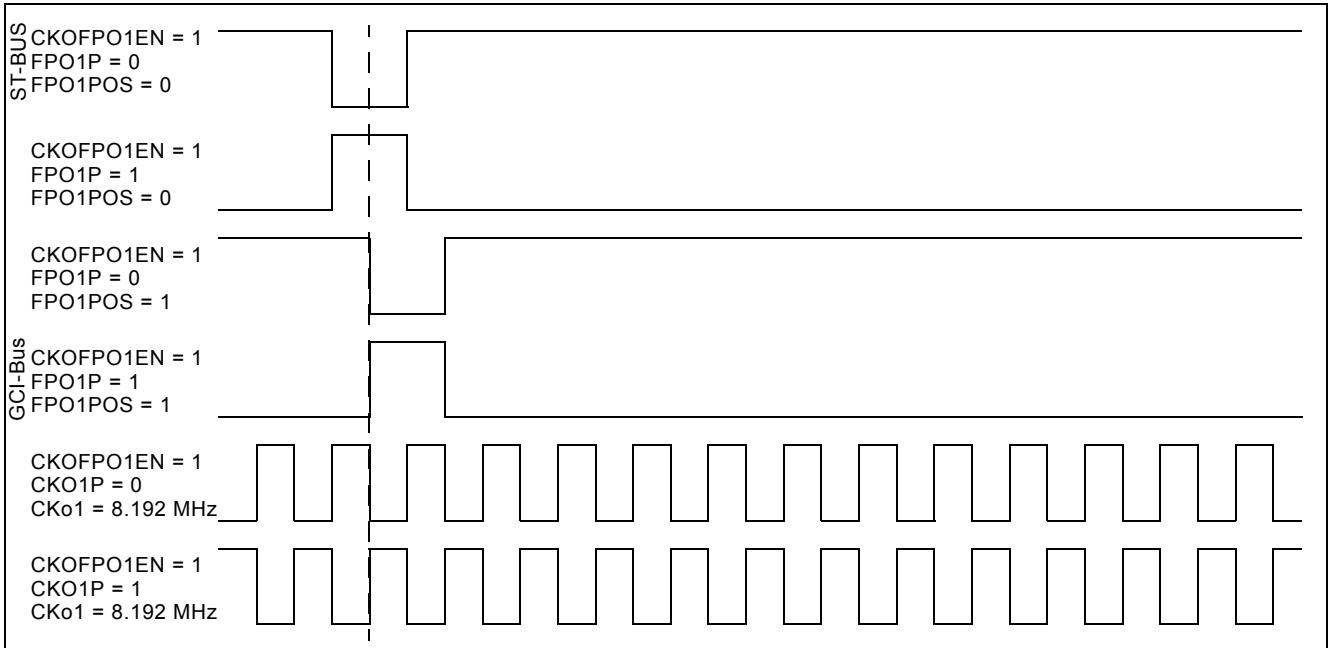


Figure 8 - Output Timing for CKo1 and FPo1

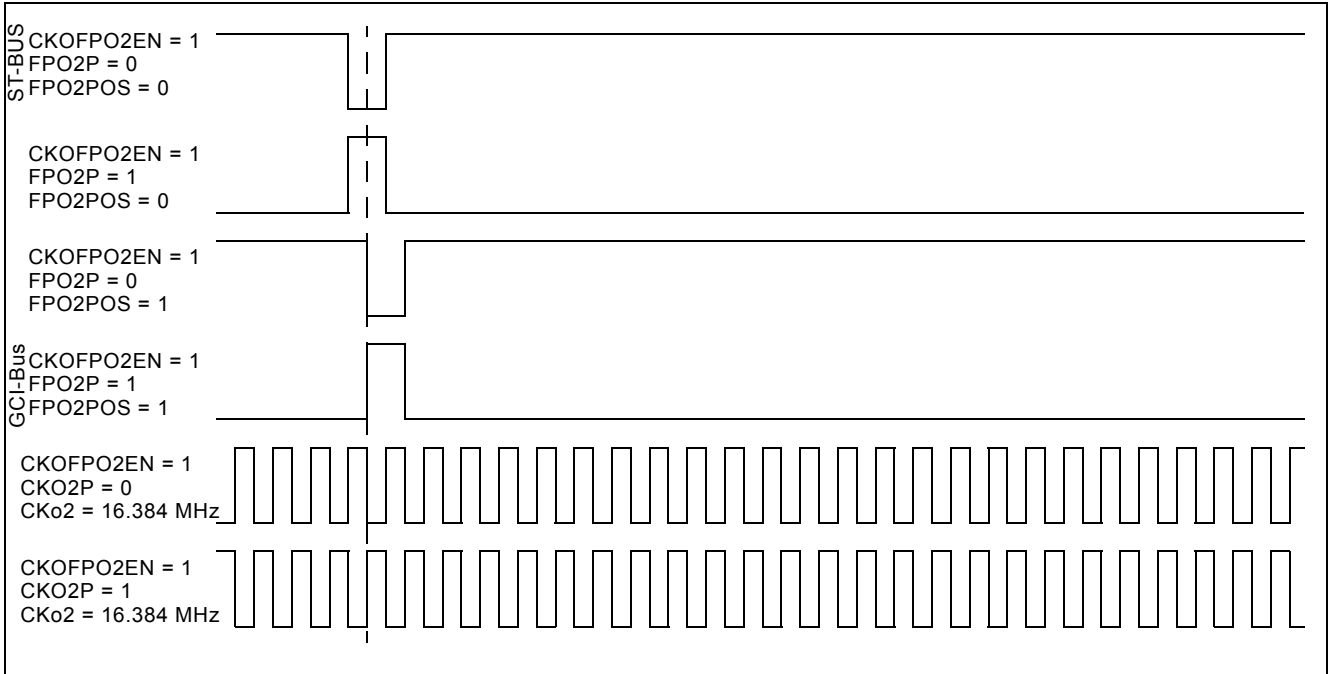


Figure 9 - Output Timing for CKo2 and FPo2

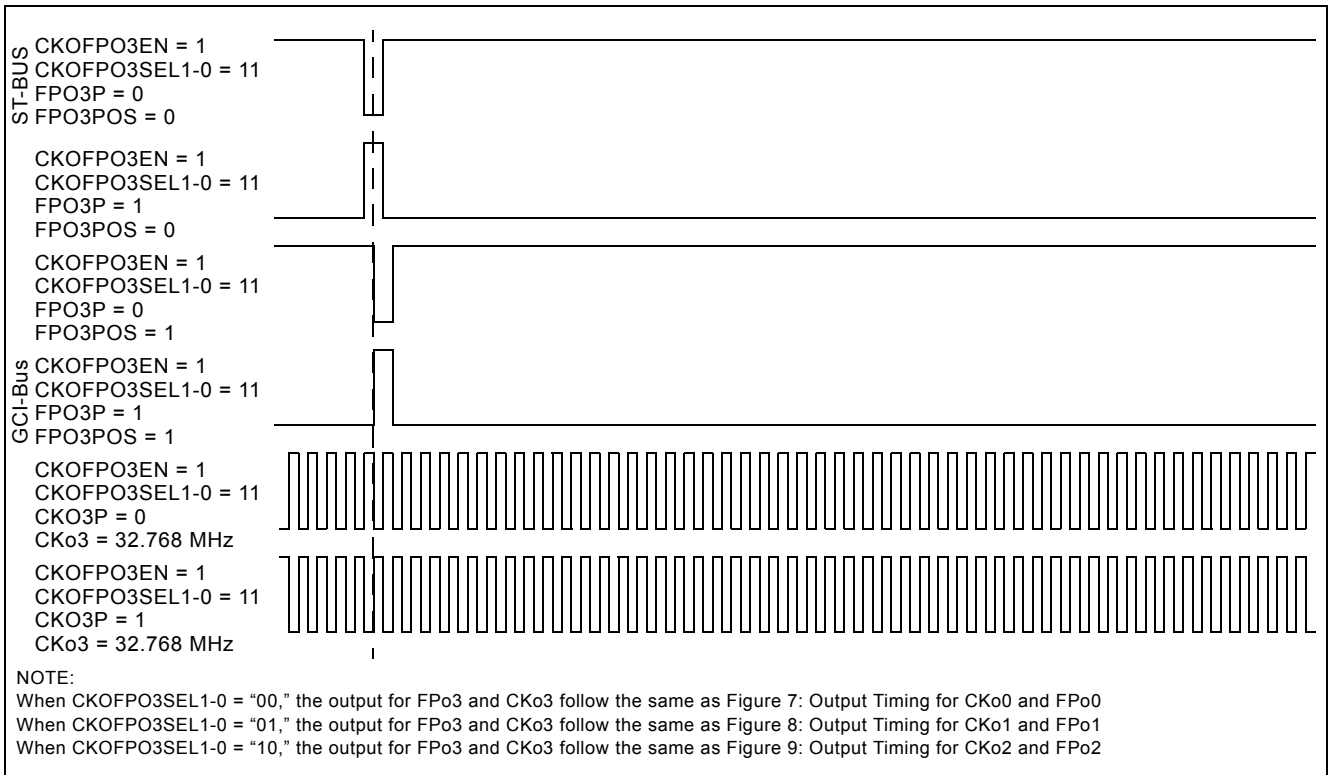


Figure 10 - Output Timing for CKo3 and FPo3 with CK0FPo3SEL1-0="11"

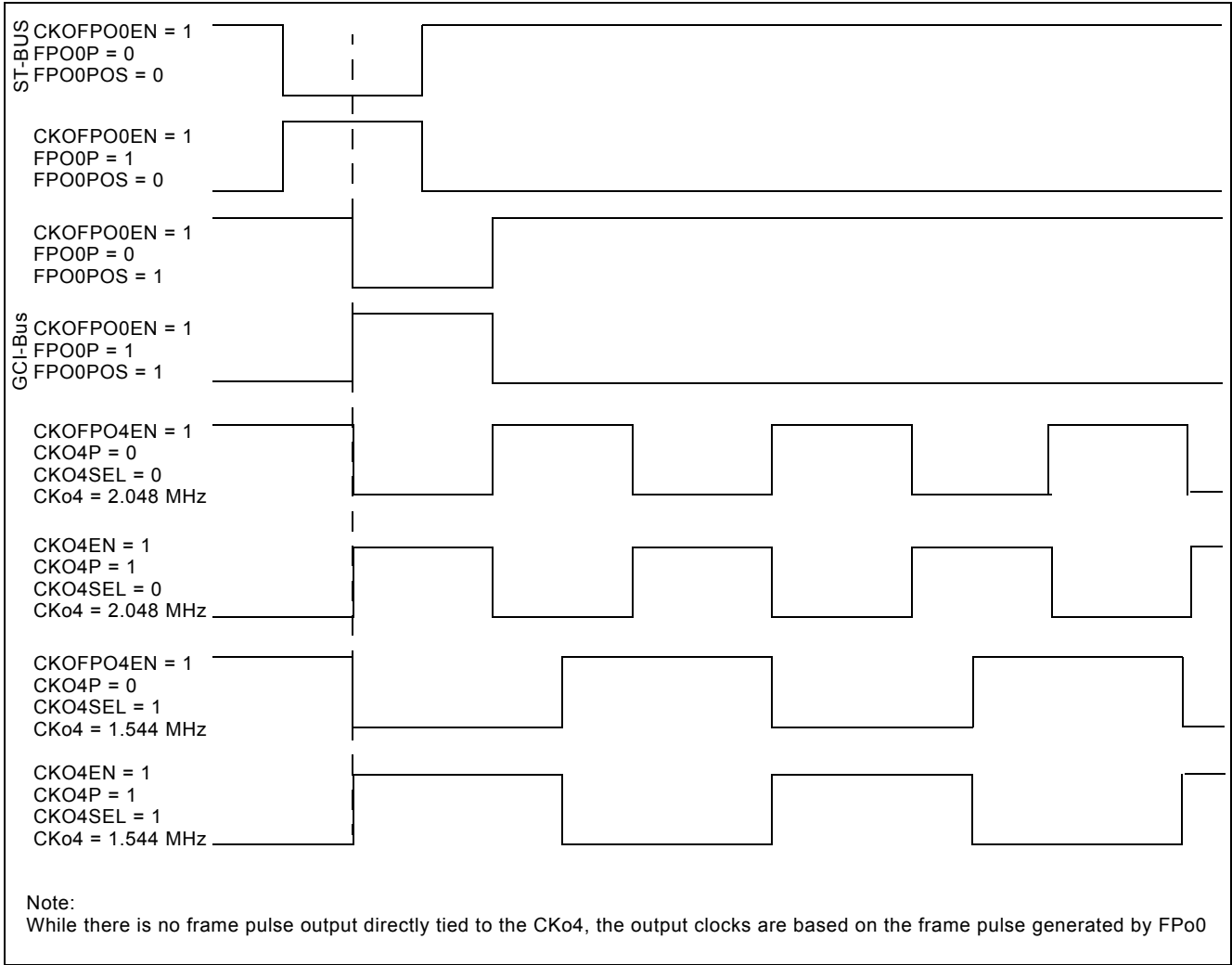


Figure 11 - Output Timing for CKo4

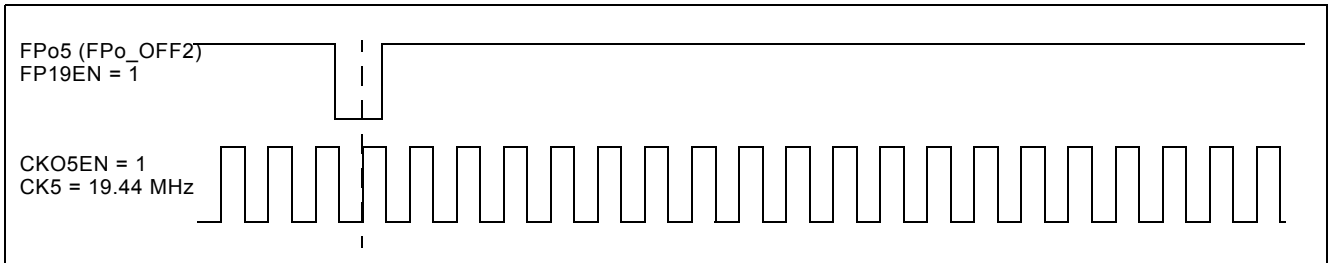


Figure 12 - Output Timing for CKo5 and FPo5 (FPo\_OFF2)

### 8.0 Data Input Delay and Data Output Advancement

Various registers are provided to adjust the input delay and output advancement for each input and output data stream. The input bit delay and output bit advancement can vary from 0 to 7 bits for each individual stream.

If input delay of less than a bit is desired, different sampling points can be used to handle the adjustments. The sampling point can vary from 1/4 to 4/4 with a 1/4-bit increment for all input streams, unless the stream is operating at 16.384 Mbps, in which case the fractional bit delay has a 1/2-bit increment. By default, the sampling point is set to the 3/4-bit location for non-16.384 Mbps data rates and the 1/2-bit location for the 16.384 Mbps data rate.

The fractional output bit advancement can vary from 0 to 3/4 bits, again with a 1/4-bit increment unless the output stream is operating at 16.384 Mbps, in which case the output bit advancement has a 1/2-bit increment from 0 to 1/2 bit. By default, there is 0 output bit advancement.

Although input delay or output advancement features are available on streams which are operating in bi-directional mode it is not recommended, as it can easily cause bus contention. If users require this function, special attention must be given to the timing to ensure contention is minimized.

#### 8.1 Input Bit Delay Programming

The input bit delay programming feature provides users with the flexibility of handling different wire delays when designing with source streams for different devices.

By default, all input streams have zero bit delay, such that bit 7 is the first bit that appears after the input frame boundary (assuming ST-BUS formatting). The input delay is enabled by STIN[n]BD2-0 (bits 8 - 6) in the Stream Input Control Register 0 - 31 (SICR0 - 31) as described in Section 44 on page 73. The input bit delay can range from 0 to 7 bits.

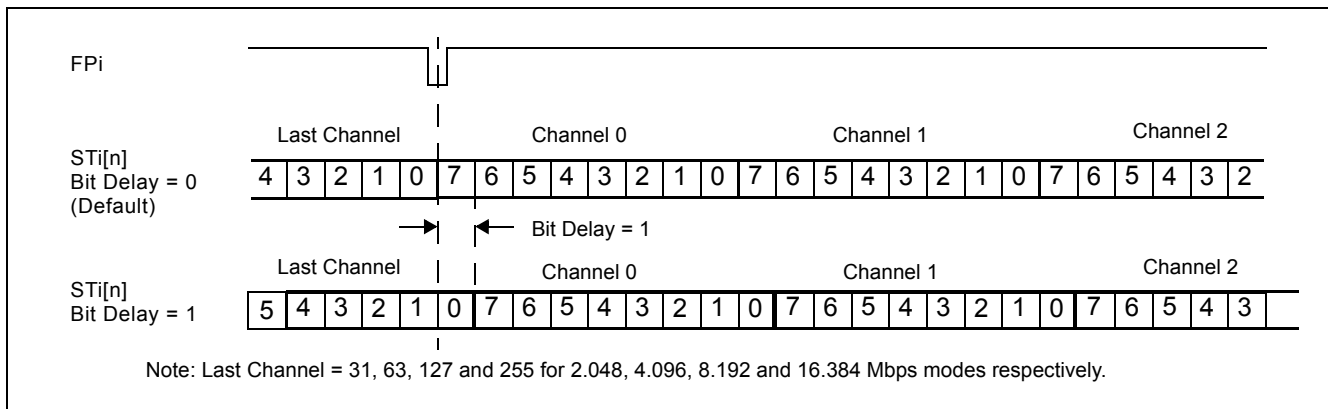


Figure 13 - Input Bit Delay Timing Diagram (ST-BUS)

### 8.2 Input Bit Sampling Point Programming

In addition to the input bit delay feature, the ZL50019 allows users to change the sampling point of the input bit by programming STIN[n]SMP 1-0 (bits 5 - 4) in the Stream Input Control Register 0 - 31 (SICR0 - 31). For input streams operating at any rate except 16.384 Mbps, the default sampling point is at 3/4 bit and users can change the sampling point to 1/4, 1/2, 3/4 or 4/4 bit position. When the stream is operating at 16.384 Mbps, the default sampling point is 1/2 bit and can be adjusted to a 4/4 bit position.

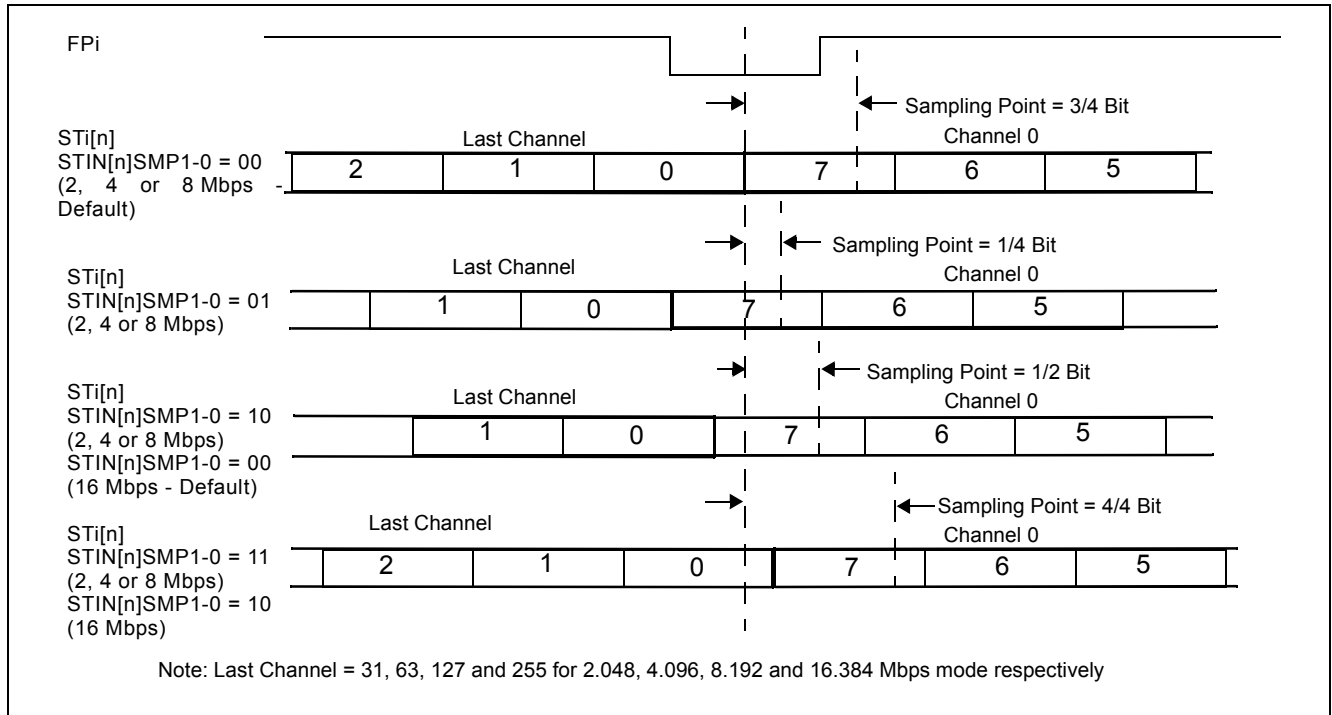


Figure 14 - Input Bit Sampling Point Programming

The input delay is controlled by STIN[n]BD2-0 (bits 8 - 6) to control the bit shift and STIN[n]SMP1 - 0 (bits 5 - 4) to control the sampling point in the Stream Input Control Register 0 - 31 (SICR0 - 31).

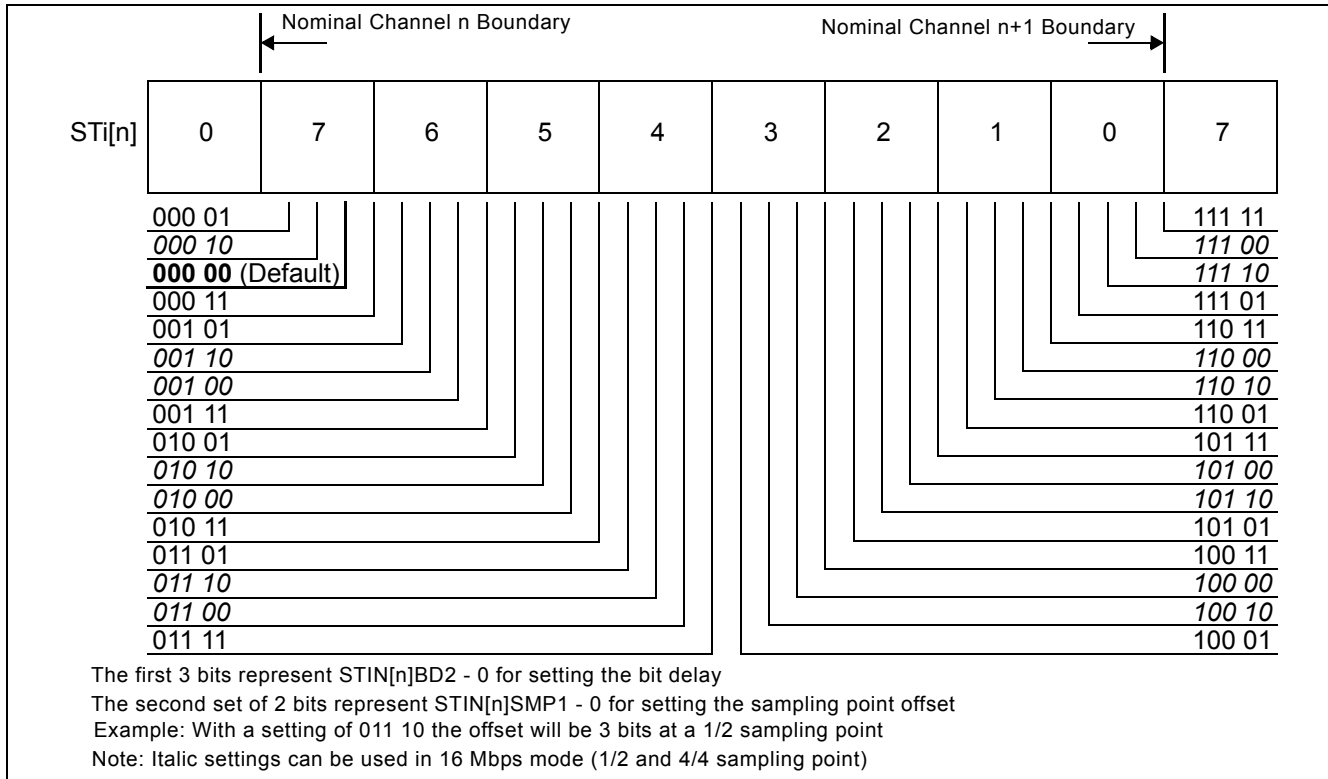


Figure 15 - Input Bit Delay and Fractional Sampling Point

### 8.3 Output Advancement Programming

This feature is used to advance the output data of individual output streams with respect to the output frame boundary. Each output stream has its own bit advancement value which can be programmed in the Stream Output Control Register 0 - 31 (SOCR0 - 31).

By default, all output streams have zero bit advancement such that bit 7 is the first bit that appears after the output frame boundary (assuming ST-BUS formatting). The output advancement is enabled by STO[n]AD 2 - 0 (bits 6 - 4) of the Stream Output Control Register 0 - 31 (SOCR0 - 31) as described in Table 46 on page 77. The output bit advancement can vary from 0 to 7 bits.

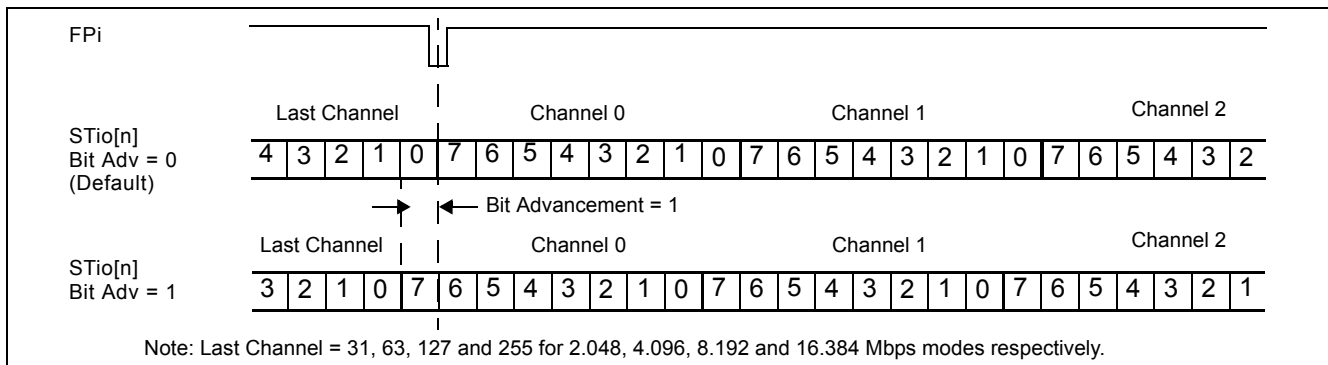


Figure 16 - Output Bit Advancement Timing Diagram (ST-BUS)

### 8.4 Fractional Output Bit Advancement Programming

In addition to the output bit advancement, the device has a fractional output bit advancement feature that offers better resolution. The fractional output bit advancement is useful in compensating for varying parasitic load on the serial data output pins.

By default all of the streams have zero fractional bit advancement such that bit 7 is the first bit that appears after the output frame boundary. The fractional output bit advancement is enabled by STIo[n]FA 1 - 0 (bits 8 - 7) in the Stream Output Control Register 0 - 31 (SOCR0 - 31). For all streams running at any data rate except 16.384 Mbps the fractional bit advancement can vary from 0, 1/4, 1/2 to 3/4 bits. For streams operating at 16.384 Mbps, the fractional bit advancement can be set to either 0 or 1/2 bit.

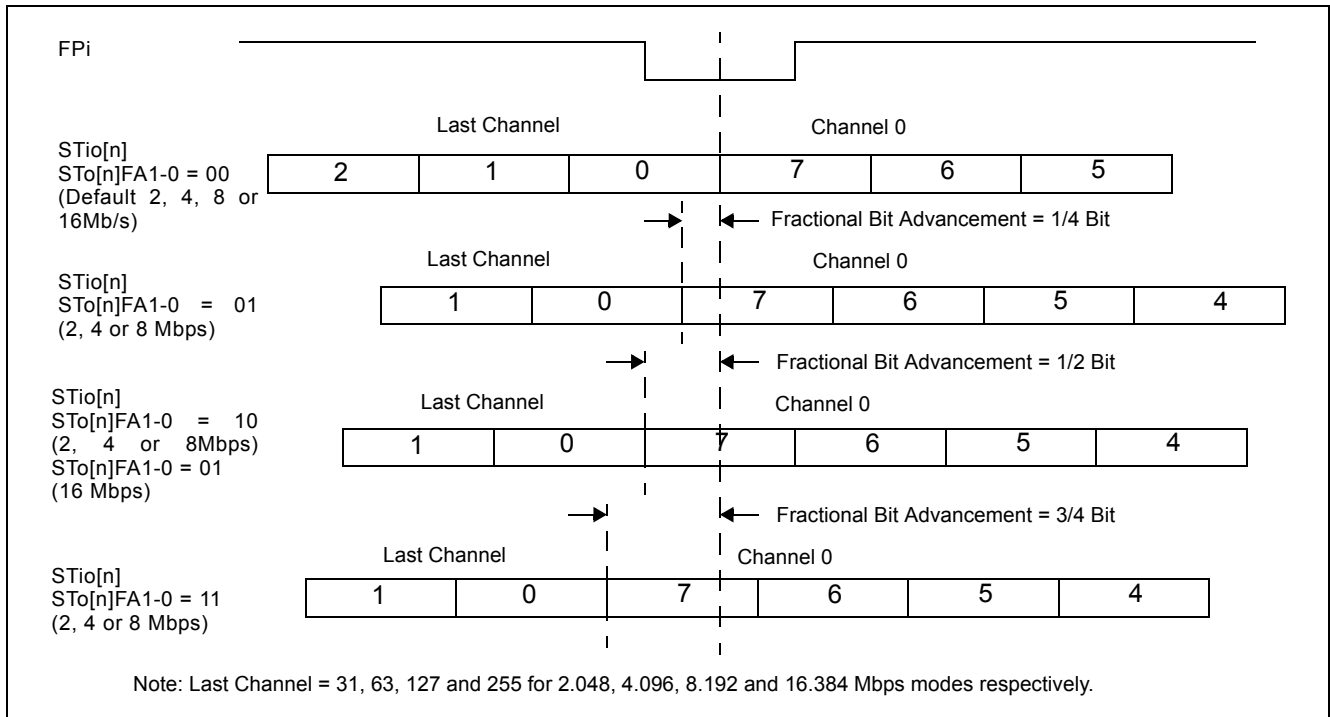


Figure 17 - Output Fractional Bit Advancement Timing Diagram (ST-BUS)

### 8.5 External High Impedance Control Advancement

The external high impedance signals can be programmed to better match the timing required by the external buffers. By default, the output timing of the STOHZ signals follows the programmed channel delay and bit offset of their corresponding ST-BUS/GCI-Bus output streams. In addition, for all high impedance streams operating at any data rate except 16.384 Mbps, the user can advance the STOHZ signals a further 0, 1/4, 1/2, 3/4 or 4/4 bits by programming STOHZ[n]A 2 - 0 (bit 11 - 9) in the Stream Output Control Register. When the stream is operating at 16.384 Mbps, the additional STOHZ advancement can be set to 0, 1/2 or 4/4 bits by programming the same register.

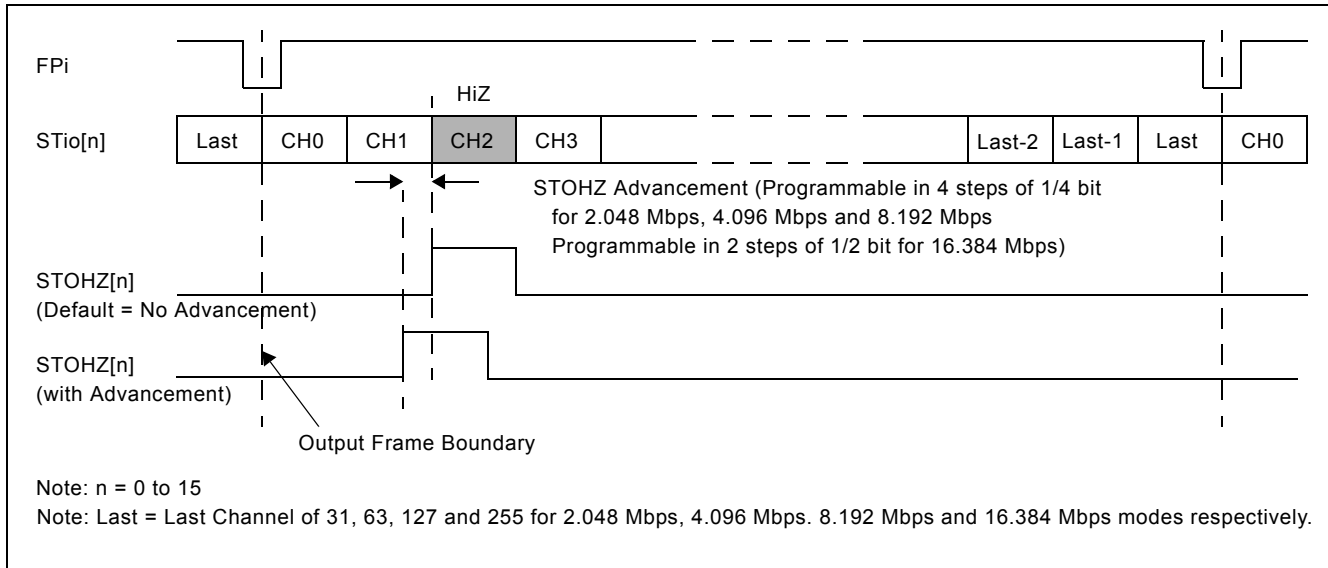


Figure 18 - Channel Switching External High Impedance Control Timing

### 9.0 Data Delay Through the Switching Paths

The switching of information from the input serial streams to the output serial streams results in a throughput delay. The device can be programmed to perform timeslot interchange functions with different throughput delay capabilities on a per-channel basis. For voice applications, select variable throughput delay to ensure minimum delay between input and output data. In wideband data applications, select constant delay to maintain the frame integrity of the information through the switch. The delay through the device varies according to the type of throughput delay selected by the  $\overline{V/C}$  (bit 14) in the Connection Memory Low when CMM = 0.

#### 9.1 Variable Delay Mode

Variable delay mode causes the output channel to be transmitted as soon as possible. This is a useful mode for voice applications where the minimum throughput delay is more important than frame integrity. The delay through the switch can vary from 7 channels to 1 frame + 7 channels. To set the device into variable delay mode, VAREN (bit 4) in the Control Register (CR) must be set before  $\overline{V/C}$  (bit 14) in the Connection Memory Low when CMM = 0. If the VAREN bit is not set and the device is programmed for variable delay mode, the information read on the output stream will not be valid.

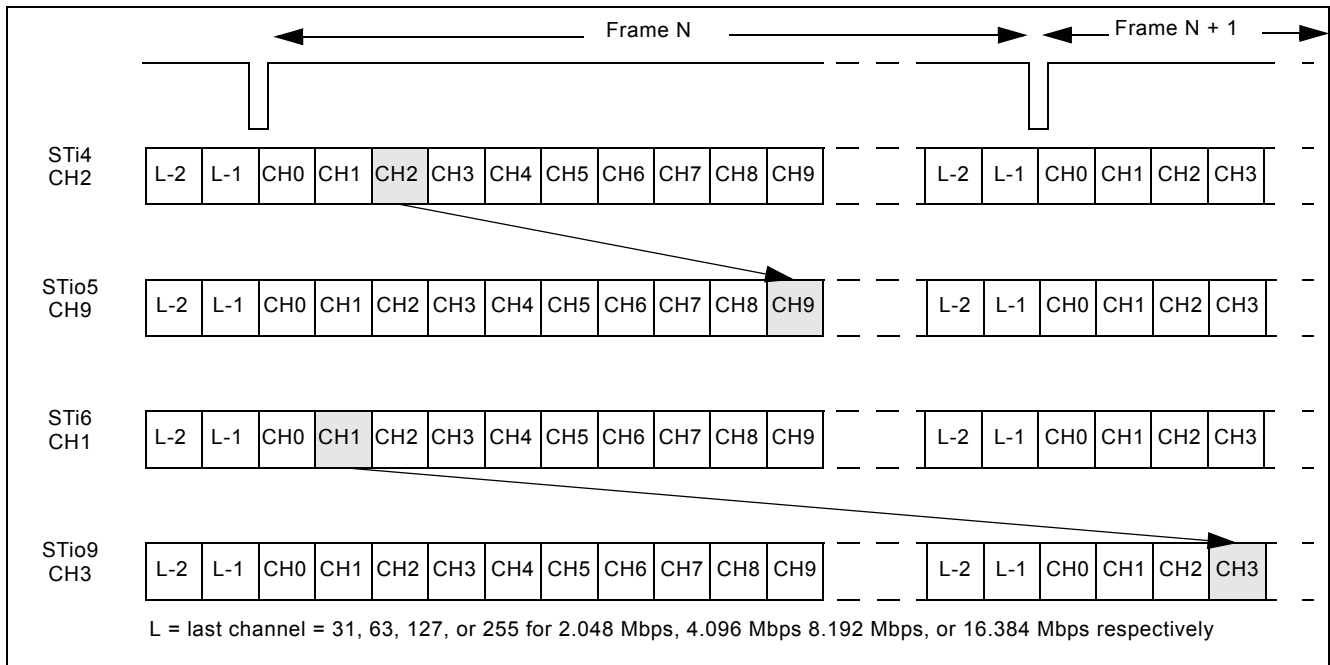


In variable delay mode, the delay depends on the combination of the source and destination channels of the input and output streams.

m = input channel number n = output channel number	n-m ≤ 0	0 < n-m < 7	n-m = 7		n-m > 7
			ST <sub>io</sub> < ST <sub>i</sub>	ST <sub>io</sub> ≥ ST <sub>i</sub>	
T = Delay between input and output	1 frame - (m-n)	1 frame + (n-m)	n-m		

**Table 4 - Delay for Variable Delay Mode**

For example, if Stream 4 Channel 2 is switched to Stream 5 Channel 9 with variable delay, the data will be output in the same 125 μs frame. Contrarily, if Stream 6 Channel 1 is switched to Stream 9 Channel 3, the information will appear in the following frame.



**Figure 19 - Data Throughput Delay for Variable Delay**

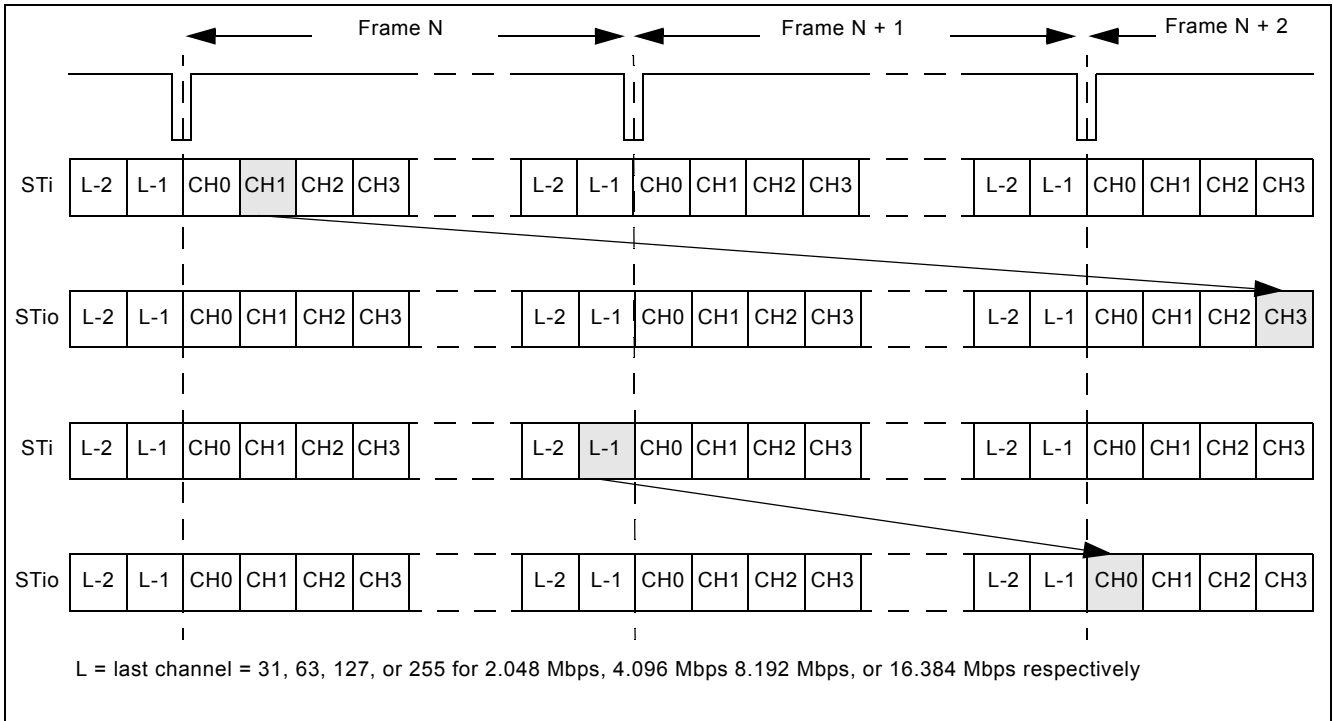
## 9.2 Constant Delay Mode

In this mode, frame integrity is maintained in all switching configurations. The delay through the switch is 2 frames - Input Channel + Output Channel. This can result in a minimum of 1 frame + 1 channel delay if the last channel on a stream is switched to the first channel of a stream. The maximum delay is 3 frames - 1 channel. This occurs when the first channel of a stream is switched to the last channel of a stream. The constant delay mode is available for all output channels.

The data throughput delay is expressed as a function of ST-BUS/GCI-Bus frames, input channel number (m) and output channel number (n). The data throughput delay (T) is:

$$T = 2 \text{ frames} + (n - m)$$

The constant delay mode is controlled by  $\overline{V/C}$  (bit 14) in the Connection Memory Low when CMM = 0. When this bit is set low, the channel is in constant delay mode. If VAREN (bit 4) in the Control Register (CR) is set (to enable variable throughput delay on a chip-wide basis), the device can still be programmed to operate in constant delay mode.



**Figure 20 - Data Throughput Delay for Constant Delay**

### 10.0 Connection Memory Description

The connection memory consists of two blocks, Connection Memory Low (CM\_L) and Connection Memory High (CM\_H). The CM\_L is 16-bits wide and is used for channel switching and other special modes. The CM\_H is 5-bits wide and is used for the voice coding function. When UAEN (bit 15) of the Connection Memory Low (CM\_L) is low,  $\mu$ -law/A-law conversion will be turned off and the contents of CM\_H will be ignored. Each connection memory location of the CM\_L or CM\_H can be read or written via the 16 bit microprocessor port within one microprocessor access cycle. See Table 51 on page 80 for the address mapping of the connection memory. Any unused bits will be reset to zero on the 16-bit data bus.

For the normal channel switching operation, CMM (bit 0) of the Connection Memory Low (CM\_L) is programmed low. SCA7 - 0 (bits 8 - 1) indicate the source (input) channel address and SSA4 - 0 (bits 13 - 9) indicate the source (input) stream address. The 5-bit contents of the CM\_H will be ignored during the normal channel switching mode without the  $\mu$ -law/A-law conversion when UAEN (bit 15) of the Connection Memory Low (CM\_L) is set to zero. If  $\mu$ -law/A-law conversion is required, the CM\_H bits must be programmed first to provide the voice/data information, the input coding law and the output coding law before the assertion of UAEN (bit 15) in the Connection Memory Low.

When CMM (bit 0) of the Connection Memory Low (CM\_L) is programmed high, the ZL50019 will operate in one of the special modes described in Table 53 on page 81. When the per-channel message mode is enabled, MSG7 - 0 (bit 10 - 3) in the Connection Memory Low (CM\_L) will be output via the serial data stream as message output data. When the per-channel message mode is enabled, the  $\mu$ -law/A-law conversion can also be enabled as required.

## 11.0 Connection Memory Block Programming

This feature allows for fast initialization of the connection memory after power up.

### 11.1 Memory Block Programming Procedure

1. Set MBPE (bit 3) in the Control Register (CR) from low to high.
2. Configure BPD2 - 0 (bits 3 - 1) in the Internal Mode Selection (IMS) register to the desired values to be loaded into CM\_L.
3. Start the block programming by setting MBPS (bit 0) in the Internal Mode Selection Register (IMS) high. The values stored in BPD2 - 0 will be loaded into bits 2 - 0 of all CM\_L positions. The remaining CM\_L locations (bits 15 - 3) and the programmable values in the CM\_H (bits 4 - 0) will be loaded with zero values.

The following tables show the resulting values that are in the CM\_L and CM\_H connection memory locations.

Bit	15	14	13	12	11	10	9	8	7	6	5	4	3	2	1	0
Value	0	0	0	0	0	0	0	0	0	0	0	0	0	BPD2	BPD1	BPD0

**Table 5 - Connection Memory Low After Block Programming**

Bit	15	14	13	12	11	10	9	8	7	6	5	4	3	2	1	0
Value	0	0	0	0	0	0	0	0	0	0	0	0	0	0	0	0

**Table 6 - Connection Memory High After Block Programming**

Note: Bits 15 to 5 are reserved in Connection Memory High and should always be 0.

It takes at least two frame periods (250  $\mu$ s) to complete a block program cycle.

MBPS (bit 0) in the Control Register (CR) will automatically reset to a low position after the block programming process has completed.

MBPE (bit 3) in the Internal Mode Selection (IMS) register must be cleared from high to low to terminate the block programming process. This is not an automatic action taken by the device and must be performed manually.

**Note:** Once the block program has been initiated, it can be terminated at any time prior to completion by setting MBPS (bit 0) in the Control Register (CR) or MBPE (bit 3) in the Internal Mode Selection (IMS) register to low. If the MBPE bit was used to terminate the block programming, the MBPS bit will have to be set low before enabling other device operations.

## 12.0 Device Performance in Master Mode and Slave Modes

This device has two main operating modes - Master mode and Slave mode.

If the device is programmed to work in Master mode, it is expected that the input clock and frame pulse will be supplied from the embedded DPLL, either directly (using loopback mode) or outside the device. Sources and destinations of the device's serial input and output data, respectively, have to be synchronized with the device's output clock and frame pulse. In Master mode, output clocks and frame pulses are driven by the DPLL and they are always available with any of the specified frequencies.

In addition to Master mode, there are two main Slave modes: Divided Slave mode and Multiplied Slave mode. If the device is in Slave mode, output clocks and frame pulses are generated based on CKi and FPi. In Divided Slave mode, output clocks and frame pulses are directly divided from CKi/FPi; therefore, the output clock rate cannot exceed the CKi rate. In Multiplied Slave mode, the output clocks and frame pulses are generated from a clock

internal to the device and are synchronized to CKi and FPi. All specified frequencies are available on CKo[0:3] in Multiplied Slave mode.

By default, the DPLL is disabled if the device is in Slave mode. However, the DPLL can be activated by programming the SLV\_DPLLEN bit in the Control Register. When the DPLL is enabled, CKo4, CKo5 and FPo5 will be generated from the DPLL, while the other clocks and frame pulses will be generated based on CKi/FPi. In this case the DPLL will be fully functional, including its capability of reference monitoring.

Note that an external oscillator is required whenever the DPLL is used.

Table 7, “ZL50019 Operating Modes” on page 36 summarizes the different modes of operation available within the ZL50019. Each Major mode (explained below) has an associated Minor mode that is determined by setting the relevant Input Control pins and Control Register bits (Table 16, “Control Register (CR) Bits” on page 48) indicated in the table.

Device		Input Pins				CR Register			Output Clock Pins				Data Pins	
Operating Mode		Control		Signal		Bits			Reference Lock		Enabled		Clock Source	
Major	Minor	OSC_EN	MODE_4M [1:0]	OSCi	CKi	OPM [1:0]	SLV_DPLLEN	CKi_LP	CKo0-3	CKo4-5	CKo0-3	CKo4-5	STi	STo
Master	CKi	1	00	2 0MHz	4/8/16 M	00	X	0	Freerun, Holdover or REF0-3		Yes	Yes	CKi*	CKo2 (DPLL)
	Loopback				X			1					Cko2	
Divided Slave	4 M	1	11	20 MHz	4 M	01	1	X	CKi	REF0-3		Yes	CKi	CKo0-3 (CKi)
	8/16 M				8/16 M									
	4 M	0	11	X	4 M	X0	0	X	No					
	8/16 M			8/16 M										
Multiplied Slave	4 M	1	11	20 MHz	4 M	11	1		CKi MULT	REF0-3		Yes	CKo0-3 (CKi MULT)	
	8/16 M				8/16 M									
	4 M	0	11	X	4 M	X1	0	X	No					
	8/16 M			8/16 M										

Legend:

X Don't care or not applicable.

Reference Lock Refers to what signal the output pins are locked to:  
 REF0-3 = Normal  
 Cki = Bypass. Cki is passed directly through to CKo0-3.  
 Cki MULT = Cki is passed through clock multiplier to CKo0-3.  
 \* Cki must be phase aligned (edge synchronous) to CLo0-3.  
 Clock Source Refers to which clock samples STi and which clock outputs STo; STi applies when STio is input; STo applies when STio is output.

Table 7 - ZL50019 Operating Modes

### 12.1 Master Mode Performance

When the device is in Master mode, the DPLL is phase-locked to the one of four DPLL reference signals, REF0 to REF3, which are sourced by an external 8 kHz, 1.544 MHz, 2.048 MHz, 4.096 MHz, 8.192 MHz, 16.384 MHz or 19.44 MHz signal. The on-chip DPLL also offers reference switching and monitoring, jitter attenuation, freerun and holdover functions. In this mode, STio0 - 31 are driven by a clock generated by the DPLL, which also provides all the output clocks (CKo0 - 5) and frame pulses (FPo0 - 3 and FPo\_OFF0 - 2).

### 12.2 Divided Slave Mode Performance

When the device is in Divided Slave mode, STio0 - 31 are driven by CKi. In this mode, the output streams and clocks have the same amount of jitter as the input clock (CKi), but the output data rate cannot exceed the input data rate defined by CKi. For example, if CKi is 4.096 MHz, the output data rate cannot be higher than 2.048 Mbps, and the generated output clock rates cannot exceed 4.096 MHz. If the DPLL is not enabled, an external oscillator is optional in Divided Slave mode.

### 12.3 Multiplied Slave Mode Performance

When the device is in Multiplied Slave mode, device hardware is used to multiply CKi internally. STio0 - 31 are driven by this internally generated clock. In this mode, the output data rate can be any specified data rate, but the output streams and clocks may have different jitter characteristics from the input clock (CKi). If the DPLL is not enabled, an external oscillator is not required in Multiplied Slave mode.

## 13.0 Overall Operation of the DPLL

The DPLL accepts four input references and delivers six output clocks and five output frame pulses. The DPLL meets or exceeds all of the requirements of the Telcordia GR-1244-CORE standard for a Stratum 4E compliant PLL. This includes the freerun, reference switching and monitoring, jitter/wander attenuation and holdover functions. The intrinsic output jitter of the DPLL does not exceed 1 ns (except for the 1.544 MHz output).

The DPLL is able to lock to an input reference presented on the REF0 - 3 inputs. It is possible to force the DPLL module to lock to a selected reference, to prefer one reference, to enter holdover mode or to freerun.

### 13.1 DPLL Functional Modes

There are four functional modes for the DPLL: normal, holdover, automatic and freerun modes. In addition to these four functional modes, the DPLL can also be programmed to internal reset mode.

#### 13.1.1 Normal Operating Mode

In the normal operating mode, the DPLL generates clocks and frame pulses that are phase locked to the active input reference. Jitter on the input clock is attenuated by the DPLL.

#### 13.1.2 Holdover Mode

In holdover mode, the DPLL no longer synchronizes the output clock to any input reference. It maintains the frequency that it was at prior to entering holdover mode. The holdover operation typically happens when the input clock becomes unreliable or is lost altogether. It takes some time for the system to realize that the input clock is unreliable. Meanwhile, the DPLL tracks an unreliable clock. Therefore the DPLL could hold to an invalid frequency when it enters holdover mode. In order to prevent this situation, the DPLL stores the current frequency at regular intervals in holdover memory so that it can restore the frequency of the input clock just after the input clock became unreliable.

#### 13.1.3 Automatic Mode

In this mode, the state machine controls the DPLL based on the settings in the registers and the quality of the reference input clocks. The DPLL is internally either in normal or in holdover mode.

#### 13.1.4 Freerun Mode

In freerun mode, the DPLL generates a fixed output frequency based on the crystal oscillator frequency. To meet Stratum 4E, the accuracy of the circuitry for the freerunning output clock must be 32 ppm or better.

#### 13.1.5 DPLL Internal Reset Mode

DPLL\_IRM (bit 0) in the DPLL Control Register (DPLLCR) enables the internal reset mode. In the internal reset mode, the DPLL module is disabled to save power. The circuit will be reset continuously and no output clocks will be generated. When the internal DPLL module is in the internal reset mode, all registers remain accessible. Note that applying the DPLL reset does not reset the DPLL registers: they preserve the values that they had prior to entering reset.

## 14.0 DPLL Frequency Behaviour

### 14.1 Input Frequencies

The DPLL is capable of synchronizing to one of the following input frequencies:

8 kHz
1.544 MHz (DS1)
2.048 MHz (E1)
4.096 MHz
8.192 MHz
16.384 MHz
19.44 MHz

**Table 8 - DPLL Input Reference Frequencies**

### 14.2 Input Frequencies Selection

The input frequencies of REF 0 - 3 can be automatically detected or programmed independently by the Reference Frequency Register (RFR) if RFRE (bit 1) in the DPLL Control Register (DPLLCR) is set. The detected frequency of the selected reference is indicated in the Reference Change Status Register (RCSR). In addition, the detected frequencies of all four references are indicated in the Reference Frequency Status Register (RFSR). See Table 27 on page 58, Table 28 on page 59, Table 36 on page 65 and Table 42 on page 71 for the detailed bit description of the DPLL Control Register (DPLLCR), Reference Frequency Register (RFR), Reference Change Status Register (RCSR) and Reference Frequency Status Register (RFSR), respectively.

### 14.3 Output Frequencies

The DPLL generates a limited number of output signals. All signals are synchronous to each other and in the normal operating mode, are locked to the selected input reference. The DPLL provides outputs with the following frequencies:

CKo0	4.096 MHz
CKo1	8.192 MHz
CKo2	16.384 MHz
CKo3	4.096 MHz, 8.192 MHz, 16.384 MHz or 32.768 MHz
CKo4	1.544 MHz or 2.048 MHz
CKo5	19.44 MHz
FPo0	8 kHz (244 ns wide pulse)
FPo1	8 kHz (122 ns wide pulse)
FPo2	8 kHz (61 ns wide pulse)
FPo3	8 kHz (244 ns, 122 ns, 61 ns or 30 ns wide pulse)
FPo5	8 kHz (51 ns wide pulse)

**Table 9 - Generated Output Frequencies**

#### 14.4 Pull-In/Hold-In Range (also called Locking Range)

The widest tolerance required for any of the given input clock frequencies is  $\pm 130$  ppm for the T1 clock (1.544 MHz). If the system clock (crystal/oscillator) accuracy is  $\pm 30$  ppm, it requires a minimum pull-in range of  $\pm 160$  ppm. Users who do not require the  $\pm 30$  ppm freerun accuracy of the DPLL can use a  $\pm 100$  ppm system clock. Therefore the pull-in range is a minimal  $\pm 230$  ppm. The pull-in range of this device is  $\pm 260$  ppm.

### 15.0 Jitter Performance

#### 15.1 Input Clock Cycle to Cycle Timing Variation Tolerance

The ZL50019 has an exceptional cycle to cycle timing variation tolerance of 20 ns. This allows the ZL50019 to synchronize off a low cost DPLL when it is in either Divided Slave mode or Multiplied Slave mode.

#### 15.2 Input Jitter Acceptance

The input jitter acceptance is specified in standards as the minimum amount of jitter of a certain frequency on the input clock that the DPLL must accept without making cycle slips or losing lock. The lower the jitter frequency, the larger the jitter acceptance. For jitter frequencies below a tenth of the cut-off frequency of the DPLL's jitter transfer function, any input jitter will be followed by the DPLL. The maximum value of jitter tolerance for the DPLL is  $\pm 1023 U_{I_{p-p}}$ .

#### 15.3 Jitter Transfer Function

The corner frequency (-3 dB) of the Stratum 4E DPLL is 15.2 Hz.

### 16.0 DPLL Specific Functions and Requirements

#### 16.1 Lock Detector

To determine if the DPLL is locked to the input clock, a lock detector monitors the phase value output of the phase detector, which represents the difference between input reference and output feedback clock. If the phase value is below a certain threshold for a certain interval, the DPLL is pronounced locked to the input clock. The monitoring is done in intervals of 4 ms. The lock detector threshold and the interval are programmable by the user through the Lock Detector Threshold Register (LDTR) and the Lock Detector Interval Register (LDIR) respectively. See Table 32 on page 62 and Table 33 on page 63 for the bit descriptions of the Lock Detector Threshold Register (LDTR) and Lock Detector Interval Register (LDIR) respectively. The value of the Lock Detector Threshold Register (LDTR) should be programmed with respect to the maximum expected jitter frequency and amplitude on the selected input references.

The lock status can be monitored through the Reference Change Status Register (RCSR). See Table 36 on page 65 for the bit description of the Reference Change Status Register (RCSR).

#### 16.2 Maximum Time Interval Error (MTIE)

Several standards require that the output clock of the DPLL may not move in phase more than a certain amount. In order to meet those standards, a special circuit maintains the phase of the DPLL output clock during reference and mode rearrangements. The total output phase change or Maximum Timing Interval Error (MTIE) during rearrangements is less than 31 ns per rearrangement, exceeding Stratum 4E requirements. After a large number of reference switches, the accumulated phase error can become significant, so it is recommended to use MTIE reset in such situations, to realign outputs to the nearest edge of the selected reference. The MTIE reset can be programmed by setting MTR (bit 7) in the Reference Change Control Register (RCCR), as described in Table 35 on page 63.

### 16.3 Phase Alignment Speed (Phase Slope)

Besides total phase change, standards also require a certain rate of the phase change of the output clock. The phase alignment speed is programmable by the user through a value in the Slew Rate Limit Register (SRLR) as described in Table 34 on page 63. Stratum 4E requires that the phase alignment speed not exceed 81 ns per 1.326 ms (61ppm). The width of the register and the limiter circuitry provide a maximum phase change alignment speed of 186 ppm. The phase alignment speed default value is 56 ppm.

### 16.4 Reference Monitoring

The quality of the four input reference clocks is continuously monitored by the reference monitors. There are separate reference monitor circuits for the four DPLL references. References are checked for short phase (single period) deviations as well as for frequency (multi-period) deviations with hysteresis.

The Reference Status Register (RSR) reports the status of the reference monitors. The register bits are described in Table 40 on page 68. The Reference Mask Register (RMR) allows users to ignore the monitoring features of the reference monitors. See Table 41 on page 69 for details.

### 16.5 Single Period Reference Monitoring

Values for short phase deviations (upper and lower limit) are programmable through registers. The unit of the binary values of these numbers is 100 MHz clock period (10 ns). Single period deviation limits are more relaxed than multi period limits, and are used for early detection of the reference loss, or huge phase jumps.

The values for the upper and lower limits are shown in the following table:

Reference Frequency	Comment
8 kHz	10 Ulp-p
1.544 MHz	0.3 Ulp-p
2.048 MHz	0.2 Ulp-p
4.096 MHz	0.2 Ulp-p
8.192 MHz	0.2 Ulp-p
16.384 MHz	0.2 Ulp-p
19.44 MHz	0.2 Ulp-p

**Table 10 - Values for Single Period Limits**

### 16.6 Multiple Period Reference Monitoring

To monitor reference failure based on frequency offset, multi period checking is performed. Reference validation time is prescribed by Telcordia GR-1244-CORE and is between 10 and 30 seconds. To meet the criteria for reference validation time, the time base for multi period monitoring has to be big enough. To implement hysteresis, the upper limits are split into near upper and far upper limits and the lower limits are split into near lower and far lower limits. The reference failure is detectable only when the reference passes far limits, but passing is not detected until the reference is within near limits. The zone between near and far limits, called the “grey zone”, is required by standards and prevents unnecessary reference switching when the selected reference is close to the boundary of failure.

The monitor makes a decision about reference validity after two consecutive measurements with respect to its time base. The time base for multi-period monitoring is 10 seconds. The time base is defined in the number of reference clock cycles.



The device has two sets of limits the Stratum 4E default limits and the Relaxed Stratum 4E limits (see Table 11 on page 41). The ST4\_LIM bit in Table 27, DPLL Control Register (DPLLCR) Bits is used to select between the two sets of limits.

	Stratum 4E Default Limits (in 10 ns units)	Relaxed Stratum 4E Limits (in 10 ns units)
<b>Far Upper Limit</b>	-82.487 ppm	-250 ppm
<b>Near Upper Limit</b>	-64.713 ppm	-240 ppm
<b>Nominal Value</b>	0 ppm	
<b>Near Lower Limit</b>	64.713 ppm	240 ppm
<b>Far Lower Limit</b>	82.487 ppm	250 ppm

**Table 11 - Multi-Period Hysteresis Limits**

## 17.0 Microprocessor Port

The device provides access to the internal registers, connection memories and data memories via the microprocessor port. The microprocessor port is capable of supporting both Motorola and Intel non-multiplexed microprocessors. The microprocessor port consists of a 16-bit parallel data bus (D15 - 0), 14 bit address bus (A13 - 0) and six control signals (MOT\_INTEL, CS, DS\_RD, R/W\_WR, IRQ and DTA\_RDY).

The data memory can only be read from the microprocessor port. For a data memory read operation, D7 - 0 will be used and D15 - 8 will output zeros.

For a CM\_L read or write operation, all bits (D15 - 0) of the data bus will be used. For a CM\_H write operation, D4 - 0 of the data bus must be configured and D15 - 5 are ignored. D15 - 5 must be driven either high or low. For a CM\_H read operation, D4 - 0 will be used and D15 - 5 will output zeros.

Refer to Figure 24 on page 88, Figure 25 on page 89, Figure 26 on page 90 and Figure 27 on page 91 for the microprocessor timing.

## 18.0 Device Reset and Initialization

The  $\overline{\text{RESET}}$  pin is used to reset the ZL50019. When this pin is low, the following functions are performed:

- synchronously puts the microprocessor port in a reset state
- tristates the STio0 - 31 outputs
- drives the STOHz0 - 15 outputs to high
- preloads all internal registers with their default values (refer to the individual registers for default values)
- clears all internal counters

### 18.1 Power-up Sequence

The recommended power-up sequence is for the  $V_{DD\_IO}$  supply (normally +3.3 V) to be established before the power-up of the  $V_{DD\_CORE}$  supply (normally +1.8 V). The  $V_{DD\_CORE}$  supply may be powered up at the same time as  $V_{DD\_IO}$ , but should not "lead" the  $V_{DD\_IO}$  supply by more than 0.3 V.

## 18.2 Device Initialization on Reset

Upon power up, the ZL50019 should be initialized as follows:

- Set the ODE pin to low to disable the STio0 - 31 outputs and to drive STOHz0 - 15 to high
- Set the  $\overline{\text{TRST}}$  pin to low to disable the JTAG TAP controller
- Reset the device by pulsing the  $\overline{\text{RESET}}$  pin to zero for longer than 1  $\mu\text{s}$
- After releasing the  $\overline{\text{RESET}}$  pin from low to high, wait for a certain period of time (see Note below) for the device to stabilize from the power down state before the first microprocessor port access can occur
- Program CKIN1 - 0 (bit 6 -5) in the Control Register (CR) to define the frequency of the CKi and FPi inputs
- Wait at least 500  $\mu\text{s}$  prior to the next microport access (see Note below)
- Use the block programming mode to initialize the connection memory
- Release the ODE pin from low to high after the connection memory is programmed

**Note:** If an external oscillator is used, the waiting time is 500  $\mu\text{s}$ . Without the external oscillator, if CKi is 16.384 MHz, the waiting time is 500  $\mu\text{s}$ ; if CKi is 8.192 MHz, the waiting time is 1 ms; if CKi is 4.096 MHz, the waiting time is 2 ms.

## 18.3 Software Reset

In addition to the hardware reset from the  $\overline{\text{RESET}}$  pin, the device can also be reset by using software reset. There are two software reset bits in the Software Reset Register (SRR). SRSTDPLL (bit 0) is used to reset the DPLL while SRSTSW (bit 1) resets the rest of the switch.

## 19.0 Pseudo Random Bit Generation and Error Detection

The ZL50019 has one Bit Error Rate (BER) transmitter and one BER receiver for each pair of input and output streams, resulting in 32 transmitters connected to the output streams and 32 receivers associated with the input streams. Each transmitter can generate a BER sequence with a pattern of  $2^{15}-1$  pseudorandom code (ITU O.151). Each transmitter can start at any location on the stream and will last for a minimum of 1 channel to a maximum of 1 frame time (125  $\mu\text{s}$ ). The BER receivers and transmitters are enabled by programming the RBEREN (bit 5) and TBEREN (bit 4) in the IMS register. In order to save power, the 32 transmitters and/or receivers can be disabled. (This is the default state.)

Multiple connection memory locations can be programmed for BER tests such that the BER patterns can be transmitted for multiple consecutive output channels. If consecutive input channels are not selected, the BER receiver will not compare the bit patterns correctly. The number of output channels which the BER pattern occupies has to be the same as the number of channels defined in the BER Length Register (BRLR) which defines how many BER channels are to be monitored by the BER receiver.

For each input stream, there is a set of registers for the BER test. The registers are as follows:

- BER Receiver Control Register (**BRCR**) - ST[n]CBER (bit 1) is used to clear the Bit Receiver Error Register (BRER). ST[n]SBER (bit 0) is used to enable the per-stream BER receiver.
- BER Receiver Start Register (**BRSR**) - ST[n]BRS7 - 0 (bit 7 - 0) defines the input channel from which the BER sequence will start to be compared.
- BER Receiver Length Register (**BRLR**) - ST[n]BL8 - 0 (bit 8 - 0) define how many channels the sequence will last. Depending on the data rate being used, the BER test can last for a maximum of 32, 64, 128 or 256 channels at the data rates of 2.048, 4.096, 8.192 or 16.384 Mbps, respectively. The minimum length of the BER test is a single channel. The user must take care to program the correct channel length for the BER test so that the channel length does not exceed the total number of channels available in the stream.

- BER Receiver Error Register (**BRER**) - This read-only register contains the number of counted errors. When the error count reaches 0xFFFF, the BER counter will stop updating so that it will not overflow. ST[n]CBER (bit 1) in the BER Receiver Control Register is used to reset the BRER register.

For normal BER operation, CMM (bit 0) must be 1 in the Connection Memory Low (CM\_L). PCC1 - 0 (bits 2 - 1) in the Connection Memory Low must be programmed to "10" to enable the per-stream based BER transmitters. For each stream, the length (or total number of channels) of BER testing can be as long as one whole frame, but the channels **MUST** be consecutive. Upon completion of programming the connection memory, the corresponding BER receiver can be started by setting ST[n]SBER (bit 0) in the BRER to high. There must be at least 2 frames (250  $\mu$ s) between completion of connection memory programming and starting the BER receiver before the BER receiver can correctly identify BER errors. A 16 bit BER counter is used to count the number of bit errors.

## 20.0 PCM A-law/ $\mu$ -law Translation

The ZL50019 provides per-channel code translation to be used to adapt pulse code modulation (PCM) voice or data traffic between networks which use different encoding laws. Code translation is valid in both Connection Mode and Message Mode.

In order to use this feature, the Connection Memory High (CM\_H) entry for the output channel must be programmed.  $\bar{V}/D$  (bit 4) defines if the traffic in the channel is voice or data. Setting ICL1 - 0 (bits 3 - 2) programs the input coding law and OCL1 - 0 (bits 1 - 0) programs the output coding law as shown in Table 12.

The different code options are:

Input Coding (ICL1 - 0)	Output Coding (OCL1 - 0)	Voice Coding ( $\bar{V}/D$ bit = 0)	Data Coding ( $\bar{V}/D$ bit = 1)
00	00	ITU-T G.711 A-law	No code
01	01	ITU-T G.711 $\mu$ -law	Alternate Bit Inversion (ABI)
10	10	A-law without Alternate Bit Inversion (ABI)	Inverted Alternate Bit Inversion (ABI)
11	11	$\mu$ -law without Magnitude Inversion (MI)	All bits inverted

**Table 12 - Input and Output Voice and Data Coding**

For voice coding options, the ITU-T G.711 A-law and ITU-T G.711  $\mu$ -law are the standard rules for encoding. A-law without Alternate Bit Inversion (ABI) is an alternative code that does not invert the even bits (6, 4, 2, 0).  $\mu$ -law without Magnitude Inversion (MI) is an alternative code that does not perform inversion of magnitude bits (6, 5, 4, 3, 2, 1, 0).

When transferring data code, the option "no code" does not invert the bits. The Alternate Bit Inversion (ABI) option inverts the even bits (6, 4, 2, 0) while the Inverted Alternate Bit Inversion (ABI) inverts the odd bits (7, 5, 3, 1). When the "All bits inverted" option is selected, all of the bits (7, 6, 5, 4, 3, 2, 1, 0) are inverted.

The input channel and output channel encoding law are configured independently. If the output channel coding is set to be different from the input channel, the ZL50019 performs translation between the two standards. If the input and output encoding laws are set to the same standard, no translation occurs. As the  $\bar{V}/D$  (bit 4) of the Connection Memory High (CM\_H) must be set on a per-channel basis, it is not possible to translate between voice and data encoding laws.

## 21.0 Quadrant Frame Programming

By programming the Stream Input Quadrant Frame Registers (SIQFR0 - 31), users can divide one frame of input data into four quadrant frames and can force the LSB or MSB of every input channel in these quadrants to one or zero for robbed-bit signaling. The four quadrant frames are defined as follows:

Data Rate	Quadrant 0	Quadrant 1	Quadrant 2	Quadrant 3
2.048 Mbps	Channel 0 - 7	Channel 8 - 15	Channel 16 - 23	Channel 24 - 31
4.096 Mbps	Channel 0 - 15	Channel 16 - 31	Channel 32 - 47	Channel 48 - 63
8.192 Mbps	Channel 0 - 31	Channel 32 - 63	Channel 64 - 95	Channel 96 - 127
16.384 Mbps	Channel 0 - 63	Channel 64 - 127	Channel 128 - 191	Channel 192 - 255

**Table 13 - Definition of the Four Quadrant Frames**

When the quadrant frame control bits, STIN[n]Q3C2 - 0 (bit 11 - 9), STIN[n]Q2C2 - 0 (bit 8 - 6), STIN[n]Q1C2 - 0 (bit 5 - 3) or STIN[n]Q1C2 - 0 (bit 2 - 0), are set, the LSB or MSB of every input channel in the quadrant is forced to "1" or "0" as shown by the following table:

STIN[n]Q[y]C[2:0]	Action
0xx	Normal Operation
100	Replaces LSB of every channel in Quadrant y with '0'
101	Replaces LSB of every channel in Quadrant y with '1'
110	Replaces MSB of every channel in Quadrant y with '0'
111	Replaces MSB of every channel in Quadrant y with '1'
<b>Note:</b> y = 0, 1, 2, 3	

**Table 14 - Quadrant Frame Bit Replacement**

Note that Quadrant Frame Programming and BER reception cannot be used simultaneously on the same input stream.

## 22.0 JTAG Port

The JTAG test port is implemented to meet the mandatory requirements of the IEEE-1149.1 (JTAG) standard. The operation of the boundary-scan circuitry is controlled by an external Test Access Port (TAP) Controller.

### 22.1 Test Access Port (TAP)

The Test Access Port (TAP) accesses the ZL50019 test functions. It consists of three input pins and one output pin as follows:

- **Test Clock Input (TCK)** - TCK provides the clock for the test logic. TCK does not interfere with any on-chip clock and thus remains independent in the functional mode. TCK permits shifting of test data into or out of the Boundary-Scan register cells concurrently with the operation of the device and without interfering with the on-chip logic.
- **Test Mode Selection Inputs (TMS)** - The TAP Controller uses the logic signals received at the TMS input to control test operations. The TMS signals are sampled at the rising edge of the TCK pulse. This pin is internally pulled to high when it is not driven from an external source.

- **Test Data Input (TDi)** - Serial input data applied to this port is fed either into the instruction register or into a test data register, depending on the sequence previously applied to the TMS input. The registers are described in a subsequent section. The received input data is sampled at the rising edge of the TCK pulse. This pin is internally pulled to high when it is not driven from an external source.
- **Test Data Output (TDo)** - Depending on the sequence previously applied to the TMS input, the contents of either the instruction register or test data register are serially shifted out towards TDo. The data from TDo is clocked on the falling edge of the TCK pulses. When no data is shifted through the boundary scan cells, the TDo driver is set to a high impedance state.
- **Test Reset (TRST)** - Resets the JTAG scan structure. This pin is internally pulled to high when it is not driven from an external source.

## 22.2 Instruction Register

The ZL50019 uses the public instructions defined in the IEEE-1149.1 standard. The JTAG interface contains a four-bit instruction register. Instructions are serially loaded into the instruction register from the TDi when the TAP Controller is in its shifted-OR state. These instructions are subsequently decoded to achieve two basic functions: to select the test data register that may operate while the instruction is current and to define the serial test data register path that is used to shift data between TDi and TDo during data register scanning.

## 22.3 Test Data Registers

As specified in the IEEE-1149.1 standard, the ZL50019 JTAG interface contains three test data registers:

- **The Boundary-Scan Register** - The Boundary-Scan register consists of a series of boundary-scan cells arranged to form a scan path around the boundary of the ZL50019 core logic.
- **The Bypass Register** - The Bypass register is a single stage shift register that provides a one-bit path from TDi to TDo.
- **The Device Identification Register** - The JTAG device ID for the ZL50019 is 0C36314B<sub>H</sub>

Version	<31:28>	0000
Part Number	<27:12>	1100 0011 0110 0011
Manufacturer ID	<11:1>	0001 0100 101
LSB	<0>	1

## 22.4 BSDL

A Boundary Scan Description Language (BSDL) file is available from Zarlink Semiconductor to aid in the use of the IEEE-1149.1 test interface.

## 23.0 Register Address Mapping

Address A13 - A0	CPU Access	Register Name	Abbreviation	Reset By
0000 <sub>H</sub>	R/W	Control Register	CR	Switch/Hardware
0001 <sub>H</sub>	R/W	Internal Mode Selection Register	IMS	Switch/Hardware
0002 <sub>H</sub>	R/W	Software Reset Register	SRR	Hardware Only
0003 <sub>H</sub>	R/W	Output Clock and Frame Pulse Control Register	OCFCR	DPLL/Hardware
0004 <sub>H</sub>	R/W	Output Clock and Frame Pulse Selection Register	OCFSR	DPLL/Hardware
0005 <sub>H</sub>	R/W	FPo_OFF0 Register	FPOFF0	DPLL/Hardware
0006 <sub>H</sub>	R/W	FPo_OFF1 Register	FPOFF1	DPLL/Hardware
0007 <sub>H</sub>	R/W	FPo_OFF2 Register	FPOFF2	DPLL/Hardware
0010 <sub>H</sub>	R Only	Internal Flag Register	IFR	Switch/Hardware
0011 <sub>H</sub>	R Only	BER Error Flag Register 0	BERFR0	Switch/Hardware
0012 <sub>H</sub>	R Only	BER Error Flag Register 1	BERFR1	Switch/Hardware
0013 <sub>H</sub>	R Only	BER Receiver Lock Register 0	BERLR0	Switch/Hardware
0014 <sub>H</sub>	R Only	BER Receiver Lock Register 1	BERLR1	Switch/Hardware
0040 <sub>H</sub>	R/W	DPLL Control Register	DPLLCR	DPLL/Hardware
0041 <sub>H</sub>	R/W	Reference Frequency Register	RFR	DPLL/Hardware
0042 <sub>H</sub>	R/W	Centre Frequency Register - Lower 16 Bits	CFRL	DPLL/Hardware
0043 <sub>H</sub>	R/W	Centre Frequency Register - Upper 10 Bits	CFRU	DPLL/Hardware
0045 <sub>H</sub>	R Only	Frequency Offset Register	FOR	DPLL/Hardware
0047 <sub>H</sub>	R/W	Lock Detector Threshold Register	LDTR	DPLL/Hardware
0048 <sub>H</sub>	R/W	Lock Detector Interval Register	LDIR	DPLL/Hardware
0049 <sub>H</sub>	R/W	Slew Rate Limit Register	SRLR	DPLL/Hardware
004B <sub>H</sub>	R/W	Reference Change Control Register	RCCR	DPLL/Hardware
004C <sub>H</sub>	R Only	Reference Change Status Register	RCSR	DPLL/Hardware
0066 <sub>H</sub>	R Only	Interrupt Register	IR	DPLL/Hardware
0067 <sub>H</sub>	R/W	Interrupt Mask Register	IMR	DPLL/Hardware
0068 <sub>H</sub>	R/W	Interrupt Clear Register	ICR	DPLL/Hardware
0069 <sub>H</sub>	R Only	Reference Failure Status Register	RSR	DPLL/Hardware
006A <sub>H</sub>	R/W	Reference Mask Register	RMR	DPLL/Hardware
006B <sub>H</sub>	R Only	Reference Frequency Status Register	RFSR	DPLL/Hardware
006C <sub>H</sub>	R/W	Output Jitter Control Register	OJCR	DPLL/Hardware

**Table 15 - Address Map for Registers (A13 = 0)**

Address A13 - A0	CPU Access	Register Name	Abbreviation	Reset By
0100 <sub>H</sub> - 011F <sub>H</sub>	R/W	Stream Input Control Registers 0 - 31	SICR0 - 31	Switch/Hardware
0120 <sub>H</sub> - 013F <sub>H</sub>	R/W	Stream Input Quadrant Frame Registers 0 - 31	SIQFR0 - 31	Switch/Hardware
0200 <sub>H</sub> - 021F <sub>H</sub>	R/W	Stream Output Control Registers 0 - 31	SOCR0 - 31	Switch/Hardware
0300 <sub>H</sub> - 031F <sub>H</sub>	R/W	BER Receiver Start Registers 0 - 31	BRSR0 - 31	Switch/Hardware
0320 <sub>H</sub> - 033F <sub>H</sub>	R/W	BER Receiver Length Registers 0 - 31	BRLR0 - 31	Switch/Hardware
0340 <sub>H</sub> - 035F <sub>H</sub>	R/W	BER Receiver Control Registers 0 - 31	BRCR0 - 31	Switch/Hardware
0360 <sub>H</sub> - 037F <sub>H</sub>	R Only	BER Receiver Error Registers 0 - 31	BRER0 - 31	Switch/Hardware

**Table 15 - Address Map for Registers (A13 = 0) (continued)**

## 24.0 Detailed Register Description

External Read/Write Address: 0000 <sub>H</sub> Reset Value: 0000 <sub>H</sub>																														
15	14	13	12	11	10	9	8	7	6	5	4	3	2	1	0															
0	0	SLV_DPLLEN	OPM <sub>1</sub>	OPM <sub>0</sub>	CKI_LP	FPIN_POS	CKINP	FPINP	CKIN <sub>1</sub>	CKIN <sub>0</sub>	VAR_EN	MBPE	OSB	MS1	MS0															
Bit	Name	Description																												
15 - 14	Unused	<b>Reserved.</b> In normal functional mode, these bits <b>MUST</b> be set to zero.																												
13	SLV_DPLLEN	<b>DPLL Enable in Slave Mode (ignored in Master Mode).</b> When this bit is low, DPLL is disabled in Slave mode. When this bit is high and OSC_EN = 1, the DPLL is enabled in Slave mode. When SLV_DPLLEN is set in Slave mode, CKo[3:0] and FPo[3:0] are generated from CKi and FPi. CKo[5:4] and FPo[5] are locked to the selected input reference (one of REF[3:0]). In this mode of operation, the DPLL retains its functionality, including the generation of the REF_FAIL[3:0] output signals. See Table 7, “ZL50019 Operating Modes” on page 36 for more details.																												
12 - 11	OPM1 - 0	<b>Operation Mode.</b> These bits are used to set the device in Master/Slave operation. Refer to Table 7, “ZL50019 Operating Modes” on page 36 for more details.																												
10	CKi_LP	<b>CKi and FPi Loopback (Ignored in Slave mode)</b> When this bit is low, CKi and FPi are used as input pins. When this bit is high, CKi and FPi are internally looped back from CKo2 (16.384 MHz) and FPo2 respectively, and CKi pin and FPi pin should be tied low or high externally; CKIN1 - 0 (bits 6 - 5) of this register should be programmed to be 00. See Table 7, “ZL50019 Operating Modes” on page 36 for more details.																												
9	FPINPOS	<b>Input Frame Pulse (FPi) Position</b> When this bit is low, FPi straddles frame boundary (as defined by ST-BUS). When this bit is high, FPi starts from frame boundary (as defined by GCI-Bus)																												
8	CKINP	<b>Clock Input (CKi) Polarity</b> When this bit is low, the CKi falling edge aligns with the frame boundary. When this bit is high, the CKi rising edge aligns with the frame boundary.																												
7	FPINP	<b>Frame Pulse Input (FPi) Polarity</b> When this bit is low, the input frame pulse FPi has the negative frame pulse format. When this bit is high, the input frame pulse FPi has the positive frame pulse format.																												
6 - 5	CKIN1 - 0	<b>Input Clock (CKi) and Frame Pulse (FPi) Selection</b> <table border="1" data-bbox="555 1543 1295 1750"> <thead> <tr> <th>CKIN1 - 0</th><th>FPi Active Period</th><th>CKi</th></tr> </thead> <tbody> <tr> <td>00</td><td>61 ns</td><td>16.384 MHz</td></tr> <tr> <td>01</td><td>122 ns</td><td>8.192 MHz</td></tr> <tr> <td>10</td><td>244 ns</td><td>4.096 MHz</td></tr> <tr> <td>11</td><td colspan="2">Reserved</td></tr> </tbody> </table> <p>The MODE_4M0 and MODE_4M1 pins, as described in “Pin Description” on page 12, should also be set to define the input clock mode.</p>														CKIN1 - 0	FPi Active Period	CKi	00	61 ns	16.384 MHz	01	122 ns	8.192 MHz	10	244 ns	4.096 MHz	11	Reserved	
CKIN1 - 0	FPi Active Period	CKi																												
00	61 ns	16.384 MHz																												
01	122 ns	8.192 MHz																												
10	244 ns	4.096 MHz																												
11	Reserved																													

**Table 16 - Control Register (CR) Bits**



External Read/Write Address: 0000 <sub>H</sub> Reset Value: 0000 <sub>H</sub>																																																			
15	14	13	12	11	10	9	8	7	6	5	4	3	2	1	0																																				
0	0	SLV_DPLEN	OPM 1	OPM 0	CKI_LP	FPIN_POS	CKINP	FPINP	CKIN 1	CKIN 0	VAR_EN	MBPE	OSB	MS1	MS0																																				
Bit	Name	Description																																																	
4	VAREN	<b>Variable Delay Mode Enable</b> When this bit is low, the variable delay mode is disabled on a device-wide basis. When this bit is high, the variable delay mode is enabled on a device-wide basis.																																																	
3	MBPE	<b>Memory Block Programming Enable</b> When this bit is high, the connection memory block programming mode is enabled to program the connection memory. When it is low, the memory block programming mode is disabled.																																																	
2	OSB	<b>Output Stand By Bit:</b> This bit enables the STio0 - 31 and the STOHz0 -15 serial outputs. The following table describes the HiZ control of the serial data outputs:																																																	
		<table border="1"> <thead> <tr> <th>RESET Pin</th><th>SRSTSW (in SRR)</th><th>ODE Pin</th><th>OSB Bit</th><th>STio0 - 31</th><th>STOHz0 - 15</th> </tr> </thead> <tbody> <tr> <td>0</td><td>X</td><td>X</td><td>X</td><td>HiZ</td><td>Driven High</td> </tr> <tr> <td>1</td><td>1</td><td>X</td><td>X</td><td>HiZ</td><td>Driven High</td> </tr> <tr> <td>1</td><td>0</td><td>0</td><td>X</td><td>HiZ</td><td>Driven High</td> </tr> <tr> <td>1</td><td>0</td><td>1</td><td>0</td><td>HiZ</td><td>Driven High</td> </tr> <tr> <td>1</td><td>0</td><td>1</td><td>1</td><td>Active (Controlled by CM)</td><td>Active (Controlled by CM)</td> </tr> </tbody> </table>														RESET Pin	SRSTSW (in SRR)	ODE Pin	OSB Bit	STio0 - 31	STOHz0 - 15	0	X	X	X	HiZ	Driven High	1	1	X	X	HiZ	Driven High	1	0	0	X	HiZ	Driven High	1	0	1	0	HiZ	Driven High	1	0	1	1	Active (Controlled by CM)	Active (Controlled by CM)
RESET Pin	SRSTSW (in SRR)	ODE Pin	OSB Bit	STio0 - 31	STOHz0 - 15																																														
0	X	X	X	HiZ	Driven High																																														
1	1	X	X	HiZ	Driven High																																														
1	0	0	X	HiZ	Driven High																																														
1	0	1	0	HiZ	Driven High																																														
1	0	1	1	Active (Controlled by CM)	Active (Controlled by CM)																																														
		Note: Unused output streams are tristated (STio = HiZ, STOHz = Driven High). Refer to SOCR0 - 31 (bit 2 - 0).																																																	
1 - 0	MS1 - 0	<b>Memory Select Bits</b> These two bits are used to select connection memory low, connection high or data memory for access by CPU:																																																	
		<table border="1"> <thead> <tr> <th>MS1 - 0</th><th>Memory Selection</th> </tr> </thead> <tbody> <tr> <td>00</td><td>Connection Memory Low Read/Write</td> </tr> <tr> <td>01</td><td>Connection Memory High Read/Write</td> </tr> <tr> <td>10</td><td>Data Memory Read</td> </tr> <tr> <td>11</td><td>Reserved</td> </tr> </tbody> </table>														MS1 - 0	Memory Selection	00	Connection Memory Low Read/Write	01	Connection Memory High Read/Write	10	Data Memory Read	11	Reserved																										
MS1 - 0	Memory Selection																																																		
00	Connection Memory Low Read/Write																																																		
01	Connection Memory High Read/Write																																																		
10	Data Memory Read																																																		
11	Reserved																																																		

Table 16 - Control Register (CR) Bits (continued)

External Read/Write Address: 0001 <sub>H</sub> Reset Value: 0000 <sub>H</sub>															
15	14	13	12	11	10	9	8	7	6	5	4	3	2	1	0
0	0	0	0	0	0	0	STIO_PD_EN	BDH	BDL	RBER_EN	TBER_EN	BPD_2	BPD_1	BPD_0	MBPS
Bit	Name	Description													
15 - 9	Unused	<b>Reserved.</b> In normal functional mode, these bits <b>MUST</b> be set to zero.													
8	STIO_PD_EN	<b>STio Pull-down Enable</b> When this bit is low, the pull-down resistors on all STio pads will be disabled. When this bit is high, the pull-down resistors on all STio pads will be enabled.													
7	BDH	<b>Bi-directional Control for Streams 16-31</b> <table border="1" data-bbox="676 789 1139 1023"> <thead> <tr> <th>BDH</th><th>STio16 - 31 Operation</th></tr> </thead> <tbody> <tr> <td>0</td><td>normal operation: STi16-31 are inputs STio16-31 are outputs</td></tr> <tr> <td>1</td><td>bi-directional operation: STi16-31 tied low internally STio16-31 are bi-directional</td></tr> </tbody> </table>	BDH	STio16 - 31 Operation	0	normal operation: STi16-31 are inputs STio16-31 are outputs	1	bi-directional operation: STi16-31 tied low internally STio16-31 are bi-directional							
BDH	STio16 - 31 Operation														
0	normal operation: STi16-31 are inputs STio16-31 are outputs														
1	bi-directional operation: STi16-31 tied low internally STio16-31 are bi-directional														
6	BDL	<b>Bi-directional Control for Streams 0-15</b> <table border="1" data-bbox="676 1112 1139 1346"> <thead> <tr> <th>BDL</th><th>STio0 - 15 Operation</th></tr> </thead> <tbody> <tr> <td>0</td><td>normal operation: STi0-15 are inputs STio0-15 are outputs</td></tr> <tr> <td>1</td><td>bi-directional operation: STi0-15 tied low internally STio0-15 are bi-directional</td></tr> </tbody> </table>	BDL	STio0 - 15 Operation	0	normal operation: STi0-15 are inputs STio0-15 are outputs	1	bi-directional operation: STi0-15 tied low internally STio0-15 are bi-directional							
BDL	STio0 - 15 Operation														
0	normal operation: STi0-15 are inputs STio0-15 are outputs														
1	bi-directional operation: STi0-15 tied low internally STio0-15 are bi-directional														
5	RBEREN	<b>PRBS Receiver Enable</b> When this bit is low, all the BER receivers are disabled. To enable any BER receivers, this bit <b>MUST</b> be high.													
4	TBEREN	<b>PRBS Transmitter Enable</b> When this bit is low, all the BER transmitters are disabled. To enable any BER transmitters, this bit <b>MUST</b> be high.													
3 - 1	BPD2 - 0	<b>Block Programming Data</b> These bits refer to the value to be loaded into the connection memory, whenever the memory block programming feature is activated. After the MBPE bit in the Control Register is set to high and the MBPS bit in this register is set to high, the contents of the bits BPD2 - 0 are loaded into bits 2 - 0 of the Connection Memory Low. Bits 15 - 3 of the Connection Memory Low and bits 15 - 0 of Connection Memory High are zeroed.													

Table 17 - Internal Mode Selection Register (IMS) Bits

External Read/Write Address: 0001<sub>H</sub>  
 Reset Value: 0000<sub>H</sub>

15	14	13	12	11	10	9	8	7	6	5	4	3	2	1	0
0	0	0	0	0	0	0	STIO_ PD_EN	BDH	BDL	RBER EN	TBER EN	BPD 2	BPD 1	BPD 0	MBPS

Bit	Name	Description
0	MBPS	<p><b>Memory Block Programming Start:</b>                      A zero to one transition of this bit starts the memory block programming function. The MBPS and BPD2 - 0 bits in this register must be defined in the same write operation. Once the MBPE bit in the Control Register is set to high, the device requires two frames to complete the block programming. After the programming function has finished, the MBPS bit returns to low, indicating the operation is completed. When MBPS is high, MBPS or MBPE can be set to low to abort the programming operation. Whenever the microprocessor writes a one to the MBPS bit, the block programming function is started. As long as this bit is high, the user must maintain the same logical value to the other bits in this register to avoid any change in the device setting.</p>

**Table 17 - Internal Mode Selection Register (IMS) Bits (continued)**

External Read/Write Address: 0002<sub>H</sub>  
 Reset Value: 0000<sub>H</sub>

15	14	13	12	11	10	9	8	7	6	5	4	3	2	1	0
0	0	0	0	0	0	0	0	0	0	0	0	0	0	SRST SW	SRST DPLL

Bit	Name	Description
15 - 2	Unused	<p><b>Reserved</b>                      In normal functional mode, these bits <b>MUST</b> be set to zero.</p>
1	SRSTSW	<p><b>Software Reset Bit for Switch</b>                      When this bit is low, switching blocks are in normal operation. When this bit is high, switching blocks are in software reset state. Refer to Table 15, "Address Map for Registers (A13 = 0)" on page 46 for details regarding which registers are affected.</p>
0	SRSTDPLL	<p><b>Software Reset Bit for DPLL</b>                      When this bit is low, the DPLL block is in normal operation. When this bit is high, the DPLL block is in software reset state. Refer to Table 15, "Address Map for Registers (A13 = 0)" on page 46 for details regarding which registers are affected.</p>

**Table 18 - Software Reset Register (SRR) Bits**

External Read/Write Address: 0003 <sub>H</sub> Reset Value: 0000 <sub>H</sub>															
15	14	13	12	11	10	9	8	7	6	5	4	3	2	1	0
0	0	0	0	0	0	0	FPOF2 EN	FPOF1 EN	FPOF0 EN	CKO5 EN	CKO4 EN	CKO FPO3 EN	CKO FPO2 EN	CKO FPO1 EN	CKO FPO0 EN
Bit	Name	Description													
15 - 9	Unused	<b>Reserved</b> In normal functional mode, these bits <b>MUST</b> be set to zero.													
8	FPOF2EN	<b>FPo_OFF2/FPo5 Enable</b> When this bit is high, output frame pulse FPo_OFF2/FPo5 is enabled. When this bit is low, output frame pulse FPo_OFF2/FPo5 is in high impedance state.													
7	FPOF1EN	<b>FPo_OFF1 Enable</b> When this bit is high, output frame pulse FPo_OFF1 is enabled. When this bit is low, output frame pulse FPo_OFF1 is in high impedance state.													
6	FPOF0EN	<b>FPo_OFF0 Enable</b> When this bit is high, output frame pulse FPo_OFF0 is enabled. When this bit is low, output frame pulse FPo_OFF0 is in high impedance state.													
5	CKO5EN	<b>CKo5 Enable</b> When this bit is high, output clock CKo5 is enabled. When this bit is low, output clock CKo5 is in high impedance state. CKo5 is available in Master mode or in Slave mode with SLV_DPLLEN set.													
4	CKO4EN	<b>CKo4 Enable</b> When this bit is high, output clock CKo4 is enabled. When this bit is low, output clock CKo4 is in high impedance state. CKo4 is available in Master mode or in Slave mode with SLV_DPLLEN set.													
3	CKOFPO3 EN	<b>CKo3 and FPo3 Enable</b> When this bit is high, output clock CKo3 and output frame pulse FPo3 are enabled. When this bit is low, CKo3 and FPo3 are in high impedance state.													
2	CKOFPO2 EN	<b>CKo2 and FPo2 Enable</b> When this bit is high, output clock CKo2 and output frame pulse FPo2 are enabled. When this bit is low, CKo2 and FPo2 are in high impedance state.													
1	CKOFPO1 EN	<b>CKo1 and FPo1 Enable</b> When this bit is high, output clock CKo1 and output frame pulse FPo1 are enabled. When this bit is low, CKo1 and FPo1 are in high impedance state.													
0	CKOFPO0 EN	<b>CKo0 and FPo0 Enable</b> When this bit is high, output clock CKo0 and output frame pulse FPo0 are enabled. When this bit is low, CKo0 and FPo0 are in high impedance state.													

Table 19 - Output Clock and Frame Pulse Control Register (OCFCR) Bits

External Read/Write Address: 0004 <sub>H</sub> Reset Value: 0000 <sub>H</sub>																														
15	14	13	12	11	10	9	8	7	6	5	4	3	2	1	0															
CKO4 P	CKO4 SEL	CKO FPO3 SEL1	CKO FPO3 SEL0	CKO3 P	FPO3 P	FPO3 POS	CKO2 P	FPO2 P	FPO2 POS	CKO1 P	FPO1 P	FPO1 POS	CKO0 P	FPO0 P	FPO0 POS															
Bit	Name	Description																												
15	CKO4P	<b>Output Clock (CKo4) Polarity Selection</b> When this bit is low, the output clock CKo4 falling edge aligns with the frame boundary. When this bit is high, the output clock CKo4 rising edge aligns with the frame boundary. CKo4 is available in Master mode or in Slave mode with SLV_DPLEN set.																												
14	CKO4SEL	<b>Output Clock (CKo4) Frequency Selection</b> When this bit is low, the output clock CKo4 is 2.048 MHz. When this bit is high, the output clock CKo4 is 1.544 MHz. CKo4 is available in Master mode or in Slave mode with SLV_DPLEN set.																												
13 - 12	CKOFPO3 SEL1 - 0	<b>Output Clock (CKo3) Frequency and Output Frame Pulse (FPo3) Pulse Cycle Selection</b>																												
		<table border="1"> <thead> <tr> <th>CKOFPO3 SEL1 - 0</th><th>FPo3</th><th>CKo3</th></tr> </thead> <tbody> <tr> <td>00</td><td>244 ns</td><td>4.096 MHz</td></tr> <tr> <td>01</td><td>122 ns</td><td>8.192 MHz</td></tr> <tr> <td>10</td><td>61 ns</td><td>16.384 MHz</td></tr> <tr> <td>11</td><td>30 ns</td><td>32.768 MHz</td></tr> </tbody> </table>			CKOFPO3 SEL1 - 0	FPo3	CKo3	00	244 ns	4.096 MHz	01	122 ns	8.192 MHz	10	61 ns	16.384 MHz	11	30 ns	32.768 MHz											
CKOFPO3 SEL1 - 0	FPo3	CKo3																												
00	244 ns	4.096 MHz																												
01	122 ns	8.192 MHz																												
10	61 ns	16.384 MHz																												
11	30 ns	32.768 MHz																												
11	CKO3P	<b>Output Clock (CKo3) Polarity Selection</b> When this bit is low, the output clock CKo3 falling edge aligns with the frame boundary. When this bit is high, the output clock CKo3 rising edge aligns with the frame boundary.																												
10	FPO3P	<b>Output Frame Pulse (FPo3) Polarity Selection</b> When this bit is low, the output frame pulse FPo3 has the negative frame pulse format. When this bit is high, the output frame pulse FPo3 has the positive frame pulse format.																												
9	FPO3POS	<b>Output Frame Pulse (FPo3) Position</b> When this bit is low, FPo3 straddles frame boundary (as defined by ST-BUS). When this bit is high, FPo3 starts from frame boundary (as defined by GCI-Bus).																												
8	CKO2P	<b>Output Clock (CKo2) Polarity Selection</b> When this bit is low, the output clock CKo2 falling edge aligns with the frame boundary. When this bit is high, the output clock CKo2 rising edge aligns with the frame boundary.																												
7	FPO2P	<b>Output Frame Pulse (FPo2) Polarity Selection</b> When this bit is low, the output frame pulse FPo2 has the negative frame pulse format. When this bit is high, the output frame pulse FPo2 has the positive frame pulse format.																												

Table 20 - Output Clock and Frame Pulse Selection Register (OCFSR) Bits

External Read/Write Address: 0004 <sub>H</sub> Reset Value: 0000 <sub>H</sub>															
15	14	13	12	11	10	9	8	7	6	5	4	3	2	1	0
CKO4 P	CKO4 SEL	CKO FPO3 SEL1	CKO FPO3 SEL0	CKO3 P	FPO3 P	FPO3 POS	CKO2 P	FPO2 P	FPO2 POS	CKO1 P	FPO1 P	FPO1 POS	CKO0 P	FPO0 P	FPO0 POS
Bit	Name	Description													
6	FPO2POS	<b>Output Frame Pulse (FPo2) Position</b> When this bit is low, FPo2 straddles frame boundary (as defined by ST-BUS). When this bit is high, FPo2 starts from frame boundary (as defined by GCI-Bus).													
5	CKO1P	<b>Output Clock (CKo1) Polarity Selection</b> When this bit is low, the output clock CKo1 falling edge aligns with the frame boundary. When this bit is high, the output clock CKo1 rising edge aligns with the frame boundary.													
4	FPO1P	<b>Output Frame Pulse (FPo1) Polarity Selection</b> When this bit is low, the output frame pulse FPo1 has the negative frame pulse format. When this bit is high, the output frame pulse FPo1 has the positive frame pulse format.													
3	FPO1POS	<b>Output Frame Pulse (FPo1) Position</b> When this bit is low, FPo1 straddles frame boundary (as defined by ST-BUS). When this bit is high, FPo1 starts from frame boundary (as defined by GCI-Bus).													
2	CKO0P	<b>Output Clock (CKo0) Polarity Selection</b> When this bit is low, the output clock CKo0 falling edge aligns with the frame boundary. When this bit is high, the output clock CKo0 rising edge aligns with the frame boundary.													
1	FPO0P	<b>Output Frame Pulse (FPo0) Polarity Selection</b> When this bit is low, the output frame pulse FPo0 has the negative frame pulse format. When this bit is high, the output frame pulse FPo0 has the positive frame pulse format.													
0	FPO0POS	<b>Output Frame Pulse (FPo0) Position</b> When this bit is low, FPo0 straddles frame boundary (as defined by ST-BUS). When this bit is high, FPo0 starts from frame boundary (as defined by GCI-Bus).													
Note: In Divided Slave modes, CKo3 - 1 cannot exceed frequency of CKi. Note: CKo[5:4] are available in Master mode or in Slave mode with SLV_DPLEN set.															

**Table 20 - Output Clock and Frame Pulse Selection Register (OCFSR) Bits (continued)**

External Read/Write Address: 0005 <sub>H</sub> - 0007 <sub>H</sub> Reset Value: 0000 <sub>H</sub>															
15	14	13	12	11	10	9	8	7	6	5	4	3	2	1	0
0	0	0	0	0	FP19 EN	FOF[n] OFF7	FOF[n] OFF6	FOF[n] OFF5	FOF[n] OFF4	FOF[n] OFF3	FOF[n] OFF2	FOF[n] OFF1	FOF[n] OFF0	FOF[n] C1	FOF[n] C0
Bit	Name	Description													
15 - 11	Unused	<b>Reserved.</b> In normal functional mode, these bits <b>MUST</b> be set to zero.													
10	FP19EN	<b>19.44 MHz Frame Pulse Output Enable. (For FPo_OFF2 only)</b> <b>This bit is a reserved bit for FPo_OFF0 and FPo_OFF1, and MUST be set to zero.</b> When this bit is high, FPo_OFF2 is negative frame pulse output corresponding to 19.44 MHz without channel offset. When this bit is low, FPo_OFF2 is output frame pulse with channel offset.													
9 - 2	FOF[n]OFF7 - 0	<b>FPo_OFF[n] Channel Offset</b> The binary value of these bits refers to the channel offset from original frame boundary. Permitted channel offset values depend on bits 1-0 of this register.													
1 - 0	FOF[n]C1 - 0	<b>FPo_OFF[n] Control bits</b>													
		FOF[n]C1-0	Data Rate (Mbps)	FPo_OFF[n] Pulse Cycle Width	FOF[n]OFF7 - 0 Permitted Channel Offset	Polarity Control	Position Control								
		00	2.048	one 4.096 MHz clock	0 - 31	FPO0P	FPO0POS								
		01	4.096	one 8.192 MHz clock	0 - 63	FPO1P	FPO1POS								
		10	8.192	one 16.384 MHz clock	0 - 127	FPO2P	FPO2POS								
		11	16.384	one 16.384 MHz clock	0 - 255	FPO2P	FPO2POS								
Note: [n] denotes output offset frame pulse from 0 to 2.															

Table 21 - FPo\_OFF[n] Register (FPo\_OFF[n]) Bits

External Read Address: 0010 <sub>H</sub> Reset Value: 0000 <sub>H</sub>																															
15    14    13    12    11    10    9    8    7    6    5    4    3    2    1    0																															
<table border="1" style="width: 100%; border-collapse: collapse;"> <tr> <td style="width: 20px; text-align: center;">0</td> <td style="width: 20px; text-align: center;">0</td> <td style="width: 20px; text-align: center;">0</td> <td style="width: 20px; text-align: center;">0</td> <td style="width: 20px; text-align: center;">0</td> <td style="width: 20px; text-align: center;">0</td> <td style="width: 20px; text-align: center;">0</td> <td style="width: 20px; text-align: center;">0</td> <td style="width: 20px; text-align: center;">0</td> <td style="width: 20px; text-align: center;">0</td> <td style="width: 20px; text-align: center;">0</td> <td style="width: 20px; text-align: center;">0</td> <td style="width: 20px; text-align: center;">0</td> <td style="width: 20px; text-align: center;">0</td> <td style="width: 20px; text-align: center;">0</td> <td style="width: 20px; text-align: center;">0</td> </tr> </table>														0	0	0	0	0	0	0	0	0	0	0	0	0	0	0	0	OUT ERR	IN ERR
0	0	0	0	0	0	0	0	0	0	0	0	0	0	0	0																
Bit	Name	Description																													
15 - 2	Unused	<b>Reserved</b> In normal functional mode, these bits are zero.																													
1	OUTERR	<b>Output Error (Read Only)</b> This bit is set high when the total number of output channels is programmed to be more than the maximum capacity of 2048, in which case the output channels beyond the maximum capacity should be disabled. This bit will be cleared automatically after programming is corrected.																													
0	INERR	<b>Input Error (Read Only)</b> This bit is set high when the total number of input channels is programmed to be more than the maximum capacity of 2048, in which case the input channels beyond the maximum capacity should be disabled. This bit will be cleared automatically after programming is corrected.																													

**Table 22 - Internal Flag Register (IFR) Bits - Read Only**

External Read Address: 00011 <sub>H</sub> Reset Value: 0000 <sub>H</sub>																															
15    14    13    12    11    10    9    8    7    6    5    4    3    2    1    0																															
<table border="1" style="width: 100%; border-collapse: collapse;"> <tr> <td style="width: 20px; text-align: center;">BER F15</td> <td style="width: 20px; text-align: center;">BER F14</td> <td style="width: 20px; text-align: center;">BER F13</td> <td style="width: 20px; text-align: center;">BER F12</td> <td style="width: 20px; text-align: center;">BER F11</td> <td style="width: 20px; text-align: center;">BER F10</td> <td style="width: 20px; text-align: center;">BER F9</td> <td style="width: 20px; text-align: center;">BER F8</td> <td style="width: 20px; text-align: center;">BER F7</td> <td style="width: 20px; text-align: center;">BER F6</td> <td style="width: 20px; text-align: center;">BER F5</td> <td style="width: 20px; text-align: center;">BER F4</td> <td style="width: 20px; text-align: center;">BER F3</td> <td style="width: 20px; text-align: center;">BER F2</td> <td style="width: 20px; text-align: center;">BER F1</td> <td style="width: 20px; text-align: center;">BER F0</td> </tr> </table>																BER F15	BER F14	BER F13	BER F12	BER F11	BER F10	BER F9	BER F8	BER F7	BER F6	BER F5	BER F4	BER F3	BER F2	BER F1	BER F0
BER F15	BER F14	BER F13	BER F12	BER F11	BER F10	BER F9	BER F8	BER F7	BER F6	BER F5	BER F4	BER F3	BER F2	BER F1	BER F0																
Bit	Name	Description																													
15 - 0	BERF[n]	<b>BER Error Flag[n]:</b> If BERF[n] is high, it indicates that BER Receiver Error Register [n] (BRER[n]) is not zero. If BERF[n] is low, it indicates that BER Receiver Error Register [n] (BRER[n]) is zero.																													
Note: [n] denotes input stream from 0 - 15.																															

**Table 23 - BER Error Flag Register 0 (BERFR0) Bits - Read Only**



External Read/Write Address: 00012<sub>H</sub>  
 Reset Value: 0000<sub>H</sub>

15	14	13	12	11	10	9	8	7	6	5	4	3	2	1	0
BER F31	BER F30	BER F29	BER F28	BER F27	BER F26	BER F25	BER F24	BER F23	BER F22	BER F21	BER F20	BER F19	BER F18	BER F17	BER F16

Bit	Name	Description
15 - 0	BERF[n]	<b>BER Error Flag[n]:</b> If BERF[n] is high, it indicates that BER Receiver Error Register [n] (BRER[n]) is not zero. If BERF[n] is low, it indicates that BER Receiver Error Register [n] (BRER[n]) is zero.

Note: [n] denotes input stream from 16 - 31.

**Table 24 - BER Error Flag Register 1 (BERFR1) Bits - Read Only**

External Read Address: 00013<sub>H</sub>  
 Reset Value: 0000<sub>H</sub>

15	14	13	12	11	10	9	8	7	6	5	4	3	2	1	0
BER L15	BER L14	BER L13	BER L12	BER L11	BER L10	BER L9	BER L8	BER L7	BER L6	BER L5	BER L4	BER L3	BER L2	BER L1	BER L0

Bit	Name	Description
15 - 0	BERL[n]	<b>BER Receiver Lock[n]</b> If BERL[n] is high, it indicates that BER Receiver of STi[n] is locked. If BERL[n] is low, it indicates that BER Receiver of STi[n] is not locked.

Note: [n] denotes input stream from 0 - 15.

**Table 25 - BER Receiver Lock Register 0 (BERLR0) Bits - Read Only**

External Read Address: 00014 <sub>H</sub> Reset Value: 0000 <sub>H</sub>															
15	14	13	12	11	10	9	8	7	6	5	4	3	2	1	0
BER L31	BER L30	BER L29	BER L28	BER L27	BER L26	BER L25	BER L24	BER L23	BER L22	BER L21	BER L20	BER L19	BER L18	BER L17	BER L16
Bit	Name	Description													
15 - 0	BERL[n]	<b>BER Receiver Lock[n]:</b> If BERL[n] is high, it indicates that BER Receiver of STi[n] is locked. If BERL[n] is low, it indicates that BER Receiver of STi[n] is not locked.													
Note: [n] denotes input stream from 16 - 31.															

Table 26 - BER Receiver Lock Register 1 (BERLR1) Bits - Read Only

External Read/Write Address: 0040 <sub>H</sub> Reset Value: 0000 <sub>H</sub>															
15	14	13	12	11	10	9	8	7	6	5	4	3	2	1	0
0	0	0	0	0	0	0	0	0	0	ST4_LIM	0	0	0	RFRE	DPLL_IRM
Bit	Name	Description													
15-6	Unused	<b>Reserved</b> In normal functional mode, these bits <b>MUST</b> be set to zero.													
5	ST4_LIM	<b>Stratum 4E Limits Select Bit</b> When this bit is high, the stratum 4E limits are used for reference monitoring (i.e., +/-64.713 ppm and +/-82.487 ppm over 10 seconds). When this bit is low, more relaxed Relaxed Stratum 4E limits are used for reference monitoring (i.e., +/-240 ppm and +/-250 ppm over 10 seconds). This is used in applications where a low quality clock (+/-100 ppm) is used as a reference.													
4-2	Unused	<b>Reserved</b> In normal functional mode, these bits <b>MUST</b> be set to zero.													
1	RFRE	<b>Reference Frequency Register Enable</b> When this bit is low, the reference frequency value used in the DPLL comes from appropriate reference frequency detector. When this bit is high, the reference frequency value comes from Reference Frequency Register (RFR).													
0	DPLL_IRM	<b>DPLL Internal Reset Mode</b> When this bit is low, the DPLL module is in the operational state. When this bit is high, the DPLL module is in the power saving mode. Registers are not reset and are still accessible in the power saving mode.													

Table 27 - DPLL Control Register (DPLLCR) Bits

External Read/Write Address: 0041 <sub>H</sub> Reset Value: 0000 <sub>H</sub>																																																			
15	14	13	12	11	10	9	8	7	6	5	4	3	2	1	0																																				
0	0	0	0	R3F2	R3F1	R3F0	R2F2	R2F1	R2F0	R1F2	R1F1	R1F0	R0F2	R0F1	R0F0																																				
Bit	Name	Description																																																	
15-12	Unused	<b>Reserved</b> In normal functional mode, these bits <b>MUST</b> be set to zero.																																																	
11 - 9	R3F2 - 0	<b>Reference 3 Frequency Bits</b> When the RFRE bit of the DPLLCR register is high, these bits are used to select the REF3 input frequency. When the RFRE bit is low, these bits are ignored. <table border="1" data-bbox="603 706 1257 1069"> <thead> <tr> <th>R3F2</th><th>R3F1</th><th>R3F0</th><th>REF 3 Input Frequency</th></tr> </thead> <tbody> <tr><td>0</td><td>0</td><td>0</td><td>8 kHz</td></tr> <tr><td>0</td><td>0</td><td>1</td><td>1.544 MHz</td></tr> <tr><td>0</td><td>1</td><td>0</td><td>2.048 MHz</td></tr> <tr><td>0</td><td>1</td><td>1</td><td>4.096 MHz</td></tr> <tr><td>1</td><td>0</td><td>0</td><td>8.192 MHz</td></tr> <tr><td>1</td><td>0</td><td>1</td><td>16.384 MHz</td></tr> <tr><td>1</td><td>1</td><td>0</td><td>19.44 MHz</td></tr> <tr><td>1</td><td>1</td><td>1</td><td>Reserved</td></tr> </tbody> </table>														R3F2	R3F1	R3F0	REF 3 Input Frequency	0	0	0	8 kHz	0	0	1	1.544 MHz	0	1	0	2.048 MHz	0	1	1	4.096 MHz	1	0	0	8.192 MHz	1	0	1	16.384 MHz	1	1	0	19.44 MHz	1	1	1	Reserved
R3F2	R3F1	R3F0	REF 3 Input Frequency																																																
0	0	0	8 kHz																																																
0	0	1	1.544 MHz																																																
0	1	0	2.048 MHz																																																
0	1	1	4.096 MHz																																																
1	0	0	8.192 MHz																																																
1	0	1	16.384 MHz																																																
1	1	0	19.44 MHz																																																
1	1	1	Reserved																																																
8 - 6	R2F2 - 0	<b>Reference 2 Frequency Bits:</b> When the RFRE bit of the DPLLCR register is high, these bits are used to select the REF2 input frequency. When the RFRE bit is low, these bits are ignored. <table border="1" data-bbox="603 1228 1257 1591"> <thead> <tr> <th>R2F2</th><th>R2F1</th><th>R2F0</th><th>REF 2 Input Frequency</th></tr> </thead> <tbody> <tr><td>0</td><td>0</td><td>0</td><td>8 kHz</td></tr> <tr><td>0</td><td>0</td><td>1</td><td>1.544 MHz</td></tr> <tr><td>0</td><td>1</td><td>0</td><td>2.048 MHz</td></tr> <tr><td>0</td><td>1</td><td>1</td><td>4.096 MHz</td></tr> <tr><td>1</td><td>0</td><td>0</td><td>8.192 MHz</td></tr> <tr><td>1</td><td>0</td><td>1</td><td>16.384 MHz</td></tr> <tr><td>1</td><td>1</td><td>0</td><td>19.44 MHz</td></tr> <tr><td>1</td><td>1</td><td>1</td><td>Reserved</td></tr> </tbody> </table>														R2F2	R2F1	R2F0	REF 2 Input Frequency	0	0	0	8 kHz	0	0	1	1.544 MHz	0	1	0	2.048 MHz	0	1	1	4.096 MHz	1	0	0	8.192 MHz	1	0	1	16.384 MHz	1	1	0	19.44 MHz	1	1	1	Reserved
R2F2	R2F1	R2F0	REF 2 Input Frequency																																																
0	0	0	8 kHz																																																
0	0	1	1.544 MHz																																																
0	1	0	2.048 MHz																																																
0	1	1	4.096 MHz																																																
1	0	0	8.192 MHz																																																
1	0	1	16.384 MHz																																																
1	1	0	19.44 MHz																																																
1	1	1	Reserved																																																

Table 28 - Reference Frequency Register (RFR) Bits

External Read/Write Address: 0041 <sub>H</sub> Reset Value: 0000 <sub>H</sub>																																																			
15	14	13	12	11	10	9	8	7	6	5	4	3	2	1	0																																				
0	0	0	0	R3F2	R3F1	R3F0	R2F2	R2F1	R2F0	R1F2	R1F1	R1F0	R0F2	R0F1	R0F0																																				
<b>Bit</b>	<b>Name</b>	<b>Description</b>																																																	
5 - 3	R1F2 - 0	<p><b>Reference 1 Frequency Bits</b>                      When the RFRE bit of the DPLLCR register is high, these bits are used to select the REF1 input frequency. When the RFRE bit is low, these bits are ignored.</p> <table border="1" style="margin-left: auto; margin-right: auto; border-collapse: collapse;"> <thead> <tr> <th style="text-align: center;">R1F2</th> <th style="text-align: center;">R1F1</th> <th style="text-align: center;">R1F0</th> <th style="text-align: center;">REF 1 Input Frequency</th> </tr> </thead> <tbody> <tr> <td style="text-align: center;">0</td> <td style="text-align: center;">0</td> <td style="text-align: center;">0</td> <td style="text-align: center;">8 kHz</td> </tr> <tr> <td style="text-align: center;">0</td> <td style="text-align: center;">0</td> <td style="text-align: center;">1</td> <td style="text-align: center;">1.544 MHz</td> </tr> <tr> <td style="text-align: center;">0</td> <td style="text-align: center;">1</td> <td style="text-align: center;">0</td> <td style="text-align: center;">2.048 MHz</td> </tr> <tr> <td style="text-align: center;">0</td> <td style="text-align: center;">1</td> <td style="text-align: center;">1</td> <td style="text-align: center;">4.096 MHz</td> </tr> <tr> <td style="text-align: center;">1</td> <td style="text-align: center;">0</td> <td style="text-align: center;">0</td> <td style="text-align: center;">8.192 MHz</td> </tr> <tr> <td style="text-align: center;">1</td> <td style="text-align: center;">0</td> <td style="text-align: center;">1</td> <td style="text-align: center;">16.384 MHz</td> </tr> <tr> <td style="text-align: center;">1</td> <td style="text-align: center;">1</td> <td style="text-align: center;">0</td> <td style="text-align: center;">19.44 MHz</td> </tr> <tr> <td style="text-align: center;">1</td> <td style="text-align: center;">1</td> <td style="text-align: center;">1</td> <td style="text-align: center;">Reserved</td> </tr> </tbody> </table>														R1F2	R1F1	R1F0	REF 1 Input Frequency	0	0	0	8 kHz	0	0	1	1.544 MHz	0	1	0	2.048 MHz	0	1	1	4.096 MHz	1	0	0	8.192 MHz	1	0	1	16.384 MHz	1	1	0	19.44 MHz	1	1	1	Reserved
R1F2	R1F1	R1F0	REF 1 Input Frequency																																																
0	0	0	8 kHz																																																
0	0	1	1.544 MHz																																																
0	1	0	2.048 MHz																																																
0	1	1	4.096 MHz																																																
1	0	0	8.192 MHz																																																
1	0	1	16.384 MHz																																																
1	1	0	19.44 MHz																																																
1	1	1	Reserved																																																
2 - 0	R0F2 - 0	<p><b>Reference 0 Frequency Bits</b>                      When the RFRE bit of the DPLLCR register is high, these bits are used to select the REF0 input frequency. When the RFRE bit is low, these bits are ignored.</p> <table border="1" style="margin-left: auto; margin-right: auto; border-collapse: collapse;"> <thead> <tr> <th style="text-align: center;">R0F2</th> <th style="text-align: center;">R0F1</th> <th style="text-align: center;">R0F0</th> <th style="text-align: center;">REF 0 Input Frequency</th> </tr> </thead> <tbody> <tr> <td style="text-align: center;">0</td> <td style="text-align: center;">0</td> <td style="text-align: center;">0</td> <td style="text-align: center;">8 kHz</td> </tr> <tr> <td style="text-align: center;">0</td> <td style="text-align: center;">0</td> <td style="text-align: center;">1</td> <td style="text-align: center;">1.544 MHz</td> </tr> <tr> <td style="text-align: center;">0</td> <td style="text-align: center;">1</td> <td style="text-align: center;">0</td> <td style="text-align: center;">2.048 MHz</td> </tr> <tr> <td style="text-align: center;">0</td> <td style="text-align: center;">1</td> <td style="text-align: center;">1</td> <td style="text-align: center;">4.096 MHz</td> </tr> <tr> <td style="text-align: center;">1</td> <td style="text-align: center;">0</td> <td style="text-align: center;">0</td> <td style="text-align: center;">8.192 MHz</td> </tr> <tr> <td style="text-align: center;">1</td> <td style="text-align: center;">0</td> <td style="text-align: center;">1</td> <td style="text-align: center;">16.384 MHz</td> </tr> <tr> <td style="text-align: center;">1</td> <td style="text-align: center;">1</td> <td style="text-align: center;">0</td> <td style="text-align: center;">19.44 MHz</td> </tr> <tr> <td style="text-align: center;">1</td> <td style="text-align: center;">1</td> <td style="text-align: center;">1</td> <td style="text-align: center;">Reserved</td> </tr> </tbody> </table>														R0F2	R0F1	R0F0	REF 0 Input Frequency	0	0	0	8 kHz	0	0	1	1.544 MHz	0	1	0	2.048 MHz	0	1	1	4.096 MHz	1	0	0	8.192 MHz	1	0	1	16.384 MHz	1	1	0	19.44 MHz	1	1	1	Reserved
R0F2	R0F1	R0F0	REF 0 Input Frequency																																																
0	0	0	8 kHz																																																
0	0	1	1.544 MHz																																																
0	1	0	2.048 MHz																																																
0	1	1	4.096 MHz																																																
1	0	0	8.192 MHz																																																
1	0	1	16.384 MHz																																																
1	1	0	19.44 MHz																																																
1	1	1	Reserved																																																

**Table 28 - Reference Frequency Register (RFR) Bits (continued)**

External Read/Write Address: 0042<sub>H</sub>  
Reset Value: 16B1<sub>H</sub>

15	14	13	12	11	10	9	8	7	6	5	4	3	2	1	0
CFN 15	CFN 14	CFN 13	CFN 12	CFN 11	CFN 10	CFN 9	CFN 8	CFN 7	CFN 6	CFN 5	CFN 4	CFN 3	CFN 2	CFN 1	CFN 0

Bit	Name	Description
15 - 0	CFN15 - 0	<p><b>Center Frequency Number (CFN) Lower 16 Bits:</b> The total binary value of these bits and the CFRU register bits defines the output center frequency number according to the following formula:</p> $f_{OUT} = \frac{CFN}{2^{26}} \times f_{MCLK}$ <p>where, <math>f_{OUT}</math> is desired output center frequency, while <math>f_{MCLK}</math> is frequency of DPLL master clock. For given master clock frequency of 100 MHz, and desired output center frequency of 65.536 MHz, the CFN has the value of:</p> $CFN = 2^{26} \times \frac{65.536MHz}{100MHz} = 2^{26} \times 0.65536 = 43980465 = 29F16B1_H$ <p>The register contents should be changed only if compensation for input oscillator (or crystal) frequency offset is required. e.g., if master clock frequency is off by +20 ppm (100.002 MHz -&gt; 5 times multiplied c20i of 20.0004 MHz), the CFN should be programmed to be:</p> $CFN = 2^{26} \times \frac{65.536MHz}{100.002MHz} = 2^{26} \times 0.65534689 = 43979585 = 29F1341_H$ <p>The default value of this register <b>SHOULD NOT</b> be changed in any other circumstances.</p>

**Table 29 - Centre Frequency Register - Lower 16 Bits (CFRL)**

External Read/Write Address: 0043<sub>H</sub>  
Reset Value: 029F<sub>H</sub>

15	14	13	12	11	10	9	8	7	6	5	4	3	2	1	0
0	0	0	0	0	0	CFN 25	CFN 24	CFN 23	CFN 22	CFN 21	CFN 20	CFN 19	CFN 18	CFN 17	CFN 16

Bit	Name	Description
15 - 10	Unused	<b>Reserved.</b> In normal functional mode, these bits <b>MUST</b> be set to zero.
9 - 0	CFN25 - 16	<p><b>Center Frequency Number (CFN) Upper 10 Bits:</b> The total binary value of these bits and the CFRL register bits represents the center frequency number (CFN) explained under CFRL register bits explanation.</p> <p>The default value of this register should be changed only if compensation for input oscillator (or crystal) frequency offset is required, and <b>SHOULD NOT</b> be changed in any other circumstances.</p>

**Table 30 - Centre Frequency Register - Upper 10 Bits (CFRU)**

External Read Only Address: 0045 <sub>H</sub>															
15	14	13	12	11	10	9	8	7	6	5	4	3	2	1	0
0	FOF 14	FOF 13	FOF 12	FOF 11	FOF 10	FOF 9	FOF 8	FOF 7	FOF 6	FOF 5	FOF 4	FOF 3	FOF 2	FOF 1	FOF 0
Bit	Name	Description													
15	Unused	<b>Reserved.</b> In normal functional mode, this bit is zero.													
14 - 0	FOF14 - 0	<b>Frequency Offset Bits:</b> The binary value of these bits represents the current deviation of the DPLL output from its center frequency. Defined in same units as CFN in the 2's complement format.													
Note 1: Output frequency offset, relative to master clock, will be represented as the following: +10 ppm: CFN x 0.00001 = 440 = 01B8 <sub>H</sub> -10 ppm: CFN x (-0.00001) = -440 = 7E48 <sub>H</sub>															

**Table 31 - Frequency Offset Register (FOR) Bits - Read Only**

External Read/Write Address: 0047 <sub>H</sub>															
Reset Value: 000F <sub>H</sub>															
15	14	13	12	11	10	9	8	7	6	5	4	3	2	1	0
LDT 15	LDT 14	LDT 13	LDT 12	LDT 11	LDT 10	LDT 9	LDT 8	LDT 7	LDT 6	LDT 5	LDT 4	LDT 3	LDT 2	LDT 1	LDT 0
Bit	Name	Description													
15 - 0	LDT15 - 0	<b>Lock Detect Threshold Bits</b> The binary value of these bits defines the upper limit of the absolute phase from the phase detector output for lock detection. When the value of the absolute phase is less than or equal to LDT for duration of time defined by the LDIR register, the DPLL locks. When the value of the absolute phase is greater than LDT for duration of time defined by the LDIR register divided by 256, the DPLL does not lock.													
Note: LDT should be calculated as per the maximum expected amplitude of jitter on the active input reference using the following formula: $LDT = \frac{MAX\_EXP\_JITTER (ms)}{1.52 (ms)} \times 2$															
Example: If maximum expected jitter amplitude on 2.048 MHz reference is 10UI (i.e., 10 x 488.2 ns = 4882 ns) (assuming the jitter frequency where DPLL attenuation is big), the LDT should be programmed to be (4882/15.2) x 2 = 642 = 0282 <sub>H</sub>															

**Table 32 - Lock Detector Threshold Register (LDTR) Bits**

External Read/Write Address: 0048 <sub>H</sub> Reset Value: 2C00 <sub>H</sub>															
15	14	13	12	11	10	9	8	7	6	5	4	3	2	1	0
LDI 15	LDI 14	LDI 13	LDI 12	LDI 11	LDI 10	LDI 9	LDI 8	LDI 7	LDI 6	LDI 5	LDI 4	LDI 3	LDI 2	LDI 1	LDI 0
Bit	Name	Description													
15 - 0	LDI15 - 0	<b>Lock Detector Interval Bits</b> The binary value of these bits defines the time interval that the output phase detector must be below the lock detect threshold to declare lock. Unsigned representation of the LDI bits is defined in 4 ms intervals.													

Table 33 - Lock Detector Interval Register (LDIR) Bits

External Read/Write Address: 0049 <sub>H</sub> Reset Value: 099F <sub>H</sub> (see Note)															
15	14	13	12	11	10	9	8	7	6	5	4	3	2	1	0
0	0	0	SRL 12	SRL 11	SRL 10	SRL 9	SRL 8	SRL 7	SRL 6	SRL 5	SRL 4	SRL 3	SRL 2	SRL 1	SRL 0
Bit	Name	Description													
15 - 13	Unused	<b>Reserved</b> In normal functional mode, these bits <b>MUST</b> be set to zero.													
12 - 0	SRL12 - 0	<b>Slew Rate Limit Bits</b> The binary value of these bits defines the maximum rate of DPLL phase change (phase slope), where the phase represents difference between the input reference and output feedback clock. Defined in same units as CFN (unsigned).													
Note: The default value is $\pm 56$ ppm ('h099F/CFN = 56 ppm).															

Table 34 - Slew Rate Limit Register (SRLR) Bits

External Read/Write Address: 004B <sub>H</sub> Reset Value: 0000 <sub>H</sub>															
15	14	13	12	11	10	9	8	7	6	5	4	3	2	1	0
0	0	0	0	0	0	0	0	MTR	PRS 1	PRS 0	PMS 2	PMS 1	PMS 0	FDM 1	FDM 0
Bit	Name	Description													
15 - 8	Unused	<b>Reserved</b> In normal functional mode, these bits <b>MUST</b> be set to zero.													

Table 35 - Reference Change Control Register (RCCR) Bits

Bit	Name	Description																																
External Read/Write Address: 004B <sub>H</sub> Reset Value: 0000 <sub>H</sub>																																		
15	14	13	12	11	10	9	8	7	6	5	4	3	2	1	0																			
0	0	0	0	0	0	0	0	MTR	PRS 1	PRS 0	PMS 2	PMS 1	PMS 0	FDM 1	FDM 0																			
7	MTR	<b>MTIE Reset</b> When this bit is low, the MTIE circuit applies a phase offset between the reference input clock and the DPLL output clock and the phase offset value is maintained. When this bit is high, MTIE circuit is in its reset state and the phase offset value is reset to zero, causing alignment of the DPLL output clocks to nearest edge of the selected input reference.																																
6 - 5	PRS1 - 0	<b>Preferred Reference Selection Bits</b> These bits select the preferred reference from one of the input references. <table border="1" style="margin-left: 40px;"> <thead> <tr> <th>PRS1</th> <th>PRS0</th> <th>Preferred Reference Selection</th> </tr> </thead> <tbody> <tr> <td>0</td> <td>0</td> <td>REF0</td> </tr> <tr> <td>0</td> <td>1</td> <td>REF1</td> </tr> <tr> <td>1</td> <td>0</td> <td>REF2</td> </tr> <tr> <td>1</td> <td>1</td> <td>REF3</td> </tr> </tbody> </table>	PRS1	PRS0	Preferred Reference Selection	0	0	REF0	0	1	REF1	1	0	REF2	1	1	REF3																	
PRS1	PRS0	Preferred Reference Selection																																
0	0	REF0																																
0	1	REF1																																
1	0	REF2																																
1	1	REF3																																
4 - 2	PMS2 - 0	<b>Preference Mode Selection Bits</b> These bits select one of the preference modes: <table border="1" style="margin-left: 40px;"> <thead> <tr> <th>PMS2</th> <th>PMS1</th> <th>PMS0</th> <th>Preference Mode</th> </tr> </thead> <tbody> <tr> <td>0</td> <td>0</td> <td>0</td> <td>No Preference</td> </tr> <tr> <td>0</td> <td>0</td> <td>1</td> <td>Preference as per the setting of the PRS1 - 0 bits</td> </tr> <tr> <td>0</td> <td>1</td> <td>0</td> <td>Force REF0</td> </tr> <tr> <td>0</td> <td>1</td> <td>1</td> <td>Force REF1</td> </tr> <tr> <td>1</td> <td>0</td> <td>0</td> <td>Force REF2</td> </tr> <tr> <td>1</td> <td>0</td> <td>1</td> <td>Force REF3</td> </tr> <tr> <td colspan="3" style="text-align: center;">110 - 111</td> <td>Reserved</td> </tr> </tbody> </table>	PMS2	PMS1	PMS0	Preference Mode	0	0	0	No Preference	0	0	1	Preference as per the setting of the PRS1 - 0 bits	0	1	0	Force REF0	0	1	1	Force REF1	1	0	0	Force REF2	1	0	1	Force REF3	110 - 111			Reserved
PMS2	PMS1	PMS0	Preference Mode																															
0	0	0	No Preference																															
0	0	1	Preference as per the setting of the PRS1 - 0 bits																															
0	1	0	Force REF0																															
0	1	1	Force REF1																															
1	0	0	Force REF2																															
1	0	1	Force REF3																															
110 - 111			Reserved																															
1 - 0	FDM1 - 0	<b>Force DPLL Mode</b> These bits force the DPLL into one of the valid operation modes. <table border="1" style="margin-left: 40px;"> <thead> <tr> <th>FDM1</th> <th>FDM0</th> <th>Operation Mode</th> </tr> </thead> <tbody> <tr> <td>0</td> <td>0</td> <td>Automatic</td> </tr> <tr> <td>0</td> <td>1</td> <td>Normal</td> </tr> <tr> <td>1</td> <td>0</td> <td>Holdover</td> </tr> <tr> <td>1</td> <td>1</td> <td>Freerun</td> </tr> </tbody> </table>	FDM1	FDM0	Operation Mode	0	0	Automatic	0	1	Normal	1	0	Holdover	1	1	Freerun																	
FDM1	FDM0	Operation Mode																																
0	0	Automatic																																
0	1	Normal																																
1	0	Holdover																																
1	1	Freerun																																

Table 35 - Reference Change Control Register (RCCR) Bits (continued)



External Read Only Address: 004C <sub>H</sub>																																																			
15	14	13	12	11	10	9	8	7	6	5	4	3	2	1	0																																				
0	0	0	0	0	0	0	0	SLM	LST	RFR2	RFR1	RFR0	RES1	RES0	DPM1	DPM0																																			
Bit	Name	Description																																																	
15 - 9	Unused	<b>Reserved</b> In normal functional mode, these bits are zero.																																																	
8	SLM	<b>Slew Rate Limiter Status Bit</b> If the device sets this bit to high, the DPLL phase difference between the input and output clocks is changing at the slew rate limit defined in the Slew Rate Limit Register (SRLR).																																																	
7	LST	<b>Lock Status Bit</b> If the device sets this bit to high, while the LDTR and LDIR registers are programmed properly, the DPLL output clocks are locked to the selected input reference. If this bit is low, the DPLL output clocks are not yet locked to the selected input reference.																																																	
6 - 4	RFR2 - 0	<b>Reference Frequency Indicator Bits</b> These bits represent the frequency of the selected reference indicated by the reference bits (RES1 - 0) in this register.																																																	
		<table border="1" style="margin-left: auto; margin-right: auto; border-collapse: collapse; text-align: center;"> <thead> <tr> <th style="padding: 2px;">RFR2</th><th style="padding: 2px;">RFR1</th><th style="padding: 2px;">RFR0</th><th style="padding: 2px;">Frequency of the Selected Reference</th></tr> </thead> <tbody> <tr><td style="padding: 2px;">0</td><td style="padding: 2px;">0</td><td style="padding: 2px;">0</td><td style="padding: 2px;">8 kHz</td></tr> <tr><td style="padding: 2px;">0</td><td style="padding: 2px;">0</td><td style="padding: 2px;">1</td><td style="padding: 2px;">1.544 MHz</td></tr> <tr><td style="padding: 2px;">0</td><td style="padding: 2px;">1</td><td style="padding: 2px;">0</td><td style="padding: 2px;">2.048 MHz</td></tr> <tr><td style="padding: 2px;">0</td><td style="padding: 2px;">1</td><td style="padding: 2px;">1</td><td style="padding: 2px;">4.096 MHz</td></tr> <tr><td style="padding: 2px;">1</td><td style="padding: 2px;">0</td><td style="padding: 2px;">0</td><td style="padding: 2px;">8.192 MHz</td></tr> <tr><td style="padding: 2px;">1</td><td style="padding: 2px;">0</td><td style="padding: 2px;">1</td><td style="padding: 2px;">16.384 MHz</td></tr> <tr><td style="padding: 2px;">1</td><td style="padding: 2px;">1</td><td style="padding: 2px;">0</td><td style="padding: 2px;">19.44MHz</td></tr> <tr><td style="padding: 2px;">1</td><td style="padding: 2px;">1</td><td style="padding: 2px;">1</td><td style="padding: 2px;">Reserved</td></tr> </tbody> </table>														RFR2	RFR1	RFR0	Frequency of the Selected Reference	0	0	0	8 kHz	0	0	1	1.544 MHz	0	1	0	2.048 MHz	0	1	1	4.096 MHz	1	0	0	8.192 MHz	1	0	1	16.384 MHz	1	1	0	19.44MHz	1	1	1	Reserved
RFR2	RFR1	RFR0	Frequency of the Selected Reference																																																
0	0	0	8 kHz																																																
0	0	1	1.544 MHz																																																
0	1	0	2.048 MHz																																																
0	1	1	4.096 MHz																																																
1	0	0	8.192 MHz																																																
1	0	1	16.384 MHz																																																
1	1	0	19.44MHz																																																
1	1	1	Reserved																																																
3 - 2	RES1 - 0	<b>Reference Select Indicator Bits:</b> These bits indicate which one of the four reference inputs (REF0 - 3 pins) is being selected by the device.																																																	
		<table border="1" style="margin-left: auto; margin-right: auto; border-collapse: collapse; text-align: center;"> <thead> <tr> <th style="padding: 2px;">RES1</th><th style="padding: 2px;">RES0</th><th style="padding: 2px;">Input Reference in use</th></tr> </thead> <tbody> <tr><td style="padding: 2px;">0</td><td style="padding: 2px;">0</td><td style="padding: 2px;">REF 0</td></tr> <tr><td style="padding: 2px;">0</td><td style="padding: 2px;">1</td><td style="padding: 2px;">REF 1</td></tr> <tr><td style="padding: 2px;">1</td><td style="padding: 2px;">0</td><td style="padding: 2px;">REF 2</td></tr> <tr><td style="padding: 2px;">1</td><td style="padding: 2px;">1</td><td style="padding: 2px;">REF 3</td></tr> </tbody> </table>														RES1	RES0	Input Reference in use	0	0	REF 0	0	1	REF 1	1	0	REF 2	1	1	REF 3																					
RES1	RES0	Input Reference in use																																																	
0	0	REF 0																																																	
0	1	REF 1																																																	
1	0	REF 2																																																	
1	1	REF 3																																																	

**Table 36 - Reference Change Status Register (RCSR) Bits - Read Only**

External Read Only Address: 004C <sub>H</sub>																														
15	14	13	12	11	10	9	8	7	6	5	4	3	2	1	0															
0	0	0	0	0	0	0	0	SLM	LST	RFR2	RFR1	RFR0	RES1	RES0	DPM1	DPM0														
Bit	Name	Description																												
1 - 0	DPM1 - 0	<b>DPLL Mode Bits</b> These bits indicate the DPLL operation mode. <table border="1" style="margin-left: auto; margin-right: auto; border-collapse: collapse;"> <thead> <tr> <th style="text-align: center;">DPM1</th><th style="text-align: center;">DPM0</th><th style="text-align: center;">DPLL Operation Mode</th></tr> </thead> <tbody> <tr> <td style="text-align: center;">0</td><td style="text-align: center;">0</td><td style="text-align: center;">MTIE</td></tr> <tr> <td style="text-align: center;">0</td><td style="text-align: center;">1</td><td style="text-align: center;">Normal</td></tr> <tr> <td style="text-align: center;">1</td><td style="text-align: center;">0</td><td style="text-align: center;">Holdover</td></tr> <tr> <td style="text-align: center;">1</td><td style="text-align: center;">1</td><td style="text-align: center;">Freerun</td></tr> </tbody> </table>														DPM1	DPM0	DPLL Operation Mode	0	0	MTIE	0	1	Normal	1	0	Holdover	1	1	Freerun
DPM1	DPM0	DPLL Operation Mode																												
0	0	MTIE																												
0	1	Normal																												
1	0	Holdover																												
1	1	Freerun																												

**Table 36 - Reference Change Status Register (RCSR) Bits - Read Only (continued)**

External Read Only Address: 0066 <sub>H</sub>																
15	14	13	12	11	10	9	8	7	6	5	4	3	2	1	0	
0	0	0	0	0	0	0	0	0	0	0	0	0	LCI	RCI	HOI	0
Bit	Name	Description														
15 - 4	Unused	<b>Reserved</b> In normal functional mode, this bit is zero.														
3	LCI	<b>Lock Change Interrupt Bit</b> If the device sets this bit to high, the device lock status has changed.														
2	RCI	<b>Reference Change Interrupt Bit</b> If the device sets this bit to high, the selected reference has changed.														
1	HOI	<b>Holdover Interrupt Bit</b> If the device sets this bit to high, the device has entered or recovered from the holdover/MTIE mode.														
0	Unused	<b>Reserved</b> In normal functional mode, this bit is zero.														
Note 1: If any of these bits are set, the interrupt output will become active unless the Interrupt Mask Register (IMR) has a high value for that particular bit. Note 2: Any of these bits can be cleared by setting the appropriate bit in the Interrupt Clear Register.																

**Table 37 - Interrupt Register (IR) Bits - Read Only**

External Read/Write Address: 0067 <sub>H</sub> Reset Value: 000F <sub>H</sub>															
15	14	13	12	11	10	9	8	7	6	5	4	3	2	1	0
0	0	0	0	0	0	0	0	0	0	0	0	LIM	RIM	HIM	1
Bit	Name	Description													
15 - 4	Unused	<b>Reserved</b> In normal functional mode, these bits <b>MUST</b> be set to zero.													
3	LIM	<b>Lock Interrupt Mask Bit</b> When this bit is high, it masks the lock status change interrupt.													
2	RIM	<b>Reference Change Interrupt Mask Bit</b> When this bit is high, it masks the reference change interrupt.													
1	HIM	<b>Holdover Interrupt Mask Bit</b> When this bit is high, it masks the holdover entry/exit interrupt.													
0	Unused	<b>Reserved</b> In normal functional mode, this bit <b>MUST</b> be set to one.													

Table 38 - Interrupt Mask Register (IMR) Bits

External Read/Write Address: 0068 <sub>H</sub> Reset Value: 0000 <sub>H</sub>															
15	14	13	12	11	10	9	8	7	6	5	4	3	2	1	0
0	0	0	0	0	0	0	0	0	0	0	0	ICB 3	ICB 2	ICB 1	1
Bit	Name	Description													
15 - 4	Unused	<b>Reserved</b> In normal functional mode, these bits <b>MUST</b> be set to zero.													
3 - 1	ICB3 - 1	<b>Interrupt Clear Bits</b> Writing a "1" to any bit in this register will clear the corresponding bit in the Interrupt Register (IR). The Interrupt Clear Register is self-clearing, i.e. once it has completed its action, the ICR register bit returns to 0.													
0	Unused	<b>Reserved</b> In normal functional mode, this bit <b>MUST</b> be set to one.													

Table 39 - Interrupt Clear Register (ICR) Bits

External Read Only Address: 0069 <sub>H</sub>															
15	14	13	12	11	10	9	8	7	6	5	4	3	2	1	0
R3 FML	R3 FMU	R3 FL	R3 FU	R2 FML	R2 FMU	R2 FL	R2 FU	R1 FML	R1 FMU	R1 FL	R1 FU	R0 FML	R0 FMU	R0 FL	R0 FU
Bit	Name	Description													
15	R3FML	<b>Reference 3 Multi-period Lower Limit Fail Bit</b> If the device sets this bit to high, the input REF3 fails the multi-period lower limit check. (See Table 11, "Multi-Period Hysteresis Limits" on page 41)													
14	R3FMU	<b>Reference 3 Multi-period Upper Limit Fail Bit</b> If the device sets this bit to high, the input REF3 fails the multi-period upper limit check. (See Table 11, "Multi-Period Hysteresis Limits" on page 41)													
13	R3FL	<b>Reference 3 Single Period Lower Limit Fail Bit</b> If the device sets this bit to high, the input REF3 fails the single-period lower limit check. (See Table 10, "Values for Single Period Limits" on page 40)													
12	R3FU	<b>Reference 3 Single Period Upper Limit Fail Bit</b> If the device sets this bit to high, the input REF3 fails the single-period upper limit check. (See Table 10, "Values for Single Period Limits" on page 40)													
11	R2FML	<b>Reference 2 Multi-period Lower Limit Fail Bit</b> If the device sets this bit to high, the input REF2 fails the multi-period lower limit check. (See Table 11, "Multi-Period Hysteresis Limits" on page 41)													
10	R2FMU	<b>Reference 2 Multi-period Upper Limit Fail Bit</b> If the device sets this bit to high, the input REF2 fails the multi-period upper limit check. (See Table 11, "Multi-Period Hysteresis Limits" on page 41)													
9	R2FL	<b>Reference 2 Single Period Lower Limit Fail Bit</b> If the device sets this bit to high, the input REF2 fails the single-period lower limit check. (See Table 10, "Values for Single Period Limits" on page 40)													
8	R2FU	<b>Reference 2 Single Period Upper Limit Fail Bit</b> If the device sets this bit to high, the input REF2 fails the single-period upper limit check. (See Table 10, "Values for Single Period Limits" on page 40)													
7	R1FML	<b>Reference 1 Multi-period Lower Limit Fail Bit</b> If the device sets this bit to high, the input REF1 fails the multi-period lower limit check. (See Table 11, "Multi-Period Hysteresis Limits" on page 41)													
6	R1FMU	<b>Reference 1 Multi-period Upper Limit Fail Bit</b> If the device sets this bit to high, the input REF1 fails the multi-period upper limit check. (See Table 11, "Multi-Period Hysteresis Limits" on page 41)													
5	R1FL	<b>Reference 1 Single Period Lower Limit Fail Bit</b> If the device sets this bit to high, the input REF1 fails the single-period lower limit check. (See Table 10, "Values for Single Period Limits" on page 40)													
4	R1FU	<b>Reference 1 Single Period Upper Limit Fail Bit</b> If the device sets this bit to high, the input REF1 fails the single-period upper limit check. (See Table 10, "Values for Single Period Limits" on page 40)													

Table 40 - Reference Failure Status Register (RSR) Bits - Read Only

External Read Only Address: 0069 <sub>H</sub>															
15	14	13	12	11	10	9	8	7	6	5	4	3	2	1	0
R3 FML	R3 FMU	R3 FL	R3 FU	R2 FML	R2 FMU	R2 FL	R2 FU	R1 FML	R1 FMU	R1 FL	R1 FU	R0 FML	R0 FMU	R0 FL	R0 FU
Bit	Name	Description													
3	R0FML	<b>Reference 0 Multi-period Lower Limit Fail Bit</b> If the device sets this bit to high, the input REF0 fails the multi-period lower limit check. (See Table 11, “Multi-Period Hysteresis Limits” on page 41)													
2	R0FMU	<b>Reference 0 Multi-period Upper Limit Fail Bit</b> If the device sets this bit to high, the input REF0 fails the multi-period upper limit check. (See Table 11, “Multi-Period Hysteresis Limits” on page 41)													
1	R0FL	<b>Reference 0 Single Period Lower Limit Fail Bit</b> If the device sets this bit to high, the input REF0 fails the single-period lower limit check. (See Table 10, “Values for Single Period Limits” on page 40)													
0	R0FU	<b>Reference 0 Single Period Upper Limit Fail Bit</b> If the device sets this bit to high, the input REF0 fails the single-period upper limit check. (See Table 10, “Values for Single Period Limits” on page 40)													

Table 40 - Reference Failure Status Register (RSR) Bits - Read Only (continued)

External Read/Write Address: 006A <sub>H</sub> Reset Value: 0000 <sub>H</sub>															
15	14	13	12	11	10	9	8	7	6	5	4	3	2	1	0
R3 MML	R3 MMU	R3 ML	R3 MU	R2 MML	R2 MMU	R2 ML	R2 MU	R1 MML	R1 MMU	R1 ML	R1 MU	R0 MML	R0 MMU	R0 ML	R0 MU
Bit	Name	Description													
15	R3MML	<b>Reference 3 Multi-period Lower Limit Mask Bit</b> When this bit is high, it masks the multi-period lower limit check (or forces pass) for REF3.													
14	R3MMU	<b>Reference 3 Multi-period Upper Limit Mask Bit</b> When this bit is high, it masks the multi-period upper limit check (or forces pass) for REF3.													
13	R3ML	<b>Reference 3 Single-period Lower Limit Mask Bit</b> When this bit is high, it masks the single-period lower limit check (or forces pass) for REF3.													
12	R3MU	<b>Reference 3 Single-period Upper Limit Mask Bit</b> When this bit is high, it masks the single-period upper limit check (or forces pass) for REF3.													

Table 41 - Reference Mask Register (RMR) Bits

External Read/Write Address: 006A <sub>H</sub> Reset Value: 0000 <sub>H</sub>															
15	14	13	12	11	10	9	8	7	6	5	4	3	2	1	0
R3 MML	R3 MMU	R3 ML	R3 MU	R2 MML	R2 MMU	R2 ML	R2 MU	R1 MML	R1 MMU	R1 ML	R1 MU	R0 MML	R0 MMU	R0 ML	R0 MU
Bit	Name	Description													
11	R2MML	<b>Reference 2 Multi-period Lower Limit Mask Bit</b> When this bit is high, it masks the multi-period lower limit check (or forces pass) for REF2.													
10	R2MMU	<b>Reference 2 Multi-period Upper Limit Mask Bit</b> When this bit is high, it masks the multi-period upper limit check (or forces pass) for REF2.													
9	R2ML	<b>Reference 2 Single-period Lower Limit Mask Bit</b> When this bit is high, it masks the single-period lower limit check (or forces pass) for REF2.													
8	R2MU	<b>Reference 2 Single-period Upper Limit Mask Bit</b> When this bit is high, it masks the single-period upper limit check (or forces pass) for REF2.													
7	R1MML	<b>Reference 1 Multi-period Lower Limit Mask Bit</b> When this bit is high, it masks the multi-period lower limit check (or forces pass) for REF1.													
6	R1MMU	<b>Reference 1 Multi-period Upper Limit Mask Bit</b> When this bit is high, it masks the multi-period upper limit check (or forces pass) for REF1.													
5	R1ML	<b>Reference 1 Single-period Lower Limit Mask Bit</b> When this bit is high, it masks the single-period lower limit check (or forces pass) for REF1.													
4	R1MU	<b>Reference 1 Single-period Upper Limit Mask Bit</b> When this bit is high, it masks the single-period upper limit check (or forces pass) for REF1.													
3	R0MML	<b>Reference 0 Multi-period Lower Limit Mask Bit</b> When this bit is high, it masks the multi-period lower limit check (or forces pass) for REF0.													
2	R0MMU	<b>Reference 0 Multi-period Upper Limit Mask Bit</b> When this bit is high, it masks the multi-period upper limit check (or forces pass) for REF0.													
1	R0ML	<b>Reference 0 Single-period Lower Limit Mask Bit</b> When this bit is high, it masks the single-period lower limit check (or forces pass) for REF0.													

Table 41 - Reference Mask Register (RMR) Bits (continued)

External Read/Write Address: 006A <sub>H</sub> Reset Value: 0000 <sub>H</sub>															
15	14	13	12	11	10	9	8	7	6	5	4	3	2	1	0
R3 MML	R3 MMU	R3 ML	R3 MU	R2 MML	R2 MMU	R2 ML	R2 MU	R1 MML	R1 MMU	R1 ML	R1 MU	R0 MML	R0 MMU	R0 ML	R0 MU
Bit	Name	Description													
0	R0MU	<b>Reference 0 Single-period Upper Limit Mask Bit</b> When this bit is high, it masks the single-period upper limit check (or forces pass) for REF0.													

Table 41 - Reference Mask Register (RMR) Bits (continued)

External Read Only Address: 006B <sub>H</sub>																																																			
15	14	13	12	11	10	9	8	7	6	5	4	3	2	1	0																																				
0	0	0	0	R3FS 2	R3FS 1	R3FS 0	R2FS 2	R2FS 1	R2FS 0	R1FS 2	R1FS 1	R1FS 0	R0FS 2	R0FS 1	R0FS 0																																				
Bit	Name	Description																																																	
15 - 12	Unused	<b>Reserved.</b> In normal functional mode, these bits are zero.																																																	
11 - 9	R3FS2 - 0	<b>Reference 3 Frequency Status Bits</b> These bits report detected frequency of REF3. <table border="1" style="margin-left: 40px;"> <thead> <tr> <th>R3FS2</th><th>R3FS1</th><th>R3FS0</th><th>REF3 Frequency Measurement</th></tr> </thead> <tbody> <tr> <td>0</td><td>0</td><td>0</td><td>8 kHz</td></tr> <tr> <td>0</td><td>0</td><td>1</td><td>1.544 MHz</td></tr> <tr> <td>0</td><td>1</td><td>0</td><td>2.048 MHz</td></tr> <tr> <td>0</td><td>1</td><td>1</td><td>4.096 MHz</td></tr> <tr> <td>1</td><td>0</td><td>0</td><td>8.192 MHz</td></tr> <tr> <td>1</td><td>0</td><td>1</td><td>16.384 MHz</td></tr> <tr> <td>1</td><td>1</td><td>0</td><td>19.44 MHz</td></tr> <tr> <td>1</td><td>1</td><td>1</td><td>Reserved</td></tr> </tbody> </table>														R3FS2	R3FS1	R3FS0	REF3 Frequency Measurement	0	0	0	8 kHz	0	0	1	1.544 MHz	0	1	0	2.048 MHz	0	1	1	4.096 MHz	1	0	0	8.192 MHz	1	0	1	16.384 MHz	1	1	0	19.44 MHz	1	1	1	Reserved
R3FS2	R3FS1	R3FS0	REF3 Frequency Measurement																																																
0	0	0	8 kHz																																																
0	0	1	1.544 MHz																																																
0	1	0	2.048 MHz																																																
0	1	1	4.096 MHz																																																
1	0	0	8.192 MHz																																																
1	0	1	16.384 MHz																																																
1	1	0	19.44 MHz																																																
1	1	1	Reserved																																																

Table 42 - Reference Frequency Status Register (RFSR) Bits - Read only

External Read Only Address: 006B <sub>H</sub>																																																			
15	14	13	12	11	10	9	8	7	6	5	4	3	2	1	0																																				
0	0	0	0	R3FS 2	R3FS 1	R3FS 0	R2FS 2	R2FS 1	R2FS 0	R1FS 2	R1FS 1	R1FS 0	R0FS 2	R0FS 1	R0FS 0																																				
Bit	Name	Description																																																	
8 - 6	R2FS2 - 0	<b>Reference 2 Frequency Status Bits:</b> These bits report detected frequency of REF2. <table border="1" style="margin: 10px auto; border-collapse: collapse; width: 80%;"> <thead> <tr> <th style="text-align: center;">R2FS2</th> <th style="text-align: center;">R2FS1</th> <th style="text-align: center;">R2FS0</th> <th style="text-align: center;">REF 2 Frequency Measurement</th> </tr> </thead> <tbody> <tr><td style="text-align: center;">0</td><td style="text-align: center;">0</td><td style="text-align: center;">0</td><td style="text-align: center;">8 kHz</td></tr> <tr><td style="text-align: center;">0</td><td style="text-align: center;">0</td><td style="text-align: center;">1</td><td style="text-align: center;">1.544 MHz</td></tr> <tr><td style="text-align: center;">0</td><td style="text-align: center;">1</td><td style="text-align: center;">0</td><td style="text-align: center;">2.048 MHz</td></tr> <tr><td style="text-align: center;">0</td><td style="text-align: center;">1</td><td style="text-align: center;">1</td><td style="text-align: center;">4.096 MHz</td></tr> <tr><td style="text-align: center;">1</td><td style="text-align: center;">0</td><td style="text-align: center;">0</td><td style="text-align: center;">8.192 MHz</td></tr> <tr><td style="text-align: center;">1</td><td style="text-align: center;">0</td><td style="text-align: center;">1</td><td style="text-align: center;">16.384 MHz</td></tr> <tr><td style="text-align: center;">1</td><td style="text-align: center;">1</td><td style="text-align: center;">0</td><td style="text-align: center;">19.44 MHz</td></tr> <tr><td style="text-align: center;">1</td><td style="text-align: center;">1</td><td style="text-align: center;">1</td><td style="text-align: center;">Reserved</td></tr> </tbody> </table>														R2FS2	R2FS1	R2FS0	REF 2 Frequency Measurement	0	0	0	8 kHz	0	0	1	1.544 MHz	0	1	0	2.048 MHz	0	1	1	4.096 MHz	1	0	0	8.192 MHz	1	0	1	16.384 MHz	1	1	0	19.44 MHz	1	1	1	Reserved
R2FS2	R2FS1	R2FS0	REF 2 Frequency Measurement																																																
0	0	0	8 kHz																																																
0	0	1	1.544 MHz																																																
0	1	0	2.048 MHz																																																
0	1	1	4.096 MHz																																																
1	0	0	8.192 MHz																																																
1	0	1	16.384 MHz																																																
1	1	0	19.44 MHz																																																
1	1	1	Reserved																																																
5 - 3	R1FS2 - 0	<b>Reference 1 Frequency Status Bits:</b> These bits report detected frequency of REF1. <table border="1" style="margin: 10px auto; border-collapse: collapse; width: 80%;"> <thead> <tr> <th style="text-align: center;">R1FS2</th> <th style="text-align: center;">R1FS1</th> <th style="text-align: center;">R1FS0</th> <th style="text-align: center;">REF1 Frequency Measurement</th> </tr> </thead> <tbody> <tr><td style="text-align: center;">0</td><td style="text-align: center;">0</td><td style="text-align: center;">0</td><td style="text-align: center;">8 kHz</td></tr> <tr><td style="text-align: center;">0</td><td style="text-align: center;">0</td><td style="text-align: center;">1</td><td style="text-align: center;">1.544 MHz</td></tr> <tr><td style="text-align: center;">0</td><td style="text-align: center;">1</td><td style="text-align: center;">0</td><td style="text-align: center;">2.048 MHz</td></tr> <tr><td style="text-align: center;">0</td><td style="text-align: center;">1</td><td style="text-align: center;">1</td><td style="text-align: center;">4.096 MHz</td></tr> <tr><td style="text-align: center;">1</td><td style="text-align: center;">0</td><td style="text-align: center;">0</td><td style="text-align: center;">8.192 MHz</td></tr> <tr><td style="text-align: center;">1</td><td style="text-align: center;">0</td><td style="text-align: center;">1</td><td style="text-align: center;">16.384 MHz</td></tr> <tr><td style="text-align: center;">1</td><td style="text-align: center;">1</td><td style="text-align: center;">0</td><td style="text-align: center;">19.44 MHz</td></tr> <tr><td style="text-align: center;">1</td><td style="text-align: center;">1</td><td style="text-align: center;">1</td><td style="text-align: center;">Reserved</td></tr> </tbody> </table>														R1FS2	R1FS1	R1FS0	REF1 Frequency Measurement	0	0	0	8 kHz	0	0	1	1.544 MHz	0	1	0	2.048 MHz	0	1	1	4.096 MHz	1	0	0	8.192 MHz	1	0	1	16.384 MHz	1	1	0	19.44 MHz	1	1	1	Reserved
R1FS2	R1FS1	R1FS0	REF1 Frequency Measurement																																																
0	0	0	8 kHz																																																
0	0	1	1.544 MHz																																																
0	1	0	2.048 MHz																																																
0	1	1	4.096 MHz																																																
1	0	0	8.192 MHz																																																
1	0	1	16.384 MHz																																																
1	1	0	19.44 MHz																																																
1	1	1	Reserved																																																
2 - 0	R0FS2 - 0	<b>Reference 0 Frequency Status Bits:</b> These bits report detected frequency of REF0. <table border="1" style="margin: 10px auto; border-collapse: collapse; width: 80%;"> <thead> <tr> <th style="text-align: center;">R0FS2</th> <th style="text-align: center;">R0FS1</th> <th style="text-align: center;">R0FS0</th> <th style="text-align: center;">REF0 Frequency Measurement</th> </tr> </thead> <tbody> <tr><td style="text-align: center;">0</td><td style="text-align: center;">0</td><td style="text-align: center;">0</td><td style="text-align: center;">8 kHz</td></tr> <tr><td style="text-align: center;">0</td><td style="text-align: center;">0</td><td style="text-align: center;">1</td><td style="text-align: center;">1.544 MHz</td></tr> <tr><td style="text-align: center;">0</td><td style="text-align: center;">1</td><td style="text-align: center;">0</td><td style="text-align: center;">2.048 MHz</td></tr> <tr><td style="text-align: center;">0</td><td style="text-align: center;">1</td><td style="text-align: center;">1</td><td style="text-align: center;">4.096 MHz</td></tr> <tr><td style="text-align: center;">1</td><td style="text-align: center;">0</td><td style="text-align: center;">0</td><td style="text-align: center;">8.192 MHz</td></tr> <tr><td style="text-align: center;">1</td><td style="text-align: center;">0</td><td style="text-align: center;">1</td><td style="text-align: center;">16.384 MHz</td></tr> <tr><td style="text-align: center;">1</td><td style="text-align: center;">1</td><td style="text-align: center;">0</td><td style="text-align: center;">19.44 MHz</td></tr> <tr><td style="text-align: center;">1</td><td style="text-align: center;">1</td><td style="text-align: center;">1</td><td style="text-align: center;">Reserved</td></tr> </tbody> </table>														R0FS2	R0FS1	R0FS0	REF0 Frequency Measurement	0	0	0	8 kHz	0	0	1	1.544 MHz	0	1	0	2.048 MHz	0	1	1	4.096 MHz	1	0	0	8.192 MHz	1	0	1	16.384 MHz	1	1	0	19.44 MHz	1	1	1	Reserved
R0FS2	R0FS1	R0FS0	REF0 Frequency Measurement																																																
0	0	0	8 kHz																																																
0	0	1	1.544 MHz																																																
0	1	0	2.048 MHz																																																
0	1	1	4.096 MHz																																																
1	0	0	8.192 MHz																																																
1	0	1	16.384 MHz																																																
1	1	0	19.44 MHz																																																
1	1	1	Reserved																																																

**Table 42 - Reference Frequency Status Register (RFSR) Bits - Read only (continued)**



External Read/Write Address: 006C <sub>H</sub> Reset Value: 0002 <sub>H</sub>															
15	14	13	12	11	10	9	8	7	6	5	4	3	2	1	0
0	0	0	0	0	0	0	0	0	0	0	0	0	OJP2	OJP1	OJP0
Bit	Name	Description													
15 - 3	Unused	<b>Reserved</b> In normal functional mode, these bits <b>MUST</b> be set to zero.													
2 - 0	OJP2 - 0	<b>Output Jitter Performance Bits</b> These bits are used to control the DPLL output jitter performance with respect to the noise received through the output pins. The higher value (unsigned) means more filtering, while zero means filter bypass. The default value of 2 <sub>H</sub> gives the best performance for most circumstances.													

Table 43 - Output Jitter Control Register (OJCR) Bits

External Read/Write Address: 0100 <sub>H</sub> - 011F <sub>H</sub> Reset Value: 0000 <sub>H</sub>																
15	14	13	12	11	10	9	8	7	6	5	4	3	2	1	0	
0	0	0	0	0	0	0	STIN[n] BD2	STIN[n] BD1	STIN[n] BD0	STIN[n] SMP1	STIN[n] SMP0	STIN[n] DR3	STIN[n] DR2	STIN[n] DR1	STIN[n] DR0	
Bit	Name	Description														
15 - 9	Unused	<b>Reserved</b> In normal functional mode, these bits <b>MUST</b> be set to zero.														
8 - 6	STIN[n]BD2 - 0	<b>Input Stream[n] Bit Delay Bits.</b> The binary value of these bits refers to the number of bits that the input stream will be delayed relative to FPi. The maximum value is 7. Zero means no delay.														
5 - 4	STIN[n]SMP1 - 0	<b>Input Data Sampling Point Selection Bits</b>														
		STIN[n]SMP1-0	Sampling Point (2.048 Mbps, 4.096 Mbps, 8.192 Mbps streams)										Sampling Point (16.384 Mbps streams)			
		00	3/4 point										2/4 point			
		01	1/4 point													
		10	2/4 point										4/4 point			
		11	4/4 point													

Table 44 - Stream Input Control Register 0 - 31 (SICR0 - 31) Bits

External Read/Write Address: 0100 <sub>H</sub> - 011F <sub>H</sub> Reset Value: 0000 <sub>H</sub>																														
15	14	13	12	11	10	9	8	7	6	5	4	3	2	1	0															
0	0	0	0	0	0	0	0	STIN[n] BD2	STIN[n] BD1	STIN[n] BD0	STIN[n] SMP1	STIN[n] SMP0	STIN[n] DR3	STIN[n] DR2	STIN[n] DR1	STIN[n] DR0														
Bit	Name	Description																												
3 - 0	STIN[n]DR3 - 0	<b>Input Data Rate Selection Bits:</b> <table border="1" style="margin-left: auto; margin-right: auto; border-collapse: collapse;"> <thead> <tr> <th style="text-align: center;">STIN[n]DR3-0</th><th style="text-align: center;">Data Rate</th></tr> </thead> <tbody> <tr> <td style="text-align: center;">0000</td><td style="text-align: center;">Stream Unused</td></tr> <tr> <td style="text-align: center;">0001</td><td style="text-align: center;">2.048 Mbps</td></tr> <tr> <td style="text-align: center;">0010</td><td style="text-align: center;">4.096 Mbps</td></tr> <tr> <td style="text-align: center;">0011</td><td style="text-align: center;">8.192 Mbps</td></tr> <tr> <td style="text-align: center;">0100</td><td style="text-align: center;">16.384 Mbps</td></tr> <tr> <td style="text-align: center;">0101 - 1111</td><td style="text-align: center;">Reserved</td></tr> </tbody> </table>															STIN[n]DR3-0	Data Rate	0000	Stream Unused	0001	2.048 Mbps	0010	4.096 Mbps	0011	8.192 Mbps	0100	16.384 Mbps	0101 - 1111	Reserved
STIN[n]DR3-0	Data Rate																													
0000	Stream Unused																													
0001	2.048 Mbps																													
0010	4.096 Mbps																													
0011	8.192 Mbps																													
0100	16.384 Mbps																													
0101 - 1111	Reserved																													
Note: [n] denotes input stream from 0 - 31.																														

**Table 44 - Stream Input Control Register 0 - 31 (SICR0 - 31) Bits (continued)**

External Read/Write Address: 0120 <sub>H</sub> - 013F <sub>H</sub> Reset Value: 0000 <sub>H</sub>																											
15	14	13	12	11	10	9	8	7	6	5	4	3	2	1	0												
0	0	0	0	STIN[n] Q3C2	STIN[n] Q3C1	STIN[n] Q3C0	STIN[n] Q2C2	STIN[n] Q2C1	STIN[n] Q2C0	STIN[n] Q1C2	STIN[n] Q1C1	STIN[n] Q1C0	STIN[n] Q0C2	STIN[n] Q0C1	STIN[n] Q0C0												
Bit	Name	Description																									
15 - 12	Unused	<b>Reserved</b> In normal functional mode, these bits <b>MUST</b> be set to zero.																									
11 - 9	STIN[n]Q3C2 - 0	<b>Quadrant Frame 3 Control Bits</b> These three bits are used to control STi[n]'s quadrant frame 3, which is defined as Ch24 to 31, Ch48 to 63, Ch96 to 127 and Ch192 to 255 for the 2.048 Mbps, 4.096 Mbps, 8.192 Mbps, and 16.384 Mbps modes respectively. <table border="1" data-bbox="628 706 1353 982"> <thead> <tr> <th>STIN[n]Q3C2-0</th><th>Operation</th></tr> </thead> <tbody> <tr> <td>0xx</td><td>normal operation</td></tr> <tr> <td>100</td><td>LSB of each channel is replaced by "0"</td></tr> <tr> <td>101</td><td>LSB of each channel is replaced by "1"</td></tr> <tr> <td>110</td><td>MSB of each channel is replaced by "0"</td></tr> <tr> <td>111</td><td>MSB of each channel is replaced by "1"</td></tr> </tbody> </table>														STIN[n]Q3C2-0	Operation	0xx	normal operation	100	LSB of each channel is replaced by "0"	101	LSB of each channel is replaced by "1"	110	MSB of each channel is replaced by "0"	111	MSB of each channel is replaced by "1"
STIN[n]Q3C2-0	Operation																										
0xx	normal operation																										
100	LSB of each channel is replaced by "0"																										
101	LSB of each channel is replaced by "1"																										
110	MSB of each channel is replaced by "0"																										
111	MSB of each channel is replaced by "1"																										
8 - 6	STIN[n]Q2C2 - 0	<b>Quadrant Frame 2 Control Bits</b> These three bits are used to control STi[n]'s quadrant frame 2, which is defined as Ch16 to 23, Ch32 to 47, Ch64 to 95 and Ch128 to 191 for the 2.048 Mbps, 4.096 Mbps 8.192 Mbps, and 16.384 Mbps modes respectively. <table border="1" data-bbox="655 1152 1326 1427"> <thead> <tr> <th>STIN[n]Q2C2-0</th><th>Operation</th></tr> </thead> <tbody> <tr> <td>0xx</td><td>normal operation</td></tr> <tr> <td>100</td><td>LSB of each channel is replaced by "0"</td></tr> <tr> <td>101</td><td>LSB of each channel is replaced by "1"</td></tr> <tr> <td>110</td><td>MSB of each channel is replaced by "0"</td></tr> <tr> <td>111</td><td>MSB of each channel is replaced by "1"</td></tr> </tbody> </table>														STIN[n]Q2C2-0	Operation	0xx	normal operation	100	LSB of each channel is replaced by "0"	101	LSB of each channel is replaced by "1"	110	MSB of each channel is replaced by "0"	111	MSB of each channel is replaced by "1"
STIN[n]Q2C2-0	Operation																										
0xx	normal operation																										
100	LSB of each channel is replaced by "0"																										
101	LSB of each channel is replaced by "1"																										
110	MSB of each channel is replaced by "0"																										
111	MSB of each channel is replaced by "1"																										

Table 45 - Stream Input Quadrant Frame Register 0 - 31 (SIQFR0 - 31) Bits

External Read/Write Address: 0120 <sub>H</sub> - 013F <sub>H</sub> Reset Value: 0000 <sub>H</sub>																												
15	14	13	12	11	10	9	8	7	6	5	4	3	2	1	0													
0	0	0	0	STIN[n] Q3C2	STIN[n] Q3C1	STIN[n] Q3C0	STIN[n] Q2C2	STIN[n] Q2C1	STIN[n] Q2C0	STIN[n] Q1C2	STIN[n] Q1C1	STIN[n] Q1C0	STIN[n] Q0C2	STIN[n] Q0C1	STIN[n] Q0C0													
Bit	Name		Description																									
5 - 3	STIN[n]Q1C2 - 0		<p><b>Quadrant Frame 1 Control Bits</b> These three bits are used to control STi[n]'s quadrant frame 1, which is defined as Ch8 to 15, Ch16 to 31, Ch32 to 63 and Ch64 to 127 for the 2.048 Mbps, 4.096 Mbps, 8.192 Mbps, and 16.384 Mbps modes respectively.</p> <table border="1"> <thead> <tr> <th>STIN[n]Q1C2-0</th><th>Operation</th></tr> </thead> <tbody> <tr> <td>0xx</td><td>normal operation</td></tr> <tr> <td>100</td><td>LSB of each channel is replaced by "0"</td></tr> <tr> <td>101</td><td>LSB of each channel is replaced by "1"</td></tr> <tr> <td>110</td><td>MSB of each channel is replaced by "0"</td></tr> <tr> <td>111</td><td>MSB of each channel is replaced by "1"</td></tr> </tbody> </table>														STIN[n]Q1C2-0	Operation	0xx	normal operation	100	LSB of each channel is replaced by "0"	101	LSB of each channel is replaced by "1"	110	MSB of each channel is replaced by "0"	111	MSB of each channel is replaced by "1"
STIN[n]Q1C2-0	Operation																											
0xx	normal operation																											
100	LSB of each channel is replaced by "0"																											
101	LSB of each channel is replaced by "1"																											
110	MSB of each channel is replaced by "0"																											
111	MSB of each channel is replaced by "1"																											
2 - 0	STIN[n]Q0C2 - 0		<p><b>Quadrant Frame 0 Control Bits</b> These three bits are used to control STi[n]'s quadrant frame 0, which is defined as Ch0 to 7, Ch0 to 15, Ch0 to 31 and Ch0 to 63 for the 2.048 Mbps, 4.096 Mbps, 8.192 Mbps, and 16.384 Mbps modes respectively.</p> <table border="1"> <thead> <tr> <th>STIN[n]Q0C2-0</th><th>Operation</th></tr> </thead> <tbody> <tr> <td>0xx</td><td>normal operation</td></tr> <tr> <td>100</td><td>LSB of each channel is replaced by "0"</td></tr> <tr> <td>101</td><td>LSB of each channel is replaced by "1"</td></tr> <tr> <td>110</td><td>MSB of each channel is replaced by "0"</td></tr> <tr> <td>111</td><td>MSB of each channel is replaced by "1"</td></tr> </tbody> </table>														STIN[n]Q0C2-0	Operation	0xx	normal operation	100	LSB of each channel is replaced by "0"	101	LSB of each channel is replaced by "1"	110	MSB of each channel is replaced by "0"	111	MSB of each channel is replaced by "1"
STIN[n]Q0C2-0	Operation																											
0xx	normal operation																											
100	LSB of each channel is replaced by "0"																											
101	LSB of each channel is replaced by "1"																											
110	MSB of each channel is replaced by "0"																											
111	MSB of each channel is replaced by "1"																											
Note: [n] denotes input stream from 0 - 31.																												

**Table 45 - Stream Input Quadrant Frame Register 0 - 31 (SIQFR0 - 31) Bits (continued)**

External Read/Write Address: 0200 <sub>H</sub> - 021F <sub>H</sub> Reset Value: 0000 <sub>H</sub>																
15	14	13	12	11	10	9	8	7	6	5	4	3	2	1	0	
0	0	0	0	STOZH [n]A2	STOZH [n]A1	STOZH [n]A0	STO[n] FA1	STO[n] FA0	STO[n] AD2	STO[n] AD1	STO[n] AD0	STO[n] DR3	STO[n] DR2	STO[n] DR1	STO[n] DR0	
Bit	Name	Description														
15 - 12	Unused	<b>Reserved</b> In normal functional mode, these bits <b>MUST</b> be set to zero.														
11 - 9	STOZH[n]A2 - 0  (Valid only for STIo0-15)	<b>STOZH Additional Advancement Bits</b>														
		STOZH[n]A2-0	Additional Advancement (2.048 Mbps, 4.096 Mbps, 8.192 Mbps)										Additional Advancement (16.384 Mbps streams)			
		000	0 bit										0 bit			
		001	1/4 bit										2/4 bit			
		010	2/4 bit										4/4 bit			
		011	3/4 bit										Reserved			
		100	4/4 bit													
		101-111	Reserved													
8 - 7	STO[n]FA1 - 0	<b>Output Stream[n] Fractional Advancement Bits</b>														
		STO[n]FA1-0	Advancement (2.048 Mbps, 4.096 Mbps, 8.192 Mbps streams)										Advancement (16.384 Mbps streams)			
		00	0										0			
		01	1/4 bit										2/4			
		10	2/4 bit										Reserved			
		11	3/4 bit													
6 - 4	STO[n]AD2 - 0	<b>Output Stream[n] Bit Advancement Selection Bits</b> The binary value of these bits refers to the number of bits that the output stream is to be advanced relative to FPo. The maximum value is 7. Zero means no advancement.														
3 - 0	STO[n]DR3 - 0	<b>Output Data Rate Selection Bits</b>														
		STIN[n]DR3 - 0	Data Rate													
		0000	disabled: STIo HiZ (STOZH driven high)													
		0001	2.048 Mbps													
		0010	4.096 Mbps													
		0011	8.192 Mbps													
		0100	16.384 Mbps													
		0101 - 1111	Reserved													
Note: [n] denotes output stream from 0 - 31.																

**Table 46 - Stream Output Control Register 0 - 31 (SOCRO - 31) Bits**

External Read/Write Address: 0300 <sub>H</sub> - 031F <sub>H</sub> Reset Value: 0000 <sub>H</sub>															
15	14	13	12	11	10	9	8	7	6	5	4	3	2	1	0
0	0	0	0	0	0	0	0	ST[n] BRS7	ST[n] BRS6	ST[n] BRS5	ST[n] BRS4	ST[n] BRS3	ST[n] BRS2	ST[n] BRS1	ST[n] BRS0
Bit	Name	Description													
15 - 8	Unused	<b>Reserved</b> In normal functional mode, these bits <b>MUST</b> be set to zero.													
7 - 0	ST[n] BRS7 - 0	<b>Stream[n] BER Receive Start Bits</b> The binary value of these bits refers to the input channel in which the BER data starts to be compared.													
Note: [n] denotes input stream from 0 - 31.															

Table 47 - BER Receiver Start Register [n] (BRSR[n]) Bits

External Read/Write Address: 0320 <sub>H</sub> - 033F <sub>H</sub> Reset Value: 0000 <sub>H</sub>															
15	14	13	12	11	10	9	8	7	6	5	4	3	2	1	0
0	0	0	0	0	0	0	ST[n] BL8	ST[n] BL7	ST[n] BL6	ST[n] BL5	ST[n] BL4	ST[n] BL3	ST[n] BL2	ST[n] BL1	ST[n] BL0
Bit	Name	Description													
15 - 9	Unused	<b>Reserved</b> In normal functional mode, these bits <b>MUST</b> be set to zero.													
8 - 0	ST[n] BL8 - 0	<b>Stream[n] BER Length Bits</b> The binary value of these bits refers to the number of consecutive channels expected to receive the BER pattern. The maximum number of BER channels is 32, 64, 128 and 256 for the data rates of 2.048 Mbps, 4.096 Mbps, 8.192 Mbps and 16.384 Mbps respectively. The minimum number of BER channels is 1. If these bits are set to zero, no BER test will be performed.													
Note: [n] denotes input stream from 0 - 31.															

Table 48 - BER Receiver Length Register [n] (BRLR[n]) Bits

External Read/Write Address: 0340 <sub>H</sub> - 035F <sub>H</sub> Reset Value: 0000 <sub>H</sub>															
15	14	13	12	11	10	9	8	7	6	5	4	3	2	1	0
0	0	0	0	0	0	0	0	0	0	0	0	0	0	ST[n] CBER	ST[n] SBER
Bit	Name	Description													
15 - 2	Unused	<b>Reserved</b> In normal functional mode, these bits <b>MUST</b> be set to zero.													
1	ST[n] CBER	<b>Stream[n] Bit Error Rate Counter Clear</b> When this bit is high, it resets the internal bit error counter and the stream BER Receiver Error Register to zero.													
0	ST[n] SBER	<b>Stream[n] Bit Error Rate Test Start</b> When this bit is high, it enables the BER receiver; starts the bit error rate test. The bit error test result is kept in the BER Receiver Error (BRER[n]) register. Upon the completion of the BER test, set this bit to zero. Note that the RBEREB bit must be set in the IMS Register first.													
Note: [n] denotes input stream from 0 - 31.															

**Table 49 - BER Receiver Control Register [n] (BRCR[n]) Bits**

External Read Address: 0360 <sub>H</sub> - 037F <sub>H</sub> Reset Value: 0000 <sub>H</sub>															
15	14	13	12	11	10	9	8	7	6	5	4	3	2	1	0
ST[n] BC15	ST[n] BC14	ST[n] BC13	ST[n] BC12	ST[n] BC11	ST[n] BC10	ST[n] BC9	ST[n] BC8	ST[n] BC7	ST[n] BC6	ST[n] BC5	ST[n] BC4	ST[n] BC3	ST[n] BC2	ST[n] BC1	ST[n] BC0
Bit	Name	Description													
15 - 0	ST[n] BC15 - 0	<b>Stream[n] BER Count Bits (Read Only)</b> The binary value of these bits refers to the bit error counts. When it reaches its maximum value of 0xFFFF, the value will be held and will not rollover.													
Note: [n] denotes input stream from 0 - 31.															

**Table 50 - BER Receiver Error Register [n] (BRER[n]) Bits - Read Only**

## 25.0 Memory

### 25.1 Memory Address Mappings

When A13 is high, the data or connection memory can be accessed by the microprocessor port. Bit 1 - 0 in the Control Register determine the access to the data or connection memory (CM\_L or CM\_H).

MSB (Note 1)	Stream Address (St0 - 31)						Channel Address (Ch0 - 255)									
	A13	A12	A11	A10	A9	A8	Stream [n]	A7	A6	A5	A4	A3	A2	A1	A0	Channel [n]
1	0	0	0	0	0	0	Stream 0	0	0	0	0	0	0	0	0	Ch 0
1	0	0	0	0	0	1	Stream 1	0	0	0	0	0	0	0	1	Ch 1
1	0	0	0	0	1	0	Stream 2	.	.	.	.	.	.	.	.	.
1	0	0	0	1	1	1	Stream 3	.	.	.	.	.	.	.	.	.
1	0	0	1	0	0	0	Stream 4	0	0	0	1	1	1	1	0	Ch 30
1	0	0	1	0	1	1	Stream 5	0	0	0	1	1	1	1	1	Ch 31 (Note 2)
1	0	0	1	1	0	0	Stream 6	0	0	1	0	0	1	0	0	Ch 32
1	0	0	1	1	1	1	Stream 7	0	0	1	0	0	0	0	1	Ch 33
1	0	1	0	0	0	0	Stream 8	.	.	.	.	.	.	.	.	.
.	.	.	.	.	.	.	.	.	.	.	.	.	.	.	.	.
.	.	.	.	.	.	.	.	0	0	1	1	1	1	1	0	Ch 62
.	.	.	.	.	.	.	.	0	0	1	1	1	1	1	1	Ch 63 (Note 3)
.	.	.	.	.	.	.	.	.	.	.	.	.	.	.	.	.
.	.	.	.	.	.	.	.	.	.	.	.	.	.	.	.	.
1	0	1	1	1	1	0	Stream 14	.	.	.	.	.	.	.	.	.
1	0	1	1	1	1	1	Stream 15	.	.	.	.	.	.	.	.	.
.	.	.	.	.	.	.	.	0	1	1	1	1	1	1	0	Ch126
.	.	.	.	.	.	.	.	0	1	1	1	1	1	1	1	Ch 127 (Note 4)
.	.	.	.	.	.	.	.	.	.	.	.	.	.	.	.	.
.	.	.	.	.	.	.	.	.	.	.	.	.	.	.	.	.
.	.	.	.	.	.	.	.	.	.	.	.	.	.	.	.	.
1	1	1	1	1	1	0	Stream 30	1	1	1	1	1	1	1	0	Ch 254
1	1	1	1	1	1	1	Stream 31	1	1	1	1	1	1	1	1	Ch 255 (Note 5)

Notes:  
 1. A13 must be high for access to data and connection memory positions. A13 must be low to access internal registers.  
 2. Channels 0 to 31 are used when serial stream is at 2.048 Mbps.  
 3. Channels 0 to 63 are used when serial stream is at 4.096 Mbps.  
 4. Channels 0 to 127 are used when serial stream is at 8.192 Mbps.  
 5. Channels 0 to 255 are used when serial stream is at 16.384 Mbps.

Table 51 - Address Map for Memory Locations (A13 = 1)

### 25.2 Connection Memory Low (CM\_L) Bit Assignment

When the CMM bit (bit 0) in the connection memory low is zero, the per-channel transmission is set to the normal channel-switching. The connection memory low bit assignment for the channel transmission mode is shown in Table 52 on page 80.

15	14	13	12	11	10	9	8	7	6	5	4	3	2	1	0
UA EN	V/C	SSA 4	SSA 3	SSA 2	SSA 1	SSA 0	SCA 7	SCA 6	SCA 5	SCA 4	SCA 3	SCA 2	SCA 1	SCA 0	<b>CMM =0</b>
Bit	Name	Description													
15	UAEN	<b>Conversion between <math>\mu</math>-law and A-law Enable</b> When this bit is low, normal switch without $\mu$ -law/A-law conversion. Connection memory high will be ignored. When this bit is high, switch with $\mu$ -law/A-law conversion, and connection memory high controls the conversion method.													

Table 52 - Connection Memory Low (CM\_L) Bit Assignment when CMM = 0



15	14	13	12	11	10	9	8	7	6	5	4	3	2	1	0
UA EN	$\overline{V/C}$	SSA 4	SSA 3	SSA 2	SSA 1	SSA 0	SCA 7	SCA 6	SCA 5	SCA 4	SCA 3	SCA 2	SCA 1	SCA 0	<b>CMM =0</b>
Bit	Name	Description													
14	$\overline{V/C}$	<b>Variable/Constant Delay Control</b> When this bit is low, the output data for this channel will be taken from constant delay memory. When this bit is set to high, the output data for this channel will be taken from variable delay memory. Note that VAREN must be set in Control Register first.													
13 - 9	SSA4 - 0	<b>Source Stream Address</b> The binary value of these 5 bits represents the input stream number.													
8 - 1	SCA7 - 0	<b>Source Channel Address</b> The binary value of these 8 bits represents the input channel number.													
0	CMM = 0	<b>Connection Memory Mode = 0</b> If this is low, the connection memory is in the normal switching mode. Bit13 - 1 are the source stream number and channel number.													
Note: For proper $\mu$ -law/A-law conversion, the CM_H bits should be set before Bit 15 (UAEN bit) is set to high.															

**Table 52 - Connection Memory Low (CM\_L) Bit Assignment when CMM = 0**

When CMM is one, the device is programmed to perform one of the special per-channel transmission modes. Bits PCC0 and PCC1 from connection memory are used to select the per-channel tristate, message or BER test mode as shown in Table 53 on page 81.

15	14	13	12	11	10	9	8	7	6	5	4	3	2	1	0
UA EN	0	0	0	0	MSG 7	MSG 6	MSG 5	MSG 4	MSG 3	MSG 2	MSG 1	MSG 0	PCC 1	PCC 0	<b>CMM =1</b>
Bit	Name	Description													
15	UAEN	<b>Conversion between <math>\mu</math>-law and A-law Enable (Message mode only)</b> When this bit is low, message mode has no $\mu$ -law/A-law conversion. Connection memory high will be ignored. When this bit is high, message mode has $\mu$ -law/A-law conversion, and connection memory high controls the conversion method.													
14 - 11	Unused	<b>Reserved</b> In normal functional mode, these bits <b>MUST</b> be set to zero.													
10 - 3	MSG7 - 0	<b>Message Data Bits</b> 8-bit data for the message mode. Not used in the per-channel tristate and BER test modes.													

**Table 53 - Connection Memory Low (CM\_L) Bit Assignment when CMM = 1**

	15	14	13	12	11	10	9	8	7	6	5	4	3	2	1	0
	UA	0	0	0	0	MSG	MSG	MSG	MSG	MSG	MSG	MSG	MSG	PCC	PCC	<b>CMM</b>
	EN					7	6	5	4	3	2	1	0	1	0	<b>=1</b>

Bit	Name	Description															
2 - 1	PCC1 - 0	<p><b>Per-Channel Control Bits</b> These two bits control the corresponding entry's value on the STio stream.</p> <table border="1" style="margin-left: auto; margin-right: auto; border-collapse: collapse; text-align: center;"> <thead> <tr> <th style="width: 10%;">PC C1</th> <th style="width: 10%;">PC C0</th> <th style="width: 80%;">Channel Output Mode</th> </tr> </thead> <tbody> <tr> <td>0</td> <td>0</td> <td>Per Channel Tristate</td> </tr> <tr> <td>0</td> <td>1</td> <td>Message Mode</td> </tr> <tr> <td>1</td> <td>0</td> <td>BER Test Mode</td> </tr> <tr> <td>1</td> <td>1</td> <td>Reserved</td> </tr> </tbody> </table>	PC C1	PC C0	Channel Output Mode	0	0	Per Channel Tristate	0	1	Message Mode	1	0	BER Test Mode	1	1	Reserved
PC C1	PC C0	Channel Output Mode															
0	0	Per Channel Tristate															
0	1	Message Mode															
1	0	BER Test Mode															
1	1	Reserved															
0	CMM = 1	<p><b>Connection Memory Mode = 1</b> If this is high, the connection memory is in the per-channel control mode which is per-channel tristate, per-channel message mode or per-channel BER mode.</p>															

Note: For proper  $\mu$ -law/A-law conversion, the CM\_H bits should be set before Bit 15 (UAEN bit) is set to high.

**Table 53 - Connection Memory Low (CM\_L) Bit Assignment when CMM = 1**

### 25.3 Connection Memory High (CM\_H) Bit Assignment

Connection memory high provides the detailed information required for  $\mu$ -law and A-law conversion. ICL and OCL bits describe the Input Coding Law and the Output Coding Law, respectively. They are used to select the expected PCM coding laws for the connection, on the TDM inputs, and on the TDM outputs. The  $\bar{V}/D$  bit is used to select the class of coding law. If the  $\bar{V}/D$  bit is cleared (to select a voice connection), the ICL and OCL bits select between A-law and  $\mu$ -law specifications related to G.711 voice coding. If the  $\bar{V}/D$  bit is set (to select a data connection), the ICL and OCL bits select between various bit inverting protocols. These coding laws are illustrated in the following table. If the ICL is different than the OCL, all data bytes passing through the switch on that particular connection are translated between the indicated laws. If the ICL and the OCL are the same, no coding law translation is performed. The ICL, the OCL bits and  $\bar{V}/D$  bit only have an effect on PCM code translations for constant delay connections, variable delay connections and per-channel message mode.

15	14	13	12	11	10	9	8	7	6	5	4	3	2	1	0																	
0	0	0	0	0	0	0	0	0	0	0	$\bar{V}/D$	ICL 1	ICL 0	OCL 1	OCL 0																	
Bit	Name	Description																														
15 - 5	Unused	<b>Reserved</b> In normal functional mode, these bits <b>MUST</b> be set to zero.																														
4	$\bar{V}/D$	<b>Voice/Data Control</b> When this bit is low, the corresponding channel is for voice. When this bit is high, the corresponding channel is for data.																														
3 - 2	ICL1 - 0	<b>Input Coding Law.</b> <table border="1" style="margin: 10px auto; border-collapse: collapse;"> <thead> <tr> <th rowspan="2" style="text-align: center;">ICL1-0</th><th colspan="2" style="text-align: center;">Input Coding Law</th></tr> <tr> <th style="text-align: center;">For Voice (<math>\bar{V}/D</math> bit = 0)</th><th style="text-align: center;">For Data (<math>\bar{V}/D</math> bit = 1)</th></tr> </thead> <tbody> <tr> <td style="text-align: center;">00</td><td style="text-align: center;">CCITT.ITU A-law</td><td style="text-align: center;">No code</td></tr> <tr> <td style="text-align: center;">01</td><td style="text-align: center;">CCITT.ITU <math>\mu</math>-law</td><td style="text-align: center;">ABI</td></tr> <tr> <td style="text-align: center;">10</td><td style="text-align: center;">A-law w/o ABI</td><td style="text-align: center;">Inverted ABI</td></tr> <tr> <td style="text-align: center;">11</td><td style="text-align: center;"><math>\mu</math>-law w/o Magnitude Inversion</td><td style="text-align: center;">All Bits Inverted</td></tr> </tbody> </table>														ICL1-0	Input Coding Law		For Voice ( $\bar{V}/D$ bit = 0)	For Data ( $\bar{V}/D$ bit = 1)	00	CCITT.ITU A-law	No code	01	CCITT.ITU $\mu$ -law	ABI	10	A-law w/o ABI	Inverted ABI	11	$\mu$ -law w/o Magnitude Inversion	All Bits Inverted
ICL1-0	Input Coding Law																															
	For Voice ( $\bar{V}/D$ bit = 0)	For Data ( $\bar{V}/D$ bit = 1)																														
00	CCITT.ITU A-law	No code																														
01	CCITT.ITU $\mu$ -law	ABI																														
10	A-law w/o ABI	Inverted ABI																														
11	$\mu$ -law w/o Magnitude Inversion	All Bits Inverted																														
1 - 0	OCL1 - 0	<b>Output Coding Law</b> <table border="1" style="margin: 10px auto; border-collapse: collapse;"> <thead> <tr> <th rowspan="2" style="text-align: center;">OCL1-0</th><th colspan="2" style="text-align: center;">Output Coding Law</th></tr> <tr> <th style="text-align: center;">For Voice (<math>\bar{V}/D</math> bit = 0)</th><th style="text-align: center;">For Data (<math>\bar{V}/D</math> bit = 1)</th></tr> </thead> <tbody> <tr> <td style="text-align: center;">00</td><td style="text-align: center;">CCITT.ITU A-law</td><td style="text-align: center;">No code</td></tr> <tr> <td style="text-align: center;">01</td><td style="text-align: center;">CCITT.ITU <math>\mu</math>-law</td><td style="text-align: center;">ABI</td></tr> <tr> <td style="text-align: center;">10</td><td style="text-align: center;">A-law w/o ABI</td><td style="text-align: center;">Inverted ABI</td></tr> <tr> <td style="text-align: center;">11</td><td style="text-align: center;"><math>\mu</math>-law w/o Magnitude Inversion</td><td style="text-align: center;">All Bits Inverted</td></tr> </tbody> </table>														OCL1-0	Output Coding Law		For Voice ( $\bar{V}/D$ bit = 0)	For Data ( $\bar{V}/D$ bit = 1)	00	CCITT.ITU A-law	No code	01	CCITT.ITU $\mu$ -law	ABI	10	A-law w/o ABI	Inverted ABI	11	$\mu$ -law w/o Magnitude Inversion	All Bits Inverted
OCL1-0	Output Coding Law																															
	For Voice ( $\bar{V}/D$ bit = 0)	For Data ( $\bar{V}/D$ bit = 1)																														
00	CCITT.ITU A-law	No code																														
01	CCITT.ITU $\mu$ -law	ABI																														
10	A-law w/o ABI	Inverted ABI																														
11	$\mu$ -law w/o Magnitude Inversion	All Bits Inverted																														
		Note 1: For proper $\mu$ -law/A-law conversion, the CM_H bits should be set before Bit 15 of CM_L is set to high. Note 2: Refer to G.711 standard for detail information of different laws.																														

**Table 54 - Connection Memory High (CM\_H) Bit Assignment**

## 26.0 Applications

This section contains application-specific details for clock and crystal operation and power supply decoupling.

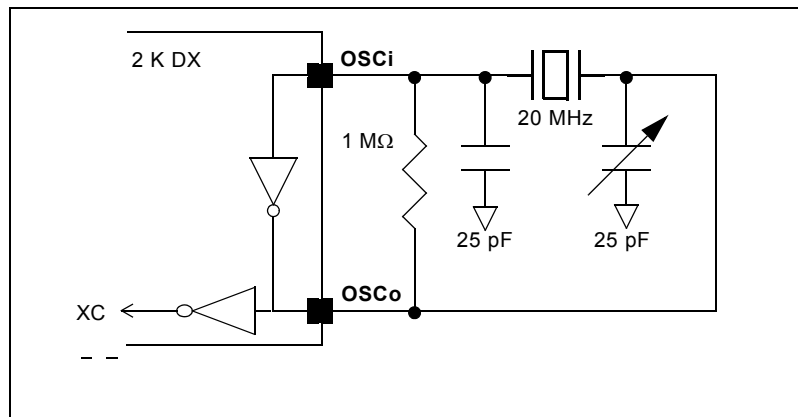
### 26.1 OSCi Master Clock Requirement

The device requires a 20 MHz master clock source at the OSCi pin when operating in Master mode or in Divided Slave with OSC mode. The clock source may be either an external clock oscillator connected to the OSCi pin, or an external crystal connected between the OSCi and OSCo pins. If an external clock source is present, OSC\_EN must be tied high.

Note that using a crystal is only suitable for wider tolerance applications (i.e.,  $\pm 100$  ppm). For stratum 4E applications a clock oscillator with a tolerance of  $\pm 32$  ppm should be used. See Application Note ZLAN-68 for a list of Oscillators and Crystals that can be used with Zarlink PLL's and Digital Switches with embedded PLL's.

#### 26.1.1 External Crystal Oscillator

When an external crystal oscillator is used, a complete oscillator circuit made up of a crystal, resistor and capacitors is shown in Figure 21 on page 84. XC is a buffered version of the 20 MHz input clock connected to the internal circuitry.



**Figure 21 - Crystal Oscillator Circuit**

The accuracy of a crystal oscillator circuit depends on the crystal tolerance as well as the load capacitance tolerance. Typically, for a 20 MHz crystal specified with a 32 pF load capacitance, each 1 pF change in load capacitance contributes approximately 9 ppm to the frequency deviation. Consequently, capacitor tolerances and stray capacitances have a major effect on the accuracy of the oscillator frequency. The trimmer capacitor shown in Figure 21 on page 84 may be used to compensate for capacitive effects.

The crystal should be a fundamental mode type - not an overtone. The fundamental mode crystal permits a simpler oscillator circuit with no additional filter components and is less likely to generate spurious responses. The crystal accuracy only affects the output clock accuracy in the freerun or the holdover mode. The crystal specification is as follows:

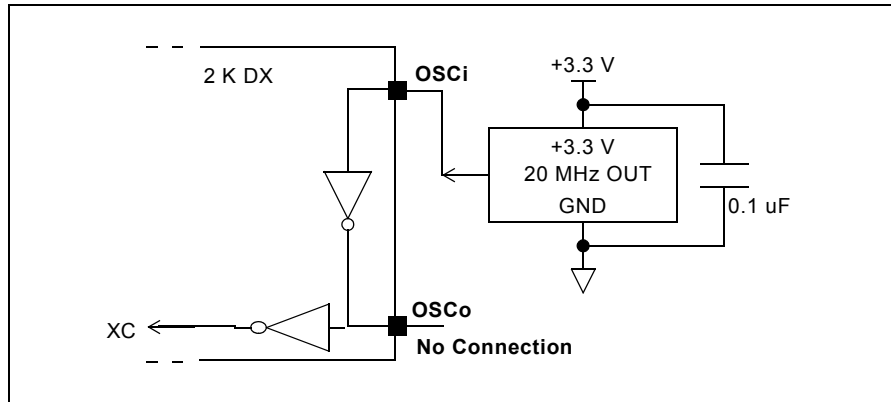
Frequency	20 MHz
Tolerance	As required
Oscillation Mode	Fundamental
Resonance Mode	Parallel
Load Capacitance	20 pF - 32 pF

Maximum Series Resistance	35 $\Omega$
Approximate Drive Level	1 mW

### 26.1.2 External Clock Oscillator

When an external clock oscillator is used, numerous parameters must be considered. They include absolute frequency, frequency change over temperature, output rise and fall times, output levels and duty cycle.

The output clock should be connected directly (not AC coupled) to the OSCi input of the device, and the OSCo output should be left open as shown in Figure 22 on page 85. XC is a buffered version of the 20 MHz input clock connected to the internal circuitry.



**Figure 22 - Clock Oscillator Circuit**

For applications requiring  $\pm 32$  ppm clock accuracy, the following requirements should be met:

Frequency	20.000 MHz
Tolerance	$\pm 32$ ppm
Rise and Fall Time	10 ns
Duty Cycle	40% to 60%

## 27.0 DC Parameters

### Absolute Maximum Ratings\*

	Parameter	Symbol	Min.	Max.	Units
1	I/O Supply Voltage	$V_{DD\_IO}$	-0.5	5.0	V
2	Core Supply Voltage	$V_{DD\_CORE}$	-0.5	2.5	V
3	Input Voltage	$V_{I\_3V}$	-0.5	$V_{DD} + 0.5$	V
4	Input Voltage (5 V-tolerant inputs)	$V_{I\_5V}$	-0.5	7.0	V
5	Continuous Current at Digital Outputs	$I_o$		15	mA
6	Package Power Dissipation	$P_D$		1.5	W
7	Storage Temperature	$T_S$	- 55	+125	°C

\* Exceeding these values may cause permanent damage. Functional operation under these conditions is not implied.

### Recommended Operating Conditions - Voltages are with respect to ground ( $V_{SS}$ ) unless otherwise stated.

	Characteristics	Sym.	Min.	Typ.‡	Max.	Units
1	Operating Temperature	$T_{OP}$	-40	25	+85	°C
2	Positive Supply	$V_{DD\_IO}$	3.0	3.3	3.6	V
3	Positive Supply	$V_{DD\_CORE}$	1.71	1.8	1.89	V
4	Input Voltage	$V_I$	0	3.3	$V_{DD\_IO}$	V
5	Input Voltage on 5 V-Tolerant Inputs	$V_{I\_5V}$	0	5.0	5.5	V

‡ Typical figures are at 25°C and are for design aid only: not guaranteed and not subject to production testing.

### DC Electrical Characteristics† - Voltages are with respect to ground ( $V_{SS}$ ) unless otherwise stated.

	Characteristics	Sym.	Min.	Typ.‡	Max.	Units	Test Conditions
1	Supply Current - $V_{DD\_CORE}$	$I_{DD\_CORE}$			165	mA	
2	Supply Current - $V_{DD\_IO}$	$I_{DD\_IO}$			75	mA	$C_L = 30$ pF
3	Input High Voltage	$V_{IH}$	2.0			V	
4	Input Low Voltage	$V_{IL}$			0.8	V	
5	Input Leakage (input pins) Input Leakage (bi-directional pins)	$I_{IL}$ $I_{BL}$			5 5	$\mu$ A $\mu$ A	$0 \leq V_{IN} \leq V_{DD\_IO}$ See Note 1
6	Weak Pullup Current	$I_{PU}$		-33		$\mu$ A	Input at 0 V
7	Weak Pulldown Current	$I_{PD}$		33		$\mu$ A	Input at $V_{DD\_IO}$
8	Input Pin Capacitance	$C_I$		3		pF	
9	Output High Voltage	$V_{OH}$	2.4			V	$I_{OH} = 10$ mA
10	Output Low Voltage	$V_{OL}$			0.4	V	$I_{OL} = 10$ mA
11	Output High Impedance Leakage	$I_{OZ}$			5	$\mu$ A	$0 < V < V_{DD}$
12	Output Pin Capacitance	$C_O$		5	10	pF	

† Characteristics are over recommended operating conditions unless otherwise stated.

‡ Typical figures are at 25°C and are for design aid only: not guaranteed and not subject to production testing.

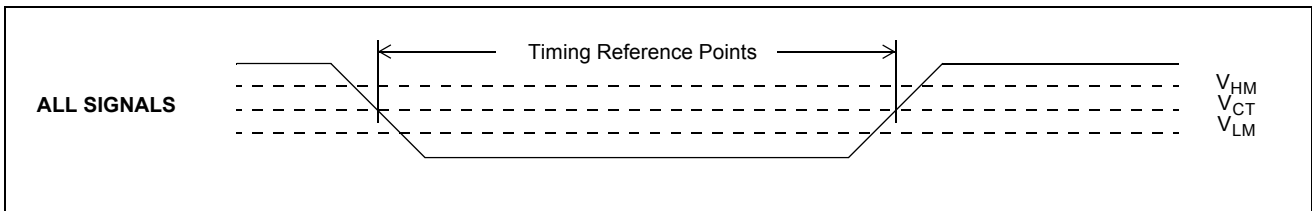
\* Note 1: Maximum leakage on pins (output or I/O pins in high impedance state) is over an applied voltage ( $V_{IN}$ ).

**28.0 AC Parameters**

**AC Electrical Characteristics<sup>†</sup> - Timing Parameter Measurement Voltage Levels**

	Characteristics	Sym.	Level	Units	Conditions
1	CMOS Threshold	$V_{CT}$	$0.5 V_{DD\_IO}$	V	
2	Rise/Fall Threshold Voltage High	$V_{HM}$	$0.7 V_{DD\_IO}$	V	
3	Rise/Fall Threshold Voltage Low	$V_{LM}$	$0.3 V_{DD\_IO}$	V	

<sup>†</sup> Characteristics are over recommended operating conditions unless otherwise stated.



**Figure 23 - Timing Parameter Measurement Voltage Levels**

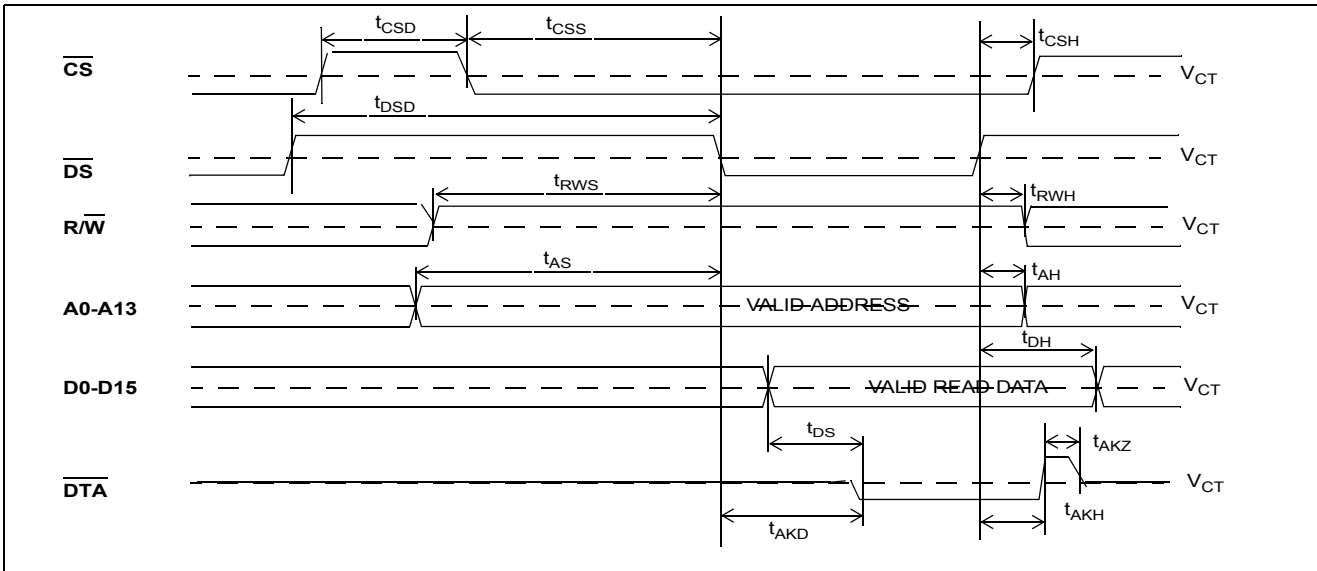
**AC Electrical Characteristics<sup>†</sup> - Motorola Non-Multiplexed Bus Mode - Read Access**

	Characteristics	Sym.	Min.	Typ.	Max.	Units	Test Conditions <sup>2</sup>
1	$\overline{CS}$ de-asserted time	$t_{CSD}$	15			ns	
2	$\overline{DS}$ de-asserted time	$t_{DSD}$	15			ns	
3	$\overline{CS}$ setup to $\overline{DS}$ falling	$t_{CSS}$	0			ns	
4	R/W setup to $\overline{DS}$ falling	$t_{RWS}$	10			ns	
5	Address setup to $\overline{DS}$ falling	$t_{AS}$	5			ns	
6	$\overline{CS}$ hold after $\overline{DS}$ rising	$t_{CSH}$	0			ns	
7	R/W hold after $\overline{DS}$ rising	$t_{RWH}$	0			ns	
8	Address hold after $\overline{DS}$ rising	$t_{AH}$	0			ns	
9	Data setup to $\overline{DTA}$ Low	$t_{DS}$	8			ns	$C_L = 50$ pF
10	Data hold after $\overline{DS}$ rising	$t_{DH}$	7			ns	$C_L = 50$ pF, $R_L = 1$ K (Note 1)
11	Acknowledgement delay time. From $\overline{DS}$ low to $\overline{DTA}$ low: Registers Memory	$t_{AKD}$			75 185	ns ns	$C_L = 50$ pF $C_L = 50$ pF
12	Acknowledgement hold time. From $\overline{DS}$ high to $\overline{DTA}$ high	$t_{AKH}$	4		12	ns	$C_L = 50$ pF, $R_L = 1$ K (Note 1)
13	$\overline{DTA}$ drive high to HiZ	$t_{AKZ}$			8	ns	

Note 1: High impedance is measured by pulling to the appropriate rail with  $R_L$ , with timing corrected to cancel time taken to discharge  $C_L$ .

Note 2: A delay of 500  $\mu$ s to 2 ms (see Section 18.2 on page 42) must be applied before the first microprocessor access is performed after the RESET pin is set high.

<sup>†</sup> Characteristics are over recommended operating conditions unless otherwise stated.



**Figure 24 - Motorola Non-Multiplexed Bus Timing - Read Access**



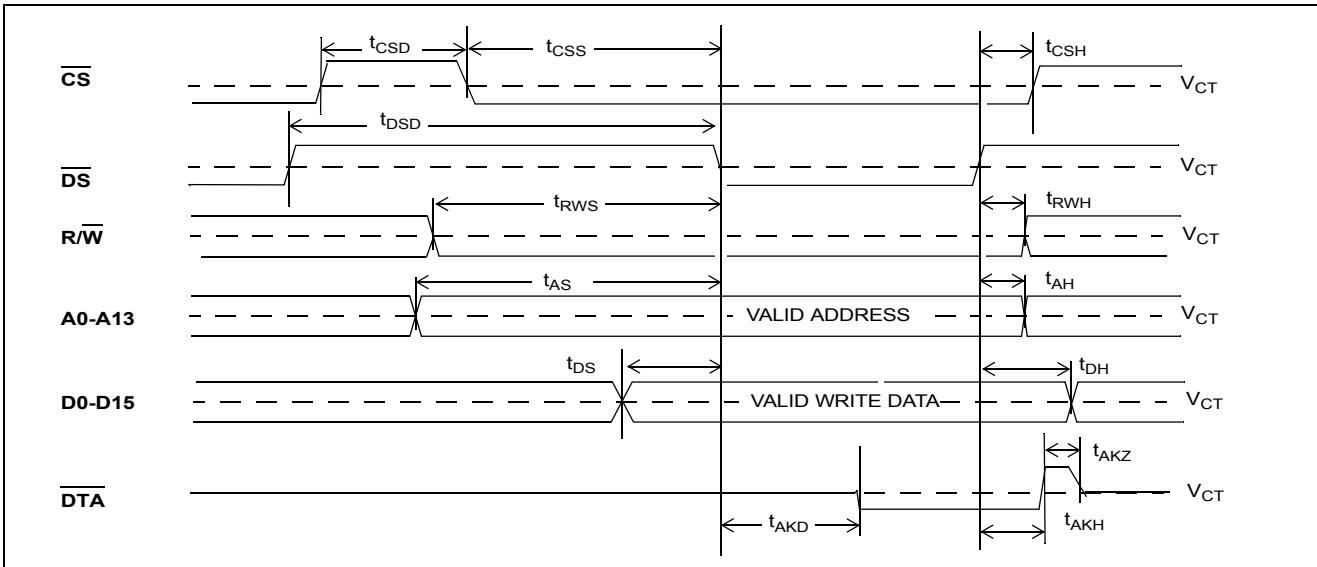
**AC Electrical Characteristics<sup>†</sup> - Motorola Non-Multiplexed Bus Mode - Write Access**

	Characteristics	Sym.	Min.	Typ.	Max.	Units	Test Conditions <sup>2</sup>
1	$\overline{CS}$ de-asserted time	$t_{CSD}$	15			ns	
2	$\overline{DS}$ de-asserted time	$t_{DSD}$	15			ns	
3	$\overline{CS}$ setup to $\overline{DS}$ falling	$t_{CSS}$	0			ns	
4	R/W setup to $\overline{DS}$ falling	$t_{RWS}$	10			ns	
5	Address setup to $\overline{DS}$ falling	$t_{AS}$	5			ns	
6	Data setup to $\overline{DS}$ falling	$t_{DS}$	0			ns	$C_L = 50$ pF
7	$\overline{CS}$ hold after $\overline{DS}$ rising	$t_{CSH}$	0			ns	
8	R/W hold after $\overline{DS}$ rising	$t_{RWH}$	0			ns	
9	Address hold after $\overline{DS}$ rising	$t_{AH}$	0			ns	
10	Data hold from $\overline{DS}$ rising	$t_{DH}$	5			ns	$C_L = 50$ pF, $R_L = 1$ K (Note 1)
11	Acknowledgement delay time. From $\overline{DS}$ low to $\overline{DTA}$ low: Registers Memory	$t_{AKD}$			55 150	ns ns	$C_L = 50$ pF $C_L = 50$ pF
12	Acknowledgement hold time. From $\overline{DS}$ high to $\overline{DTA}$ high	$t_{AKH}$	4		12	ns	$C_L = 50$ pF, $R_L = 1$ K (Note 1)
13	$\overline{DTA}$ drive high to HiZ	$t_{AKZ}$			8	ns	

Note 1: High impedance is measured by pulling to the appropriate rail with  $R_L$ , with timing corrected to cancel time taken to discharge  $C_L$ .

Note 2: A delay of 500  $\mu$ s to 2 ms (see Section 18.2 on page 42) must be applied before the first microprocessor access is performed after the RESET pin is set high.

<sup>†</sup> Characteristics are over recommended operating conditions unless otherwise stated.



**Figure 25 - Motorola Non-Multiplexed Bus Timing - Write Access**

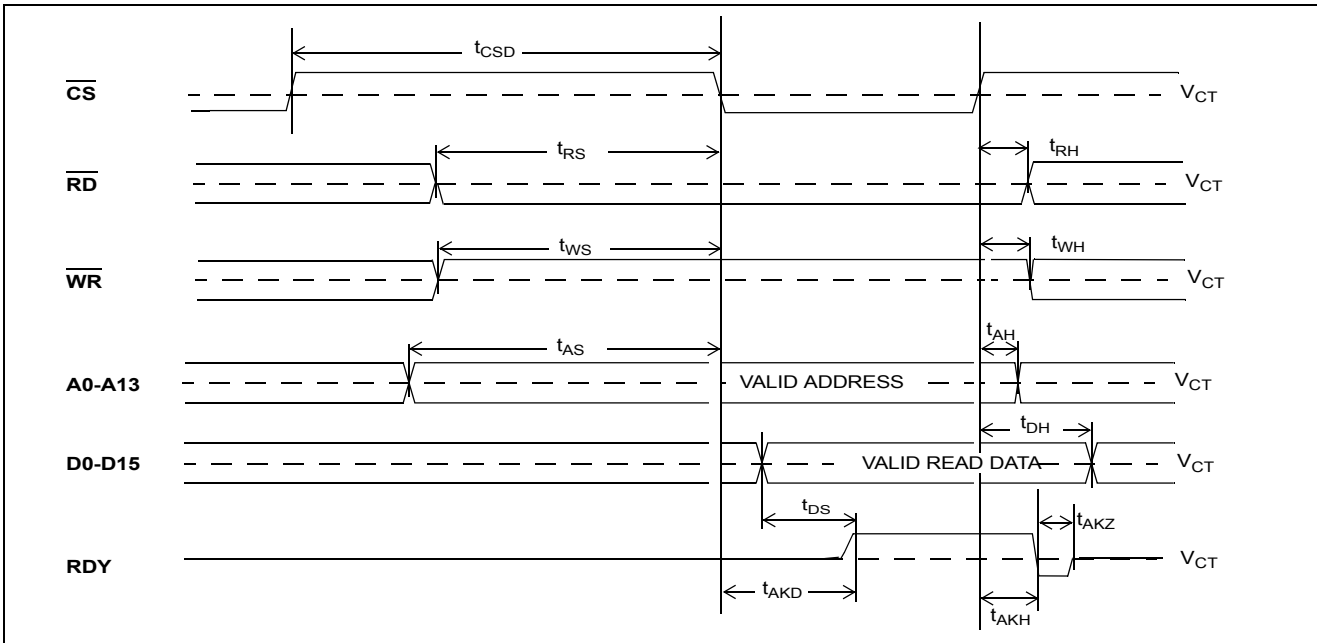
**AC Electrical Characteristics<sup>†</sup> - Intel Non-Multiplexed Bus Mode - Read Access**

	Characteristics	Sym.	Min.	Typ.	Max.	Units	Test Conditions <sup>2</sup>
1	$\overline{CS}$ de-asserted time	$t_{CSD}$	15			ns	
2	$\overline{RD}$ setup to $\overline{CS}$ falling	$t_{RS}$	10			ns	
3	$\overline{WR}$ setup to $\overline{CS}$ falling	$t_{WS}$	10			ns	
4	Address setup to $\overline{CS}$ falling	$t_{AS}$	5			ns	
5	$\overline{RD}$ hold after $\overline{CS}$ rising	$t_{RH}$	0			ns	
6	$\overline{WR}$ hold after $\overline{CS}$ rising	$t_{WH}$	0			ns	
7	Address hold after $\overline{CS}$ rising	$t_{AH}$	0			ns	
8	Data setup to RDY high	$t_{DS}$	8			ns	$C_L = 50$ pF
9	Data hold after $\overline{CS}$ rising	$t_{DH}$	7			ns	$C_L = 50$ pF, $R_L = 1$ K (Note 1)
10	Acknowledgement delay time. From $\overline{CS}$ low to RDY high: Registers Memory	$t_{AKD}$			75 185	ns ns	$C_L = 50$ pF $C_L = 50$ pF
11	Acknowledgement hold time. From $\overline{CS}$ high to RDY low	$t_{AKH}$	4		12	ns	$C_L = 50$ pF, $R_L = 1$ K (Note 1)
12	RDY drive low to HiZ	$t_{AKZ}$			8	ns	

Note 1: High impedance is measured by pulling to the appropriate rail with  $R_L$ , with timing corrected to cancel time taken to discharge  $C_L$ .

Note 2: A delay of 500  $\mu$ s to 2 ms (see Section 18.2 on page 42) must be applied before the first microprocessor access is performed after the RESET pin is set high.

<sup>†</sup> Characteristics are over recommended operating conditions unless otherwise stated.



**Figure 26 - Intel Non-Multiplexed Bus Timing - Read Access**

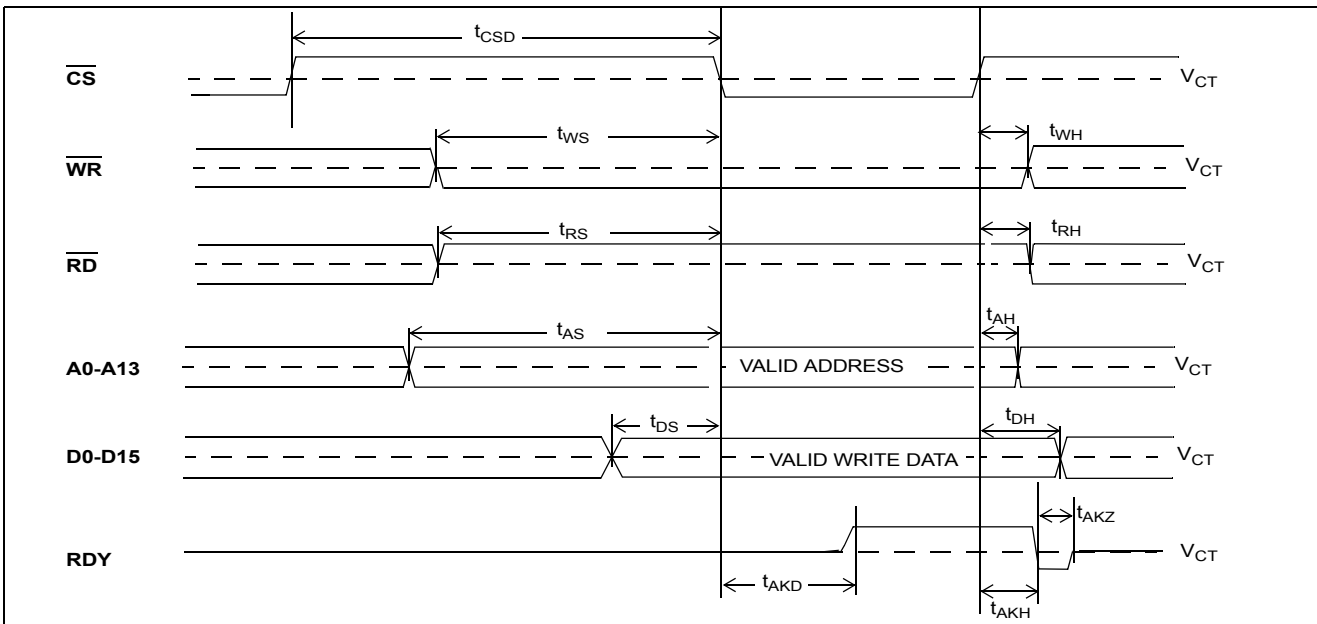
**AC Electrical Characteristics<sup>†</sup> - Intel Non-Multiplexed Bus Mode - Write Access**

	Characteristics	Sym.	Min.	Typ.	Max.	Units	Test Conditions <sup>2</sup>
1	$\overline{CS}$ de-asserted time	$t_{CSD}$	15			ns	
2	$\overline{WR}$ setup to $\overline{CS}$ falling	$t_{WS}$	10			ns	
3	$\overline{RD}$ setup to $\overline{CS}$ falling	$t_{RS}$	10			ns	
4	Address setup to $\overline{CS}$ falling	$t_{AS}$	5			ns	
5	Data setup to $\overline{CS}$ falling	$t_{DS}$	0			ns	$C_L = 50\text{ pF}$
6	$\overline{WR}$ hold after $\overline{CS}$ rising	$t_{WH}$	0			ns	
7	$\overline{RD}$ hold after $\overline{CS}$ rising	$t_{RH}$	0			ns	
8	Address hold after $\overline{CS}$ rising	$t_{AH}$	10			ns	
9	Data hold after $\overline{CS}$ rising	$t_{DH}$	5			ns	$C_L = 50\text{ pF}, R_L = 1\text{ K}$ (Note 1)
10	Acknowledgement delay time. From $\overline{CS}$ low to RDY high: Registers Memory	$t_{AKD}$			55 150	ns ns	$C_L = 50\text{ pF}$ $C_L = 50\text{ pF}$
11	Acknowledgement hold time. From $\overline{CS}$ high to RDY low	$t_{AKH}$	4		12	ns	$C_L = 50\text{ pF}, R_L = 1\text{ K}$ (Note 1)
12	RDY drive low to HiZ	$t_{AKZ}$			8	ns	

Note 1: High impedance is measured by pulling to the appropriate rail with  $R_L$ , with timing corrected to cancel time taken to discharge  $C_L$ .

Note 2: A delay of 500  $\mu\text{s}$  to 2 ms (Section 18.2 on page 42) must be applied before the first microprocessor access is performed after the RESET pin is set high.

<sup>†</sup> Characteristics are over recommended operating conditions unless otherwise stated.

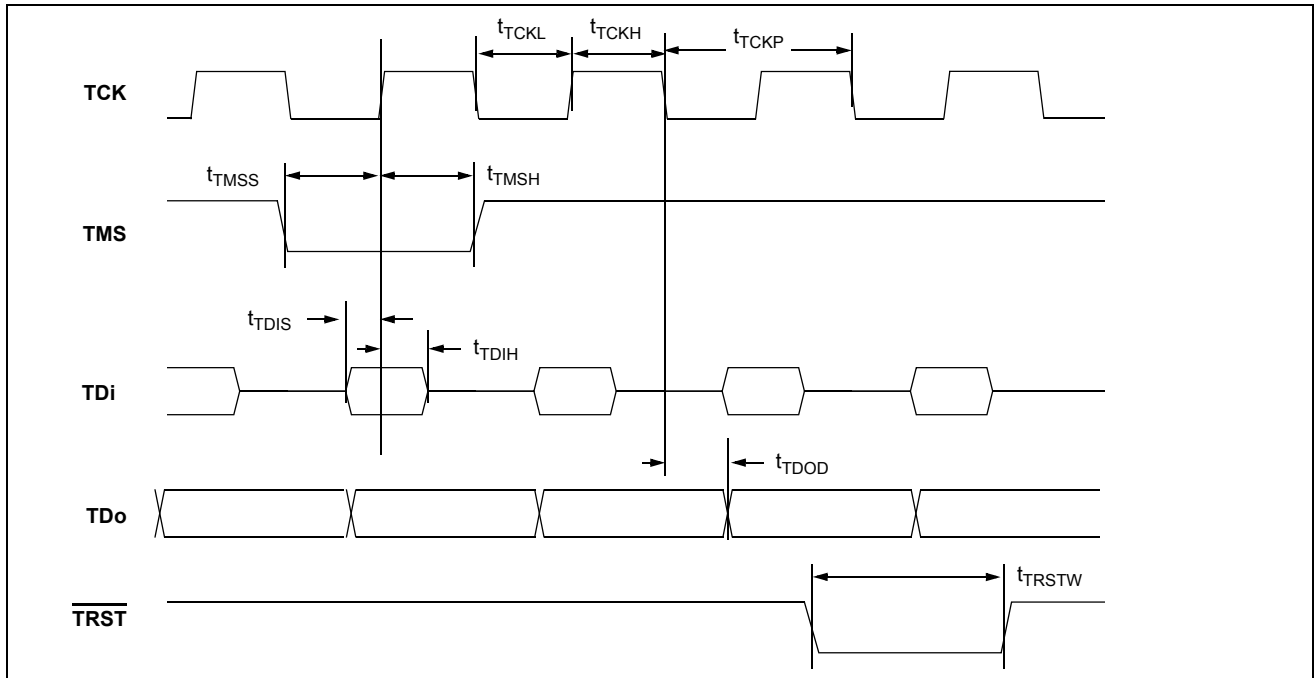


**Figure 27 - Intel Non-Multiplexed Bus Timing - Write Access**

**AC Electrical Characteristics<sup>†</sup> - JTAG Test Port Timing**

	Characteristic	Sym.	Min.	Typ.	Max.	Units	Notes
1	TCK Clock Period	$t_{TCKP}$	100			ns	
2	TCK Clock Pulse Width High	$t_{TCKH}$	20			ns	
3	TCK Clock Pulse Width Low	$t_{TCKL}$	20			ns	
4	TMS Set-up Time	$t_{TMSS}$	10			ns	
5	TMS Hold Time	$t_{TMSh}$	10			ns	
6	TDi Input Set-up Time	$t_{TDiS}$	20			ns	
7	TDi Input Hold Time	$t_{TDiH}$	60			ns	
8	TDo Output Delay	$t_{TDOD}$			30	ns	$C_L = 30 \text{ pF}$
9	TRST pulse width	$t_{TRSTW}$	200			ns	

<sup>†</sup> Characteristics are over recommended operating conditions unless otherwise stated.



**Figure 28 - JTAG Test Port Timing Diagram**

**AC Electrical Characteristics<sup>†</sup> - OSCi 20 MHz Input Timing**

	Characteristic	Sym.	Min.	Typ.	Max.	Units	Notes <sup>‡</sup>
1	Input frequency accuracy		-32 -100		32 100	ppm ppm	Stratum 4E Relaxed Stratum 4E
2	Duty cycle		40		60	%	1
3	Input rise or fall time	$t_{iR}, t_{iF}$			3	ns	14

<sup>†</sup> Characteristics are over recommended operating conditions unless otherwise stated.

<sup>‡</sup> See "Performance Characteristics Notes" on page 112.

**AC Electrical Characteristics<sup>†</sup> - FPi and CKi Timing when CKIN1-0 bits = 00 (16.384 MHz)**

	Characteristic	Sym.	Min.	Typ. <sup>‡</sup>	Max.	Units	Notes
1	FPi Input Frame Pulse Width	t <sub>FPIW</sub>	40	61	115	ns	
2	FPi Input Frame Pulse Setup Time	t <sub>FPIIS</sub>	20			ns	
3	FPi Input Frame Pulse Hold Time	t <sub>FPIIH</sub>	20			ns	
4	CKi Input Clock Period	t <sub>CKIP</sub>	55	61	67	ns	
5	CKi Input Clock High Time	t <sub>CKIH</sub>	27		34	ns	
6	CKi Input Clock Low Time	t <sub>CKIL</sub>	27		34	ns	
7	CKi Input Clock Rise/Fall Time	t <sub>rCKi</sub> , t <sub>fCKi</sub>			3	ns	
8	CKi Input Clock Cycle to Cycle Variation	t <sub>CVC</sub>	0		20	ns	

<sup>†</sup> Characteristics are over recommended operating conditions unless otherwise stated.

<sup>‡</sup> Typical figures are at 25°C and are for design aid only: not guaranteed and not subject to production testing.

**AC Electrical Characteristics<sup>†</sup> - FPi and CKi Timing when CKIN1-0 bits = 01 (8.192 MHz)**

	Characteristic	Sym.	Min.	Typ. <sup>‡</sup>	Max.	Units	Notes
1	FPi Input Frame Pulse Width	t <sub>FPIW</sub>	90	122	220	ns	
2	FPi Input Frame Pulse Setup Time	t <sub>FPIIS</sub>	45			ns	
3	FPi Input Frame Pulse Hold Time	t <sub>FPIIH</sub>	45			ns	
4	CKi Input Clock Period	t <sub>CKIP</sub>	110	122	135	ns	
5	CKi Input Clock High Time	t <sub>CKIH</sub>	55		69	ns	
6	CKi Input Clock Low Time	t <sub>CKIL</sub>	55		69	ns	
7	CKi Input Clock Rise/Fall Time	t <sub>rCKi</sub> , t <sub>fCKi</sub>			3	ns	
8	CKi Input Clock Cycle to Cycle Variation	t <sub>CVC</sub>	0		20	ns	

<sup>†</sup> Characteristics are over recommended operating conditions unless otherwise stated.

<sup>‡</sup> Typical figures are at 25°C and are for design aid only: not guaranteed and not subject to production testing.

**AC Electrical Characteristics<sup>†</sup> - FPi and CKi Timing when CKIN1-0 bits = 10 (4.096 MHz)**

	Characteristic	Sym.	Min.	Typ. <sup>‡</sup>	Max.	Units	Notes
1	FPi Input Frame Pulse Width	t <sub>FPIW</sub>	90	244	420	ns	
2	FPi Input Frame Pulse Setup Time	t <sub>FPIIS</sub>	110			ns	
3	FPi Input Frame Pulse Hold Time	t <sub>FPIIH</sub>	110			ns	
4	CKi Input Clock Period	t <sub>CKIP</sub>	220	244	270	ns	
5	CKi Input Clock High Time	t <sub>CKIH</sub>	110		135	ns	
6	CKi Input Clock Low Time	t <sub>CKIL</sub>	110		135	ns	
7	CKi Input Clock Rise/Fall Time	t <sub>rCKi</sub> , t <sub>fCKi</sub>			3	ns	
8	CKi Input Clock Cycle to Cycle Variation	t <sub>CVC</sub>	0		20	ns	

<sup>†</sup> Characteristics are over recommended operating conditions unless otherwise stated.

<sup>‡</sup> Typical figures are at 25°C and are for design aid only: not guaranteed and not subject to production testing.

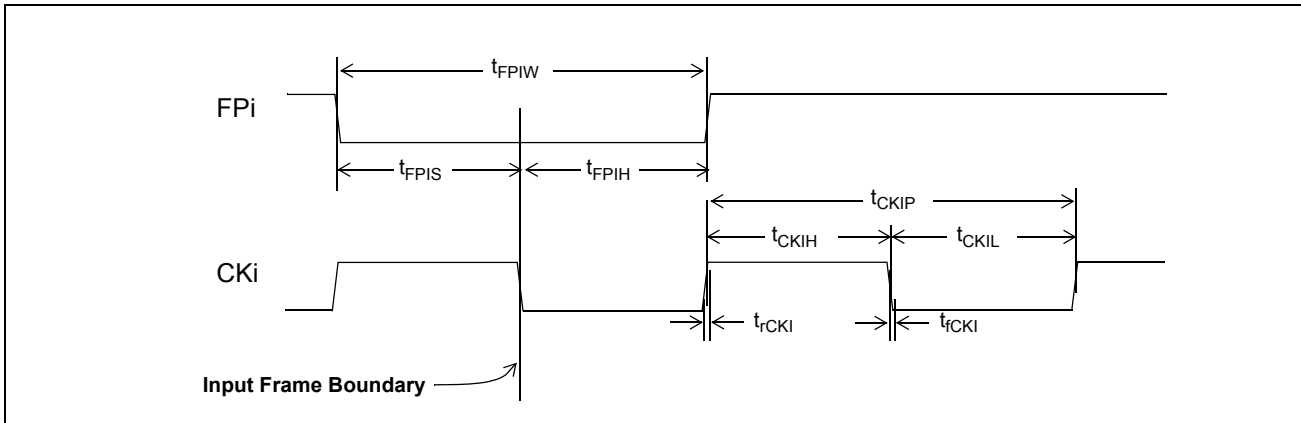


Figure 29 - Frame Pulse Input and Clock Input Timing Diagram (ST-BUS)

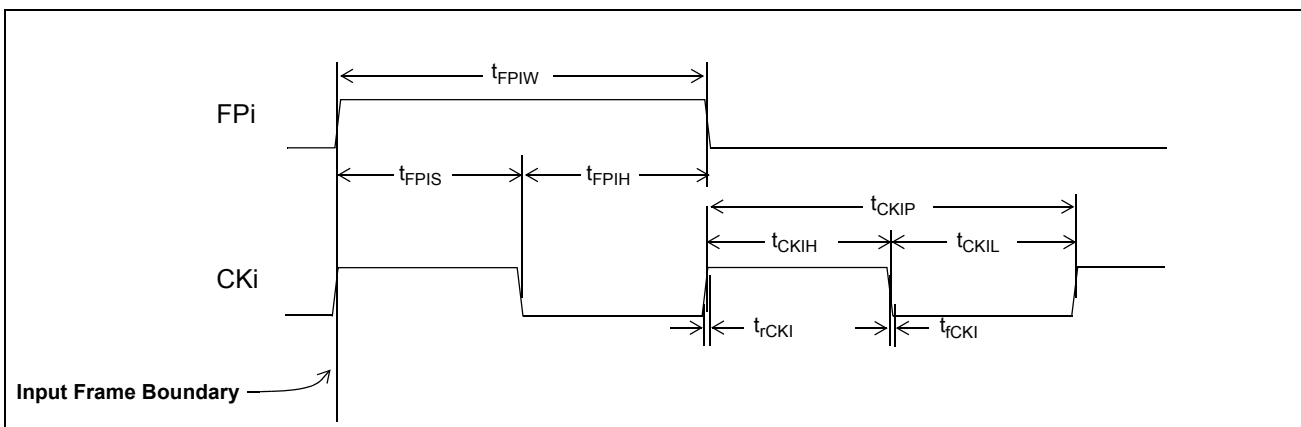
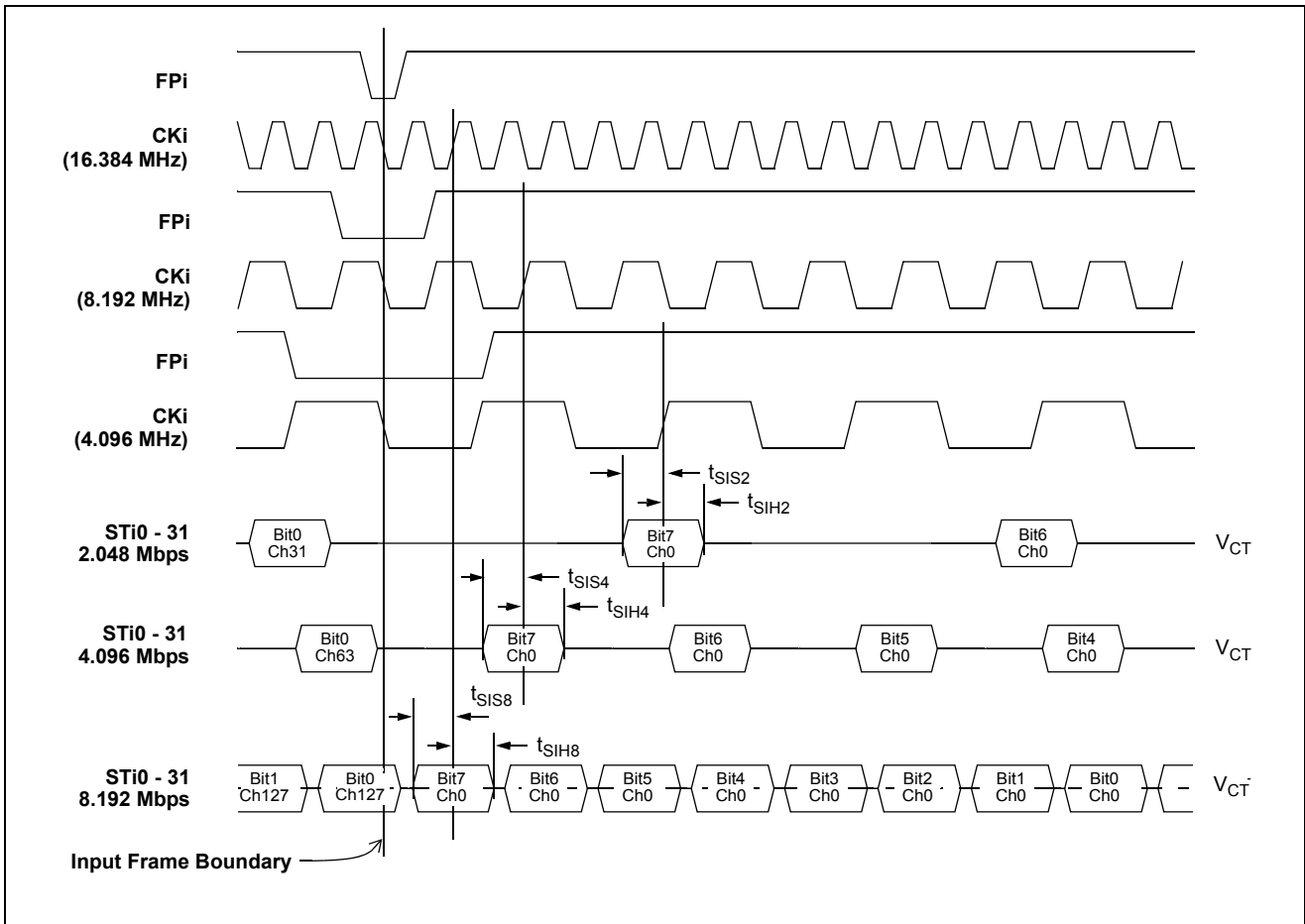


Figure 30 - Frame Pulse Input and Clock Input Timing Diagram (GCI-Bus)

**AC Electrical Characteristics<sup>†</sup> - ST-BUS/GCI-Bus Input Timing**

	Characteristic	Sym.	Min.	Typ.	Max.	Units	Test Conditions
1	STi Setup Time						
	2.048 Mbps	$t_{SIS2}$	5			ns	
	4.096 Mbps	$t_{SIS4}$	5			ns	
	8.192 Mbps	$t_{SIS8}$	5			ns	
2	STi Hold Time						
	2.048 Mbps	$t_{SIH2}$	8			ns	
	4.096 Mbps	$t_{SIH4}$	8			ns	
	8.192 Mbps	$t_{SIH8}$	8			ns	
	16.384 Mbps	$t_{SIH16}$	8			ns	

<sup>†</sup> Characteristics are over recommended operating conditions unless otherwise stated.



**Figure 31 - ST-BUS Input Timing Diagram when Operated at 2 Mbps, 4 Mbps, 8 Mbps**

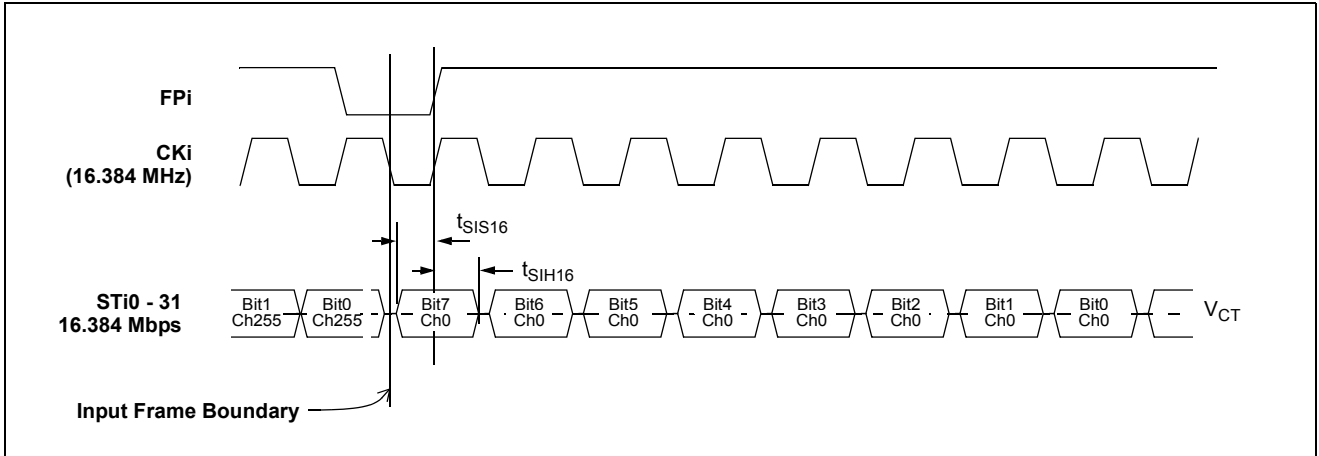


Figure 32 - ST-BUS Input Timing Diagram when Operated at 16 Mbps

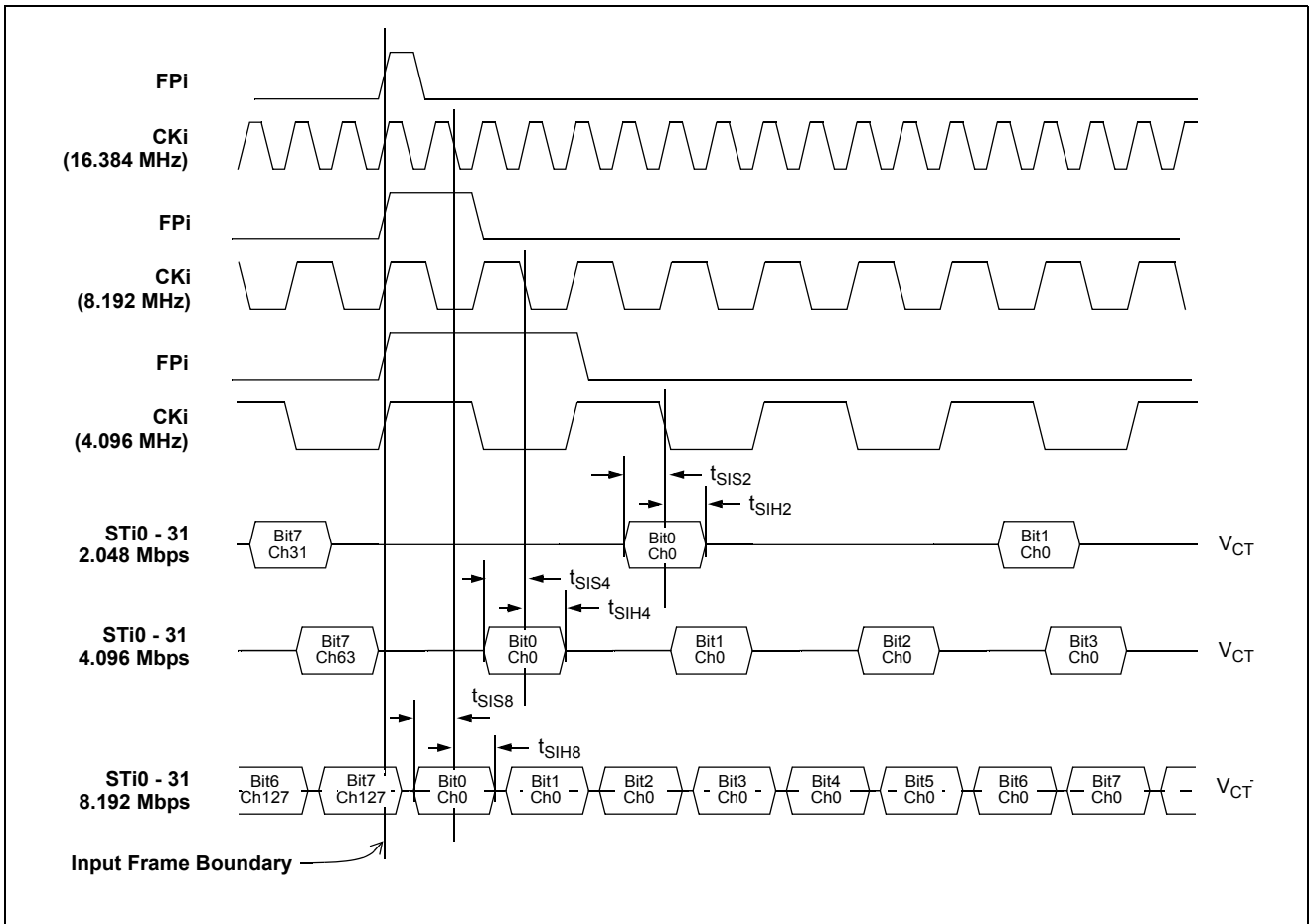


Figure 33 - GCI-Bus Input Timing Diagram when Operated at 2 Mbps, 4 Mbps, 8 Mbps



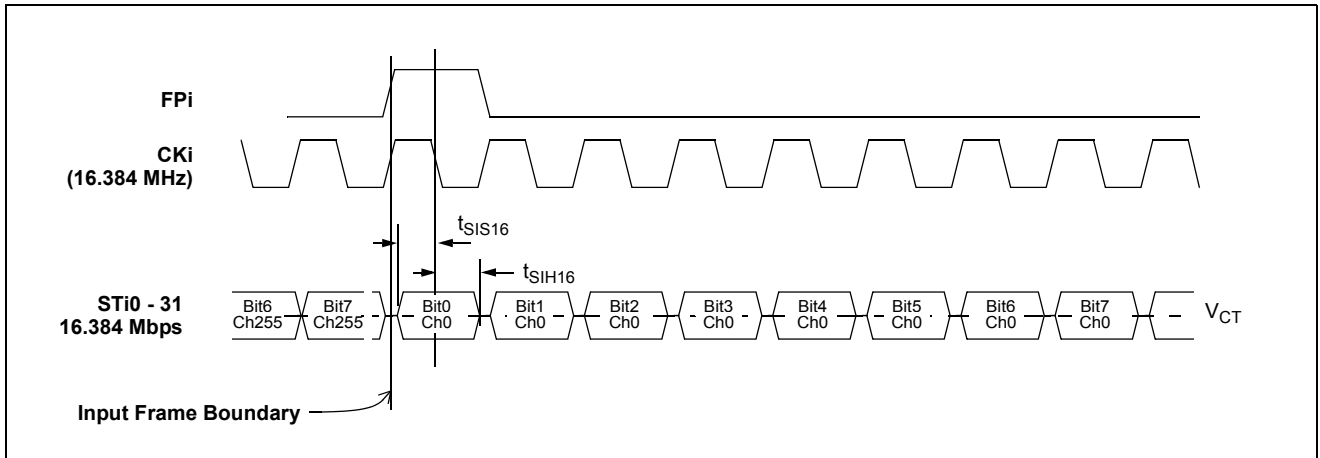
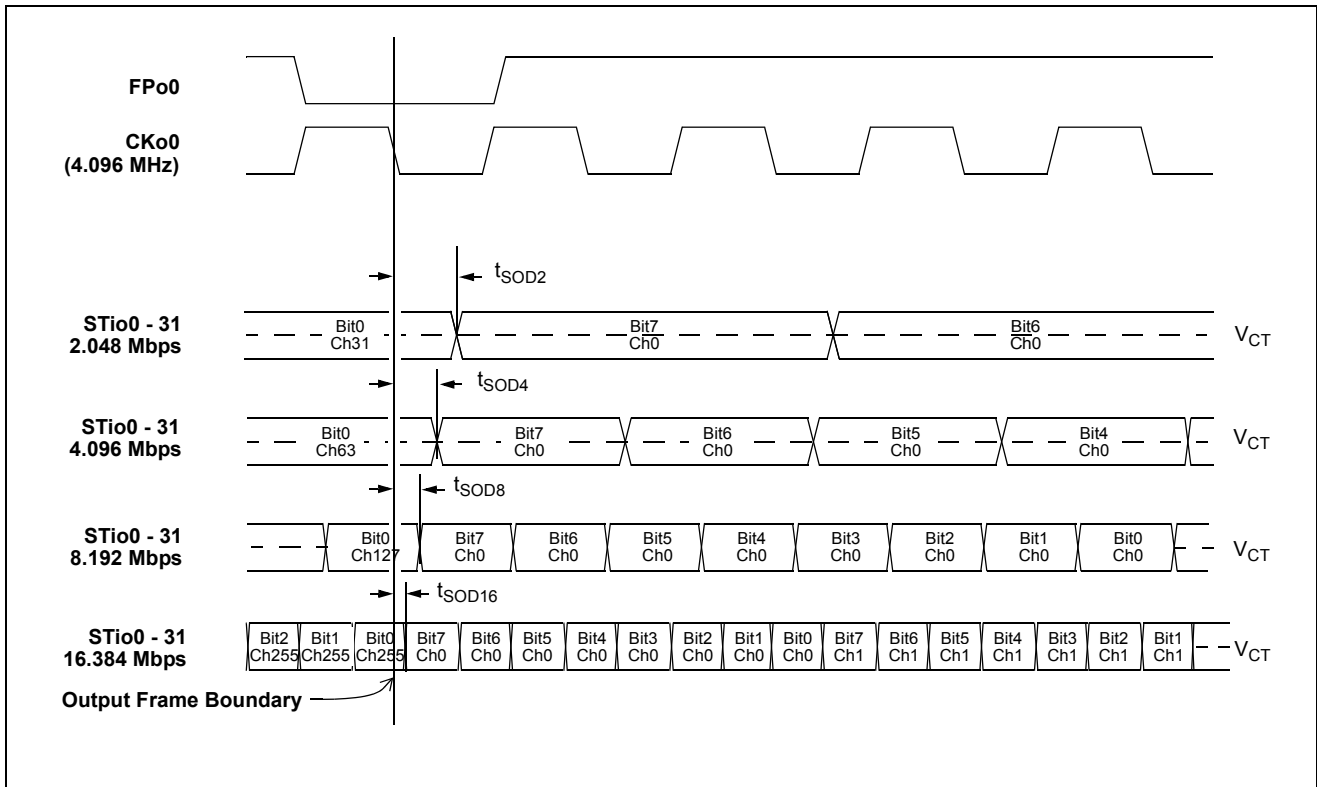


Figure 34 - GCI-Bus Input Timing Diagram when Operated at 16 Mbps

**AC Electrical Characteristics<sup>†</sup> - ST-BUS/GCI-Bus Output Timing**

	Characteristic	Sym.	Min.	Typ.	Max.	Units	Test Conditions
1	STIo Delay - Active to Active						$C_L = 30 \text{ pF}$
	@2.048 Mbps	$t_{SOD2}$	1		8	ns	Master Mode
	@4.096 Mbps	$t_{SOD4}$	1		8	ns	
	@8.192 Mbps	$t_{SOD8}$	1		8	ns	
	@16.384 Mbps	$t_{SOD16}$	1		8	ns	
	@2.048 Mbps	$t_{SOD2}$	0		6	ns	Multiplied Slave Mode
	@4.096 Mbps	$t_{SOD4}$	0		6	ns	
	@8.192 Mbps	$t_{SOD8}$	0		6	ns	
	@16.384 Mbps	$t_{SOD16}$	0		6	ns	
	@2.048 Mbps	$t_{SOD2}$	-6		0	ns	Divided Slave Mode
	@4.096 Mbps	$t_{SOD4}$	-6		0	ns	
	@8.192 Mbps	$t_{SOD8}$	-6		0	ns	
	@16.384 Mbps	$t_{SOD16}$	-6		0	ns	

<sup>†</sup> Characteristics are over recommended operating conditions unless otherwise stated.



**Figure 35 - ST-BUS Output Timing Diagram when Operated at 2, 4, 8 or 16 Mbps**

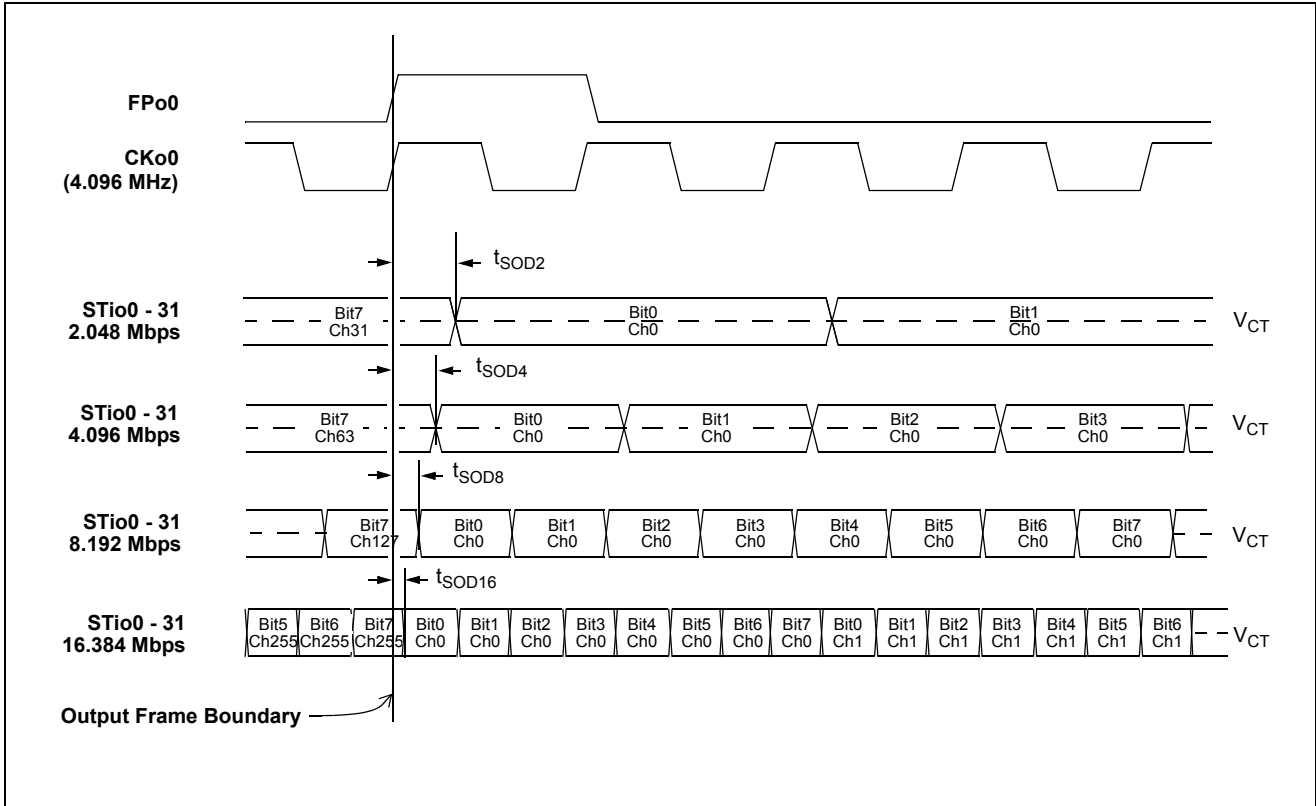


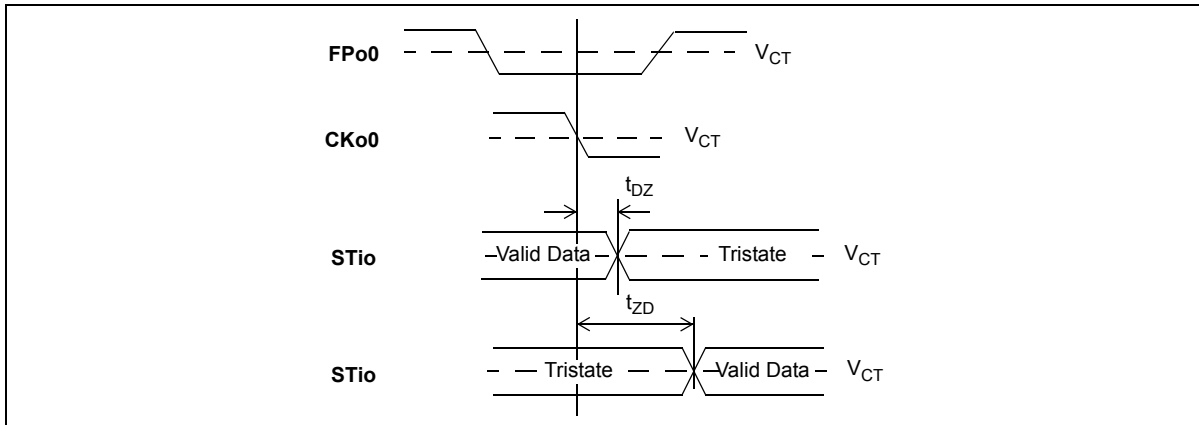
Figure 36 - GCI-Bus Output Timing Diagram when Operated at 2, 4, 8 or 16 Mbps

**AC Electrical Characteristics<sup>†</sup> - ST-BUS/GCI-Bus Output Tristate Timing**

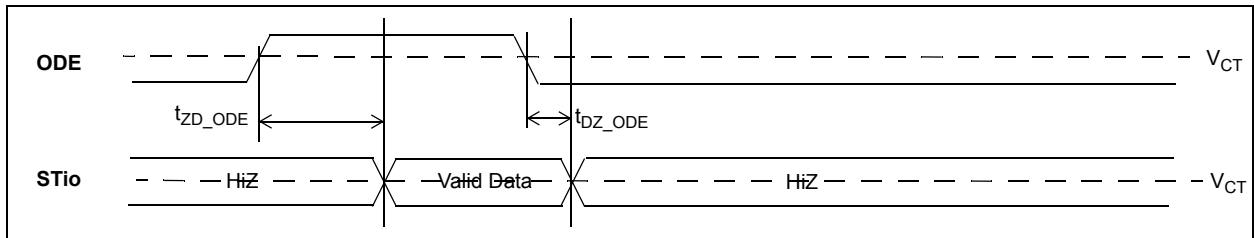
	Characteristic	Sym.	Min.	Typ.	Max.	Units	Test Conditions <sup>*</sup>
1	STio Delay - Active to High-Z	$t_{DZ}$	-2 -3 -8		8 7 0	ns ns ns	Master Mode Multiplied Slave Mode Divided Slave Mode
2	STio Delay - High-Z to Active	$t_{ZD}$	-2 -3 -8		8 7 0	ns ns ns	Master Mode Multiplied Slave Mode Divided Slave Mode
3	Output Drive Enable (ODE) Delay - High-Z to Active	$t_{ZD\_ODE}$			77 260 138 77	ns ns ns ns	Master or Multiplied Slave Mode  Divided Slave Mode
	CKi @ 4.096 MHz						
	CKi @ 8.192 MHz						
	CKi @ 16.384 MHz						
4	Output Drive Enable (ODE) Delay - Active to High-Z	$t_{DZ\_ODE}$			77 260 138 77	ns ns ns ns	Master or Multiplied Slave Mode  Divided Slave Mode
	CKi @ 4.096 MHz						
	CKi @ 8.192 MHz						
	CKi @ 16.384 MHz						

<sup>†</sup> Characteristics are over recommended operating conditions unless otherwise stated.

<sup>\*</sup> Test condition is  $R_L = 1\text{ k}$ ,  $C_L = 30\text{ pF}$ ; high impedance is measured by pulling to the appropriate rail with  $R_L$ , with timing corrected to cancel the time taken to discharge  $C_L$ .



**Figure 37 - Serial Output and External Control**

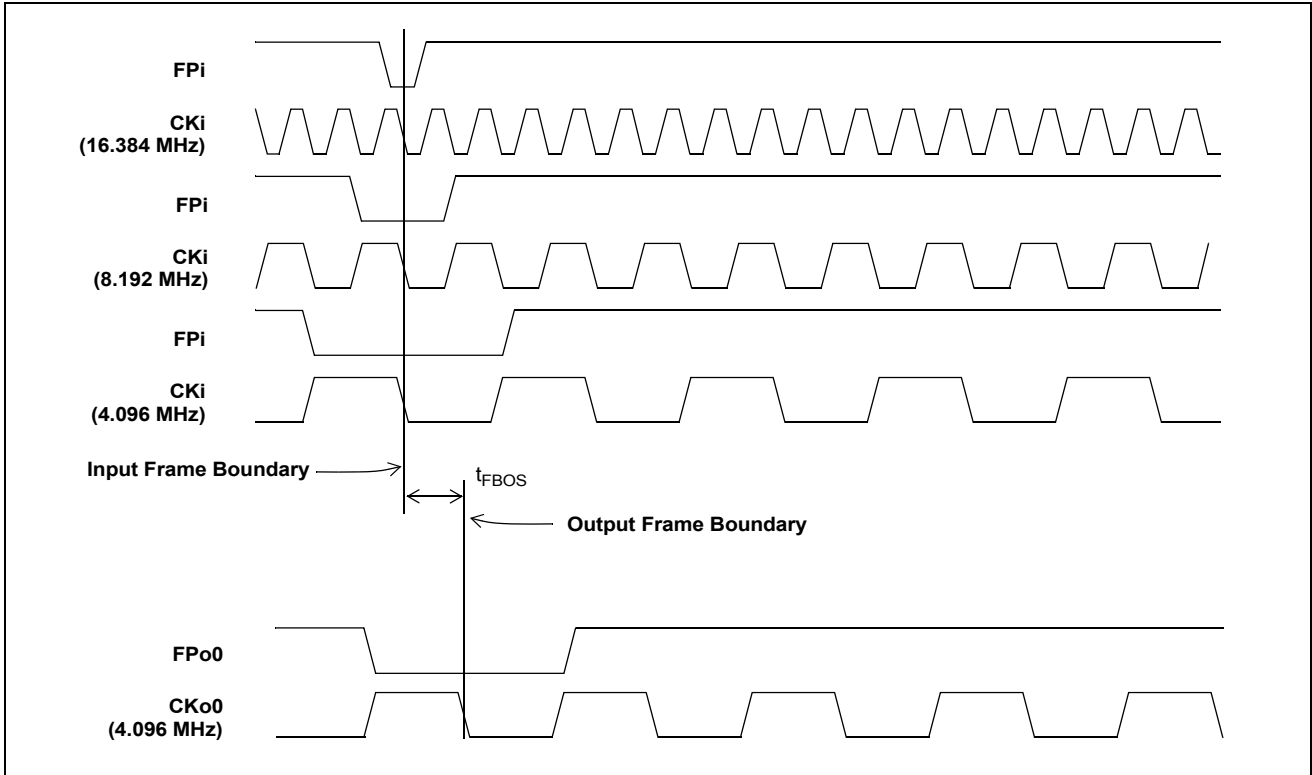


**Figure 38 - Output Drive Enable (ODE)**

**AC Electrical Characteristics<sup>†</sup> - Slave Mode Input/Output Frame Boundary Alignment**

	Characteristic	Sym.	Min.	Typ.	Max.	Units	Notes
1	Input and Output Frame Offset in Divided Slave Mode	t <sub>FBOS</sub>	5		13	ns	
2	Input and Output Frame Offset in Multiplied Slave Mode	t <sub>FBOS</sub>	2		10	ns	Input reference jitter is equal to zero.

<sup>†</sup> Characteristics are over recommended operating conditions unless otherwise stated.



**Figure 39 - Input and Output Frame Boundary Offset**

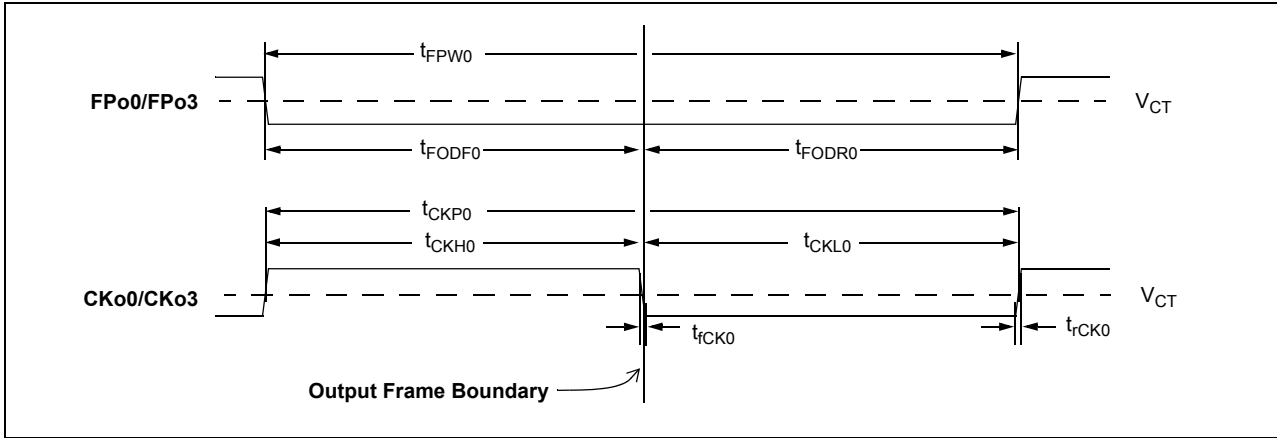


Figure 40 - FPo0 and CKo0 or FPo3 and CKo3 (4.096 MHz) Timing Diagram

**AC Electrical Characteristics<sup>†</sup> - FPo0 and CKo0 or FPo3 and CKo3 (4.096 MHz) Timing (Master Mode, Divided Slave Mode, or Multiplied Slave Mode with less than 10 ns of Cycle to Cycle Variation on CKi)**

	Characteristic	Sym.	Min.	Typ. <sup>‡</sup>	Max.	Units	Notes
1	FPo0 Output Pulse Width	$t_{FPW0}$	239	244	249	ns	$C_L = 30 \text{ pF}$
2	FPo0 Output Delay from the FPo0 falling edge to the output frame boundary	$t_{FODF0}$	117		127	ns	
3	FPo0 Output Delay from the output frame boundary to the FPo0 rising edge	$t_{FODR0}$	117		127	ns	
4	CKo0 Output Clock Period	$t_{CKP0}$	239	244	249	ns	$C_L = 30 \text{ pF}$
5	CKo0 Output High Time	$t_{CKH0}$	117		127	ns	
6	CKo0 Output Low Time	$t_{CKL0}$	117		127	ns	
7	CKo0 Output Rise/Fall Time	$t_{rCK0}, t_{fCK0}$			5	ns	

<sup>†</sup> Characteristics are over recommended operating conditions unless otherwise stated.

<sup>‡</sup> Typical figures are at 25°C and are for design aid only: not guaranteed and not subject to production testing.

**AC Electrical Characteristics<sup>†</sup> - FPo0 and CKo0 or FPo3 and CKo3 (4.096 MHz) Timing (Multiplied Slave Mode with more than 10 ns of Cycle to Cycle Variation on CKi)**

	Characteristic	Sym.	Min.	Typ. <sup>‡</sup>	Max.	Units	Notes
1	FPo0 Output Pulse Width	$t_{FPW0}$	218	244	270	ns	$C_L = 30 \text{ pF}$
2	FPo0 Output Delay from the FPo0 falling edge to the output frame boundary	$t_{FODF0}$	117		127	ns	
3	FPo0 Output Delay from the output frame boundary to the FPo0 rising edge	$t_{FODR0}$	97		146	ns	
4	CKo0 Output Clock Period	$t_{CKP0}$	218	244	270	ns	$C_L = 30 \text{ pF}$
5	CKo0 Output High Time	$t_{CKH0}$	117		127	ns	
6	CKo0 Output Low Time	$t_{CKL0}$	97		146	ns	
7	CKo0 Output Rise/Fall Time	$t_{rCK0}, t_{fCK0}$			5	ns	

<sup>†</sup> Characteristics are over recommended operating conditions unless otherwise stated.

<sup>‡</sup> Typical figures are at 25°C and are for design aid only: not guaranteed and not subject to production testing.

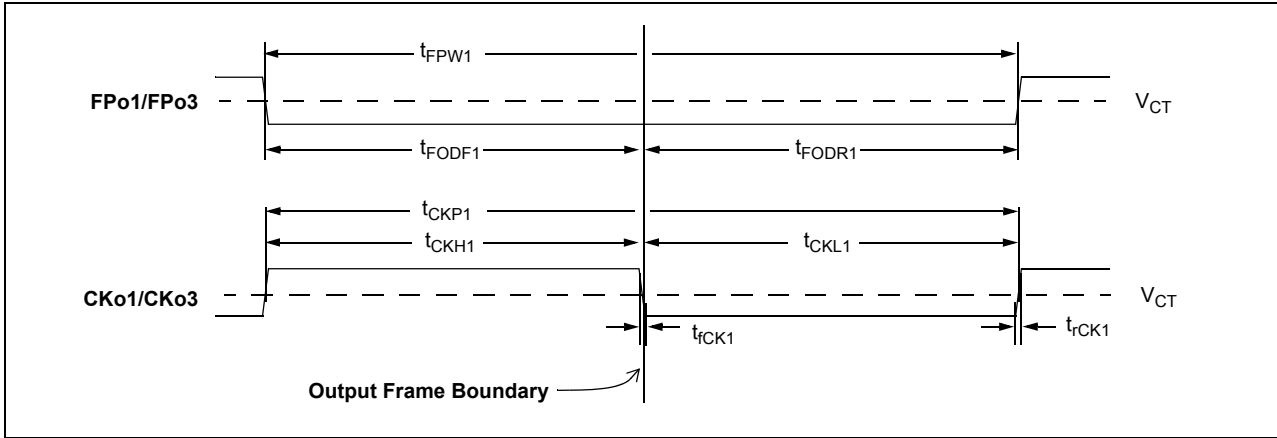


Figure 41 - FPo1 and CKo1 or FPo3 and CKo3 (8.192 MHz) Timing Diagram

**AC Electrical Characteristics<sup>†</sup> - FPo1 and CKo1 or FPo3 and CKo3 (8.192 MHz) Timing (Master Mode, Divided Slave Mode, or Multiplied Slave Mode with less than 10 ns of Cycle to Cycle Variation on CKi)**

	Characteristic	Sym.	Min.	Typ. <sup>‡</sup>	Max.	Units	Notes
1	FPo1 Output Pulse Width	$t_{FPW1}$	117	122	127	ns	$C_L = 30 \text{ pF}$
2	FPo1 Output Delay from the FPo1 falling edge to the output frame boundary	$t_{FODF1}$	56		66	ns	
3	FPo1 Output Delay from the output frame boundary to the FPo1 rising edge	$t_{FODR1}$	56		66	ns	
4	CKo1 Output Clock Period	$t_{CKP1}$	117	122	127	ns	$C_L = 30 \text{ pF}$
5	CKo1 Output High Time	$t_{CKH1}$	56		66	ns	
6	CKo1 Output Low Time	$t_{CKL1}$	56		66	ns	
7	CKo1 Output Rise/Fall Time	$t_{rCK1}, t_{fCK1}$			5	ns	

<sup>†</sup> Characteristics are over recommended operating conditions unless otherwise stated.

<sup>‡</sup> Typical figures are at 25°C and are for design aid only: not guaranteed and not subject to production testing.

**AC Electrical Characteristics<sup>†</sup> - FPo1 and CKo1 or FPo3 and CKo3 (8.192 MHz) Timing (Multiplied Slave Mode with more than 10 ns of Cycle to Cycle Variation on CKi)**

	Characteristic	Sym.	Min.	Typ. <sup>‡</sup>	Max.	Units	Notes
1	FPo1 Output Pulse Width	$t_{FPW1}$	106	122	127	ns	$C_L = 30 \text{ pF}$
2	FPo1 Output Delay from the FPo1 falling edge to the output frame boundary	$t_{FODF1}$	56		66	ns	
3	FPo1 Output Delay from the output frame boundary to the FPo1 rising edge	$t_{FODR1}$	46		66	ns	
4	CKo1 Output Clock Period	$t_{CKP1}$	106	122	148	ns	$C_L = 30 \text{ pF}$
5	CKo1 Output High Time	$t_{CKH1}$	46		87	ns	
6	CKo1 Output Low Time	$t_{CKL1}$	46		66	ns	
7	CKo1 Output Rise/Fall Time	$t_{rCK1}, t_{fCK1}$			5	ns	

<sup>†</sup> Characteristics are over recommended operating conditions unless otherwise stated.

<sup>‡</sup> Typical figures are at 25°C and are for design aid only: not guaranteed and not subject to production testing.

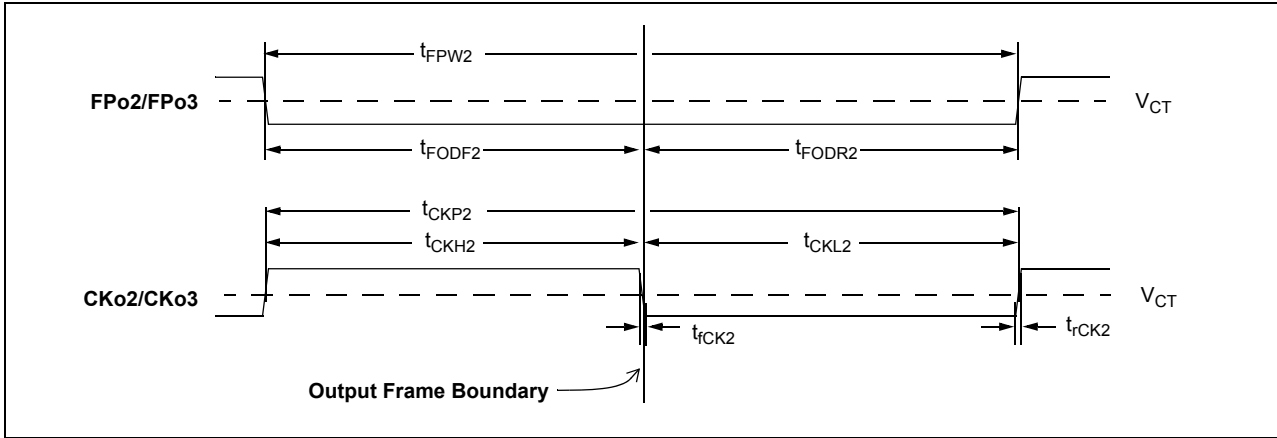


Figure 42 - FPo2 and CKo2 or FPo3 and CKo3 (16.384 MHz) Timing Diagram

**AC Electrical Characteristics<sup>†</sup> - FPo2 and CKo2 or FPo3 and CKo3 (16.384 MHz) Timing (Master Mode, Divided Slave Mode, or Multiplied Slave Mode with less than 10 ns of Cycle to Cycle Variation on CKi)**

	Characteristic	Sym.	Min.	Typ. <sup>‡</sup>	Max.	Units	Notes
1	FPo2 Output Pulse Width	$t_{FPW2}$	56	61	66	ns	$C_L = 30 \text{ pF}$
2	FPo2 Output Delay from the FPo2 falling edge to the output frame boundary	$t_{FODF2}$	25		36	ns	
3	FPo2 Output Delay from the output frame boundary to the FPo2 rising edge	$t_{FODR2}$	25		36	ns	
4	CKo2 Output Clock Period	$t_{CKP2}$	56	61	66	ns	$C_L = 30 \text{ pF}$
5	CKo2 Output High Time	$t_{CKH2}$	25		36	ns	
6	CKo2 Output Low Time	$t_{CKL2}$	25		36	ns	
7	CKo2 Output Rise/Fall Time	$t_{rCK2}, t_{fCK2}$			5	ns	

<sup>†</sup> Characteristics are over recommended operating conditions unless otherwise stated.

<sup>‡</sup> Typical figures are at 25°C and are for design aid only; not guaranteed and not subject to production testing.

**AC Electrical Characteristics<sup>†</sup> - FPo2 and CKo2 or FPo3 and CKo3 (16.384 MHz) Timing (Multiplied Slave Mode with more than 10 ns of Cycle to Cycle Variation on CKi)**

	Characteristic	Sym.	Min.	Typ. <sup>‡</sup>	Max.	Units	Notes
1	FPo2 Output Pulse Width	$t_{FPW2}$	56	61	66	ns	$C_L = 30 \text{ pF}$
2	FPo2 Output Delay from the FPo2 falling edge to the output frame boundary	$t_{FODF2}$	25		36	ns	
3	FPo2 Output Delay from the output frame boundary to the FPo2 rising edge	$t_{FODR2}$	25		36	ns	
4	CKo2 Output Clock Period	$t_{CKP2}$	47	61	76	ns	$C_L = 30 \text{ pF}$
5	CKo2 Output High Time	$t_{CKH2}$	17		43	ns	
6	CKo2 Output Low Time	$t_{CKL2}$	17		43	ns	
7	CKo2 Output Rise/Fall Time	$t_{rCK2}, t_{fCK2}$			5	ns	

<sup>†</sup> Characteristics are over recommended operating conditions unless otherwise stated.

<sup>‡</sup> Typical figures are at 25°C and are for design aid only; not guaranteed and not subject to production testing.



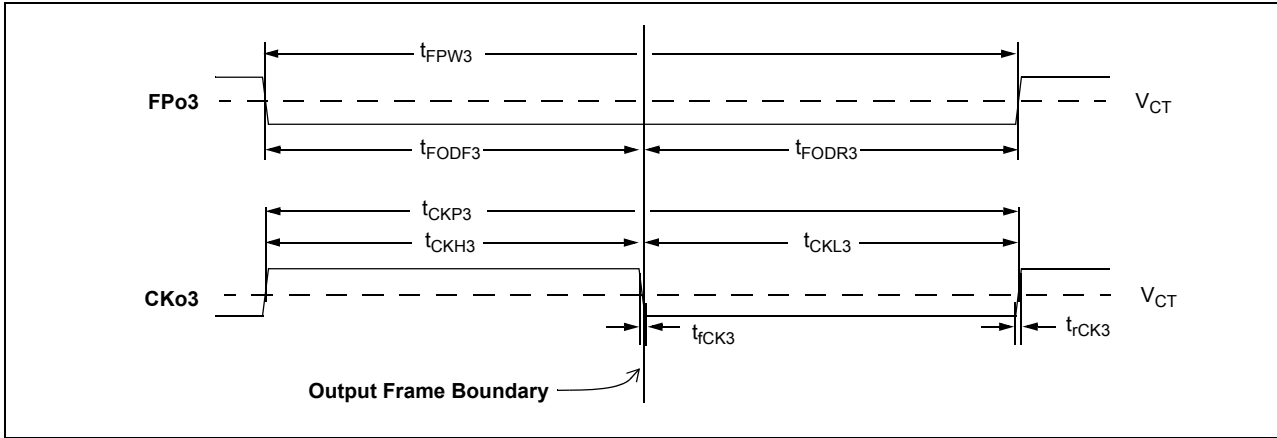


Figure 43 - FPo3 and CKo3 (32.768 MHz) Timing Diagram

**AC Electrical Characteristics<sup>†</sup> - FPo3 and CKo3 (32.768 MHz) Timing (Master Mode, Divided Slave Mode, or Multiplied Slave Mode with less than 10 ns of Cycle to Cycle Variation on CKi)**

	Characteristic	Sym.	Min.	Typ. <sup>‡</sup>	Max.	Units	Notes
1	FPo3 Output Pulse Width	$t_{FPW3}$	27	30.5	34	ns	$C_L = 30 \text{ pF}$
2	FPo3 Output Delay from the FPo3 falling edge to the output frame boundary	$t_{FODF3}$	10		18	ns	
3	FPo3 Output Delay from the output frame boundary to the FPo3 rising edge	$t_{FODR3}$	12		21	ns	
4	CKo3 Output Clock Period	$t_{CKP3}$	27	30.5	34	ns	$C_L = 30 \text{ pF}$
5	CKo3 Output High Time	$t_{CKH3}$	12		19	ns	
6	CKo3 Output Low Time	$t_{CKL3}$	12		19	ns	
7	CKo3 Output Rise/Fall Time	$t_{rCK3}, t_{fCK3}$			5	ns	

<sup>†</sup> Characteristics are over recommended operating conditions unless otherwise stated.

<sup>‡</sup> Typical figures are at 25°C and are for design aid only; not guaranteed and not subject to production testing.

**AC Electrical Characteristics<sup>†</sup> - FPo3 and CKo3 (32.768 MHz) Timing (Multiplied Slave Mode with more than 10 ns of Cycle to Cycle Variation on CKi)**

	Characteristic	Sym.	Min.	Typ. <sup>‡</sup>	Max.	Units	Notes
1	FPo3 Output Pulse Width	$t_{FPW3}$	27	30.5	34	ns	$C_L = 30 \text{ pF}$
2	FPo3 Output Delay from the FPo3 falling edge to the output frame boundary	$t_{FODF3}$	12		19	ns	
3	FPo3 Output Delay from the output frame boundary to the FPo3 rising edge	$t_{FODR3}$	12		19	ns	
4	CKo3 Output Clock Period	$t_{CKP3}$	17	30.5	44	ns	$C_L = 30 \text{ pF}$
5	CKo3 Output High Time	$t_{CKH3}$	5		29	ns	
6	CKo3 Output Low Time	$t_{CKL3}$	12		18	ns	
7	CKo3 Output Rise/Fall Time	$t_{rCK3}, t_{fCK3}$			5	ns	

<sup>†</sup> Characteristics are over recommended operating conditions unless otherwise stated.

<sup>‡</sup> Typical figures are at 25°C and are for design aid only; not guaranteed and not subject to production testing.

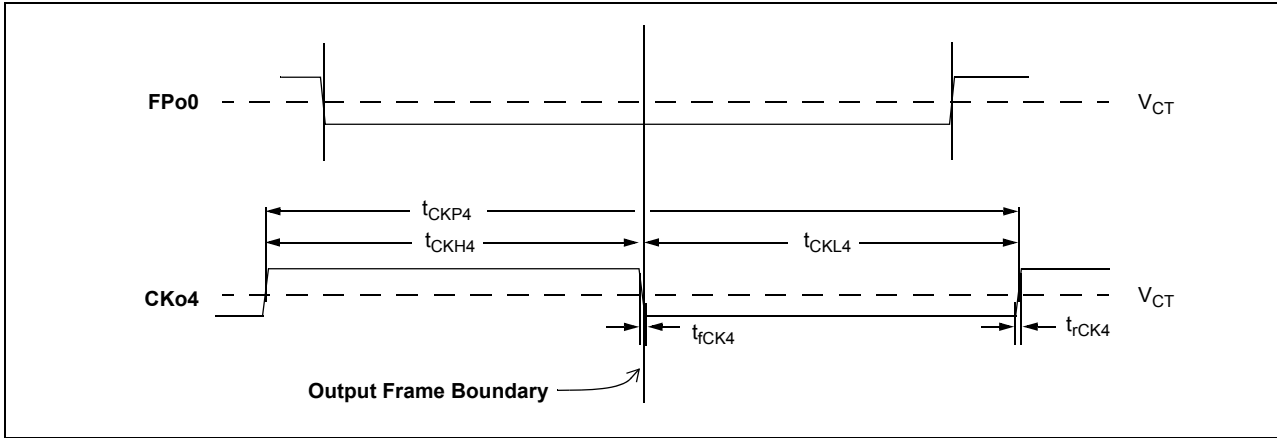


Figure 44 - FPo4 and CKo4 Timing Diagram (1.544/2.048 MHz)

AC Electrical Characteristics<sup>†</sup> - CKo4 (1.544 MHz) Timing (Only when DPLL is active)

	Characteristic	Sym.	Min.	Typ. <sup>‡</sup>	Max.	Units	Notes
1	CKo4 Output Clock Period	$t_{CKP4}$	645	648	650	ns	$C_L = 30 \text{ pF}$
2	CKo4 Output High Time	$t_{CKH4}$	320	324	327	ns	
3	CKo4 Output Low Time	$t_{CKL4}$	320	324	327	ns	
4	CKo4 Output Rise/Fall Time	$t_{rCK4}, t_{fCK4}$			5	ns	

<sup>†</sup> Characteristics are over recommended operating conditions unless otherwise stated.

<sup>‡</sup> Typical figures are at 25°C and are for design aid only: not guaranteed and not subject to production testing.

AC Electrical Characteristics<sup>†</sup> - CKo4 (2.048 MHz) Timing (Only when DPLL is active)

	Characteristic	Sym.	Min.	Typ. <sup>‡</sup>	Max.	Units	Notes
1	CKo4 Output Clock Period	$t_{CKP4}$	485	488	492	ns	$C_L = 30 \text{ pF}$
2	CKo4 Output High Time	$t_{CKH4}$	241	244	247	ns	
3	CKo4 Output Low Time	$t_{CKL4}$	241	244	247	ns	
4	CKo4 Output Rise/Fall Time	$t_{rCK4}, t_{fCK4}$			5	ns	

<sup>†</sup> Characteristics are over recommended operating conditions unless otherwise stated.

<sup>‡</sup> Typical figures are at 25°C and are for design aid only: not guaranteed and not subject to production testing.

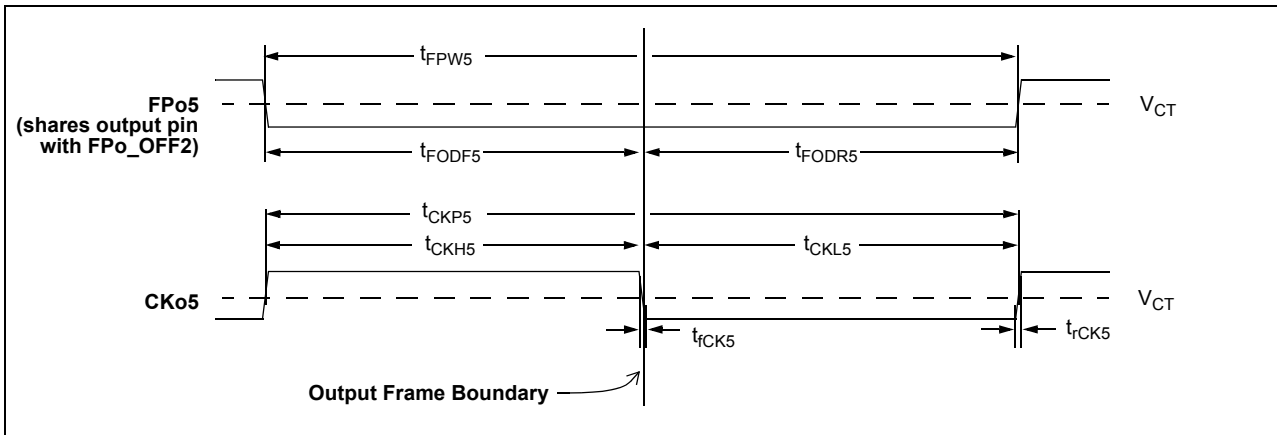


Figure 45 - CKo5 Timing Diagram (19.44 MHz)

**AC Electrical Characteristics<sup>†</sup> - CKo5 (19.44 MHz) Timing (Only when DPLL is active)**

	Characteristic	Sym.	Min.	Typ. <sup>‡</sup>	Max.	Units	Notes
1	FPo5 Output Pulse Width	$t_{FPW5}$	49	51	55	ns	C <sub>L</sub> = 30 pF
2	FPo5 Output Delay from the FPo5 falling edge to the output frame boundary	$t_{FODF5}$	22	25	28	ns	
3	FPo5 Output Delay from the output frame boundary to the FPo5 rising edge	$t_{FODR5}$	21	25	32	ns	
4	CKo5 Output Clock Period	$t_{CKP5}$	50	51	53	ns	
5	CKo5 Output High Time	$t_{CKH5}$	23	25	27	ns	
6	CKo5 Output Low Time	$t_{CKL5}$	24	25	28	ns	
7	CKo5 Output Rise/Fall Time	$t_{rCK5}, t_{fCK5}$			5	ns	

<sup>†</sup> Characteristics are over recommended operating conditions unless otherwise stated.

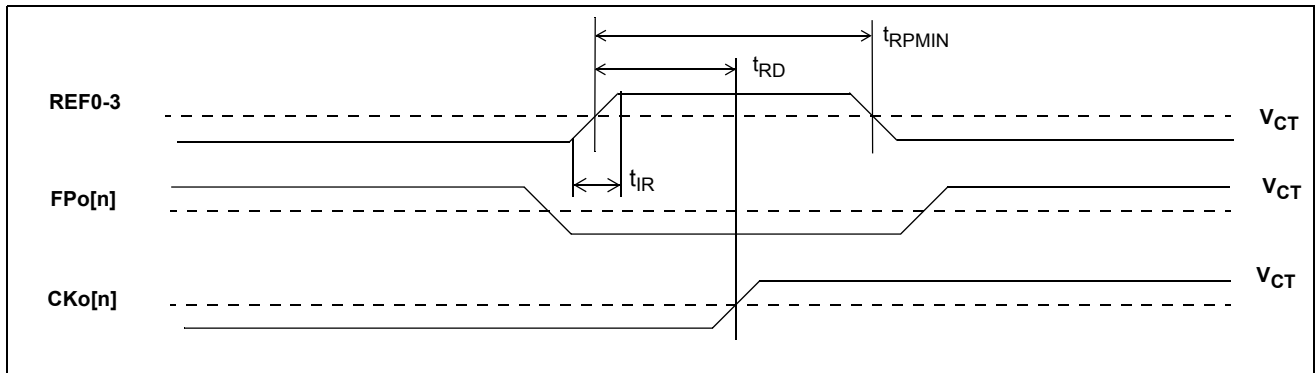
<sup>‡</sup> Typical figures are at 25°C and are for design aid only: not guaranteed and not subject to production testing.

**AC Electrical Characteristics<sup>†</sup> - REF0-3 Reference Input to CKo Output Timing**

	Characteristic	Sym.	Min.	Max.	Units	Notes‡
1	Minimum Input Pulse Width High or Low	$t_{RPMIN}$	16		ns	1,2,3,14
2	Input Rise or Fall Time	$t_{IR}$ , (or $t_{IF}$ )		5	ns	
3	REF input to CKo0 output delay (no input jitter) REF @ 8 kHz, 2.048, 4.096, 8.192, 16.384 MHz REF @ 1.544 MHz REF @ 19.44 MHz	$t_{RD}$	-7 6 -10	0 15 -2	ns ns ns	

† Characteristics are over recommended operating conditions unless otherwise stated.

‡ See "Performance Characteristics Notes" on page 112.



**Figure 46 - REF0 - 3 Reference Input/Output Timing**

**AC Electrical Characteristics<sup>†</sup> - Master Mode Output Timing**

	Characteristic	Sym.	Min.	Max.	Units	Notes‡
1	CKo0 to CKo1 (8.192 MHz) delay	t <sub>C1D</sub>	-1	2	ns	1-5,14
2	CKo0 to CKo2 (16.384 MHz) delay	t <sub>C2D</sub>	-1	3	ns	
3	CKo0 to CKo3 (32.768 MHz/16.384 MHz/8.192 MHz/4.096 MHz) delay	t <sub>C3D</sub>	-4	0	ns	
4	CKo0 to CKo4 (1.544 MHz/2.048 MHz) delay CKo4 @ 1.544 MHz CKo4 @ 2.048 MHz	t <sub>C4D</sub>	-12	-7	ns	
			-2	3	ns	
5	CKo0 to CKo5 (19.44 MHz) delay	t <sub>C5D</sub>	6	12	ns	

† Characteristics are over recommended operating conditions unless otherwise stated.

‡ See "Performance Characteristics Notes" on page 112.

**AC Electrical Characteristics<sup>†</sup> - Divided Slave Mode Output Timing**

	Characteristic	Sym.	Min.	Max.	Units	Notes‡
1	CKo0 to CKo1 (8.192 MHz) delay	t <sub>C1D</sub>	-1	2	ns	1-5,14
2	CKo0 to CKo2 (16.384 MHz) delay	t <sub>C2D</sub>	-1	3	ns	
3	CKo0 to CKo3 (16.384 MHz/8.192 MHz/4.096 MHz) delay	t <sub>C3D</sub>	-2	2	ns	

† Characteristics are over recommended operating conditions unless otherwise stated.

‡ See "Performance Characteristics Notes" on page 112.

**AC Electrical Characteristics<sup>†</sup> - Multiplied Slave Mode Output Timing**

	Characteristic	Sym.	Min.	Max.	Units	Notes‡
1	CKo0 to CKo1 (8.192 MHz) delay	t <sub>C1D</sub>	-1	2	ns	1-5,14
2	CKo0 to CKo2 (16.384 MHz) delay	t <sub>C2D</sub>	-1	3	ns	
3	CKo0 to CKo3 (32.768 MHz/16.384 MHz/8.192 MHz/4.096 MHz) delay	t <sub>C3D</sub>	-1	3	ns	

† Characteristics are over recommended operating conditions unless otherwise stated.

‡ See "Performance Characteristics Notes" on page 112.

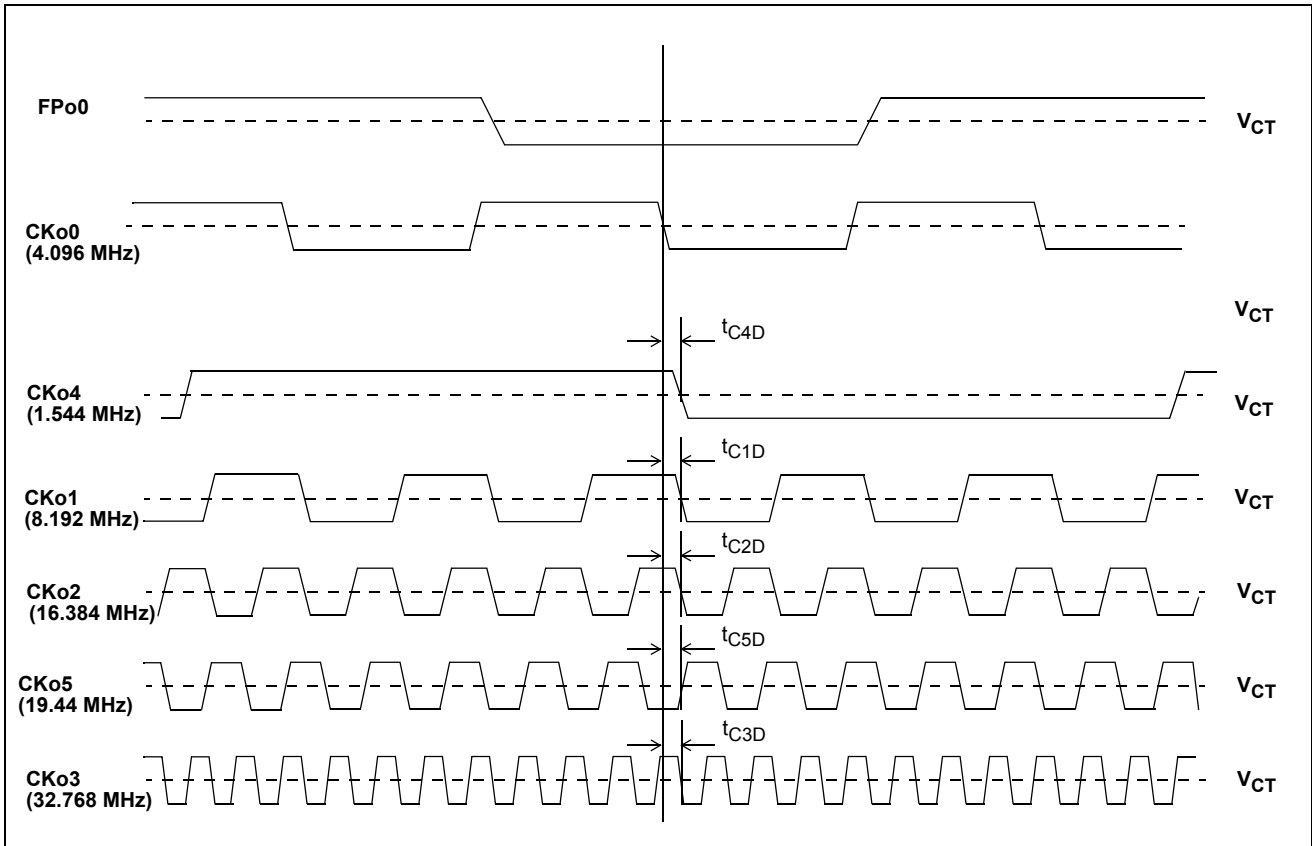


Figure 47 - Output Timing (ST-BUS Format)

**DPLL Performance Characteristics<sup>†</sup> - Accuracy & Switching**

	Characteristics	Min.	Max.	Units	Conditions/ Notes <sup>‡</sup>
1	Freerun Accuracy	-0.003	0	ppm	1,5,7
2	Initial Holdover Frequency Stability	-0.03	0.03	ppm	1,4,8
3	Pull-in/Hold-in Range (Stratum 4E)	-260	260	ppm	1,3,7,9
4	Reference Far Hysteresis Limit (Stratum 4E)	-82.5	82.5	ppm	1,3,7,9,12
5	Reference Near Hysteresis Limit (Stratum 4E)	-64.5	64.5	ppm	
6	Reference Far Hysteresis Limit (Relaxed Stratum 4E)	-248	248	ppm	1,3,7,9,13
7	Reference Near Hysteresis Limit (Relaxed Stratum 4E)	-242	242	ppm	
8	Output phase continuity for reference switch <sup>1</sup>		31	ns	11
9	Normal output phase alignment speed (phase slope)		56	μs/s	10
10	Normal phase lock time <sup>2</sup>		75	s	1,3,7,9,10

1. Reference switching to normal, holdover, or freerun mode

2. -32 to +32 ppm locking

<sup>†</sup> Characteristics are over recommended operating conditions unless otherwise stated.

<sup>‡</sup> See "Performance Characteristics Notes" on page 112.

**DPLL Performance Characteristics<sup>†</sup> - Output Jitter Generation (Unfiltered except for CKo5)**

	Characteristics	Typ. <sup>‡</sup>	Units	Conditions/Notes*
1	Jitter at CKo0 and CKo3 (4.096 MHz)	810	ps-pp	1-6,14
2	Jitter at CKo1 and CKo3 (8.192 MHz)	800	ps-pp	
3	Jitter at CKo2 and CKo3 (16.384 MHz)	710	ps-pp	
4	Jitter at CKo3 (4.096, 8.192, 16.384, or 32.768 MHz)	670	ps-pp	
5	Jitter at CKo4 (1.544 MHz or 2.048 MHz)	1060	ps-pp	
	1.544 MHz	630	ps-pp	
6	Jitter at CKo5 (19.44 MHz)	770	ps-pp	
	unfiltered jitter	540	ps-pp	
	500 Hz - 1.3 MHz jitter	460	ps-pp	
	65 kHz - 1.3 MHz jitter	510	ps-pp	
	12 kHz - 1.3 MHz jitter			

<sup>†</sup> Characteristics are over recommended operating conditions unless otherwise stated.

<sup>‡</sup> Typical figures are at 25°C and are for design aid only; not guaranteed and not subject to production testing.

\* See "Performance Characteristics Notes" on page 112

---

## Performance Characteristics Notes

† Characteristics are over recommended operating conditions unless otherwise stated.

‡ Typical figures are at 25°C,  $V_{DD\_CORE}$  at 1.8 V and  $V_{DD\_IO}$  at 3.3 V and are for design aid only: not guaranteed and not subject to production testing.

1. Jitter on master clock input (XIN) is 100 ps pp or less.
2. Jitter on reference input (REF0-3) is 2 ns pp or less.
3. Normal Mode selected.
4. Holdover Mode selected.
5. Freerun Mode selected.
6. Jitter is measured without an output filter.
7. Accuracy of master clock input (XIN) is 0 ppm.
8. Accuracy of master clock input (XIN) is 100 ppm.
9. Capture range is +/-260 ppm; inaccuracy of XIN shifts this range.
10. Phase alignment speed (phase slope) is programmed to 7 ns/125µs.
11. Any input reference switch or state switch (i.e. REF0 to REF3, Normal to Holdover, etc.).
12. Multi-period near limits and far limits are programmed to +/-64.713 ppm & +/-82.487 ppm respectively. (ST4\_LIM = 1)
13. Multi-period near limits and far limits are programmed to +/-240 ppm & +/-250 ppm respectively. (ST4\_LIM = 0)
14. 30 pF load on output pin.



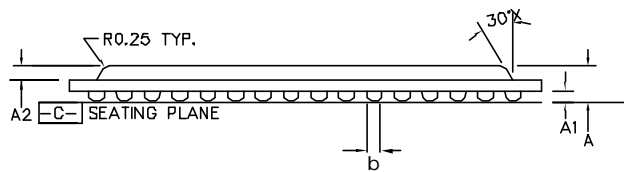
TOP VIEW



BOTTOM VIEW



DIMENSION	MIN	MAX
A	1.42	1.80
A1	0.30	0.50
A2	0.85 REF	
D	16.80	17.20
D1	14.80	15.20
E	16.80	17.20
E1	14.80	15.20
b	0.40	0.60
e	1.00	
N	256	
Conforms to JEDEC MS-034		



SIDE VIEW

NOTES: -

1. Controlling dimensions are in MM.
2. Seating plane is defined by the spherical crown of the solder balls.
3. Not to scale.
4. N is the number of solder balls
5. Substrate thickness is 0.36 MM.

© Zarlink Semiconductor 2003 All rights reserved.

ISSUE	1			
ACN	214440			
DATE	26June03			
APPRD.				



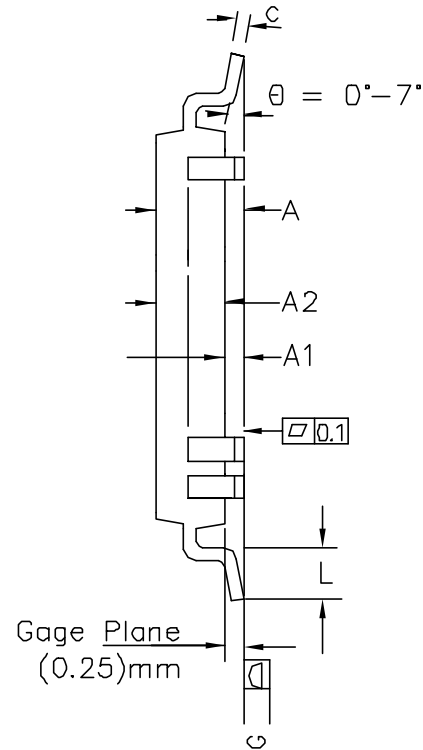
Previous package codes

BP/G

Package Code GA

Package Outline for  
256ball BGA  
17x17x1.61mm

GPD00842



Symbol	Control Dimensions in millimetres		Altern. Dimensions in inches	
	MIN	MAX	MIN	MAX
A	—	1.60	—	0.063
A1	0.05	0.15	0.002	0.006
A2	1.35	1.45	0.053	0.057
D	30.00 BSC		1.181 BSC	
D1	28.00 BSC		1.102 BSC	
E	30.00 BSC		1.181 BSC	
E1	28.00 BSC		1.102 BSC	
L	0.45	0.75	0.018	0.029
e	0.40 BSC		0.016 BSC	
b	0.13	0.23	0.005	0.009
c	0.09	0.20	0.003	0.008
Pin features				
N	256			
ND	64			
NE	64			
NOTE	SQUARE			

Conforms to JEDEC MS-026 BJC Iss. D

- Notes:
1. Pin 1 indicator may be a corner chamfer, dot or both, located within a zone of dimension  $E1/4 \times D1/4$  from the index corner
  2. All dimensioning and tolerancing conform to ANSI Y14.5-1982.
  3. Dimensions D1 and E1 do not include mold protrusion – allowable mold protrusion is 0.254 mm on D1 and E1 dimensions.
  4. "N" is the total number of terminals
  5. Package top dimensions are smaller than bottom dimensions and top of package will not overhang bottom of package
  6. Dimension b does not include Dambar protrusion.
  7. Controlling Dimensions are in Millimeter
  8. A1 is defined as the distance from the seating plane to the lowest point of the package body

© Zarlink Semiconductor 2003 All rights reserved.						Package Code	QC
ISSUE	1	2	3	4		Previous package codes	Package Outline for 256 lead LQFP (28 x 28 x 1.4mm) 2.0mm Footprint
ACN	214172	214382				GP	
DATE	27Mar03	12June03					
APPRD.						GPD00837	



**For more information about all Zarlink products  
visit our Web Site at  
[www.zarlink.com](http://www.zarlink.com)**

Information relating to products and services furnished herein by Zarlink Semiconductor Inc. or its subsidiaries (collectively "Zarlink") is believed to be reliable. However, Zarlink assumes no liability for errors that may appear in this publication, or for liability otherwise arising from the application or use of any such information, product or service or for any infringement of patents or other intellectual property rights owned by third parties which may result from such application or use. Neither the supply of such information or purchase of product or service conveys any license, either express or implied, under patents or other intellectual property rights owned by Zarlink or licensed from third parties by Zarlink, whatsoever. Purchasers of products are also hereby notified that the use of product in certain ways or in combination with Zarlink, or non-Zarlink furnished goods or services may infringe patents or other intellectual property rights owned by Zarlink.

This publication is issued to provide information only and (unless agreed by Zarlink in writing) may not be used, applied or reproduced for any purpose nor form part of any order or contract nor to be regarded as a representation relating to the products or services concerned. The products, their specifications, services and other information appearing in this publication are subject to change by Zarlink without notice. No warranty or guarantee express or implied is made regarding the capability, performance or suitability of any product or service. Information concerning possible methods of use is provided as a guide only and does not constitute any guarantee that such methods of use will be satisfactory in a specific piece of equipment. It is the user's responsibility to fully determine the performance and suitability of any equipment using such information and to ensure that any publication or data used is up to date and has not been superseded. Manufacturing does not necessarily include testing of all functions or parameters. These products are not suitable for use in any medical products whose failure to perform may result in significant injury or death to the user. All products and materials are sold and services provided subject to Zarlink's conditions of sale which are available on request.

Purchase of Zarlink's I<sup>2</sup>C components conveys a licence under the Philips I<sup>2</sup>C Patent rights to use these components in and I<sup>2</sup>C System, provided that the system conforms to the I<sup>2</sup>C Standard Specification as defined by Philips.

Zarlink, ZL and the Zarlink Semiconductor logo are trademarks of Zarlink Semiconductor Inc.

Copyright Zarlink Semiconductor Inc. All Rights Reserved.

**TECHNICAL DOCUMENTATION - NOT FOR RESALE**

---