

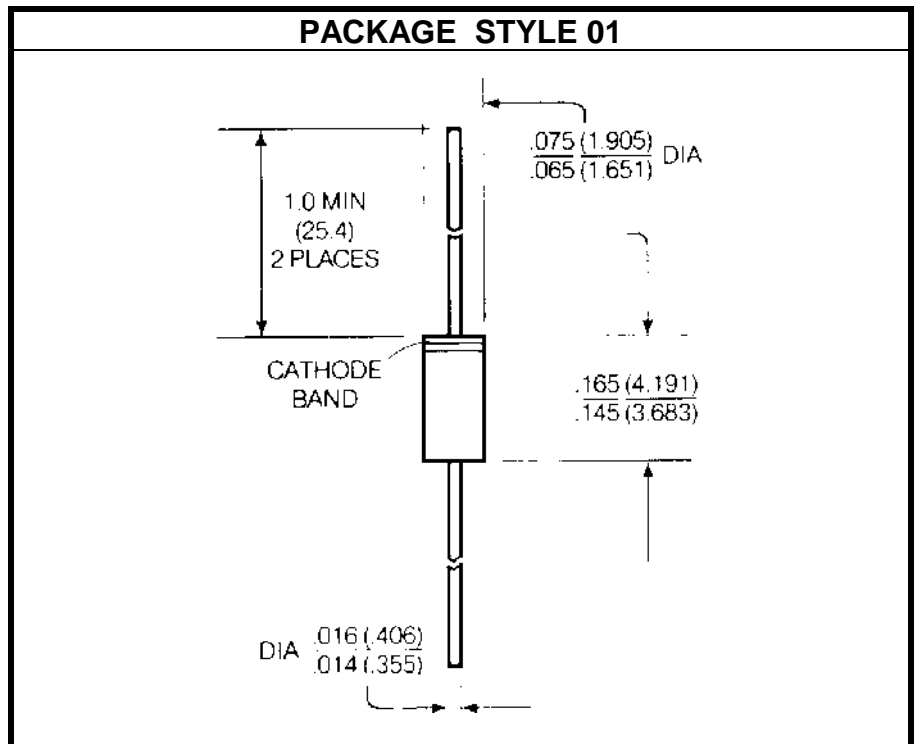
# SCHOTTKY BARRIER DIODE

**DESCRIPTION:**

The **ASI 5082-2835** is a Silicon Small Signal Schottky Diode Designed for General Purpose UHF/VHF Detection and Pulse Applications. Color Band Indicates Cathode.

**MAXIMUM RATINGS**

<b>I</b>	20 mA
<b>V</b>	8.0 V
<b>P<sub>DISS</sub></b>	250 mW @ T <sub>C</sub> = 25 °C
<b>T<sub>J</sub></b>	-65 °C to +200 °C
<b>T<sub>STG</sub></b>	-65 °C to +200 °C


**CHARACTERISTICS** T<sub>C</sub> = 25 °C

SYMBOL	TEST CONDITIONS	MINIMUM	TYPICAL	MAXIMUM	UNITS
<b>V<sub>R</sub></b>	I <sub>R</sub> = 100 μA	8.0			<b>V</b>
<b>I<sub>R</sub></b>	V <sub>R</sub> = 1.0 V			100	<b>μA</b>
<b>V<sub>F</sub></b>	I <sub>F</sub> = 1.0 mA			340	<b>mV</b>
	I <sub>F</sub> = 10 mA			450	
<b>C<sub>t</sub></b>	V <sub>R</sub> = 0 V			1.0	<b>pF</b>
<b>τ</b>	I <sub>F</sub> = 20 mA			100	<b>pS</b>