

Triple Linear Regulator Controllers

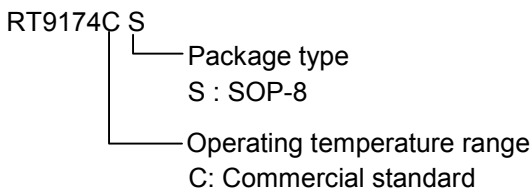
General Description

The RT9174 is a triple linear regulator controller designed for motherboard application.

The regulators are intended to regulate the computer system AGP (2X/4X) power, the 2.5V clock power, and the 1.8V power for North/South Bridge core voltage and/or cache memory circuits. All controllers can drive NPN or NMOSFET pass transistor. A special scheme employ driver voltage could be higher than V_{DD} when driving NMOSFET through the 12V power.

The RT9174 future a small SOP-8 package for saving board area. It also builds in current limiting and thermal shutdown protection function.

Ordering Information



Features

- Integrated Three Linear Controllers in a SOP-8 Package
- Driving NPN or NMOSFET
- Sourcing ($> 100mA$) and Sinking ($> 5mA$) Driver
- Tri-State Output Driver
- Low Internal 0.8V Reference
- Adjustable Output Voltage Setting
- High Output Stability
- V_{DDQ} 1.5/3.3V Automatic Changing for AGP
- Wide 3V ~ 8V Input Voltage Range
- Current Limiting and Thermal Protection

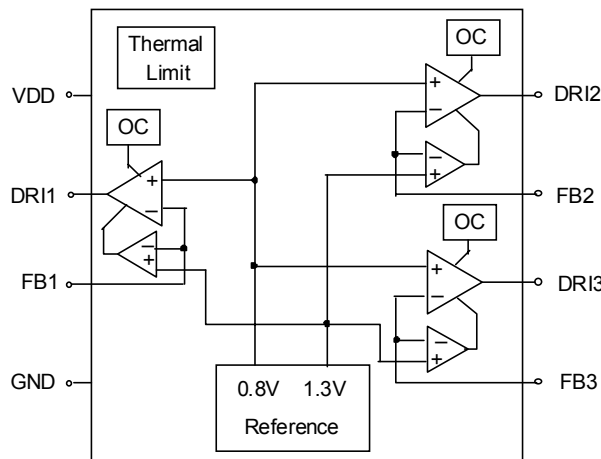
Applications

- Mother Boards Power Supply
- Graphic Cards

Pin Configurations

Part Number	Pin Configurations
RT9174CS (Plastic SOP-8)	<p style="text-align: center;">TOP VIEW</p> <p>VDD [1] [8] DRI 3 DRI 1 [2] [7] FB3 FB1 [3] [6] DRI 2 GND [4] [5] FB2</p>

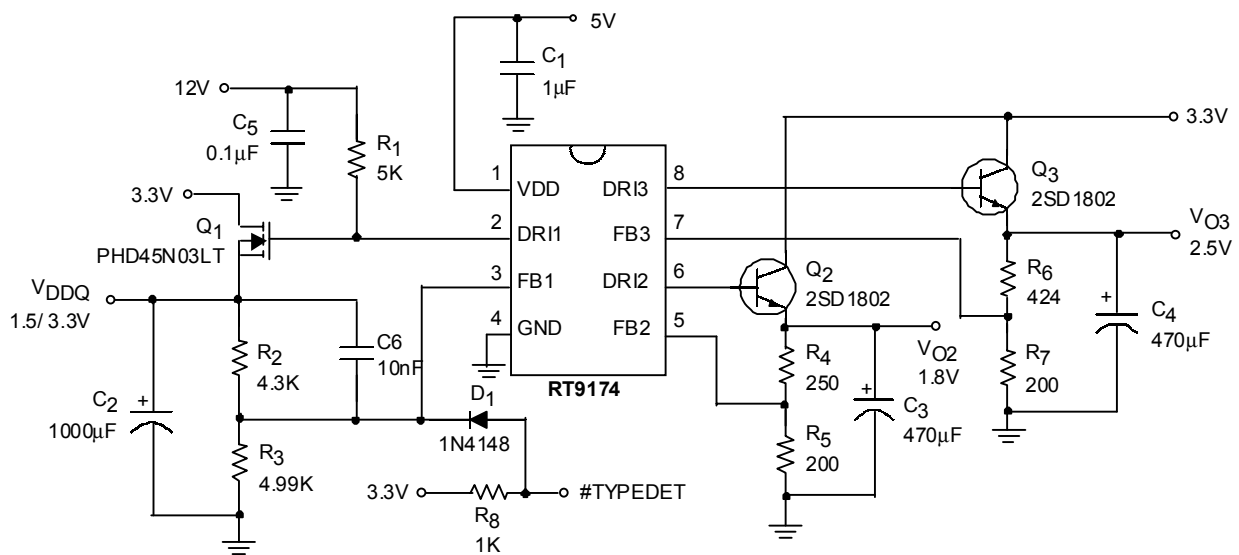
Function Block Diagram



Pin Description

Pin Name	Pin Function
VDD	Power Supply Input
DRI1	Regulator 1 Driver Output
FB1	Regulator 1 Feedback Non-inverting Input
GND	Ground
DRI2	Regulator 2 Driver Output
FB2	Regulator 2 Feedback Non-inverting Input
DRI3	Regulator 3 Driver Output
FB3	Regulator 3 Feedback Non-inverting Input

Typical Application Circuit



VDDQ = 3.3V if FB1 > 1.3V
 #TYPEDET = 0V → VDDQ = 1.5V
 #TYPEDET = Open → VDDQ = 3.3V

Fig 1. Triple LDOs with VDDQ for M/B Application

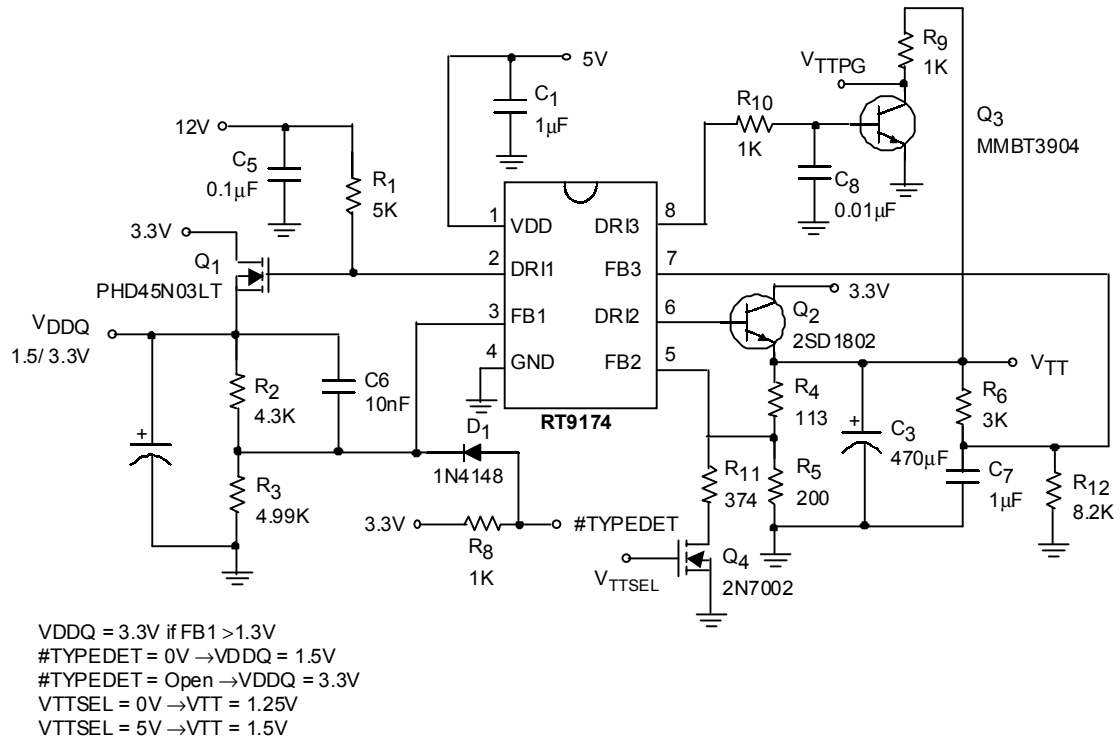


Fig 2. Dual LDOs with V_{TTPG} for VRM8.5 Application

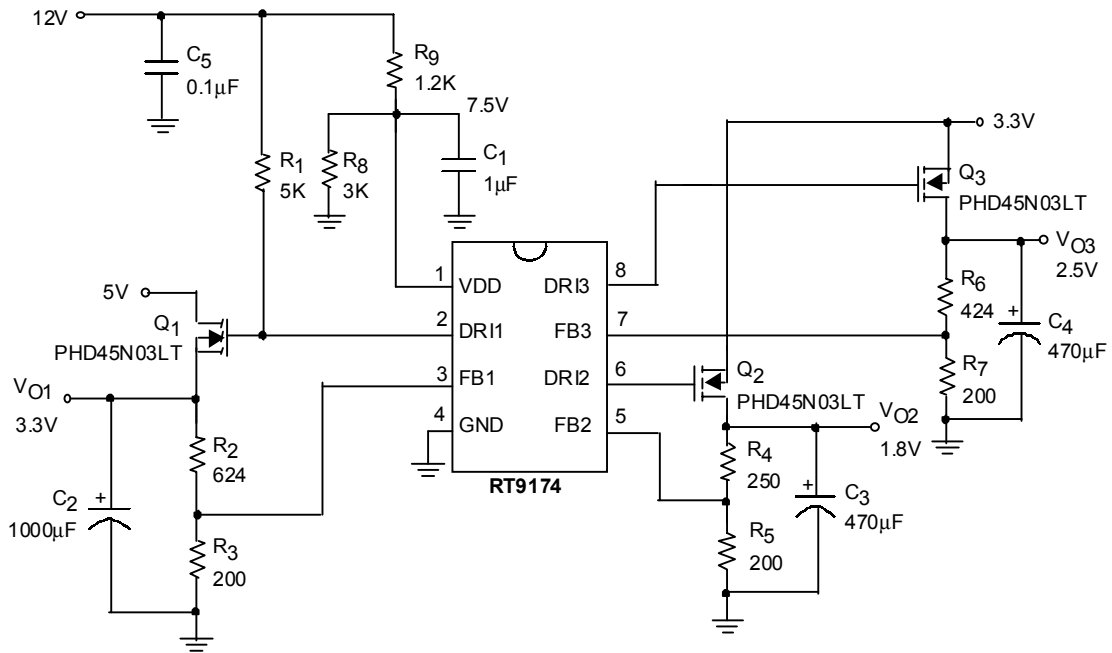


Fig 3. Triple LDOs Driving MOS Application

Absolute Maximum Ratings

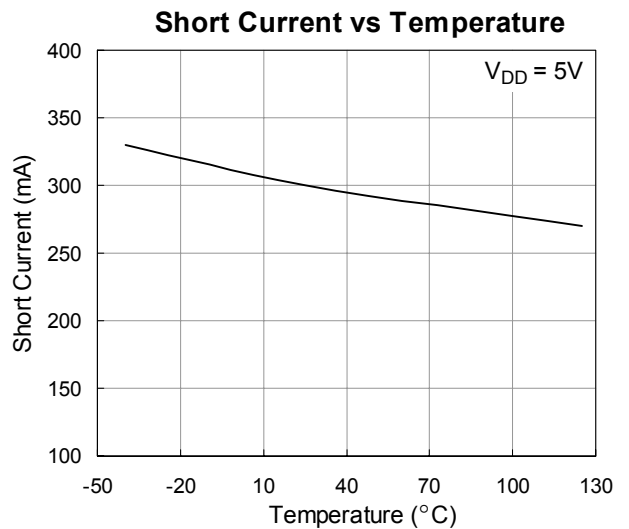
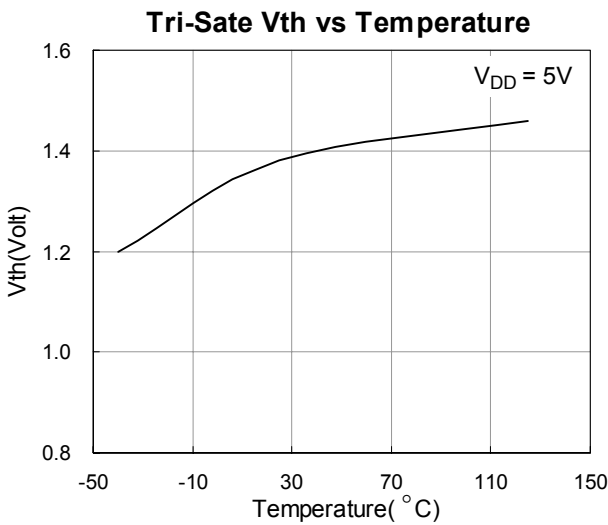
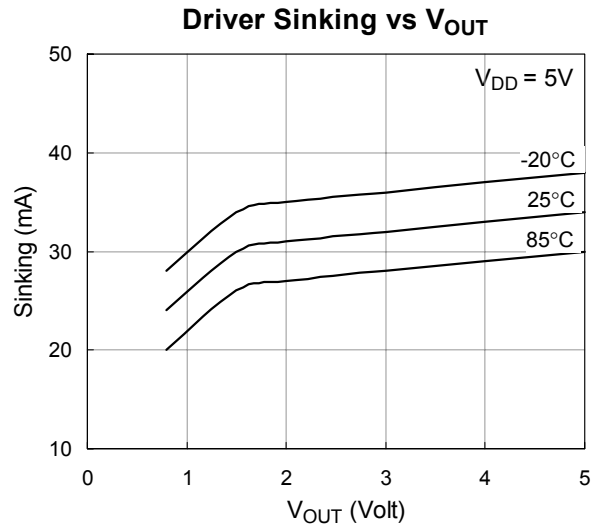
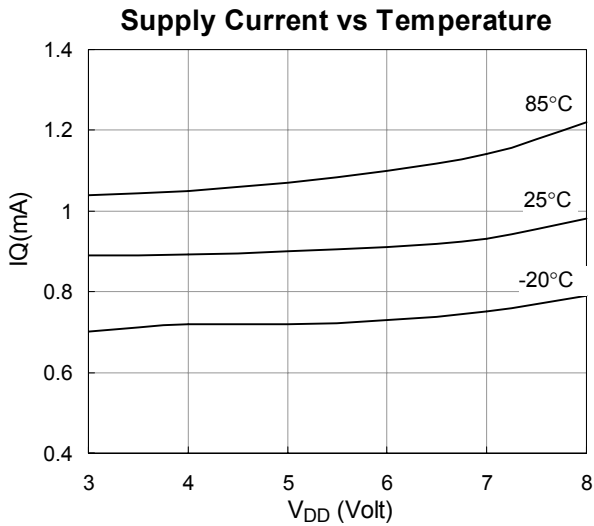
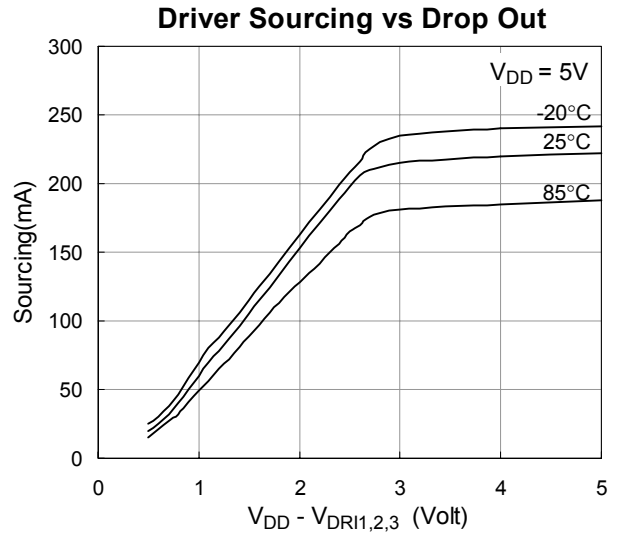
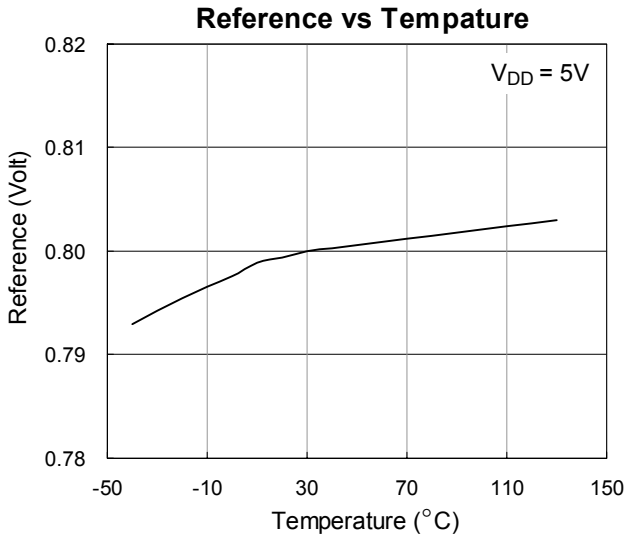
- Input Voltage V_{DD} ----- 8V
- Feedback FB1/FB2/FB3 ----- -0.3 ~ 8V
- Driver DRI1/DRI2/DRI3 ----- -0.3 ~ 12V
- Power Dissipation, $P_D @ T_A = 25^\circ\text{C}$
 SOP-8 ----- 0.625W
- Package Thermal Resistance
 SOP-8, θ_{JA} ----- 160°C/W
- Operating Junction Temperature Range ----- -40°C ~ 125°C
- Storage Temperature Range ----- 65°C ~ 150°C

Electrical Characteristics

($V_{DD} = 5\text{V}$, $C_{IN} = 1\mu\text{F}$, $T_A = 25^\circ\text{C}$, unless otherwise specified)

Parameter	Symbol	Test Conditions	Min	Typ	Max	Units
Supply Current	I_{DD}	No Load		0.8	2	mA
Feedback Reference Voltage	V_{REF}	No Load	0.78	0.8	0.82	V
Line Regulation	ΔV_{LINE}	$V_{DD} = 4\text{V} \sim 7\text{V}$		2	10	mV
Load Regulation	ΔV_{LOAD}	Source 100mA, DRI1/DRI2/DRI3 = 2.5V		5	10	mV
		Sink 5mA, DRI1/DRI2/DRI3 = 2.5V		10	15	
Driving Capability	I_O	Sourcing, DRI1/DRI2/DRI3 = 2.5V	100			mA
		Sink DRI1/DRI2/DRI3 = 2.5V	5			
Driver Current Limiting	I_{CL}	Sourcing, DRI1/DRI2/DRI3 = 2.5V		300	700	mA
		Sink DRI1/DRI2/DRI3 = 2.5V		40	150	
Driver Tri-State Threshold	V_{TS}	Sweep FB1/FB2/FB3 to Driver Output Off	1.0	1.35	2.0	V
Thermal Limit				150		°C
Power On Reset Voltage	POR			2.4		V

Typical Operating Characteristics



Applications Information

Capacitors Selection

A 0.1μF minimum capacitor is recommended between V_{DD} and ground to increase stability. The linear controllers use dominant pole compensation integrated into the error amplifier and are sensitive to output capacitor selection. When driving external pass transistor, normally a minimum 470μF capacitor must be placed at output for stability and good transient response. When using internal pass transistor, just need 10μF capacitor for stable.

Pass Transistor Selection

The RT9174 are designed specifically to driver external NPN or NMOSFET pass transistor for up to 5A output current. The driver could deliver more 100mA when driving NPN transistor and sinking for a pull up resistor load when driving a NMOSFET.

Typically pass transistor with NPN hfe > 50 at I_{max} or NMOSFET R_{ds-on} 100mΩ are suitable in most application.

Output Voltage Setting

The RT9174 develop a 0.8V reference voltage, especially suit for low voltage application. As shown in Fig. 4, the output voltage could be easy set by R1 & R2 resistor. The divided resistor must keep below 1KΩ for quick response and stability.

Tri-state Operation

A special Tri-state design is employed in the RT9174 for AGP 2X/4X power supply. Typical application shown the detail circuit. In AGP 2X SELECT = open, FB1 will be pulled up over 1.3V through R₈ to trip the Tri-state threshold. R₈ has to meet the following relationship:

$$R_8 < 0.75 (V_{33} - 1.3) \times R_2,$$

$$\text{if } \frac{R_3 + R_2}{R_3} \times 0.8 = 1.5.$$

When in AGP 4X SELECT = GND, V_{DDQ} will work in normal 1.5V setting.

Layout Considerations

There are two critical layout considerations. One is the divider resistors should be located to RT9174 as possible to avoid inducing any noise. The second is C_{OUT} should be put at near the pass transistor to avoid oscillation.

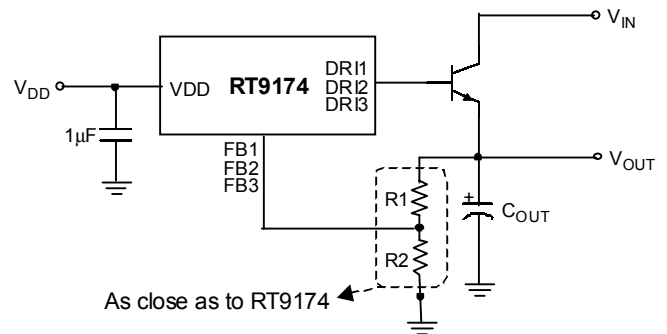
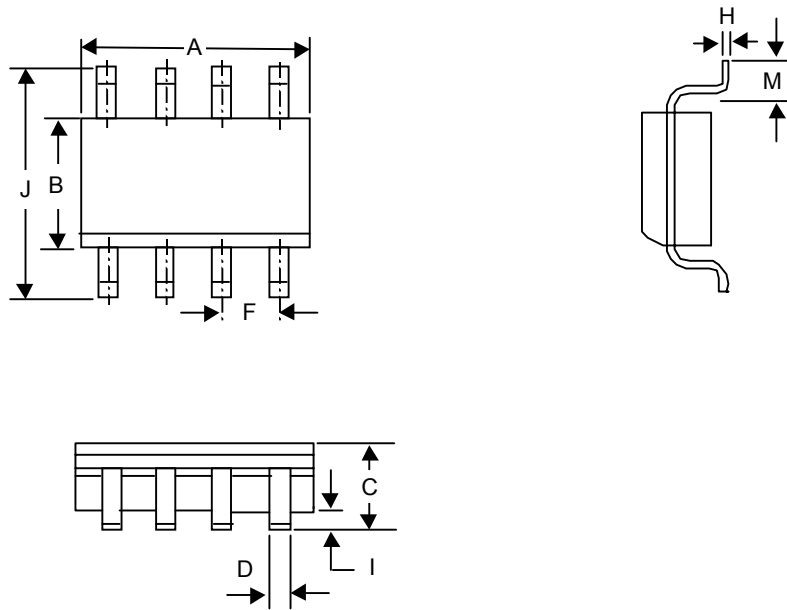


Fig 4

Package Information



Symbol	Dimensions In Millimeters		Dimensions In Inches	
	Min	Max	Min	Max
A	4.801	5.004	0.189	0.197
B	3.810	3.988	0.150	0.157
C	1.346	1.753	0.053	0.069
D	0.330	0.508	0.013	0.020
F	1.194	1.346	0.047	0.053
H	0.178	0.254	0.007	0.010
I	0.102	0.254	0.004	0.010
J	5.791	6.198	0.228	0.244
M	0.406	1.270	0.016	0.050

8-Lead SOP Plastic Package

RICHTEK TECHNOLOGY CORP.

Headquarter

6F, No. 35, Hsintai Road, Chupei City

Hsinchu, Taiwan, R.O.C.

Tel: (8863)5510047 Fax: (8863)5537749

RICHTEK TECHNOLOGY CORP.

Taipei Office (Marketing)

8F-1, No. 137, Lane 235, Paochiao Road, Hsintien City

Taipei County, Taiwan, R.O.C.

Tel: (8862)89191466 Fax: (8862)89191465

Email: marketing@richtek-ic.com.tw