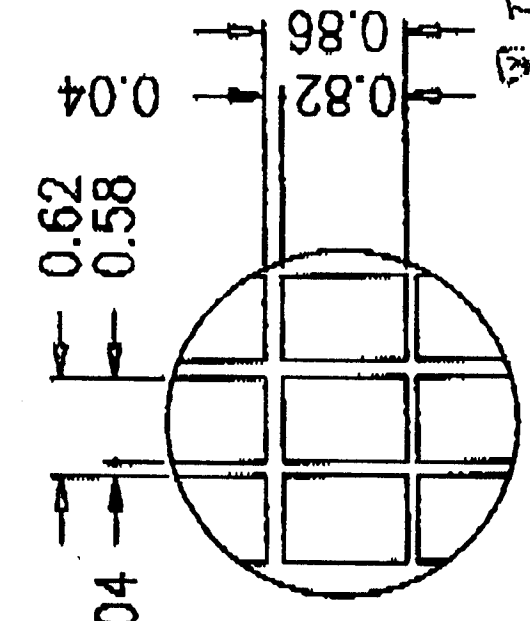


液晶显示电话: 0755-33819957
 Http://www.lcdfriends.com

240X64 DOTS



1	2	3	4	5	6	7	8	9	10	11	12	13	14	15	16	17	18	19	20
VDD	VS	NC	RES	CS	A0	WR	RD	D0	D1	D2	D3	D4	D5	D6	D7	SEL	VR	MR2	NC

- NOTES:
 1. DISPLAY TYPE: STN/GREY MODE
 2. VIEWING DIRECTION: 6:00
 3. DRIVER METHOD: 1/64 DUTY 1/9 BIAS
 4. POLARIZER MODE: TRANSPARENT/POSITIVE
 5. LCD OPERATING VOLTAGE: 5.0V
 6. OPERATING TEMP: -20°C-+70°C
 7. STORAGE TEMP: -30°C-+80°C
 8. CONTROLLER: SE81335FDA
 9. BACKLIGHT: EL(GREEN,100V,400HZ)
 10. UNMARKED TOLERANCE: ±0.3mm
 11. FRAME MATERIAL: STAINLESS STEEL

TIAN-MA MICROELECTRONICS CO.
 6/F., EASTIC Building, Shennan Road, Central, Shenzhen, China

DRAWN BY: [Signature]
 CHECKED BY: [Signature]
 APPROVED BY: [Signature]
 CONFIRMED BY: [Signature]

TITLE: TM24064FDBW
 DNG NO: G-2
 SCALE: [Symbol]
 UNIT: mm
 DWG NAME: TM24064FDBW-2
 SHEET NO: [] OF []