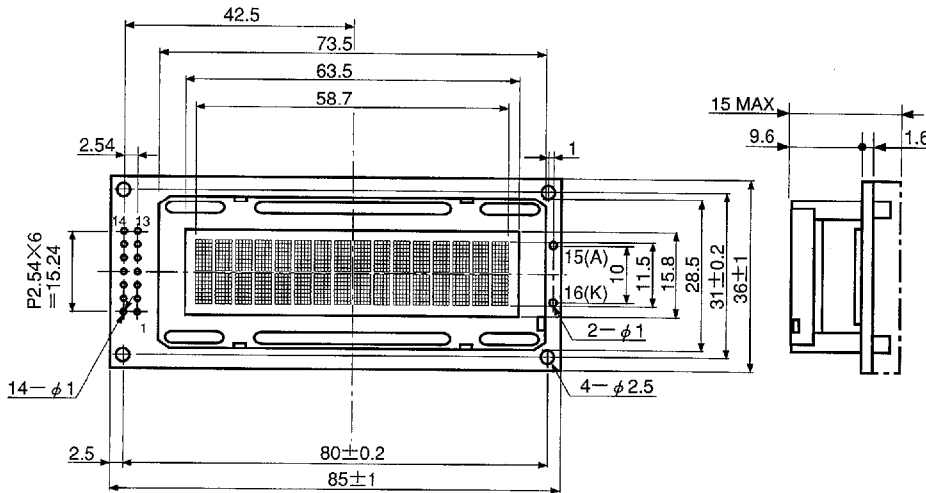
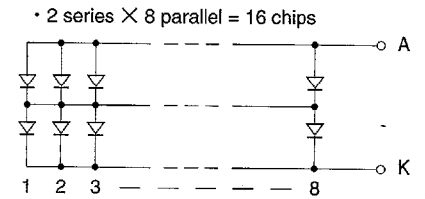


GMD1620ALY With LED backlight

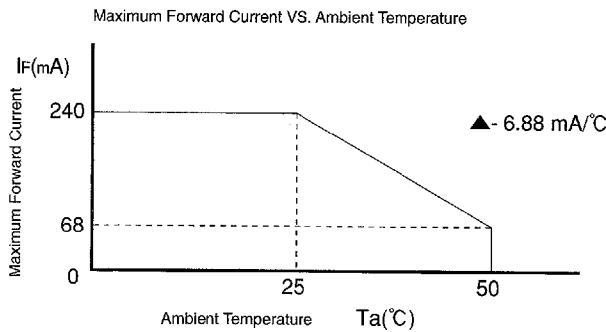
Module Dimensions (LED backlight)



Circuit Diagram of LED Backlight

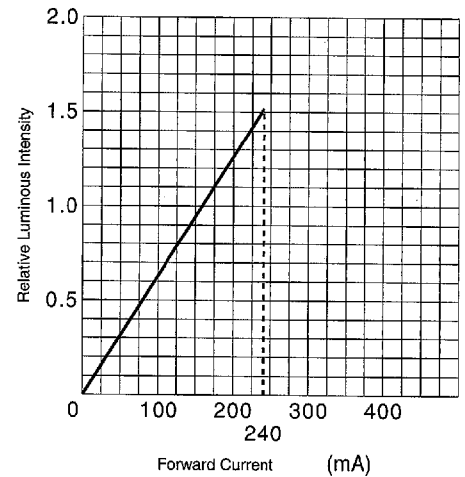


Characteristics of LED Backlight



*All the ratings and Characteristics of LCD modules are specified under the conditions for the LED backlight unit to meet the above derating curve.

Relative Luminous Intensity VS. Forward Current



Absolute Maximum Ratings and Characteristics of LED Backlight

Part Number (Emitted Color)	Item	Absolute Maximum Ratings			Electro-Optical Characteristics								
		Forward Current	Reverse Voltage	Power Dissipation	Forward Voltage		Reverse Current		Luminous Intensity		Peak Wavelength		
					Condition	Condition	Condition	Condition	Condition	Condition			
		IF	VR	Pd	Vf	IF	IR	VR	IV	IF	λp	IF	
GMD 1620ALY (Yellow)	PY	240	8	1100	4.3	4.6	160	160	8	85	160	570	160
	Unit	mA	V	mW	V		mA	μA	V	cd/m ²	mA	nm	mA

Note: Above specifications should be applied to the LED backlight only.