

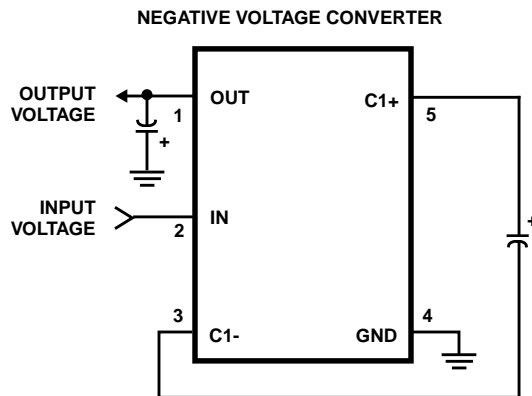
**Switched-Capacitor Voltage Inverter**

The ICL828 IC performs supply voltage conversions from positive to negative for an input range of +1.5V to +5.5V resulting in complementary output voltages of -1.5V to -5.5V. The ICL828 has a 12kHz internal oscillator and requires two capacitors to invert the supply voltage. Cascading may be made to increase the output voltage. The high efficiency (greater than 90% over most of the load-current range) and low operating current (60µA typical) make these devices ideal for both battery-powered and board-level voltage conversion applications.

**Ordering Information**

PART NUMBER	TEMP. RANGE (°C)	PACKAGE	PKG. NO	BRAND
ICL828IH-T	-40 to 85	5 Lead SOT23	P5.064	828

**Block Diagram**



**Features**

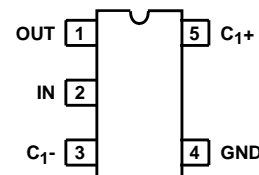
- 5-Lead SOT23-5 Package
- 99% Open Circuit Voltage Conversion Efficiency
- Inverts Input Supply Voltage
- High Power Supply Efficiency
- Input Voltage Range . . . . . +1.5V to +5.5V
- May be Cascaded to Increase Output Voltage
- Output Current . . . . . 25mA
- Quiescent Current . . . . . 60µA
- Pin for Pin Compatible to MAX828
- Small Package Size

**Applications**

- Simple Conversion . . . . . +5V to -5V
- Voltage Multiplication . . . . .  $V_{OUT} = -nV_{IN}$
- Supply Splitter
  - Operational Amplifiers
  - Bias Supplies
- Hand Held Products
  - Cell Phones
  - PDAs
  - GPS
  - Pagers
- LCD Panels

**Pinout**

**ICL828 (SOT23)  
TOP VIEW**



**Absolute Maximum Ratings**

IN to GND	+6.0V, -0.3V
OUT to GND	-6.0V, +0.3V
OUT Output CURRENT	50mA
OUT Short-circuit to GND	Indefinite

**Thermal Information**

Thermal Resistance (Typical, Note 1)	$\theta_{JA}$ (°C/W)
SOT23 Package	240
Maximum Junction Temperature (Plastic Package)	150°C
Maximum Storage Temperature Range	-65°C to 150°C
Maximum Lead Temperature (Soldering 10s)	300°C

**Operating Conditions**

Temperature Range	-40°C to 85°C
Supply Voltage Range	1.5V to 5.5V

*CAUTION: Stresses above those listed in "Absolute Maximum Ratings" may cause permanent damage to the device. This is a stress only rating and operation of the device at these or any other conditions above those indicated in the operational sections of this specification is not implied.*

**NOTE:**

- $\theta_{JA}$  is measured with the component mounted on a low effective thermal conductivity test board in free air. (See Tech Brief TB379 for details.)

**Electrical Specifications**  $V_{IN} = +5V, C_1 = C_2 = 10\mu F, T_A = -40^\circ C$  to  $85^\circ C$ , Unless Otherwise Specified

PARAMETER	SYMBOL	TEST CONDITIONS	MIN	TYP	MAX	UNITS
Supply Current	$I_{CC}$	25°C	-	60	90	$\mu A$
		-40°C to 85°C	-	-	115	$\mu A$
Minimum Supply Voltage	$V_{CC}$	$R_L = 10K, 25^\circ C$	1.25	1.0	-	V
		$R_L = 10K, -40^\circ C$ to $85^\circ C$	1.5	-	-	V
Maximum Supply Voltage	$V_{CC}$	$R_L = 10K$	-	-	5.5	V
Oscillator Frequency	$f_{OSC}$	-40°C to 85°C	6	-	20	kHz
Power Efficiency	$P_{EFF}$	$R_L = 10K, 25^\circ C$	-	98	-	%
Voltage Conversion Efficiency	$V_{OUT} / V_{IN}$	$R_L = Open$	95	99.9	-	%
Output Resistance	$R_{OUT}$	$I_{OUT} = 5mA, 25^\circ C$	-	20	50	$\Omega$
		$I_{OUT} = 5mA, -40$ to $85^\circ C$	-	-	65	$\Omega$

**Typical Performance Curves**

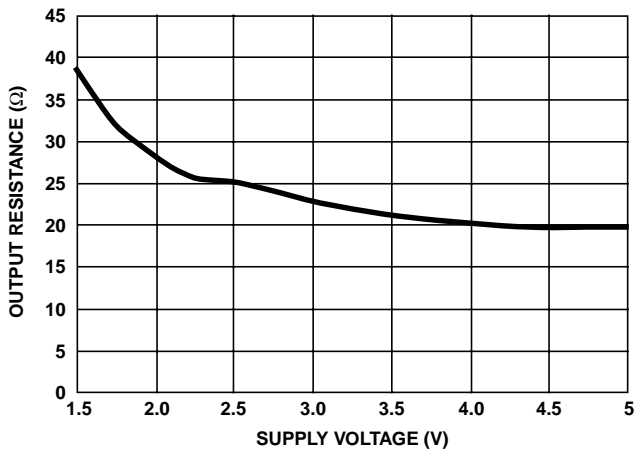


FIGURE 1. OUTPUT RESISTANCE vs SUPPLY VOLTAGE

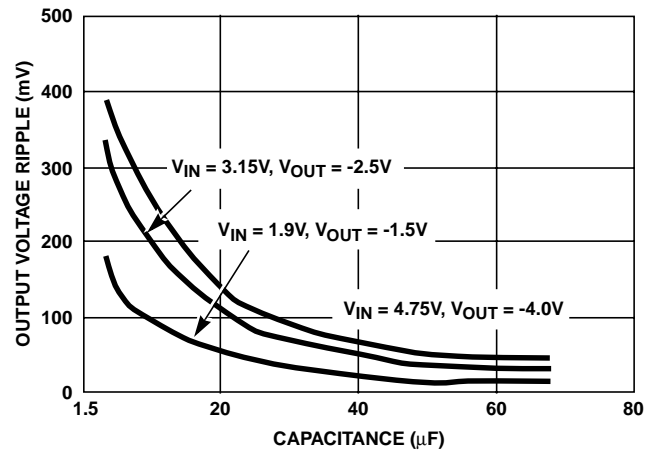


FIGURE 2. OUTPUT VOLTAGE RIPPLE vs CAPACITANCE

Typical Performance Curves (Continued)

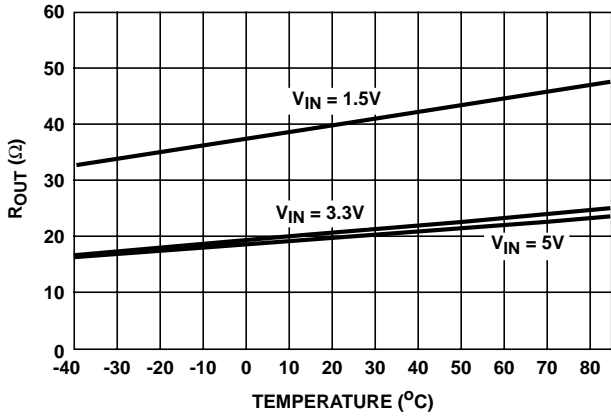


FIGURE 3. R<sub>OUT</sub> vs TEMPERATURE

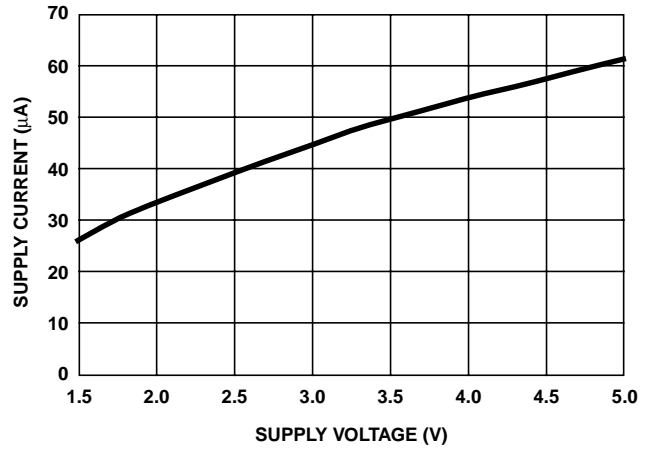


FIGURE 4. SUPPLY CURRENT vs VOLTAGE

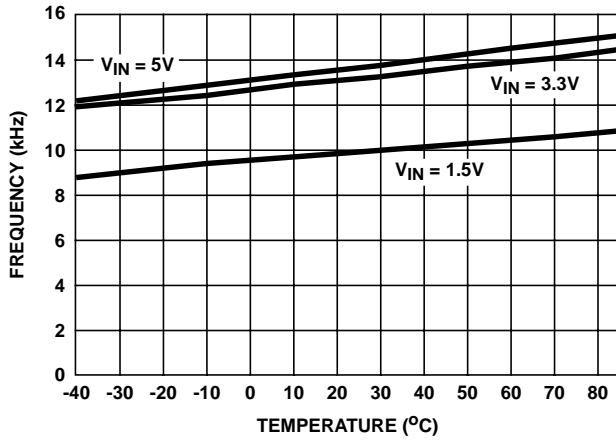


FIGURE 5. OSCILLATOR FREQUENCY vs TEMPERATURE

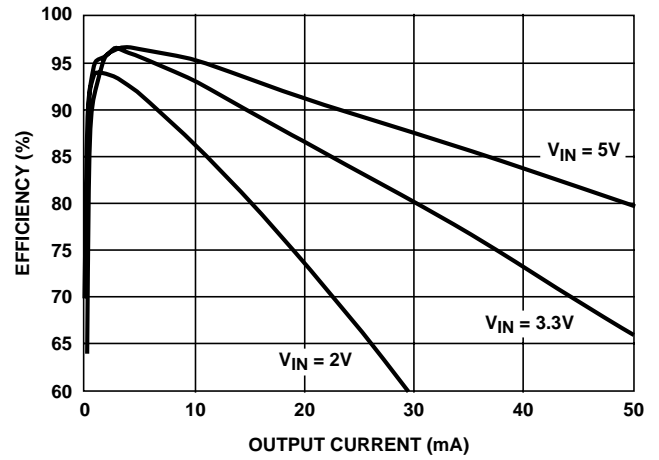


FIGURE 6. EFFICIENCY vs OUTPUT CURRENT

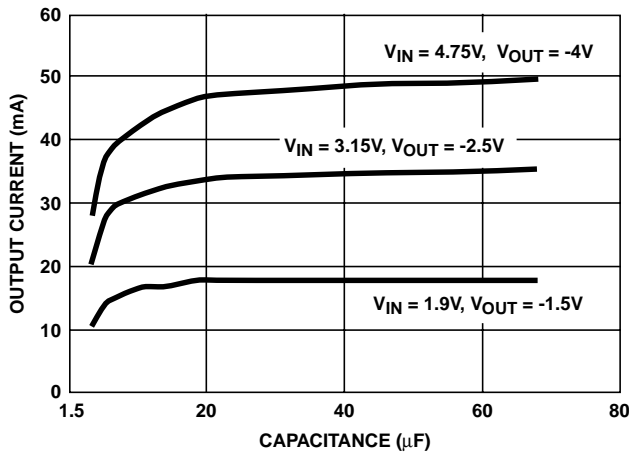


FIGURE 7. OUTPUT CURRENT vs CAPACITANCE

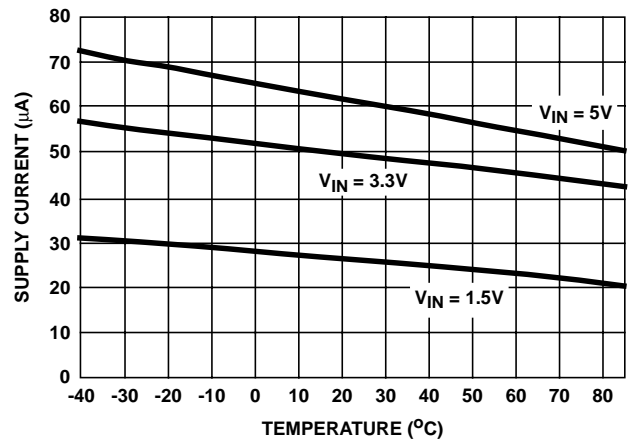
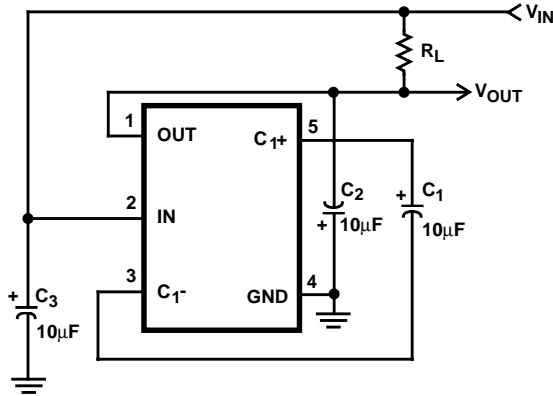


FIGURE 8. SUPPLY CURRENT vs TEMPERATURE

**Test Circuit**



NOTE:  $V_{IN} = +5V$ ,  $C_1 = C_2 = C_3$ ,  $T_A = 25^\circ C$ , unless otherwise noted.

FIGURE 9. TEST CIRCUIT

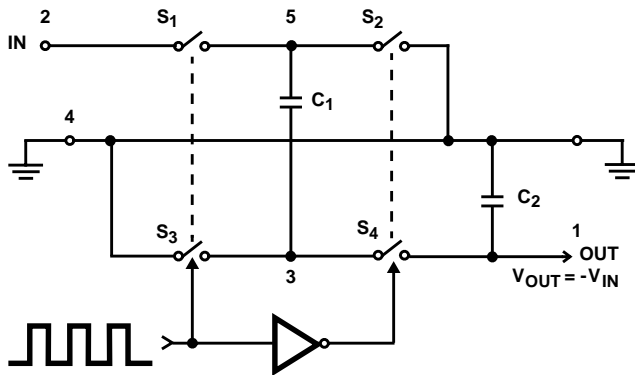


FIGURE 10. IDEALIZED NEGATIVE VOLTAGE CONVERTER

**Description**

The ICL828 contains all the necessary circuitry to complete a negative converter, utilizing two external inexpensive 10µF polarized electrolytic capacitor. The mode of operation of the device may be understood by considering Figure 10 which shows an idealized negative voltage converter.

Capacitor  $C_1$  is charged to a voltage,  $V_{IN}$ , for the half cycle when switches  $S_1$  and  $S_3$  are closed (Note: switches  $S_2$  and  $S_4$  are open during this half cycle). During the second half cycle of operation, switches  $S_2$  and  $S_4$  are closed, with  $S_1$  and  $S_3$  open, thereby shifting capacitor  $C_1$  negatively by  $V_{IN}$  Volts. Charge is then transferred from  $C_1$  to  $C_2$  such that the voltage on  $C_2$  is exactly  $V_{IN}$ , assuming ideal switches and no load on  $C_2$ .

**Theoretical Power Efficiency Considerations**

In theory a voltage converter can approach 100% efficiency if certain conditions are met:

1. The driver circuitry consumes minimal power.
2. The output switches have extremely low ON resistance and virtually no offset.

3. The impedances of the pump and reservoir capacitors are negligible at the pump frequency.
4. The losses due to the  $1/f_C$  terms is small.

**Energy is lost only in the transfer of charge between capacitors if a change in voltage occurs.**

The energy lost is defined by:

$$E = \frac{1}{2}C_1(V_1^2 - V_2^2)$$

Where  $V_1$  and  $V_2$  are the voltages on  $C_1$  during the pump and transfer cycles. If the impedances of  $C_1$  and  $C_2$  are relatively high at the pump frequency (refer to Figure 10) compared to the value of  $R_L$ , there will be a substantial difference in the voltages  $V_1$  and  $V_2$ . Therefore it is not only desirable to make  $C_2$  as large as possible to eliminate output voltage ripple, but also to employ a correspondingly large value for  $C_1$  in order to achieve maximum efficiency of operation.

**Negative Voltage Converter**

The output characteristics of the circuit on the first page can be approximated by an ideal voltage source in series with a resistance (Figure 11). The voltage source has a value of  $-(V_{IN})$ . The output impedance ( $R_O$ ) is a function of the ON resistance of the internal MOS switches (shown in Figure 10), the switching frequency, the value of  $C_1$  and  $C_2$ , and the ESR (equivalent series resistance) of  $C_1$  and  $C_2$ . A good first order approximation for  $R_O$  is:

$$R_O = 2(R_{sw1} + R_{sw3} + ESR_{C1}) + 2(R_{sw2} + R_{sw4} + ESR_{C1}) + 1/(fpump)(C1) + ESR_{C2}$$

$R_{sw}$ , the switch resistance, is a function of supply voltage and temperature (see Figure 3). Careful selection of capacitors will minimize the output resistance, and low capacitor ESR will lower the ESR term.

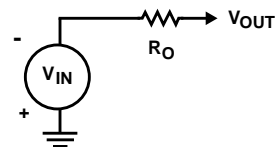


FIGURE 11. EQUIVALENT CIRCUIT

**Output Ripple**

ESR also affects the ripple voltage seen at the output. The total ripple is determined by 2 voltages, A and B, as shown in Figure 12. Segment A is the voltage drop across the ESR of  $C_2$  at the instant it goes from being charged by  $C_1$  (current flowing into  $C_2$ ) to being discharged through the load (current flowing out of  $C_2$ ). The magnitude of this current change is  $2 \times I_{OUT}$ , hence the total drop is  $2 \times I_{OUT} \times ESR_{C2}$ . Segment B is the voltage change across  $C_2$  during time  $t_1$ , the half of the cycle when  $C_2$  supplies current the

load. The drop at B is  $I_{OUT} \times t_1 / C_2 V$ . The peak-to-peak ripple voltage is the sum of these voltage drops:

$$V_{RIPPLE} \cong \left( \frac{1}{2 \times C_2 \times f_{PUMP}} + 2 \text{ESRC}_2 \times I_{OUT} \right)$$

Again, a low ESR capacitor will result in a higher performance output.

### Positive Voltage Doubling

The ICL828 may be employed to achieve positive voltage doubling using the circuit shown in Figure 13. In this application, the pump inverter switches of the ICL828 are used to charge  $C_1$  to a voltage level of  $V_{IN} - V_F$  where  $V_{IN}$  is the supply voltage and  $V_F$  is the forward voltage on  $C_1$  plus the supply voltage ( $V_{IN}$ ) is applied through diode  $D_2$  to capacitor  $C_2$ . The voltage thus created on  $C_2$  becomes  $(2V_{IN}) - (2V_F)$  or twice the supply voltage minus the combined forward voltage drops of diodes  $D_1$  and  $D_2$ .

The source impedance of the output ( $V_{OUT}$ ) will depend on the output current.

### Combined Negative Conversion and Positive Supply Doubling

Figure 14 combines the functions shown on front page and Figure 13 to provide negative voltage conversion and positive voltage doubling simultaneously. This approach would be, for example, suitable for generating +9V and -5V from an existing +5V supply. In this instance capacitors  $C_1$  and  $C_3$  perform the pump and reservoir functions respectively for the generation of the negative voltage, while capacitors  $C_2$  and  $C_4$  are pump and reservoir respectively for the doubled positive voltage. There is a penalty in this configuration which combines both functions, however, in that the source impedances of the generated supplies will be somewhat higher due to the finite impedance of the common charge pump driver at pin 2 of the device.

### Cascading Devices

The ICL828 may be cascaded to produce a larger multiplication supply voltage (see Figure 15). The output voltage is:

$$V_{OUT} = -n(V_{IN}),$$

where n is an integer representing the number of devices cascaded.

The resulting output resistance would be approximately the sum of the individual ICL828  $R_{OUT}$  values.

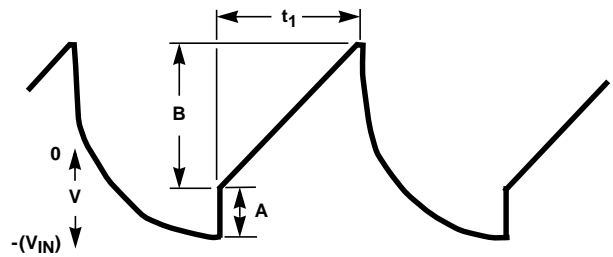
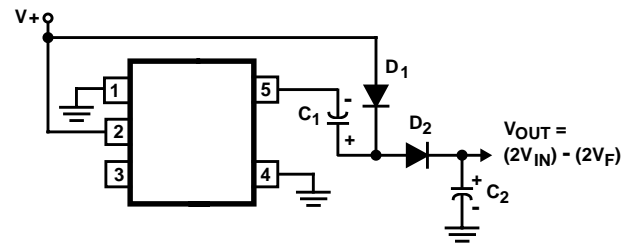


FIGURE 12. OUTPUT RIPPLE



NOTE:  $D_1$  and  $D_2$  can be any suitable diode.

FIGURE 13. POSITIVE VOLTAGE DOUBLER

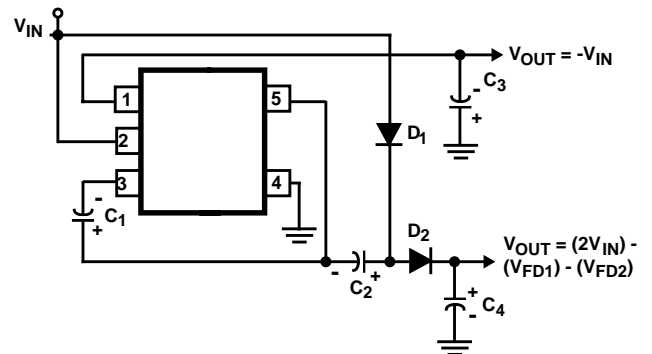


FIGURE 14. COMBINED NEGATIVE VOLTAGE AND POSITIVE DOUBLER

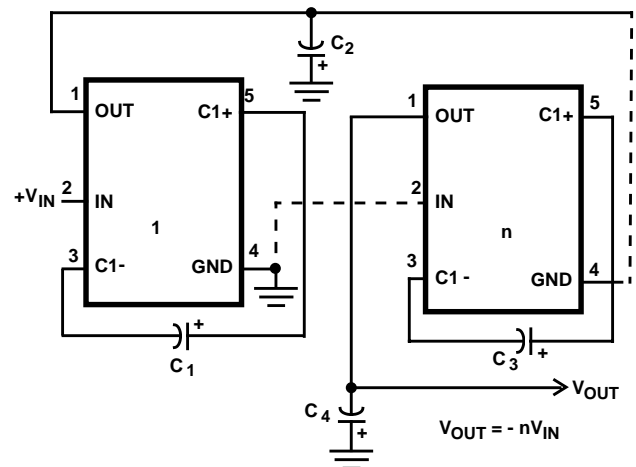


FIGURE 15. CASCADING TO INCREASE OUTPUT VOLTAGE

### Voltage Splitting

The bidirectional characteristics of the switches of the ICL828 can be used to split a higher supply in half as shown below.

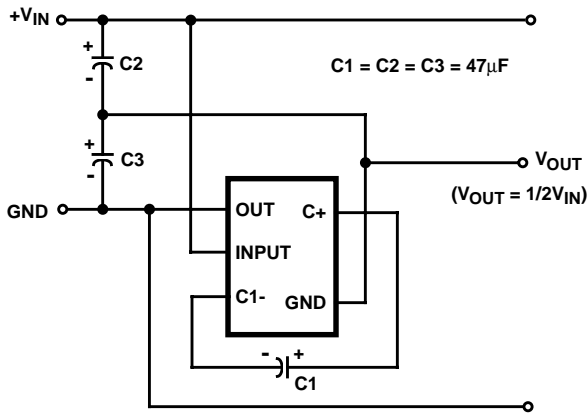


FIGURE 16. SPLIT SUPPLY APPLICATION

The combined load will be evenly shared between the two external capacitors because the switches share the load in parallel, the output resistance is approximately half of the standard voltage inverter.

### Equivalent Circuit

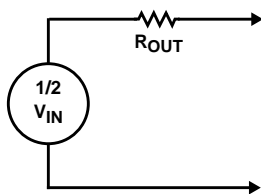


FIGURE 17.

Typical value for  $R_{OUT}$  in the above equivalent circuit would be  $6\Omega$  to  $7\Omega$  for an input voltage of 5V. The power efficiency for the circuit would be:

$$P_{EFF} = (I_{OUT} \cdot V_{OUT}) / ((1/2)(V_{IN} \cdot I_{OUT}) + (V_{IN} \cdot I_Q))$$

Typical values for ICL828 in this application,

$$I_Q = 22\mu A, R_{OUT} = 6\Omega \text{ to } 7\Omega$$

$$\text{and } V_{OUT} = 1/2 V_{IN} \cdot R_{LOAD} / (R_{OUT} + R_{LOAD}).$$

The ICL828 used as a voltage splitting circuit is an efficient means to providing a split supply application as shown in Figures 16 through 19.

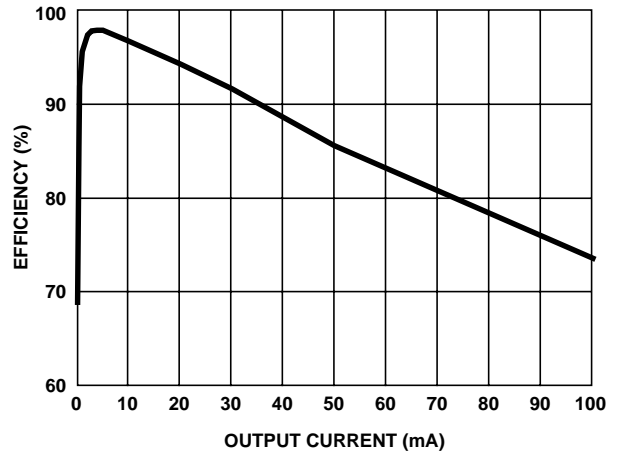


FIGURE 18. EFFICIENCY vs OUTPUT CURRENT FOR SPLIT SUPPLY APPLICATION

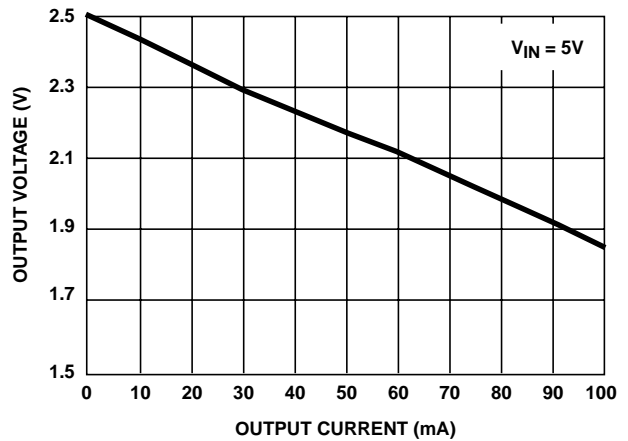
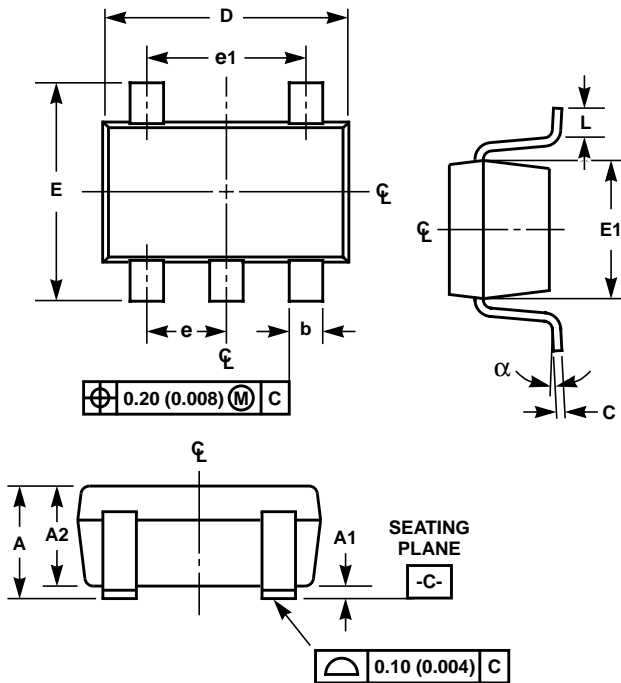


FIGURE 19. OUTPUT CURRENT vs OUTPUT VOLTAGE FOR SPLIT SUPPLY APPLICATIONS

**Small Outline Transistor Plastic Packages (SOT23-5)**



**P5.064**

**5 LEAD SMALL OUTLINE TRANSISTOR PLASTIC PACKAGE**

SYMBOL	INCHES		MILLIMETERS		NOTES
	MIN	MAX	MIN	MAX	
A	0.036	0.057	0.90	1.45	-
A1	0.000	0.0059	0.00	0.15	-
A2	0.036	0.051	0.90	1.30	-
b	0.0138	0.0196	0.35	0.50	-
C	0.0036	0.0078	0.09	0.20	-
D	0.111	0.118	2.80	3.00	3
E	0.103	0.118	2.60	3.00	-
E1	0.060	0.068	1.50	1.75	3
e	0.0374 Ref		0.95 Ref		-
e1	0.0748 Ref		1.90 Ref		-
L	0.004	0.023	0.10	0.60	4, 5
N	5		5		6
alpha	0°	10°	0°	10°	-

Rev. 0 10/98

**NOTES:**

1. Dimensioning and tolerances per ANSI 14.5M-1982.
2. Package conforms to EIAJ SC-74A (1992).
3. Dimensions D and E1 are exclusive of mold flash, protrusions, or gate burrs.
4. Footlength L measured at reference to seating plane.
5. "L" is the length of flat foot surface for soldering to substrate.
6. "N" is the number of terminal positions.
7. Controlling dimension: MILLIMETER. Converted inch dimensions are not necessarily exact.

All Intersil semiconductor products are manufactured, assembled and tested under **ISO9000** quality systems certification.

*Intersil semiconductor products are sold by description only. Intersil Corporation reserves the right to make changes in circuit design and/or specifications at any time without notice. Accordingly, the reader is cautioned to verify that data sheets are current before placing orders. Information furnished by Intersil is believed to be accurate and reliable. However, no responsibility is assumed by Intersil or its subsidiaries for its use; nor for any infringements of patents or other rights of third parties which may result from its use. No license is granted by implication or otherwise under any patent or patent rights of Intersil or its subsidiaries.*

For information regarding Intersil Corporation and its products, see web site [www.intersil.com](http://www.intersil.com)

**Sales Office Headquarters**

**NORTH AMERICA**

Intersil Corporation  
 P. O. Box 883, Mail Stop 53-204  
 Melbourne, FL 32902  
 TEL: (321) 724-7000  
 FAX: (321) 724-7240

**EUROPE**

Intersil SA  
 Mercure Center  
 100, Rue de la Fusee  
 1130 Brussels, Belgium  
 TEL: (32) 2.724.2111  
 FAX: (32) 2.724.22.05

**ASIA**

Intersil Ltd.  
 8F-2, 96, Sec. 1, Chien-kuo North,  
 Taipei, Taiwan 104  
 Republic of China  
 TEL: 886-2-2515-8508  
 FAX: 886-2-2515-8369