

±250V Input Range G = 1, 10, Micropower, Difference Amplifier

APPLICATIONS

- Pin Selectable Gain of 1 or 10
- High Common Mode Voltage Range:
 85V Window ($V_S = 5V, 0V$)
 ±250V ($V_S = ±15V$)
- Common Mode Rejection Ratio: 70dB Min
- Input Protection to ±350V
- Gain Error: 0.28% Max
- PSRR: 82dB Min
- High Input Impedance: 2MΩ Differential,
 500kΩ Common Mode
- Micropower: 120μA Max Supply Current
- Wide Supply Range: 2.7V to 36V
- -3dB Bandwidth: 100kHz
- Rail-to-Rail Output
- 8-Pin SO Package

FEATURES


- Battery Cell Voltage Monitoring
- High Voltage Current Sensing
- Signal Acquisition in Noisy Environments
- Input Protection
- Fault Protected Front Ends
- Level Sensing
- Isolation

DESCRIPTION

The LT[®]1990 is a micropower precision difference amplifier with a very high common mode input voltage range. It has pin selectable gains of 1 or 10. The LT1990 operates over a ±250V common mode voltage range on a ±15V supply. The inputs are fault protected from common mode voltage transients up to ±350V and differential voltages up to ±500V. The LT1990 is ideally suited for both high side and low side current or voltage monitoring.

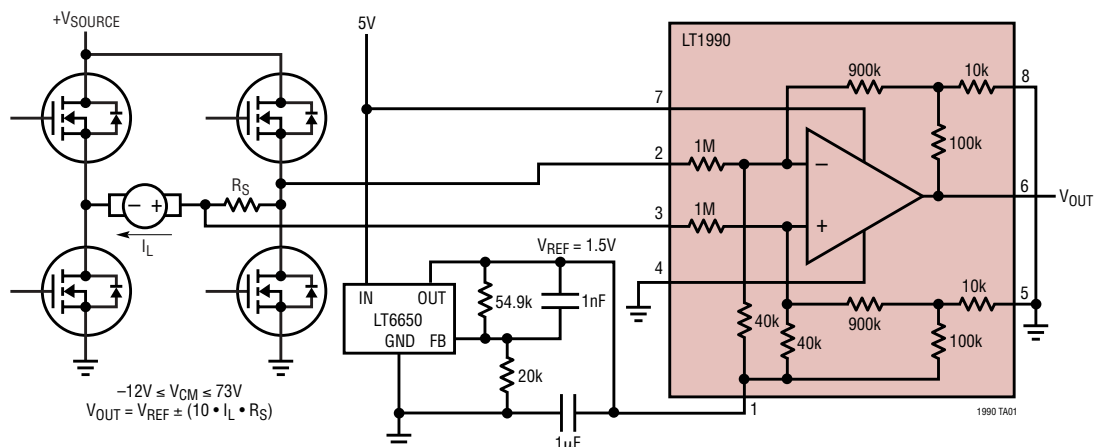
On a single 5V supply, the LT1990 has an adjustable 85V input range, 70dB min CMRR and draws less than 120μA supply current. The rail-to-rail output maximizes the dynamic range, especially important for single supplies as low as 2.7V.

The LT1990 is specified for single 3V, 5V and ±15V supplies over both commercial and industrial temperature ranges. The LT1990 is available in the 8-pin SO package.

 LTC and LT are registered trademarks of Linear Technology Corporation.

TYPICAL APPLICATION

Full-Bridge Load Current Monitor



ABSOLUTE MAXIMUM RATINGS

(Notes 1, 2)

Total Supply Voltage (V^+ to V^-)	36V
Input Voltage Range	
Continuous	$\pm 250V$
Transient (0.1s)	$\pm 350V$
Differential	$\pm 500V$
Output Short-Circuit Duration (Note 3)	Indefinite
Operating Temperature Range (Note 4) ...	$-40^{\circ}C$ to $85^{\circ}C$
Specified Temperature Range (Note 5)	$-40^{\circ}C$ to $85^{\circ}C$
Storage Temperature Range	$-65^{\circ}C$ to $150^{\circ}C$
Lead Temperature (Soldering, 10 sec.)	$300^{\circ}C$

PACKAGE/ORDER INFORMATION

	ORDER PART NUMBER
	LT1990CS8 LT1990IS8 LT1990ACS8 LT1990AIS8
	S8 PART MARKING
	1990 1990A 1990I 1990AI

3V/5V ELECTRICAL CHARACTERISTICS

$V_S = 3V, 0V; V_S = 5V, 0V; R_L = 10k, V_{CM} = V_{REF} = \text{half supply}, G = 1, 10, T_A = 25^{\circ}C$, unless otherwise noted. (Note 6)

SYMBOL	PARAMETER	CONDITIONS	MIN	TYP	MAX	UNITS
G	Gain	Pins 5 and 8 = Open Pins 5 and 8 = GND		1 10		
ΔG	Gain Error	$V_{OUT} = 0.5V$ to $(+V_S) - 0.75V$ LT1990, $G = 1$ LT1990A, $G = 1$ $G = 10, V_S = 5V, 0V$		0.4 0.07 0.2	0.6 0.28 0.8	% % %
GNL	Gain Nonlinearity	$V_S = 5V, 0V; V_{OUT} = 0.5V$ to $4.25V$ $G = 1$ $G = 10$		0.001 0.01	0.005	% %
V_{CM}	Input Voltage Range	Guaranteed by CMRR $V_S = 3V, 0V; V_{REF} = 1.25V$ $V_S = 5V, 0V; V_{REF} = 1.25V$ $V_S = 5V, 0V; V_{REF} = 2.5V$	-5 -5 -38		25 80 47	V V V
CMRR	Common Mode Rejection Ratio RTI (Referred to Input)	$V_S = 3V, 0V$ (Note 7) $V_{CM} = -5V$ to $25V, V_{REF} = 1.25V$ LT1990 LT1990A $V_S = 5V, 0V$ $V_{CM} = -5V$ to $80V, V_{REF} = 1.25V$ LT1990 LT1990A $V_S = 5V, 0V$ (Note 7) $V_{CM} = -38V$ to $47V, V_{REF} = 2.5V$ LT1990 LT1990A	60 70	68 75		dB dB dB dB
V_{OS}	Offset Voltage, RTI	$G = 1, 10$		0.8	3	mV
e_n	Input Noise Voltage, RTI	$f_0 = 0.1Hz$ to $10Hz$		22		μV_{P-P}
	Noise Voltage Density, RTI	$f_0 = 1kHz$		1		$\mu V/\sqrt{Hz}$

3V/5V ELECTRICAL CHARACTERISTICS

V_S = 3V, 0V; V_S = 5V, 0V; R_L = 10k, V_{CM} = V_{REF} = half supply, G = 1, 10, T_A = 25°C, unless otherwise noted. (Note 6)

SYMBOL	PARAMETER	CONDITIONS	MIN	TYP	MAX	UNITS
R _{IN}	Input Resistance	Differential Common Mode		2 0.5		MΩ MΩ
PSRR	Power Supply Rejection Ratio, RTI	V _S = 2.7V to 12.7V, V _{CM} = V _{REF} = 1.25V	80	92		dB
	Minimum Supply Voltage	Guaranteed by PSRR		2.4	2.7	V
I _S	Supply Current	(Note 8)		105	120	μA
V _{OL}	Output Voltage Swing LOW	-IN = V ⁺ , +IN = Half Supply (Note 8)		30	50	mV
V _{OH}	Output Voltage Swing HIGH	-IN = 0V, +IN = Half Supply V _S = 3V, 0V, Below V ⁺ V _S = 5V, 0V, Below V ⁺		100 120	150 175	mV mV
I _{SC}	Output Short-Circuit Current	Short to GND (Note 9) Short to V ⁺ (Note 9)	4 13	8 20		mA mA
BW	Bandwidth (-3dB)	G = 1 G = 10		100 6.5		kHz kHz
SR	Slew Rate	G = 1, V _S = 5V, 0V, V _{OUT} = 0.5V to 4.5V		0.5		V/μs
	Settling Time to 0.01%	4V Step, G = 1, V _S = 5V, 0V		45		μs
AV _{REF}	Reference Gain to Output			1 ± 0.0007		

The ● denotes the specifications which apply over the temperature range of 0°C ≤ T_A ≤ 70°C. V_S = 3V, 0V; V_S = 5V, 0V; R_L = 10k, V_{CM} = V_{REF} = half supply, G = 1, 10, unless otherwise noted. (Notes 4, 6)

SYMBOL	PARAMETER	CONDITIONS	MIN	TYP	MAX	UNITS
ΔG	Gain Error	V _{OUT} = 0.5V to (+V _S) - 0.75V LT1990, G = 1 ● LT1990A, G = 1 ● G = 10 ●			0.65 0.33 0.90	% % %
G/T	Gain vs Temperature	G = 1 (Note 10) ● G = 10 (Note 10) ●		2 7	10 20	ppm/°C ppm/°C
V _{CM}	Input Voltage Range	Guaranteed by CMRR V _S = 3V, 0V, V _{REF} = 1.25V ● V _S = 5V, 0V, V _{REF} = 1.25V ● V _S = 5V, 0V, V _{REF} = 2.5V ●	-5 -5 -37		25 80 48	V V V
CMRR	Common Mode Rejection Ratio, RTI	V _S = 3V, 0V (Note 7) V _{CM} = -5V to 25V, V _{REF} = 1.25V LT1990 ● LT1990A ●		58 68		dB dB
		V _S = 5V, 0V V _{CM} = -5V to 80V, V _{REF} = 1.25V LT1990 ● LT1990A ●		58 68		dB dB
		V _S = 5V, 0V (Note 7) V _{CM} = -38V to 47V, V _{REF} = 2.5V LT1990 ● LT1990A ●		58 68		dB dB
V _{OS}	Input Offset Voltage, RTI	V _S = 3V, 0V G = 1, 10 ● V _S = 5V, 0V G = 1, 10 ●			4.1	mV mV

3V/5V ELECTRICAL CHARACTERISTICS

The ● denotes the specifications which apply over the temperature range of $0^{\circ}\text{C} \leq T_A \leq 70^{\circ}\text{C}$. $V_S = 3\text{V}, 0\text{V}$; $V_S = 5\text{V}, 0\text{V}$; $R_L = 10\text{k}$, $V_{CM} = V_{REF} = \text{half supply}$, $G = 1, 10$, unless otherwise noted. (Notes 4, 6)

SYMBOL	PARAMETER	CONDITIONS	MIN	TYP	MAX	UNITS
$V_{OS/T}$	Input Offset Voltage Drift, RTI	(Note 10)	●	5	22	$\mu\text{V}/^{\circ}\text{C}$
V_{OSH}	Input Offset Voltage Hysteresis, RTI	(Note 11)	●	230		μV
PSRR	Power Supply Rejection Ratio, RTI	$V_S = 2.7\text{V}$ to 12.7V $V_{CM} = V_{REF} = 1.25\text{V}$ $G = 1, 10$	●	78		dB
	Minimum Supply Voltage	Guaranteed by PSRR	●		2.7	V
I_S	Supply Current	(Note 8)	●		150	μA
V_{OL}	Output Voltage Swing LOW	$-IN = V^+$, $+IN = \text{Half Supply}$ (Note 8)	●		60	mV
V_{OH}	Output Voltage Swing HIGH	$-IN = 0\text{V}$, $+IN = \text{Half Supply}$ $V_S = 3\text{V}, 0\text{V}$, Below V^+ $V_S = 5\text{V}, 0\text{V}$, Below V^+	● ●		180 205	mV mV
I_{SC}	Output Short-Circuit Current	Short to GND (Note 9) Short to V^+ (Note 9)	● ●	3 11		mA mA

The ● denotes the specifications which apply over the temperature range of $-40^{\circ}\text{C} \leq T_A \leq 85^{\circ}\text{C}$. $V_S = 3\text{V}, 0\text{V}$; $V_S = 5\text{V}, 0\text{V}$; $R_L = 10\text{k}$, $V_{CM} = V_{REF} = \text{half supply}$, $G = 1, 10$, unless otherwise noted. (Notes 4, 6)

SYMBOL	PARAMETER	CONDITIONS	MIN	TYP	MAX	UNITS
ΔG	Gain Error	$V_{OUT} = 0.5\text{V}$ to $(+V_S) - 0.75\text{V}$ LT1990, $G = 1$ LT1990A, $G = 1$ $G = 10$	● ● ●		0.67 0.35 0.95	% % %
G/T	Gain vs Temperature	$G = 1$ (Note 10) $G = 10$ (Note 10)	● ●	2 7	10 20	ppm/ $^{\circ}\text{C}$ ppm/ $^{\circ}\text{C}$
V_{CM}	Input Voltage Range	Guaranteed by CMRR $V_S = 3\text{V}, 0\text{V}$, $V_{REF} = 1.25\text{V}$ $V_S = 5\text{V}, 0\text{V}$, $V_{REF} = 1.25\text{V}$ $V_S = 5\text{V}, 0\text{V}$, $V_{REF} = 2.5\text{V}$	● ● ●	-5 -5 -37	25 80 48	V V V
CMRR	Common Mode Rejection Ratio, RTI	$V_S = 3\text{V}, 0\text{V}$ (Note 7) $V_{CM} = -5\text{V}$ to 25V , $V_{REF} = 1.25\text{V}$ LT1990 LT1990A	● ●	57 67		dB dB
		$V_S = 5\text{V}, 0\text{V}$ $V_{CM} = -5\text{V}$ to 80V , $V_{REF} = 1.25\text{V}$ LT1990 LT1990A	● ●	57 67		dB dB
		$V_S = 5\text{V}, 0\text{V}$ (Note 7) $V_{CM} = -38\text{V}$ to 47V , $V_{REF} = 2.5\text{V}$ LT1990 LT1990A	● ●	57 67		dB dB
V_{OS}	Input Offset Voltage, RTI	$V_S = 3\text{V}, 0\text{V}$ $G = 1, 10$	● ●		4.5	mV
		$V_S = 5\text{V}, 0\text{V}$ $G = 1, 10$	● ●		4.5	mV
$V_{OS/T}$	Input Offset Voltage Drift, RTI	(Note 10)	●	5	22	$\mu\text{V}/^{\circ}\text{C}$
V_{OSH}	Input Offset Voltage Hysteresis, RTI	(Note 11)	●	230		μV
PSRR	Power Supply Rejection Ratio, RTI	$V_S = 2.7\text{V}$ to 12.7V $V_{CM} = V_{REF} = 1.25\text{V}$	●	76		dB

3V/5V ELECTRICAL CHARACTERISTICS

The ● denotes the specifications which apply over the temperature range of $-40^{\circ}\text{C} \leq T_A \leq 85^{\circ}\text{C}$. $V_S = 3\text{V}, 0\text{V}$; $V_S = 5\text{V}, 0\text{V}$; $R_L = 10\text{k}$, $V_{CM} = V_{REF} = \text{half supply}$, $G = 1, 10$, unless otherwise noted. (Notes 4, 6)

SYMBOL	PARAMETER	CONDITIONS	MIN	TYP	MAX	UNITS
	Minimum Supply Voltage	Guaranteed by PSRR	●		2.7	V
I_S	Supply Current	(Note 8)	●		170	μA
V_{OL}	Output Voltage Swing LOW	$-IN = V^+$, $+IN = \text{Half Supply}$ (Note 8)	●		70	mV
V_{OH}	Output Voltage Swing HIGH	$-IN = 0\text{V}$, $+IN = \text{Half Supply}$	●		200	mV
		$V_S = 3\text{V}, 0\text{V}$, Below V^+ $V_S = 5\text{V}, 0\text{V}$, Below V^+	●		225	mV
I_{SC}	Output Short-Circuit Current	Short to GND (Note 9)	●	2		mA
		Short to V^+ (Note 9)	●	8		mA

$\pm 15\text{V}$ ELECTRICAL CHARACTERISTICS

$V_S = \pm 15\text{V}$, $R_L = 10\text{k}$, $V_{CM} = V_{REF} = 0\text{V}$, $G = 1, 10$, $T_A = 25^{\circ}\text{C}$, unless otherwise noted. (Note 6)

SYMBOL	PARAMETER	CONDITIONS	MIN	TYP	MAX	UNITS
G	Gain	Pins 5 and 8 = Open Pins 5 and 8 = V_{REF}		1 10		
ΔG	Gain Error	$V_{OUT} = \pm 10\text{V}$ LT1990, $G = 1$ LT1990A, $G = 1$ $G = 10$		0.4 0.07 0.2	0.6 0.28 0.8	% % %
GNL	Gain Nonlinearity	$V_{OUT} = \pm 10\text{V}$ $G = 1$ $G = 10$		0.0008 0.005	0.002 0.02	% %
V_{CM}	Input Voltage Range	Guaranteed by CMRR	-250		250	V
CMRR	Common Mode Rejection Ratio, RTI	$V_{CM} = -250\text{V}$ to 250V LT1990 LT1990A	60	68		dB
			70	75		dB
V_{OS}	Offset Voltage, RTI	$G = 1, 10$		0.9	5.2	mV
e_n	Input Noise Voltage, RTI	$f_0 = 0.1\text{Hz}$ to 10Hz		22		μV_{P-P}
	Noise Voltage Density, RTI	$f_0 = 1\text{kHz}$		1		$\mu\text{V}/\sqrt{\text{Hz}}$
R_{IN}	Input Resistance	Differential Common Mode		2		$\text{M}\Omega$
				0.5		$\text{M}\Omega$
PSRR	Power Supply Rejection Ratio, RTI	$V_S = \pm 1.35\text{V}$ to $\pm 18\text{V}$	82	100		dB
	Minimum Supply Voltage	Guaranteed by PSRR		± 1.2	± 1.35	V
I_S	Supply Current			140	180	μA
V_{OUT}	Output Voltage Swing		± 14.5	± 14.79		V
I_{SC}	Output Short-Circuit Current	Short to V^-	6	9		mA
		Short to V^+	15	22		mA
BW	Bandwidth	$G = 1$		105		kHz
		$G = 10$		7		kHz
SR	Slew Rate	$G = 1$, $V_{OUT} = \pm 10\text{V}$	0.3	0.55		$\text{V}/\mu\text{s}$
	Settling Time to 0.01%	10V Step, $G = 1$		60		μs
AV_{REF}	Reference Gain to Output			1 ± 0.0007		

±15V ELECTRICAL CHARACTERISTICS

The ● denotes the specifications which apply over the temperature range of $0^{\circ}\text{C} \leq T_A \leq 70^{\circ}\text{C}$. $V_S = \pm 15\text{V}$, $R_L = 10\text{k}$, $V_{\text{CM}} = V_{\text{REF}} = 0\text{V}$, $G = 1, 10$, unless otherwise noted. (Notes 4, 6)

SYMBOL	PARAMETER	CONDITIONS	MIN	TYP	MAX	UNITS
ΔG	Gain Error	$V_{\text{OUT}} = \pm 10\text{V}$			0.65	%
		LT1990, $G = 1$	●		0.33	%
		LT1990A, $G = 1$	●		0.9	%
GNL	Gain Nonlinearity	$V_{\text{OUT}} = \pm 10\text{V}$			0.0025	%
		$G = 1$	●		0.025	%
G/T	Gain vs Temperature	$G = 1$ (Note 10)	●	2	10	ppm/ $^{\circ}\text{C}$
		$G = 10$ (Note 10)	●	7	20	ppm/ $^{\circ}\text{C}$
V_{CM}	Input Voltage Range	Guaranteed by CMRR	●	-250	250	V
CMRR	Common Mode Rejection Ratio, RTI	$V_{\text{CM}} = -250\text{V}$ to 250V				
		LT1990	●	59		dB
		LT1990A	●	68		dB
V_{OS}	Input Offset Voltage, RTI	$G = 1, 10$	●		6.2	mV
V_{OS}/T	Input Offset Voltage Drift, RTI	(Note 10)	●	5	22	$\mu\text{V}/^{\circ}\text{C}$
V_{OSH}	Input Offset Voltage Hysteresis, RTI	(Note 11)	●	250		μV
PSRR	Power Supply Rejection Ratio, RTI	$V_S = \pm 1.35\text{V}$ to $\pm 16\text{V}$		80		dB
	Minimum Supply Voltage	Guaranteed by PSRR	●		± 1.35	V
I_S	Supply Current		●		230	μA
V_{OUT}	Output Voltage Swing		●	± 14.4		V
I_{SC}	Output Short-Circuit Current	Short to V^-	●	5		mA
		Short to V^+	●	13		mA
SR	Slew Rate	$G = 1, V_{\text{OUT}} = \pm 10\text{V}$	●	0.25		$\text{V}/\mu\text{s}$

±15V ELECTRICAL CHARACTERISTICS

The ● denotes the specifications which apply over the temperature range of $-40^{\circ}\text{C} \leq T_A \leq 85^{\circ}\text{C}$. $V_S = \pm 15\text{V}$, $R_L = 10\text{k}$, $V_{\text{CM}} = V_{\text{REF}} = 0\text{V}$, $G = 1, 10$, unless otherwise noted. (Notes 4, 6)

SYMBOL	PARAMETER	CONDITIONS	MIN	TYP	MAX	UNITS
ΔG	Gain Error	$V_{\text{OUT}} = \pm 10\text{V}$				
		LT1990, G = 1	●		0.67	%
		LT1990A, G = 1	●		0.35	%
		G = 10	●		0.9	%
GNL	Gain Nonlinearity	$V_{\text{OUT}} = \pm 10\text{V}$				
		G = 1	●		0.003	%
		G = 10	●		0.03	%
G/T	Gain vs Temperature	G = 1 (Note 10)	●	2	10	ppm/°C
		G = 10 (Note 10)	●	7	20	ppm/°C
V_{CM}	Input Voltage Range	Guaranteed by CMRR	●	-250	250	V
CMRR	Common Mode Rejection Ratio, RTI	$V_{\text{CM}} = -250\text{V}$ to 250V				
		LT1990	●	58		dB
		LT1990A	●	67		dB
V_{OS}	Input Offset Voltage, RTI	G = 1, 10	●		6.7	mV
V_{OS}/T	Input Offset Voltage Drift, RTI	(Note 10)	●	5	22	μV/°C
V_{OSH}	Input Offset Voltage Hysteresis, RTI	(Note 11)	●	250		μV
PSRR	Power Supply Rejection Ratio, RTI	$V_S = \pm 1.35\text{V}$ to $\pm 18\text{V}$	●	78		dB
		Minimum Supply Voltage	●		±1.35	V
I_S	Supply Current				280	μA
V_{OUT}	Output Voltage Swing		●	±14.3		V
I_{SC}	Output Short-Circuit Current	Short to V^-	●	3		mA
		Short to V^+	●	10		mA
SR	Slew Rate	G = 1, $V_{\text{OUT}} = \pm 10\text{V}$	●	0.2		V/μs

Note 1: Absolute Maximum Ratings are those values beyond which the life of a device may be impaired.

Note 2: ESD (Electrostatic Discharge) sensitive device. Extensive use of ESD protection devices are used internal to the LT1990, however, high electrostatic discharge can damage or degrade the device. Use proper ESD handling precautions.

Note 3: A heat sink may be required to keep the junction temperature below absolute maximum.

Note 4: The LT1990C/LT1990I are guaranteed functional over the operating temperature range of -40°C to 85°C .

Note 5: The LT1990C is guaranteed to meet the specified performance from 0°C to 70°C and is designed, characterized and expected to meet specified performance from -40°C to 85°C but is not tested or QA sampled at these temperatures. The LT1990I is guaranteed to meet specified performance from -40°C to 85°C .

Note 6: G = 10 limits are guaranteed by correlation to G = 1 tests and gain error tests at G = 10.

Note 7: Limits are guaranteed by correlation to -5V to 80V CMRR tests.

Note 8: $V_S = 3\text{V}$ limits are guaranteed by correlation to $V_S = 5\text{V}$ and $V_S = \pm 15\text{V}$ tests.

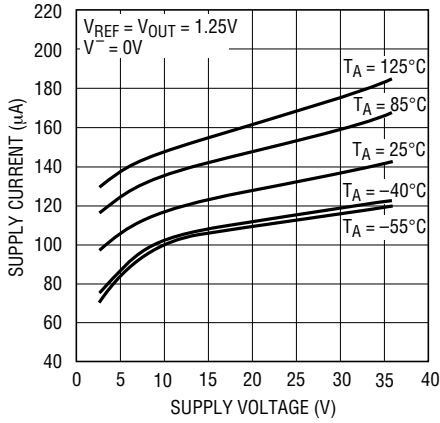
Note 9: $V_S = 5\text{V}$ limits are guaranteed by correlation to $V_S = 3\text{V}$ and $V_S = \pm 15\text{V}$ tests.

Note 10: This parameter is not 100% tested.

Note 11: Hysteresis in offset voltage is created by package stress that differs depending on whether the IC was previously at a higher or lower temperature. Offset voltage hysteresis is always measured at 25°C , but the IC is cycled to 85°C I-grade (or 70°C C-grade) or -40°C I-grade (0°C C-grade) before successive measurement.

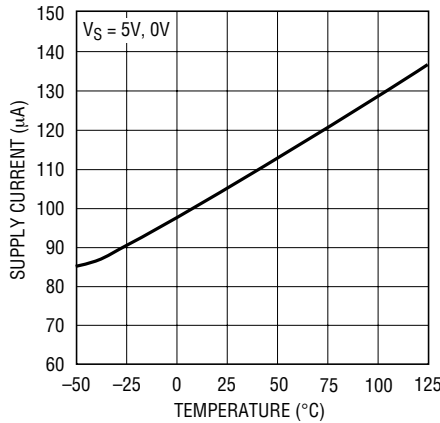
TYPICAL PERFORMANCE CHARACTERISTICS

Supply Current vs Supply Voltage



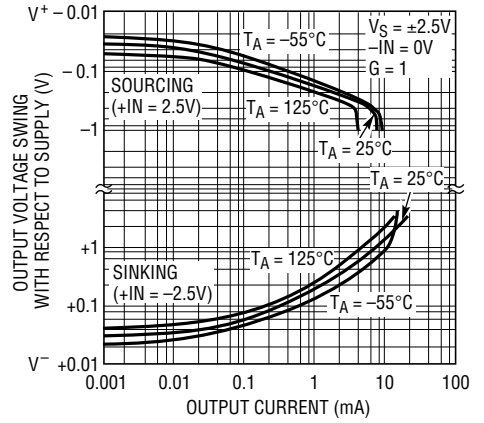
1990 G01

Supply Current vs Temperature



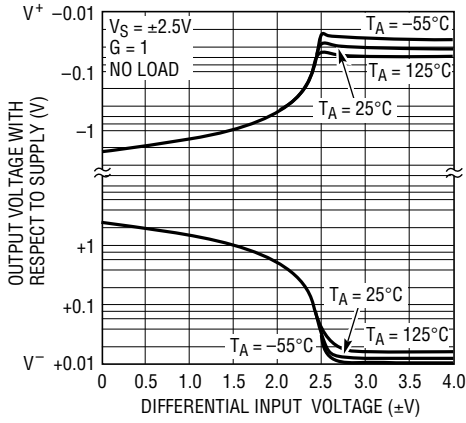
1990 G02

Output Voltage Swing vs Load Current



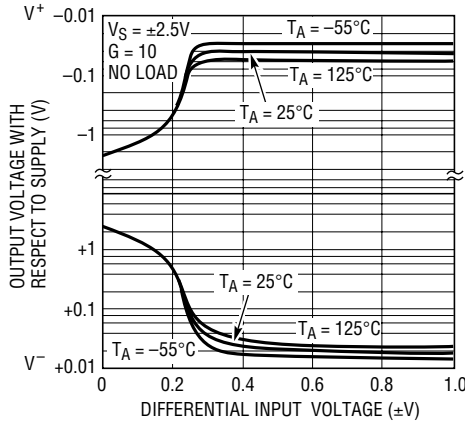
1990 G03

Output Voltage vs Input Voltage, G = 1



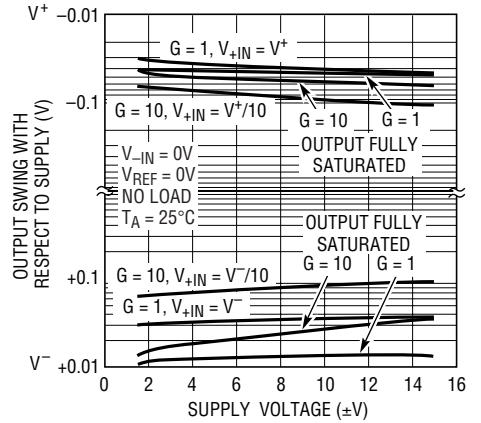
1990 G04

Output Voltage vs Input Voltage, G = 10



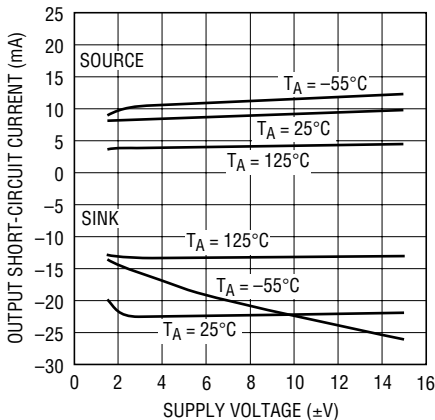
1990 G05

Output Voltage Swing vs Supply Voltage



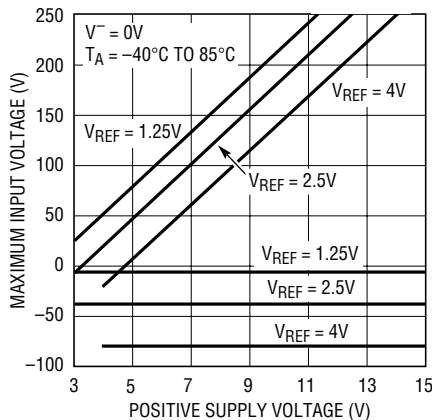
1990 G06

Output Short-Circuit Current vs Supply Voltage



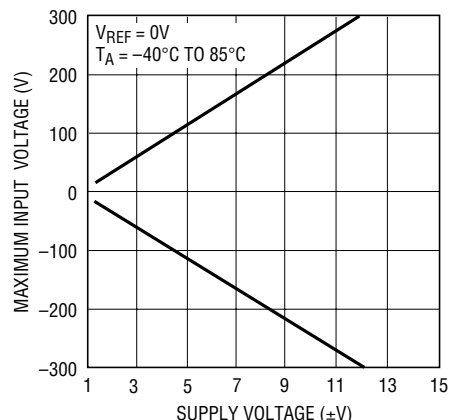
1990 G07

Input Voltage Range vs Single Supply Voltage



1990 G08

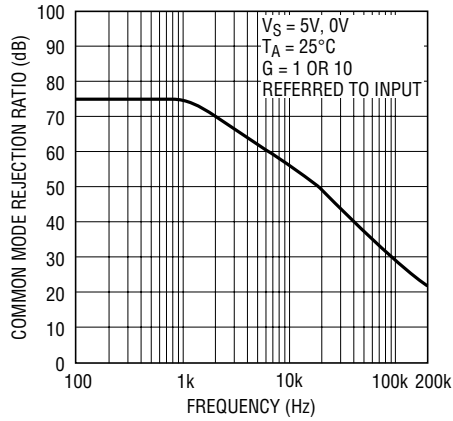
Input Voltage Range vs Split Supply Voltage



1990 G09

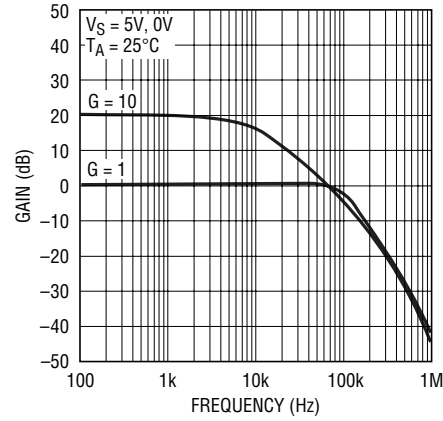
TYPICAL PERFORMANCE CHARACTERISTICS

Common Mode Rejection Ratio vs Frequency



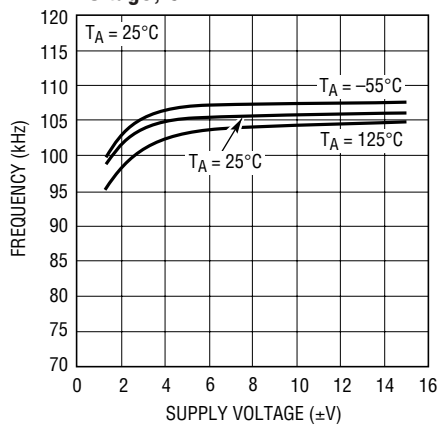
1990 G10

Gain vs Frequency



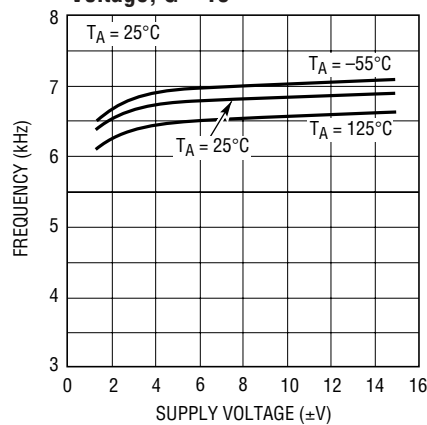
1990 G12

-3dB Bandwidth vs Supply Voltage, $G = 1$



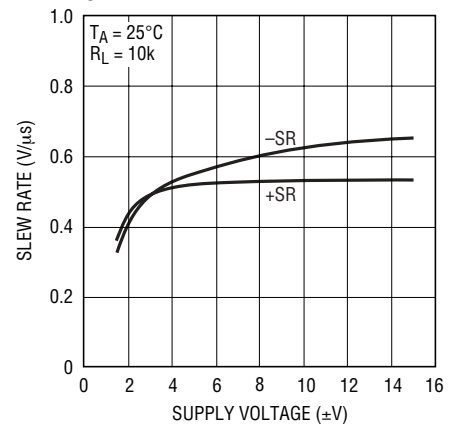
1990 G13

-3dB Bandwidth vs Supply Voltage, $G = 10$



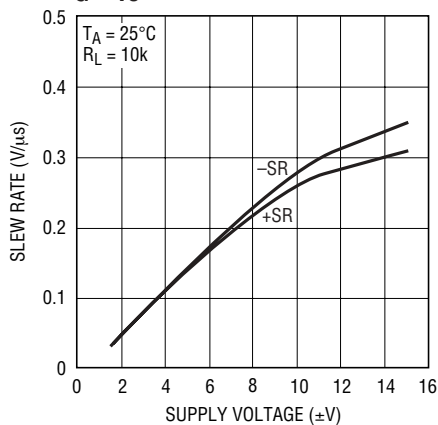
1990 G14

Slew Rate vs Supply Voltage, $G = 1$



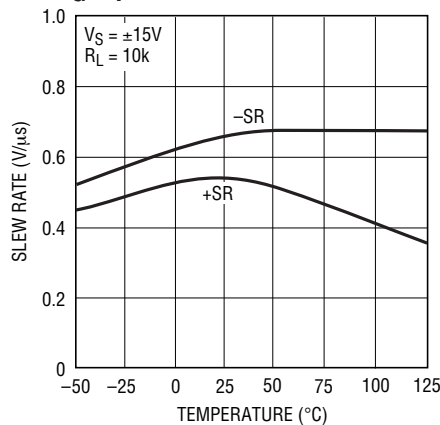
1990 G15

Slew Rate vs Supply Voltage, $G = 10$



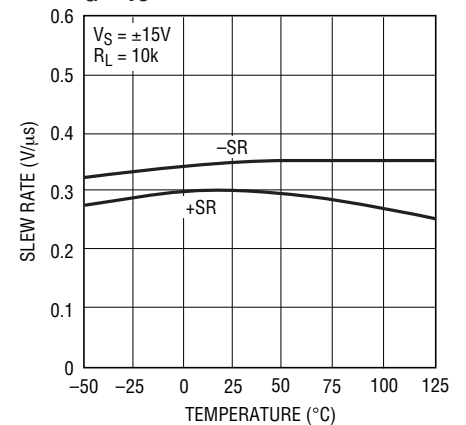
1990 G16

Slew Rate vs Temperature, $G = 1$



1990 G17

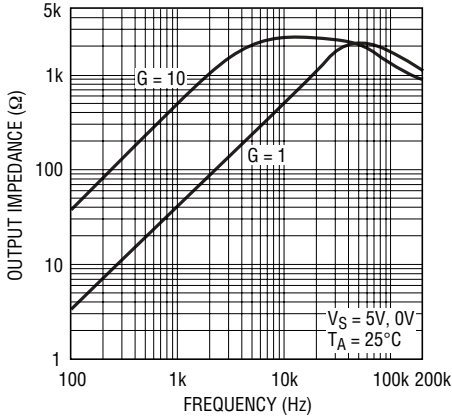
Slew Rate vs Temperature, $G = 10$



1990 G18

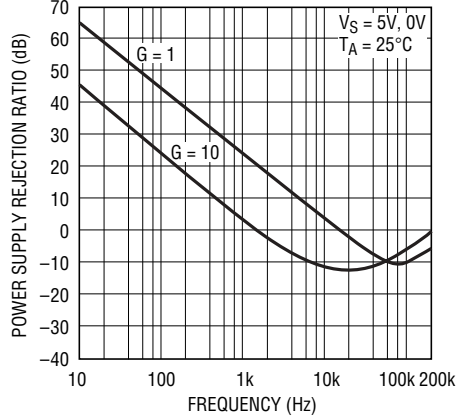
TYPICAL PERFORMANCE CHARACTERISTICS

Output Impedance vs Frequency



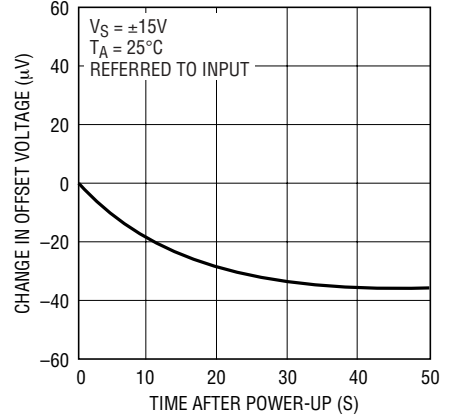
1990 G19

Power Supply Rejection Ratio vs Frequency



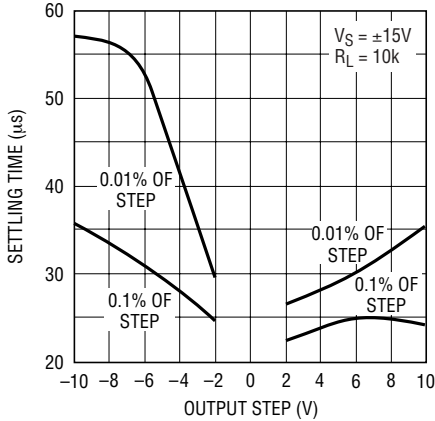
1990 G20

Warm-Up Drift vs Time



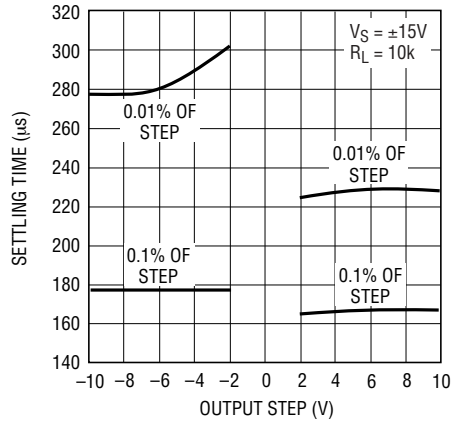
1990 G21

Settling Time vs Output Step, G = 1



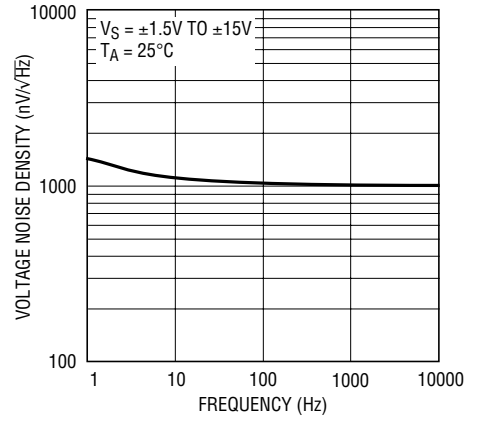
1990 G22

Settling Time vs Output Step, G = 10



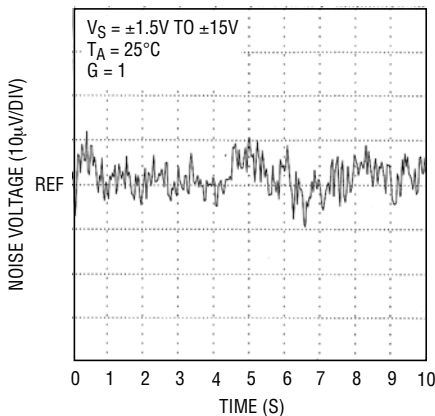
1990 G23

Voltage Noise Density vs Frequency



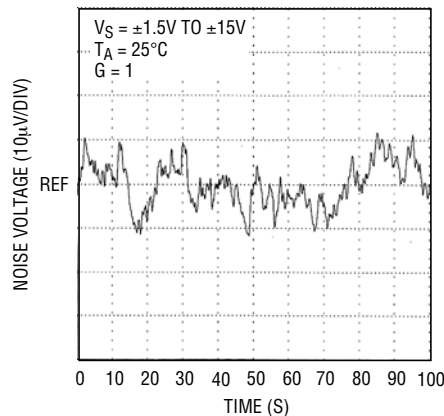
1990 G24

0.1 to 10Hz Noise Voltage



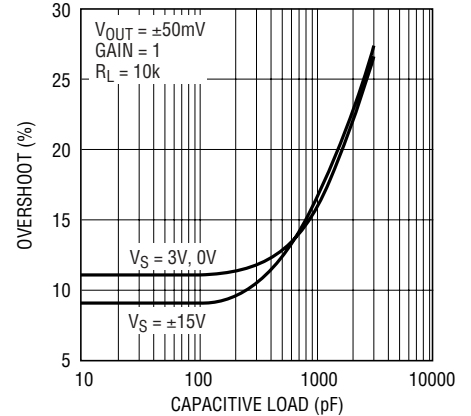
1990 G25

0.01 to 1Hz Noise Voltage



1990 G26

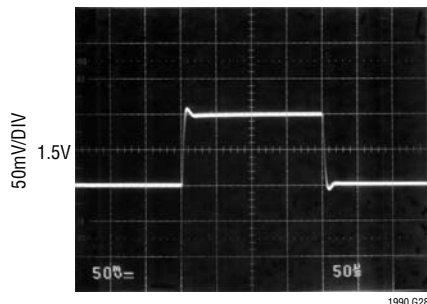
Overshoot vs Capacitive Load



1990 G27

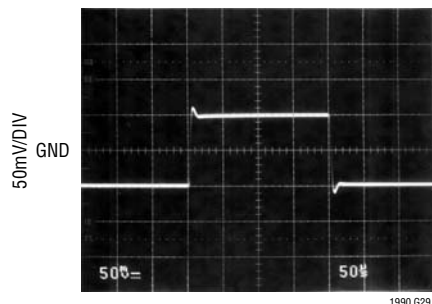
TYPICAL PERFORMANCE CHARACTERISTICS

Small Signal Transient Response



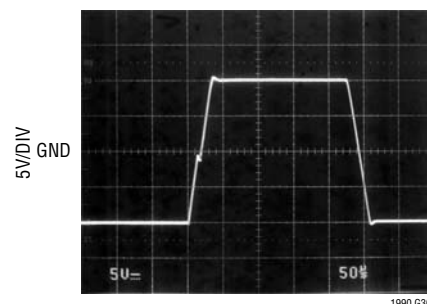
$V_S = 3V, 0V$
 $G = 1, -1$
 $R_L = 10k$
 $V_{REF} = 1.5V$
 50µs/DIV
 1990 G28

Small Signal Transient Response



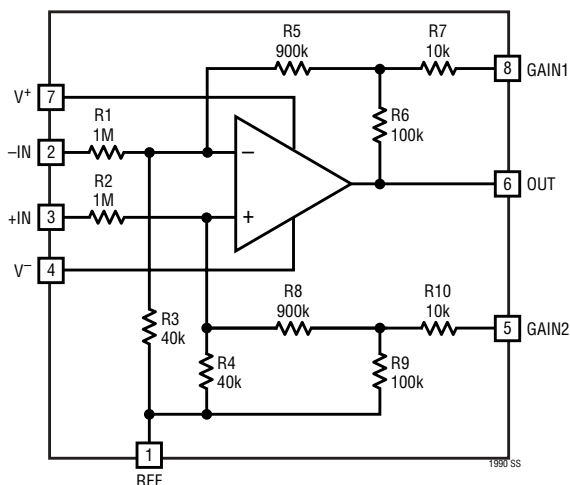
$V_S = \pm 15V$
 $G = 1, -1$
 $R_L = 10k$
 $V_{REF} = GND$
 50µs/DIV
 1990 G29

Large Signal Transient Response



$V_S = \pm 15V$
 $G = 1, -1$
 $R_L = 10k$
 $V_{REF} = GND$
 50µs/DIV
 1990 G30

BLOCK DIAGRAM



PIN FUNCTIONS

REF (Pin 1): Reference Input. Sets the output level when the difference between the inputs is zero.

-IN (Pin 2): Inverting Input. Connects a 1MΩ resistor to the op amp's inverting input. Designed to permit high voltage operation.

+IN (Pin 3): Noninverting Input. Connects a 1MΩ resistor to the op amp's noninverting input. Designed to permit high voltage operation.

V⁻ (Pin 4): Negative Power Supply. Can be either ground (in single supply applications) or a negative voltage (in split supply applications).

GAIN2 (Pin 5): Gain = 10 Select Input. Configures the amplifier for a gain of 10 when connected to the GAIN1 pin. The gain is equal to one when both GAIN2 and GAIN1 are open. See Applications section for additional functions.

OUT (Pin 6): Output. $V_{OUT} = G \cdot (V_{+IN} - V_{-IN}) + V_{REF}$, in the basic configuration.

V⁺ (Pin 7): Positive Power Supply. Can range from 2.7V to 36V above the V⁻ voltage.

GAIN1 (Pin 8): Gain = 10 Select Input. Configures the amplifier for a gain of 10 when connected to the GAIN2 pin. The gain is equal to one when both GAIN1 and GAIN2 are open. See Applications section for additional functions.

APPLICATIONS INFORMATION

Primary Features

The LT1990 is a complete gain-block solution for high input common mode voltage applications, incorporating a low power precision operational amplifier providing rail-to-rail output swing along with on-chip precision thin-film resistors for high accuracy. The Block Diagram shows the internal architecture of the part. The on-chip resistors form a modified difference amplifier including a reference port for introducing offset or other additive waveforms. With pin-strapping alone either unity gain or gain of 10 is produced with high precision. The resistor network is designed to produce internal common-mode voltage division of 27 so that a very large input range is available compared to the power supply voltage(s) used by the LT1990 itself. The LT1990 is ideally suited to situations where relatively small signals need to be extracted from high voltage circuits, as is the case in many current monitoring instrumentation applications for example. With the ability to accept a range of input voltages well outside the limits of the local power rails and its greater than 1MΩ input impedances, development of precision low power over-the-top and under-the-bottom instrumentation designs is greatly simplified with the LT1990 single chip solution over conventional discrete implementations.

Classic Difference Amplifier

Used in the basic difference amplifier topology where the gain G is pin-strap configurable to be unity or ten, the following relationship is realized:

$$V_O = G \cdot (V_{+IN} - V_{-IN}) + V_{REF}$$

To operate in unity gain, the GAIN1 and GAIN2 pins are left disconnected. For $G = 10$ operation, the GAIN1 and GAIN2 pins are simply connected together or tied to a common potential such as ground or V^- .

The input common mode range capability is up to $\pm 250V$, governed by the following relationships:

For $G = 1$ and $G = 10$ where GAIN1 and GAIN2 are only tied together (not grounded, etc):

$$V_{CM+} \leq 27 \cdot V^+ - 26 \cdot V_{REF} - 23$$

$$V_{CM-} \geq 27 \cdot V^- - 26 \cdot V_{REF} + 27$$

For $G = 10$ where GAIN1 and GAIN2 are tied to a common potential V_{GAIN} :

$$V_{CM+} \leq 27 \cdot V^+ - 26 \cdot V_{REF} - 23 - V_{GAIN}$$

$$V_{CM-} \geq 27 \cdot V^- - 26 \cdot V_{REF} + 27 - V_{GAIN}$$

For split supplies over about $\pm 11V$, the full $\pm 250V$ common mode range is normally available (with V_{REF} a small fraction of the supply). With lower supply voltages, an appropriate selection of V_{REF} can tailor the input common mode range to a specific requirement. As an example, the following low supply voltage scenarios are readily implemented with the LT1990:

Supply	V_{REF}	V_{CM} Range
+3V	1.25V	-5V to 25V (e.g. 12V automotive environment)
+5V	1.25V	-5V to 80V (e.g. 42V automotive environment)
+5V	4.00V	-77V to 8V (e.g. telecom environment; use downward signaling)

Configuring Other Gains

An intermediate gain G ranging between 1 and 10 may be produced by placing an adjustable resistance between the GAIN1 and GAIN2 pins according to the following nominal relationship:

$$R_{GAIN} \approx (180k/(G - 1)) - 20k$$

While the expression is exact, the value is approximate because the absolute resistance of the internal network could vary on a unit-to-unit basis by as much as $\pm 30\%$ from the nominal figures and the external gain resistance is required to accommodate that deviation. Once adjusted, however, the gain stability is excellent by virtue of the $-30ppm/^\circ C$ typical temperature coefficient offered by the on-chip thin-film resistor process.

Preserving and Enhancing Common Mode Rejection

The basic difference amplifier topology of the LT1990 requires that source impedances seen by the input pins +IN and -IN, should be matched to within a few tens of ohms to avoid increasing common mode induced errors beyond the basic production limits of the part. Known source imbalances beyond that level should be compensated for by the addition of series resistance to the lower-

APPLICATIONS INFORMATION

impedance source. Also the source impedance of a signal connected to the REF pin must be on the order of a few ohms or less to preserve the high accuracy of the LT1990.

While the LT1990 comes from the factory with an excellent CMRR, some precision applications with a large applied common mode voltage may require a method to trim out residual common mode error. This is easily accomplished by adding series resistance to each input, +IN and -IN, such that an adjustable resistance difference of $\pm 1\text{k}\Omega$ is provided. This is most easily realized by adding a fixed $1\text{k}\Omega$ in series with one of the inputs, and a $2\text{k}\Omega$ trimmer in series with the other as shown in Figure 1. The trim range of this configuration is $\pm 0.1\%$ for the internal gain resistor matching, so a much more finely resolved correction is available using the LT1990 than is realizable with ordinary discrete solutions. In applications where the input common mode voltage is relatively constant and large (perhaps at or beyond the supply range), this same configuration can be treated as an offset adjustment.

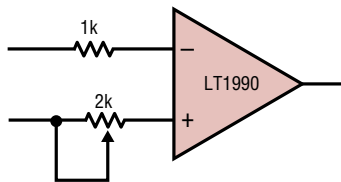


Figure 1. Optional CMRR Trim

Dual Differential-Input Arithmetic Block

The internal resistor network topology of the LT1990 allows the GAIN1 and GAIN2 pins to be used as another differential input in addition to the normal +IN and -IN port. This can be a very useful function for implementing servo-loop differential error amplifiers, for example. In this mode of operation, the output is governed by the following relationship:

$$V_O = 10 \cdot (V_{+IN} - V_{-IN} + V_{GAIN2} - V_{GAIN1}) + V_{REF}$$

Unlike the main inputs, the GAIN1 and GAIN2 pins are clamped by substrate diodes and ESD structures, thus the operating voltage range of these pins is limited to $V^- - 0.2\text{V}$ to $V^+ + 36\text{V}$. If the GAIN inputs are brought beyond the operating input range, care must be taken to limit the input currents to less than 10mA to prevent damage to the device. Also, since the gain setting resistors associated with the GAIN1 and GAIN2 inputs are in the $10\text{k}\Omega$ area, low source impedances are particularly important to preserve the precision of the LT1990.

This dual differential input mode of operation is used in the circuit as shown in Figure 2.

This circuit is a high efficiency H-bridge driver that is PWM modulated to provide a controlled current to an electro-magnet coil. Since the common mode voltage of the current sense resistor R_S varies with operating current and the coil properties, a differential feedback is required. In this application, it was desirable to allow the control input to utilize the wide common mode range port (+IN and -IN) so that constraints on input referencing are eliminated. The GAIN1 and GAIN2 pins always operate within the supply range and both ports operate with a gain of 10 to develop the loop error. The LTC1923 provides the loop integrator and PWM functions of the servo.

APPLICATIONS INFORMATION

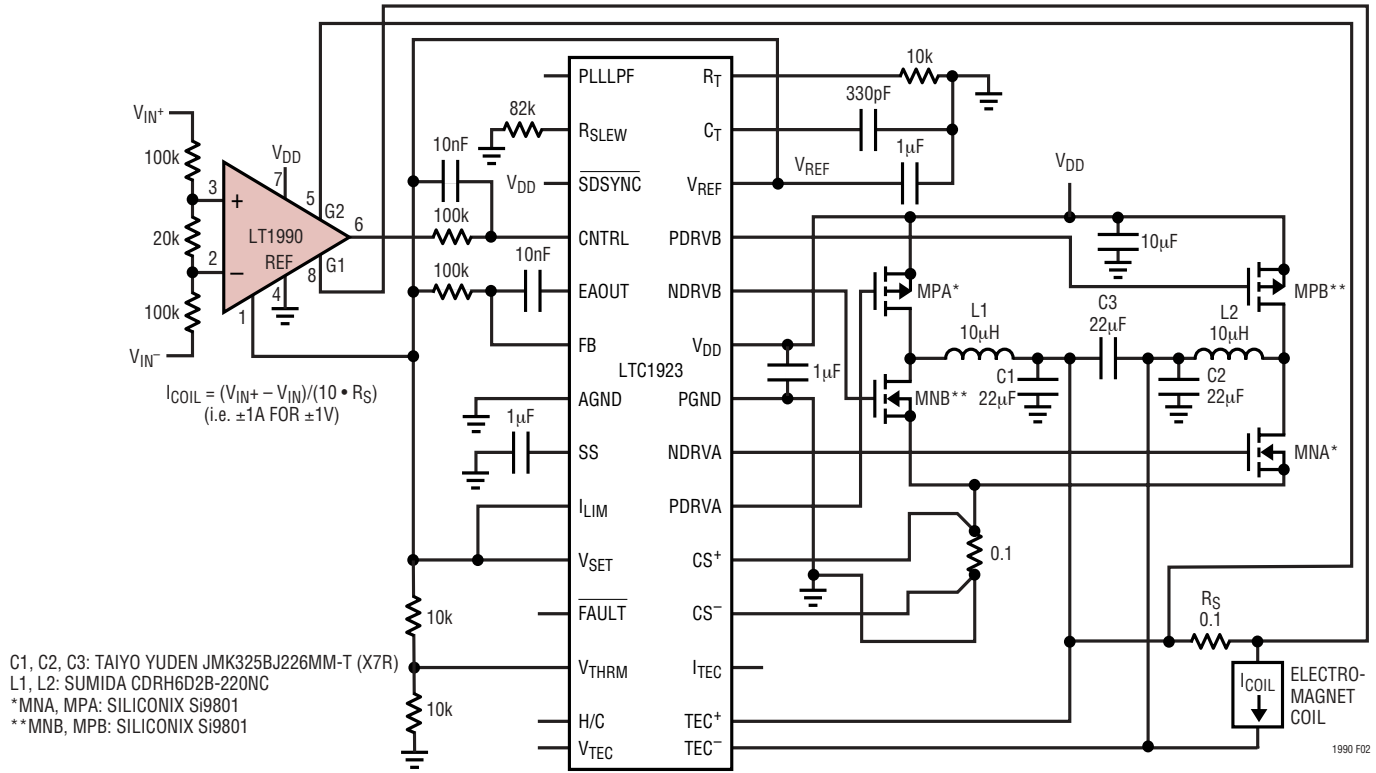
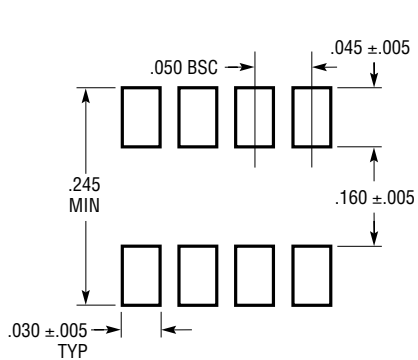


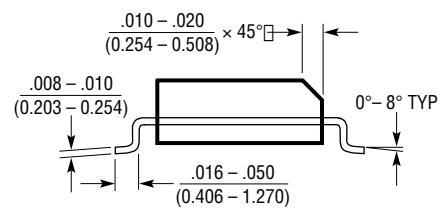
Figure 2. PWM-Based ±1A Electromagnet Current Controller

PACKAGE DESCRIPTION

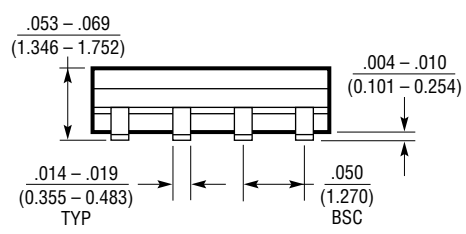
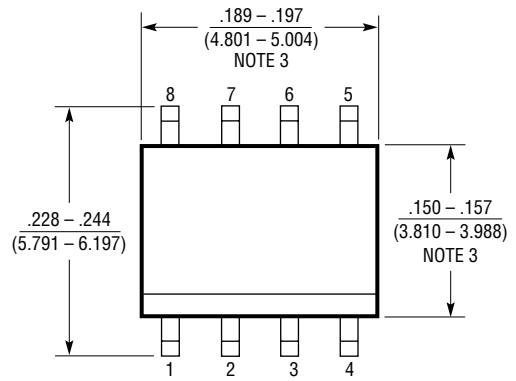
S8 Package 8-Lead Plastic Small Outline (Narrow .150 Inch) (Reference LTC DWG # 05-08-1610)



RECOMMENDED SOLDER PAD LAYOUT



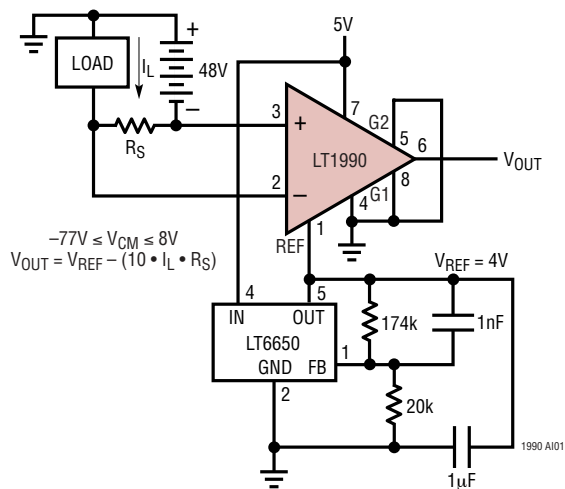
- NOTE:
 1. DIMENSIONS IN $\frac{\text{INCHES}}{\text{MILLIMETERS}}$
 2. DRAWING NOT TO SCALE
 3. THESE DIMENSIONS DO NOT INCLUDE MOLD FLASH OR PROTRUSIONS.
 MOLD FLASH OR PROTRUSIONS SHALL NOT EXCEED .006" (0.15mm)



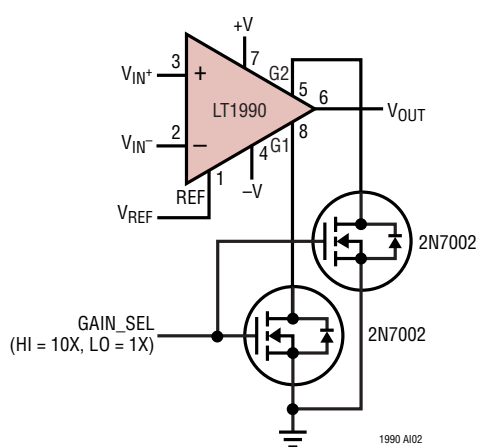
S08 0303

TYPICAL APPLICATION

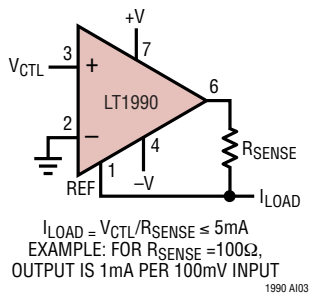
Telecom Supply Current Monitor



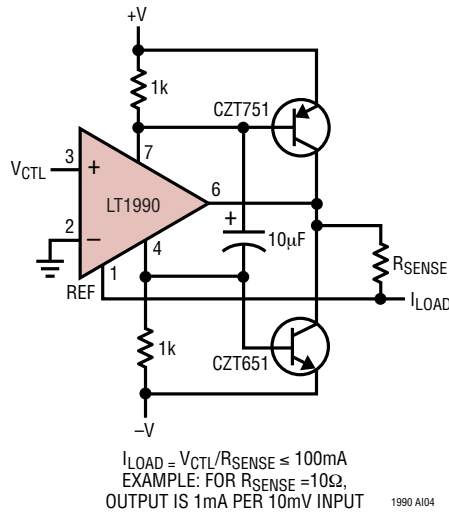
Selectable Gain Amplifier



Bidirectional Controlled Current Source



Boosted Bidirectional Controlled Current Source



RELATED PARTS

PART NUMBER	DESCRIPTION	COMMENTS
LT1787	Precision High Side Current Sense Amplifier	On-Chip Precision Resistor Array
LT1789	Micropower Instrumentation Amplifier	Micropower, Precision, G = 1 to 1000
LTC1921	Dual -48V Supply and Fuse Monitor	Withstands ±200V Transients
LT1991	High Accuracy Difference Amplifier	Micropower, Precision, Pin Selectable G = -13 to 14
LT1995	30MHz, 1000V/μs Gain Selectable Amplifier	Pin Selectable G = -7 to 8
LT6910	Single Supply Programmable Gain Amplifier	Digitally Controlled, SOT-23, G = 0 to 100