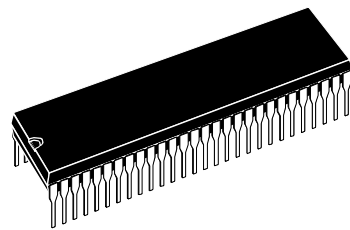




STV223XD/224XC

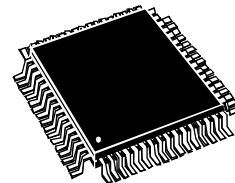
I²C BUS-CONTROLLED MULTISTANDARD SINGLE CHIP TV PROCESSOR

- I²C Bus Control
- PIF Circuit with PLL Demodulation (Positive and Negative Video)
- SIF Circuit with QSS Structure, FM Demodulation and AM Demodulation for France
- Inter-carrier Capability
- Built-in Sound Bandpass
- Sound Subcarrier Output for Stereo Chassis (FM, NICAM)
- Audio Switch and Volume Control (Mono Chassis)
- AVL (Automatic Volume Levelling)
- Integrated Chroma Filters and Luma Delay Line
- Integrated Chroma Delay Line
- Video Switch (3 CVBS In, 1 or 2 CVBS Out)
- SVHS Switch (Y Combined with CVBS3 Input)
- OSD RGB Inputs
- External RGB/YCrCb Inputs or YUV Interface
- PAL / SECAM / NTSC Chroma Demodulators
- Auto Flesh Control Capability in NTSC mode
- South America Capability (PAL-M / PAL-N / NTSC)
- Chroma Subcarrier Output
- Black Stretch Circuit
- Peaking Circuit
- Automatic Cut-off Current Loop
- Manual Cut-off possible for low-cost applications
- Two Horizontal Deflection PLLs
- Vertical Countdown
- Half Contrast
- APR (Automatic RGB Peak Regulation) Function
- SAW Filter Switch Control (Optional)
- Very Few External Components



SHRINK56
(Plastic Package)

ORDER CODE: STV224XC/8XC



TQFP64 (14 x 14 x 1.4 mm)
(Full Thin Plastic Quad Flat Pack)

ORDER CODE: STV223XD

Table of Contents

| | |
|---|-----------|
| 1 GENERAL DESCRIPTION | 3 |
| 1.1 INTRODUCTION | 3 |
| 1.2 PIN DESCRIPTION | 4 |
| 2 STV2238D MAIN FEATURES | 16 |
| 3 FUNCTIONAL DESCRIPTION | 17 |
| 3.1 DETAILED FEATURES | 17 |
| 3.1.1 Power Supplies | 17 |
| 3.1.2 Picture Intermediate Frequency (PIF) | 17 |
| 3.1.3 Sound Intermediate Frequency (SIF) and Sound Demodulators | 17 |
| 3.1.4 Audio Switch | 17 |
| 3.1.5 Surface Acoustic Wave (SAW) Filter Switch Control | 17 |
| 3.1.6 Video Switches | 17 |
| 3.2 DEFLECTION PART | 18 |
| 3.3 FILTERS | 19 |
| 3.4 VIDEO CIRCUIT | 20 |
| 3.5 CHROMA CIRCUIT | 21 |
| 3.6 CHROMA STANDARD IDENTIFICATION | 21 |
| 4 ELECTRICAL CHARACTERISTICS | 22 |
| 4.1 ABSOLUTE MAXIMUM RATINGS | 22 |
| 4.2 THERMAL DATA | 22 |
| 4.3 SUPPLY | 22 |
| 4.4 IF SECTION | 23 |
| 4.5 CVBS, Y/C, RGB INPUTS AND CVBS OUTPUTS | 27 |
| 4.6 LUMA PART | 30 |
| 4.7 FILTERS | 31 |
| 4.8 CHROMA PART | 31 |
| 4.9 SCANNING PART | 33 |
| 4.10 RGB CONTROL PART | 35 |
| 4.11 I ² C BUS CHARACTERISTICS | 39 |
| 5 I²C BUS SPECIFICATIONS | 40 |
| 6 I²C BUS SELECTION | 41 |
| 6.1 STV2238D: SUMMARY INPUT SIGNALS (WRITE MODE) | 41 |
| 6.2 STV2238D: SUMMARY OUTPUT SIGNALS (READ MODE) | 42 |
| 6.3 STV2238D: INPUT SIGNALS (WRITE MODE) | 43 |
| 6.4 OUTPUT SIGNALS (READ MODE) | 49 |
| 6.5 POWER-ON RESET - INITIAL BUS REGISTER CONDITIONS | 51 |
| 7 I²C BUS SPECIFICATION COMPATIBILITY | 52 |
| 8 INPUT/OUTPUT SCHEMATIC DIAGRAMS | 53 |
| 9 APPLICATION DIAGRAMS | 70 |
| 10 SUMMARY OF CHANGES | 74 |
| 11 GENERAL PACKAGE INFORMATION | 75 |
| 11.1 PACKAGE MECHANICAL DATA | 75 |

STV223XD/224XC - GENERAL DESCRIPTION

1 GENERAL DESCRIPTION

1.1 INTRODUCTION

The STV223XD/224X are fully bus-controlled ICs for TV that include PIF, SIF, Luma, Chroma and Deflection processing functions. Used with a vertical frame booster (TDA8174A for a 90° chassis,

STV9306 for a 110° chassis), they allow multistandard (BGDKIMNLL', PAL/SECAM/NTSC) sets to be designed with very few external components and no manual adjustments.

STV22XX Family Characteristics

| Package | Application | | | |
|----------|-----------------------|---------------------------|------------------------------------|---------------------------------|
| | PAL/NTSC Intercarrier | PAL/NTSC QSS/Intercarrier | PAL/SECAM/NTSC QSS/Intercarrier AM | PAL/SECAM/NTSC QSS/Intercarrier |
| SHRINK56 | STV2246C/86C | STV2247C | STV2248C | STV2249C |
| TQFP64 | STV2236D | STV2237D | STV2238D | STV2239D |

STV22XX IC Versions

| Function | IC Version | | | | | | | | |
|--------------------------------------|------------|-------|-------|-------|-------|--------|-------|-------|-------|
| | SHRINK56 | | | | | TQFP64 | | | |
| | 2246C | 2247C | 2248C | 2249C | 2286C | 2236D | 2237D | 2238D | 2239D |
| PAL/SECAM/NTSC | | | X | X | | | | X | X |
| PAL/NTSC | X | X | | | X | X | X | | |
| QSS/Intercarrier | | X | X | X | | | X | X | X |
| Intercarrier Only | X | | | | X | X | | | |
| AM | | | X | | | | | X | |
| 2 CVBS Outputs | X | X | X | X | X | X | X | X | X |
| 1 EXT RGB Input (OSD) | | | | | X | | | | |
| OSD RGB Inputs & RGBEXT/YCrCb Inputs | X | X | X | X | | X | X | X | X |
| YUV Interface | | | | | | | X | X | X |
| APR | X | X | X | X | X | X | X | X | X |
| Half Contrast | X | X | X | X | X | X | X | X | X |
| SAW Filter Control | | | | | | X | X | X | X |

STV223XD/224XC - GENERAL DESCRIPTION

1.2 PIN DESCRIPTION

Table 1. Pin Configuration

| Pin N° | | Symbol | Description |
|--------------|----------|--------------------|---|
| STV224XC/8XC | STV223XD | | |
| SDIP56 | TQFP64 | | |
| 1 | 8 | SIFIN1 | SIF Input (Please refer to Note 1) |
| 2 | 9 | SIFIN2 | SIF Input (Please refer to Note 1) |
| 3 | 10 | AGCSIFCAP | AGC SIF Capacitor (Please refer to Note 1) |
| 4 | 11 | V _{REFIF} | Voltage Reference Filtering |
| 5 | 12 | AGCPIFCAP | AGC PIF Capacitor |
| 6 | 13 | PIFIN1 | PIF Input |
| 7 | 14 | PIFIN2 | PIF Input |
| 8 | 16 | TUNERAGCOUT | AGC Tuner Output |
| 9 | 17 | IFPLL | IF PLL Filter |
| 10 | 18 | GND _{IF} | IF Ground |
| 11 | 19 | AM/FMOUT/SC | AM/FM Mono Sound or Stereo Carriers Output |
| 12 | 20 | V _{CCIF} | 5 V IF Supply |
| 13 | 21 | INTCVBSOUT | Internal CVBS Output |
| 14 | 22 | EXTAUDIOIN | External Audio Input |
| 15 | 23 | PIFLC1 | LC Input |
| 16 | 24 | PIFLC2 | LC Input |
| 17 | 25 | V _{CC2} | Video/Luma Supply Voltage (8 V) |
| 18 | 26 | CVBSIN1 | Internal Video Input |
| 19 | 27 | GND2 | Video/Luma Ground |
| 20 | 28 | CVBSIN2 | External Video Input |
| 21 | 29 | BS | Black Stretch Capacitor |
| 22 | 34 | Y/CVBSIN3 | Y(SVHS) or CVBS3 External Input |
| 23 | 35 | CHR | Chroma (SVHS) Input |
| - | 37 | UIN | B-Y Input (Please refer to Note 1) |
| - | 38 | VIN | R-Y Input (Please refer to Note 1) |
| - | 39 | YIN | Y Input (Please refer to Note 1) |
| - | 40 | YOUT | Y Output (Please refer to Note 1) |
| - | 41 | VOUT | R-Y Output (Please refer to Note 1) |
| - | 42 | UOUT | B-Y Output (Please refer to Note 1) |
| 30 | 43 | BOUT | Blue Output |
| 31 | 44 | GOUT | Green Output |
| 32 | 45 | ROUT | Red Output |
| 33 | 46 | I _{CATH} | Cathode Current Measurement Input |
| 34 | 47 | BOSD | OSD Blue Input |
| 35 | 48 | GOSD | OSD Green Input |
| 36 | 49 | ROS | OSD Red Input |
| 37 | 50 | FBOSD/HC | OSD Fast Blanking Input / Half Contrast on SDIP56 package |
| 38 | 52 | XTAL3/BTUN | 3.5X MHz Crystal or Cloche Filter Tuning Capacitor |
| 39 | 53 | XTAL2 | 3.5X MHz Crystal |
| 40 | 54 | XTAL1 | 4.43/3.5X MHz Crystal |
| 41 | 55 | CLPF | Chroma PLL Filter |
| 42 | 56 | X1/VAMP/CHROUT | XTAL1 Control Pin, Vertical Amplitude DAC Output and Chroma Reference Signal Output |

STV223XD/224XC - GENERAL DESCRIPTION

| Pin N° | | Symbol | Description |
|------------------------|--------------------|------------------|--|
| STV224XC/8XC SDIP56 | STV223XD TQFP64 | | |
| 43 | 57 | GND1 | Chroma/Scanning Ground |
| - | 58 | CVBSOUT1 | Main Video Switch Output |
| 45 | 59 | V _{CC1} | Chroma/Scanning Power Supply (8 V) |
| 46 | 61 | BCL/SAF | Beam Current Limiter Control Voltage and Safety Input (XRAY) |
| 47 | 62 | VERT | Vertical Output Pulse |
| 48 | 63 | HOUT | Horizontal Output Pulse |
| 49 | 64 | LFB/SSC | Line Flyback Input and Super-Sandcastle Output |
| 50 | 1 | SLPF | Scanning PLL Filter |
| 51 | 2 | SCL | I ² C Bus Clock Input |
| 52 | 3 | SDA | I ² C Bus Data Input |
| 53 | 4 | V _{CCD} | Digital Supply Voltage (5 V) |
| 54 | 5 | GNDD | Digital Ground |
| 55 | 6 | AUDIOOUT | Main Audio Output |
| 56 | 7 | FMCAP | FM Demodulation Capacitor |
| - | 15 | SAW | Filter Switch Control |
| 25 | 30 | BEXT/Cb | External Blue Input or external Cb Input (Please refer to Note 2) |
| 26 | 31 | GEXT/Y | External Green Input or external Y Input (Please refer to Note 2) |
| 27 | 32 | REXT/Cr | External Red Input or external Cr Input (Please refer to Note 2) |
| 28 | 33 | FBEXT | External Fast Blanking Input (Please refer to Note 3) |
| 24 | 36 | APR | Automatic RGB Peak Regulation |
| - | 51 | HC | Half Contrast Input |
| 44 | 60 | CVBSOUT2 | Second Video Switch Output |
| 29 | - | NTBC/CVBSOUT1 | Not To Be Connected or CVBS Output 1 (Please refer to Note 4) |

Note 1: Input/Output not available in STV2246C/86C and STV2236D versions. This pin must not be connected.

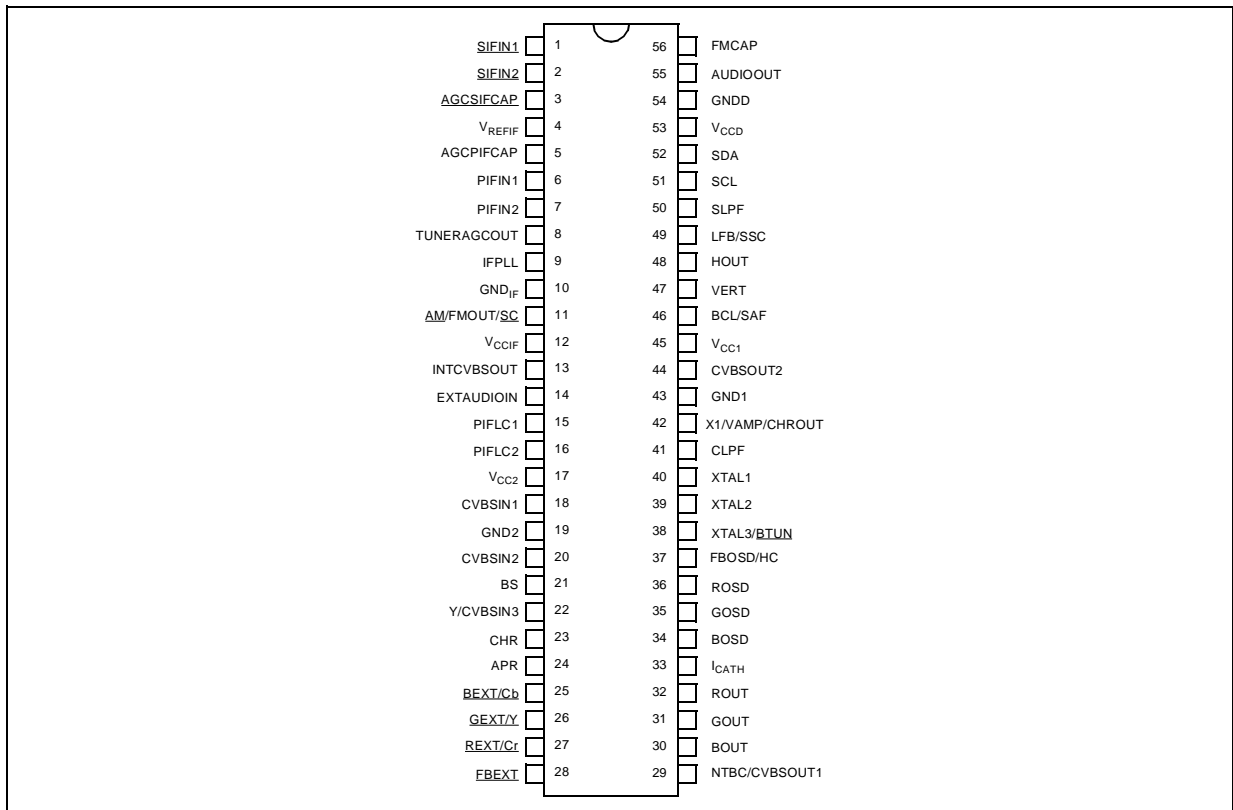
Note 2: When REXT, GEXT and BEXT pins are not used, they must not be connected. Register 0Ah must be set (d7 and d6 = 01). (RGB external inputs disabled.)

Note 3: FBEXT to be connected to ground when not used.

Note 4: CVBS output 1 on pin 29 (SDIP56), if register 1Dh = 07h.

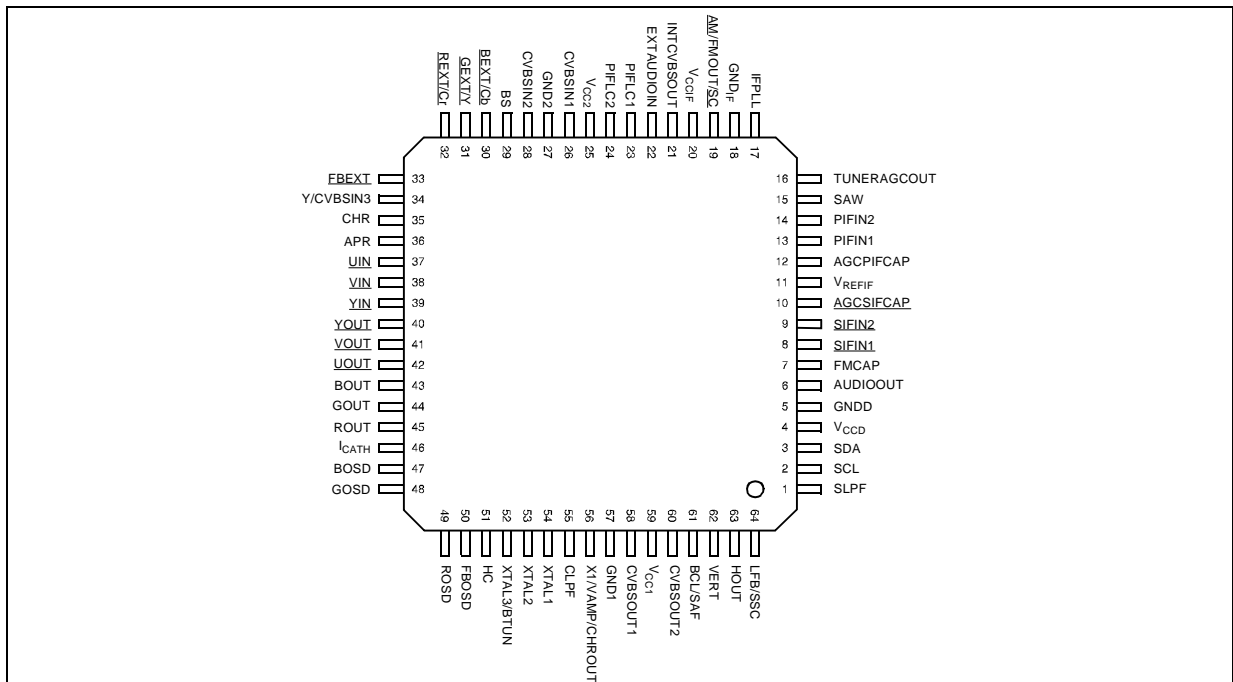
STV223XD/224XC - GENERAL DESCRIPTION

Figure 1. STV224XC/8XC Pinout (SDIP56)



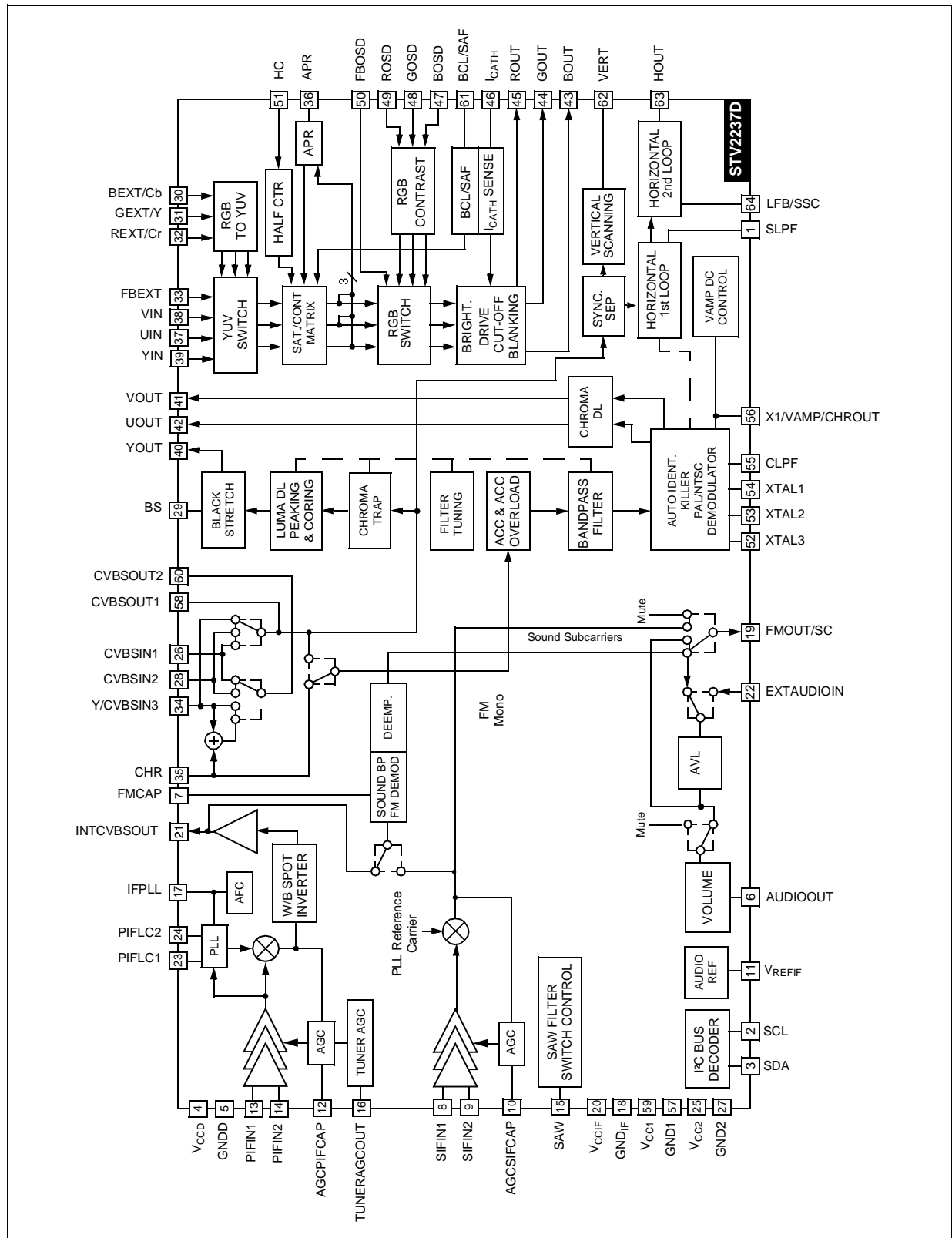
Note: Underlined pin functions are optional.

Figure 2. STV223XD Pinout (TQFP64)



STV223XD/224XC - GENERAL DESCRIPTION

Figure 4. STV2237D (TQFP64) Block Diagram



STV223XD/224XC - GENERAL DESCRIPTION

Figure 6. STV2239D (TQFP64) Block Diagram

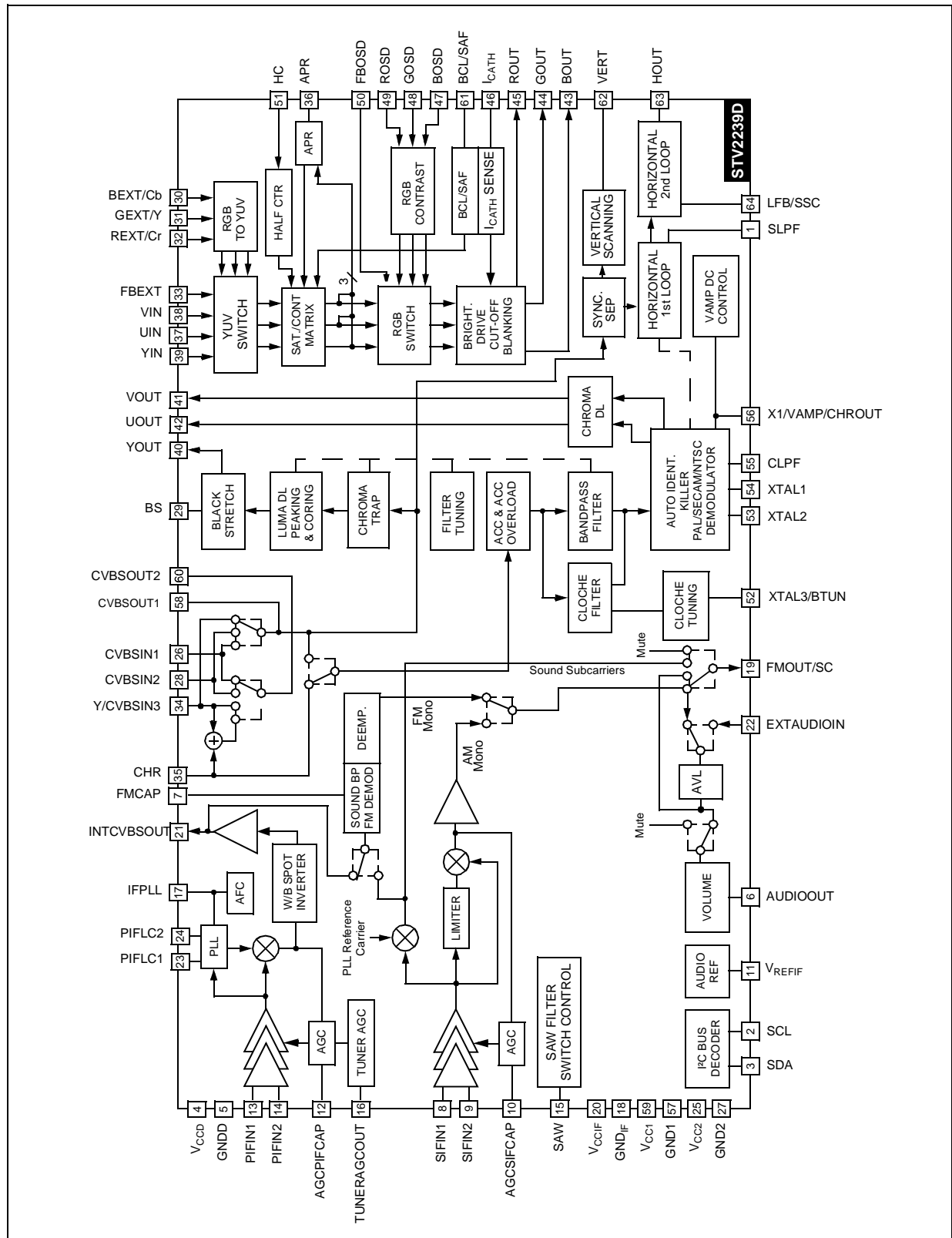
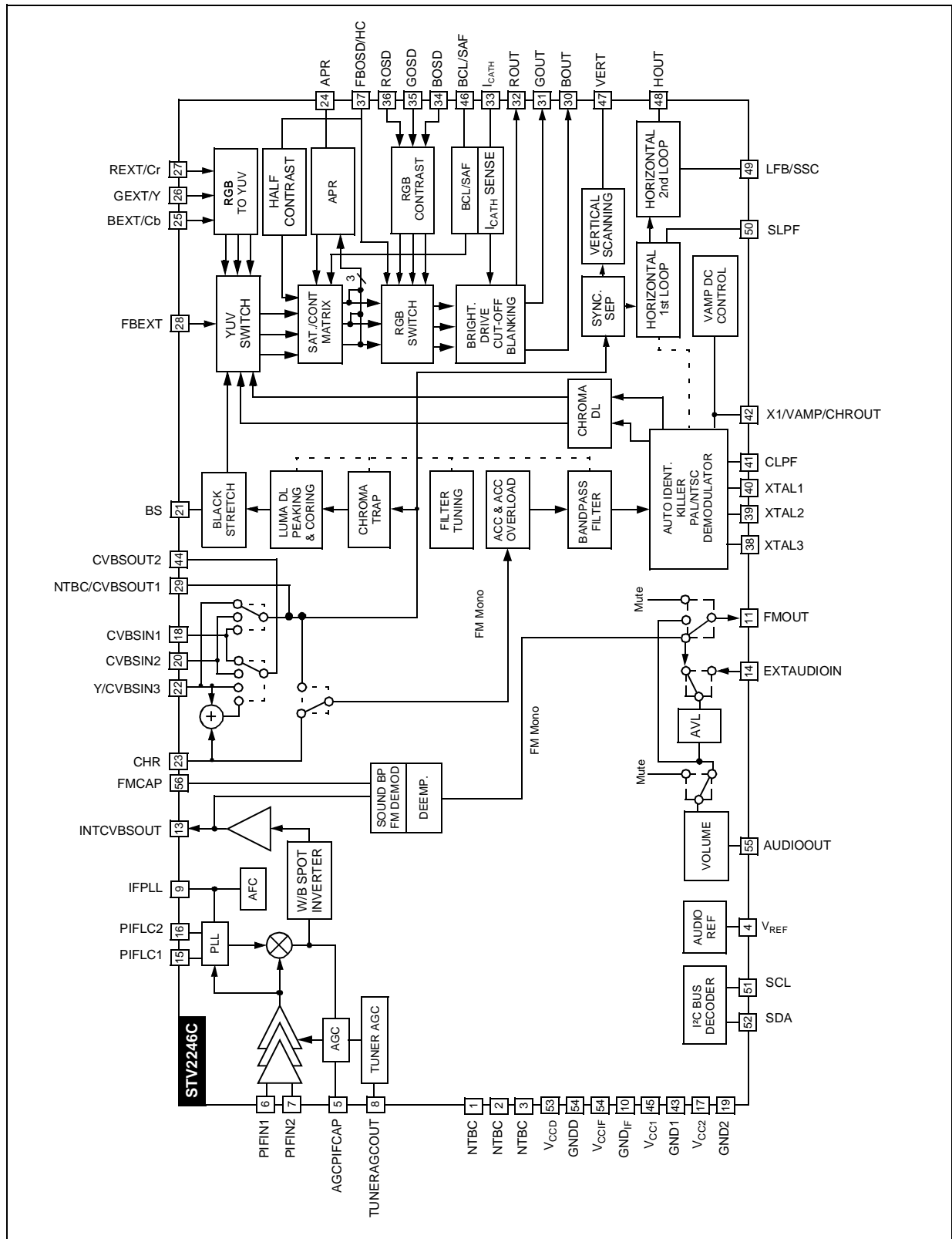


Figure 7. STV2246C (SDIP56) Block Diagram



STV223XD/224XC - GENERAL DESCRIPTION

Figure 8. STV2247C (SDIP56) Block Diagram

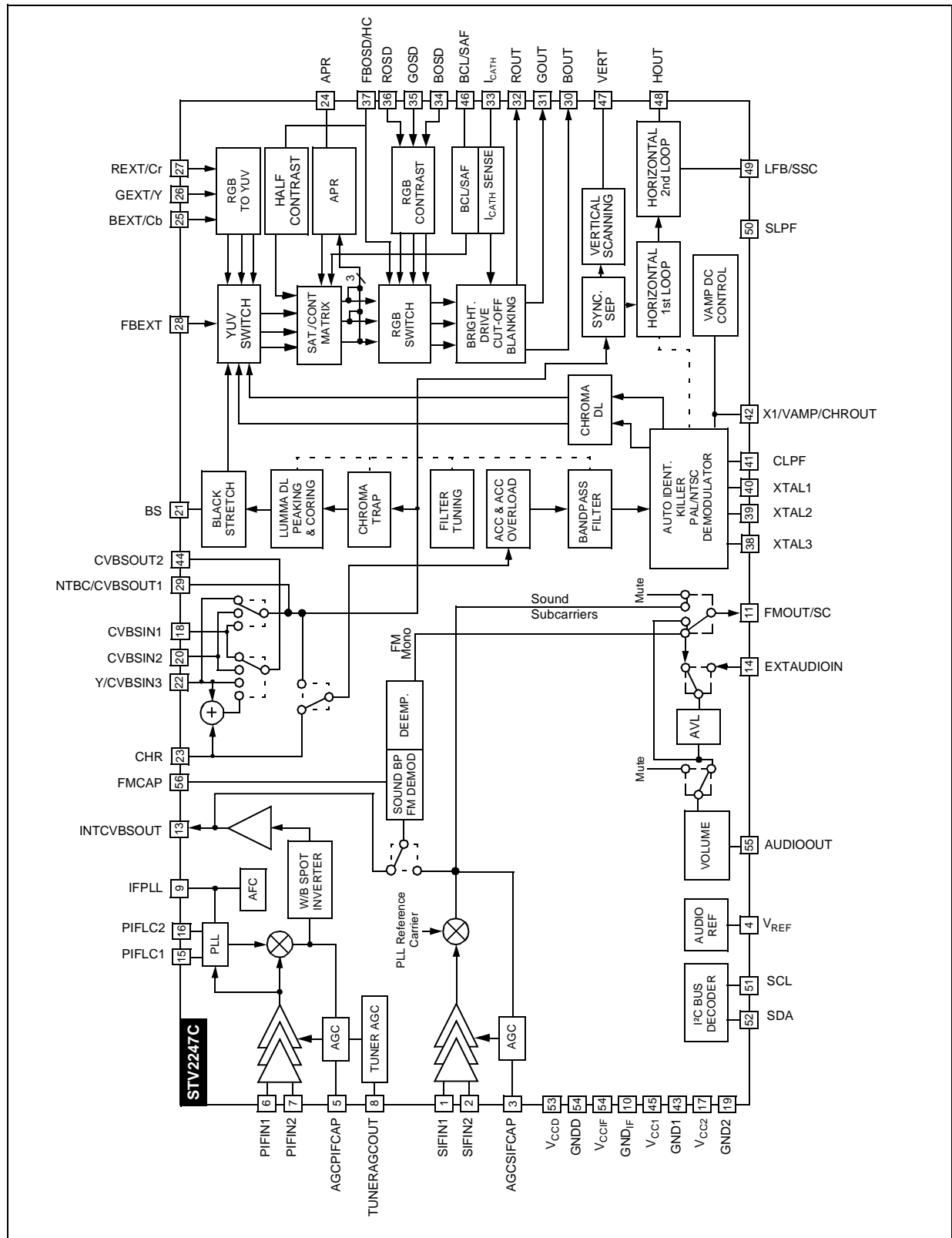
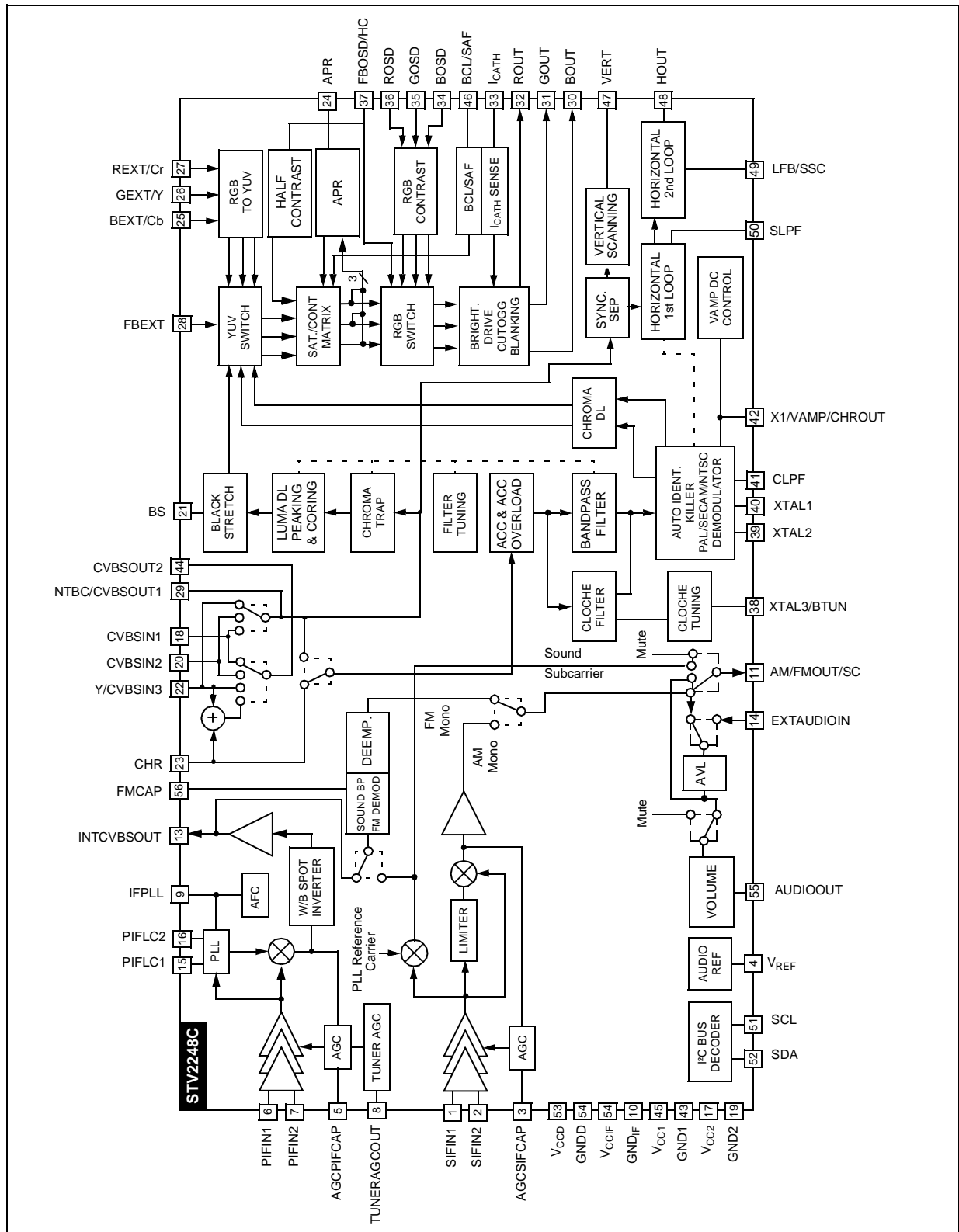
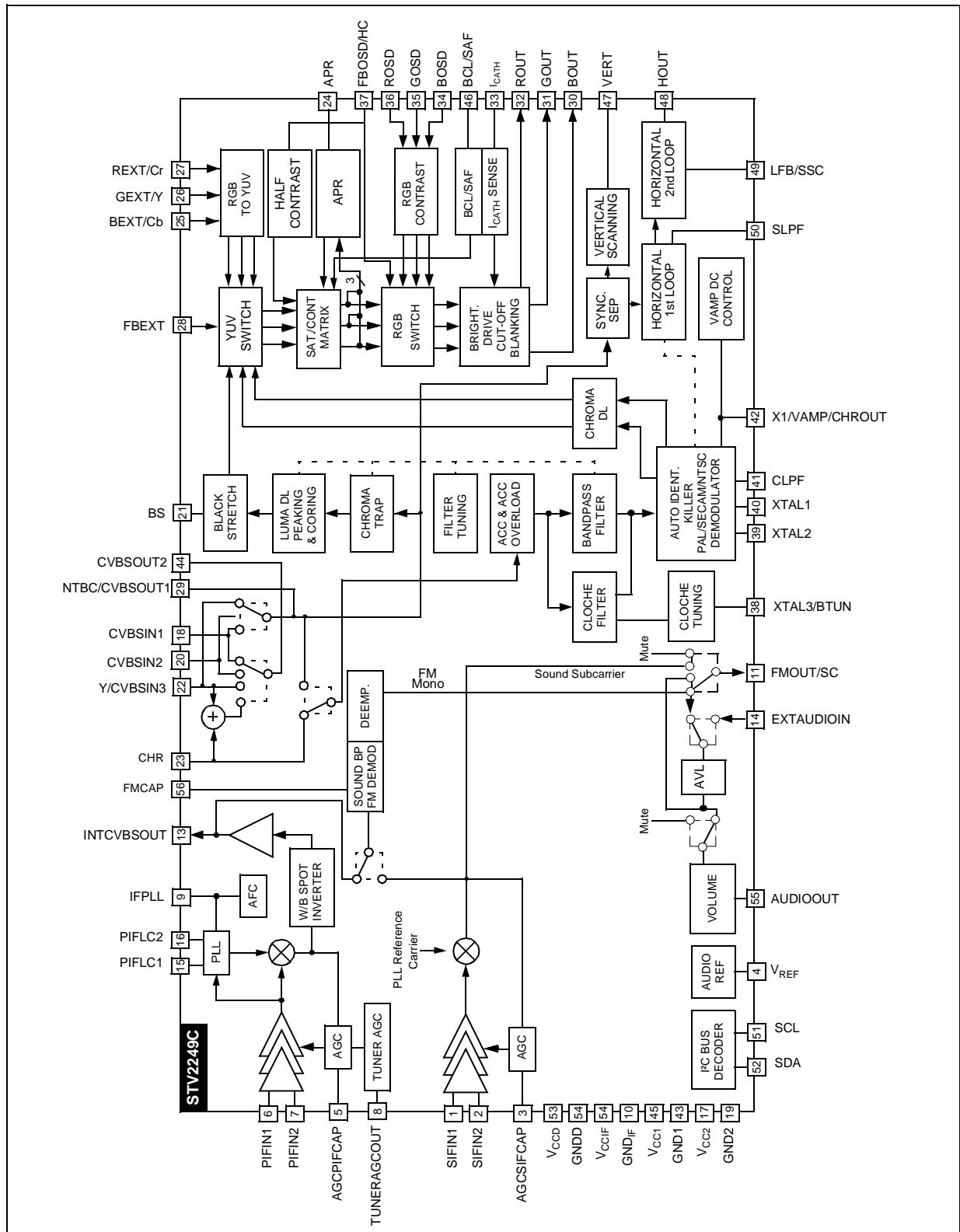


Figure 9. STV2248C (SDIP56) Block Diagram



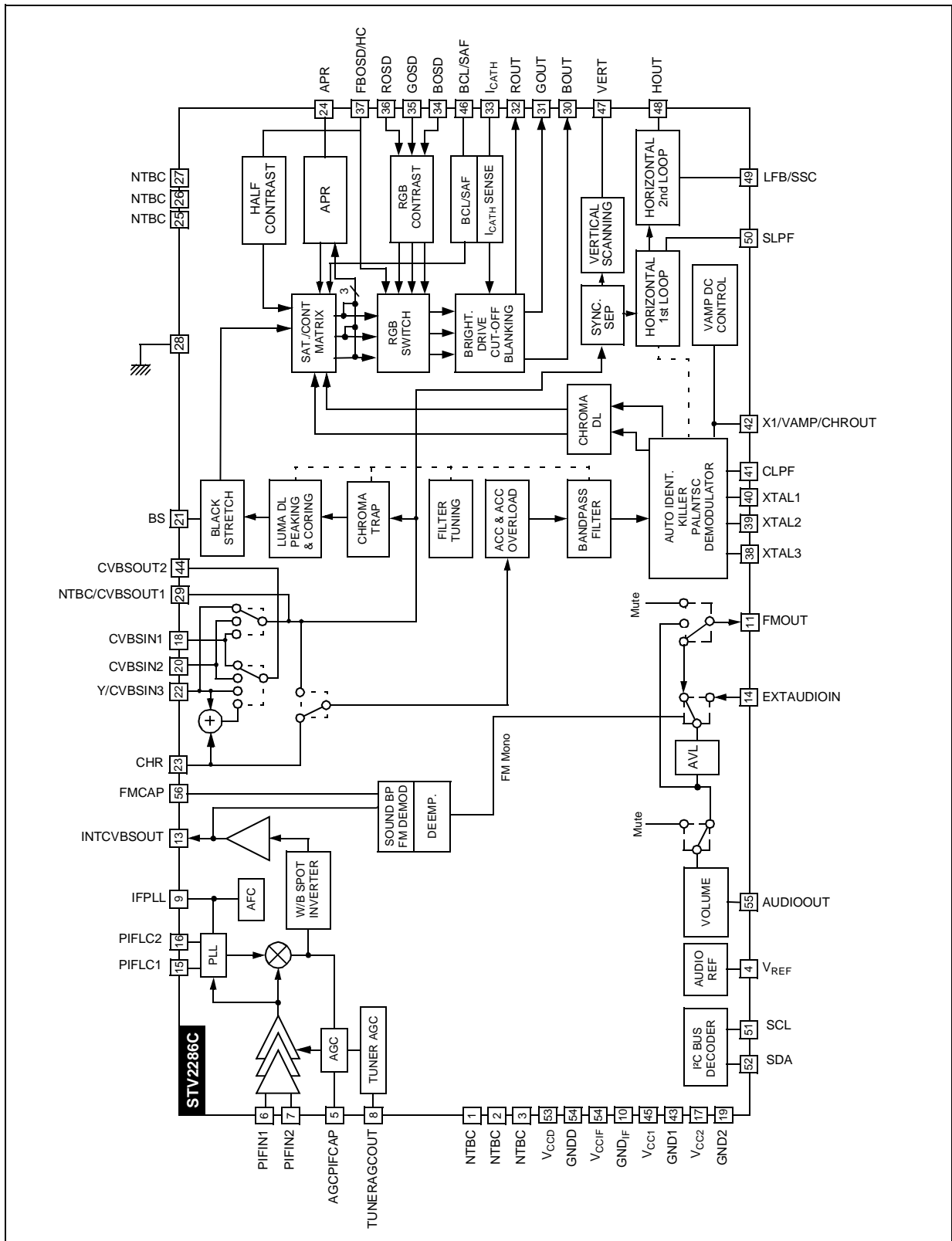
STV223XD/224XC - GENERAL DESCRIPTION

Figure 10. STV2249C (SDIP56) Block Diagram



STV223XD/224XC - GENERAL DESCRIPTION

Figure 11. STV2286C (SDIP56) Block Diagram



STV223XD/224XC - STV2238D MAIN FEATURES

2 STV2238D MAIN FEATURES

- I²C Bus control (Read and Write modes).
- PLL PIF demodulator, bus-controlled VCO alignment.
- Positive and negative IF modulation.
- Digital AFC.
- Tuner-delayed AGC output.
- White and Black Spot cancellation.
- SIF with QSS structure.
- Intercarrier capability.
- Built-in sound bandpass.
- Multistandard PLL FM Demodulator (4.5, 5.5, 6.0, 6.5 MHz).
- AM demodulator for France.
- Sound subcarrier output for Stereo chassis: FM and NICAM carriers.
- Audio switch for external audio input, Mono chassis.
- Digital volume control.
- Audio Mute.
- Automatic Volume Levelling (AVL) on audio signal (internal or external audio).
- Digital buffer for SAW filter switching.
- Video switch, three Composite Video Broadcasting Signal (CVBS) inputs and two CVBS outputs (which can be used to drive a teletext decoder).
- SVHS switch, Y input is combined with CVBS3 input.
- Capability to output Y+C signal on second CVBS output.
- OSD RGB analog inputs, fast blanking detection on fast blanking OSD pin, contrast control capability.
- Half-contrast control pin.
- External analog RGB inputs with contrast and saturation control (external RGB matrixed in YUV). External analog YCrCb inputs can be connected to the same inputs. In this case, the sync signal must be sent to the CVBS input, and External YCrCb mode must be selected through the I²C bus.
- Y,U,V inputs outputs: Y,U,V inputs/outputs for the use of enhanced picture ICs.
- Integrated chroma filters (trap, bandpass, cloche) with automatic alignment.
- Integrated luminance delay line.
- Adjustable peaking on the luminance signal with coring function.
- Black Stretch circuit.
- Automatic RGB peak regulation (APR).
- PAL/SECAM/NTSC color decoder with automatic identification of standards.
- Integrated chroma delay line.
- Full integrated SECAM decoder.
- Hue control, two selectable matrices in NTSC mode.
- Automatic Flesh Control circuit with two selectable characteristics (normal and wide).
- ACC overload circuit.
- Chroma subcarrier output which could be used to drive a comb filter circuit.
- Automatic digital cut-off current loop with warm-up detection circuit.
- White point (drive) and cut-off point adjustments.
- Manual cut-off capability.
- Beam current limiter control stage.
- High performance synchronization pulses separator.
- Horizontal synchronization with two phase-locked loops.
- Integrated VCO, auto-calibration using the chroma crystal reference frequency.
- Automatic time constant selection for the first PLL, three selectable time constants.
- Video identification circuit (independent from PLL1).
- Noise detector circuit.
- Vertical countdown circuit.
- Automatic 50/60 Hz selection circuit.
- Blanking and inserted cut-off pulses position adapted to standard (50 or 60 Hz).
- Long blanking mode capability in 60 Hz (same blanking as with 50 Hz standard).
- Possibility of inserting cut-off pulses after a vertical oversize blanking signal.
- De-interlace capability.
- Horizontal starting circuit with soft-start capability.
- Horizontal and vertical position adjustments, vertical amplitude control voltage (combined with chroma subcarrier output).
- 4/3, 16/9 selection voltage.
- Oversize Blanking capability on OSD Fast Blanking input.

3 FUNCTIONAL DESCRIPTION

The STV2238D is an integrated device that processes PIF, SIF, Video and Chroma signals while scanning for PAL, SECAM and NTSC standards. It includes a base band chroma delay line, Video, SVHS and audio switches.

3.1 DETAILED FEATURES

3.1.1 Power Supplies

V_{CCIF} : 5 V power supply dedicated to IF processors.

V_{CCD} : 5 V power supply dedicated to I²C bus and digital parts. GND1 is the ground reference of these parts.

V_{CC1} : 8 V power supply for video switches, scanning part and the chroma decoder. GND1 is the ground reference of all these functions.

V_{CC2} : 8 V power supply for the luminance, RGB processing parts audio switch and internal CVBS output. GND2 is the ground reference of these parts.

3.1.2 Picture Intermediate Frequency (PIF)

- AGC amplifier.
- PLL synchronous demodulator. Bus-controlled VCO for integrated tuning of the external LC resonator. For a 38.9 MHz VCO, the LC coil specification has to be:
 $C = 39\text{pF}$, $f = 44\text{ MHz} \pm 2\%$ (LC not connected).
 For a 33.9 MHz VCO (L'), the VCO can be switched via the bus control.
- Digital AFC via bus.
- IF Automatic Gain Control (AGC)
 Negative modulation: top sync regulation, regulation of overmodulated signals (overmodulation regulation circuit enabled through bus control).
 Positive modulation: main regulation on white level with black level limitation.
- Tuner-delayed AGC with bus control for AGC gain and threshold. When tuner AGC output is active, read register 03hex, data D7 is set to "1".
- CVBS output with 2 bus-controlled amplitudes. CVBS output at $2 V_{PP}$ if external sound trap is not connected (QSS mode). CVBS output at $2.3 V_{PP}$ if external sound trap is connected (Intercarrier mode).

3.1.3 Sound Intermediate Frequency (SIF) and Sound Demodulators

- QSS structure.
- SIF Automatic Gain Control (QSS mode).
- Built-in sound bandpass.

- PLL FM Demodulator for 4.5, 5.5, 6.0 or 6.5 MHz carriers. The Sound Standard is selected by the MCU. The FM demodulator VCO is automatically calibrated using the chroma crystal VCO reference frequency. The FM Demodulator VCO is automatically calibrated for all sound standards independently of the chroma crystal VCO frequency, which is either 4.4 MHz or 3.5 MHz. For each sound carrier frequency, the IC sends an indication of the sound subcarrier level to the MCU so that it can select the proper standard.
- The sound subcarrier level is valid when the FM Demodulation VCO is calibrated. This information can be read via the I²C Bus.
- Bus controls for FM de-emphasis (50 or 75 μs) and FM deviation ± 25 or ± 50 kHz).
- AM demodulator.
- Sound demodulator output: either an AM or FM signal can be the output for the Mono chassis
- Sound subcarriers for the Stereo chassis.

3.1.4 Audio Switch

- One SCART switch.
- Bus-controlled volume and mute. Zero-crossing function on volume control.
- Automatic Volume Levelling (AVL) function can be enabled via the I²C bus. Two time constants (gain increase) can be selected via the I²C bus.
- The AM sound can be selected on the main audio output for the Stereo chassis.

3.1.5 Surface Acoustic Wave (SAW) Filter Switch Control

- SAW filter switch control pin is available in the TQFP64 package. The SAW filter switch control pin is used to select the correct SAW filter characteristics (e.g.: M/N or BGDK characteristics). In a multi-standard chassis, two output voltages are selected via the I²C bus (low level voltage at 0.4 V Max., and high level voltage at 4 V Min.).

3.1.6 Video Switches

- Video switch with three CVBS inputs and one CVBS output (CVBSOUT1) which may be used to drive a teletext decoder.
- A second CVBS output (CVBSOUT2) is able to output recombined Y+C signals. All switches are independently controlled.
- SVHS switch, Y input is combined with CVBS 3 input. CVBS/SVHS modes can be selected either by bus control (software selection), or by sensing the DC voltage on the Chroma Input pin (hardware selection). If the Chroma Input is

STV223XD/224XC - FUNCTIONAL DESCRIPTION

grounded, the CVBS mode is selected and the bus control is not active. If the DC level of the Chroma Input is higher than the SVHS threshold, then the bus control for the SVHS switch is active. Therefore, the SVHS mode can be selected by hardware using a special SVHS connector that includes a mechanical switch. In this type of application, the bus control is set to SVHS mode, and the CVBS mode is selected by grounding the Chroma Input pin.

3.2 DEFLECTION PART

– Fully-integrated synchronization separator with a low pass filter, black level alignment of the CVBS input, and a 50% slicing level for the synchronized pulse amplitude.

– Vertical output pulse is locked on a pulse that is twice the horizontal frequency to ensure perfect interlacing.

– Auto-calibrated VCO using the chroma crystal reference. Crystal control pin X1/VAMP/CHROUT indicates the crystal reference value on Pin XTAL1.

When a 4.43 MHz crystal is connected to Pin XTAL1, the output load on Pin X1/VAMP/CHROUT must be greater than 80 k Ω . When a 3.58 MHz crystal is connected to Pin XTAL1, the output load must be less than 10 k Ω .

Two Phase-locked Loops (PLL):

– The first PLL locks the VCO to the video line frequency,

– The second PLL compensates the line transistor storage time.

Three time constants for the first PLL.

– [X,Y]: Line number referring to the internal line counter numbering system.

The long time constant is used for normal operation.

The short time constant is automatically used during the VCR search mode and frame retrace when the frame pulse is outside [258,264] and [309,314].

The very long time constant is used when there is no video recognition (very good OSD stability).

Time constants in normal operation (automatic selection of time constants):

– 50 Hz input signal:
short time constant: [306,21],
long time constant: the rest of the field.

– 60 Hz input signal:
short time constant: [0,16],
long time constant: the rest of the field.

Inhibition of the first PLL:

The first PLL is inhibited from line 309 to line 4.5 (or 314) in 50 Hz mode and from line 258 to line 5.5 (or 264) in 60 Hz mode. The time constant values are chosen by means of external components.

– Possibility of forcing the short time constant during the allframe via the bus.

– Possibility of forcing the long time constant during the allframe via the bus.

– Possibility of forcing a very long time constant during the allframe via the bus.

Video identification: independent from PLL1.

The video identification status is available in the output register of the I²C bus decoder.

Generation of burst gate pulses and line frequency signals from the first PLL to drive the Chroma and Video circuits. The burst gate pulse is also sent to the super-sandcastle generator.

Frame synchronized window:

– large window: [248,352] in AUTO mode, [248,284] in forced 60 Hz mode, [288,352] in forced 50 Hz mode.

– narrow window: [309,314] in 50 Hz mode, [258,264] in 60 Hz mode.

Field frequency selection windows:

– [248,286] 60 Hz mode selection window.

– [288,352] 50 Hz mode selection window.

Frame blanking pulse adapted to standard:

– from line 309 to line 21 in 50 Hz mode,

– from line 258 to line 16 in 60 Hz mode.

Long blanking mode: the end of frame blanking is line 21 both in 50 and 60 Hz modes. This mode is useful when the flyback time of the vertical output stage is longer than the 60 Hz blanking time. It is used to optimize the 50/60 Hz vertical amplifier application due to long frame blanking.

Vertical output pulse duration is 10.5 lines.

Horizontal output pulse: 28 μ s line pulse on an open collector output.

Start-up circuit: the horizontal output is at high level (disabled) when V_{CC1} increases from 0 to 6.0 V and when V_{CCD} has not reached 4 V.

Soft mode circuit: it provides a softer operating horizontal output with a 75% duty cycle [$t_{HIGH} / (t_{HIGH} + t_{LOW})$]. This results in a smaller conducting time (16 μ s instead of 28 μ s).

This mode is active at start-up until two frames after the V_{CC2} reaches 75% of the V_{CC1} . It is also active at shutdown when the V_{CC1} floats between 6 V and 5.4 V. And finally, this mode is used if the V_{CC2} drops below 75% of the V_{CC1} .

STV223XD/224XC - FUNCTIONAL DESCRIPTION

At shutdown, horizontal pulses are disabled when V_{CC1} is less than 5.4 V or when V_{CCD} is less than 3.5 V.

The horizontal output pulse may be disabled via the bus (force a high level on HOUT).

Safety input on BCL Pin. When the BCL Pin is switched to ground, the horizontal output pulse is disabled and the inhibition of horizontal output pulse is maintained until V_{CC1} is less than 3 V (V_{CC1} power supply is switched off). The Safety function can be disabled via the I²C bus. When register 15hex data D7 is set to "1", the Safety function is reset and no longer active.

The horizontal position adjustment is controlled via the bus.

Bus-controlled DC output voltage for adjusting the vertical amplitude. This voltage supply is used to adjust the slope of the vertical sawtooth generated by the external vertical booster.

Bus-controlled vertical position. The high level of the vertical pulse is used to adjust the vertical position.

Bus-controlled 4/3-16/9 selection. 0.2 V is the low level of the vertical pulse when 16/9 is selected and 2 V when 4/3 is selected.

The Oversized Blanking function is controlled by the voltage on the FBOSD pin. When the FBOSD voltage is between the first and the second thresholds, the OSD RGB signals are selected. When the FBOSD voltage is greater than the second threshold (4 V blanking threshold), the RGB outputs are blanked during the whole field, but not during inserted cut-off lines (the cut-off loop is always active). The blanking feature, via the FBOSD input pin, enables Vertical Oversize Blanking when a 4/3 picture is displayed on a 16/9 screen in Zoom mode. The picture outside the screen is blanked by the Oversize Blanking pulse supplied by the external vertical IC (STV9306).

Combined Flyback input and Super-Sandcastle output: The line blanking level is clamped at 3 V, the burst key pulse voltage is 5 V and vertical pulse voltage is 2 V. The line pulse is extracted with a 2.5 V slicing level used for RGB line blanking and PLL2 control.

3.3 FILTERS

Integrated Trap Filter

$Q = 1.5$ ($f_{-3dB} = f_0 (1 - 1/2Q)$),

Center frequency:

- 4.43 MHz, 3.58 MHz for PAL and NTSC.
- 4.25 MHz, for SECAM (-20 dB rejection between 4.1 MHz and 4.4 MHz).

The chroma trap filter is switched off in SVHS mode, or in color standard search mode (standard not identified). The trap filter can be switched off via the bus.

Integrated Chroma Bandpass

$Q = 3.5$, Center frequency: 4.43 MHz, 3.58 MHz. The Bus Control Frequency Shift is used to optimize the chroma response for the video signal from the IF stage.

Integrated Bell Filter for SECAM

$Q = 16$, Center frequency: 4.286 MHz.

The Bus Control Frequency Shift is used to optimize the chroma response for the video signal from the IF stage.

Integrated Luma Delay Line

Bandwidth: 8 MHz.

The Luma Delay Line is automatically adapted to the chroma standard. For PAL BG and applications without group delay compensation, a Luma Delay Shift of -140 ns can be selected via the I²C bus.

Filter Tuning

All filters are tuned via a reference phase-locked loop. The PLL is based on a trap filter, a phase comparator and an internal loop filter (capacitor). The reference signal is the continuous carrier wave from the Chroma VCO (4.43 MHz or 3.58 MHz). The PLL adjusts the center frequency of the trap until it equals the reference signal. The PLL tuning voltage is used to adjust all other integrated filters. The Bell filter is fine-tuned with a second PLL during the frame retrace. The Bell filter tuning voltage is memorized on an external capacitor (BTUN Pin).

STV223XD/224XC - FUNCTIONAL DESCRIPTION

3.4 VIDEO CIRCUIT

RGB Inputs

The RGB (OSD) input has priority over the external RGB input. The RGB (EXT) source is matrixed into YUV signals for color and contrast adjustments. The brightness is adjusted according to the internal and external RGB and OSD RGB signals. The Contrast Control regulates both external and internal RGB signals and has a maximum attenuation of -24 dB. It also regulates the OSD RGB signal and its maximum attenuation is limited to -12 dB. The Contrast Control for RGB (OSD) input can be disabled via the bus. The brightness of the RGB (OSD) input varies according to the main brightness level.

The RGB (EXT) insertion signal can be disabled or forced via the bus. A fast blanking detector on an external fast blanking input and OSD fast blanking input operate during frame retrace. The Fast Blanking detection status is sent to the I²C bus read register.

The OSD fast blanking input has several functions: OSD Insertion Control, RGB Output Blanking or Half Contrast Control.

Half-contrast Control Pin (TQFP64)

The 6 dB gain reduction will be applied to the internal YUV signals when the half-contrast function is turned ON, and the voltage of the half-contrast input exceeds the threshold (0.7 V Typ.).

The Half Contrast function is also available in the SDIP56 package. The Half Contrast input is combined with the FBOSD input.

Automatic Cut-off Current Loop

The Cut-off Loop range is 2 V (the cut-off level of the RGB outputs is between 1.5 V and 3.5 V, 2.5 V Typ.). The cut-off current is measured sequentially during the three lines after the internal frame blanking signal (the blue cathode current is measured first, then the green and red). The Leakage cathode current is measured during frame blanking and is memorized on an internal capacitor. Cut-off pulses can be inserted after the external vertical oversize blanking signal. The Cut-off loop can be frozen via the bus. To prevent cut-off lines from being visible in 16/9 mode, cut-off pulses are not inserted when the cut-off loop is frozen.

Warm-up Detector

At power on, the cut-off loop is not active and high DC levels are inserted during "cut-off" lines. The Cut-off loop will be active when the cathode current reaches the warm-up detection threshold. This causes the picture to be displayed from a dark screen. The RGB outputs are blanked until cut-off current is close to the reference voltage.

The manual cut-off mode can be selected via the I²C bus. In this mode, the I_{CATH} input pin is inactive and cut-off pulses are not inserted. The RGB black levels are independently controlled by three I²C bus registers (8-bit resolution). The black level of each RGB output can be adjusted within a range of 2.5V typ.

Beam Current Limiter DC Voltage Input (BCL)

The BCL will first decrease the contrast and then the brightness when the contrast attenuation reaches -5 dB. The red, green, blue channel gain for white point adjustment takes place via the bus. The red and green DC levels for black point adjustment takes place via the bus.

The PAL/SECAM matrix is provided and a specific NTSC matrix is used when demodulation angles are (0°, 104°).

Bus-controlled Contrast and Saturation

The Contrast Control regulates internal RGB, external RGB and OSD RGB inputs. The maximum attenuation on internal and external RGB inputs is -24 dB and is limited to -12 dB for OSD RGB inputs. The bus-controlled saturation range is 50 dB.

Bus-controlled Brightness and Sharpness

The total brightness range is 60% of the black-to-white amplitude at maximum contrast. The brightness control regulates all RGB sources (internal, external and OSD). Bus-controlled Sharpness (peaking) is provided in PAL/SECAM/NTSC standards.

Bus-controlled Coring function on Sharpness

When the Coring-on-sharpness function is switched ON, the peaking function is not active on low amplitude signals (below 10 IRE).

The Black Stretch circuit can be disabled via the bus. Two modes are provided, one to be used when the video signal is transmitted with a set-up (7.5IRE set-up in NTSC), the other to be used when the video signal is transmitted without a set-up (PAL/SECAM).

The bus-controlled Blue Screen feature is used to insert a blue background on the screen when no video is available. The RGB OSD can be displayed when the blue screen is active.

The APR (Automatic RGB Peak Regulation) function is used to take advantage of the total RGB output range. APR circuits detect the peak level of the RGB outputs (before OSD insertion) and regulate the RGB gain (contrast) so that signals above the APR threshold are limited. For example, at maximum drive and contrast levels with the APR function switched OFF, the 100 IRE input signal gives 3 V(B/W) to the RGB outputs. With APR ON and the APR threshold at 70 IRE, the 70 IRE input signal gives 3 V (B/W) at RGB outputs. For input

STV223XD/224XC - FUNCTIONAL DESCRIPTION

signals above 70 IRE, the APR will decrease the RGB gain so that amplitude at the RGB output is always 3 V (B/W). The APR gain control voltage is memorized on an external capacitor where the gain decrease is very fast and the gain increase is very slow (several frames). The APR function can be enabled or disabled via the I²C bus.

3.5 CHROMA CIRCUIT

PAL/SECAM/NTSC Decoders

SVHS Chroma input; bus-controlled SVHS mode.

- 30 dB ACC range.
- Integrated chroma base band delay line and ON/OFF bus control.
- Automatic standard identification, with possibility of forcing the standard via the bus.
- 3-crystal application capability for the South American market:
The first crystal on Pin XTAL1 (3.5X MHz only), the second crystal on Pin XTAL2 (3.5X MHz only), and the third crystal on Pin XTAL3/BTUN (3.5X MHz only, used for PAL/NTSC application only).

PAL/NTSC Decoder

ACC carried out by peak detector on synchronous demodulation of the burst.

Fully-integrated killer function.

VCO using two standard crystals: 4.43 MHz and 3.58 MHz. One crystal is internally selected depending on the standard selection. A third crystal can be used in PAL/NTSC applications only.

VCO reference signal is available on Pin X1.

- 4.433619 MHz XTAL specification.
Mode of operation: serial resistance (without load capacity),
Motional capacitance: $C_M = 13\text{fF} \pm 3\text{fF}$,
Shunt capacitance: $C_P < 7\text{pF}$,
Serial resistance: $R_S < 70\Omega$.
- 3.579545 MHz XTAL specification (NTSC M).
Mode of operation: serial resistance (without load capacity),
Motional capacitance: $C_M = 11\text{fF} \pm 3\text{fF}$,
Shunt capacitance: $C_P < 7\text{pF}$,
Serial resistance: $R_S < 70\Omega$.
- 3.575611 MHz XTAL specification (PAL M).
Mode of operation: serial resistance (without

load capacity),

Motional capacitance: $C_M = 12\text{fF} \pm 2\text{fF}$,

Shunt capacitance: $C_P < 7\text{pF}$,

Serial resistance: $R_S < 70\Omega$.

- 3.582056 MHz XTAL specification (PAL N).
Mode of operation: serial resistance (without load capacity),
Motional capacitance: $C_M = 12\text{fF} \pm 2\text{fF}$,
Shunt capacitance: $C_P < 7\text{pF}$,
Serial resistance: $R_S < 70\Omega$.

0° and ± 90° demodulation angles for PAL.

Bus-controlled demodulation angles (0, 90) or (0, 104) are available in NTSC mode.

Bus-controlled Hue adjustment is available in NTSC mode.

NTSC Automatic Flesh Control

Two automatic flesh control characteristics are available via the bus. The normal flesh control with ±10° correction and a total action range of ±60° and the wide flesh control with ±20° correction and a total action range of ±90°.

SECAM Decoder

The following functions are fully-integrated: Killer, PLL demodulator and De-emphasis functions.

3.6 CHROMA STANDARD IDENTIFICATION

Sequential Identification

Three identification sequences:

- XTAL1 (4.43 MHz) mode to identify either PAL or NTSC.
- XTAL2 (3.58 MHz) mode to identify either PAL or NTSC.
- SECAM mode (XTAL1 selection).

In 3-crystal applications, the SECAM sequence is replaced by XTAL3 selection to identify either PAL or NTSC signals.

PAL/NTSC Priority

SECAM mode is locked after two identified SECAM sequences.

SECAM mode can be selected in 50 Hz mode only.

R-Y and B-Y outputs are blanked during Color Search mode.

STV223XD/224XC - ELECTRICAL CHARACTERISTICS

4 ELECTRICAL CHARACTERISTICS

4.1 ABSOLUTE MAXIMUM RATINGS

| Symbol | Parameter | Value | Unit |
|-------------|---|-----------|--------------------|
| V_{CC-8V} | 8 V Supply Voltage | 10 | V |
| V_{CC-5V} | 5 V Supply Voltage | 7 | V |
| V_{ESD} | Capacitor 100 pF discharged via 1.5 k Ω serial resistance (Human Body Model) | ± 2 | kV |
| T_{oper} | Operating Temperature | 0, +70 | $^{\circ}\text{C}$ |
| T_{stg} | Storage Temperature | -55, +150 | $^{\circ}\text{C}$ |

4.2 THERMAL DATA

| Symbol | Parameter | | Typical Value | Unit |
|---------------|---|--------|---------------|----------------------|
| $R_{th(j-a)}$ | Junction-ambient Thermal Resistance (measured at $P_D = 1\text{ W}$) | SDIP56 | 40 | $^{\circ}\text{C/W}$ |
| | | TQFP64 | 50 | $^{\circ}\text{C/W}$ |

4.3 SUPPLY

(Supplies at Typical Values, $T_{amb} = 25^{\circ}\text{C}$, I²C bus register at power-on reset value, automatic cut-off mode, unless otherwise specified).

| Symbol | Parameter | Test Conditions | Min. | Typ | Max. | Unit |
|------------|---------------------------------|---|------|------|------|------|
| V_{CCIF} | IF Circuit Supply Voltage | | 4.75 | 5 | 5.25 | V |
| V_{CCD} | Bus & Digital Supply Voltage | | 4.75 | 5 | 5.25 | V |
| V_{CC1} | Chroma, Scanning Supply Voltage | | 7.6 | 8 | 8.4 | V |
| V_{CC2} | Video Supply Voltage | | 7.6 | 8 | 8.4 | V |
| I_{CCIF} | V_{CCIF} Current Consumption | $V_{CCIF} = 5\text{ V}$. No-load at RGB outputs. | | 58 | | mA |
| I_{CC5F} | V_{CC5F} Current Consumption | $V_{CCD} = 5\text{ V}$. No-load at RGB outputs. | | 48 | | mA |
| I_{CC1} | V_{CC1} Current Consumption | $V_{CC1} = 8\text{ V}$. No-load at RGB outputs. | | 40 | | mA |
| I_{CC2} | V_{CC2} Current Consumption | $V_{CC2} = 8\text{ V}$. No-load at RGB outputs. | | 56 | | mA |
| P_D | Total Power Dissipation | $V_{CC1} = V_{CC2} = 8\text{ V}$, $V_{CCIF} = V_{CC5V} = 5\text{ V}$ No-load at RGB outputs. | | 1300 | | mW |

STV223XD/224XC - ELECTRICAL CHARACTERISTICS

4.4 IF SECTION

$T_{amb} = 25^{\circ}\text{C}$, $V_{CCIF} = 5\text{ V}$, $V_{CC2} = 8\text{ V}$, IF input = 10 mV_{RMS} (at sync level for negative modulation, or at peak white level for positive modulation).

Video modulation DSB, $D = 90\%$ and $f_{SC} = 33.4\text{ MHz}$ in B/G, $D = 95\%$ in L, $f_{PC} = 38.9\text{ MHz}$.

Video Bandwidth = 5 MHz , $AF = 1\text{ kHz}$, Audio Bandwidth = 20 kHz , $FM_{dev} = \pm 27\text{ kHz}$.

Volume Attenuation = 0 dB , AM carrier input: 10 mV_{RMS} , 54% modulated unless otherwise specified.

PIF AMPLIFIER

| Symbol | Parameter | Test Conditions | Min. | Typ | Max. | Unit |
|--------|--------------------------------|-----------------------------------|------|------|------|---------------------|
| VINPIF | Input Sensitivity | -1dB at Video Output (INTCVBSOUT) | 75 | 85 | 95 | μV_{RMS} |
| RINPIF | Differential Input Resistance | PIF Inputs. | 1.5 | 2 | 2.5 | $\text{k}\Omega$ |
| CINPIF | Differential Input Capacitance | PIF Inputs. | 1.5 | 2 | 2.5 | pF |
| GR | Gain Control Range | | | 65 | | dB |
| VMax. | Maximum Input Signal | +1dB at Video Output (INTCVBSOUT) | 0.12 | 0.15 | | V_{RMS} |

PIFAGC NEGATIVE MODULATION

| Symbol | Parameter | Test Conditions | Min. | Typ | Max. | Unit |
|-----------|--------------------------------------|-----------------|------|-----|------|---------------|
| I_C | Charging Current at AGCPIFCAP Pin | | 450 | 675 | 900 | μA |
| I_D | Discharging Current at AGCPIFCAP Pin | | 10 | 15 | 20 | μA |
| I_C/I_D | Charging/Discharging Current Ratio | | 41 | 45 | 49 | |

PIFAGC POSITIVE MODULATION

| Symbol | Parameter | Test Conditions | Min. | Typ | Max. | Unit |
|----------|--|---|------|------|------|---------------|
| I_C | Charging Current at AGCPIFCAP Pin | | 1.75 | 2.5 | 3.25 | mA |
| I_D | Discharging Current at AGCPIFCAP Pin | | 0.15 | 0.25 | 0.35 | μA |
| I_{CP} | Additional Charging Current at AGCPIFCAP Pin | L mode in case of missing VITS pulses and no white in Video content | 2.8 | 4 | 5.2 | μA |
| THICP | Threshold for additional charging current | Referred to nominal black level 2.3 V_{PP} at INTCVBSOUT Pin | | 160 | | mV |
| I_{DP} | Additional Discharging Current | | 20 | 30 | 40 | μA |
| THIDP | Threshold for additional discharging current | Referred to nominal black level 2.3 V_{PP} at INTCVBSOUT Pin | | -345 | | mV |

TUNER AGC

| Symbol | Parameter | Test Conditions | Min. | Typ | Max. | Unit |
|------------|--|---|------|------------------------|------|-------------------------|
| IAGCT | Maximum Sunked Current | | 1.5 | 2 | 2.5 | mA |
| SAGCT | Tuner AGC Slope (current) | Reg 03 (D7, D6) 00 01 10 11 | | 50 95 170 270 | | $\mu\text{A}/\text{dB}$ |
| I_{AGCP} | Maximum Tuner plus Sunked Current | (See Note 1) | | 40 | | mA |
| AGCST | Tuner AGC Starting Point (IF input related signal) | Reg 03 (D5 to D0 = 10 0000) Reg 03 (D5 to D0 = 00 0000) Reg 03 (D5 to D0 = 11 1111) | | 12 2 80 | | mV_{RMS} |
| STT | Variation of take over point with temperature | | | 0.03 | 0.07 | dB/K |

STV223XD/224XC - ELECTRICAL CHARACTERISTICS

Note 1: Additional sinked current for large increasing steps of input signal when:
 - Voltage at PIFinput > Tuner AGC starting point adjustment given by the WR03(d5 to d0)
 - Output Signal (IntCVBSout) saturated (VIntCBVSoutVwth) in positive modulation.

SYNCHRONOUS VIDEO DEMODULATOR

| Symbol | Parameter | Test Conditions | Min. | Typ | Max. | Unit |
|-------------|--|---|------|-----|------|---------------|
| DFPC | Vision Carrier Capture Range | | | ±2 | | MHz |
| f_{VCO} | Maximum VCO Frequency for PIF regeneration | With external LC network at 50 MHz (see Note 2) | 50 | | | MHz |
| V_{ILOCK} | PIF Input Signal for PIF PLL locking | | | 40 | 70 | μV_{RMS} |
| TVCO | PIFVCO Temperature Coefficient | | | | ±20 | ppm/K |

Note 2: This parameter is not tested during production, it is tested during the qualification phase.

DEMODULATED VIDEO OUTPUT (INTCVBSOUT PIN)

| Symbol | Parameter | Test Conditions | Min. | Typ | Max. | Unit |
|----------------------|--|---|--------------|------------|--------------|------------|
| PIFOUT-Q PIFOUT-I | Video Amplitude at INTCVBSOUT Pin | Black-to-White Video amplitude: reg 02 data = 10h (INTCVBSOUT = 2 V _{PP}) reg 02 data = 90h (INTCVBSOUT = 2.3 V _{PP}) | 1.19 1.36 | 1.4 1.6 | 1.61 1.84 | V |
| BG/L | BG to L Ratio | Video amplitude bus register Typ.: reg 02 data = 10 hex | | 5 | 8 | % |
| DG | Differential Gain | | | 3 | 5 | % |
| DP | Differential Phase | | | 3 | 5 | deg |
| V_{PIF} | Residual Carrier Signal | | | 1 | 10 | mV_{RMS} |
| V_{R2IF} | Residual 2nd Harmonic | | | 1 | 10 | mV_{RMS} |
| S/N | Video Output S/N Ratio | See Note 3 | 55 | 60 | | dB |
| V_{WTH} | White Noise Threshold Voltage | reg 02 data = 90h 2.3 V _{PP} at INTCVBSOUT Pin | | 6.7 | | V |
| V_{WIL} | White Noise Insertion Level | reg 02 data = 90h 2.3 V _{PP} at INTCVBSOUT Pin | | 3.7 | | V |
| V_{BTH} | Black Noise Threshold Voltage | reg 02 data = 90h 2.3 V _{PP} at INTCVBSOUT Pin | | 1 | | V |
| V_{BIL} | Black Noise Insertion Level | reg 02 data = 90h 2.3 V _{PP} at INTCVBSOUT Pin | | 2.6 | | V |
| BW | Video Bandwidth | | 6 | 8 | 10 | MHz |
| LUMLIN | Luminance Non Linearity | | | | 5 | % |
| ROUT | Internal Output Resistance | | | 50 | | Ω |
| RLOAD | Output Load Resistance | reg 02 data = 10hex (INTCVBSOUT = 2 V _{PP}) | 2 | 3 | | k Ω |
| IVID | Video Output Source Current | reg 02 data = 90hex (INTCVBSOUT = 2.3 V _{PP}) | 7 | 10 | 13 | mA |
| DCOUT | DC Output Level | Top Sync Level | | 2 | | V |
| Inter Mod. | 1.07 MHz Intermodulation | Intercarrier Mode | | 52 | | dB |
| PSRR | Power Supply Ripple Rejection | Video signal Grey level (see Note 4) BG standard L standard | 35 30 | | | dB |
| NH | Suppression of Video signals harmonics | | 35 | 40 | | dB |

Note 3: S/N = 20 log [PIFOUT Black to White / $V_{NOISE}(mV_{RMS})$] weighted CCIR 567.

Note 4: Supply Voltage ripple rejection = 20log (V_{SUPPLY}/V_{OUTPUT}) measured at 100 Hz with V_{AC} Max. = 100 mVpp applied to $V_{CCIF} = 5$ V.

STV223XD/224XC - ELECTRICAL CHARACTERISTICS

SIF AMPLIFIER

| Symbol | Parameter | Test Conditions | Min. | Typ | Max. | Unit |
|--------------------|--------------------------------|---|------|----------|------|----------------------------|
| VINSIF | SIF Input Sensitivity | - 3dB at AM/FMOUT Pin (see Note 5) AM output amplitude, FM subcarrier amplitude | | 55 40 | | μV_{RMS} |
| GRSIF | Gain Control Range | - 3dB to +1dB at AM/FMOUT Pin | | 60 | | dB |
| C _{INSIF} | Differential Input Capacitance | SIF Inputs (see Note 6) | 1.5 | 2 | 2.5 | pF |
| R _{INSIF} | Differential Input Resistance | SIF Inputs | 1.5 | 2 | 2.5 | k Ω |

Note 5: L standard Sc/Pc = -10 dB, Nyquist Pc = -6 dB, SIF input -4 dB with PIF input = 84 μV , BG standard Sc/Pc = -13 dB, Nyquist Pc = -6 dB, SIF input -7 dB with PIF input = 85 μV .

Note 6: This parameter is not tested during production. It is tested on the validation bench during the qualification phase.

SIF AGC (FM)

| Symbol | Parameter | Test Conditions | Min. | Typ | Max. | Unit |
|----------------|---------------------|-----------------|------|-----|------|---------------|
| I _C | Charging Current | | | 2.4 | | mA |
| I _D | Discharging Current | | | 100 | | μA |

SIF AGC (AM)

| Symbol | Parameter | Test Conditions | Min. | Typ | Max. | Unit |
|---------------------|------------------------------|----------------------|------|-----------|------|---------------|
| I _{NORMAL} | Charging/Discharging Current | Normal time constant | | ± 6 | | μA |
| I _{FAST} | Charging/Discharging Current | Fast time constant | | ± 2.4 | | mA |

FM DEMODULATOR

Electrical parameter valid in both QSS and Intercarrier modes, unless otherwise specified.

| Symbol | Parameter | Test Conditions | Min. | Typ | Max. | Unit |
|-------------|---|--|------|----------------|------|--------------------------|
| SIFMin | Min. Broadcast Sound/Video Carrier Ratio | Intercarrier mode: SAW filter K2955M at SNR 35 dB | | -30 | | dB |
| VOAF | FM Audio Output Amplitude at AM/FMOUT Pin | FM dev = $\pm 27\text{kHz}$ BGDKI FM dev = $\pm 13.5\text{kHz}$ MN | 400 | 500 | 630 | mV_{RMS} |
| DFMX | Maximum FM Deviation | THD < 10% | | 170 | | kHz |
| THD_FM | Total Harmonic Distortion | FM dev = $\pm 27\text{kHz}$ BGDKI | | 0.3 | 1 | % |
| S/N | Audio S/N | Weighted according to CCIR468-4 Quasi-Peak | | 55 | | dB |
| AMR | Amplitude Modulation Rejection | m = 30%, AF = 1 kHz | | 32 | | dB |
| SVR | Supply Voltage Rejection | See Note 4 | | 45 | | dB |
| S/N vsvideo | S/N versus picture content, Intercarrier mode | Intercarrier mode: SAW filter K2955M Black picture, White picture, 250 kHz squarewave | | 52 50 52 | | dB |

DEEMPHASIS

| Symbol | Parameter | Test Conditions | Min. | Typ | Max. | Unit |
|----------|---------------------------|-------------------------|------|-----|------|---------------|
| deemp-T1 | De-emphasis Time Constant | B, G, D, K, I standards | | 50 | | μs |
| deemp-T2 | De-emphasis Time Constant | M, N, standards | | 75 | | μs |

STV223XD/224XC - ELECTRICAL CHARACTERISTICS

AM DEMODULATOR

| Symbol | Parameter | Test Conditions | Min. | Typ | Max. | Unit |
|----------|--|--|------|-----|------|-------------------|
| AFOUT | AM Audio Output Amplitude at AM/FMOOUT Pin | 54% modulation | 400 | 500 | 630 | mV _{RMS} |
| AMlowco | Low Cut-off Frequency | -3 dB compared AFout | | | 40 | Hz |
| AMhighco | High Cut-off Frequency | -3 dB compared AFout | 30 | | | kHz |
| AMthd | Total Harmonic Distortion | 54% modulation | | | 2 | % |
| AMs/n | Signal/Noise Ratio | Weighted according to CCIR468-4 Quasi-Peak | | 55 | | dB |
| AMsvr | Supply Voltage Rejection | See Note 4 | | 20 | | dB |

SIF OUTPUT (AM/FM OR SOUND SUBCARRIERS OUTPUT)

| Symbol | Parameter | Test Conditions | Min. | Typ | Max. | Unit |
|----------|---------------------|--|------|------------|------|-------------------|
| SIFout | Output Level | Sound subcarriers | | 150 | | mV _{RMS} |
| SIFbw | Bandwidth | Sound subcarriers | 7.5 | | | MHz |
| SIFdcout | DC Output Level | | | 4 | | V |
| SIFres | Residual Carrier | Fundamental wave (38.9 MHz) and harmonics | | 0.4 | | mV _{RMS} |
| SIFcur | Sink Output Current | AM or FM demod. output selected Sound subcarriers output selected | | 0.5 1.5 | | mA |

SAW FILTER SWITCH OUTPUT

| Symbol | Parameter | Test Conditions | Min. | Typ | Max. | Unit |
|----------|-------------------------|----------------------------|------|-----|------|------|
| SAW low | Low Output Voltage | I _{SINK} = 2 mA | | | 0.4 | V |
| SAWcur | Maximum allowed Current | | | | 2 | mA |
| SAW high | High Output Voltage | I _{SOURCE} = 2 mA | 4 | | | V |

EXTERNAL AUDIO INPUT

| Symbol | Parameter | Test Conditions | Min. | Typ | Max. | Unit |
|------------------|----------------------------|-----------------|------|-----|------|------------------|
| R _{IN} | Input Resistance | | 70 | 100 | 130 | kΩ |
| V _{IDC} | DC Input Voltage | | | 2.4 | | V |
| AFIN | maximum Audio Input Signal | | 2 | | | V _{RMS} |

MAIN AUDIO OUTPUT

(See Figure 17 and Figure 18)

| Symbol | Parameter | Test Conditions | Min. | Typ | Max. | Unit |
|------------------|--|--|------|-----|------|------|
| AMax | Maximum Attenuation (Audio Out/AM-FM Out) | Register 05hex, data = 7Fhex | | 78 | | dB |
| AMin | Minimum Attenuation (Audio Out/AM-FM Out) | V _{IN} = 1 V _{RMS} , f = 1 kHz, Register 05hex, data = 00hex | -1 | 0 | 1 | dB |
| ASTEP | Step Resolution | reg 05, d7 = 0 | | 0.7 | | dB |
| DCSH | DC Output Shift | From max. volume to min. volume | | | 50 | mV |
| V _{ODC} | DC Output Level | | | 4 | | V |
| AFDIFF | Audio Amplitude difference between sources | f = 1 kHz, f _M = ±27 kHz, Ext. Audio Input = 500 mV _{RMS} | | | 2 | dB |
| R _{OUT} | Output Resistance | | | 110 | | Ω |
| BWO | Output Bandwidth | | 1 | | | MHz |
| THD_AM | Total Harmonic Distortion | V _{IN} = 1 V _{RMS} , f = 1 kHz | | 0.1 | 0.3 | % |
| S/N1 | Signal to Noise Ratio from External Input | Measured at 0 dB attenuation, Ext. Audio Input at 500 mV _{RMS} , CCIR 468-4 Weighted Quasi Peak | | 75 | | dB |

STV223XD/224XC - ELECTRICAL CHARACTERISTICS

| Symbol | Parameter | Test Conditions | Min. | Typ | Max. | Unit |
|--------|--|---|------|-----------------|-----------------|------------------|
| S/N2 | Signal to Noise Ratio from External Input | Measured at 20 dB attenuation, 0 dB reference Ext. Audio Input at 500 mV _{RMS} | 55 | 60 | | dB |
| S/N3 | Signal to Noise Ratio from FM Demod | Measured at 20 dB attenuation, FM: ± 27 kHz (Standards BGDKI) | 52 | 55 | | dB |
| SVRV | Supply Voltage Rejection from External Input | Measured at f = 100 Hz from V _{CC} = 5 V and V _{CC} = 8 V | 60 | | | dB |
| XT | Crosstalk | See Note 7 | 70 | | | dB |
| NOISE | Output Noise Level | CCIR 468-4 Weighted Quasi Peak Volume at minimum Volume at typical Volume at maximum | | 50 50 100 | 60 60 120 | μV |
| AFIN | Audio Input Level | Volume = -25 dB, THD < 1% | 2 | | | V _{RMS} |

Note 7: Measured from any input to output at f = 10 kHz with RL = 10kΩ and Rg = 600Ω, Volume attenuation = 0dB.

AVL

| Symbol | Parameter | Test Conditions | Min. | Typ. | Max. | Unit |
|--------------------|---|---|------|------|------|------------------|
| GAVL | AVL Gain Control Range (7-bit Resolution) | | | 20 | | dB |
| AVL _{MAX} | Maximum attenuation | | | -15 | | dB |
| Reg.AVL | Regulation amplitude | Measured at AUDIOOUT Volume Control at maximum | | 0.55 | | V _{RMS} |

4.5 CVBS, Y/C, RGB INPUTS AND CVBS OUTPUTS

LUMINANCE AND CVBS INPUTS

| Symbol | Parameter | Test Conditions | Min. | Typ | Max. | Unit |
|-------------------|---------------------------|------------------------------------|------|-----|------|-----------------|
| DC _{IN1} | Black Level Voltage | Input selected on main CVBS output | | 3.3 | | V |
| V _{IN} | CVBS or Y Input Voltage | | | 1 | 1.41 | V _{PP} |
| -I | Negative Clamping Current | During SYNC pulse | 20 | 27 | 35 | μA |
| I | Positive Clamping Current | | 2.5 | 4.5 | 7 | μA |

COMBINED CHROMINANCE AND SVHS SELECTION INPUT

| Symbol | Parameter | Test Conditions | Min. | Typ | Max. | Unit |
|-------------------|---------------------------------|-----------------------------------|------|------|------|-----------------|
| V | Chrominance Input Voltage | Burst Amplitude, 100/75 Color Bar | | 0.3 | 0.6 | V _{PP} |
| V _{CLIP} | Input Amplitude before Clipping | | 1 | | | V _{PP} |
| V _{DC} | DC Voltage | SVHS Mode | 1.55 | 1.70 | 1.85 | V |
| V _{TH} | SVHS Threshold Voltage | | 0.50 | 0.90 | 1.45 | V |
| I _{LOW} | Output Current | 0V at CHR Pin | | | 150 | μA |

CVBS1 OUTPUT

| Symbol | Parameter | Test Conditions | Min. | Typ | Max. | Unit |
|-------------------|----------------------------------|------------------------------------|------|-----|------|-----------------|
| V _{OUT} | Dynamic Output Amplitude | | | | 1.5 | V _{PP} |
| R _{OUT} | Internal Output Resistance | | | 50 | | Ω |
| R _{LOAD} | Output Load Resistance | | 1.5 | | | kΩ |
| BW | CVBS Bandwidth | V _{IN} = 1V _{PP} | 10 | | | MHz |
| Crosstalk | Deletion of non-selected signals | Up to 5 MHz | 50 | | | dB |
| MGAIN | Output Gain | From any CVBS/Y inputs | -0.5 | 0 | 0.5 | dB |
| DCMAIN | DC Output Voltage | Black Level | | 3.5 | | V |

STV223XD/224XC - ELECTRICAL CHARACTERISTICS

CVBS1 OUTPUT (Pin 29 - SDIP56)

| Symbol | Parameter | Test Conditions | Min. | Typ | Max. | Unit |
|-------------------|----------------------------------|--|------|-----|------|-----------------|
| V _{OUT} | Dynamic Output Amplitude | Register 1Dhex, data = 07hex | | | 1.5 | V _{PP} |
| R _{LOAD} | Output Load Resistance | Register 1Dhex, data = 07hex | 3 | | | kΩ |
| BW | CVBS Bandwidth | Register 1Dhex, data = 07hex V _{IN} = 1V _{PP} | | 10 | | MHz |
| Crosstalk | Deletion of non-selected signals | Register 1Dhex, data = 07hex Up to 5 MHz | 50 | | | dB |
| MGAIN | Output Gain | Register 1Dhex, data = 07hex From any CVBS/Y inputs | -0.5 | 0 | 0.5 | dB |
| DCMAIN | DC Output Voltage | Register 1Dhex, data = 07hex Black Level | | 4.2 | | V |

CVBS2 OUTPUT

| Symbol | Parameter | Test Conditions | Min. | Typ | Max. | Unit |
|--------------------|----------------------------------|------------------------------------|------|-----|------|-----------------|
| V _{OUT2} | Dynamic Output Amplitude | | | | 3 | V _{PP} |
| R _{OUT2} | Internal Output Resistance | | | 10 | | Ω |
| BW2 | CVBS Bandwidth | V _{IN} = 1V _{PP} | 10 | | | MHz |
| Crosstalk2 | Deletion of non-selected signals | Up to 5 MHz | 50 | | | dB |
| SWI2gain | Output Gain | From any CVBS/Y inputs | 5.5 | 6 | 6.5 | dB |
| SWI2DC | DC Output Voltage | Black Level | | 3.8 | | V |
| R _{LOAD2} | Output Load Resistance | | 1.5 | | | kΩ |

OSD RGB INPUTS

| Symbol | Parameter | Test Conditions | Min. | Typ | Max. | Unit |
|--------------------|---|-----------------------------------|------|------|------|-----------------|
| V _{CLAMP} | Clamp Level | Max. Contrast | | 4 | | V |
| V _{RGB} | RGB Input Voltage | | | 0.7 | 1 | V _{PP} |
| CRGB | RGB Gain | Max. Contrast, Max. Drive | | 4.28 | | - |
| Dblack | Difference of black level of internal and external signals at the RGB outputs | OSD signal versus internal signal | | | 50 | mV |
| I _{RGB} | Clamping Current | | 60 | 100 | 140 | μA |
| Crosstalk | Deletion of non-selected RGB source | From 0 to 5 MHz | 50 | | | dB |

OSD FAST BLANKING INPUT (TQFP64)

| Symbol | Parameter | Test Conditions | Min. | Typ | Max. | Unit |
|--------------------|-----------------------------|---|------|-----|------|------|
| V _{THFB1} | Insertion Threshold Voltage | | 0.5 | 0.7 | 0.85 | V |
| V _{THFB2} | Blanking Threshold Voltage, | Oversize Blanking active Register 08hex d7 = 1 | 3.2 | 4 | 4.8 | V |
| t _{SW1} | Insertion Switching Delay | | | 20 | 40 | ns |
| t _{SW2} | Blanking Switching Delay | From FBOSD = 4V to starting of blanking falling edge at RGB out- puts | | 100 | | ns |
| I _{FB} | Input current | 0V at Pin FBOSD | | | 10 | μA |

STV223XD/224XC - ELECTRICAL CHARACTERISTICS

HALF CONTRAST INPUT (TQFP64)

| Symbol | Parameter | Test Conditions | Min. | Typ | Max. | Unit |
|---------------------|--|------------------|------|-----|------|------|
| V _{TH_HC} | Half Contrast Threshold Voltage | | 0.5 | 0.7 | 0.85 | V |
| t _{swI_HC} | Half Contrast Delay | | | 20 | | ns |
| CTR_HC | Contrast Attenuation when half contrast active | At Max. Contrast | | 6 | | dB |
| I _{HC} | Leakage Current | 0V at Pin HC | | | 10 | μA |

FBOSD/HC INPUTS (SDIP56)

| Symbol | Parameter | Test Conditions | Min. | Typ | Max. | Unit |
|---------------------|---------------------------------|---|------|-----|------|------|
| V _{THFB1A} | OSD Insertion Threshold Voltage | Half Contrast disable Register 08hex d6 = 0 | 0.5 | 0.7 | 0.85 | V |
| V _{THFB1B} | OSD Insertion Threshold Voltage | Half Contrast enable Register 08hex d6 = 1 | 1.5 | 1.9 | 2.3 | V |
| V _{TH-HC} | Half Contrast Threshold Voltage | Half Contrast enable Register 08hex d6 = 1 | 0.5 | 0.7 | 0.85 | V |
| V _{THFB2} | Blanking Threshold Voltage, | Oversize Blanking active Register 08hex, d7 = 1 | 3.2 | 4 | 4.8 | V |
| t _{swI1} | Insertion Switching Delay | | | 20 | 40 | ns |
| t _{swI2} | Blanking Switching Delay | From FBOSD = 4V to starting of blanking falling edge at R,G,B out- puts | | 100 | | ns |
| I _{FB} | Input current | 0V at Pin FBOSD | | | 10 | μA |

EXTERNAL RGB/YCrCb INPUTS

| Symbol | Parameter | Test Conditions | Min. | Typ | Max. | Unit |
|--------------------|---|---|------|-----------------|------|-----------------|
| V _{CLAMP} | Clamp Level | Max. Contrast | | 3.5 | | V |
| V _{RGB} | RGB Input Voltage | | | 0.7 | 1 | V _{PP} |
| V _{YCrCb} | YCrCb Input Voltage | 100% color bar register 0Ahex d7d6 = 11 Y Cr Cb | | 1 0.7 0.7 | | V _{PP} |
| CRGB | RGB Gain | Max. Contrast, Max. Drive | | 4.28 | | - |
| D _{black} | Difference of black level of internal and external signals at the RGB out- puts | OSD signal versus internal signal | | | 50 | mV |
| I _{RGB} | Clamping Current | | 60 | 100 | 140 | μA |
| Crosstalk | Deletion of non-selected RGB source | From 0 to 5 MHz | 50 | | | dB |

EXTERNAL FAST BLANKING INPUT (See Note 8)

| Symbol | Parameter | Test Conditions | Min. | Typ | Max. | Unit |
|-------------------|-------------------------------------|-----------------|------|-----|------|------|
| V _{THFB} | Insertion Threshold Voltage | | 0.5 | 0.7 | 0.85 | V |
| t _{swI} | Insertion Switching Delay | | | 20 | 40 | ns |
| I _{FB} | Input Current | 0V at Pin FBEXT | | | 10 | μA |
| V _{MAX} | Max. voltage allowed at FBEXT input | | | | 5 | V |

Note 8: FBEXT input must be connected to ground if not used in the application.

STV223XD/224XC - ELECTRICAL CHARACTERISTICS

4.6 LUMA PART

Y DELAY LINE

| Symbol | Parameter | Test Conditions | Min. | Typ | Max. | Unit |
|-------------|--------------------------------|---|------|-----|------|------|
| t_{D1} | Delay Time PAL/NTSC | SVHS mode, Register 1F d3 = 0 | | 520 | | ns |
| t_{D2} | Delay Time SECAM | SVHS mode, Register 1F d3 = 0 | | 640 | | ns |
| t_{D3} | Delay Time PAL/NTSC | CVBS mode, Register 1F d3 = 0 | | 560 | | ns |
| t_{D4} | Delay Time SECAM | CVBS mode, Register 1F d3 = 0 | | 710 | | ns |
| t_{SHIFT} | Delay Time (lumDel1 - lumDel2) | lumDel1 = reg 1F d3 = 0, standard luma delay lumDel2 = reg 1F d3 = 1, shifted luma delay | | 140 | | ns |
| Groupdel | Group Delay up to 3.5MHz | Trap-off | | ±30 | | ns |

PEAKING CIRCUIT

Electrical parameter measured with color identified

| Symbol | Parameter | Test Conditions | Min. | Typ | Max. | Unit |
|------------|---|-----------------------------------|------|-----|------|------|
| f_{PEAK} | Center Frequency | Trap-off, coring ON | 2.5 | 3 | 3.5 | MHz |
| G_{PEAK} | Gain Variation from Min. to Max. peaking | At f_{PEAK} , coring ON | | 9 | | dB |
| Overshoot | Amplitude Variation compared to B/W amplitude | 2T pulse, Max. peaking, coring ON | | 55 | | % |
| Pre-shoot | Amplitude Variation compared to B/W amplitude | 2T pulse, Max. peaking, coring ON | | 40 | | % |
| Aft-shoot | Amplitude Variation compared to B/W amplitude | 2T pulse, Max. peaking, coring ON | | 40 | | % |
| Coring | Coring Range compared to B/W | Coring ON | | 10 | | % |

BLACK STRETCH CONTROL (PIN BS) See Figure 12

| Symbol | Parameter | Test Conditions | Min. | Typ | Max. | Unit |
|---------|---|------------------------------------|------|-----|------|------|
| BSth1 | Black Stretch Threshold referred to B/W amplitude | Y/CVBS inputs: 0.7V B/W, No set-up | | 50 | | % |
| BSMax. | Maximum expansion referred to B/W amplitude | Y/CVBS inputs: 0.7V B/W, No set-up | | -20 | | % |
| BSVMax. | Black Stretch Control Voltage | Max. black stretch | | 2.6 | | V |
| BSVMin. | Black Stretch Control Voltage | No black stretch | | 3.3 | | V |
| I100IRE | Discharging current | Y = 100IRE | | 8 | | µA |
| I0IRE | Charging Current | Y = 0IRE | | 35 | | µA |

Y OUTPUT

| Symbol | Parameter | Test Conditions | Min. | Typ | Max. | Unit |
|----------|--|--|------------------------|-------------------|------|------|
| Yout-DC | Black level | | | 3.7 | | VBW |
| Yout-amp | Black to White Amplitude | | | 0.7 | 0.99 | V |
| Yout-BW | Luma Path Bandwidth | Peaking nominal SVHS mode/Trap-off CVBS, PAL/NTSC 4.43MHz CVBS, SECAM CVBS, PAL/NTSC 3.58MHz | 8 2.7 2.5 2.5 | 3.5 3.1 3.0 | | MHz |
| Yout S/N | Signal to Noise Ratio (V_{PP}/V_{RMS}) | Bandwidth 5MHz, Peaking Min.,coring ON | 50 | | | dB |

STV223XD/224XC - ELECTRICAL CHARACTERISTICS

4.7 FILTERS

Y TRAP FILTER

| Symbol | Parameter | Test Conditions | Min. | Typ | Max. | Unit |
|----------------|-------------------------------|--|------|------------|------|------|
| $f_{TRAP-PN}$ | Notch Frequency | PAL/NTSC | | f_{OSC} | | MHz |
| f_{TRAP-S} | Notch Frequencies | SECAM fnb SECAM fnr | | 4.2 4.5 | | MHz |
| $f_{TRAP-ACC}$ | Notch Frequency Accuracy | | | | 3.5 | % |
| Q_{TRAP} | Trap Quality Factor | $Q = 1 / (f_0/f-3dB - f-3dB/f_0)$, Peaking Min. | | 1.5 | | - |
| CrejPN | Color Subcarrier Rejection | PAL/NTSC | 20 | | | dB |
| CrejS | Color Rejection in SECAM Mode | From 4.1 to 4.6 MHz At 3.9 MHz | 10 | 20 | | dB |

CHROMINANCE BANDPASS

| Symbol | Parameter | Test Conditions | Min. | Typ | Max. | Unit |
|----------|-------------------------|----------------------------|------|-----------|------|------|
| f_{BP} | Center Frequency | Register 12h, d3-d0 = 0000 | -5% | f_{OSC} | +5% | MHz |
| Q_{BP} | Bandpass Quality Factor | | 2.8 | 3.5 | 4.2 | - |

CLOCHE FILTER

| Symbol | Parameter | Test Conditions | Min. | Typ | Max. | Unit |
|--------------|-----------------------|-----------------------------|------|------|------|------|
| f_{CLOCHE} | Center Frequency | Register 11h, d4-d0 = 00000 | 4.27 | 4.29 | 4.31 | MHz |
| Q_{BP} | Cloche Quality Factor | | 14 | 16 | 18 | - |

4.8 CHROMA PART

ACC

| Symbol | Parameter | Test Conditions | Min. | Typ | Max. | Unit |
|------------|--------------------------------|---|------|------|------|----------|
| G_{ACC} | ACC Control Range | Change of burst overall ACC control range < 2dB | | 26 | | dB |
| $V_{Min.}$ | Minimum Burst Signal Amplitude | Within the ACC control range | | 0.03 | | V_{PP} |

ACC OVERLOAD

| Symbol | Parameter | Test Conditions | Min. | Typ | Max. | Unit |
|----------|-----------------------------|---------------------------|------|-----|------|------|
| V_{TH} | Chroma regulation Threshold | ACC overload ON, PAL/NTSC | | 3 | | dB |

KILLER

| Symbol | Parameter | Test Conditions | Min. | Typ | Max. | Unit |
|------------|--------------------------------------|--|------|-----|------|-----------|
| Ident-kill | Color on Threshold of ident. circuit | Burst amplitude on selected CVBS input | | 5 | | mV_{PP} |
| Kill-Hyst | Color off Killer Hysteresis | Strong signal condition, S/N > 40 dB | | 2 | | mV_{PP} |

CHROMA PLL

| Symbol | Parameter | Test Conditions | Min. | Typ | Max. | Unit |
|--------|----------------|---|-----------|-------------------------|------|------|
| CaptR | Catching Range | With recommended crystal and recommended CLPF filter value. | ± 300 | | | |
| HoldR | Holding Range | | | > or = to capture range | | |

STV223XD/224XC - ELECTRICAL CHARACTERISTICS

PLL LOOP FILTER (PAL/NTSC)

| Symbol | Parameter | Test Conditions | Min. | Typ | Max. | Unit |
|----------------|-------------------------|---|------|-------------|------|------|
| I _C | Maximum Control Current | Color search mode (colour not ident.) Color identified | | 1000 350 | | μA |
| I _L | Leakage Current | | | | 5 | μA |
| Frange-W | Auto Flesh Control | Register 14(HEX), d6 = 1, d7 = 1 | | ±90 | | Deg |

HUE CONTROL

| Symbol | Parameter | Test Conditions | Min. | Typ | Max. | Unit |
|--------|-------------------|-----------------|------|-----|------|------|
| Rhue | Hue Control Range | | ±35 | ±45 | ±55 | Deg |

AUTOMATIC FLESH CONTROL See Figure 13

| Symbol | Parameter | Test Conditions | Min. | Typ | Max. | Unit |
|-----------|---------------------------------------|----------------------------------|------|-----|------|------|
| FleshNom. | Nominal Flesh tint phase | | | 118 | | Deg |
| Fcorr0 | Phase Correction when auto flesh ON | At FleshNom | | 0 | | Deg |
| FMax.-N | Maximum Phase Correction | Register 14(HEX), d6 = 1, d7 = 0 | | ±10 | | Deg |
| Flesh-N | Chroma Input Phase at Max. correction | Register 14(HEX), d6 = 1, d7 = 0 | | ±30 | | Deg |
| Frange-N | Auto Flesh Control Range | Register 14(HEX), d6 = 1, d7 = 0 | | ±60 | | Deg |
| FMax.-W | Maximum Phase Correction | Register 14(HEX), d6 = 1, d7 = 1 | | ±20 | | Deg |
| Flesh-W | Chroma Input Phase at Max. correction | Register 14(HEX), d6 = 1, d7 = 1 | | ±45 | | Deg |
| Frange-W | Auto Flesh Control | Register 14(HEX), d6 = 1, d7 = 1 | | ±90 | | Deg |

COLOR DEMODULATORS

| Symbol | Parameter | Test Conditions | Min. | Typ | Max. | Unit |
|----------|-----------------------------------|---|------|-----|------|------|
| DoffsetP | Demodulator Offset | PAL/NTSC mode, 75% color bar | | | ±2 | % |
| DoffsetS | Demodulator Offset | SECAM mode, 75% color bar | | | ±2 | % |
| PhaseErr | Phase Error in demodulated signal | PAL/NTSC mode, 90% matrix | | | 5 | Deg |
| TransPal | Chroma Transient Time | PAL mode, 75% color bar green-magenta transient | | 700 | | ns |
| transSEC | Chroma Transient Time | SECAM mode, 75% color bar green-magenta transient | | 900 | | ns |
| Naxis | R-Y Demodulation Axis | NTSC mode, 104° matrix | | 104 | | Deg |

CHROMA DELAY LINE

| Symbol | Parameter | Test Conditions | Min. | Typ | Max. | Unit |
|--------|---|---|------|-----|------|------|
| Cdelay | Delay of delayed signals | Relative to non delayed signal | 63.9 | 64 | 64.1 | μs |
| Ctrans | Difference of transient times between delayed and non delayed signals | SECAM mode. t _{RN} - t _{RN+1} t _{RN} : rise time line N (direct) t _{RN+1} : rise time line N +1 (delayed) | | | 150 | ns |
| Dgain | Differential Gain of delayed signals versus direct signals | SECAM mode. G _{n+1} /G _n G _n : direct channel gain G _{n+1} : delayed channel gain | -0.5 | 0 | 0.5 | dB |

STV223XD/224XC - ELECTRICAL CHARACTERISTICS

U & V OUTPUTS (TQFP64)

| Symbol | Parameter | Test Conditions | Min. | Typ | Max. | Unit |
|-----------|--|--|------|------|------|------------------|
| UVout-dcc | Black Level | | | 3.7 | | V |
| Uout-amp | B-Y Signal Amplitude | Chroma delay line ON, 75% color bar PAL/SECAM | | 1.33 | | V _{PP} |
| Vout-amp | R-Y Signal Amplitude | Chroma delay line ON, 75% color bar PAL/SECAM | | 1.05 | | V _{PP} |
| UVres | Internal Output Resistance | | | 300 | | Ω |
| Uout-amp | B-Y Signal Amplitude | Chroma delay line OFF, 75% color bar PAL | | 0.66 | | V _{PP} |
| Vout-amp | R-Y Signal Amplitude | Chroma delay line OFF, 75% color bar PAL | | 0.52 | | V _{PP} |
| DemRatio | Ratio of B-Y/R-Y demodulators gain | 75% color bar PAL/SECAM, measured on U, V outputs | 1.14 | 1.27 | 1.4 | - |
| RES | Residual Subcarrier at U, V outputs | | | | 45 | mV _{PP} |
| Lum/chr | Luma/Chroma Delay Difference at U, V outputs | External CVBS input signal, reg 1Fd3 = 0 | | | ±80 | ns |

CHROMA REFERENCE OUTPUT

| Symbol | Parameter | Test Conditions | Min. | Typ | Max. | Unit |
|-------------------|---------------------------------------|-----------------|------|-----|------|-----------------|
| CHR-amp | Chroma VCO Reference Signal Amplitude | | | 0.4 | | V _{PP} |
| I _{SCHR} | Sink Current | | | 0.5 | | mA |

4.9 SCANNING PART

SYNC. SEPARATOR

| Symbol | Parameter | Test Conditions | Min. | Typ | Max. | Unit |
|-------------------|---------------------------------|-----------------|------|-----|------|------|
| V _{sync} | Synchronization Pulse Amplitude | | 50 | 300 | 450 | mV |

HORIZONTAL OSCILLATOR

| Symbol | Parameter | Test Conditions | Min. | Typ | Max. | Unit |
|--------------------|---------------------------------|---------------------------------|--------------|--------------|-----------|------|
| f _{H50} | Horizontal Frequency | 50 Hz mode | | 15.6 | | kHz |
| f _{H60} | Horizontal Frequency | 60 Hz mode | | 15.7 | | kHz |
| f _{RANGE} | Frequency Control Range | Low Frequency High Frequency | 14.7 15.9 | 15.0 16.3 | 15.3 — | kHz |
| f _{FREE} | Free Frequency when PLL1 opened | | 15.3 | 15.6 | 15.9 | kHz |

FIRST LOOP FILTER

| Symbol | Parameter | Test Conditions | Min. | Typ | Max. | Unit |
|-------------------|------------------------------------|-----------------|------|------|------|------|
| I _{LOW} | Long Time Constant Output Current | | 0.10 | 0.13 | 0.16 | mA |
| I _{HIGH} | Short Time Constant Output Current | | 0.30 | 0.40 | 0.56 | mA |
| I _{VLOW} | Very Long Time Constant | | 0.03 | 0.05 | 0.07 | mA |

SECOND LOOP FILTER

| Symbol | Parameter | Test Conditions | Min. | Typ | Max. | Unit |
|---------|--|-------------------------------|------|---------|------|------|
| CrangP2 | Control Range from start of horizontal output to flyback pulse | Centered horizontal position | | 0 to 12 | | μs |
| Hshift | Horizontal Position Control Range | | 5 | 5.25 | | μs |
| Hdrift | Horizontal Drift with temperature | From 0°C to 70°C (see Note 9) | | | 200 | ns |

STV223XD/224XC - ELECTRICAL CHARACTERISTICS

Note 9: This parameter is not tested during production, it is tested during qualification phase.

LINE FLYBACK INPUT/SUPER-SANDCASTLE OUTPUT

| Symbol | Parameter | Test Conditions | Min. | Typ | Max. | Unit |
|---------------------|---|--|------|------|------|-------|
| V _{BURST} | Output Voltage during Burst Key | | 4.8 | 5.3 | 5.8 | V |
| V _{LINE} | Clamped Input Voltage during Line Flyback | | 2.6 | 3 | 3.4 | V |
| V _{VERT} | Output Voltage during Vertical pulse | | 1.8 | 2 | 2.2 | V |
| T _{wbg} | Burst key Pulse Width | | | 3.8 | | µs |
| T _{dbg} | Delay of start of burst key to start of sync. | | | 5.2 | | µs |
| T _{vert} | Vertical Pulse Width | | | 10.5 | | lines |
| V _{THLINE} | PLL2 and Line Blanking Threshold Voltage referred to line level V _{line} | V _{thline} /V _{line} | | 83 | | % |
| I | Input Current | | 0.1 | | 1 | mA |

HORIZONTAL OUTPUT

| Symbol | Parameter | Test Conditions | Min. | Typ | Max. | Unit |
|----------------------|--|--|------|-----|------|------|
| t _w | Output Pulse Width | | 26 | 28 | 30 | µs |
| V _{LOW} | Low Output Voltage | I _{SINK} = 5mA | | | 0.4 | V |
| V _{CCSTART} | V _{CC} Start Level | | 5.5 | 6 | 6.5 | V |
| V _{CCSTOP} | V _{CC} Stop Level Hysteresis | V _{CCSTART} - V _{CCSTOP} | 0.5 | 0.6 | 0.7 | V |
| I _{Max.} | Maximum allowed Output Current | | | | 10 | mA |
| V _{Max.} | Maximum allowed Output Voltage | | | | 10 | V |
| T _{ss} | Output Pulse Duty Cycle in soft-start mode (t _{HIGH} /(t _{HIGH} +t _{LOW})) | | | 75 | | % |

VERTICAL OUTPUT

| Symbol | Parameter | Test Conditions | Min. | Typ. | Max. | Unit |
|----------------------|--|---|------------|----------|------------|-------|
| t _w | Output Pulse Width | | | 10.5 | | Lines |
| V _{LOW} | Low Output Voltage | 4/3 selected, reg 19, d0 = 1 16/9 selected, reg 19, d0 = 0 | 1.5 | 2 0.1 | 2.5 0.5 | V |
| f _{LOCK} | Locking Range | | 248 | | 352 | Lines |
| f _{FREE-50} | Free Frequency (no Video signal) | 50-Hz Forced or 50-Hz Auto mode | | 314 | | Lines |
| f _{FREE-60} | Free Frequency (no Video signal) | 60-Hz Forced or 60-Hz Auto mode | | 264 | | Lines |
| V _{HIGH} | High Level Range Vertical Position Control | Min. position control Max. position control | 3.5 6.0 | 4 6.5 | 4.5 7.0 | V |
| I _{SINK} | Output Sinking Current | | 0.7 | 1.0 | | mA |
| I _{SOURCE} | Output Source Current | | 0.7 | 1.0 | | mA |

VERTICAL AMPLITUDE CONTROL

| Symbol | Parameter | Test Conditions | Min. | Typ. | Max. | Unit |
|------------------|----------------------|--|------------|------------|------------|------|
| V _{AMP} | Output Voltage Range | Min. amplitude voltage Max. amplitude voltage | 1.2 5.5 | 1.5 6.0 | 1.7 6.5 | V |

CRYSTAL DETECTION

| Symbol | Parameter | Test Conditions | Min. | Typ. | Max. | Unit |
|-------------------|-----------------------------|-------------------------------|------|------|------|------|
| R _{4.43} | Load resistance at pin VAMP | 4.43 MHz crystal on pin XTAL1 | 80 | | | kΩ |
| R _{3.58} | Load resistance at pin VAMP | 3.58 MHz crystal on pin XTAL1 | | | 10 | kΩ |

STV223XD/224XC - ELECTRICAL CHARACTERISTICS

4.10 RGB CONTROL PART

Y INPUT

| Symbol | Parameter | Test Conditions | Min. | Typ | Max. | Unit |
|---------|--------------------------|-----------------|------|-----|------|------|
| YINdc | Black Level | | | 3.7 | | V |
| Yin-B/W | Black to White Amplitude | | | 0.7 | 1 | V |
| Yin-cur | Input Current | | | | 1 | μA |

U & V INPUTS

| Symbol | Parameter | Test Conditions | Min. | Typ | Max. | Unit |
|----------|---------------|-------------------------|------|------|------|-----------------|
| UVin-dc | Black Level | | | 3.7 | | V |
| Uin-amp | B-Y Amplitude | 75% color bar PAL/SECAM | | 1.33 | 2.0 | V _{PP} |
| Vin-amp | R-Y Amplitude | 75% color bar PAL/SECAM | | 1.05 | 2.0 | V _{PP} |
| UVin-cur | Input Current | | | | 1 | μA |

CONTRAST CONTROL

| Symbol | Parameter | Test Conditions | Min. | Typ | Max. | Unit |
|--------|----------------------------------|-----------------|------|-----|------|------|
| Yctr | Contrast Range on Y signal | | 21 | 24 | 27 | dB |
| OSDctr | Contrast Range on OSD RGB signal | | 10 | 12 | 14 | dB |

SATURATION CONTROL

| Symbol | Parameter | Test Conditions | Min. | Typ | Max. | Unit |
|---------------------|----------------------------|---|------|-----|------|------|
| SAT _{Max.} | Maximum Saturation Control | 75% color bar PAL/SECAM, 0 dB for data 20 in reg 08 | 6 | 9 | 12 | dB |
| SAT _{Min.} | Minimum Saturation Control | 75% color bar PAL/SECAM, 0 dB for data 20 in reg 08 | | -40 | | dB |

BRIGHTNESS CONTROL

| Symbol | Parameter | Test Conditions | Min. | Typ | Max. | Unit |
|----------|---|--|------|-----|------|------|
| Bright | Brightness Control Range referred to B/W amplitude on RGB outputs | At Max. Contrast | 50 | 60 | 70 | % |
| Blacknom | Nominal Black Level at RGB outputs. Difference between black level V _{BLACK} and inserted cut-off pulse level V _{CO} : V _{BLACK} - V _{CO} | BS mode, Max. Contrast. (V _{BLACK} - V _{CO})/V _{BW} V _{BW} : black to white amplitude at RGB outputs. | | -12 | | % |

RGB MATRIX

| Symbol | Parameter | Test Conditions | Min. | Typ | Max. | Unit |
|---------|-------------|---|-------|-------|-------|------|
| G/R | (G-Y)/(R-Y) | PAL/SECAM matrix measured on R, G outputs PAL DEMpattern | -0.40 | -0.51 | -0.62 | - |
| G/B | (G-Y)/(B-Y) | PAL/SECAM matrix measured on G, B outputs PAL DEMpattern | -0.15 | -0.19 | -0.23 | - |
| R/Bntsc | (R-Y)/(B-Y) | NTSC mode, 104° matrix input signal: U = V measured on R, B outputs | | 0.9 | | - |
| G/Rntsc | (G-Y)/(R-Y) | NTSC mode, 104° matrix | | -0.29 | | - |
| G/Bntsc | (G-Y)/(B-Y) | NTSC mode, 104° matrix | | -0.22 | | - |

STV223XD/224XC - ELECTRICAL CHARACTERISTICS

DRIVE ADJUSTMENT (WHITE POINT ADJUSTMENT)

| Symbol | Parameter | Test Conditions | Min. | Typ | Max. | Unit |
|---------|------------------------------|-----------------|------|-----|------|------|
| WPrange | White Point Adjustment Range | On RGB outputs | | 6 | | dB |

CUT-OFF ADJUSTMENT (BLACK POINT ADJUSTMENT)

| Symbol | Parameter | Test Conditions | Min. | Typ | Max. | Unit |
|----------|--------------------------|---|------|-----|------|------|
| COadjust | Cut-off Adjustment Range | On Red and green outputs at Typ. drive, no load | | 420 | | mV |
| COloop | Cut-off Loop Range | On RGB outputs | 2 | 2.5 | | V |
| COlevel | Inserted Cut-off Level | | 1.5 | 2.5 | 3.5 | V |

CATHODE CURRENT INPUT

| Symbol | Parameter | Test Conditions | Min. | Typ | Max. | Unit |
|--------------|--|-----------------|------|------|------|---------|
| V_{LEAK} | Leakage Current Reference Voltage | | | 3.75 | 4 | V |
| V_{COFF} | Cut-off Current Reference Voltage referred to leakage current reference V_{LEAK} | | 210 | 250 | 290 | mV |
| V_{SBEAM} | Start Beam Current Detection Reference Voltage | | 4.1 | 4.3 | | V |
| I_{SOURCE} | Source Current | | 150 | | | μ A |

BEAM CURRENT LIMITER INPUT See Figure 14 and Figure 15

| Symbol | Parameter | Test Conditions | Min. | Typ | Max. | Unit |
|-----------|-------------------------------------|-----------------------|------|------|------|------|
| V_{TH1} | Contrast Attenuation Starting | | | 5.75 | | V |
| V_{TH2} | Brightness Attenuation Starting | | | 5.5 | | V |
| V_{TH3} | Contrast Attenuation Ending | | | 5.25 | | V |
| CTRbcl | Contrast Attenuation at V_{TH3} | | | 14 | | dB |
| V_{TH4} | Brightness Attenuation Ending | | | 4.5 | | V |
| BRIGbcl | Brightness Attenuation at V_{TH4} | | 100 | | | % |
| Clp | High Clamping Voltage | | 6.5 | | | V |
| SAF-thr | Safety Threshold | | 0.8 | 1 | 1.2 | V |
| SAF-hold | Supply Hold Voltage | Referred to V_{CC1} | 3 | | | V |

AUTOMATIC RGB PEAK REGULATION See Figure 16

| Symbol | Parameter | Test Conditions | Min. | Typ | Max. | Unit |
|-------------|---|--|------|---------------------|------|---------|
| APR | Maximum Output Level on RGB outputs when APR ON | Contrast Max., drive Max., no load APR threshold Min. (50IRE) APR threshold 70IRE APR threshold Max. (100IRE) | | 2.14 3.0 4.28 | | V |
| i_{APR-D} | Discharging Current | | | 5.5 | | μ A |
| i_{APR-C} | Charging Current | | | 5.25 | | mA |

STV223XD/224XC - ELECTRICAL CHARACTERISTICS

RGB OUTPUTS

| Symbol | Parameter | Test Conditions | Min. | Typ | Max. | Unit |
|---------------------|--|--|-------------|-------------|------|-----------------|
| V _{B/W} | Output Signal Amplitude B/W | 0.7V B/W on Y/CVBS inputs, Contrast Max., Drive Max., Saturation and bright Nom., APR OFF, no load | | 3 | | V |
| V _{BLUE} | Output Signal Amplitude | 75/100 color bar, no Y nom. settings, APR OFF, no load | | 1.5 | | V _{PP} |
| I _{SINK} | Output Sinking Current | | 1.2 | 1.5 | | mA |
| I _{SOURCE} | Output Source Current | | | | 1.8 | mA |
| R _{OUT} | Internal Output Resistance | | | 150 | | Ω |
| V _{BLANK} | Blanking Level | No load | | 0.2 | 0.4 | V |
| V _{CLIP} | High Clipping Level | No load | | 6.8 | | V |
| Black-ctr | Variation of black level with contrast | | | | 30 | mV |
| Black-sat | Variation of black level with saturation | | | | 50 | mV |
| Rel-Black | Relative Variation in black level between the three channels | 20dB contrast variation Overall brightness range ±5% V _{CC1} | | | 20 | mV |
| Black-T | Black Level Thermal Drift | | | 1 | | mV/°C |
| Track | Tracking between Luminance and Chrominance signals | At typical saturation From Max. Contrast (0 dB) to -10 dB Contrast | | | 2 | dB |
| Bwidth | Bandwidth of output signals at -3dB | YUV inputs to RGB outputs OSD RGB inputs to RGB outputs EXT. RGB inputs to RGB outputs | 6 6 5 | 8 8 6 | | MHz |

Figure 12. Black Stretch Static Characteristics (IRE)

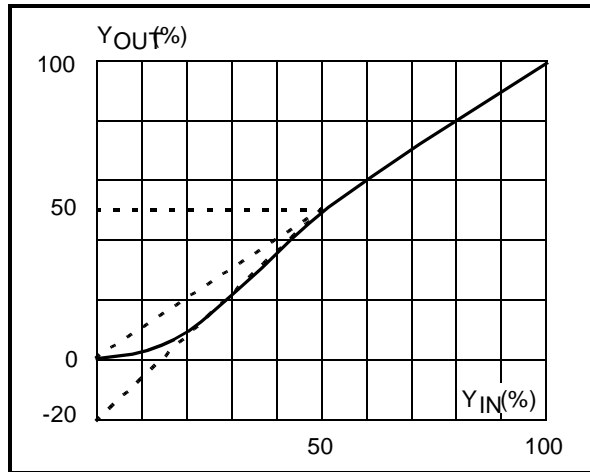
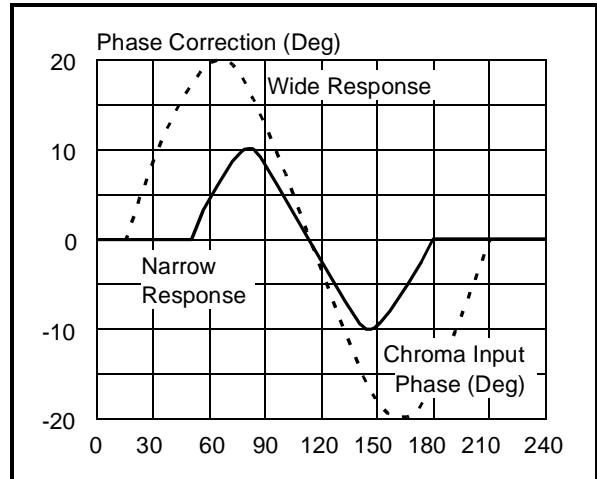


Figure 13. Auto Flesh Characteristics



STV223XD/224XC - ELECTRICAL CHARACTERISTICS

Figure 14. Beam Current Limiter Characteristics (Contrast)

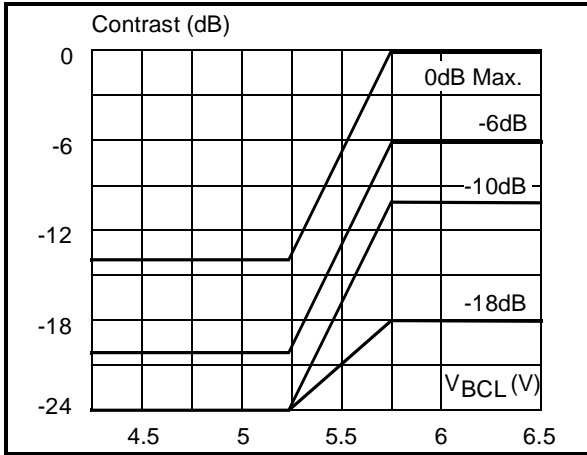


Figure 15. Beam Current Limiter Characteristics (Brightness)

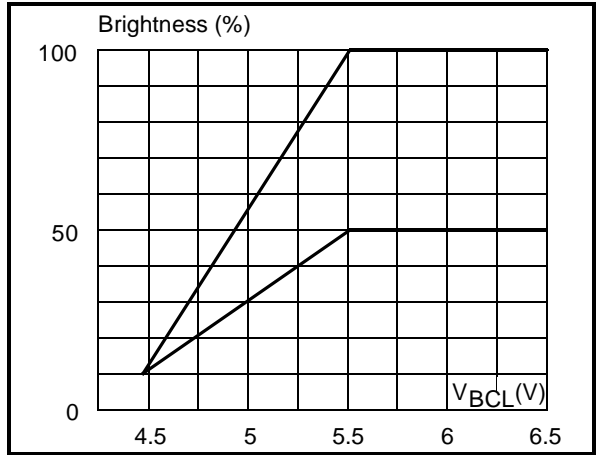


Figure 16. APR Characteristics

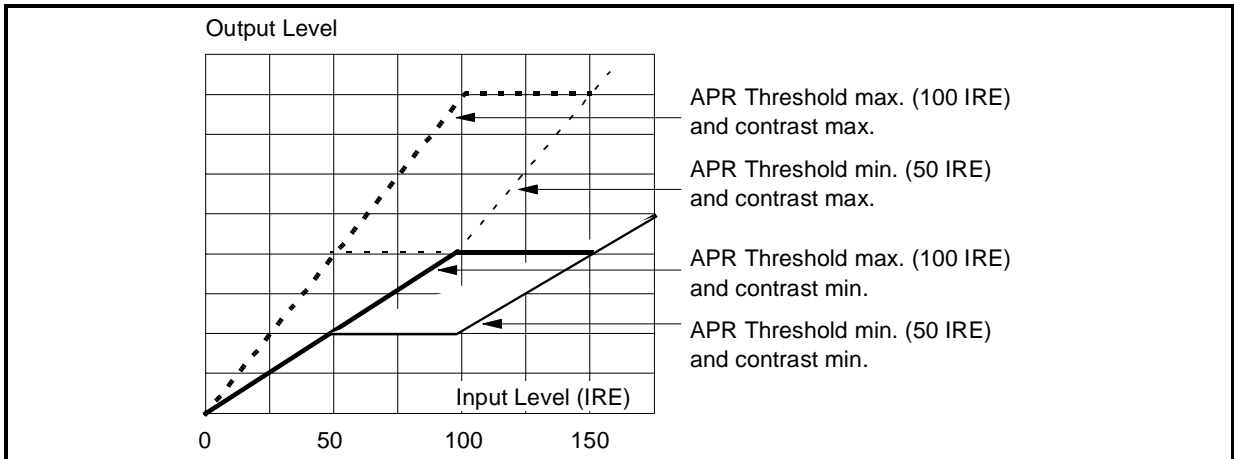


Figure 17. Linear Volume Control Curve (7 bits, reg. 05 d6-d0, reg. 05 d7 = 0)

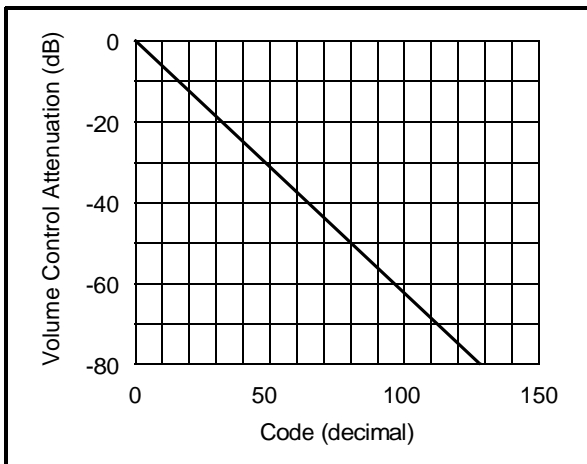
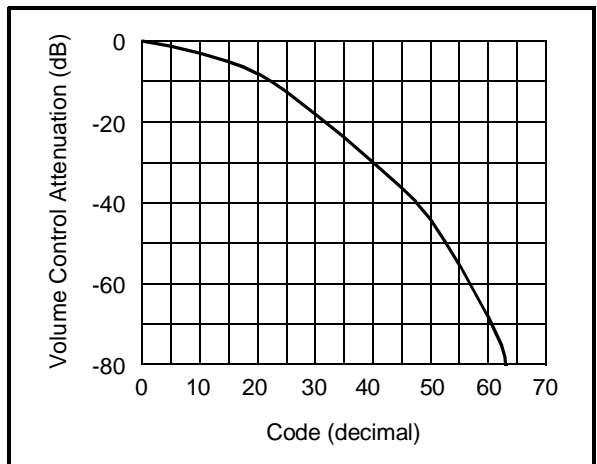


Figure 18. Non-Linear Volume Control Curve (6 bits, reg. 05 d6-d1, reg. 05 d7 = 1)



STV223XD/224XC - ELECTRICAL CHARACTERISTICS

4.11 I²C BUS CHARACTERISTICS

SCL

| Symbol | Parameter | Test Conditions | Min. | Typ | Max. | Unit |
|------------------|--------------------------|--|------|-----|----------------------|------|
| V _{IL} | Low Level Input Voltage | | -0.5 | | 1.5 | V |
| V _{IH} | High Level Input Voltage | | 3 | | V _{CC} +0.5 | V |
| I _{LI} | Input Leakage Current | V _{IN} = 0 to V _{CC} | -10 | | 10 | μA |
| f _{SCL} | Clock Frequency | | 0 | | 100 | kHz |
| t _R | Input Rise Time | 1.5V to 3V | | | 1.000 | ns |
| t _F | Input Fall Time | 1.5V to 3V | | | 300 | ns |
| C _I | Input Capacitance | | | | 10 | pF |

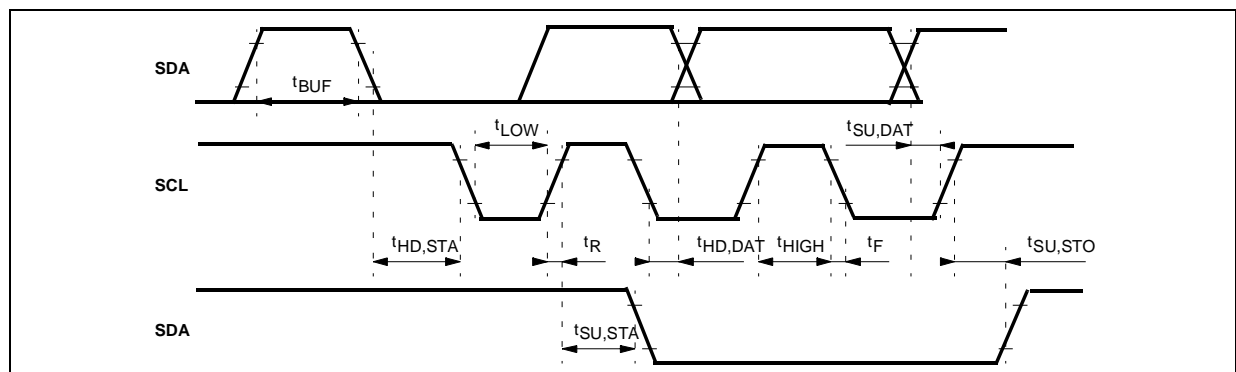
SDA

| Symbol | Parameter | Test Conditions | Min. | Typ | Max. | Unit |
|-----------------|--------------------------|--|------|-----|----------------------|------|
| V _{IL} | Low Level input Voltage | | -0.5 | | 1.5 | V |
| V _{IH} | High Level input Voltage | | 3 | | V _{CC} +0.5 | V |
| I _{LI} | Input Leakage Current | V _{IN} = 0 to V _{CC} | -10 | | 10 | μA |
| C _I | Input Capacitance | | | | 10 | pF |
| t _R | Input Rise Time | 1.5V to 3V | | | 1.000 | ns |
| t _F | Input Fall Time | 1.5V to 3V | | | 300 | ns |
| V _{OL} | Low Level Output Voltage | I _{OL} = 3mA | | | 0.4 | V |
| t _F | Output Fall Time | 3V to 1.5V | | | 250 | ns |
| C _L | Load Capacitance | | | | 400 | pF |
| C _I | Input Capacitance | | | | 10 | pF |

I²C TIMING

| Symbol | Parameter | Test Conditions | Min. | Typ | Max. | Unit |
|---------------------|--|-----------------|------|-----|------|------|
| t _{LOW} | Clock Low period | | 4.7 | | | μs |
| t _{HIGH} | Clock High period | | 4 | | | μs |
| t _{SU,DAT} | Data Set-up Time | | 250 | | | ns |
| t _{HD,DAT} | Data Hold Time | | 0 | | 340 | ns |
| t _{SU,STO} | Set-up Time from Clock High to Stop | | 4 | | | μs |
| t _{BUF} | Start Set-up Time following a Stop | | 4.7 | | | μs |
| t _{HD,STA} | Start Hold Time | | 4 | | | μs |
| t _{SU,STA} | Start Set-up Time following Clock Low to High Transition | | 4.7 | | | μs |

Figure 19. I²C Bus Timing



STV223XD/224XC - I²C BUS SPECIFICATIONS

5 I²C BUS SPECIFICATIONS

Data transfers follow the usual I²C format: after the start condition (S), a 7-bit slave address is sent, followed by an eight-bit which is a data direction bit (W). An 8-bit sub-address is sent to select a register, followed by an 8-bit data word to be included in the register.

The IC's I²C bus decoder permits the automatic incrementation mode in write mode.

The circuit operates up to clock frequencies of 400 kHz.

String Format

Write only mode (S = start condition, P = stop condition, A = acknowledge)

| | | | | | | | | |
|---|---------------|---|---|-------------|---|------|---|---|
| S | SLAVE ADDRESS | 0 | A | SUB-ADDRESS | A | DATA | A | P |
|---|---------------|---|---|-------------|---|------|---|---|

Read only mode

| | | | | | | | | | | | | |
|---|---------------|---|---|--------|---|--------|---|--------|---|--------|---|---|
| S | SLAVE ADDRESS | 1 | A | DATA 0 | A | DATA 1 | A | DATA 2 | A | DATA 3 | A | P |
|---|---------------|---|---|--------|---|--------|---|--------|---|--------|---|---|

Slave Address

| Address | A7 | A6 | A5 | A4 | A3 | A2 | A1 | A0 |
|---------|----|----|----|----|----|----|----|----|
| Value | 1 | 0 | 0 | 0 | 1 | 0 | 1 | X |

Write Address: 10001010

Read Address: 10001011

6 I²C BUS SELECTION

6.1 STV2238D: SUMMARY INPUT SIGNALS (WRITE MODE)

“Not-to-be-used” data must be set to “0”.

| Reg. Addr. (Hex) | DATA D7 | DATA D6 | DATA D5 | DATA D4 | DATA D3 | DATA D2 | DATA D1 | DATA D0 |
|------------------|-------------------------------------|-------------------------|-------------------------------------|-------------------------------------|---------------------------------------|--------------------------|---|----------------------|
| 00 | PIFVCO Free Running Fine Adjustment | | | | | | | Not to be used |
| 01 | PIF Over-modulation | AFC Defeat | L/L' Mode | NEG/POS Modulation | PIFVCO Free Running Coarse Adjustment | | | |
| 02 | CVBS Output | Overmodulation Reset | Not to be used bit | INTCVBS Output Amplitude Adjustment | | | | |
| 03 | Tuner AGC gain | | Tuner AGC Starting Point Adjustment | | | | | |
| 04 | Intercarrier Filter ON/OFF | QSS and AM demod defeat | FM/AM Output Selection | FM Demod. Defeat | FM deviation and FM De-emphasis | | Main Audio Output selection (int./ext.) | |
| 05 | Volume Control Curve | Volume Control | | | | | | |
| 06 | Not to be used | QSS/ Inter-carrier | CVBS Mute | SAW Filter Switch | AGC SIF Time Constant | Sound Standard Selection | | PIF VCO compensation |
| 07 | Blue Screen | CO Insertion | Contrast | | | | | |
| 08 | Oversize Blanking | Half Contrast | Saturation | | | | | |
| 09 | CO Blanking | RGB Blanking | Brightness | | | | | |
| 0A | RGBext/YCrCb Insertion | | Red Drive Adjustment | | | | | |
| 0B | NTSC Set-up | Black Stretch | Green Drive Adjustment | | | | | |
| 0C | LSB RED Cut-off Counter | CO Freeze | Blue Drive Adjustment | | | | | |
| 0D | Manual Cut-off Selection | | Red Cut-off Adjustment | | | | | |
| 0E | LSB GREEN Cut-off Counter | Not to be used | Green Cut-off Adjustment | | | | | |
| 0F | White insertion ON/OFF | CVBS2 ON/OFF | Chroma Trap ON/OFF | Coring ON/OFF | Peaking | | | |
| 10 | Not to be used | CRT/LCD Display | RGBosd Contrast Selection | APR Threshold | | | | APR on/off |
| 11 | ACCO ON/OFF | NTSC 104 Matrix | PAL/NTSC Demod. Gain | Bell Filter Shift | | | | |
| 12 | Not to be used | | Chroma DL ON/OFF | Chroma Out ON/OFF | Bandpass Shift | | | |

STV223XD/224XC - I²C BUS SELECTION

| Reg. Addr. (Hex) | DATA D7 | DATA D6 | DATA D5 | DATA D4 | DATA D3 | DATA D2 | DATA D1 | DATA D0 |
|------------------|---|------------------|---------------------------|---------------------------|-----------------------------|---------------------------|----------------------|-----------------|
| 13 | Not to be used | | Crystal Input Pin Disable | Chroma Standard Selection | | Crystal Selection | | 3rd Crystal |
| 14 | Flesh Char. | Flesh on/off | HUE | | | | | |
| 15 | Safety Reset | Not to be used | | SVHS switch | Second Video Switch Control | Main Video Switch Control | | |
| 16 | Interlace | HOUT Disable | Horizontal Shift | | | | | |
| 17 | 50/60Hz Selection | | Vertical Amplitude | | | | | |
| 18 | Vertical Sync ON/OFF | Line Sync ON/OFF | PLL1 Time Constant | | Vertical Position | | | |
| 19 | Not to be used | | | | Noise Detector Threshold | Long Blanking | 4/3-16/9 | |
| 1A | Manual Cut-off Register - Red | | | | | | | |
| 1B | Manual Cut-off Register - Green | | | | | | | |
| 1C | Manual Cut-off Register - Blue | | | | | | | |
| 1D | Not to be used or CVBS1out (SDIP56, pin 29) | | | | | | | |
| 1E | Not to be used | | | AGC SIF time constant | Not to be used | | | |
| 1F | Audio Out (Mono or Sound subcarriers) | | AVL On/Off | AVL Time Constant | Luma Delay Shift | Not to be used | Sound Status Refresh | VOUT Inhibition |

6.2 STV2238D: SUMMARY OUTPUT SIGNALS (READ MODE)

| Reg. Addr. (Hex) | DATA D7 | DATA D6 | DATA D5 | DATA D4 | DATA D3 | DATA D2 | DATA D1 | DATA D0 |
|------------------|----------------------------------|--------------------------|--------------------------|-----------------|---------------------|------------------------|-----------------------|----------------|
| 00 | Chroma Standard Selection Status | | Crystal Selection Status | | Video Ident. Status | Field Lock Status | 50/60 Hz Status | Power ON Reset |
| 01 | FM Dem. VCO Cal. Status | Scanning VCO Cal. Status | FBosd Detection | FBext Detection | Safety Status | Horizontal Lock Status | Noise Detector Status | SVHS Status |
| 02 | Cut-off loop status | | FM Sound Carrier Levels | | | Digital AF Status | | |
| 03 | Tuner AGC Output Status | IC Identification | | | | | | |

6.3 STV2238D: INPUT SIGNALS (WRITE MODE)

Not used data bits must be set to "0".

PIFVCO FREE RUNNING FINE

| Reg. Addr. (Hex) | Description | Bits | Data | | | | | | | | Comments |
|------------------|-----------------|------|------|----|----|----|----|----|----|----|---|
| | | | d7 | d6 | d5 | d4 | d3 | d2 | d1 | d0 | |
| 00 | PIFVCO | 7 | 0 | 0 | 0 | 0 | 0 | 0 | 0 | X | PIF Typical + 0.7 MHz. PIF Free Running mid range. PIF Typical - 0.7 MHz. |
| | Free Running | | 1 | 0 | 0 | 0 | 0 | 0 | 0 | X | |
| | Fine Adjustment | | 1 | 1 | 1 | 1 | 1 | 1 | 1 | X | |
| | Not to be used | 1 | X | X | X | X | X | X | X | 0 | |

PIF FREE RUNNING COARSE

| Reg. Addr. (Hex) | Description | Bits | Data | | | | | | | | Comments |
|------------------|---|------|------|----|----|----|----|----|----|----|--|
| | | | d7 | d6 | d5 | d4 | d3 | d2 | d1 | d0 | |
| 01 | PIFVCO Free Running Coarse Adjustment for 38.9 MHz Carrier | 4 | X | X | 0 | X | 0 | 0 | 0 | 0 | PIFVCO = F ₀ + 2.0 MHz. PIFVCO = F ₀ (mid range). PIFVCO = F ₀ - 1.8 MHz. |
| | | | X | X | 0 | X | 0 | 1 | 1 | 1 | |
| | | | X | X | 0 | X | 1 | 1 | 1 | 1 | |
| | PIFVCO Free Running Coarse Adjustment for 33.9 MHz Carrier (L') | 4 | X | X | 1 | 1 | 0 | 0 | 0 | 0 | PIFVCO = F ₀ + 1.3 MHz. PIFVCO = F ₀ (mid range). PIFVCO = F ₀ - 1.2 MHz. |
| | | | X | X | 1 | 1 | 0 | 1 | 1 | 1 | |
| | | | X | X | 1 | 1 | 1 | 1 | 1 | 1 | |
| | PIF Modulation | 1 | X | X | X | 0 | X | X | X | X | 0 = Negative Modulation. 1 = Positive Modulation. |
| | L/L' Standard Selection | 1 | X | X | 0 | 1 | X | X | X | X | 0 = L Standard. 1 = L' Standard. |
| | Digital AFC Defeat | 1 | X | 0 | X | X | X | X | X | X | 0 = AFC Active. 1 = AFC Defeat (read register 02, d2 d1 d0 = 000). |
| | PIF Over-modulation | 1 | 0 | X | X | X | X | X | X | X | 0 = Over-modulation detection off. 1 = Over-modulation regulation active. |

PIF FEATURES

| Reg. Addr. (Hex) | Description | Bits | Data | | | | | | | | Comments |
|------------------|-----------------------|------|------|----|----|----|----|----|----|----|--|
| | | | d7 | d6 | d5 | d4 | d3 | d2 | d1 | d0 | |
| 02 | CVBS Output Amplitude | 5 | X | X | X | 0 | 0 | 0 | 0 | 0 | V _{Typ.} - 1.6 dB. V _{Typ.} = 1.6 V (black / white). V _{Typ.} + 1.5 dB. |
| | | | X | X | X | 1 | 0 | 0 | 0 | 0 | |
| | | | X | X | X | 1 | 1 | 1 | 1 | 1 | |
| | Not to be used | 1 | X | X | 0 | X | X | X | X | | |
| | Overmodulation Reset | 1 | X | 0 | X | X | X | X | X | X | 0 = Normal Operating Mode 1 = Overmodulation Reset |
| | CVBS Output | 1 | 0 | X | X | X | X | X | X | X | 0 = 2 V _{PP} , no external sound trap. 1 = 2.3 V _{PP} , external sound trap. |

STV223XD/224XC - I²C BUS SELECTION

TUNER DELAY

| Reg. Addr. (Hex) | Description | Bits | Data | | | | | | | | Comments |
|------------------|-------------------------------------|------|------|----|----|----|----|----|----|----|---|
| | | | d7 | d6 | d5 | d4 | d3 | d2 | d1 | d0 | |
| 03 | Tuner AGC Starting Point Adjustment | 6 | X | X | 0 | 0 | 0 | 0 | 0 | 0 | Min. Start point 2 mV _{RMS} at PIF input. Typ. Start point 12 mV _{RMS} at PIF input. Max. Start point 80 mV _{RMS} at PIF input |
| | Tuner AGC Gain | 2 | 0 | 0 | X | X | X | X | X | X | 50 µA/dB. 95 µA/dB. 170 µA/dB. 270 µA/dB. |

SIF FEATURES AND AUDIO SWITCHES

| Reg. Addr (Hex) | Description | Bits | Data | | | | | | | | Comments |
|-----------------|---|------|------|----|----|----|----|----|----|----|--|
| | | | d7 | d6 | d5 | d4 | d3 | d2 | d1 | d0 | |
| 04 | Main Audio Output | 2 | X | X | X | X | X | X | 0 | 0 | FM/AM audio selected. External audio selected. MUTE selected. |
| | FM De-emphasis Switch and FM deviation range control | 2 | X | X | X | X | 0 | 0 | X | X | Automatic control, according to sound standard. Deemphasis at 75 µs and FM deviation at ±25 kHz. Deemphasis at 50 µs and FM deviation at ±50 kHz. Deemphasis filter bypassed. |
| | FM demodulator defeat | 1 | X | X | X | 0 | X | X | X | X | 0 = FM demodulator active. 1 = FM demodulator defeat, FM out muted. |
| | AM/FM output selection | 1 | X | X | 0 | X | X | X | X | X | 0 = FM output selected. 1 = AM output selected. |
| | QSS and AM demodulator defeat | 1 | X | 0 | X | X | X | X | X | X | 0 = QSS and AM demod active, 1 = QSS and AM demod not active (OFF) |
| | Inter-carrier filter ON/OFF | 1 | 0 | X | X | X | X | X | X | X | 0 = Inter-carrier filter ON 1 = Inter-carrier filter OFF |
| 05 | Volume Control Attenuation, Linear curve (dB) | 1 | 0 | 0 | 0 | 0 | 0 | 0 | 0 | 0 | Attenuation = 0 dB. Attenuation = 78 dB. 7-bit resolution. |
| | Volume Control Attenuation, Non-linear curve (d0 = 0, d7 = 1) | 1 | 1 | 0 | 0 | 0 | 0 | 0 | 0 | 0 | Attenuation = 0 dB. Attenuation = 78 dB. 6-bit resolution. |
| 06 | PIF VCO compensation | 1 | X | X | X | X | X | X | X | 0 | 0 = Optimized for PIF from 33.9 to 38.9 MHz 1 = Optimized for PIF 45.75 & 58.75 MHz |
| | Sound standard selection | 2 | X | X | X | X | X | 0 | 0 | X | 6.5 MHz sound selected. 6.0 MHz sound selected. 5.5 MHz sound selected. 4.5 MHz sound selected. |
| | AGC SIF time constant (AM) | 1 | X | X | X | X | 0 | X | X | X | 0 = auto time constant. 1 = fast time constant forced. |
| | SAW filter switch output | 1 | X | X | X | 0 | X | X | X | X | 0 = output low (0.4 V Max.). 1 = output high (4 V Min.). |
| | CVBS output (from PIF circuit) | 1 | X | X | 0 | X | X | X | X | X | 0 = CVBS output enable. 1 = CVBS output muted. |
| | QSS/Inter-carrier Application | 1 | X | 0 | X | X | X | X | X | X | 0 = QSS application, intercarrier filter OFF 1 = Inter-carrier application. |
| | Not to be used | 1 | 0 | X | X | X | X | X | X | X | |

STV223XD/224XC - I²C BUS SELECTION

VIDEO CONTROLS

| Reg. Addr (Hex) | Description | Bits | Data | | | | | | | | Comments |
|-----------------|--|------|------|----|----|----|----|----|----|----|--|
| | | | d7 | d6 | d5 | d4 | d3 | d2 | d1 | d0 | |
| 07 | Contrast control | 6 | X | X | 0 | 0 | 0 | 0 | 0 | 0 | -24 dB gain (Min. contrast). 0 dB gain (Max. contrast). |
| | Cut-off pulse insertion | 1 | X | 0 | X | X | X | X | X | X | 0 = After internal frame blanking. 1 = After Vertical oversize blanking (a08d7 = 1). |
| | Blue screen feature | 1 | 0 | X | X | X | X | X | X | X | 0 = Blue screen OFF. 1 = Blue screen ON. |
| 08 | Saturation control | 6 | X | X | 0 | 0 | 0 | 0 | 0 | 0 | -40 dB gain (Min. saturation). +9 dB gain (Max. saturation). |
| | Half contrast enable | 1 | X | 0 | X | X | X | X | X | X | 0 = Disabled. 1 = Enabled. |
| | Oversize blanking enable | 1 | 0 | X | X | X | X | X | X | X | 0 = Disabled. 1 = Enabled. |
| 09 | Brightness control | 6 | X | X | 0 | 0 | 0 | 0 | 0 | 0 | -30% of B/W at Max. contrast. +30% of B/W at Max. contrast. |
| | RGB blanking | 1 | X | 0 | X | X | X | X | X | X | 0 = Not active (normal operation). 1 = Active. |
| | Cut-off blanking | 1 | 0 | X | X | X | X | X | X | X | 0 = Enable: RGB output blanked when I _{CATH} voltage is far from internal cut-off reference (cut-off loop not locked), during IC start-up. 1 = Disable: RGB output not blanked by cut-off loop. |
| 0A | Red drive adjustment (white point R) | 6 | X | X | 0 | 0 | 0 | 0 | 0 | 0 | -6 dB gain (Min. drive). 0 dB gain (Max. drive). |
| | RGBext/YCrCb Selection | 2 | 0 | 0 | X | X | X | X | X | X | RGB ext. insertion enable, controlled by FBext input pin. 0 1 X X X X X X 1 0 X X X X X X 1 1 X X X X X X RGB ext. insertion disable, FBext control disable. RGB ext. insertion forced (FBext not active). YCrCb insertion forced. |
| 0B | Green drive adjustment (white point G) | 6 | X | X | 0 | 0 | 0 | 0 | 0 | 0 | -6 dB gain (Min. drive). 0 dB gain (Max. drive). |
| | Black stretch enable | 1 | X | 0 | X | X | X | X | X | X | 0 = Black stretch disable. 1 = Black stretch enable. |
| | Black Stretch Reference Level | 1 | 0 | X | X | X | X | X | X | X | 0 = 0 IRE (no set-up). 1 = 7.5 IRE (NTSC set-up). |
| 0C | Blue drive adjustment (white point B) | 6 | X | X | 0 | 0 | 0 | 0 | 0 | 0 | -6 dB gain (Min. drive). 0 dB gain (Max. drive). |
| | Cut-off loop control | 1 | X | 0 | X | X | X | X | X | X | 0 = Cut-off loop active. 1 = Cut-off loop frozen. |
| | LSB (9th bit) Red cut-off counter | 1 | 0 | X | X | X | X | X | X | X | Red LSB = 0 Red LSB = 1 |

STV223XD/224XC - I²C BUS SELECTION

| Reg. Addr. (Hex) | Description | Bits | Data | | | | | | | | Comments |
|------------------|--|------|------|----|----|----|----|----|----|----|---|
| | | | d7 | d6 | d5 | d4 | d3 | d2 | d1 | d0 | |
| 0D | Red cut-off adjustment (Black point R) | 6 | X | X | 0 | 0 | 0 | 0 | 0 | 0 | -150 mV. +150 mV. |
| | Manual Cut-off Selection | 2 | 0 | 0 | X | X | X | X | X | X | Automatic Cut-off application, data = 00hex in registers 1A, 1B, 1C. |
| | | | 1 | 1 | X | X | X | X | X | X | Manual cut-off application DC at R,G,B output are adjusted thanks registers 1A, 1B, 1C. |
| | | | 0 | 1 | X | X | X | X | X | X | Not allowed. Not allowed. |
| 0E | Green cut-off adjustment (Black point G) | 6 | X | X | 0 | 0 | 0 | 0 | 0 | 0 | -150 mV. +150 mV. |
| | Not to be used | 1 | X | 0 | X | X | X | X | X | X | |
| | LSB (9th bit) Green cut-off counter | 1 | 0 | X | X | X | X | X | X | X | Green LSB = 0 Green LSB = 1 |
| 0F | Peaking control | 4 | X | X | X | X | 0 | 0 | 0 | 0 | 0 dB at center Freq. Min. peaking. + 6dB at center Freq. Max. peaking. |
| | Coring on sharpness | 1 | X | X | X | 0 | X | X | X | X | 0 = Coring off. 1 = Coring on. |
| | Chroma trap selection | 1 | X | X | 0 | X | X | X | X | X | 0 = Trap on (CVBS mode & color identified). 1 = Trap off. |
| | CVBS2 ON/OFF | 1 | X | 0 | X | X | X | X | X | X | 0 = CVBS2 output active. 1 = CVBS2 output not active. |
| | White insertion | 1 | 0 | X | X | X | X | X | X | X | 0 = White insertion not active. 1 = White insertion enable during HOUT soft mode. |
| 10 | APR enable | 1 | X | X | X | X | X | X | 0 | 0 | 0 = APR disable. 1 = APR enable. |
| | APR threshold | 5 | X | X | X | 0 | 0 | 0 | 0 | X | 50 IRE. 100 IRE. |
| | RGB OSD contrast selection | 1 | X | X | 0 | X | X | X | X | X | 0 = Contrast control disable. 1 = Contrast control enable. |
| | CRT/LCD Display | 1 | X | 0 | X | X | X | X | X | X | 0 = RGB output blanking active, CRT Display 1 = RGB output blanking replaced by black level, LCD Display |
| | Not to be used | 2 | 0 | X | X | X | X | X | X | x | |

CHROMA CONTROLS

| Reg. Addr. (Hex) | Description | Bits | Data | | | | | | | | Comments |
|----------------------|----------------------------|------|------|----|----|----|----|----|----|---|--|
| | | | d7 | d6 | d5 | d4 | d3 | d2 | d1 | d0 | |
| 11 | Bell filter adjust | 5 | X | X | X | 0 | 0 | 0 | 0 | 0 | 0 kHz. +100 kHz. |
| | PAL/NTSC demodulation gain | 1 | X | X | 0 | X | X | X | X | X | 0 = 0 dB gain (nominal). 1 = +6 dB gain. |
| | | | X | X | 1 | X | X | X | X | X | |
| | NTSC matrix | 1 | X | 0 | X | X | X | X | X | X | 0 = 90° matrix selection. 1 = 104° matrix selection (in NTSC only). |
| ACC overload disable | 1 | 0 | X | X | X | X | X | X | X | 0 = ACC overload active. 1 = ACC overload disable. | |

STV223XD/224XC - I²C BUS SELECTION

| Reg. Addr. (Hex) | Description | Bits | Data | | | | | | | | Comments | |
|--|-------------------------------------|------|------|----|----|----|----|----|----|---|---|--------------------------|
| | | | d7 | d6 | d5 | d4 | d3 | d2 | d1 | d0 | | |
| 12 | Bandpass adjust | 4 | X | X | X | X | 0 | 0 | 0 | 0 | f = fosc. f = 1.1*fosc. | |
| | Chroma reference output | 1 | X | X | X | 0 | X | X | X | X | 0 = Chroma reference output OFF. 1 = Chroma reference output ON. | |
| | Chroma DL selection | 1 | X | X | 0 | X | X | X | X | X | 0 = ON. 1 = OFF. | |
| | Not to be used | 2 | 0 | 0 | X | X | X | X | X | X | | |
| 13 | Crystal selection | 2 | X | X | X | X | X | 0 | 0 | X | XTAL1 (4.43/3.5XX MHz). XTAL2 (3.5XX MHz). XTAL3 (3.5XX MHz). Not allowed. | |
| | Standard selection | 2 | X | X | X | 0 | 0 | X | X | X | X | PAL. |
| | | | X | X | X | 0 | 1 | X | X | X | X | NTSC. |
| | | | X | X | X | 1 | 0 | 0 | 0 | 0 | 0 | SECAM (only with XTAL1). |
| | | | X | X | X | 1 | 0 | 0 | 1 | X | X | Not allowed. |
| X | | | X | X | 1 | 0 | 1 | 0 | X | X | Not allowed. | |
| Crystal inhibition | 2 | X | X | 1 | X | X | X | X | X | X | AUTO mode. | |
| | | X | X | X | X | X | 1 | 1 | X | X | Not allowed | |
| | | X | X | 0 | X | X | X | X | 0 | 0 | Two-crystal, P/S/N application. Three-crystal, P/N application. One-crystal, 4.43 MHz application. Two-crystal, P/N application. | |
| Not to be used | 2 | 0 | 0 | X | X | X | X | X | X | | | |
| 14 | Hue control (in NTSC only) | 6 | X | X | 0 | 0 | 0 | 0 | 0 | 0 | -45°. +45°. | |
| | Flesh enable | 1 | X | 0 | X | X | X | X | X | X | 0 = Flesh disable (OFF). 1 = Flesh enable (ON). | |
| | Wide flesh characteristic selection | 1 | 0 | X | X | X | X | X | X | X | 0 = Normal characteristic. 1 = Wide characteristic. | |
| 15 | Main Video switch | 2 | X | X | X | X | X | X | 0 | 0 | CVBS1 selected. | |
| | | | X | X | X | X | X | X | 0 | 1 | CVBS2 selected. | |
| | | | X | X | X | X | X | X | 1 | X | Y/CVBS3 selected. | |
| | Second Video switch control | 2 | X | X | X | X | 0 | 0 | X | X | CVBS1 selected. | |
| | | | X | X | X | X | 0 | 1 | X | X | CVBS2 selected. | |
| SVHS switch Chroma decoder input selection | 1 | X | X | X | 0 | X | X | X | X | 0 = Main CVBS selected. 1 = CHR input selected (SVHS). | | |
| Not to be used | 3 | X | 0 | 0 | X | X | X | X | X | | | |
| Safety Reset | 1 | 0 | X | X | X | X | X | X | X | 0 = Safety active 1 = Reset Safety, Safety non-active | | |

STV223XD/224XC - I²C BUS SELECTION

SCANNING CONTROLS

| Reg. Addr. (Hex) | Description | Bits | Data | | | | | | | | Comments |
|----------------------------|---------------------------------|------|------|----|----|----|----|----|----|---|--|
| | | | d7 | d6 | d5 | d4 | d3 | d2 | d1 | d0 | |
| 16 | Horizontal shift | 6 | X | X | 0 | 0 | 0 | 0 | 0 | 0 | -2.5 μ s. +2.5 μ s. |
| | Horizontal output pulse disable | 1 | X | 0 | X | X | X | X | X | X | 0 = Normal mode. 1 = HOUT disable (high level). |
| | Interlace | 1 | 0 | X | X | X | X | X | X | X | 0 = Interlace mode. 1 = De-interlace mode. |
| 17 | Vertical amplitude | 6 | X | X | 0 | 0 | 0 | 0 | 0 | 0 | 1.5 V on V _{AMP} Pin. 6.0 V on V _{AMP} Pin. |
| | 50/60Hz selection | 2 | 0 | 0 | X | X | X | X | X | X | Auto (50 Hz when no ident.). |
| | | | 0 | 1 | X | X | X | X | X | X | 60 Hz. |
| 1 | | | 0 | X | X | X | X | X | X | 50 Hz. | |
| | | | 1 | 1 | X | X | X | X | X | Auto (60 Hz when no ident.). | |
| 18 | Vertical position | 4 | X | X | X | X | 0 | 0 | 0 | 0 | 4 V high level on VOUT Pin. 6 V high level on VOUT Pin. |
| | PLL1 time constant | 2 | X | X | 0 | 0 | X | X | X | X | Auto time constant selection. |
| | | | X | X | 0 | 1 | X | X | X | X | Short time constant. |
| | | | X | X | 1 | 0 | X | X | X | X | Long time constant. |
| | | | X | X | 1 | 1 | X | X | X | X | Very long time constant. |
| Horizontal synchronization | 1 | X | 0 | X | X | X | X | X | X | 0 = PLL1 active. 1 = PLL1 not active (horiz. free running mode). | |
| Vertical synchronization | 1 | 0 | X | X | X | X | X | X | X | 0 = Vertical synchronization active. 1 = Vertical free running mode. | |
| 19 | 4/3 16/9 selection | 1 | X | X | X | X | X | X | 0 | 0 = 0.1 V low level on VOUT Pin. 1 = 2 V low level on VOUT Pin. | |
| | Frame blanking | 1 | X | X | X | X | X | 0 | X | 0 = Adapted to standard. | |
| | | | X | X | X | X | X | 1 | X | 1 = Long blanking (50 Hz blanking) both in 50 Hz and 60 Hz modes | |
| | Noise detector threshold | 2 | X | X | X | X | 0 | 0 | X | X | Low threshold. High threshold. |
| Not to be used | 4 | 0 | 0 | 0 | 0 | X | X | X | X | | |

MISCELLANEOUS

| Reg. Addr. (Hex) | Description | Bits | Data | | | | | | | | Comments |
|------------------|---|------|------|----|----|----|----|----|----|----|--|
| | | | d7 | d6 | d5 | d4 | d3 | d2 | d1 | d0 | |
| 1A | Manual Cut-off Register Red | 8 | 0 | 0 | 0 | 0 | 0 | 0 | 0 | 0 | Low DC at RGB output. High DC at RGB output. |
| 1B | Manual Cut-off Register Green | 8 | 0 | 0 | 0 | 0 | 0 | 0 | 0 | 0 | Low DC at RGB output. High DC at RGB output. |
| 1C | Manual Cut-off Register Blue | 8 | 0 | 0 | 0 | 0 | 0 | 0 | 0 | 0 | Low DC at RGB output. High DC at RGB output. |
| 1D | CVBS1 Out selection at pin 29 SDIP56 | 8 | 0 | 0 | 0 | 0 | 0 | 1 | 1 | 1 | CVBS1 Out selected at pin 29 SDIP56. TQFP64 packages must be set to 0h. |
| 1E | Not To Be Used | 7 | 0 | 0 | 0 | X | 0 | 0 | 0 | 0 | |
| | SIF AGC time constant (positive modulation) | 1 | 0 | 0 | 0 | 0 | 0 | 0 | 0 | 0 | Automatic SIFAGC Time constant control. Forced Long time constant. |

STV223XD/224XC - I²C BUS SELECTION

| Reg. Addr. (Hex) | Description | Bits | Data | | | | | | | | Comments |
|------------------|----------------------------|------|------|----|----|----|----|----|----|----|---|
| | | | d7 | d6 | d5 | d4 | d3 | d2 | d1 | d0 | |
| 1F | VOUT Inhibition | 1 | X | X | X | X | X | 0 | X | 0 | VOUT normal operating. VOUT inhibition (forced to high DC level controlled by vertical position register). |
| | Sound Level Status Refresh | 1 | X | X | X | X | X | 0 | 0 | X | 0 = Sound level status continuously refreshed 1 = Sound level status refreshed only at the end of vertical synchronization pulse |
| | Not to be used | 1 | X | X | X | X | X | 0 | X | X | |
| | Luma Delay Shift | 1 | X | X | X | X | 0 | 0 | X | X | Standard luma delay. 140 ns on luma delay. |
| | AVL Time Constant | 1 | X | X | X | 0 | X | 0 | X | X | 0 = Slow Timer Constant 1 = Fast Time Constant |
| | AVL On/Off | 1 | X | X | 0 | X | X | 0 | X | X | 0 = AVL Off 1 = AVL On |
| | AM/FMOUT pin selection | 2 | 0 | 0 | X | X | X | 0 | X | X | Output of AM/FM demodulator. Sound subcarriers selected. Audio output muted. Main audio switch output, either internal or external audio depending on main audio switch selection. reg04hex; d0 = 0: internal audio. reg04hex; d0 = 1: external audio. |

6.4 OUTPUT SIGNALS (READ MODE)

OUTPUT SIGNALS (READ MODE)

| Reg. Addr. (Hex) | Description | Bits | Data | | | | | | | | Comments | |
|------------------|-----------------------------------|------|------|----|----|----|----|----|----|----|--|-------------------------------|
| | | | d7 | d6 | d5 | d4 | d3 | d2 | d1 | d0 | | |
| 00 | Power-on reset | 1 | X | X | X | X | X | X | X | 0 | Normal mode. Power down mode. | |
| | Field frequency | 1 | X | X | X | X | X | X | 0 | X | 50 Hz. 60 Hz. | |
| | Field lock status | 1 | X | X | X | X | X | 0 | X | X | Not locked. Locked. | |
| | Video identification | 1 | X | X | X | X | 0 | X | X | X | No identification. Video identification. | |
| | Standard status crystal selection | 2 | X | X | 0 | 0 | X | X | X | X | XTAL1 (4.43 MHz). XTAL2 (3.5X MHz). XTAL3 (3.5X MHz). XTAL1 (3.5X MHz). | |
| | Standard selection | | 2 | 0 | 0 | X | X | X | X | X | X | PAL. |
| | | | | 0 | 1 | X | X | X | X | X | X | NTSC. SECAM. COLOR OFF. |

STV223XD/224XC - I²C BUS SELECTION

| Reg. Addr. (Hex) | Description | Bits | Data | | | | | | | | Comments |
|------------------|--|------|------|----|----|----|----|----|----|----|--|
| | | | d7 | d6 | d5 | d4 | d3 | d2 | d1 | d0 | |
| 01 | SVHS status | 1 | X | X | X | X | X | X | X | 0 | No SVHS (CVBS mode). SVHS mode. |
| | Noise detection | 1 | X | X | X | X | X | X | 0 | X | High S/N. Low S/N. |
| | Scanning Horizontal phase-locked loop status | 1 | X | X | X | X | X | 0 | X | X | Not locked. Locked. |
| | Safety status | 1 | X | X | X | X | 0 | X | X | X | Safety not active. Safety active. |
| | Fast Blanking detection on external fast blanking pin (during frame retrace) | 1 | X | X | X | 0 | X | X | X | X | No insertion detected. Insertion on FBext. |
| | Fast blanking detection on OSD fast blanking pin (during frame retrace) | 1 | X | X | 0 | X | X | X | X | X | No insertion detected. Insertion on FBosd. |
| | Scanning VCO calibration | 1 | X | 0 | X | X | X | X | X | X | Not calibrated. Calibrated. |
| | FM demodulation VCO calibration | 1 | 0 | X | X | X | X | X | X | X | Not calibrated. Calibrated. |
| 02 | Digital AFC status | 3 | X | X | X | X | X | 0 | 1 | 1 | $F_{PLL} - F_0 < -300$ kHz. -300 kHz $< F_{PLL} - F_0 < -60$ kHz. -60 kHz $< F_{PLL} - F_0 < +60$ kHz. $+60$ kHz $< F_{PLL} - F_0 < +300$ kHz. $+300$ kHz $< F_{PLL} - F_0$. |
| | Sound carrier level | 3 | X | X | 0 | 0 | 0 | X | X | X | Level 1 (low sound carrier signal). Level 2. Level 3. Level 4. Level 5. Level 6. Level 7. Level 8 (high sound carrier signal) |
| | Blue cut-off register and cut-off loop status | 2 | 0 | 0 | X | X | X | X | X | X | Blue CO register < 011110000 Blue CO register > 100001111 $011110000 < \text{Blue Co register} < 100001111$ and lcauth not locked $011110000 < \text{Blue Co register} < 100001111$ and lcauth locked |
| | | | 1 | 1 | X | X | X | X | X | X | |
| | | | | | | | | | | | |
| | | | | | | | | | | | |
| 03 | IC identification | 1 | X | X | X | X | X | X | X | 0 | TQFP64 SDIP56 |
| | Tuner AGC Output Status | 1 | 0 | X | X | X | X | X | X | X | Tuner AGC Output not active Tuner AGC Output active |

STV223XD/224XC - I²C BUS SELECTION

6.5 POWER-ON RESET - INITIAL BUS REGISTER CONDITIONS

Power-On Reset is active when the power supply V_{CCD} is below 3 Volts.

All data from all registers must be written by microprocessor after power-on. Unused data must be set to 0. POR values are not tested during production.

| Reg. Addr. (Hex) | Initial Data Value | | | | | | | | Comments |
|------------------|--------------------|----|----|----|----|----|----|----|---|
| | d7 | d6 | d5 | d4 | d3 | d2 | d1 | d0 | |
| 00 | 1 | 0 | 0 | 0 | 0 | 0 | 0 | 0 | PIFVCO free running fine adjustment Typical. |
| 01 | 0 | 0 | 0 | 0 | 0 | 1 | 1 | 1 | PIFVCO coarse typ, BG = 38.9 MHz, Negative modulation, AFC active, no PIF over-modulation regulation. |
| 02 | 0 | 0 | 0 | 1 | 0 | 0 | 0 | 0 | CVBS amplitude Typical, $2V_{PP}$. |
| 03 | 0 | 0 | 1 | 0 | 0 | 0 | 0 | 0 | Tuner AGC starting point Typical, Tuner AGC gain Min. |
| 04 | 0 | 0 | 0 | 0 | 0 | 0 | 0 | 0 | FM/AM out selected, FM de-emphasis and FM deviation auto-control, FM demod. active, FM out selected, QSS and AM demod. active. |
| 05 | 0 | 1 | 1 | 1 | 1 | 1 | 1 | 1 | Volume control attenuation at maximum, linear curve (dB). |
| 06 | 0 | 0 | 0 | 0 | 0 | 0 | 0 | 0 | PIF < 42 MHz, 6.5 MHz sound carrier selected, auto AGC SIF time constant, saw filter switch control at low level, CVBS out enabled, QSS mode. |
| 07 | 0 | 0 | 1 | 0 | 0 | 0 | 0 | 0 | Contrast at middle, cut-off pulse insertion after internal frame blanking, blue screen disabled. |
| 08 | 0 | 0 | 1 | 0 | 0 | 0 | 0 | 0 | Saturation at middle, half contrast disabled, oversize blanking disabled. |
| 09 | 0 | 0 | 1 | 0 | 0 | 0 | 0 | 0 | Brightness at middle, RGB Blanking not active. |
| 0A | 0 | 0 | 1 | 0 | 0 | 0 | 0 | 0 | Red drive at middle, RGBext insertion enabled (FBext Pin control). |
| 0B | 0 | 0 | 1 | 0 | 0 | 0 | 0 | 0 | Green drive at middle, black stretch disabled, black stretch ref 0IRE. |
| 0C | 0 | 0 | 1 | 0 | 0 | 0 | 0 | 0 | Blue drive at middle, cut-off loop active. |
| 0D | 0 | 0 | 1 | 0 | 0 | 0 | 0 | 0 | Red cut-off at middle, automatic cut-off loop. |
| 0E | 0 | 0 | 1 | 0 | 0 | 0 | 0 | 0 | Green cut-off at middle. |
| 0F | 0 | 0 | 0 | 0 | 1 | 0 | 0 | 0 | Peaking on luma at middle, coring off, trap ON(CVBS & color identified), CVBS2 ON, white insertion not active. |
| 10 | 0 | 0 | 0 | 1 | 0 | 0 | 0 | 0 | APR disabled, APR threshold at middle, RGB OSD contrast disabled. |
| 11 | 0 | 0 | 0 | 0 | 0 | 0 | 0 | 0 | No shift of bell filter center frequency, 0dB P/N demod. gain, 90° matrix selection, ACC overload ON. |
| 12 | 0 | 0 | 0 | 0 | 0 | 0 | 0 | 0 | No shift of bandpass center frequency, chroma reference output off, chroma delay line on. |
| 13 | 0 | 0 | 0 | 0 | 0 | 0 | 0 | 0 | Two crystals application P/S/N, PAL XTAL1 forced mode, two crystal applications. |
| 14 | 0 | 0 | 1 | 0 | 0 | 0 | 0 | 0 | Hue at middle, flesh disabled, normal flesh characteristic. |
| 15 | 0 | 0 | 0 | 0 | 0 | 0 | 0 | 0 | CVBS1 selected on main CVBS output, CVBS1 selected on second CVBS output, CVBS mode. |
| 16 | 0 | 0 | 1 | 0 | 0 | 0 | 0 | 0 | Horizontal shift at middle, horizontal output enabled, interlace mode. |
| 17 | 0 | 0 | 1 | 0 | 0 | 0 | 0 | 0 | Vertical amplitude at middle, auto 50/60 Hz identification. |
| 18 | 0 | 0 | 0 | 0 | 1 | 0 | 0 | 0 | Vertical position at middle, automatic time constant selection on PLL1, PLL1 active, Vertical synchronization active. |
| 19 | 0 | 0 | 0 | 0 | 0 | 0 | 0 | 0 | 0.1 V low level at pin VOUT, frame blanking adapted to standard, noise detector low threshold. |
| 1A | 0 | 0 | 0 | 0 | 0 | 0 | 0 | 0 | Not active, auto cut-off. |
| 1B | 0 | 0 | 0 | 0 | 0 | 0 | 0 | 0 | Not active, auto cut-off. |
| 1C | 0 | 0 | 0 | 0 | 0 | 0 | 0 | 0 | Not active, auto cut-off. |
| 1D | 0 | 0 | 0 | 0 | 0 | 0 | 0 | 0 | R-Y output at pin 29 (SDIP56) or at pin 41 (TQFP64) |
| 1E | 0 | 0 | 0 | 0 | 0 | 0 | 0 | 0 | Not to be used, except d4: Auto. SIF AGC time constant control in L/L' standards. |
| 1F | 0 | 0 | 0 | 0 | 0 | 0 | 0 | 0 | VOUT pulse active, standard luma delay, AVL off, AM/FM mono sound selected. |

STV223XD/224XC - I²C BUS SPECIFICATION COMPATIBILITY

7 I²C BUS SPECIFICATION COMPATIBILITY

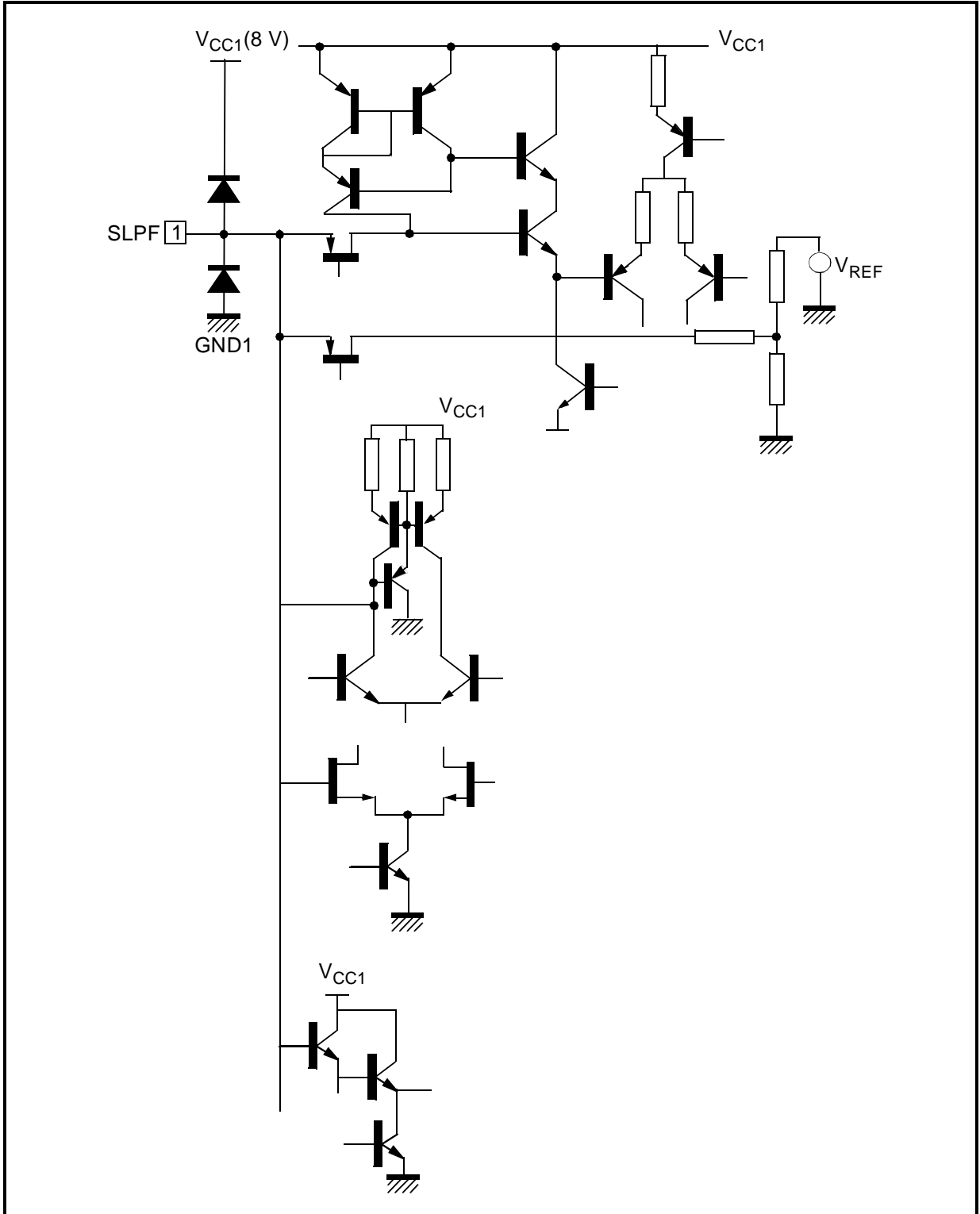
The STV2236D, 2237D, 2238D, 2239D/STV2246C, 2286C, 2247C, 2248C and 2249C I²C bus specification is compatible between IC version. However, some dedicated settings must be

used for the different versions. The following sections show the differences between the various versions. An “X” means that the function is available and can be set to “1” or “0”.

| | TQFP64 | | | | SDIP56 | | | | |
|--|--------|-------|-------|-------|--------|-------|-------|-------|-------|
| | 2238D | 2239D | 2237D | 2236D | 2248C | 2249C | 2247C | 2246C | 2286C |
| SAW Filter switch WR06d4 | X | X | X | X | 0 | 0 | 0 | 0 | 0 |
| CVBSout2 on/off WR0Fd6 | X | X | X | X | 0 | 0 | 0 | 0 | 0 |
| RGBext WR0A d7,d6 | X | X | X | X | X | X | X | X | 01 |
| L/L' mode WR01d5 | X | 0 | 0 | 0 | X | 0 | 0 | 0 | 0 |
| Positive/negative modulation WR01 d4 | X | 0 | 0 | 0 | X | 0 | 0 | 0 | 0 |
| FM/AM output selection WR04d5 | X | 0 | 0 | 0 | X | 0 | 0 | 0 | 0 |
| Bell Filter WR11 d4-d0 | X | X | 00000 | 00000 | X | X | 00000 | 00000 | 00000 |
| QSS/Intercarrier application WR06d6 | X | X | X | 1 | X | X | X | 1 | 1 |
| QSS and AM defeat WR04 d6 | X | X | X | 1 | X | X | X | 1 | 1 |
| AGC SIF time constant WR06 d3&WR1E d4 | X | X | X | 00 | X | X | X | X | 00 |
| CVBSout amplitude WR02 d4-d0 | X | X | X | 10000 | X | X | X | X | 10000 |

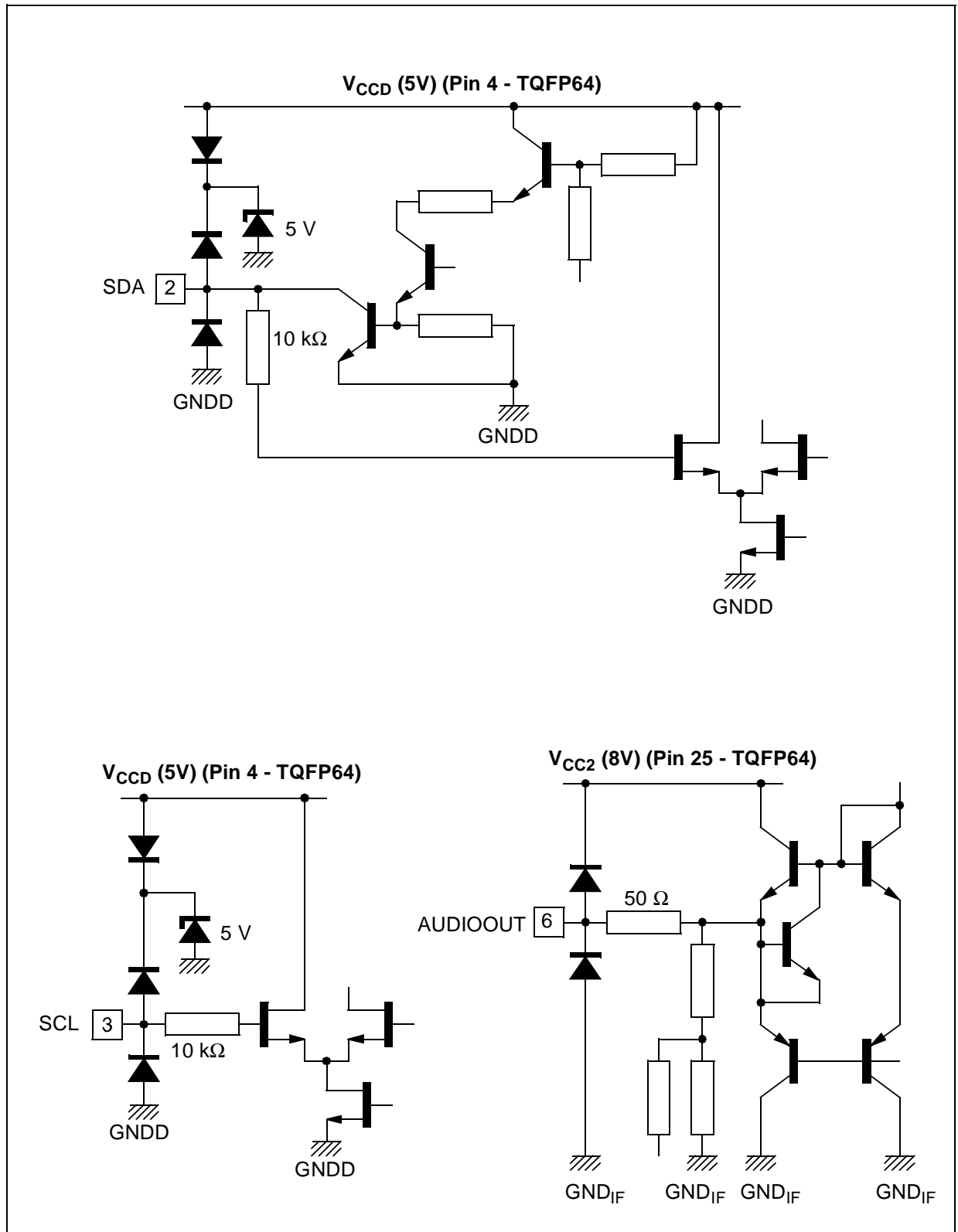
8 INPUT/OUTPUT SCHEMATIC DIAGRAMS

Figure 20. STV2238D (TQFP64)



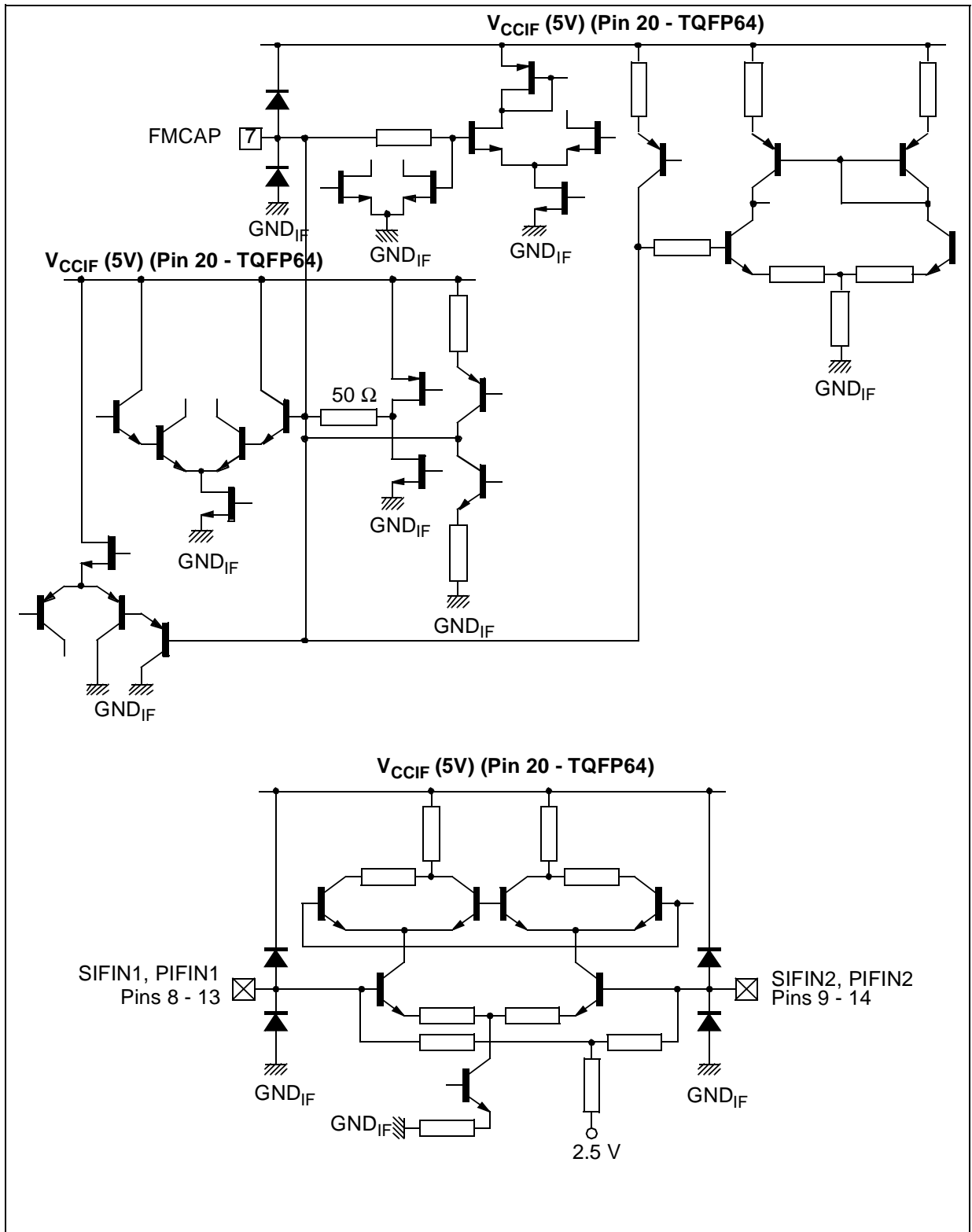
STV223XD/224XC - INPUT/OUTPUT SCHEMATIC DIAGRAMS

Figure 21. STV2238D (TQFP64)



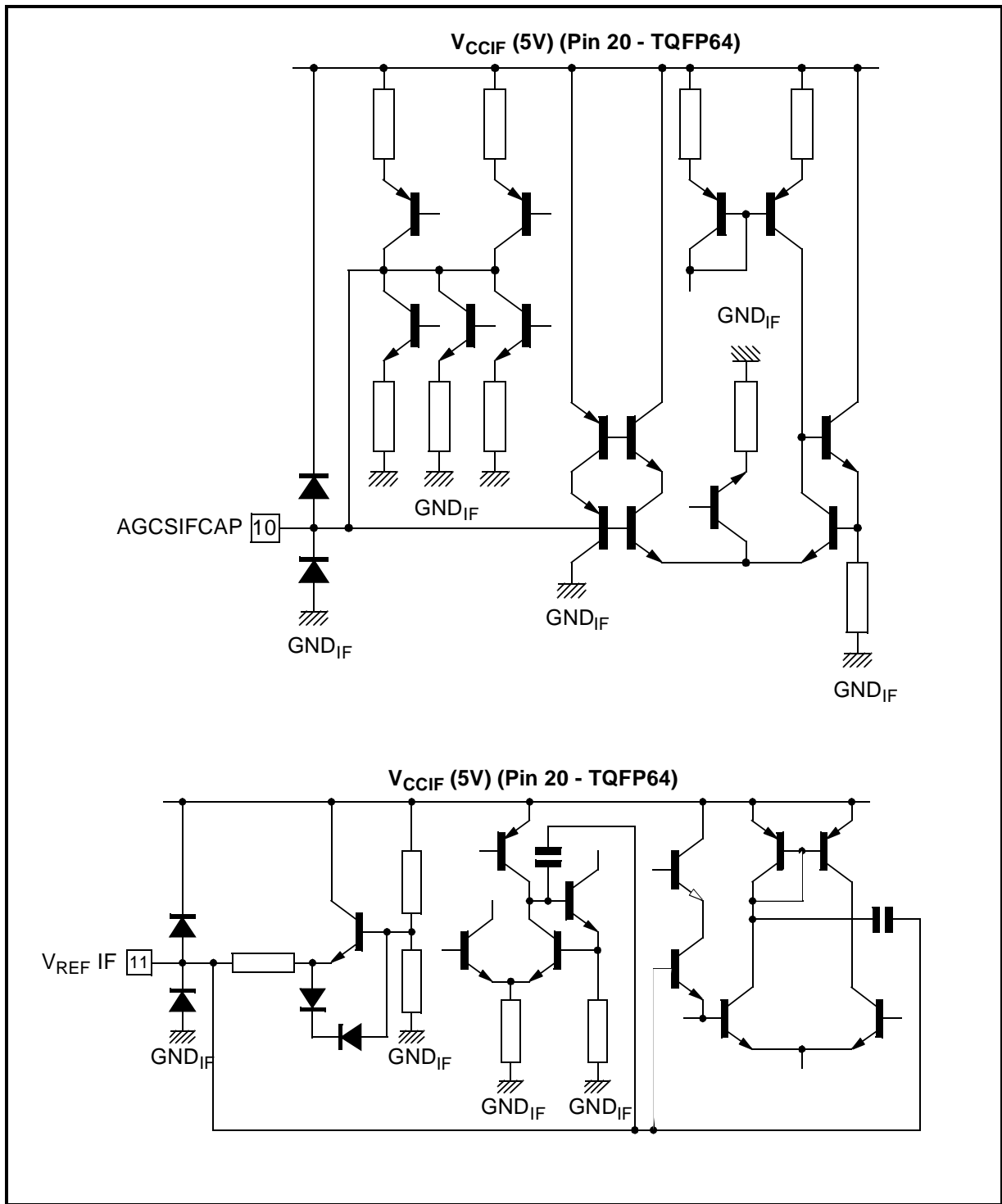
STV223XD/224XC - INPUT/OUTPUT SCHEMATIC DIAGRAMS

Figure 22. STV2238D (TQFP64) (continued)



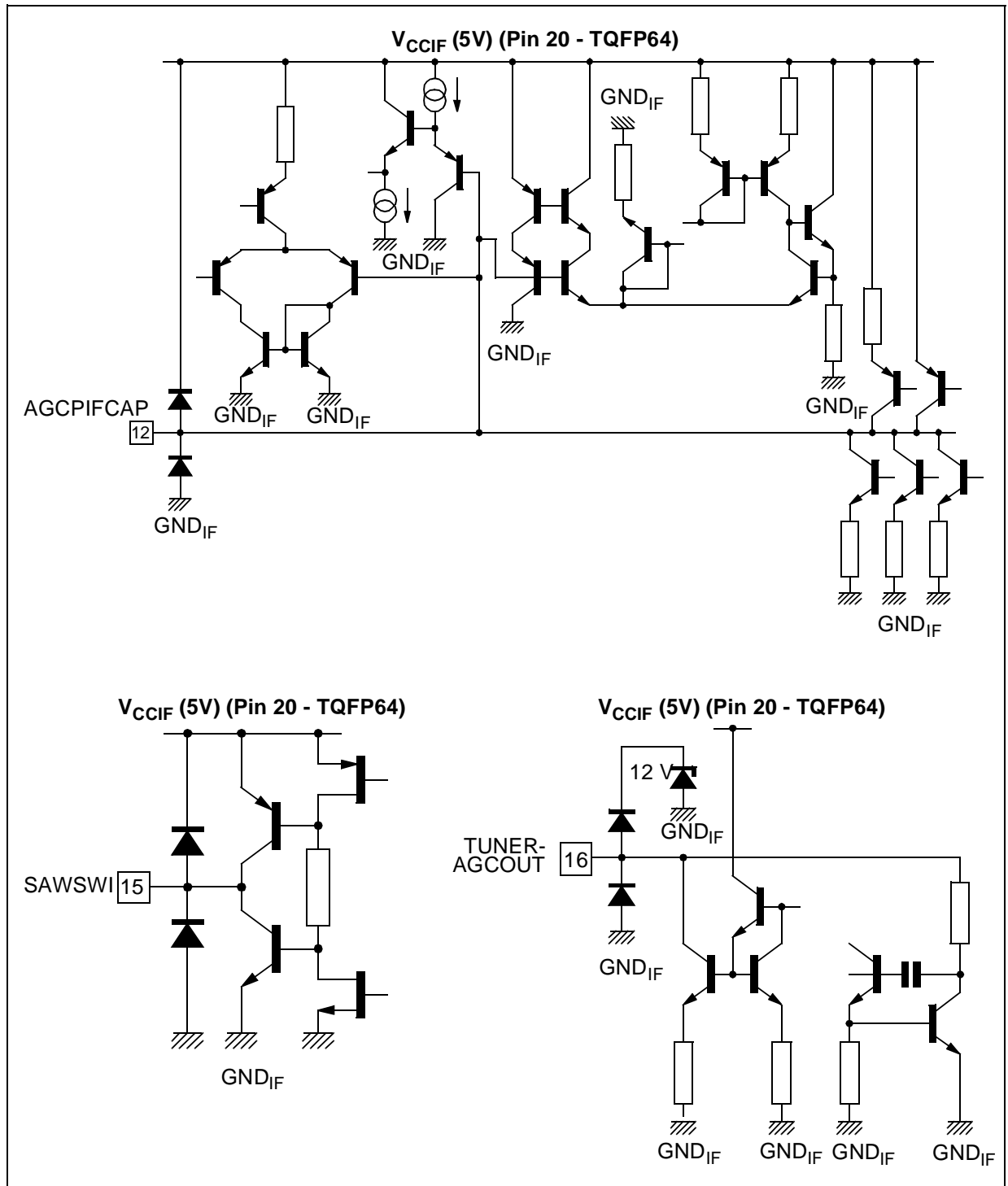
STV223XD/224XC - INPUT/OUTPUT SCHEMATIC DIAGRAMS

Figure 23. STV2238D (TQFP64) (continued)



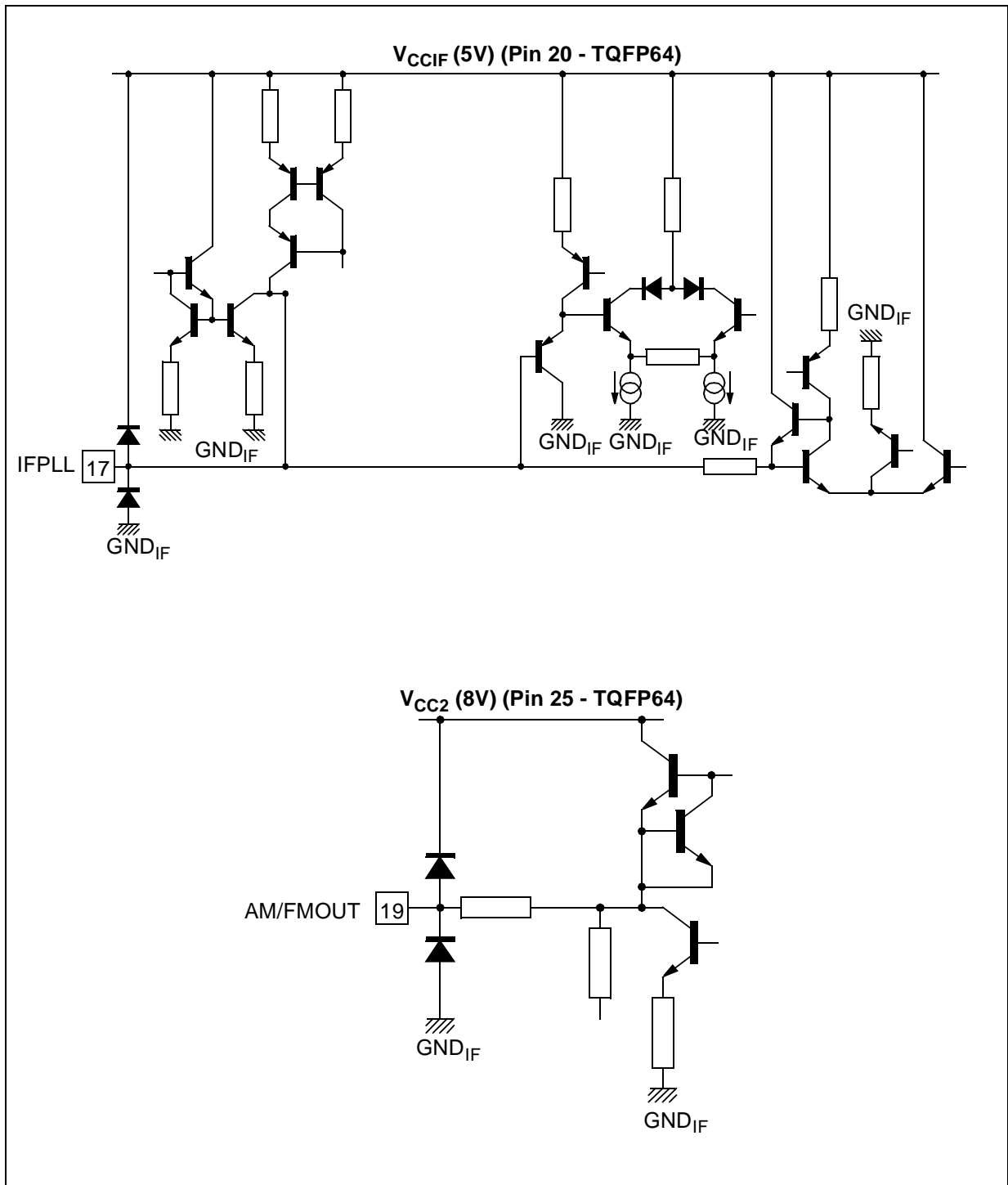
STV223XD/224XC - INPUT/OUTPUT SCHEMATIC DIAGRAMS

Figure 24. STV2238D (TQFP64) (continued)



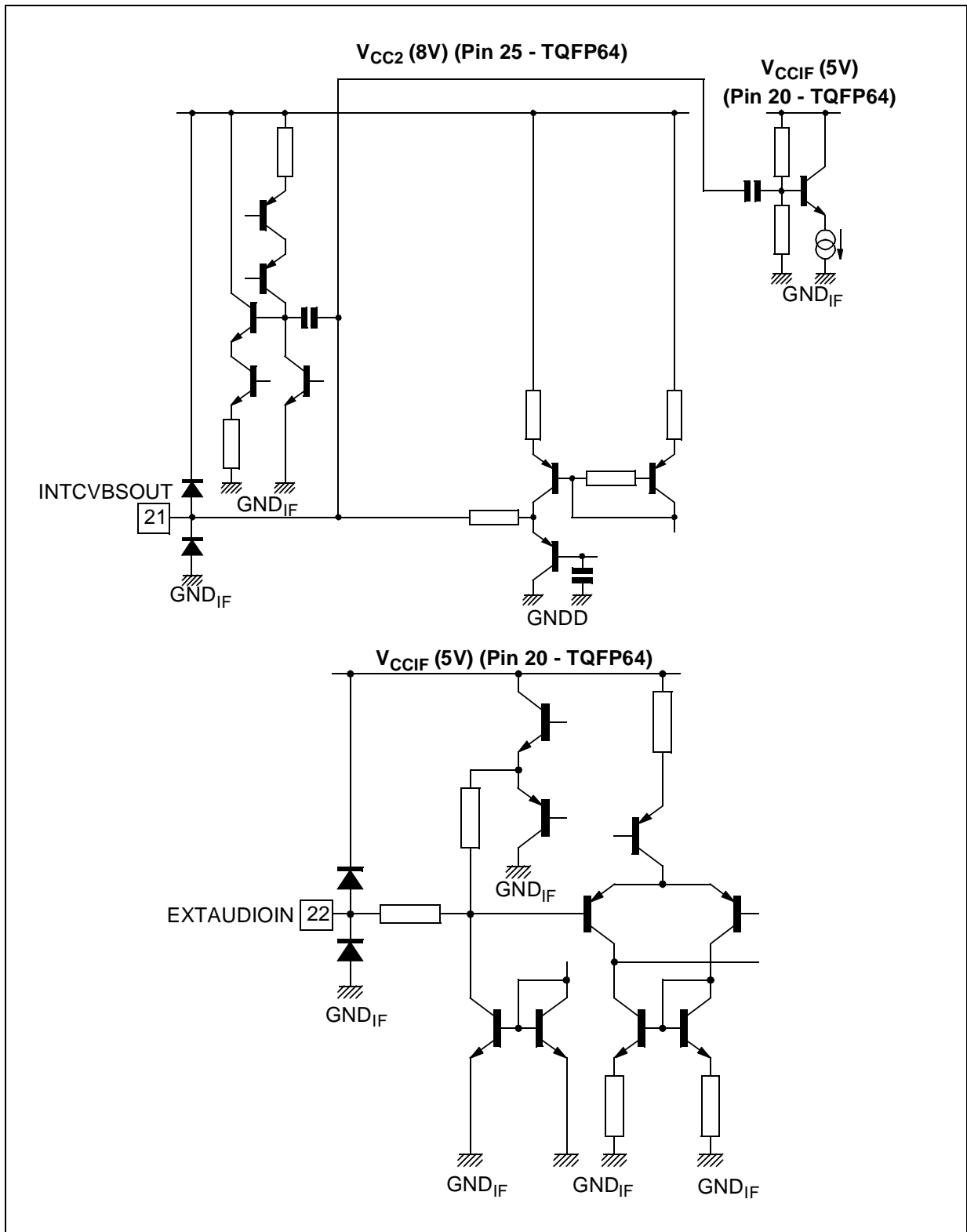
STV223XD/224XC - INPUT/OUTPUT SCHEMATIC DIAGRAMS

Figure 25. STV2238D (TQFP64) (continued)



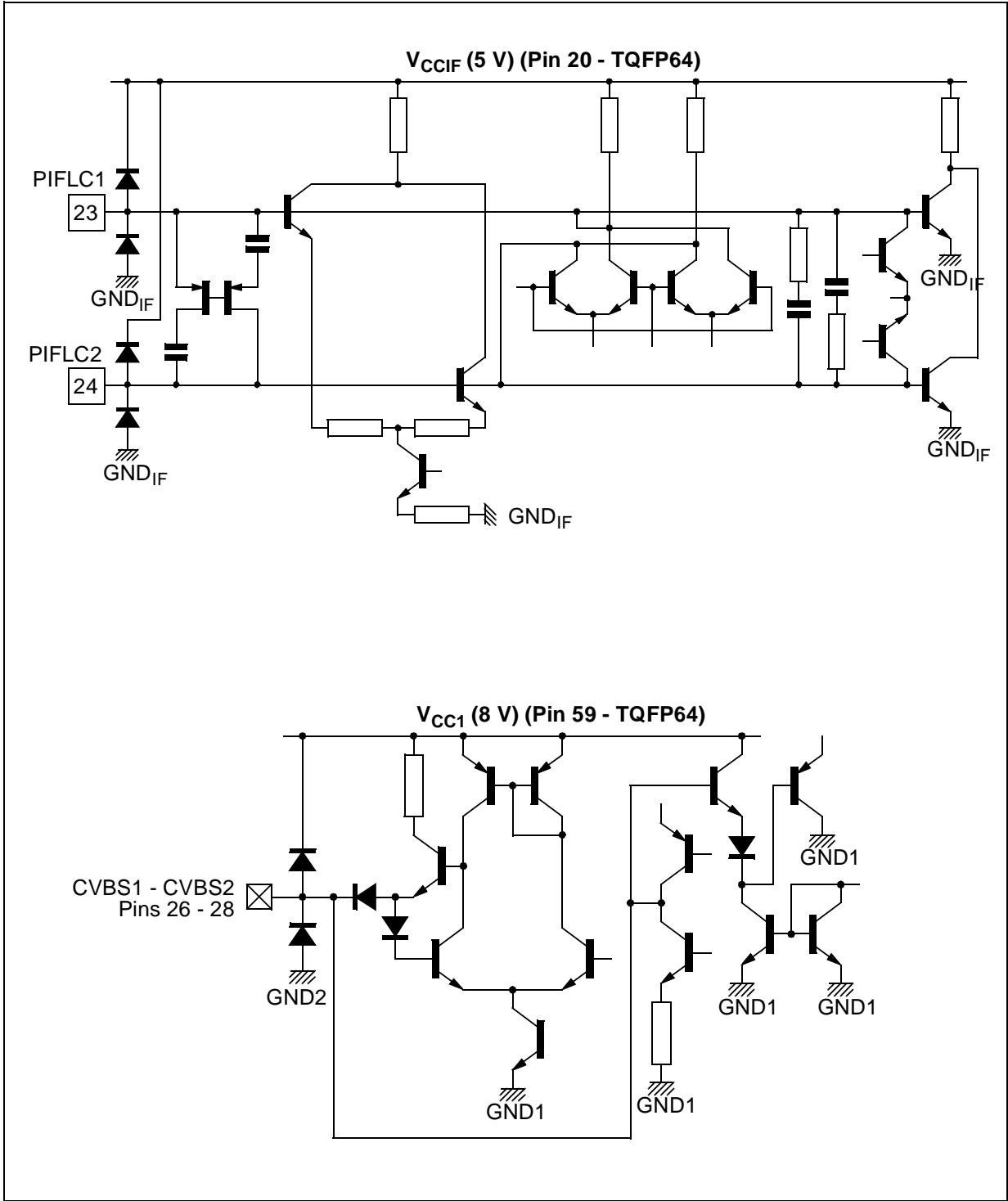
STV223XD/224XC - INPUT/OUTPUT SCHEMATIC DIAGRAMS

Figure 26. STV2238D (TQFP64) (continued)



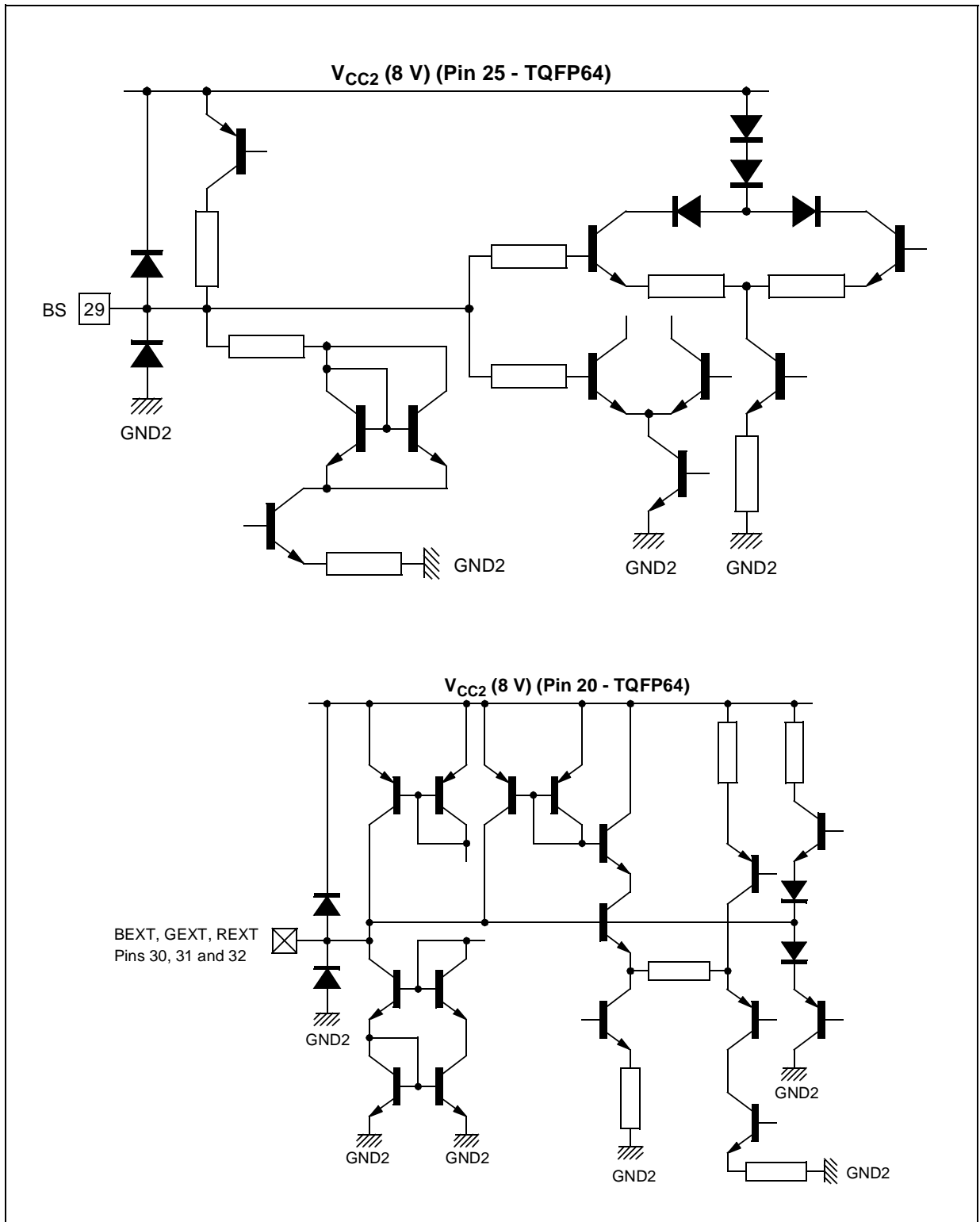
STV223XD/224XC - INPUT/OUTPUT SCHEMATIC DIAGRAMS

Figure 27. STV2238D (TQFP64) (continued)



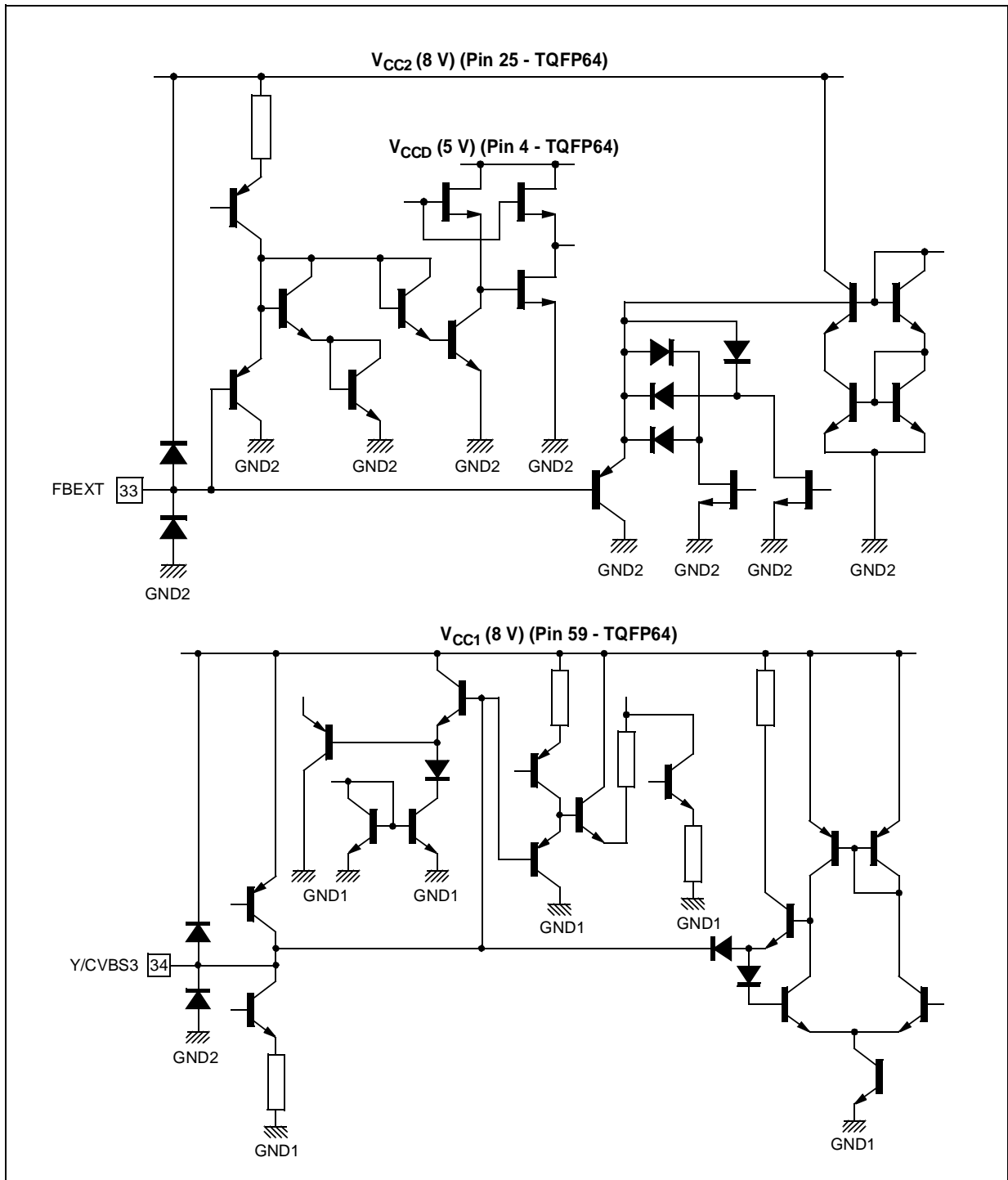
STV223XD/224XC - INPUT/OUTPUT SCHEMATIC DIAGRAMS

Figure 28. STV2238D (TQFP64) (continued)



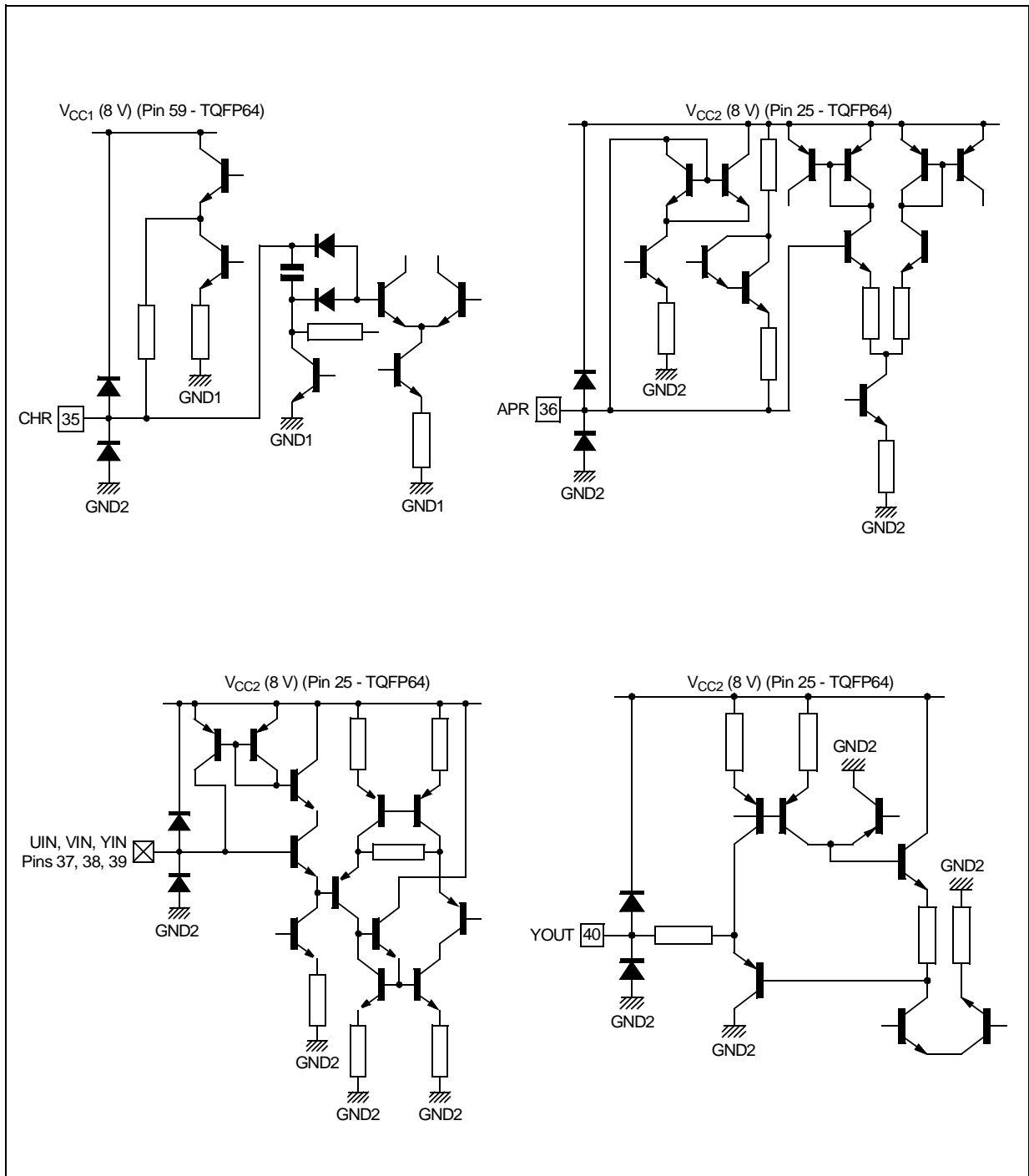
STV223XD/224XC - INPUT/OUTPUT SCHEMATIC DIAGRAMS

Figure 29. STV2238D (TQFP64) (continued)



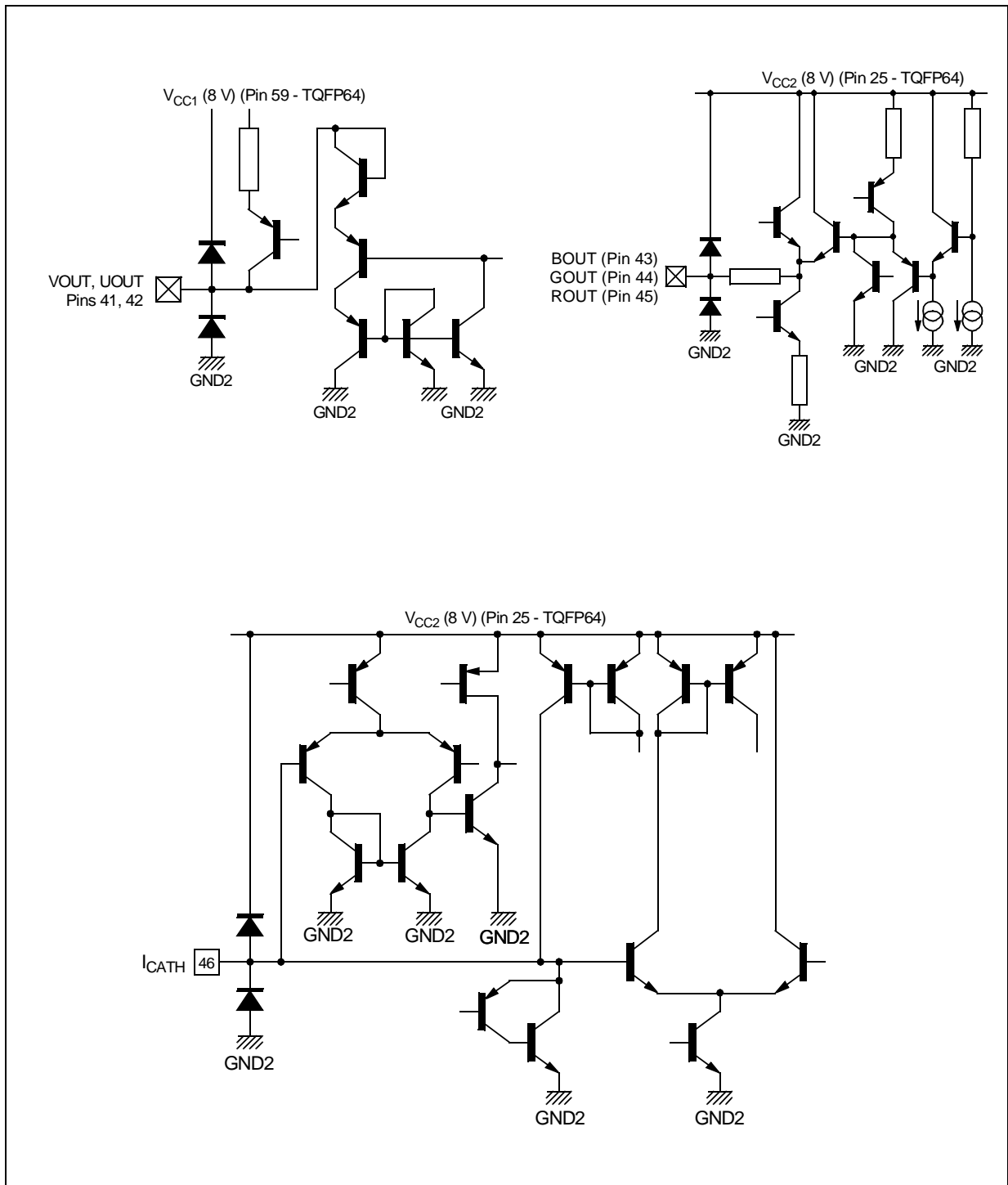
STV223XD/224XC - INPUT/OUTPUT SCHEMATIC DIAGRAMS

Figure 30. STV2238D (TQFP64) (continued)



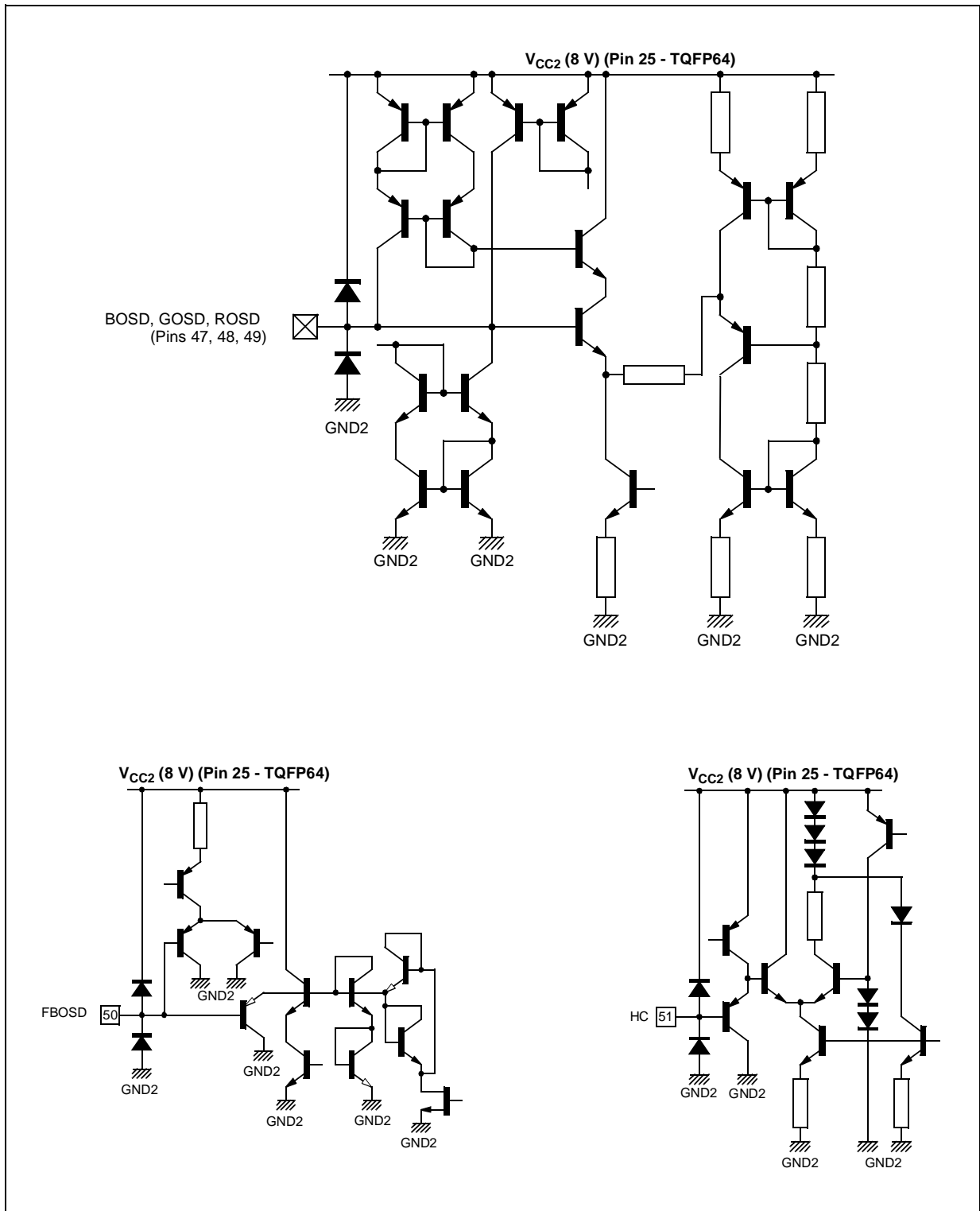
STV223XD/224XC - INPUT/OUTPUT SCHEMATIC DIAGRAMS

Figure 31. STV2238D (TQFP64) (continued)



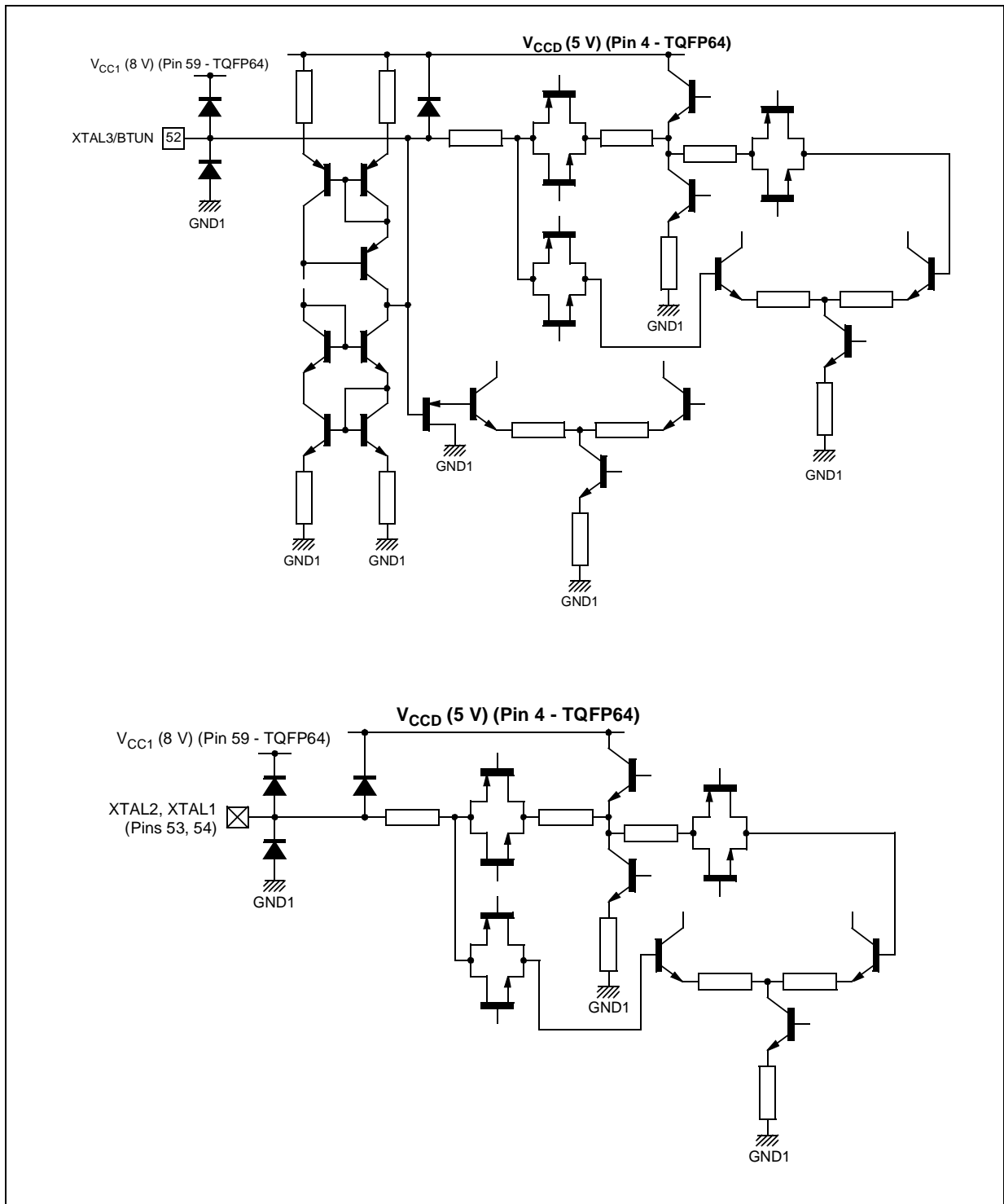
STV223XD/224XC - INPUT/OUTPUT SCHEMATIC DIAGRAMS

Figure 32. STV2238D (TQFP64) (continued)



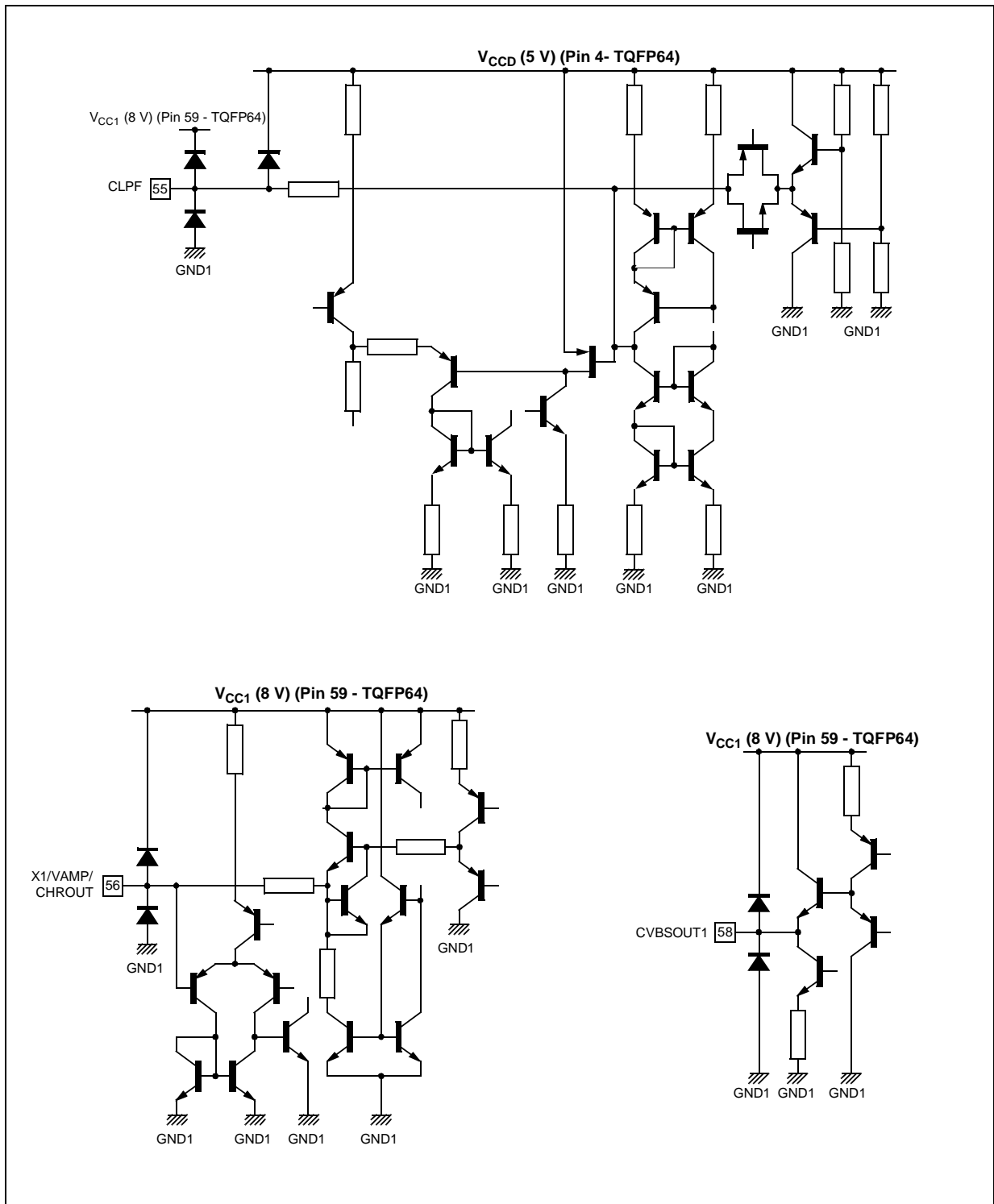
STV223XD/224XC - INPUT/OUTPUT SCHEMATIC DIAGRAMS

Figure 33. STV2238D (TQFP64) (continued)



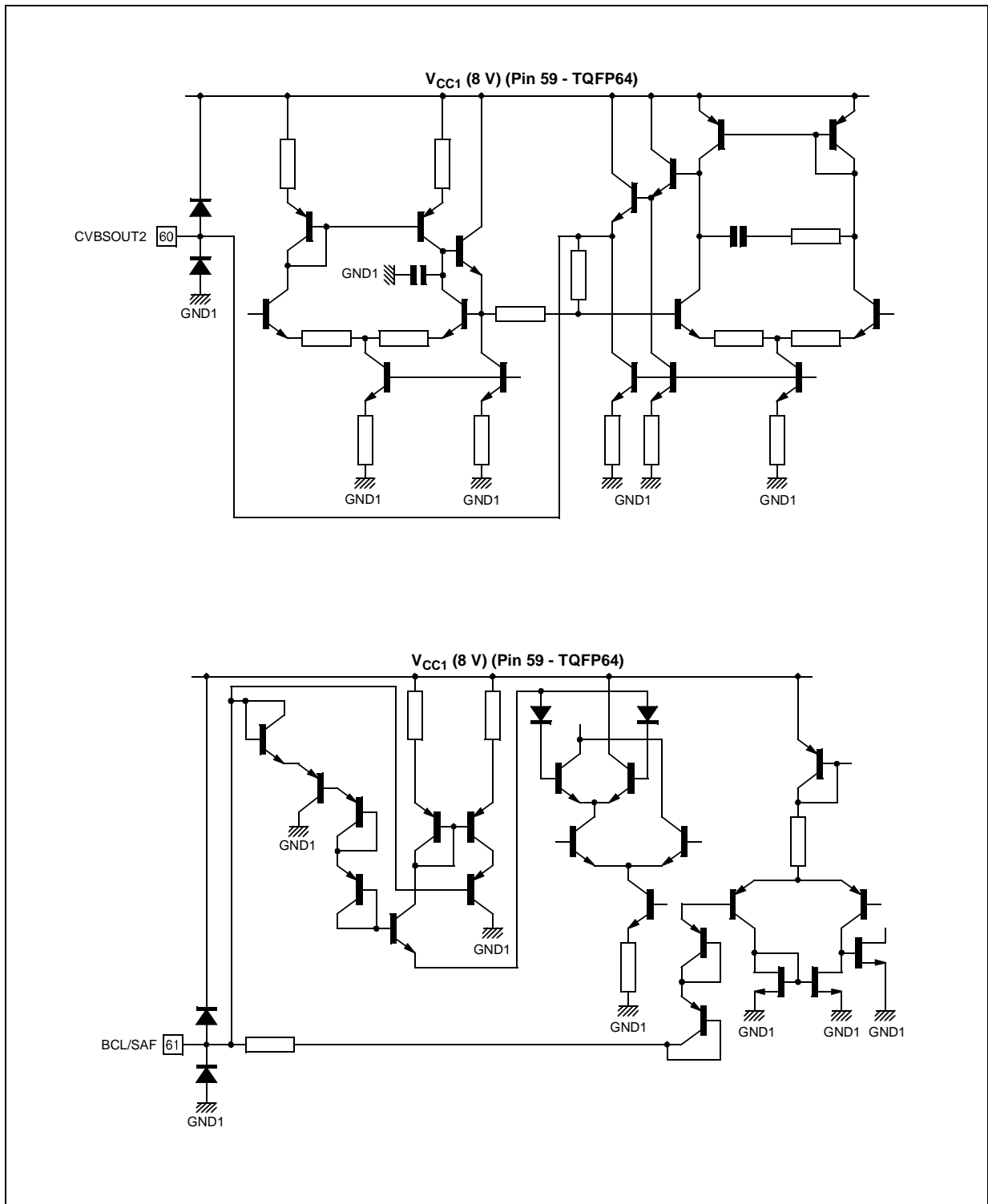
STV223XD/224XC - INPUT/OUTPUT SCHEMATIC DIAGRAMS

Figure 34. STV2238D (TQFP64) (continued)



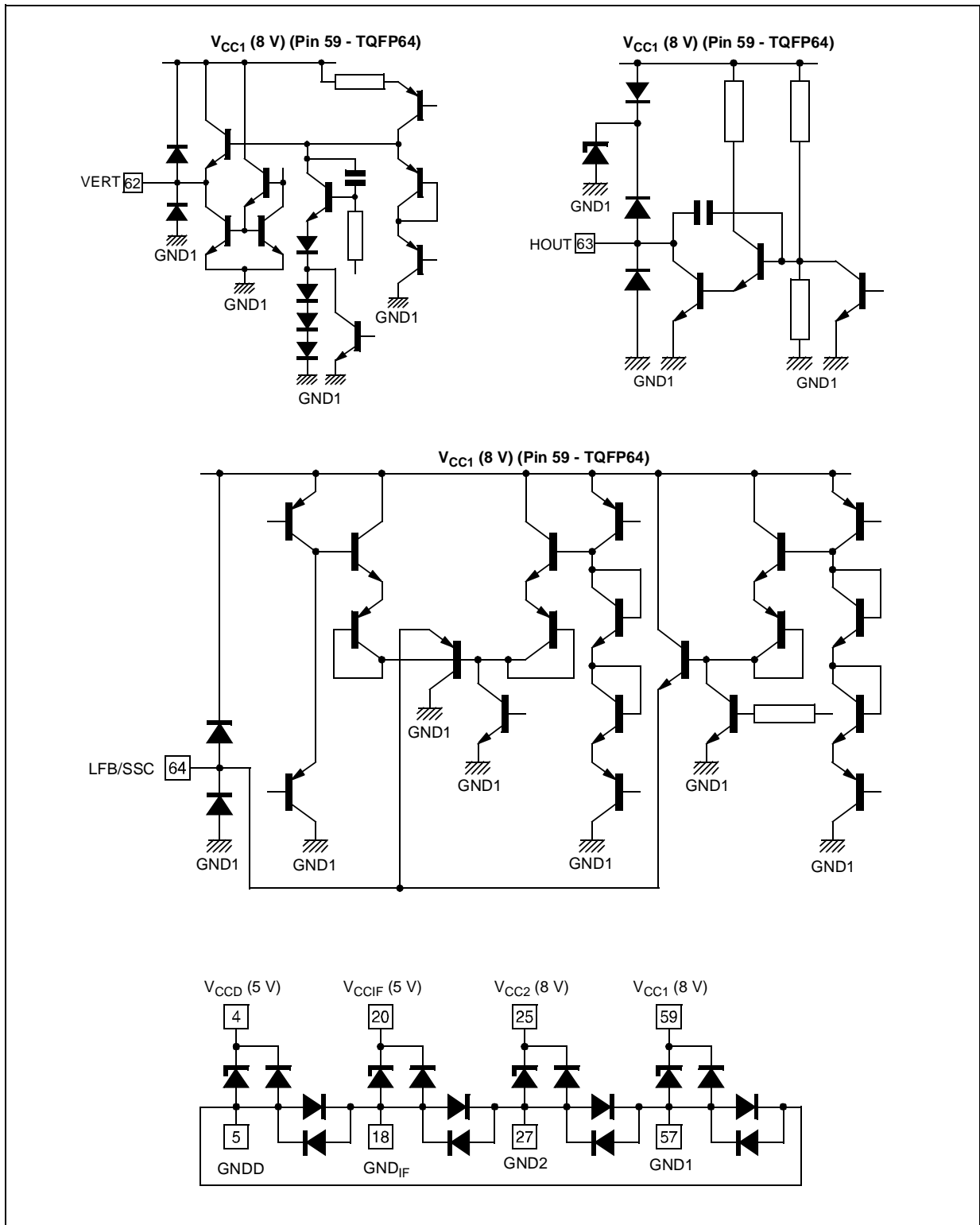
STV223XD/224XC - INPUT/OUTPUT SCHEMATIC DIAGRAMS

Figure 35. STV2238D (TQFP64) (continued)



STV223XD/224XC - INPUT/OUTPUT SCHEMATIC DIAGRAMS

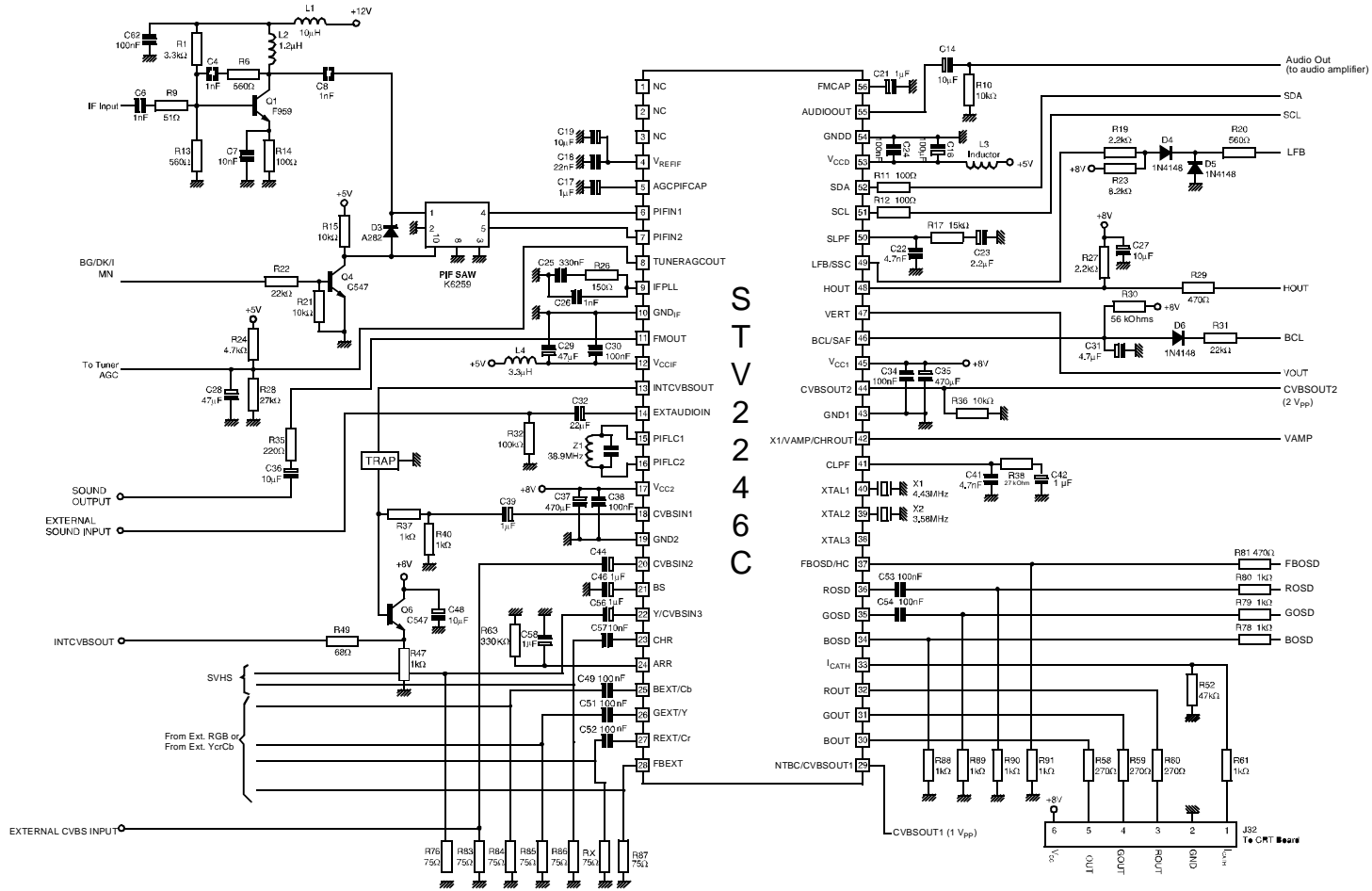
Figure 36. STV2238D (TQFP64) (continued)





MULTISTANDARD ASIA MONO APPLICATION

PAL/NTSC BG/DK/I/M/N



STV2246C

Figure 38. STV2246C

STV223XD/224XC - APPLICATION DIAGRAMS



MULTISTANDARD ASIA STEREO APPLICATION PAL/NTSC BG/DK/I/M/N

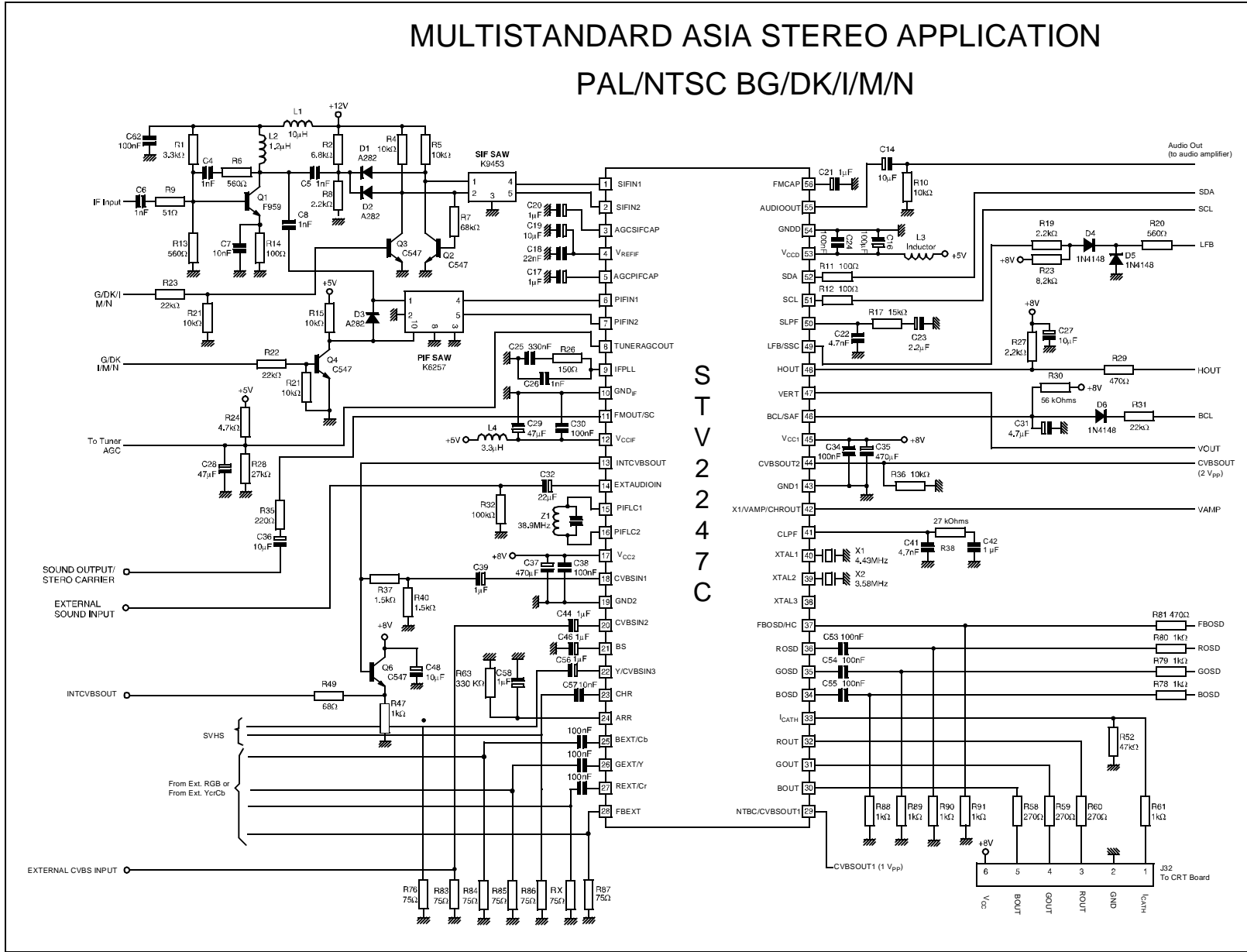


Figure 39. STV2247C

STV223XD/I224XC - APPLICATION DIAGRAMS



MULTI-STANDARD EUROPEAN APPLICATION PAL/SECAM/NTSC BG/DK/I/LL'

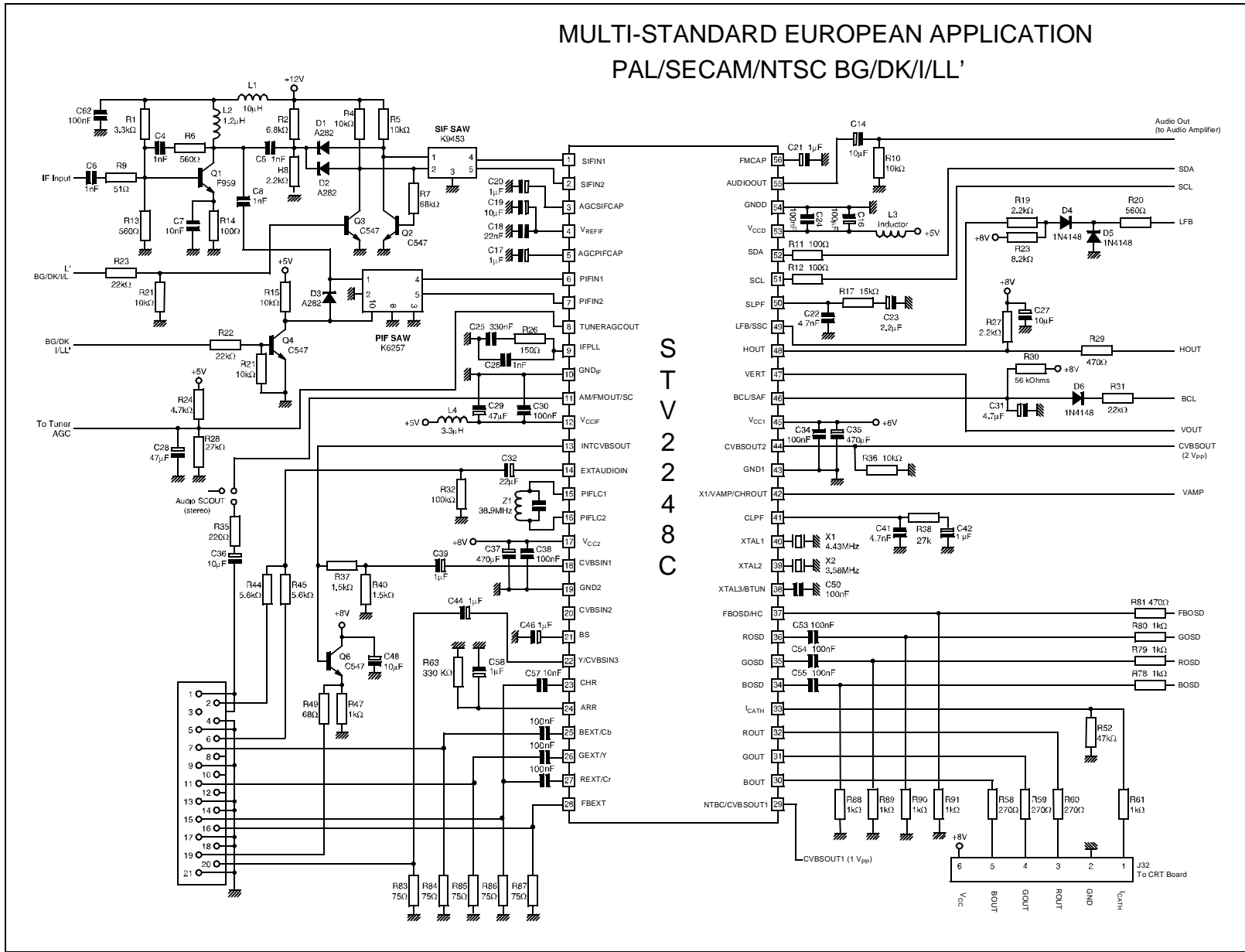


Figure 40. STV2248C

STV223XD/224XC - APPLICATION DIAGRAMS

STV223XD/224XC - SUMMARY OF CHANGES

10 SUMMARY OF CHANGES

| Rev. | Main Changes | Date |
|------|---|------------------|
| 1.8 | Deletion of AM Demodulator for the STV2249C in Figure 10 on page 14. Pin names changed from "NC" to "NTBC" in diagrams. | 16 March 2001 |
| 1.9 | The value of R30 on pin BCL/SAF was changed from 220 kOhms to 56 kOhms in the Application diagrams. Modification of Register 13 in Section 6.3 STV2238D: Input Signals (Write Mode). Deletion of "PAL/NTSC Only" row of the I ² C Bus Specification table in Section 7 on page 52. | 12 April 2001 |
| 2.0 | Modification of Crystal Detection values in Section 3.2 on page 18 and CRYSTAL DETECTION on page 34. Clarification of POR conditions in Section 6.5 on page 51. | 8 Jan 2002 |
| 2.1 | Update of Frequency Control Range value in Section 4.9 Scanning Part. | 13 Feb 2002 |

STV223XD/224XC - GENERAL PACKAGE INFORMATION

11 GENERAL PACKAGE INFORMATION

11.1 PACKAGE MECHANICAL DATA

Figure 41. 56-Pin Shrink Plastic Dual In Line Package, 600-mil Width

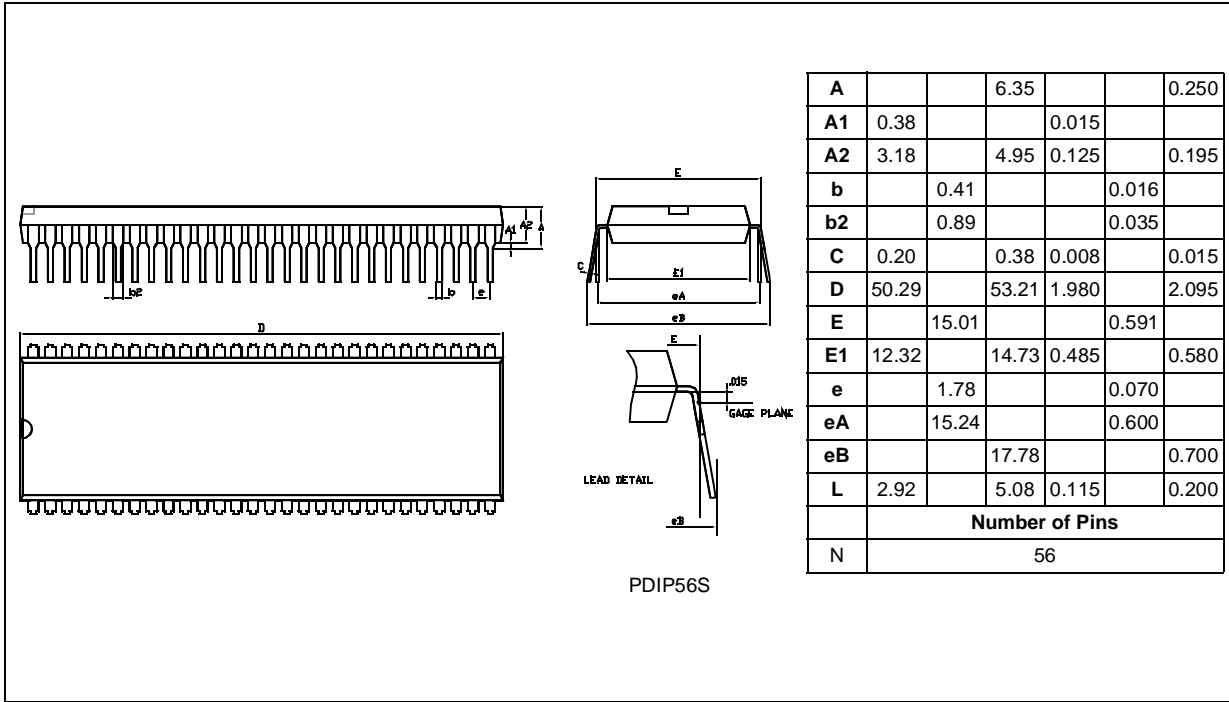
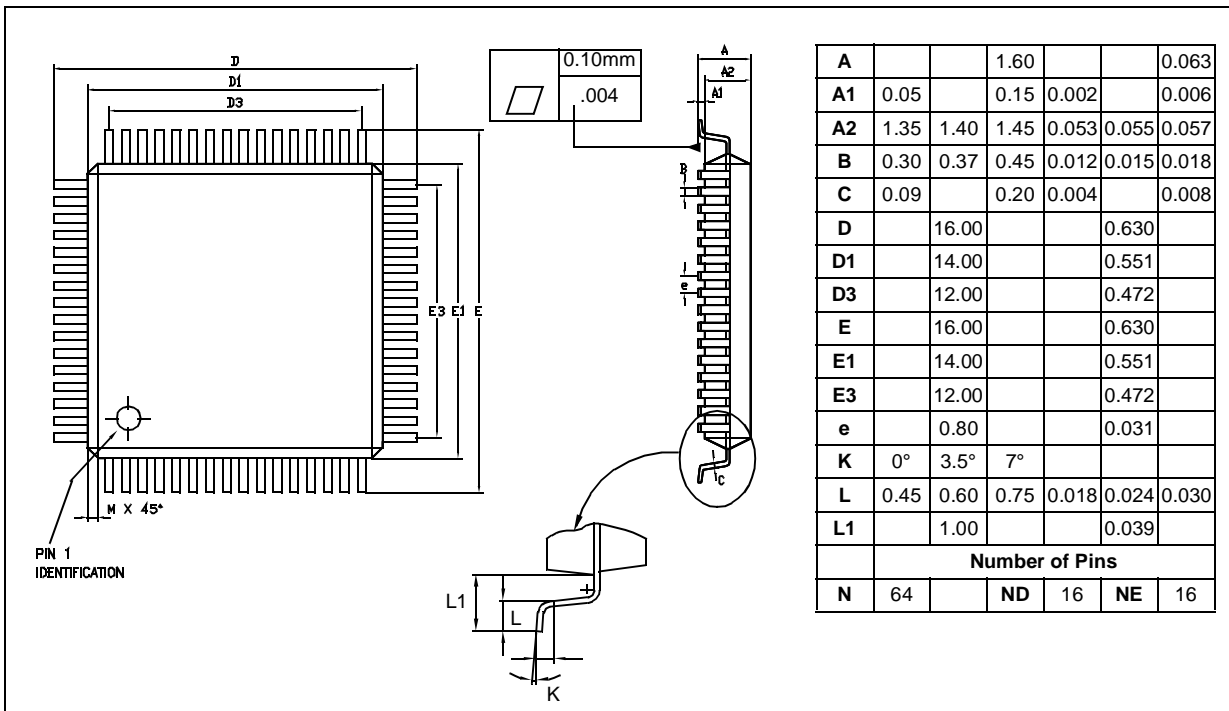


Figure 42. 64-Pin Thin Quad Flat Package



STV223XD/224XC - GENERAL PACKAGE INFORMATION

Notes:

Information furnished is believed to be accurate and reliable. However, STMicroelectronics assumes no responsibility for the consequences of use of such information nor for any infringement of patents or other rights of third parties which may result from its use. No license is granted by implication or otherwise under any patent or patent rights of STMicroelectronics. Specifications mentioned in this publication are subject to change without notice. This publication supersedes and replaces all information previously supplied. STMicroelectronics products are not authorized for use as critical components in life support devices or systems without the express written approval of STMicroelectronics.

The ST logo is a registered trademark of STMicroelectronics

©2002 STMicroelectronics - All Rights Reserved.

Purchase of I²C Components by STMicroelectronics conveys a license under the Philips I²C Patent. Rights to use these components in an I²C system is granted provided that the system conforms to the I²C Standard Specification as defined by Philips.

STMicroelectronics Group of Companies

Australia - Brazil - Canada - China - Finland - France - Germany - Hong Kong - India - Israel - Italy - Japan
Malaysia - Malta - Morocco - Singapore - Spain - Sweden - Switzerland - United Kingdom - U.S.A.

<http://www.st.com>