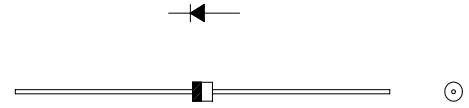


# SBD Type :11EQS06

## OUTLINE DRAWING

### FEATURES

- \* Miniature Size
- \* Low Forward Voltage Drop
- \* High Surge Capability
- \* 30volts trough 100volts Types Available
- \* 26mm and 52mm Inside Tape Spacing Package Available



### Maximum Ratings

Approx Net Weight:0.17g

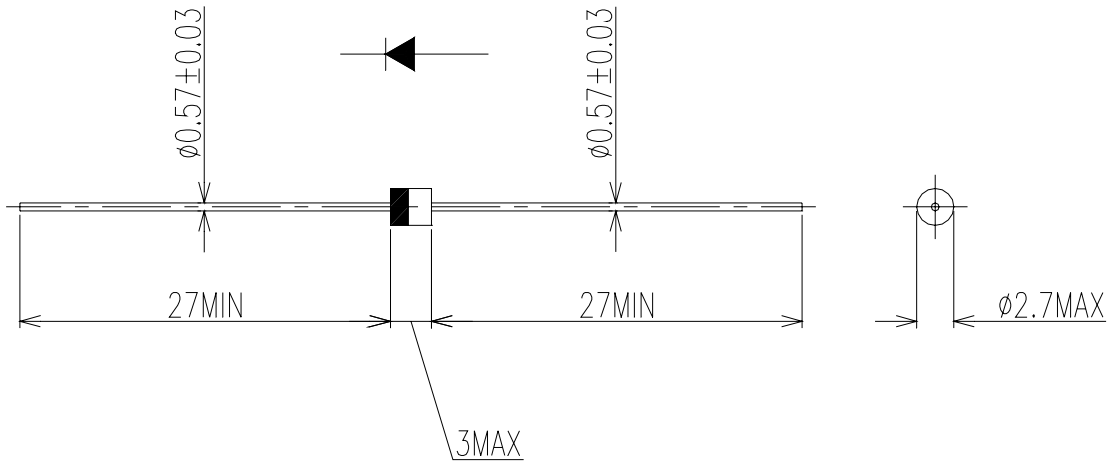
Rating		Symbol	11EQS06			Unit
Repetitive Peak Reverse Voltage		$V_{RRM}$	60			V
Non-repetitive Peak Reverse Voltage		$V_{RSM}$	65			V
Average Rectified Output Current	Without Fin or P.C.Board	$I_o$	0.8	$T_a=28^{\circ}C$	Half Sine Wave Resistive Load	A
	P.C.Board Mounted *		1.0	$T_a=29^{\circ}C$		
RMS Forward Current		$I_{F(RMS)}$	1.57			A
Surge Forward Current		$I_{FSM}$	25	Half Sine Wave,1cycle,Non-repetitive		A
Operating JunctionTemperature Range		$T_{jw}$	- 40 to + 150			$^{\circ}C$
Storage Temperature Range		$T_{stg}$	- 40 to + 150			$^{\circ}C$

### Electrical • Thermal Characteristics

Characteristics	Symbol	Conditions	Min	Typ	Max	Unit
Peak Reverse Current	$I_{RM}$	$T_j= 25^{\circ}C, V_{RM}= V_{RRM}$	-	-	1	mA
Peak Forward Voltage	$V_{FM}$	$T_j= 25^{\circ}C, I_{FM}= 1 A$	-	-	0.58	V
Thermal Resistance(Junction to Ambient)	$R_{th(j-a)}$	Without Fin or P.C.Board	-	-	140	$^{\circ}C/W$
		P.C.Board mounted *	-	-	110	

\* :Print Lands = 5x5 mm,Both Sides

11EQS06 OUTLINE DRAWING (Dimensions in mm)



This datasheet has been downloaded from:

[www.DatasheetCatalog.com](http://www.DatasheetCatalog.com)

Datasheets for electronic components.