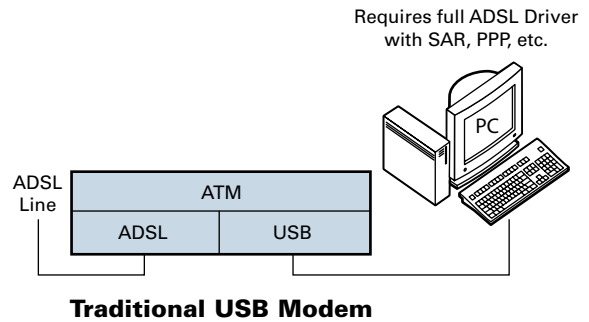
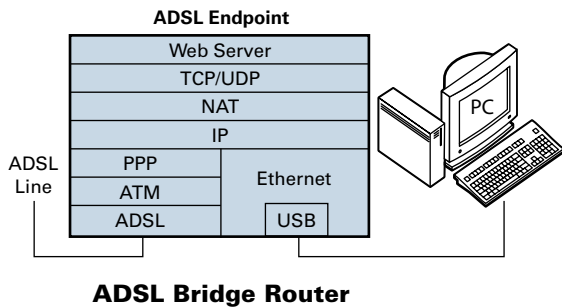
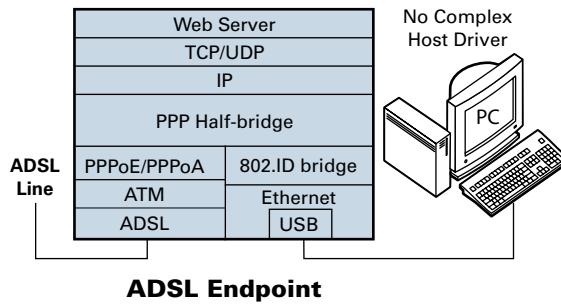




CX82320 Endpoint Features

- Complete ADSL on a chip
- Low cost architecture
- No flash memory
- No power supply
- Lowest cost PC interface
- Full rate ADSL and G.lite operation
- Annex A and Annex B Support
- Robust architecture
- All protocols implemented on chip
- Ethernet frames passed to PC
- No complex PC driver required
- Familiar look and feel
- Web based management
- Support for all major PC operating systems
- Expandable to advanced modular gateway solutions

Typical Modem Firmware Architecture Comparisons



© 2002, Conexant Systems, Inc. All Rights Reserved. Conexant and the Conexant logo are trademarks of Conexant Systems, Inc. All other trademarks are owned by their respective owners. Although Conexant strives for accuracy in all its publications, this material may contain errors or omissions and is subject to change without notice. **THIS MATERIAL IS PROVIDED AS IS AND WITHOUT ANY EXPRESS OR IMPLIED WARRANTIES, INCLUDING MERCHANTABILITY, FITNESS FOR A PARTICULAR PURPOSE AND NON-INFRINGEMENT.** Conexant shall not be liable for any special, indirect, incidental or consequential damages as a result of its use.

www.conexant.com
 General Information:
 U.S. and Canada: (800) 854-8099
 International: (949) 483-6996
 Headquarters – Newport Beach
 4311 Jamboree Rd, P.O. Box C
 Newport Beach, CA 92660-3095

Order# 102114B

