

SANYO**LA6518M****2-Channel Power Operational Amplifier****Applications**

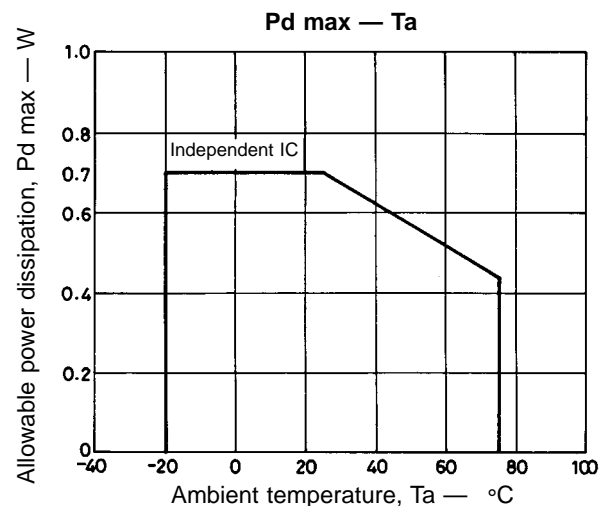
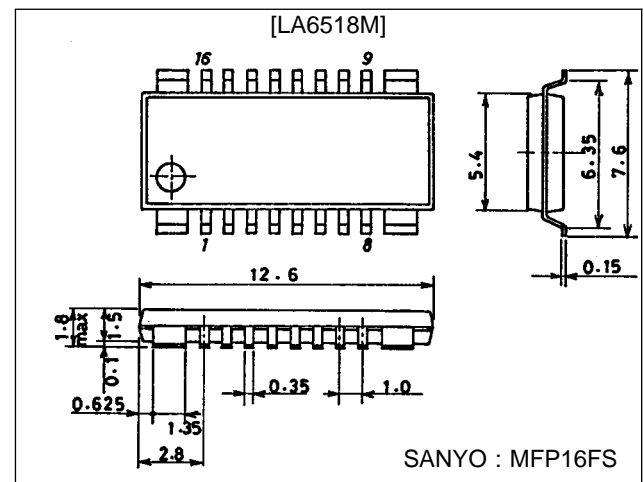
The LA6518M is a 2-output power operational amplifier developed for use in consumer and industrial equipment.

Features and Functions

- High output current (I_O max = 0.5 A)
- High gain
- Includes current limiter
- Wide operating voltage range (± 2 to ± 18 V)
- Single power supply operation possible (4 to 36 V)
- Thermal shutdown function built in

Package Dimensions

unit : mm

3097-MFP16FS**Specifications****Maximum Ratings at $T_a = 25$ °C**

Parameter	Symbol	Conditions	Ratings	Unit
Maximum supply voltage	V_{CC}/V_{EE}		± 18	V
Differential input voltage	V_{ID}		30	V
Common-mode input voltage	V_{IN}		± 15	V
Allowable power dissipation	P_d max		0.7	W
Operating temperature	T_{opr}		-20 to +75	°C
Storage temperature	T_{stg}		-55 to +150	°C

SANYO Electric Co.,Ltd. Semiconductor Business Headquarters

TOKYO OFFICE Tokyo Bldg., 1-10, 1 Chome, Ueno, Taito-ku, TOKYO, 110 JAPAN

92995HA(II) No.5162-1/4

LA6518M

Operating Conditions at $T_a = 25\text{ }^\circ\text{C}$

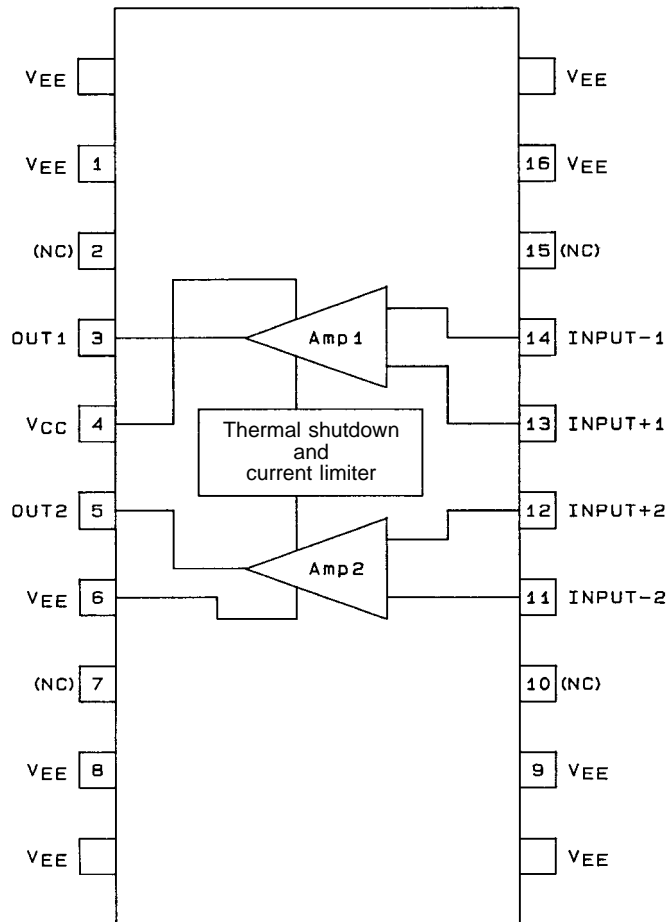
Parameter	Symbol	Conditions	Ratings	Unit
Recommended supply voltage	V_{CC}/V_{EE}		± 2 to ± 16	V

Electrical Characteristics at $T_a = 25\text{ }^\circ\text{C}$, $V_{CC}/V_{EE} = \pm 15\text{ V}$

Parameter	Symbol	Conditions	min	typ	max	Unit
No-load current drain	I_{CC}			8	20	mA
Input offset voltage	V_{IO}	$R_S \leq 10\text{ k}\Omega$		2	7	mV
Input offset current	I_{IO}			10	100	nA
Input bias current	I_B			100	300	nA
Common-mode input voltage range	V_{ICM}		-14		+13	V
Common-mode signal rejection ratio	CMR		65	80		dB
Maximum output voltage	V_O	$R_L = 33\ \Omega$	± 11	± 12		V
Voltage gain	V_{GO}			85		dB
Slew rate	SR	$G_V = 0, R_L = 33\ \Omega, R = 10\ \Omega, L = 0.1\ \mu\text{F}$		0.15		V/ μs
Supply voltage rejection ratio	SVR			30	300	$\mu\text{V/V}$
Limit current (built-in type)	I_{SC}			0.5		A

- Thermal shutdown function built in.

Block Diagram and Pin Assignment



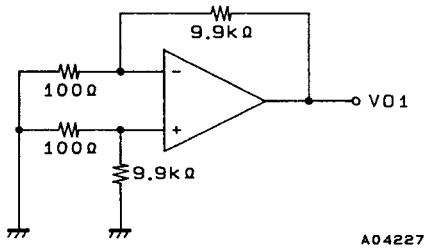
Do not use the NC pin.

A04226

Top view

Test Circuit

1. $V_{I0}, SVRR$

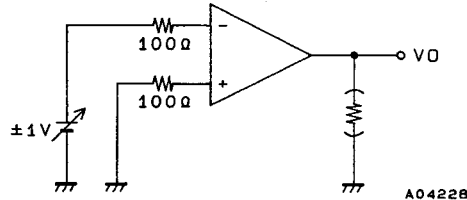


A04227

$$V_{I0} V_{CC}/V_{EE} = \pm 15V$$

$$SVRR \begin{cases} V_{CC} = 15V, 5V \\ V_{EE} = -5V, -15V \end{cases}$$

2. V_O

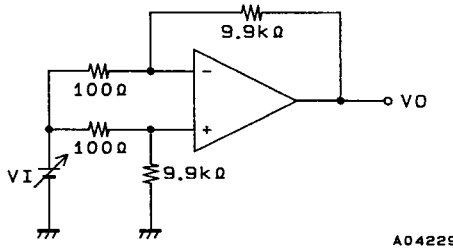


A04228

$$V_{I0} = V_{O1}/100$$

$$\begin{aligned} SVR(+) &= \left| \frac{\Delta V_{O1}}{100k\Omega \times 10V} \right| \\ SVR(-) &= \left| \frac{\Delta V_{O1}}{100k\Omega \times 10V} \right| \end{aligned}$$

3. CMRR, V_{ICM}

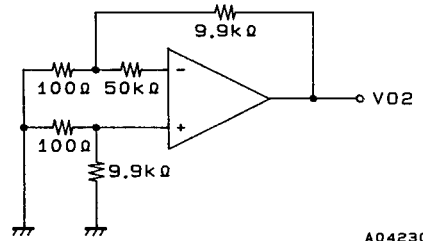


A04229

$$CMRR V_I = \pm 7.5V$$

$$CMR = 20 \log \frac{15 \times 100}{|\Delta V_O|}$$

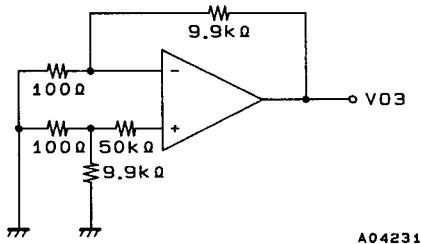
4. $IB(-)$



A04230

$$IB(-) = \frac{|\Delta V_{O2} - V_{O1}|}{50k\Omega \times 100}$$

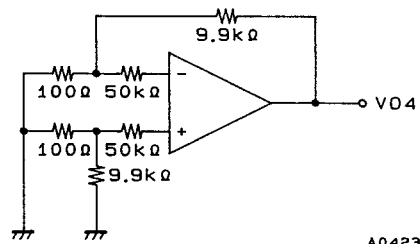
5. $IB(+)$



A04231

$$IB(+) = \frac{|\Delta V_{O3} - V_{O1}|}{50k\Omega \times 100}$$

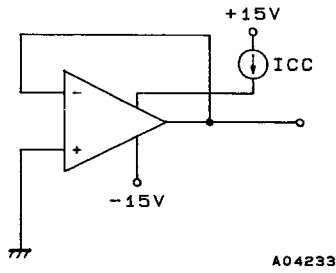
6. I_{I0}



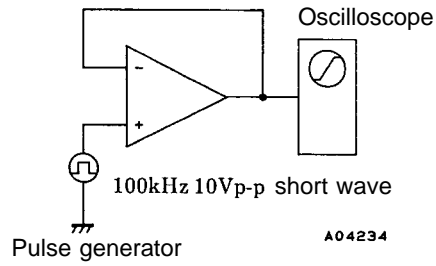
A04232

$$I_{I0} = \frac{|V_{O4} - V_{O1}|}{50k\Omega \times 100}$$

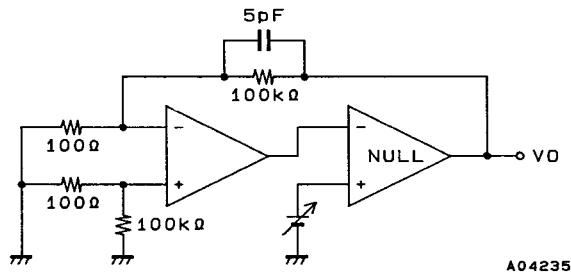
7. I_{CC}



8. SR



9. V_{GO}



$$V_{GO} = 20 \log \frac{1000 \times 20}{\Delta V_O}$$

- No products described or contained herein are intended for use in surgical implants, life-support systems, aerospace equipment, nuclear power control systems, vehicles, disaster/crime-prevention equipment and the like, the failure of which may directly or indirectly cause injury, death or property loss.
- Anyone purchasing any products described or contained herein for an above-mentioned use shall:
 - ① Accept full responsibility and indemnify and defend SANYO ELECTRIC CO., LTD., its affiliates, subsidiaries and distributors and all their officers and employees, jointly and severally, against any and all claims and litigation and all damages, cost and expenses associated with such use:
 - ② Not impose any responsibility for any fault or negligence which may be cited in any such claim or litigation on SANYO ELECTRIC CO., LTD., its affiliates, subsidiaries and distributors or any of their officers and employees jointly or severally.
- Information (including circuit diagrams and circuit parameters) herein is for example only; it is not guaranteed for volume production. SANYO believes information herein is accurate and reliable, but no guarantees are made or implied regarding its use or any infringements of intellectual property rights or other rights of third parties.

This catalog provides information as of September, 1995. Specifications and information herein are subject to change without notice.