

Ultra High Bright Surface Mounting Chip

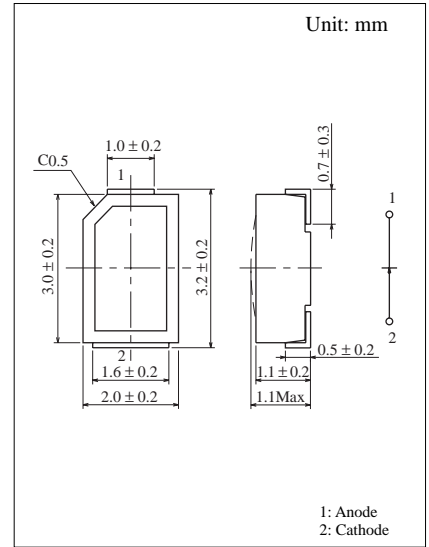
J-GaAlAs Type

Conventional Part No. Global Part No. Lighting Color
 LN1251CAL – (TR) ··· LNJ251C4ARA ····· Ultra Bright Red

■ Absolute Maximum Ratings ($T_a = 25^\circ\text{C}$)

Lighting Color	P_D (mW)	I_F (mA)	I_{FP} (mA)*	V_R (V)	T_{opr} ($^\circ\text{C}$)	T_{stg} ($^\circ\text{C}$)
Ultra Bright Red	45	15	60	3	-25 ~ +80	-30 ~ +85

I_{FP} の条件は d duty 10% Pulse width 1 msec. The condition of I_{FP} is duty 10%, Pulse width 1 msec



■ Electro-Optical Characteristics ($T_a = 25^\circ\text{C}$)

Conventional Part No.	Lighting Color	Lens Color	I_O			I_F	V_F		λ_p	$\Delta\lambda$	I_F	I_R	
			Typ	Min			Typ	Max				Max	V_R
LN1251CAL – (TR)	Ultra Bright Red	Clear	9.0	3.3	10	1.75	2.6	660	20	15	100	3	
Unit	—	—	mcd	mcd	mA	V	V	nm	nm	mA	μA	V	

