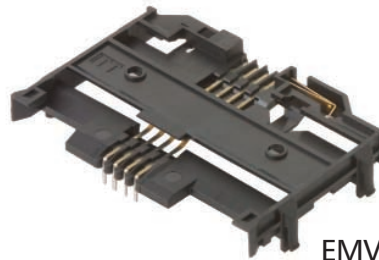


CCM01 MK III



EMV™ compatible

CCM01 MK III connectors are intended for applications such as pay TV, home shopping and utility meters. Mainly driven by the Set Top Box market for payment and/or deciphering.

Features

- Available in standard or reverse card reading version, with direct PCB soldering for reduced installation cost.
- Panel mount version comes with improved noise reduction FPC, to accommodate all front panel configurations.
- Double sided version allows the customer to insert the card chip up or down for easier handling.
- Self cleaning card detection switch (normally closed) is protected against assembly mishandling.
- Available with 8 through hole contacts specifically designed to reduce card wear.
- A chamfer opening to the card entry slot improves the card guidance into the connector.
- Variable distance from lower card side to PCB to level card slot with your front panel design
- Easy insertion into PCB provided by four half pegs and termination true positioning insulator.¹
- Four snap in board locks to lower stress on soldered terminals and improve interconnect PCB retention.
- Thermoplastic UL 94 V-0 insulator suitable for wave soldering only
- Designed to be compatible with:
NDS
EMVCo

¹ Termination true positioning insulator not designed on low profile version 3,9 mm

EMV™ is a trademark owned by EMVCoLLC.

Construction

Insulator	Thermoplastic UL94V-0 rated
Contacts	Copper alloy
Contact Finish	Gold over nickel
PC tail plating	Tin lead (2µ min.)

Mechanical Data

Mechanical life	30,000 cycles min
Card insertion force	10 N max
Card extraction force	1 N min / 10 N max
Contact force	0.20 N min / 0.60 N max
Vibration	Frequency 10 to 500 Hz. Acceleration 50m/s ² Duration 6 hours - amplitude 0,35 mm Max electrical discontinuity 1µs
Shock	Peak value 500 m/s ² – Duration 11 ms 3 shocks in each direction of each axis Max electrical discontinuity 1 µs

Contact Electrical Data

Insulation resistance	1,000 MΩ min
Resistance	100 mΩ max
Current rating	10 µA min / 1 A max
Dielectric strength	750 Vrms min

Switch Electrical Data

Card detection switch	Normally closed
Contact resistance	100mΩ max
Dielectric strength	250 Vrms min
Current rating	1 mA min / 10 mA max
Maximum power	0.2 VA

Environmental Data

Operating temperature	-20°C to +70°C
Soldering temperature	Wave: 260°C / 5 seconds
Damp heat	IEC 512 test number 11c (10 days)
Salt mist	IEC 512 test number 11f (96 hours)

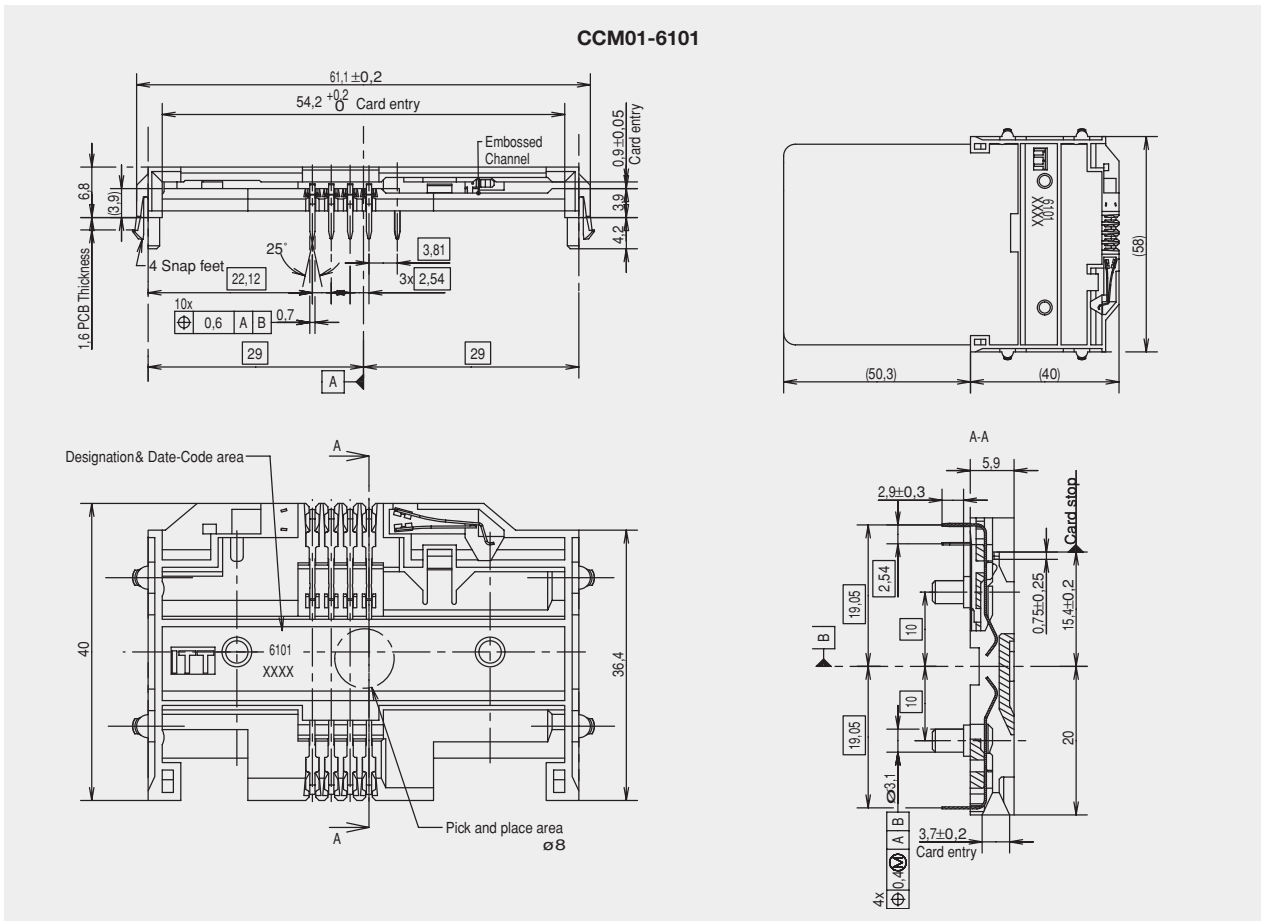
Ordering Code

Designation	Standard Version	Reverse Version
Distance from lower card entrance & PCB		
3,90 mm	CCM01-6101	CCM01-6201
6,75 mm		CCM01-6202
6,50 mm	CCM01-6105	
8,00 mm	CCM01-6103	
Panel Mount	CCM01-6301	CCM01-6302
Double Decker	CCM01-6402	CCM01-6403

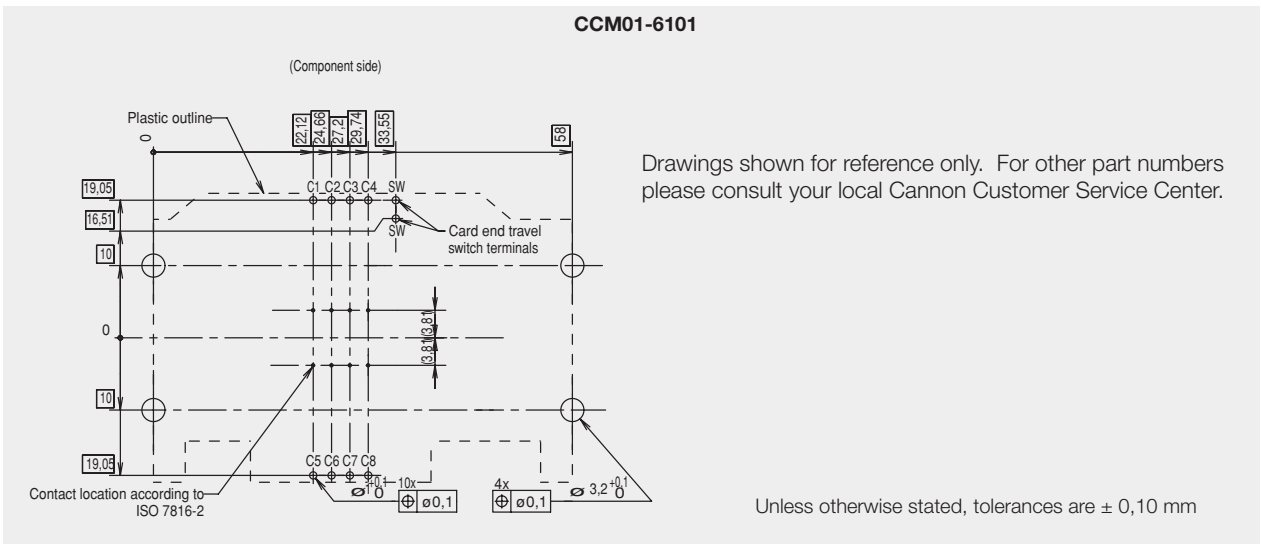
Packaging

30 per tray, 10 trays per box.

Dimensional Drawings



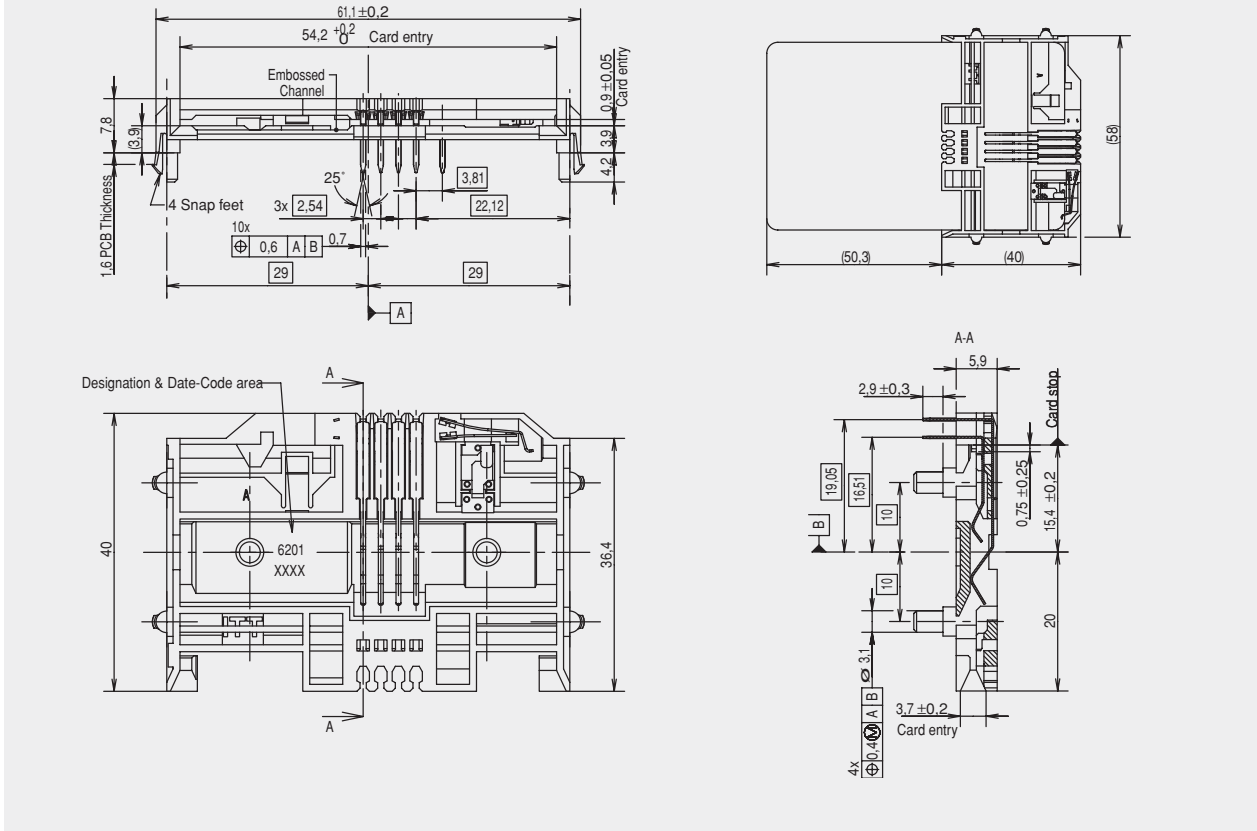
PCB Layout



CCM01 MK III

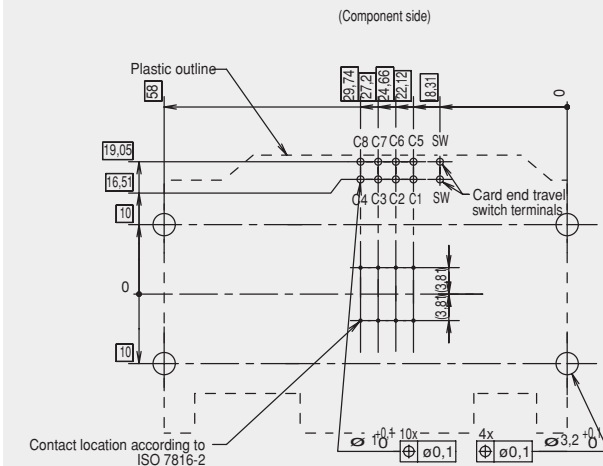
Dimensional Drawings

CCM01-6201



PCB Layout

CCM01-6201



Drawings shown for reference only. For other part numbers please consult your local Cannon Customer Service Center.

Unless otherwise stated, tolerances are $\pm 0,10$ mm