

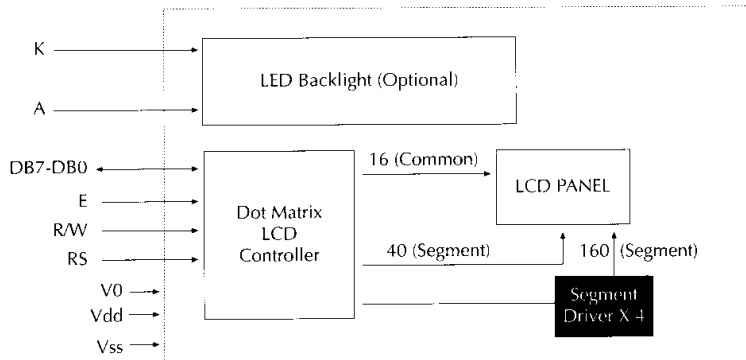
CCM-2040 SERIES



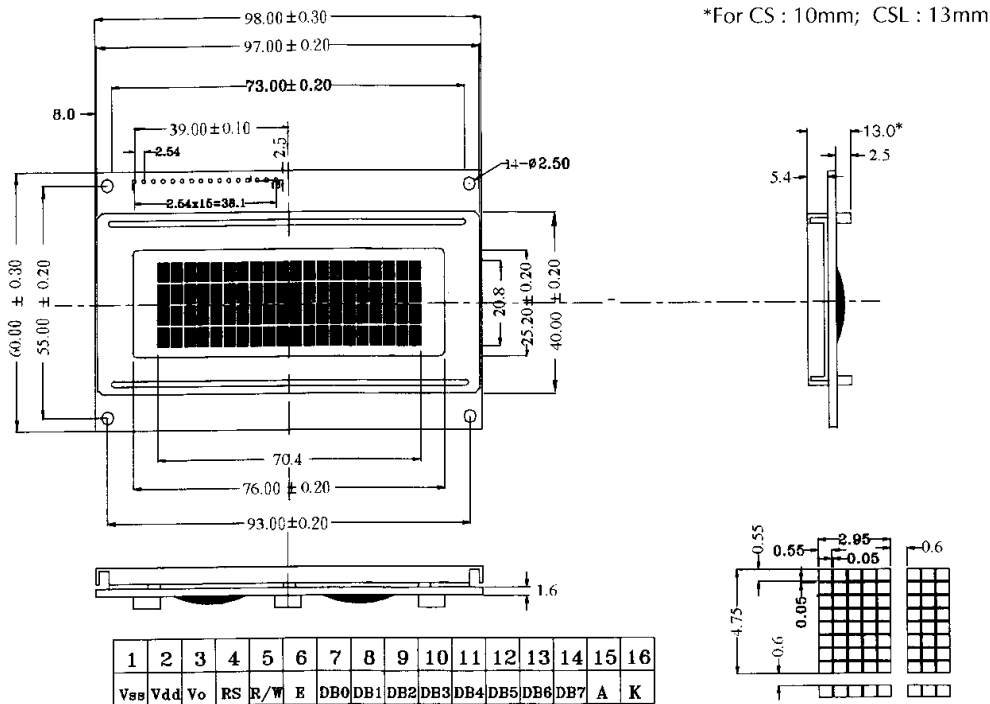
GENERAL INFORMATION

Item	Description	Unit
Module Dimension	98.0(L) x 60.0(W) x 10.0/13.0(H)	mm
Viewing Area	76.0(L) x 25.2(W)	mm
Character Size	2.95(L) x 4.75(W)	mm
Dot Size	0.55(L) x 0.55(W)	mm
Dot Pitch	0.60(L) x 0.60(W)	mm
Duty Cycle	1/16	

SYSTEM BLOCK DIAGRAM



ASSEMBLY DIAGRAM



Contacts:

TELCONA AG,Head Office: Höri, Switzerland	Tel.++41-1-860 2550	Fax.++41-1-860 2822	www.telcona.com
TELCONA AG,Sales Office: Sinsheim, Germany	Tel.++49-7261-655 388	Fax.++49-7261-655 389	
TELCONA AG,Sales Office: Lésigny, France	Tel.++33-1-60 34 28 28	Fax ++33-1-60 34 28 29	

ABSOLUTE MAXIMUM

Item	Symbol	Min.	Max.	Unit
Power Supply for Logic	Vdd-Vss	0	+7.0	V
Power Supply for LCD Drive	Vdd-Vo	0	13.5	V
Input Voltage	Vi	Vss	Vdd	V
Operating Temperature	Ta	0	+50	°C
Storage Temperature	Tstg	-10	+60	°C

ELECTRICAL CHARACTERISTICS

(Ta=25°C; Vdd=5.0V±5%, otherwise specified)

Item	Symbol	Test Condition	Min.	Typ.	Max.	Unit
Power Supply for Logic	Vdd	--	4.5	--	5.5	V
Input "high" voltage	Vih	--	2.2	--	Vdd	V
Input "low" voltage	Vil	--	-0.3	--	0.6	V
Output "high" voltage	Voh	-loh=0.2mA	2.4	--	--	V
Output "low" voltage	Vol	lo1=1.2mA	--	--	0.4	V
Power supply current	Idd	Vdd=5.0V	--	1.0	3.0	mA

PIN ASSIGNMENT

No.	Symbol	Level	Function	
1	Vss	--	0V	Power Supply
2	Vdd	--	+5V	
3	Vo	--	for LCD	
4	RS	H/L	Register Select: H--Data, L--Instruction	
5	R/W	H/L	H--Read	L--Write
6	E	H,H-L	Enable Signal	
7	DB0	H/L	Data bus used in 8 bit transfer	
8	DB1	H/L		
9	DB2	H/L		
10	DB3	H/L		
11	DB4	H/L	Data bus for both 4 and 8 bit transfer	
12	DB5	H/L		
13	DB6	H/L		
14	DB7	H/L		
15	A	--	LED Backlight (+)	
16	K	--	LED Backlight (-)	

Contacts:

TELCONA AG,Head Office: Höri, Switzerland	Tel.++41-1-860 2550	Fax.++41-1-860 2822	www.telcona.com
TELCONA AG,Sales Office: Sinsheim, Germany	Tel.++49-7261-655 388	Fax.++49-7261-655 389	
TELCONA AG,Sales Office: Lésigny, France	Tel.++33-1-60 34 28 28	Fax ++33-1-60 34 28 29	