

Gain and Attenuation Volume Controller IC

One Set of Stereo Input, Low voltage

Gain and Attenuation 15~-79dB

FEATURES

- Operation range: 2.7V~5.5V
- Low power consumption
- Gain/Attenuation: 15dB to -79dB at 1dB/step
- Housed in 8 pin SOP package
- I²C interface

APPLICATIONS

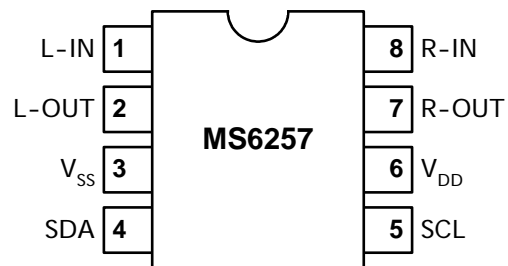
- Multimedia system
- Hi-Fi audio system
- MP3, PDA
- Cross-reference PT2257, PT2259

DESCRIPTION

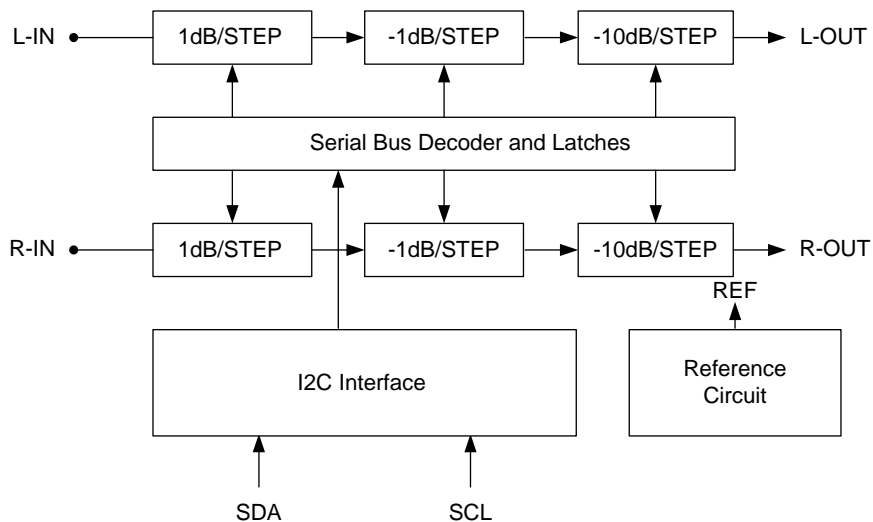
The MS6257 is the stereo audio volume controller IC. It uses CMOS technology specially for the low voltage application with low noise, rail-to-rail output. The MS6257 provide an I²C control interface with gain / attenuation range of 15dB to -79dB, 1dB/step. The initial condition is set to be maximum attenuation -79dB and mute on mode when the power is up.

PIN CONFIGURATION

Symbol	Pin	Description
L-IN	1	Left channel input
L-OUT	2	Left channel output
V _{SS}	3	Ground
SDA	4	I ² C data input
SCL	5	I ² C clock input
V _{DD}	6	Positive supply voltage
R-OUT	7	Right channel output
R-IN	8	Right channel input



BLOCK DIAGRAM



ORDERING INFORMATION

Package	Part number	Packaging Marking	Transport Media
8-Pin SOP	MS6257TR	MS6257	2.5k Units Tape and Reel
8-Pin SOP	MS6257U	MS6257	100 Units Tube
8-Pin SOP (lead free)	MS6257GTR	MS6257G	2.5k Units Tape and Reel
8-Pin SOP (lead free)	MS6257GU	MS6257G	100 Units Tube

ABSOLUTE MAXIMUM RATINGS

Symbol	Parameter	Rating	Unit
V _{DD}	Supply Voltage	6	V
V _{ESD}	Electrostatic Handling	-4500 to 4500	V
T _{STG}	Storage Temperature Range	-65 to 150	°C
T _A	Operating Ambient Temperature Range	-40 to 85	°C
T _J	Maximum Junction Temperature	150	°C
T _S	Soldering Temperature, 10 seconds	260	°C
R _{THJA}	Thermal Resistance from Junction to Ambient in Free Air SOP8	210	°C/W

OPERATING RATINGS

Symbol	Parameter	Min	Typ	Max	Unit
V _{DD}	Supply Voltage	2.7	-	5.5	V

5V ELECTRICAL CHARACTERISTICS

($V_{DD}=5.0V$, $V_{SS}=0V$, Attenuation=0dB, Gain=0dB, $f=1KHz$, $V_O=0dBV$; unless otherwise specified)

Symbol	Parameter	Conditions	Min	Typ	Max	Unit
DC Characteristics						
I_Q	Quiescent current		-	3.1	3.5	mA
A_{GA}	Gain/Attenuation	Max gain	-	15	-	dB
		Max attenuation	-	-79	-	dB
A_{STEP}	Gain/Attenuation step		-	1	-	dB
E_{GA}	Gain/Attenuation step error		-	0.3	-	dB
E_{IGA}	Interchannel gin/attenuation error		-	0.3	-	dB
CS	Channel separation		120	130	-	dB
MUTE	Mute Attenuation	$V_{in}=0dBV$	-	85	-	dB
R_{in}	Input Impedance		18	20	-	$k\Omega$
R_{out}	Output Impedance		-	50	100	Ω
AC Characteristics						
V_o	Maximum output voltage swing	$(THD+N)/S < 0.1\%$	-	4.8	-	Vpp
THD+N	Total harmonic distortion plus noise		-	-68	-63	dB
S/N	Signal-to-noise ratio	$V_O=4.5V_{pp}$	95	100	-	dB
Bus Characteristics						
V_{IH}	Bus high input level		-	-	$0.7V_{DD}$	V
V_{IL}	Bus low input level		$0.3V_{DD}$	-	-	V

3.3V ELECTRICAL CHARACTERISTICS

($V_{DD}=3.3V$, $V_{SS}=0V$, Attenuation=0dB, Gain=0dB, $f=1KHz$, $V_O=-3dBV$; unless otherwise specified)

Symbol	Parameter	Conditions	Min	Typ	Max	Unit
DC Characteristics						
I_Q	Quiescent current		-	2.8	3.3	mA
CS	Channel separation		90	110	-	dB
MUTE	Mute Attenuation	$V_{in}=-3dBV$	-	80	-	dB
AC Characteristics						
V_o	Maximum output voltage swing	$(THD+N)/S < 0.1\%$	-	3	-	Vpp
THD+N	Total harmonic distortion plus noise		-	-63	-58	dB
S/N	Signal-to-noise ratio		85	90	-	dB

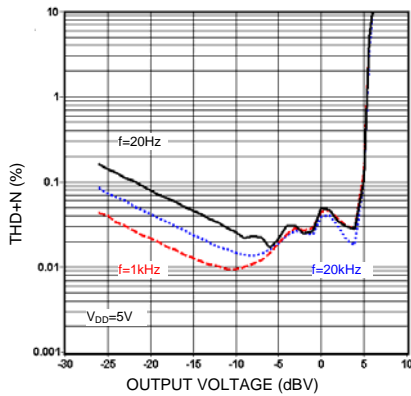
2.7V ELECTRICAL CHARACTERISTICS

($V_{DD}=2.7V$, $V_{SS}=0V$, Attenuation=0dB, Gain=0dB, $f=1KHz$, $V_O=-3dBV$; unless otherwise specified)

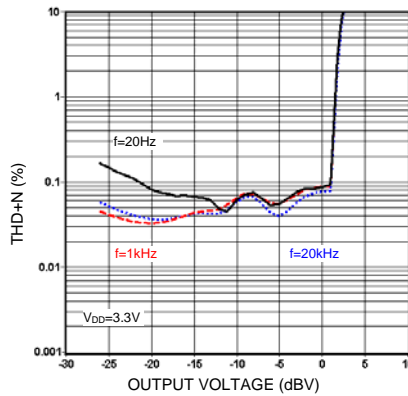
Symbol	Parameter	Conditions	Min	Typ	Max	Unit
DC Characteristics						
I_Q	Quiescent current		-	2.5	2.9	mA
CS	Channel separation		95	105	-	dB
MUTE	Mute Attenuation	$V_{in}=-3dBV$	-	80	-	dB
AC Characteristics						
V_o	Maximum output voltage swing	$(THD+N)/S < 0.3\%$	-	2	-	V _{pp}
THD+N	Total harmonic distortion plus noise		-	-60	-55	dB
S/N	Signal-to-noise ratio		85	90	-	dB

TYPICAL PERFORMANCE CHARACTERISTICS

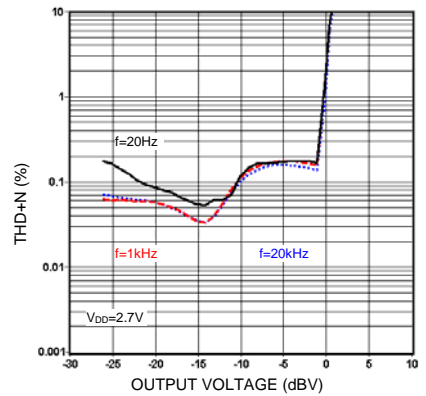
($T_a=25^\circ C$; unless otherwise specified)



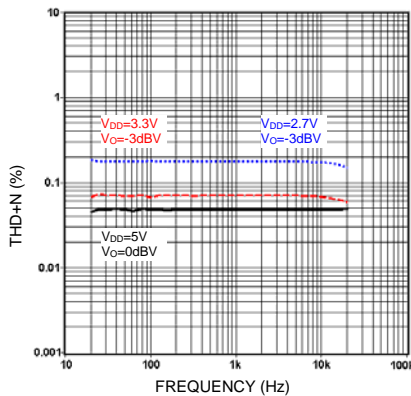
THD+N vs. output voltage



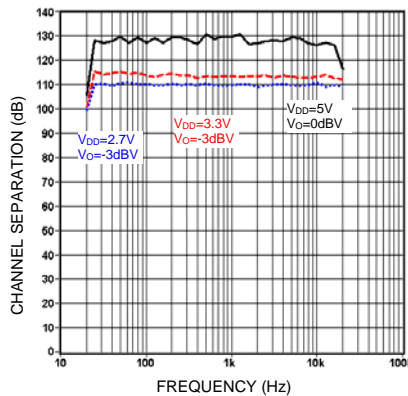
THD+N vs. output voltage



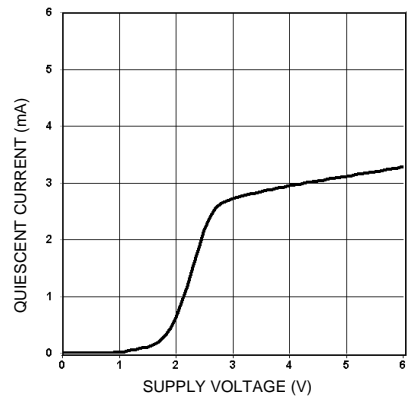
THD+N vs. output voltage



THD+N vs. frequency



Channel separation vs. frequency

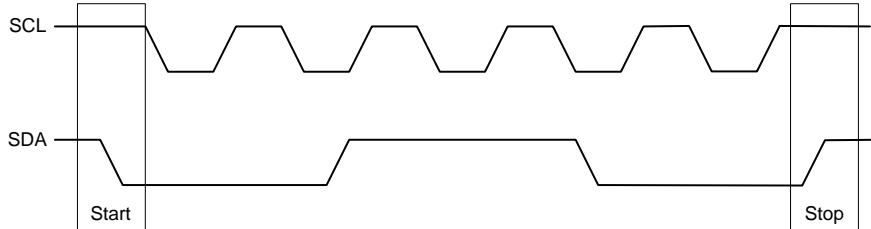


Quiescent current vs. supply voltage

I²C BUS DESCRIPTION

Start and stop conditions

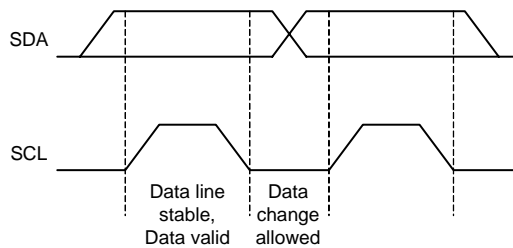
A start condition is activated when the SCL is set to HIGH and SDA shifts from HIGH to LOW state. The stop condition is activated when SCL is set to HIGH and SDA shifts from LOW to HIGH state. Please refer to the timing diagram below.



SCL : Serial Clock Line, SDA : Serial Data Line

Data validity

A data on the SDA line is considered valid and stable only when the SCL signal is in HIGH state. The HIGH and LOW states of the SDA line can only change when the SCL signal is LOW. Please refer to the figure below.

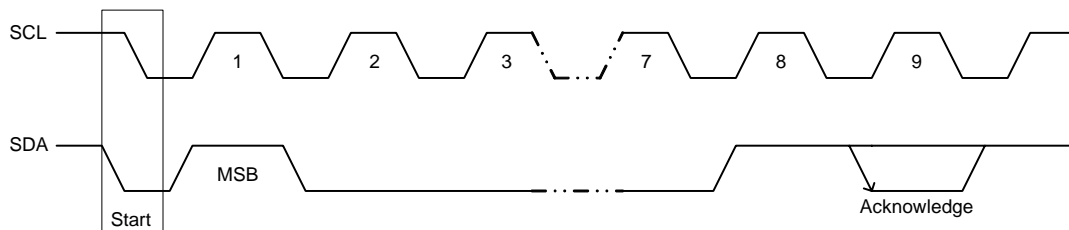


Byte format

Every byte transmitted to the SDA line consists of 8 bits. Each byte must be followed by an acknowledge bit. The MSB is transmitted first.

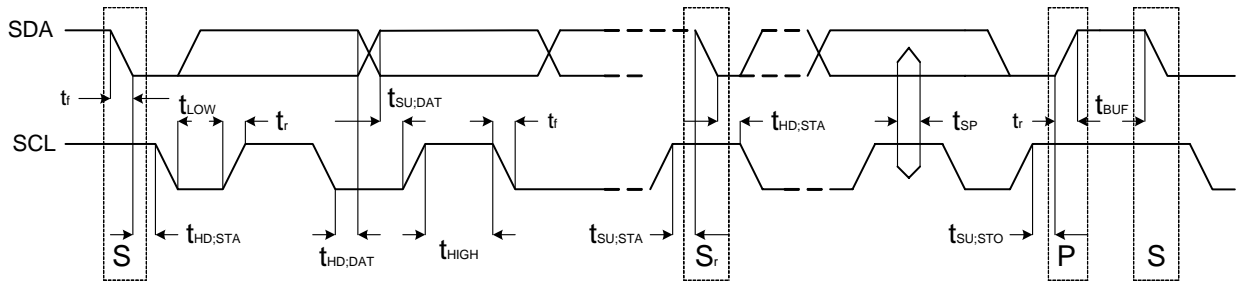
Acknowledge

During the Acknowledge clock pulse, the master (up) put a resistive HIGH level on the SDA line. The peripheral (audio processor) that acknowledges has to pull-down (LOW) the SDA line during the Acknowledge clock pulse so that the SDA line is in a stable LOW state during this clock pulse. Please refer to the diagram below.



The audio processor that has been addressed has to generate an Acknowledge after receiving each byte, otherwise, the SDA line will remain at the HIGH level during the ninth (9th) clock pulse. In this case, the master transmitter can generate the STOP information in order to abort the transfer.

Timing of SDA and SCL bus lines

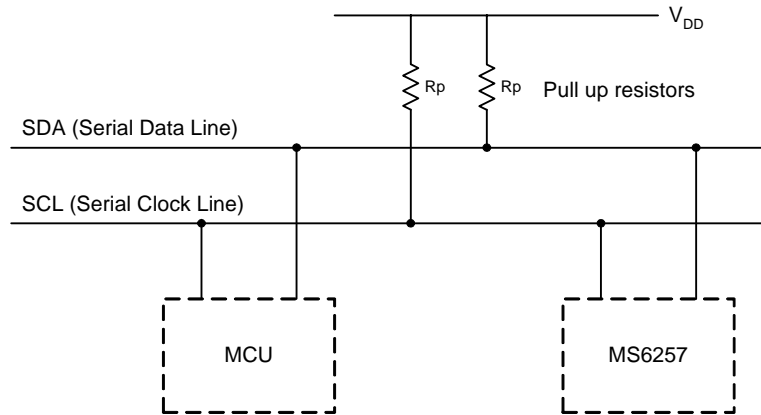


Standard mode

Symbol	Parameter	Min	Max	Unit
f_{SCL}	SCL clock frequency	0	100	kHz
$t_{HD:STA}$	Hold time (repeated) START condition. After this period, the first clock pulse is generated	4.0	-	us
t_{LOW}	LOW period of the SCL clock	4.7	-	us
t_{HIGH}	HIGH period of the SCL clock	4.0	-	us
$t_{SU:STA}$	Set-up time for a repeated START condition	4.7	-	us
$t_{HD:DAT}$	Data hold time: For I ² C-bus devices	0	3.45	us
$t_{SU:DAT}$	Data-set-up time	250	-	ns
t_r	Rise time of both SDA and SCL signals	-	1000	ns
t_f	Fall time of both SDA and SCL signals	-	300	ns
$t_{SU:STO}$	Set-up time for STOP condition	4.0	-	us
t_{BUF}	Bus free time between a STOP and START condition	4.7	-	us
C_b	Capacitive load for each bus line	-	400	pF
V_{nL}	Noise margin at the LOW level for each connected device (including hysteresis)	$0.1V_{DD}$	-	V
V_{nH}	Noise margin at the HIGH level for each connected device (including hysteresis)	$0.2V_{DD}$	-	V

BUS INTERFACE

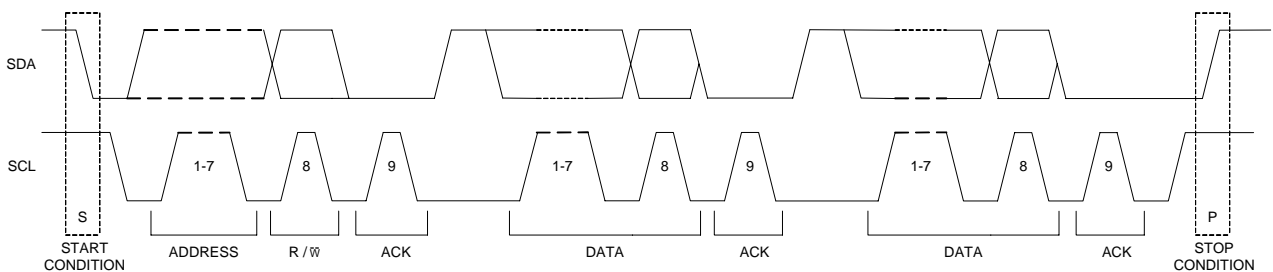
Data are transmitted to and from the MCU to the MS6257 via the SDA and SCL. The SDA and SCL make up the BUS interface. It should be noted that pull-up resistors must be connected to the positive supply voltage.



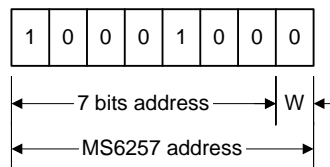
Interface protocol

The format consists of the following

- A START condition
- A chip address byte including the MS6257 address. (7bits)
- The 8th bit of the byte must be "0".(write=0, read=1)
- MS6257 must always acknowledge the end of each transmitted byte.
- A data sequence (N-bytes + Acknowledge)
- A STOP condition



Protocol Address



Data bytes description

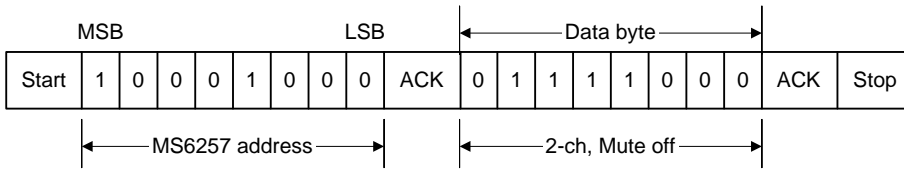
Function bits								
MSB							LSB	Function description
1	1	1	1	1	1	1	1	Function OFF (-79dB)
1	1	0	1	A3	A2	A1	A0	2-channel, -1dB/step
1	1	1	0	0	B2	B1	B0	2-channel, -10dB/step
1	0	1	0	A3	A2	A1	A0	Left channel, -1dB/step
1	0	1	1	0	B2	B1	B0	Left channel, -10dB/step
0	0	1	0	A3	A2	A1	A0	Right channel, -1dB/step
0	0	1	1	0	B2	B1	B0	Right channel, -10dB/step
1	1	0	0	C3	C2	C1	C0	2-channel, +1dB/step
0	1	1	0	C3	C2	C1	C0	Left channel, +1dB/step
0	1	0	1	C3	C2	C1	C0	Right channel, +1dB/step
0	1	1	1	1	0	0	M	2-channel, MUTE When M=1, MUTE=ON When M=0, MUTE=OFF

Gain / Attenuation bits						
A3	A2	A1	A0	Gain / Attenuation value (dB)		
-	B2	B1	B0	A	B	C
C3	C2	C1	C0			
0	0	0	0	0	0	0
0	0	0	1	-1	-10	+1
0	0	1	0	-2	-20	+2
0	0	1	1	-3	-30	+3
0	1	0	0	-4	-40	+4
0	1	0	1	-5	-50	+5
0	1	1	0	-6	-60	+6
0	1	1	1	-7	-70	+7
1	0	0	0	-8	-	+8
1	0	0	1	-9	-	+9
1	0	1	0	-	-	+10
1	0	1	1	-	-	+11
1	1	0	0	-	-	+12
1	1	0	1	-	-	+13
1	1	1	0	-	-	+14
1	1	1	1	-	-	+15

1. Where Ax=-1dB/step, Bx=-10dB/step, Cx=+1dB/step

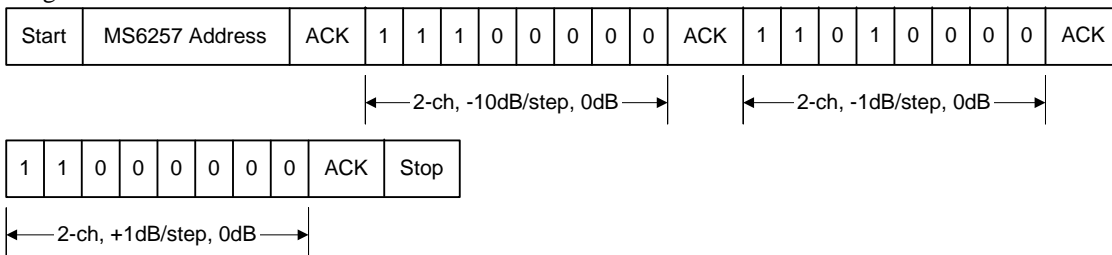
Example

Mute off



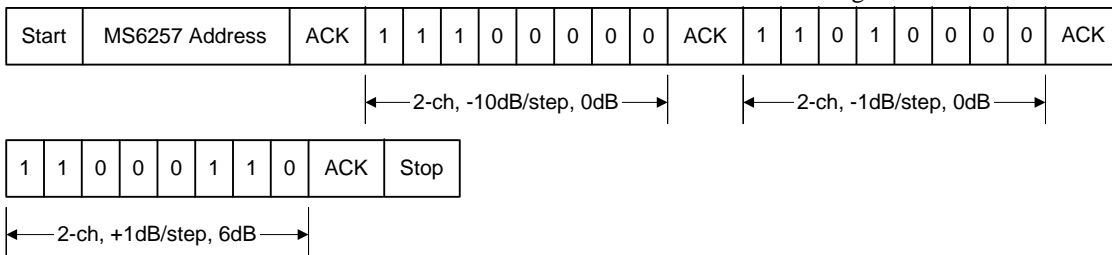
The initial condition is -79dB and mute on when power up. The first command must disable the mute function.

Set gain of 2 channel at 0dB



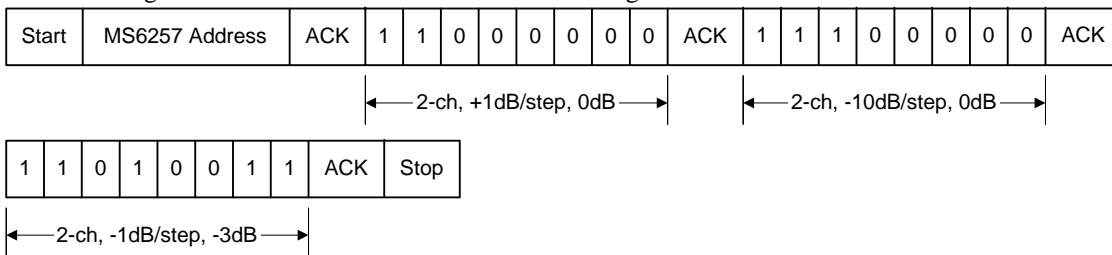
Set gain of 2 channel at 6dB

The value of attenuation must be set zero when the volume from attenuation to gain.

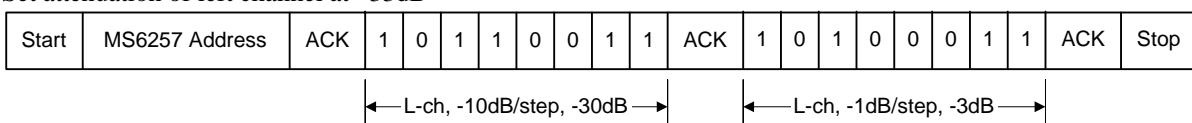


Set gain of 2 channel at -3dB

The value of gain must be set zero when the volume from gain to attenuation.

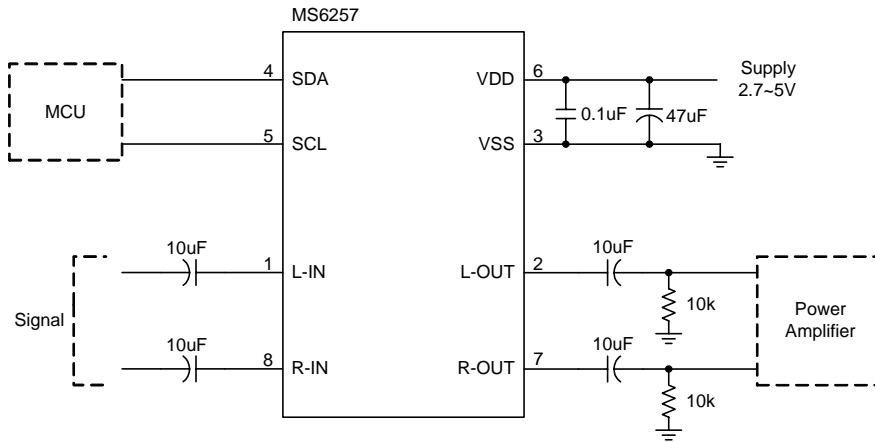


Set attenuation of left channel at -33dB

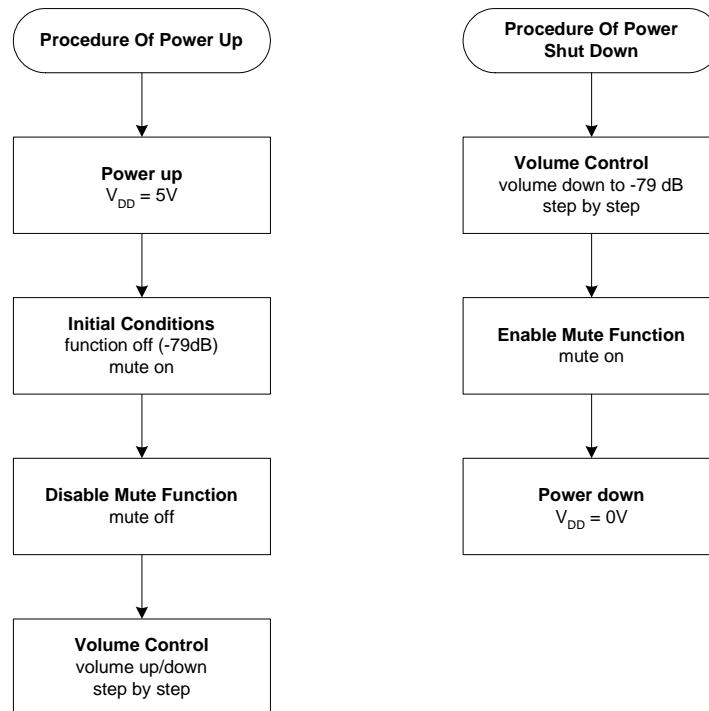


APPLICATION INFORMATION

Basic application example



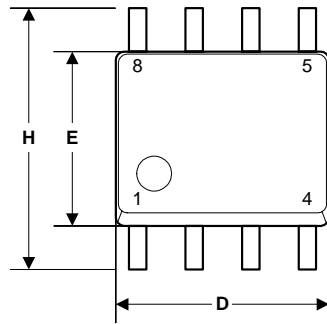
Basic application flow chart



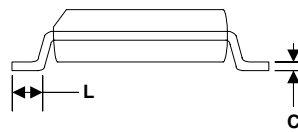
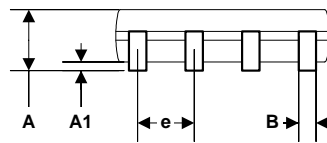
1. The initial condition is -79dB and mute on when power up.

EXTERNAL DIMENSIONS

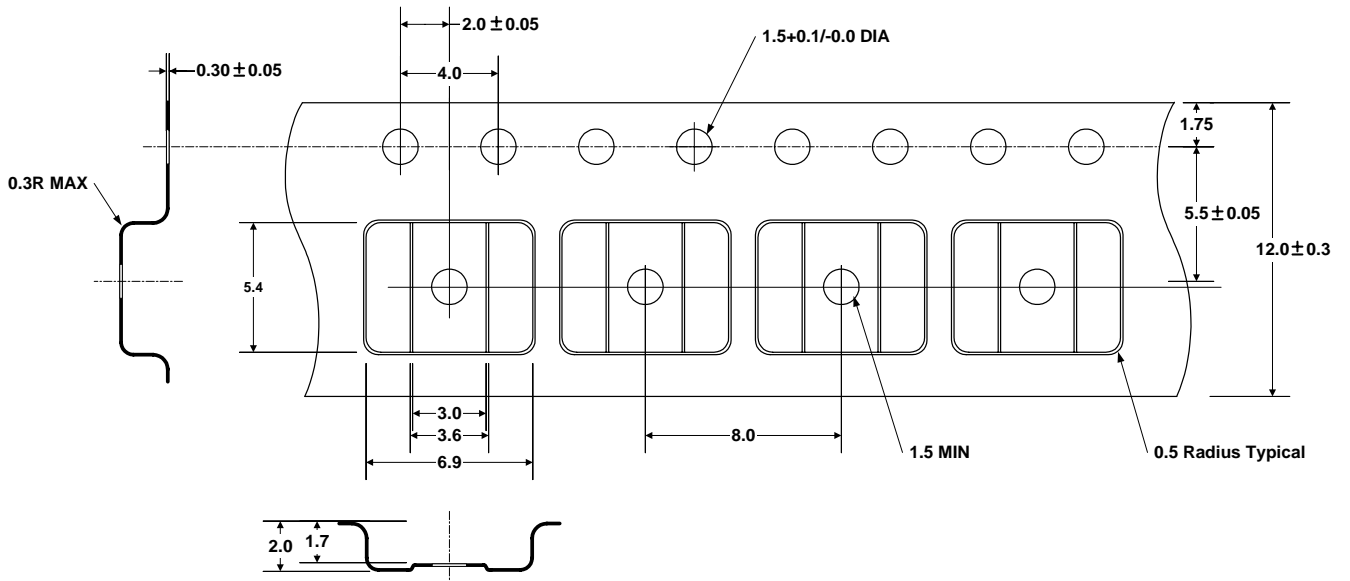
SOP8 package



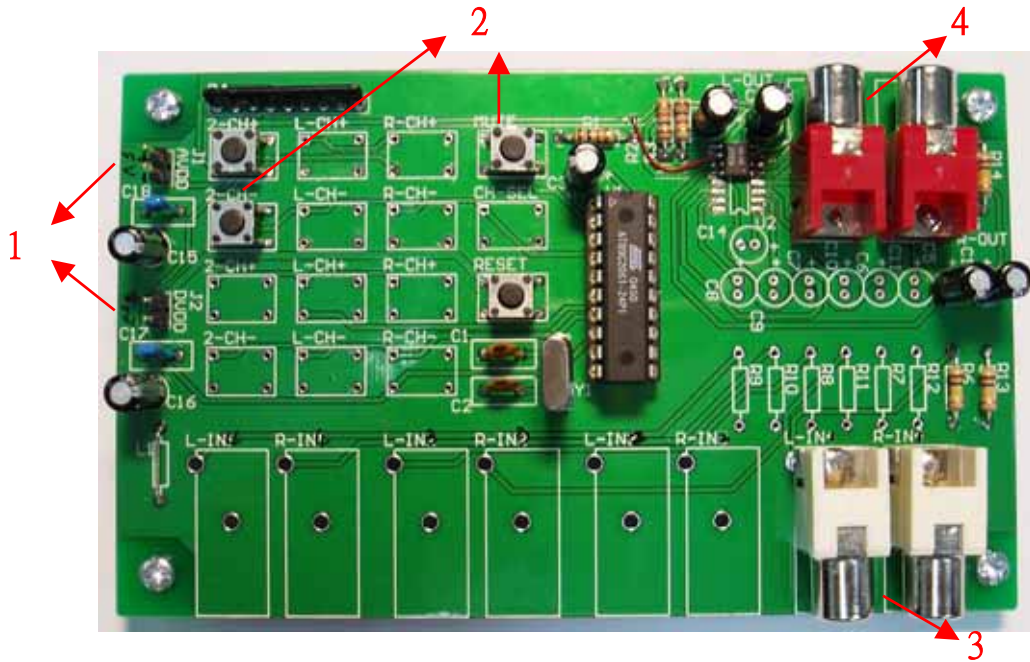
Symbol	Dimension in mm		Dimension in inch	
	Min	Max	Min	Max
A	1.35	1.75	0.0532	0.0688
A1	0.10	0.25	0.0040	0.0098
B	0.33	0.51	0.013	0.020
C	0.19	0.25	0.0075	0.0098
D	4.80	5.00	0.1890	0.1968
H	5.80	6.20	0.2284	0.2440
E	3.80	4.00	0.1497	0.1574
e	1.27 BSC		0.050 BSC	
L	0.40	1.27	0.016	0.050



TAPE AND REEL (Unit : mm)



DEMO BOARD



Label 1: Supply Voltage

The AVDD and DVDD should be the same supply voltage, the supply range is 2.7~5.5 VDC.

Label 2: Control Switch

2-CH+ : The volume-up switch for stereo channel

The volume increase by +1dB as the switch is pressed once, the maximum value is up to +15dB.
The default value is 0dB on initial status.
L-channel and R-channel are active synchronic.

2-CH- : The volume-down switch for stereo channel

The volume decrease by -1dB as the switch is pressed once, the minimum value is up to -79dB.
L-channel and R-channel are active synchronic.

MUTE : Press the switch once to enter mute on or mute off.

The default status is mute off on initial status.

RESET : Reset MCU controller, the system will be loaded default value.

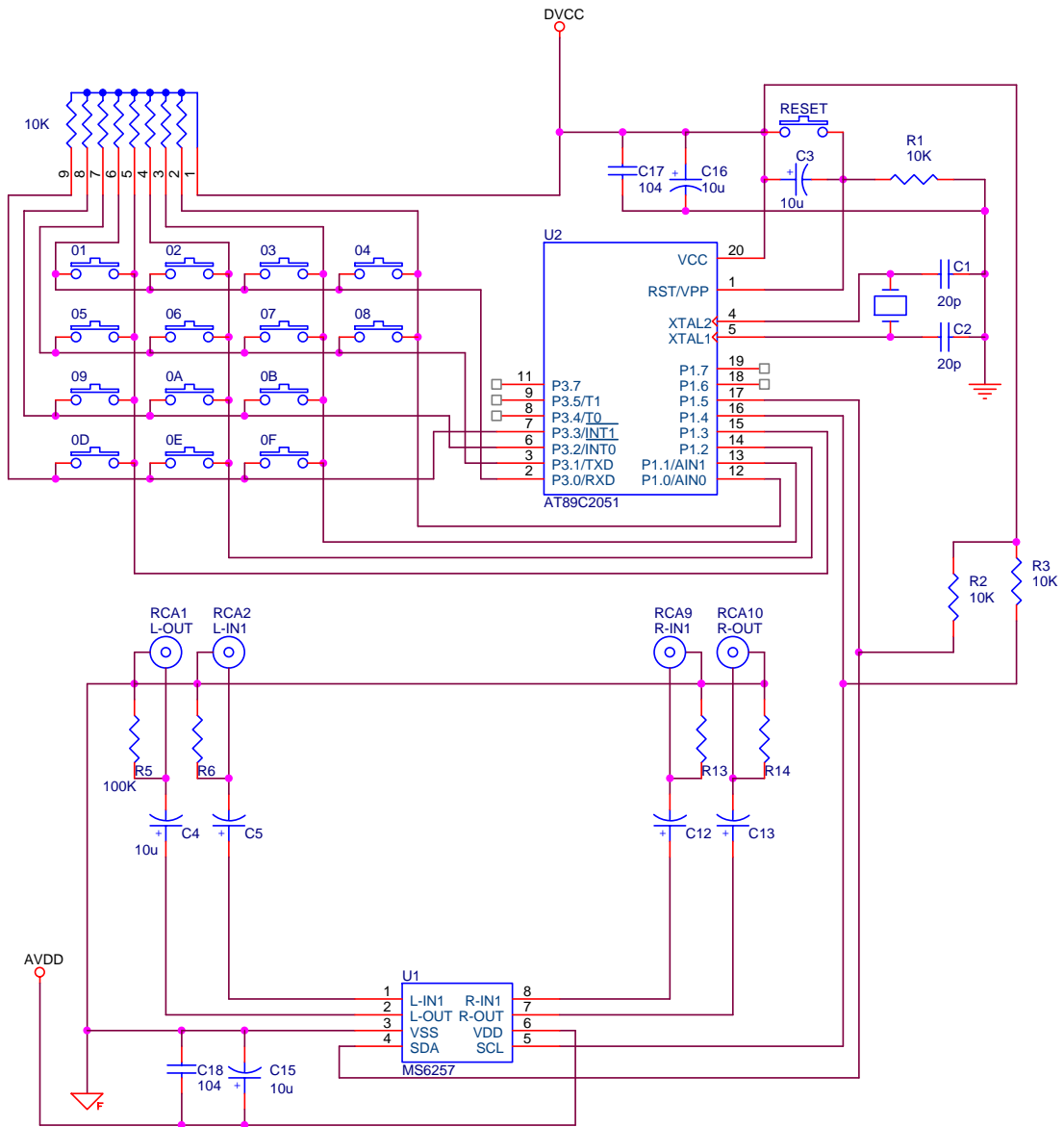
Label 3: Input section

Please input stereo audio signal, as music or sine wave.

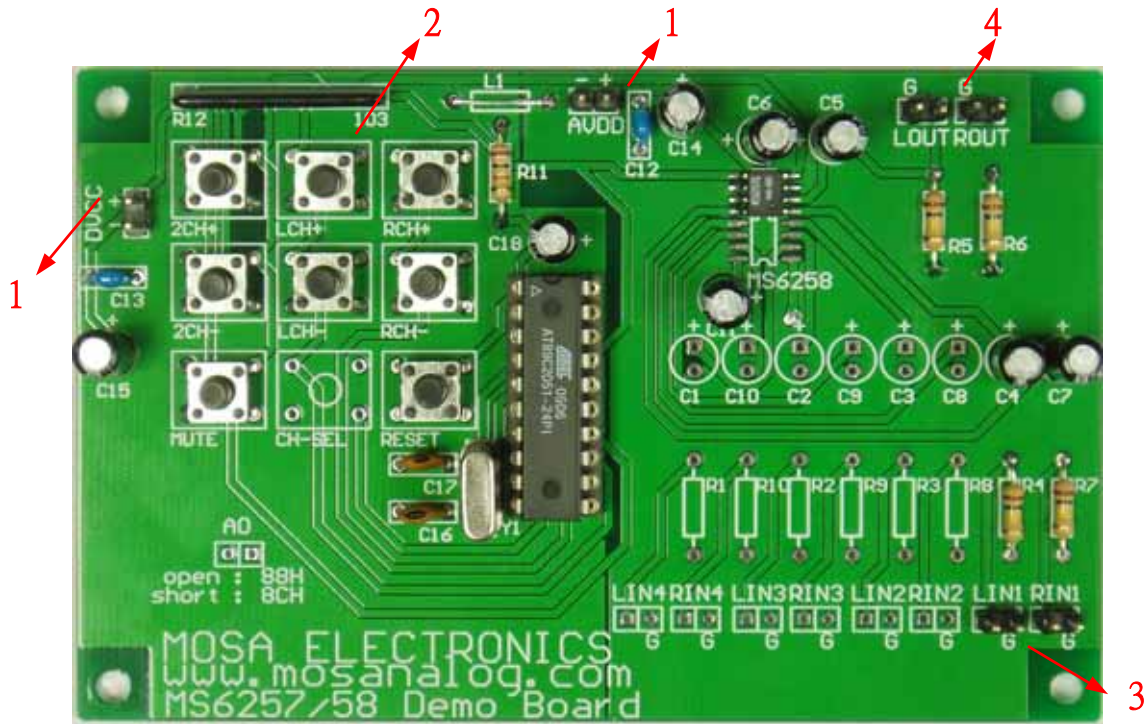
Label 4: Output section

Please connected to a post-power-amplifier, as stereo speaker.

Circuit



DEMO BOARD



Label 1: Supply Voltage

The AVDD and DVDD should be the same supply voltage, the supply range is 2.7~5.5 VDC.

Label 2: Control Switch

2-CH+ : The volume-up switch for stereo channel

The volume increase by +1dB as the switch is pressed once, the maximum value is up to +15dB.

The default value is 0dB on initial status.

L-channel and R-channel are active synchronic.

2-CH- : The volume-down switch for stereo channel

The volume decrease by -1dB as the switch is pressed once, the minimum value is up to -79dB.

L-channel and R-channel are active synchronic.

LCH+ : The volume-up switch for left channel

The volume increase by +1dB as the switch is pressed once, the maximum value is up to +15dB.

LCH- : The volume-down switch for left channel

The volume decrease by -1dB as the switch is pressed once, the minimum value is up to -79dB.

RCH+ : The volume-up switch for right channel

The volume increase by +1dB as the switch is pressed once, the maximum value is up to +15dB.

RCH- : The volume-down switch for right channel

The volume decrease by -1dB as the switch is pressed once, the minimum value is up to -79dB.

MUTE : Press the switch once to enter mute on or mute off.

The default status is mute off on initial status.

RESET : Reset MCU controller, the system will be loaded default value.

Label 3: Input section

Please input stereo audio signal, as music or sine wave.

Label 4: Output section

Please connected to a post-power-amplifier, as stereo speaker.

Circuit

